

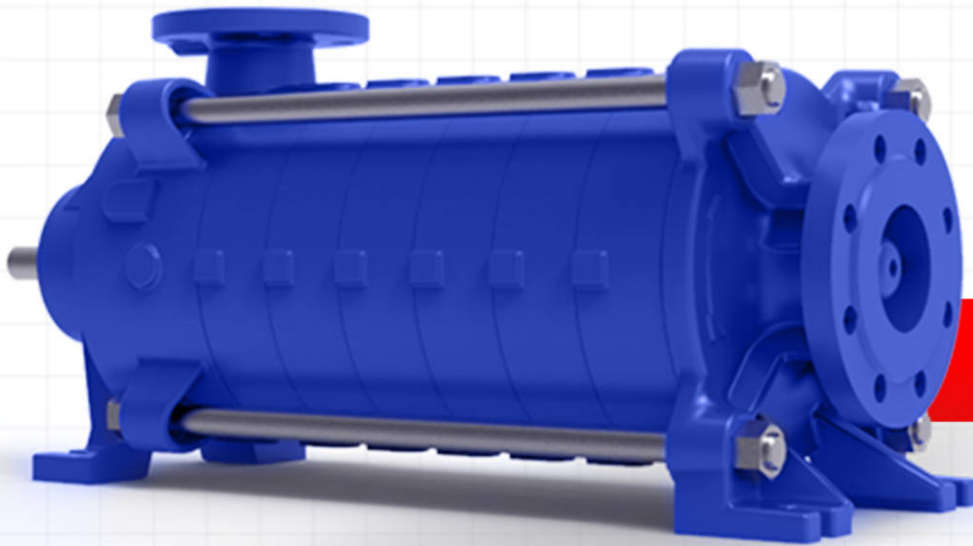


GOL PUMPS

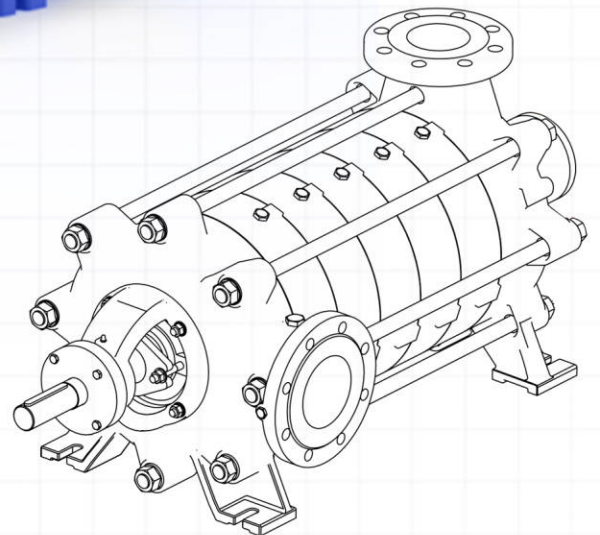
www.golpumps.com

info@golpumps.com

Horizontal Multi Stage Centrifugal Pump



ARS Series



GENERAL INFORMATION

Discharge Flange	DN 25 - DN 250
Capacity	up to 1000 m ³ /h
Head	up to 600 m
Working Temperature	From -25 °C to + 140 °C*
Casing Pressure (Pmax)	30 bar (63 bar)*
Design Type	BB4

(Pmax: Suction Pressure + Shut off Head)

(*) Depending on the type of liquid, operating temperature and pressure. The pump material changes. Please contact our company for detailed information.

Transferable Liquids

- Clean or slightly contaminated low viscosity liquids without solid & fibrous particles.

Shaft Sealing

- In standard production, it is used as soft packing up to 110 °C and soft packing together with refrigerated packing boxes between 110 °C and 140 °C.
- Mechanical seal pumps are also available upon request.

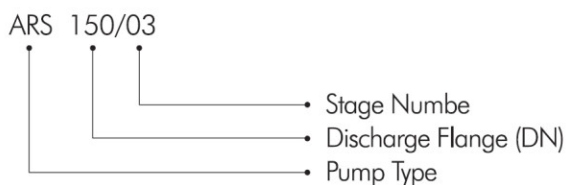
Applications

Water Treatment and Pressurization	Power Plants
Heating Ventilating and Air Conditioning	Oil Industry
Agricultural Irrigation and Drainage	Chemical Industry
Food and Beverage Industry	Mining
Iron and Steel Industry	Marine
Building System	Fire Fighting

Design Features

- Centrifugal pumps with horizontal shaft, split body, diffuser, multistage, closed impeller.
- 11 models from DN 25 to DN 250 discharge flange diameter.
- Suction flanges according EN 1092 - 2 / PN 16 and discharge flanges to EN 1092 - 2 / PN 40 (PN 63). (flanges in pumps with stainless steel body material according to EN 1092-1 standard pressure class.)
- In standard production, the suction flange is on the coupling side and on the right side, the discharge flange at the other end and top (R 4/2). If flange positions other than standard manufacture are required, this request must be specified at the time of order.
- All impellers are balanced dynamically or statically in accordance with ISO 1940 class 6.3.
- Axial force is balanced by impeller balancing holes system.
- The direction of rotation is clockwise when viewed from the motor side.
- ARS type pumps use "grease lubricated" bearings as standard.

PumpCode



MATERIAL OPTIONS

Part List	0.6025	0.7040	1.7043	1.0619	1.4308	1.4309	1.4408	1.4409	1.4500	1.4517	1.4469	1.4317	1.4008	2.1050.01	2.1050.01	2.1096.01	1.0503	1.4021	1.4021+QT	1.4301	1.4404	1.4460	1.4462	
Suction Body	●	○	○		○	○	○	○	○	○	○	○	○	○										
Discharge Body	●	○	○		○	○	○	○	○	○	○	○	○	○										
Stage Body	●	○	○		○	○	○	○	○	○	○	○	○	○										
Diffuser	●	○	○	○	○	○	○	○	○	○	○	○	○	○	○	○								
Impeller	●	○	○	○	○	○	○	○	○	○	○	○	○	○	○	○							○	
Shaft																		●	○	○	○			○
Bearing Box	●	○	○	○	○	○	○	○																
Wear ring	○	○	○	○	○	○	○	○	○	○	○	○	○	○	○	○								
Shaft Sleeve																	●	○	○	○	○			○
Seal Sleeve																	●	○	○	○	○			○
Stage Sleeve																	●	○	○	○	○			○
Mech. Seal (*)	EN 12756 / DIN 24250																							

(*) Options: Different brand and type mechanical seal can be use can according to customer request.

- Standard Manufacturing
- Optional

DESCRIPTIONS

☒ DIN

☒ EN

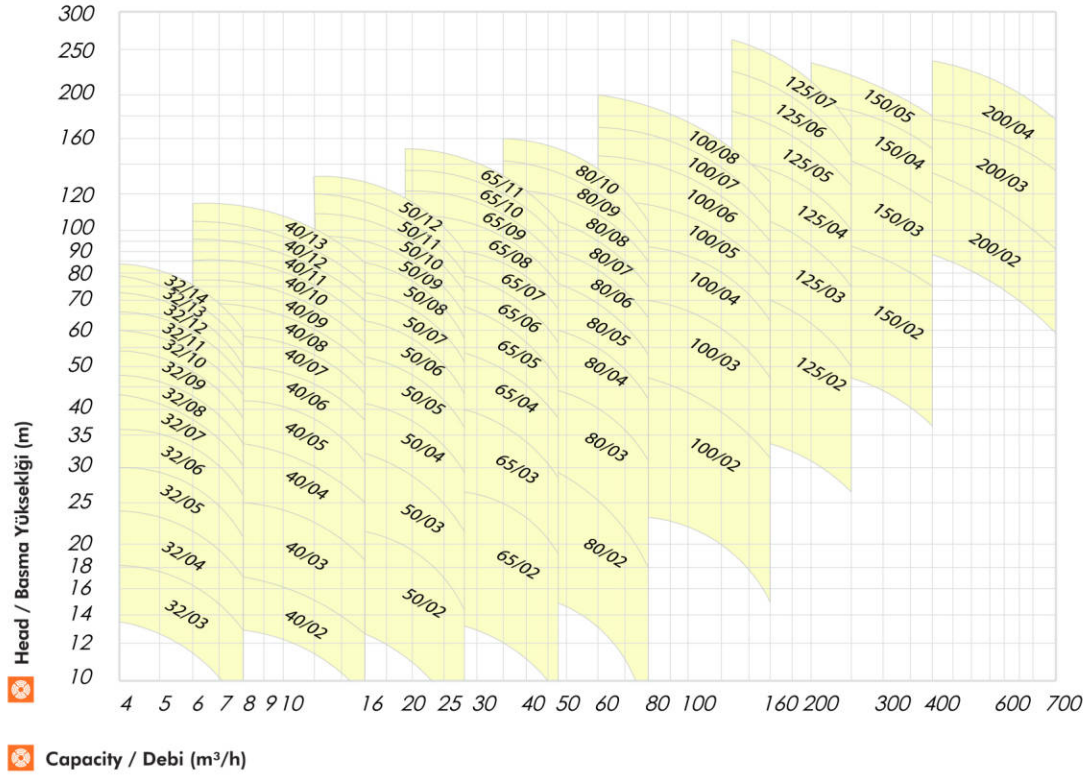
☒ AISI/SAE/ASTM

	DIN	EN	AISI/SAE/ASTM
Cast Iron	0.6025	EN-GJL-250 (GG 25)	A 48 Class 40-B
Ductile Iron Casting	0.7040	EN-GJS-400-18-LT (GGG 40)	A 536 60-40-18
Ductile Iron Casting	0.7043	EN-GJS-400-18-LT (GGG 40.3)	A 536 60-40-18
Steel Casting	1.0619	GP 240 GHGS-C25	A216 WCB
Chrome Nickel Steel Casting	1.4308	G-X5 Cr Ni 19-10	A 351 CF8
Chrome Nickel Steel Casting (Low Carbon)	1.4309	G-X2 Cr Ni 19-11	A 351 CF3
Chrome Nickel Molybdenum Steel Casting	1.4408	G-X5 Cr Ni Mo 19-11-2	A 351 CF8M
Chrome Nickel Molybdenum Steel Casting (L.C.)	1.4409	G-X2 Cr Ni Mo 19-11-2	A 351 CF3M
Austenitic Steel Casting	1.4500	G-X7 Cr Ni Mo Cu N 25-6-3-3	A 351 CN7M
Austenitic - Ferritic Steel Casting (Duplex)	1.4517	G-X2 Cr Ni Mo Cu N 25-6-3-3	A 890 CD4MCuN
Austenitic - Ferritic Steel Casting (S.D.)	1.4469	G-X2 Cr Ni Mo N 26-7-4	A 890 CE3MN
Martensitic Stainless Steel Casting	1.4317	G-X4 Cr Ni 13-4	A 352 CA6NM
Martensitic Stainless Steel Casting	1.4008	G-X7 Cr Ni Mo 12-1	A 217 CA15
Bronze Casting (Tinned)	2.1050.01	G-Cu Sn 10	B 427 C90700
Bronze Casting (Nickel Alloy)	2.0975.01	G-Cu Al10 Ni	B 148 C95500
Bronze Casting (Leaded)	2.1096.01	G-Cu Sn 5 Zn Pb	B 584 C83600
Carbon Steel	1.0503	C 45	AISI 1045
Chromium Steel	1.4021	X20 Cr13	A 276 Type 420
Chrome Steel (Heat Treatment)	1.4021	X20 Cr13	A 276 Type 420+QT
Chrome Nickel Steel	1.4301	X5 Cr Ni 18-10	A 276 Type 304
Chrome Nickel Molybdenum Steel (L.C.)	1.4404	X2 Cr Ni Mo 17-12-2	A 276 Type 316L
Duplex (Austenitic-Ferritic) Steel	1.4460	X3 Cr Ni Mo N 27-5-2	AISI 329
Duplex (Austenitic-Ferritic) Steel	1.4462	X2 Cr Ni Mo N 22-5-3	UNS S32205

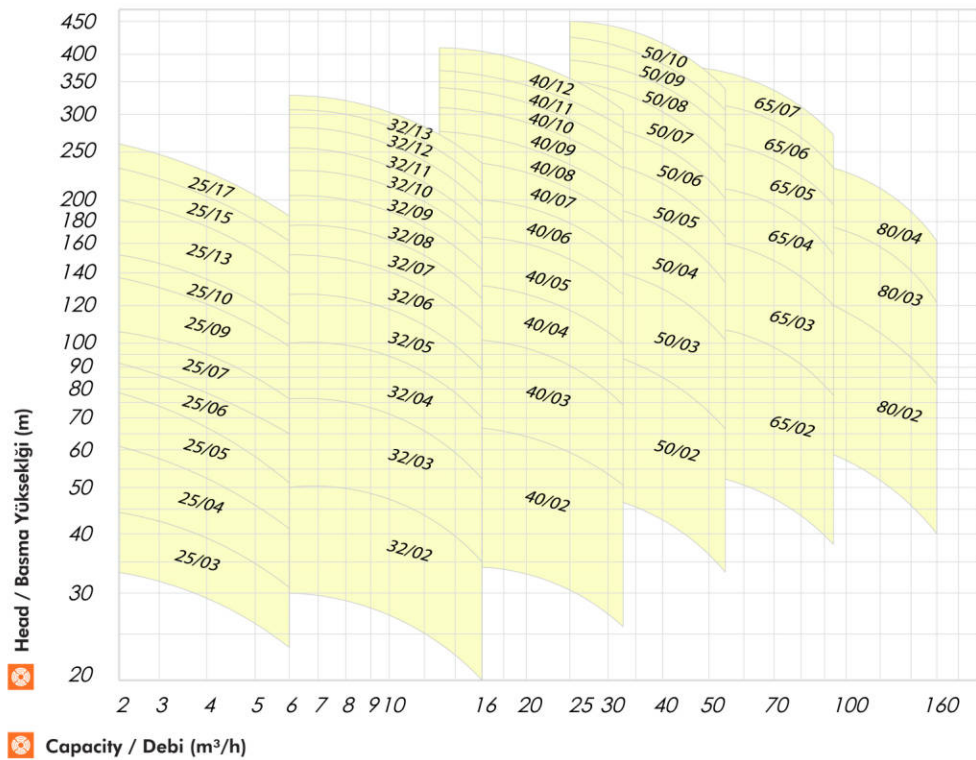


SELECTION CHARTS

1450 rpm / (d/d) (50 Hz)



2900 rpm / (d/d) (50 Hz)

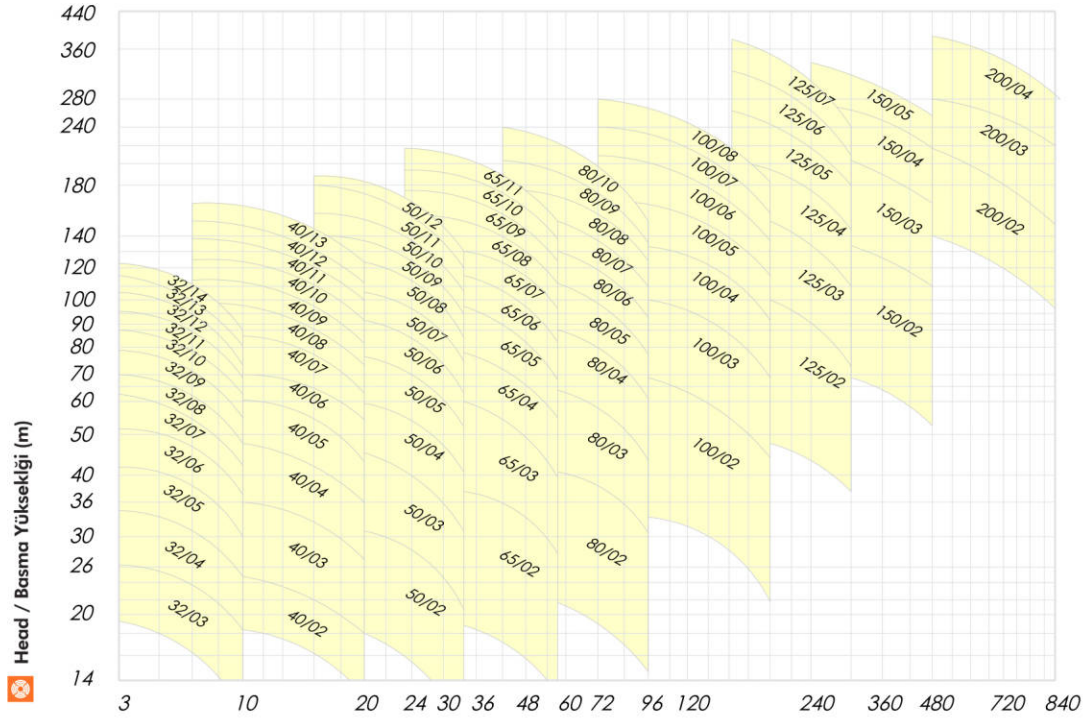


○ For detailed curves, use our selection program.



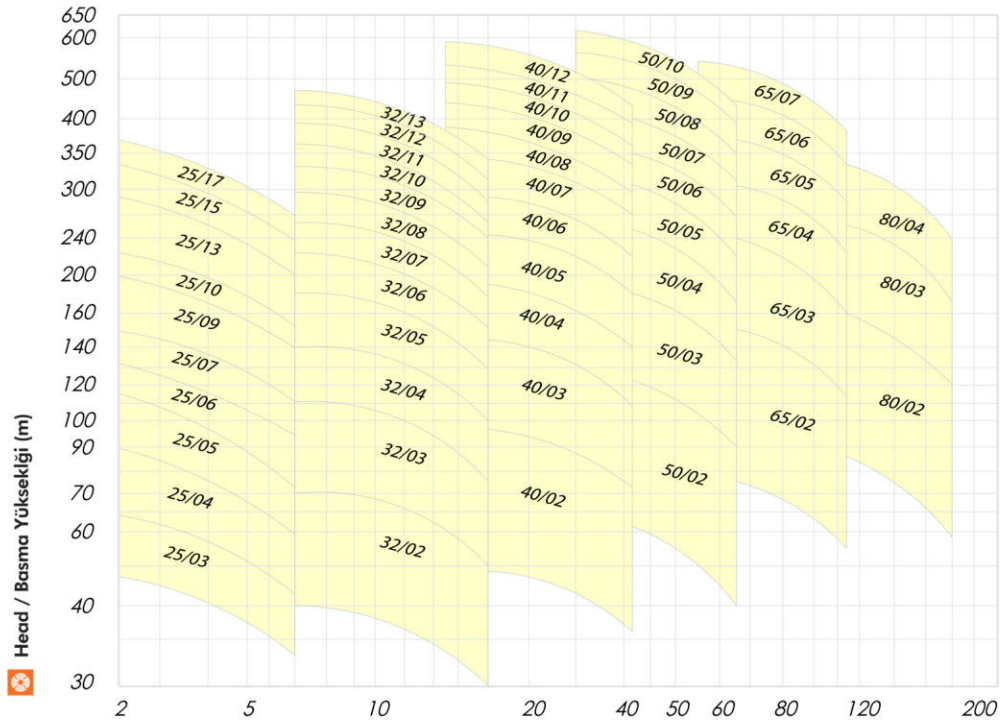
SELECTION CHARTS

1750 rpm / (d/d) (60 Hz)



Capacity / Debi (m³/h)

3500 rpm / (d/d) (60 Hz)



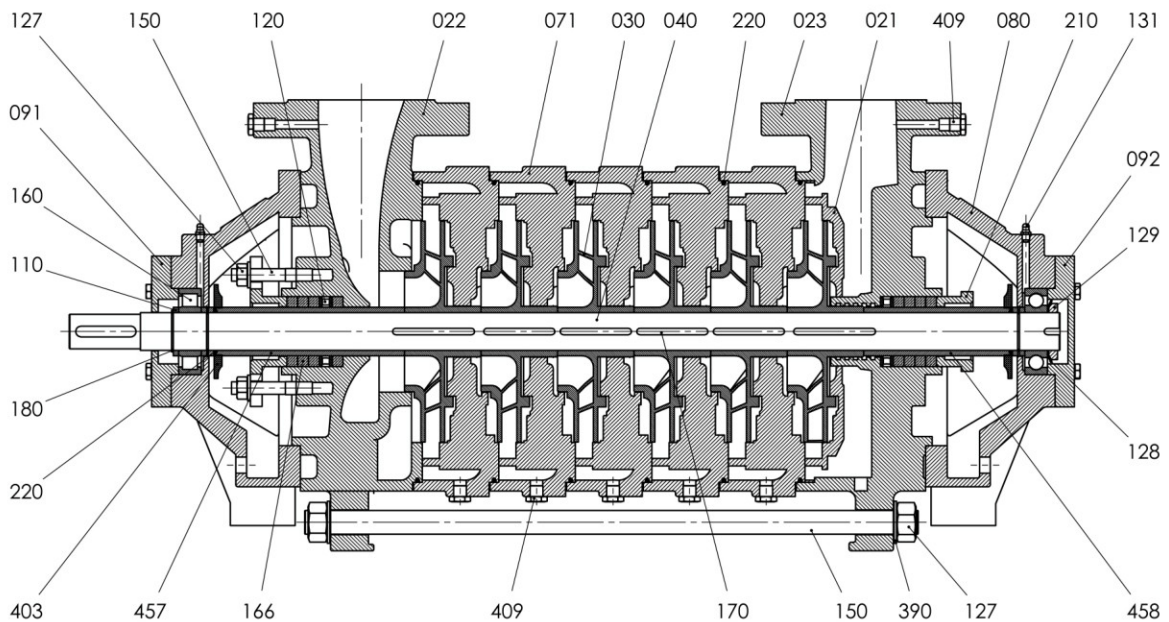
Capacity / Debi (m³/h)

For detailed curves, use our selection program.



SECTIONAL VIEW

ARS 25...65



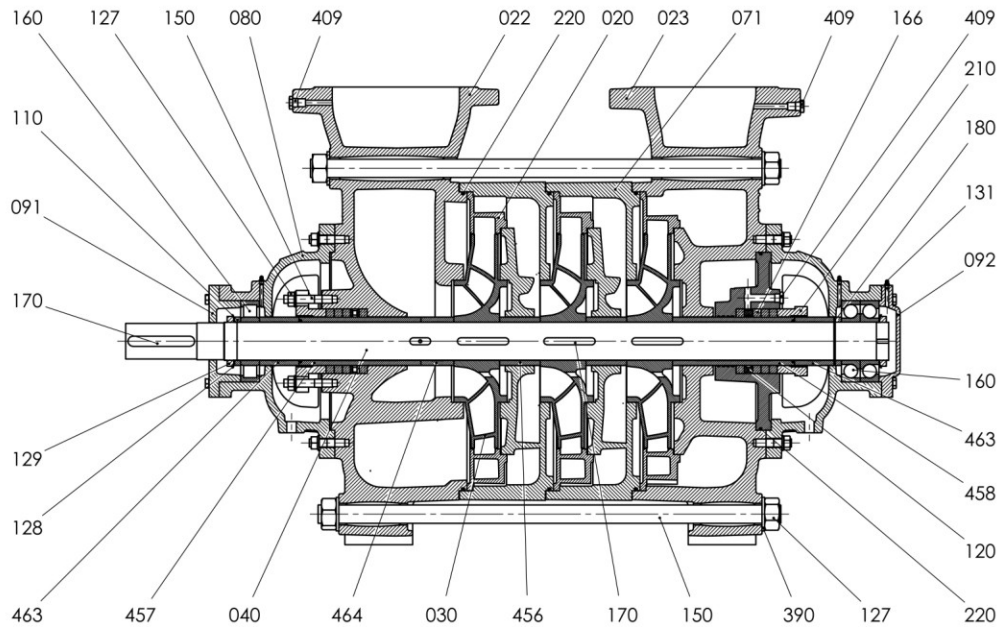
Part List

Discharge Diffuser	021
Suction Body	022
Discharge Body	023
Impeller	030
Shaft	040
Stage Body	071
Bearing Housing	080
Bearing Cover (Coupling)	091
Bearing Cover (Outside)	092
Bearing Setting Sleeve	110
Flushing Ring	120
Nut	127
Protection Sheet	128
Nut	129
Grease Nipple	131
Casing Tiebolt	150
Bearing	160
Soft Packing	166
Pin	170
Ring	180
Connection Support	210
O-Ring	220
Washer	390
Throw Protection	403
Bolt	409
Seal Sleeve (Suction)	457
Seal Sleeve (Discharge)	458



SECTIONAL VIEW

ARS 80...200



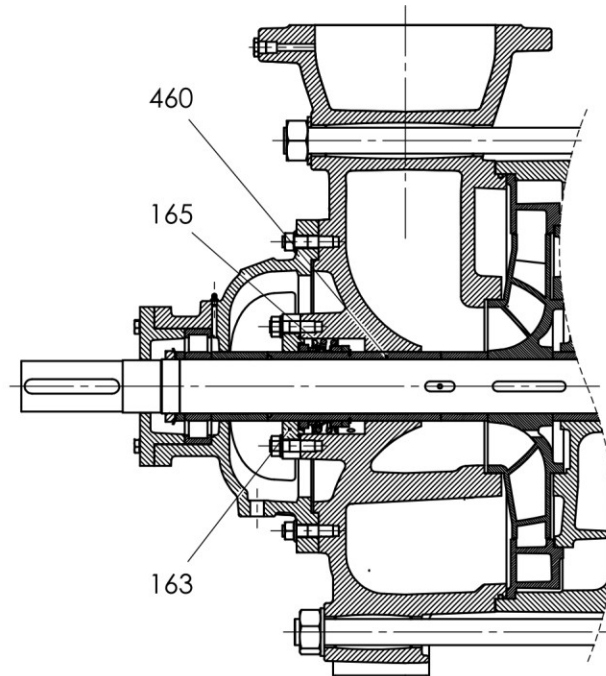
Part List

Diffuser	020
Suction Body	022
Discharge Body	023
Impeller	030
Shaft	040
Stage Body	071
Bearing Housing	080
Bearing Cover (Coupling)	091
Bearing Cover (Outside)	092
Bearing Setting Sleeve	110
Flushing Ring	120
Nut	127
Protection Sheet	128
Nut	129
Grease Nipple	131
Casing Tiebolt	150
Bearing	160
Soft Packing	166
Pin	170
Ring	180
Connection Support	210
O-Ring	220
Washer	390
Bolt	409
Impeller Stage Sleeve	456
Seal Sleeve (Suction)	457
Seal Sleeve (Discharge)	458
Setting Sleeve (Suction & Discharge)	463
Impeller Setting Sleeve	464



SECTIONAL VIEW

 ARS



 Part List

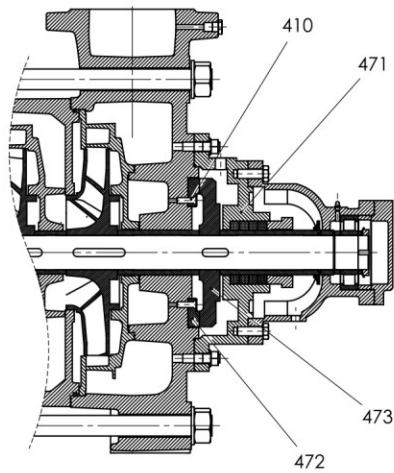
Mechanical Seal Cover	163
Mechanical Seal	165
Seal Sleeve	460



SECTIONAL VIEW



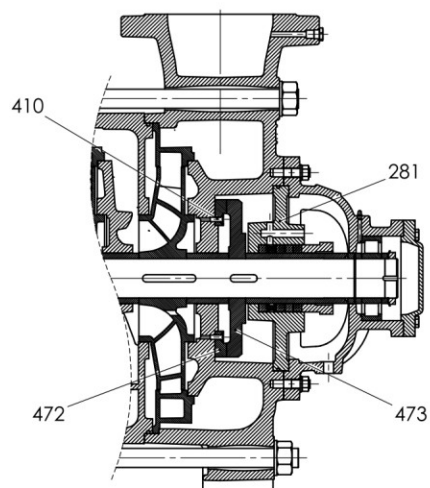
ARS-DD 65...150



Part List

Bolt	410
Disc Body	471
Disc (Stable)	472
Disc	473

ARS-DD 200



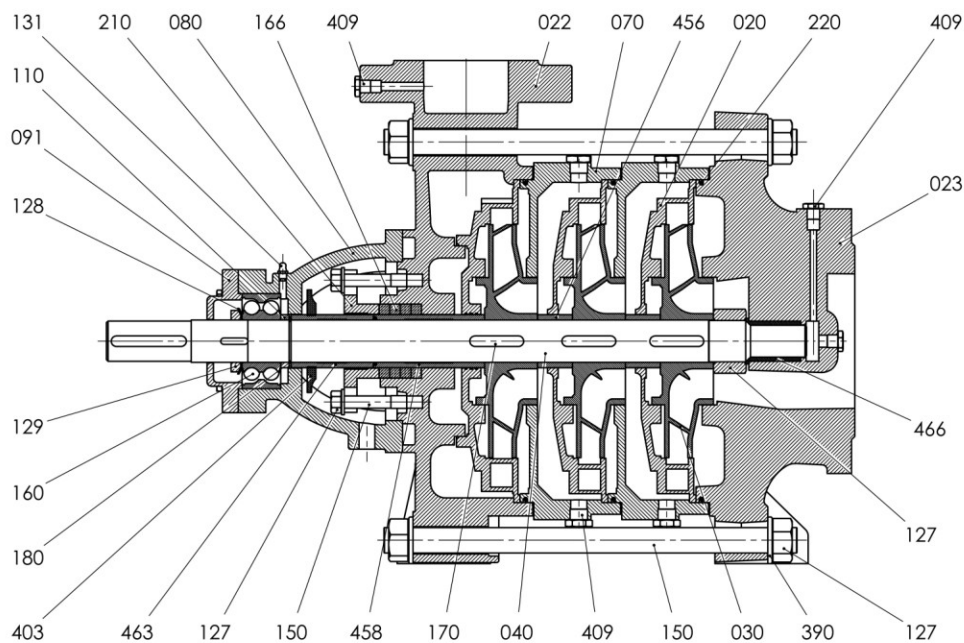
Part List

Seal Box	281
Bolt	410
Disc (Stable)	472
Disc	473

SECTIONAL VIEW



ARS-U



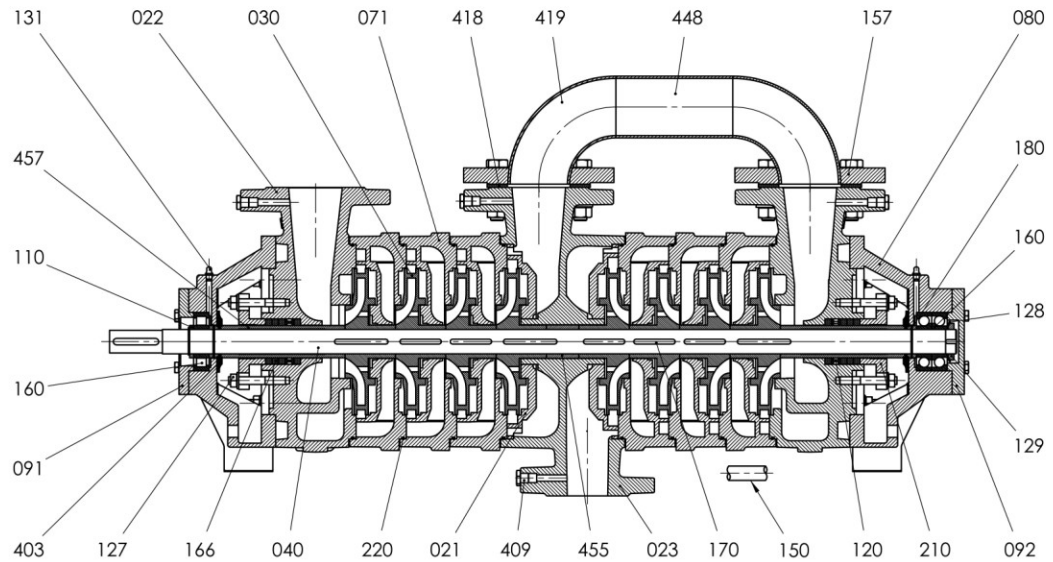
Part List

Diffuser	020
Suction Body	023
Discharge Body	022
Impeller	030
Shaft	040
Stage Body	070
Bearing Housing	080
Bearing Cover (Coupling)	091
Bearing Setting Sleeve	110
Nut	127
Protection Sheet	128
Nut	129
Grease Nipple	131
Casing Tiebolt	150
Bearing	160
Soft Packing	166
Pin	170
Ring	180
Connection Support	210
O-Ring	220
Washer	390
Throw Protection	403
Bolt	409
Impeller Stage Sleeve	456
Seal Sleeve (Discharge)	458
Setting Sleeve (Suction & Discharge)	463
Suction Housing	466

SECTIONAL VIEW



ARS-KC



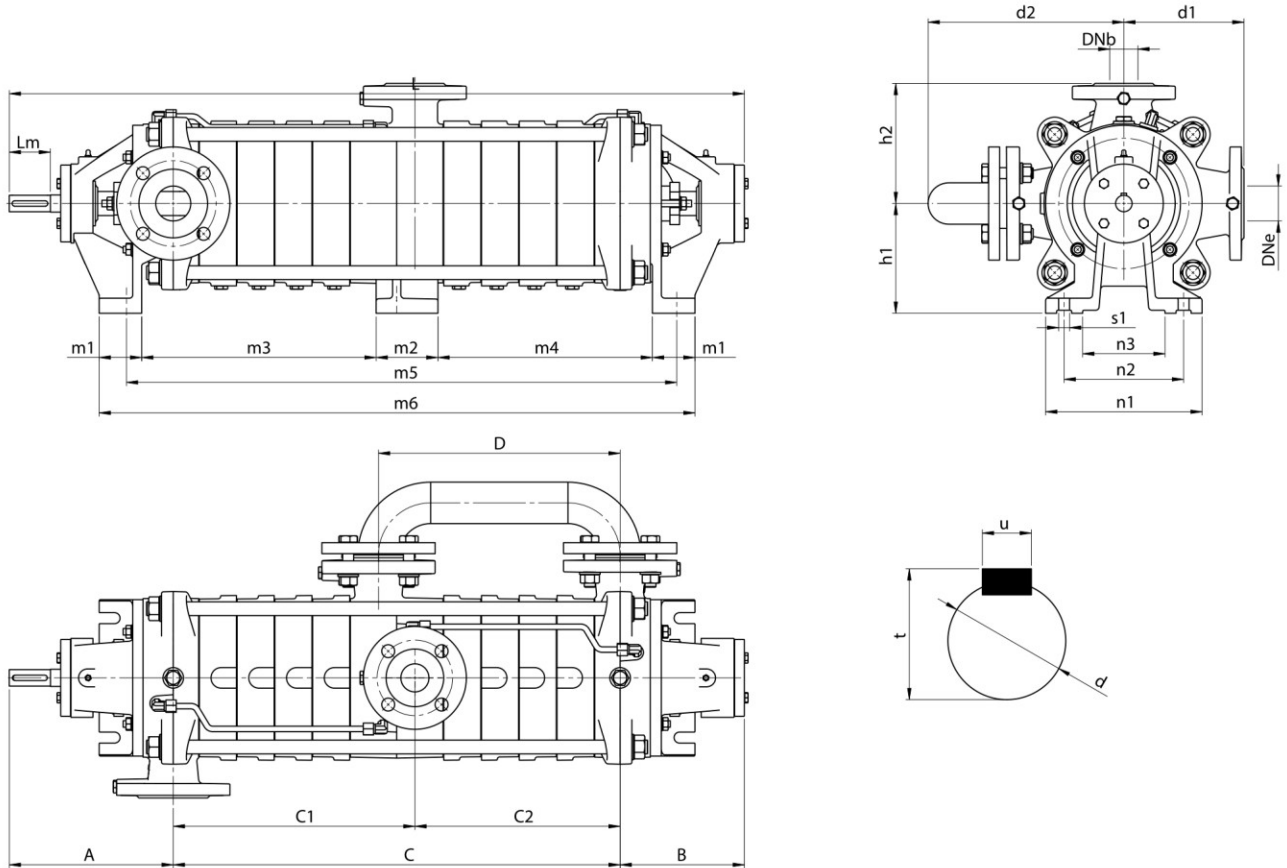
Part List

Discharge Diffuser	021
Suction Body	022
Discharge Body	023
Impeller	030
Shaft	040
Stage Body	071
Bearing Housing	080
Bearing Cover (Coupling)	091
Bearing Cover (Outside)	092
Bearing Setting Sleeve	110
Flushing Ring	120
Nut	127
Protection Sheet	128
Nut	129
Grease Nipple	131
Casing Tiebolt	150
Flange	157
Bearing	160
Soft Packing	166
Pin	170
Ring	180
Connection Support	210
O-Ring	220
Throw Protection	403
Bolt	409
Flange Gasket	418
Elbow	419
Connection Pipe	448
Discharge Centering Sleeve	455
Seal Sleeve (Suction)	457

PUMP DIMENSIONS



ARS-KC



Pump Type	Dimensions (mm)																								Shaft Dimensions			
	DN _e	DN _b	A	B	D	d ₁	d ₂	L	C ₁	C ₂	C	h ₁	h ₂	H	m ₁	m ₂	m ₃	m ₄	m ₅	m ₆	n ₁	n ₂	n ₃	s ₁	d	L _m	t	u
40-10	50	40	239	181	352	175	286	1071	352	299	651	160	175	335	62	90	342	312	824	869	228	174	120	16	24	60	27	8
40-12	50	40	239	181	407	175	286	1181	407	354	761	160	175	335	62	90	397	369	934	979	228	174	120	16	24	60	27	8
40-14	50	40	239	181	462	175	286	1291	462	409	871	160	175	335	62	90	452	422	1044	1088	228	174	120	16	24	60	27	8

Pump Type	Dimensions (mm)																								Shaft Dimensions			
	DN _e	DN _b	A	B	D	d ₁	d ₂	L	C ₁	C ₂	C	h ₁	h ₂	H	m ₁	m ₂	m ₃	m ₄	m ₅	m ₆	n ₁	n ₂	n ₃	s ₁	d	L _m	t	u
50-08	65	50	254	190	334	190	327	1053	275	274	609	160	190	350	60	100	327	287	790	834	255	198	140	16	28	65	31	8
50-10	65	50	254	190	396	190	327	1177	337	336	733	160	190	350	60	100	389	349	914	958	255	198	140	16	28	65	31	8
50-12	65	50	254	190	458	190	327	1301	399	398	857	160	190	350	60	100	451	411	1038	1082	255	198	140	16	28	65	31	8

BEARING TYPES



Bearing Type 1500-1800 rpm / (d/d)			
Pump Type	Stage Number	Bearing Type	
		S / E	D / B
ARS 32	2...14	NU 305	6305
ARS 40	2...13	NU 305	6305
ARS 50	2...12	NU 306	6306
ARS 65	2...8	NU 307	6307
ARS 80	2...8	NU 308	3308
ARS 100	2...7	NU 309	3309
ARS 125	2...6	NU 310	3310
ARS 150	2...3	NU 312	3312
ARS 200	2...3	NU 315	2x7315
ARS 250	2...4	NU 321	2x7321

Bearing Type 1500-1800 rpm / (d/d)			
Pump Type	Stage Number	Bearing Type	
		S / E	D / B
ARS-DD 65	9...11	NU 307	NU 307
ARS-DD 80	9...14	NU 308	NU 308
ARS-DD 100	8...15	NU 309	NU 309
ARS-DD 125	7...12	NU 310	NU 310
ARS-DD 150	4...10	NU 312	NU 312
ARS-DD 200	4...6	NU 315	NU 315

Bearing Type 1500-1800 rpm / (d/d)			
Pump Type	Stage Number	Bearing Type	
		S / E	D / B
ARS-U 40	2...13	-	6305
ARS-U 50	2...12	-	6306
ARS-U 65	2...8	-	6307
ARS-U 80	2...8	-	6308
ARS-U 100	2...7	-	3309
ARS-U 125	2...6	-	3310
ARS-U 150	2...3	-	3312

Bearing Type 3000-3600 rpm / (d/d)			
Pump Type	Stage Number	Bearing Type	
		S / E	D / B
ARS-KC 40	10...14	NU 305	2x7305
ARS-KC 50	8...12	NU 306	2x7306
ARS-KC 65	6...10	NU 307	2x7307

BEARING TYPES



Bearing Type 3000-3600 rpm / (d/d)			
Pump Type	Stage Number	Bearing Type	
		S / E	D / B
ARS 25	2...17	NU 305	6305
ARS 32	2...9	NU 305	6305
ARS 32	10...13	NU 305	6405
ARS 40	2...6	NU 305	6305
ARS 40	7...9	NU 305	6405
ARS 50	2...5	NU 306	6306
ARS 50	6...7	NU 306	6406
ARS 65	2...4	NU 307	6307
ARS 80	2...4	NU 308	3308

Bearing Type 3000-3600 rpm / (d/d)			
Pump Type	Stage Number	Bearing Type	
		S / E	D / B
ARS-DD 65	5...10	NU 307	NU 307
ARS-DD 80	5...8	NU 308	NU 308

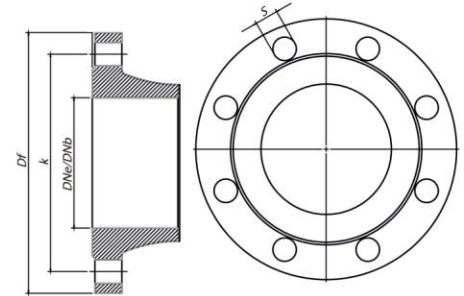
Bearing Type 3000-3600 rpm / (d/d)			
Pump Type	Stage Number	Bearing Type	
		S / E	D / B
ARS-U 40	2...6	-	6305
ARS-U 50	2...5	-	6306
ARS-U 65	2...4	-	6307
ARS-U 80	2...4	-	3308

- Suction / Emme: E
- Discharge / Basma: B

FLANGE DIMENSIONS

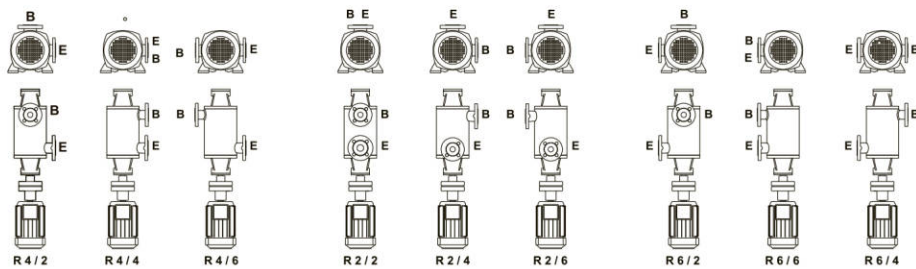


Pump Type Pompa Tipi	Suction & Discharge (PN 16)				Suction & Discharge (PN 40)			
	Df	k	s	n	Df	k	s	n
25	115	85	16	4	115	85	16	4
32	140	100	19	4	140	100	19	4
40	150	110	19	4	150	110	19	4
50	165	125	19	4	165	125	19	4
65	185	145	19	4	185	145	19	8
80	200	160	19	8	200	160	19	8
100	220	180	19	8	235	190	23	8
125	250	210	19	8	270	220	28	8
150	285	240	23	8	300	250	28	8
200	340	295	23	12	375	320	31	12
250	405	355	23	12	450	385	34	12
300	460	410	23	12	515	450	34	16

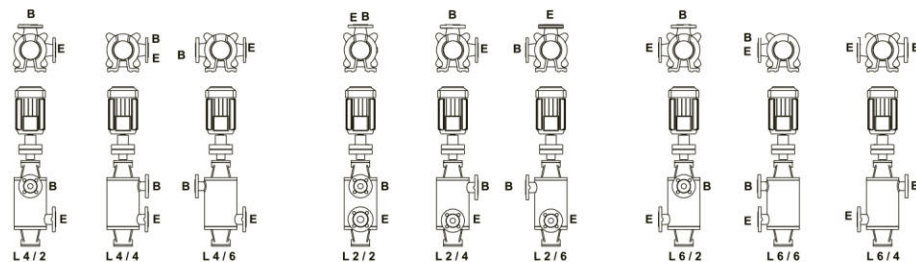


○ TS EN 1092-2 ○ "n" Number of Holes

FLANGE POSITIONS



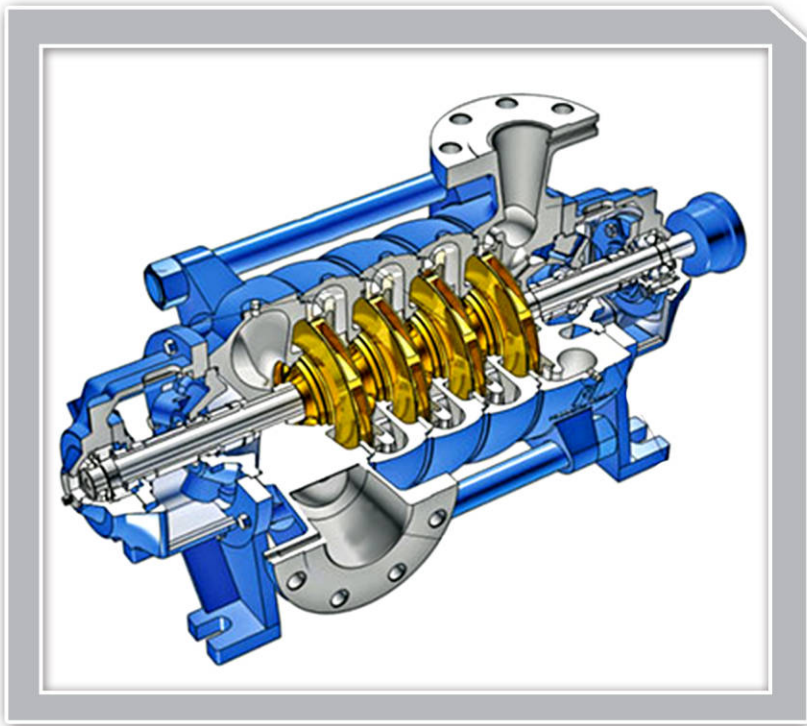
○ Clockwise rotation viewed from driver
(Suction flange is on the motor side)



○ Counter clockwise rotation viewed from driver
(Discharge flange is on the motor side)



○ Direction of rotation viewed from driver end.
R : Right
L : Left



6520 NW 77 ct MIAMI , FL 33166

PH : +1(786) 615 8984 +1(786) 452 9775

Fax : +1(786) 615 7043

