



G.P.T.CO

GOL PUMPS TECHNOLOGY INC

60 Hz

Dewatering and Large flow

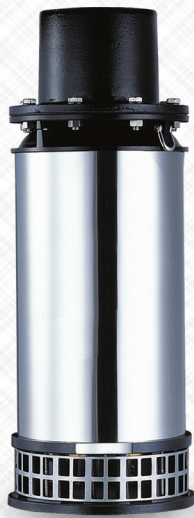
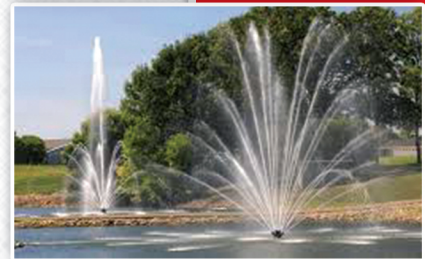
ELECTRIC PUMP

GKS : Dewatering Pump
Water- cooling Desingn

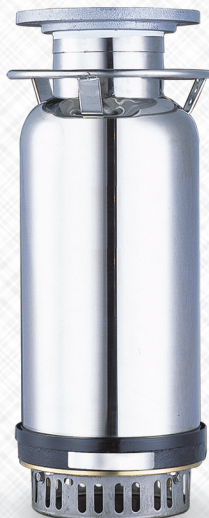
GKL : Large Volume
Dewatering Pump

GKHL : Stainless Dewatering
Pump scs 13 (#304)

GKT : Contractor Pump



GKL



GKS



GKT



GKHQ



ISO-9001/CNS12681





G.P.T. CO

GKS

Dewatering Pump Water- cooling Desingn

GKS Type Submersible Dewatering Pump



FEATURES:

- . Compact size, lightweight and easy operation. Especially top outlet design with easyconnection, suitable for different types of dewatering work.
- . Being cooled by water and maintained at a safe temperature while in use, the motor could have a longer life.
- . Specially designed impeller curvature to obtain larger output water volume.
- . The suction cover adopts BC6 material to endure the erosion of seawater.
- . The unique EPOXY cable sealing base prevents the motor against water penetration.
- . Double Mechanical Seal and separate oil seal.
- . An optional sacrificial anode is upon request. In seawater or brine, adding sacrificial anodes will prevent the surface of the pump from corroding
- . Special design-specially designed to work under sewage, compact dimension, light, weight and easy operation.
- . Since the motor cooled by water, and maintains in safety temperature when motor work, this will enlong the motor's life.

APPLICATIONS:

- . Basement drainage
- . Water supply for landscape and water feature.
- . Agricultural and horticultural irrigation.
- . Water supply for fountains and water features.
- . Water discharge work for ships.
- . Any kind of standing water and water discharge
- . Waste water treatment.
- . Construction engineering.
- . Drainage system.
- . Agricultural irrigation, fishing and spraying.

DESIGNED FOR AQUACULTURE FARM OR GENERAL DEWATERING WORK

Power: 1 ~ 7.5HP

Motor: 2 Poles

IMPELLER AND SUCTION COVER ARE MADE OF BC6

WIDELY USED IN SHRIMP AND FISH FARM

GKS



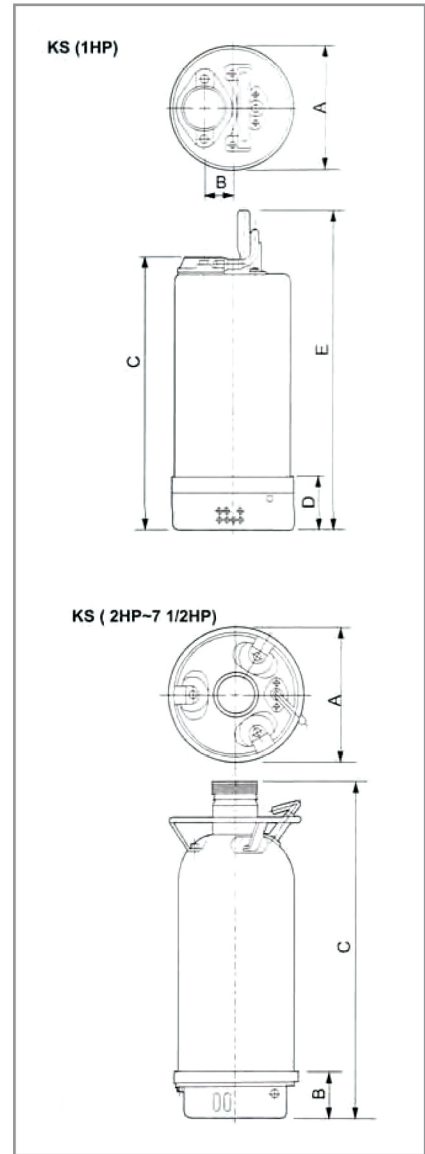
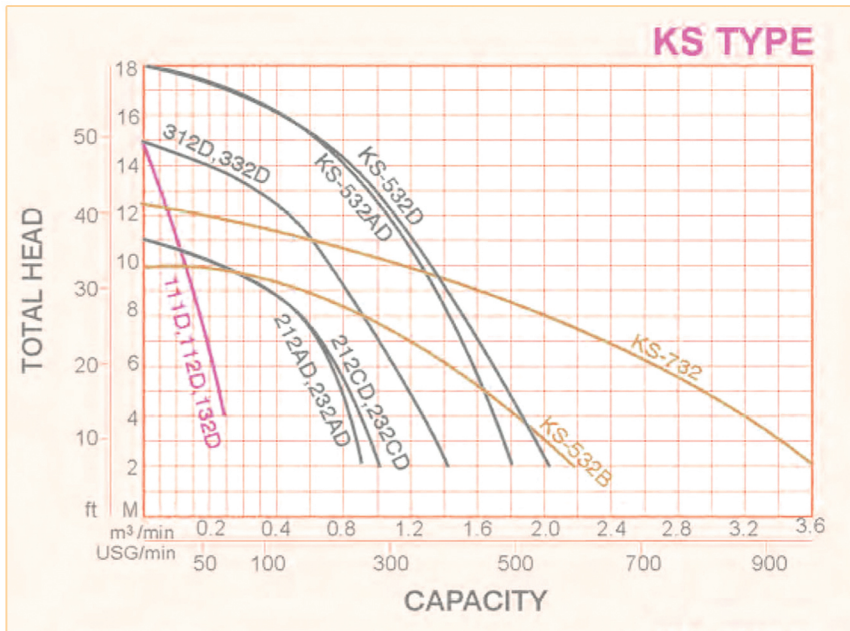
Impeller Bronze



G.P.T.CO

GKS

**Dewatering Pump
Water-cooling Design**



TYPE	MOTOR				PUMP					Cable	Weight	Height	Pump Diameter	
	POWER		Phase	Volt	Disch.Dia.		Max.Head	Max.Flow	Solid Passage					
	HP	kw	PH	V	inch	mm	M	m³/min	mm					
GKS DEWTERING PUMP (WATER.COOLING DESIGN)														
G KS-112D	1	0.75	1	200-240	2	50	14	0.26	6	2²x6	23	465	175	
G KS-132D			3	220-480										
G KS-212AD	2	1.5	1	200-240	3	80	10	0.8	34x10	3.5²x 10	41	615	228	
G KS-232AD			3	220-480							33	515		
G KS-212CD			1	200-240	4	100	10	1	34x10		3.5²x 10	41	610	228
G KS-232CD			3	220-480								33	510	
G KS-312D	3	2.2	1	200-240	4	100	15	1.4	34x10	3.5²x 10	48	630	228	
G KS-332D			3	220-480							42	530		
G KS-532AD	5	5	3	220-480	4	100	18	1.8	34x10	3.5²x 10	49	560	232	
G KS-532D			3	220-480	5	125	18	1.9						
G KS-532B			3	220-480	6	150	10	2.2	50x11					
G KS-732	7.5	5.5	3	220-480	6	150	11.5	3.6	31x22	5.5²x10	107	750	335	



G.P.T.CO

GKS

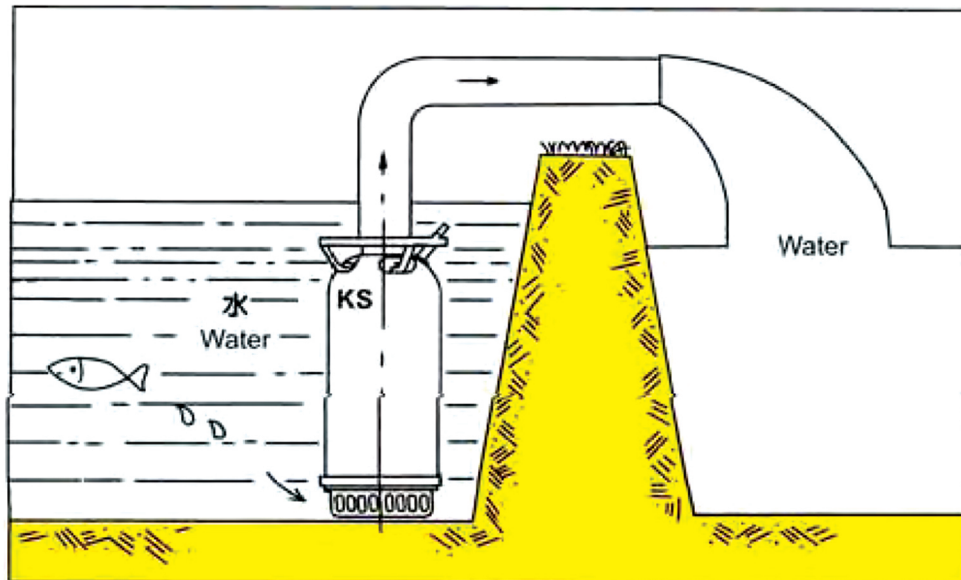
Dewatering Pump
Water- cooling Desingn

• CONSTRUCTIONS:

KS

NO.	PARTS LIST	MATERIAL
1	Cable	V.C.T.
2	Handle	Stainless Steel
3	Motor Head Cover	Cast Iron
4	Condenser	1 ϕ only
5	Centrifugal Switch	1 ϕ (2HP . 3HP)only
6	Upper Bracket	Cast Iron
7	Upper Ball Bearing	
8	Bolt	Stainless Steel
9	Coil	
10	Shaft	Stainless Steel
11	Rotor	Steel Plate
12	Stator	Steel Plate
13	Motor Casing	Stainless Steel
14	Hose Coupling	Stainless Steel
15	Mechanical Seal	Ceramic-Carbon
17	Motor Lower Cover	Cast Iron
18	Mechanical Seal Cover	Cast Iron
19	Oil Seal	Synthetic Rubber
20	Pump Casing	Cast Iron
21	Impeller	Bronze
22	Suction Cover	Bronze Cast Iron (for 1HP & KS-532B)
23	Strainer	Stainless Steel
25	Outer Cover	Stainless Steel

• APPLICATION EXAMPLES



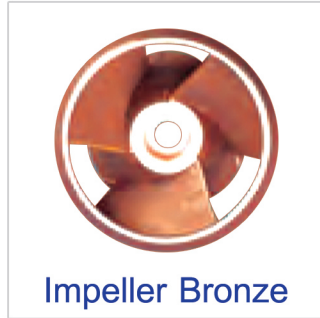


G.P.T. CO

GKL

**Large Volume
Dewatering Pump**

Large Axial Flow Pump



Impeller Bronze

GKL



7.5HP - 20HP
Water - cooling
Desing

FEATURES:

- . Turbo Jet-Like impeller designed to improve extra-output water volume with almost no vibration and noise.
- . 3D-design Impeller adopts ALBC3 (Aluminum Bronze) which has superior wear-resistant and anti-corrosion capability while working in the seawater or brine.
- . Motor headcover, upper bracket, motor lower cover and suction cover use BC6 material to endure the erosion of seawater.
- . The unique EPOXY cable sealing base prevents the motor against water penetration.
- . Double Mechanical Seal and separate Sand-Proof Trap or Oil Seal.
- . An optional sacrificial anode is upon request. In seawater or brine, adding sacrificial anodes will prevent the surface of the pump from corroding
- . Easy operating, no need of equipped devices, result in this less-maintenance, noise and vibration free pump.
- . Rigid body, by using the special fined bronze and stainless steel, this will rise the pump the ability of water deliverling life.

APPLICATIONS:

- # It is applicable to agricultural, industrial use, as well as in standing water and large volume water pumping.
- # Widely used in aquaculture farms.
- # Extraction of water from the ponds, rivers, and lakes.
- # Flood control and drainage system for industry
- # Water supply for fountains and water features.
- # Water discharge work for ships

KL Type Large Volume Dewatering Pump

DESIGNED FOR AQUACULTURE FARM OR LARGE DEWATERING WORK

Power: 7.5HP, 10HP, 15HP and 20 HP

Motor: 4 Poles

Superior Aluminum Bronze Impeller for Seawater or Brine Use



G.P.T. CO

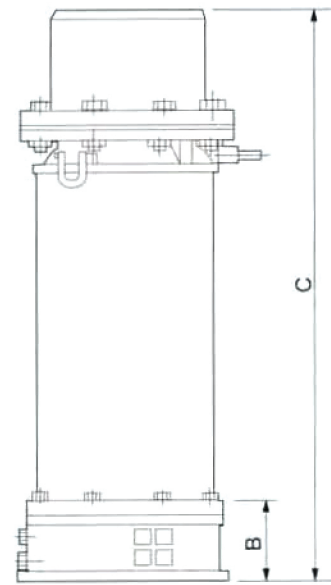
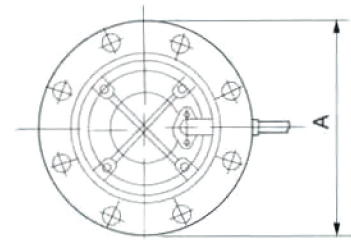
GKL

**Large Volume
Dewatering Pump**

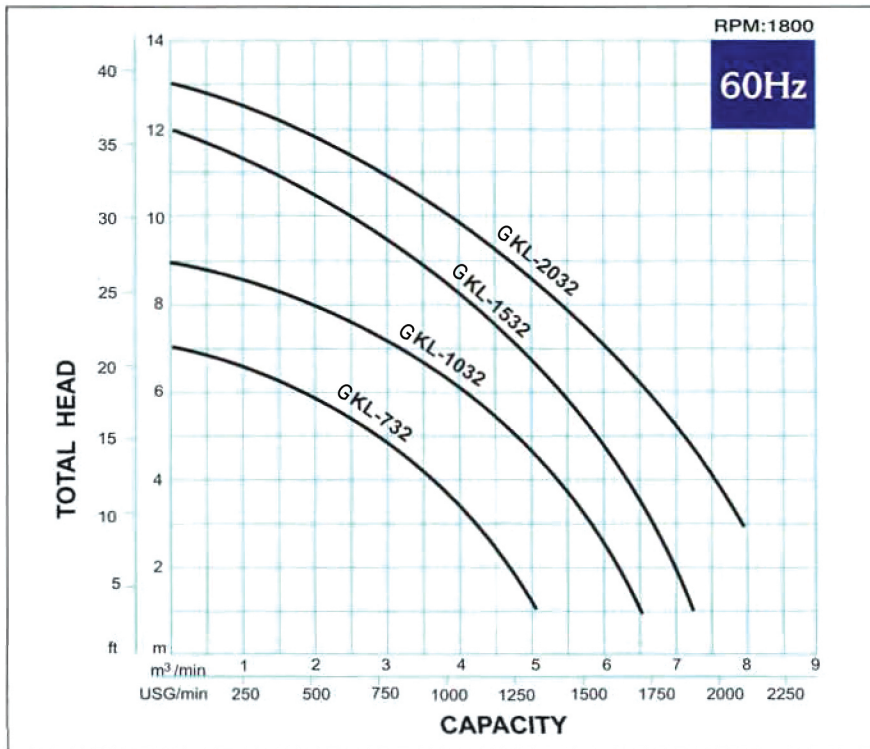
• APPLICATIONS:

It is applicable to sewage, the field cultivative and industrial use, as well as in accumulated water and large volume water pumping.

• DIMENSIONS:



• PERFORMANCE CURVE



• SPECIFICATIONS:

• DIMENSIONS:

TYPE	MOTOR				Poles	PUMP						Cable	Weight	SIZE				
	Power		Phase	Volt		Disch. Dia.		Max. Head		Max. Flow				mm² xM	KG	A	B	C
	KW	HP				Inch	bmm	50HZ	60HZ	50HZ	60HZ							
GKL-732	5.5	7½	3	220-440	4	8"	200	7	7	5.5	5.5	5.5²x10	118	376	200	915		
GKL-1032	7.5	10	3	220-440	4	10"	250	9	9	6.7	6.7	5.5²x10	165	422	200	1035		
GKL-1532	11	15	3	220-440	4	12"	300	10	12	7.9	7.4	8²x10	191	422	200	1065		
GKL-2032	15	20	3	220-440	4	12"	300	11	13	8.8	8.7	8²x10	195	422	200	1065		

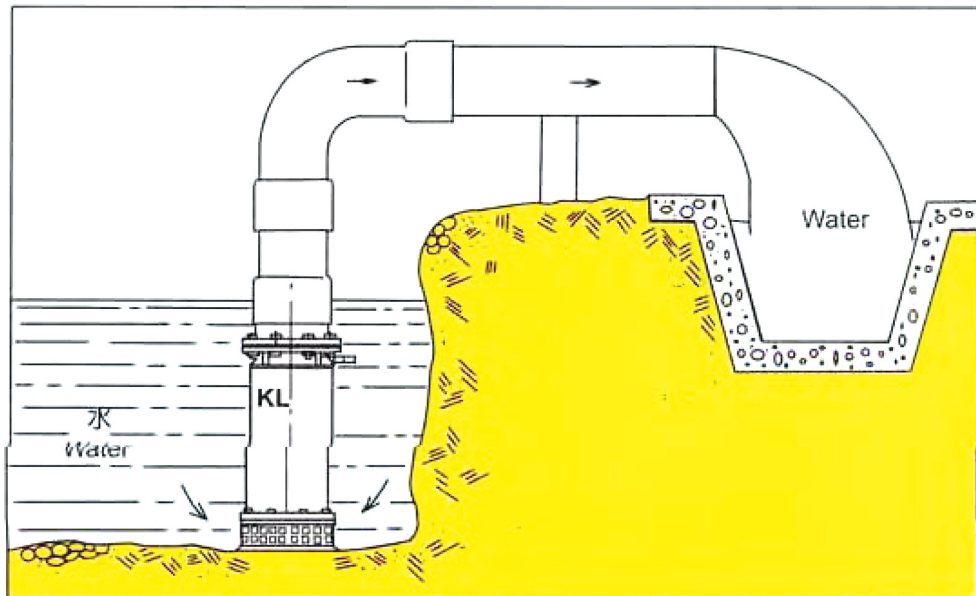
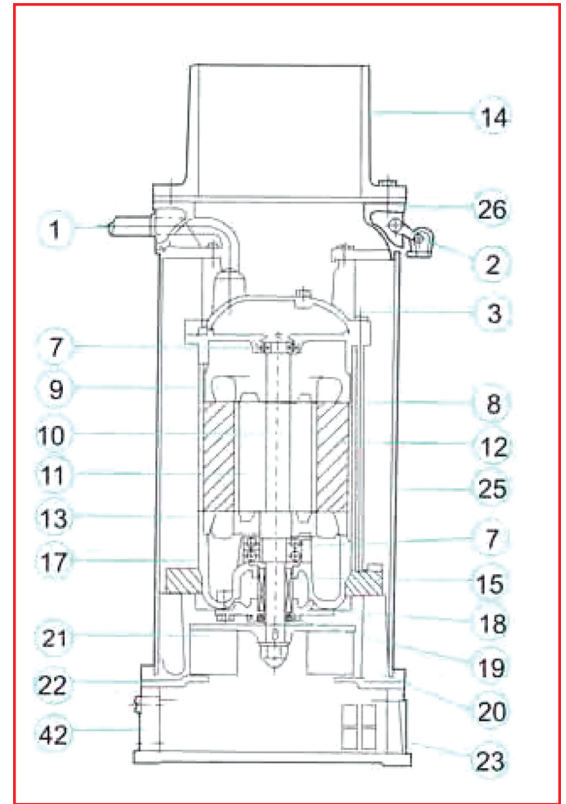


G.P.T.CO

GKL

Large Volume
Dewatering Pump

NO.	PARTS LIST	MATERIAL
1	Cable	V.C.T.
2	Handle	Stainless Steel
3	Motor Head Cover	Cast Iron
7	Upper Ball Bearing	
8	Bolt	Stainless Steel
9	Coil	
10	Shaft	Stainless Steel
11	Rotor	Steel Plate
12	Stator	Steel Plate
13	Motor Casing	Stainless Steel
14	Hose Coupling	Cast Iron
15	Mechanical Seal	Ceramic-Carbon
17	Motor Lower Cover	Cast Iron
18	Mechanical Seal Cover	Cast Iron
19	Oil Seal	Synthetic Rubber
20	Pump Casing	Cast Iron
21	Impeller	Bronze
22	Suction Cover	Bronze
23	Strainer	Stainless Steel
25	Outer Cover	Stainless Steel
26	Bracket of Outer Cover	Cast Iron
42	Strainer Stand	Cast Iron





G.P.T. CO

GKHQ

Stainless Dewatering Pump scs 13 (#304)

GKHQ Type Cast Stainless Dewatering Pump(SCS13)

Corrosion - Resistant Pump



Mechanical seal

GKHQ



2 HP - 15 HP
Water - cooling
Carbida - Viton

• FEATURES:

Extra long life design. since the pump body and all related pans are made or casting stainless scs t3(1t304) or SCS t4(N316). these wit have the capability of anti-acid & alkali; and also suitable for using in sea water. Since impeller is adjusted with a dynamic balancing there are little vibration and noise and an extraordinary durability is ensured.

All "wetted parts" are of the highest quality SCS13(#304) stainless steel investment casting with a smooth surface finish.

Impeller: statically and dynamically balanced, semi-open type impeller design, prevents clogging by mud, sand, etc.

Suction Cover: Easily replaceable.

Triplex Seal System for less downtime and longer life: Oil-lubricated Double Mechanical Seals (highly wear-resistant SiC/SiC with Viton) and separate Viton Oil Seal, togetherwith Viton O-Ring.

Motor: Quality motor with a level of protection IP 68, suitable for continuous duty.

Thermal Protector: Single phase model built-in thermal protector prevents any burning damage to the motor.

• PERFORMANCE CURVE :

• APPUCATIONS:

The pumps are applicable in the following Industries: Chemistry. heavy -chemistry, medicines, pholograph, dye1ng. bleaching. food, fishery, drinks. brewing.Oil and lal, fiber, oi refining, cosmetic, metal treatment and electro- plating. For a member or plant lor preventing pOilution, sewage and drainage treatment, washing plant, dust collecting plant and clean air plant

Very good for pumps with clean non-volatile liquids without solids or Fibers in below applications as :

Mining dewatering containing acidic Fluid.

Dyeing industry.

Mariculture.

Chemical plating.

Irrigation and other general corrosive media.

A CORROSION-RESISTANT PUMP FOR HANDLING AGGRESSIVE AND CORROSIVE LIQUIDS.

Power: 2 ~15 HP

Motor: 2 Poles

ALL WETTED PARTS ARE SCS13(#304)STAINLESS STEEL INVESTMENT CASTING . MECHANICAL SEAL ADOPTS HIGHLY WEAR-RESISTANT SIC/SIC WITH VITON O-RING



G.P.T.CO

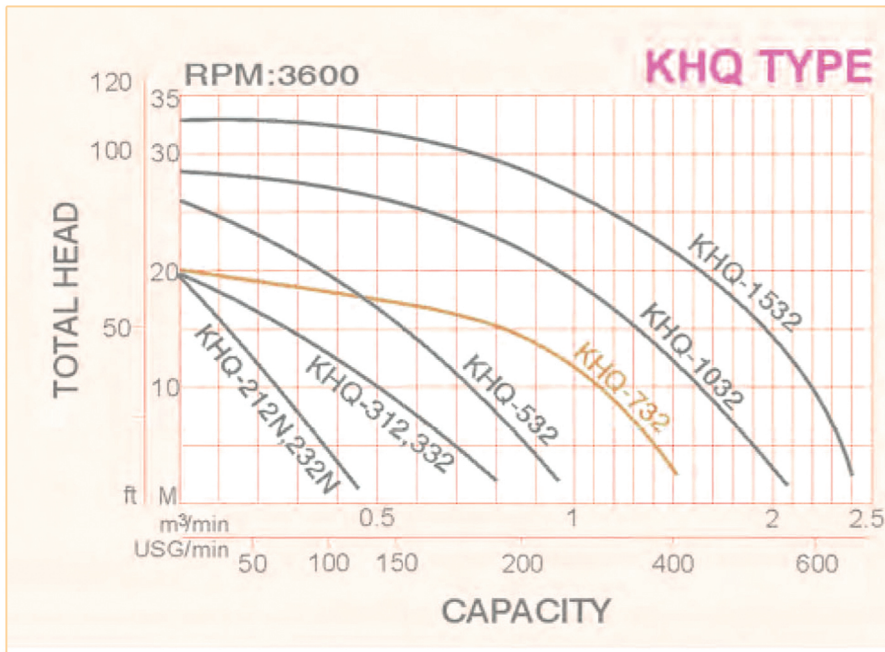
GKHQ

Stainless Dewatering Pump scs 13 (#304)

GKHQ



Corrosion - Resistant Pump



GKHQ

STAINLESS DEWTERING PUMP (WATER.COOLING DESIGN)

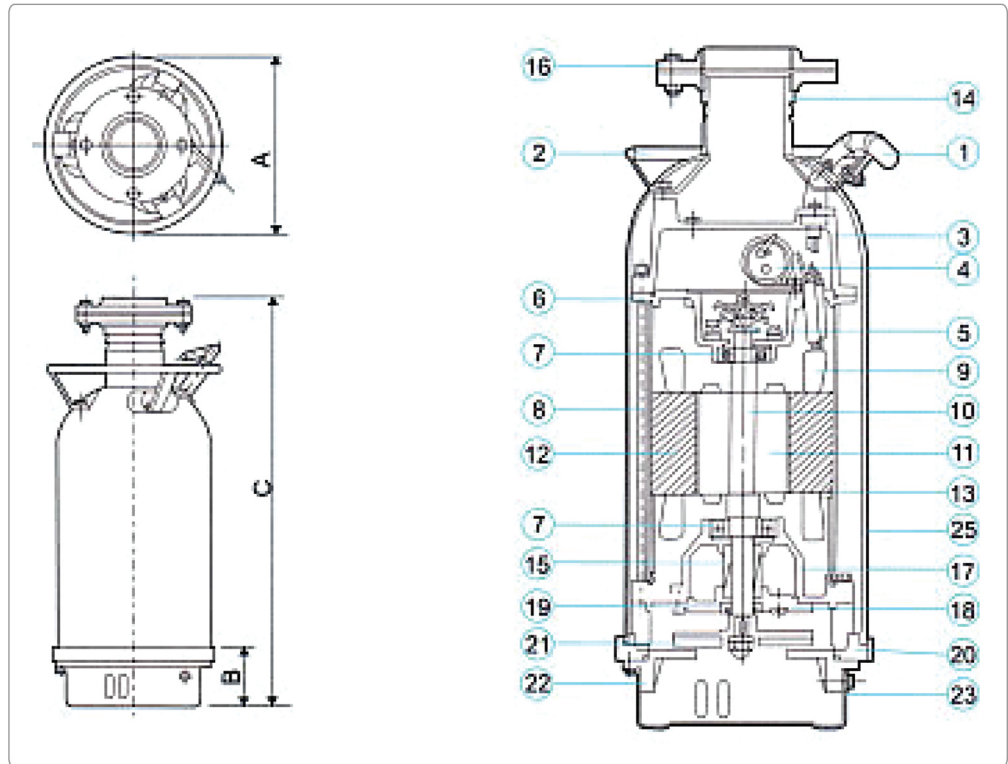
TYPE	MOTOR				PUMP					Cable	Weight	Height	Pump Diameter
	POWER		Phase	Volt	Disch.Dia.		Max.Head	Max.Flow	Solid Passage				
	HP	kw	PH	V	inch	mm	M	m³/min	mm				
GKHQ-212N	2	1.5	1	200-240	2	50	20	0.45	34x10	3.5²x 10	46	560	228
GKHQ-232N			3	220-480							37	460	
GKHQ-312	3	2.2	1	200-240	3	80	20	0.8	34x10	3.5²x 10	49	670	228
GKHQ-332			3	220-480							40	570	
GKHQ-532	5	3.7	3	220-480	4	100	26	0.95	34x10	3.5²x 10	49	605	232
GKHQ-732	7.5	5.5	3	220-480	4	100	20	1	50x11	5.5²x 10	70	720	272
GKHQ-1032	10	7.5	3	220-480	6	150	28	2.1	50x11	5.5²x 10	78	665	272
GKHQ-1532	15	11	3	220-480	6	150	32	2.4	31x22	8²x 10	115	785	335



G.P.T. CO

GKHQ

**Stainless Dewatering
Pump scs 13 (#304)**



ITEM NO.	PARTS LIST	MATERIAL
1	Cable	V. C. T.
2	Handle	Stainless Steel (#304)
3	Motor Head Cover	Stainless Steel Casting
4	Condenser	1 ϕ only
5	Centrifugal Switch	1 ϕ only
6	Upper Bracket	Stainless Steel Casting
7	Upper Ball Bearing	
8	Bolt	Stainless Steel
9	Coil	
10	Shaft	Stainless Steel
11	Rotor	Steel Plate
12	Stator	Steel Plate
13	Motor Casing	Stainless Steel (#304)
14	Hose Coupling	Stainless Steel Casting
15	Mechanical Seal	Silicon Carbide + Viton
16	Flange Setter	Stainless Steel Casting
17	Motor Lower Cover	Stainless Steel Casting
18	Mechanical Seal Cover	Stainless Steel Casting
19	Oil Seal	Viton
20	Pump Casing	Stainless Steel Casting
21	Impeller	Stainless Steel Casting
22	Suction Cover	Stainless Steel Casting
23	Strainer	Stainless Steel (#304)
25	Outer Cover	Stainless Steel (#304)

P S: Stainless Steel Casting : SCS 13 (#304)



G.P.T. CO

GKT

Contractor Pump

GKT

**For Sand Mixed Water of Civil Construction
Equipped with Silicon Carbide Mechanical Seal
Impeller and Suction Cover are made of HCr**



1 HP - 15 HP

**Mechanical seal
Silicon Carbida**



•FEATURES:

1. 2-pole motor with high speed rotation achieves the extra high-head water carrying.
2. The impeller and its suction cover were made of the high chromium and specially treated, so as to en long the workability.
3. The Double mechanical seal is of silicon carbide made ensures the super durability.

• APPLICATIONS:

CONSTRUCTION-Excavation, sump, ditch, tunnel, any foundation work & storm water removal.

FACTORIES-Waste water removal, sump pit, manhole, basement, emergency water removal & industrial processing water.

BUILDINGS-Sump pit, plumbing, manhole, elevator pit, emergency & storm water removal.

UTILITIES-Excavation, sump, manhole, trench, sewage tunnel & storm water removal.

MINING-Pit,quarry, sump, excavation, tunnel & storm water removal.

HOME-Cellar, sump, pit, plumbing, fountain & swimming pool cleaning.

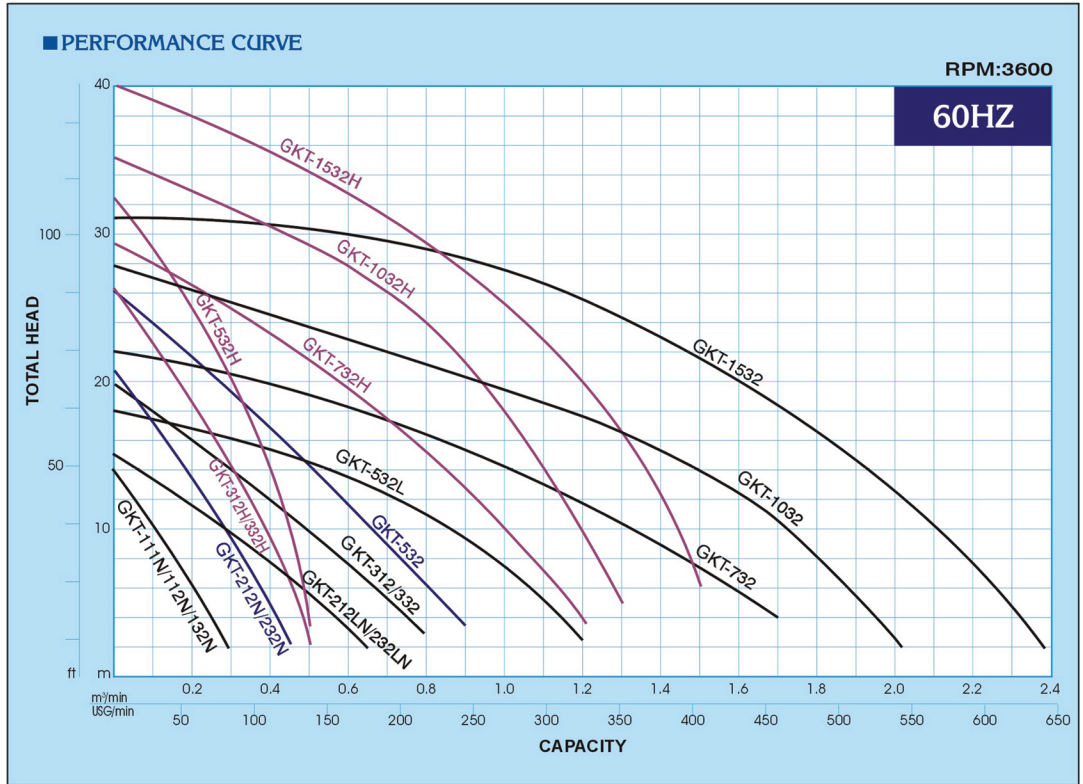
FARMING-Irrigation & fire protection.

MARINE-Bilge, fire fighting & wash-down.



G.P.T. CO

GKT



60Hz SPECIFICATIONS:

DIMENSIONS:

TYPE	MOTOR				PUMP					Cable	Weight	SIZE			
	Power		Phase	Volt	Disch. Dia.		Max. Head	Max. Flow	Solid Passage			A	B	C	D
	KW	HP	PH	V	mm	inch	M	M ³ /MIN	mm			mm	mm	mm	
GKT-111N	0.75	1	1	110	50	2"	14	0.3	Ø 6	2 ² x6	24	210	70	490	
GKT-112N				220											
GKT-132N				220-440											
GKT-212N	1.5	2	3	220	50	2"	21	0.45	34 x 10	3.5 ² x10	41	228	80	650	
GKT-232N				220-440											
GKT-212LN				220											
GKT-232LN	1.5	2	3	220-440	80	3"	15	0.65	34 x 10	3.5 ² x10	37	228	80	550	
GKT-312H				220											
GKT-332H				220-440											
GKT-312	2.2	3	1	220	80	3"	20	0.8	34 x 10	3.5 ² x10	52	228	80	670	
GKT-332H				220-440											
GKT-332				220-440											
GKT-532H	3.7	5	3	220-440	50	2"	32	0.5	34 x 10	3.5 ² x10	49	232	100	605	
GKT-532				80	3"	26	0.9								
GKT-532L				100	4"	18	1.2								
GKT-732H	5.5	7½	3	220-440	80	3"	28	1.2	50 x 11	5.5 ² x10	77	272	125	720	
GKT-732				100	4"	22	1.7								
GKT-1032H				100	4"	35	1.3								
GKT-1032	7.5	10	3	220-440	100	4"	28	2.0	50 x 11	5.5 ² x10	91	272	125	665	
GKT-1532H				150	6"	40	1.5								
GKT-1532				100	4"	40	1.5								
GKT-1532	11	15	3	220-440	150	6"	31	2.4	31 x 22	8 ² x10	129	335	200	785	
GKT-1532				150	6"	31	2.4								

- * EQUIPPED WITH SILICON CARBIDE MECHANICAL SEAL
- * IMPELLER & SUCTION COVER ARE MADE OF HIGH CHROMIUM
- * FOR SAND MIXED WATER OF CIVIL CONSTRUCTION



G.P.T. CO

GKT

CONSTRUCTIONS

GKT1 032/1 032H

NO.	PARTS LIST	MATERIAL
1	Cable	V.C.T.
2	Handle	Stainless Steel
3	Motor Head Cover	Cast Iron
4	Condenser	(1Ø only)
5	Centrifugal Switch	(1Ø only)
6	Upper Bracket	Cast Iron (1Ø only)
7	Upper Ball Bearing	
8	Bolt	Stainless Steel
9	Coil	
10	Shaft	S45C+ SUS304 SUS304 (5HP)
11	Rotor	Steel Plate
12	Stator	Steel Plate

NO.	PARTS LIST	MATERIAL
13	Motor Casing	Stainless Steel
14	Hose Coupling	Stainless Steel
15	Mechanical Seal	Silicon Carbide
16	Flange Setter	Cast Iron
△ 17	Motor Lower Cover	Cast Iron
○ 18	Mechanical Seal Cover	Cast Iron
△ 20	Pump Casing	Cast Iron
◇ 21	Impeller	High Chromium
◇ 22	Suction Cover	High Chromium
◇ 23	Strainer	Stainless Steel
◇ 25	Outer Cover	Stainless Steel
□ 26	Bracket of Outer Cover	Cast Iron (10HP)
153	Sand Proof Trap	Synthetic Rubber



GOL PUMPS TECHNOLOGY INC

6520 NW 77th CT , Miami FL 33166

Ph: +1 (786) 615 8984

Fax: +1 (786) 615 7043

Info@golpumps.com

www.golpumps.com