



EA
series

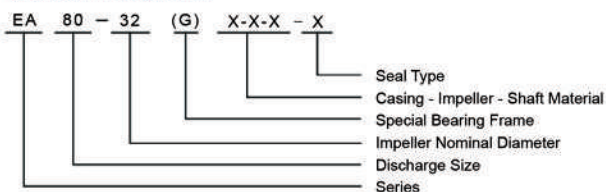
EA Series Installation Dimension list

Description & Features

EIFEL EA series end suction centrifugal pumps are designed complying to BS EN733 / DIN24255 standard. This series of pumps have great advantages in interchangeable parts, high quality and low cost, wide applications in plants, mines, city water supplies, fire-fighting systems, air-condition systems and irrigation.



Model Instruction



Material Code

C:Cast Iron
Q: Ductile Iron
B:Brass
S:ASTM 420
45:ASTM 1045
S304:ASTM 304
S316:ASTM 316

- Bearing Frame Code
H: Bearing frame for double-row bearing
G: Bigger shaft and bearing frame
Default: Standard
- Seal Type
M: Mechanical Seal
P: Gland Packing

Design & Structure

Design	Performance and dimensions referring to the European standard BS EN733 / DIN24255
Structure	Horizontal, Axial End-Suction, Single-Stage, Single-Suction, Volute Casing, Back pull-out
DN (mm)	32~300
Flange	DIN2501 PN16 GB/ T17241.6 PN1.6

Applications

- Water supply and drainage
- HVAC and Cooling Tower
- Marine - Ballasting & Bilge
- Booster and Pressurization Set
- Irrigation and agriculture
- Water supply and drainage
- Food and chemical industry (with stainless steel material)

Material

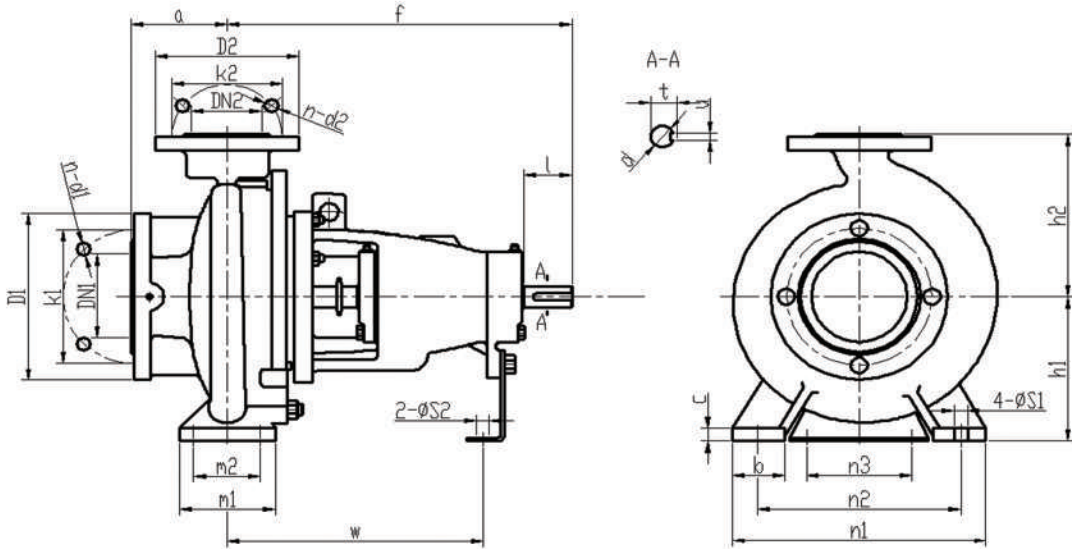
Part	Standard Material	Options on request
Casing	Cast Iron	Ductile Iron / ASTM304 / ASTM316
Impeller	Brass	Cast Iron/ ASTM304 / ASTM316
Shaft	ASTM420	ASTM304 / ASTM316 / ASTM1045
Shaft Seal	Mechanical Seal	Gland Packing

Operating Data

Flow Rate (Q)	4~1584 m ³ /h
Head (H)	2~150 m
Speed	1450 or 2900 rpm (50Hz) / 1750 or 3500 rpm (60Hz)
Max Temperature	85°C(standard) ; 105°C(on request)
Working Pressure	1.0 MPa standard: 1.6 MPa on request
Conveying Medium	Clean water or liquids similar to clean water in physical property



EA Series Installation Dimension list

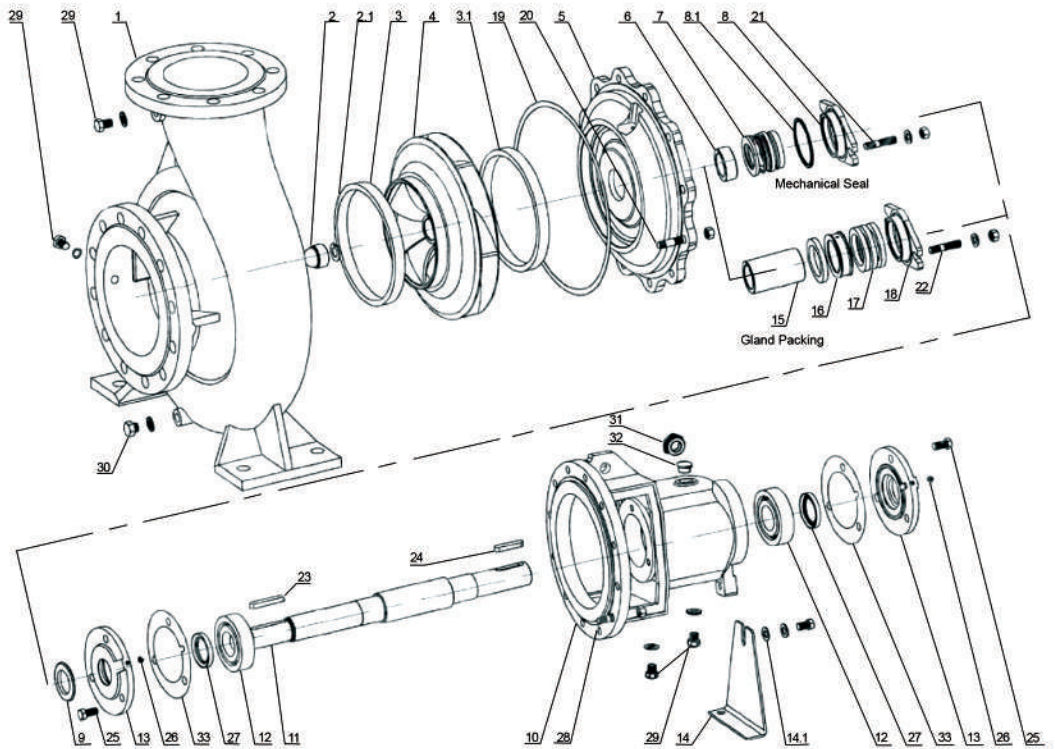


Flange standard : ISO7005.2 DIN2501 PN16 GB/T17241.6 PN1.6													
DN1/DN2	32	40	50	65	80	100	125	150	200	250	300	350	400
D1/D2	140	150	165	185	200	220	250	285	340	405	460	520	580
K1/K2	100	110	125	145	160	180	210	240	295	355	410	470	525
n-d1/ n-d2	4-φ18	4-φ18	4-φ18	4-φ18	8-φ18	8-φ18	8-φ18	8-φ22	12-φ22	12-φ26	12-φ26	16-φ26	16-φ30

Model	Bearing Inner Dia	DN2	DN1	a	f	h1	h2	b	c	n3	m1	m2	n1	n2	S1	S2	w	d	l	t	u	Weight (kg)
EA80/32G	45	80	100	125	526	250	315	80	16	110	160	120	400	315	18	14	367	42	110	45	12	130



EA Series Explode View & List of Parts



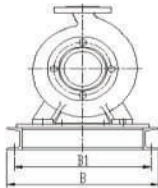
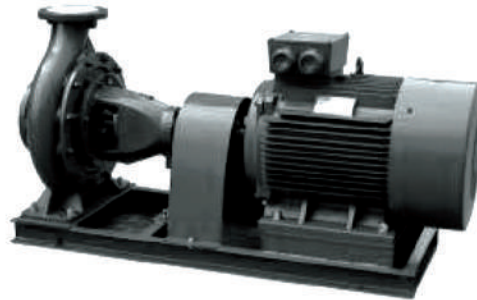
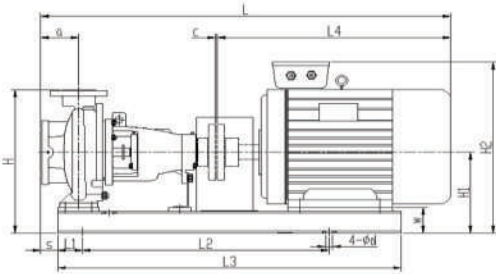
Code	Part Name
1	Casing
2	Impeller Nut
2.1	Lock Washer
3	Wear Ring (Front)
3.1	Wear Ring (Back)
4	Impeller
5	Casing Cover
6	Shaft Spacer
7	Mech. Seal
8	Seal Cover
8.0	O-ring
9	Rubber Slinger
10	Bearing Frame

Code	Part Name
11	Shaft
12	Bearing
13	Bearing Cover
14	Support Foot
14.1	Flat Washer
15	Packing Sleeve
16	Packing Seal Cage
	Throat Bushing
17	Gland Packing
18	Gland Cover
19	casing Gasket
20	Stud Bolt
21	Stud Bolt

Code	Part Name
22	Stud Bolt
23	Key
24	Key
25	Screw Bolt
26	Oil Cup
27	Felting
	Oil Seal
28	Stud Bolt
29	Plug
30	Plug
31	Oil Scale
32	Oil Cover
33	Throat Bushing Gasket



EAD Series Installation Dimensions



Flange standard : ISO7005.2 DIN2501 PN16 GB/T17241.6 PN1.6

DN1/DN2	32	40	50	65	80	100	125	150	200	250	300	350	400
D1/D2	140	150	165	185	200	220	250	285	340	405	460	520	580
K1/K2	100	110	125	145	160	180	210	240	295	355	410	470	525
n-d1/ n-d2	4-φ18	4-φ18	4-φ18	4-φ18	8-φ18	8-φ18	8-φ22	12-φ22	12-φ26	16-φ26	16-φ30		

No.	EAD Series		Motor(B3)		Installation Dimensions(mm)													Weight(kg)			
	Model	Model	kw	a	H	c	L4	H1	H2	L	L1	L2	L3	s	w	B1	B	Ød	Pump	Motor	Total
1	EAD32/13-04002	Y2-112M-2	4	80	312	4	400	172	360	844	80	560	750	25	60	294	330	16	29	43	93
2	EAD32/13-03002	Y2-100L-2	3	80	312	4	385	172	342	829	80	560	750	25	60	244	280	16	29	44	91
3	EAD32/13-02202	Y2-90L-2	2.2	80	312	4	345	172	332	789	80	560	750	25	60	244	280	16	29	26	73
4	EAD32/13-01502	Y2-90S-2	1.5	80	312	4	320	172	332	764	80	560	750	25	60	244	280	16	29	21	69
5	EAD32/13-01102	Y2-802-2	1.1	80	312	4	295	172	312	739	80	560	750	25	60	244	280	16	29	17	65
6	EAD32/13-00752	Y2-801-2	0.75	80	312	4	295	172	312	739	80	560	750	25	60	244	280	16	29	16	64
7	EAD32/13-00554	Y2-801-4	0.55	80	312	4	295	172	312	739	80	560	750	25	60	244	280	16	29	16	64
8	EAD32/16-07502	Y2-132S2-2	7.5	80	365	4	470	205	418	914	70	630	800	25	73	317	350	18	35	69	135
9	EAD32/16-05502	Y2-132S1-2	5.5	80	365	4	470	205	418	914	70	630	800	25	73	317	350	18	35	65	131
10	EAD32/16-04002	Y2-112M-2	4	80	352	4	400	192	380	844	80	560	750	25	60	294	330	16	35	43	99
11	EAD32/16-03002	Y2-100L-2	3	80	352	4	385	192	362	829	80	560	750	25	60	294	330	16	35	44	100
12	EAD32/16-02202	Y2-90L-2	2.2	80	352	4	345	192	352	789	80	560	750	25	60	294	330	16	35	26	81
13	EAD32/16-01502	Y2-90S-2	1.5	80	352	4	320	192	352	764	80	560	750	25	60	294	330	16	35	21	77
14	EAD32/16-01504	Y2-90L-4	1.5	80	352	4	345	192	352	789	80	560	750	25	60	294	330	16	35	27	82
15	EAD32/16-01104	Y2-90S-4	1.1	80	352	4	320	192	352	764	80	560	750	25	60	294	330	16	35	22	78
16	EAD32/16-00754	Y2-802-4	0.75	80	352	4	295	192	332	739	80	560	750	25	60	294	330	16	35	17	73
17	EAD32/16-00554	Y2-801-4	0.55	80	352	4	295	192	332	739	80	560	750	25	60	294	330	16	35	16	72
18	EAD32/20-15002	Y2-160M2-2	15	80	413	4	605	233	473	1049	70	780	1000	12.5	73	387	420	18	47	109	195
19	EAD32/20-11002	Y2-160M1-2	11	80	413	4	605	233	473	1049	70	780	1000	12.5	73	387	420	18	47	108	194
20	EAD32/20-07502	Y2-132S2-2	7.5	80	413	4	470	233	446	914	70	630	800	12.5	73	317	350	18	47	69	148
21	EAD32/20-05502	Y2-132S1-2	5.5	80	413	4	470	233	446	914	70	630	800	12.5	73	317	350	18	47	65	144
22	EAD32/20-04002	Y2-112M-2	4	80	400	4	400	220	408	844	80	560	750	12.5	60	294	330	16	47	43	112
23	EAD32/20-02204	Y2-100L1.4	2.2	80	400	4	385	220	390	829	80	560	750	12.5	60	294	330	16	47	34	103
24	EAD32/20-01504	Y2-90L-4	1.5	80	400	4	345	220	380	789	80	560	750	12.5	60	294	330	16	47	27	95
25	EAD32/20-01104	Y2-90S-4	1.1	80	400	4	320	220	380	764	80	560	750	12.5	60	294	330	16	47	22	91
26	EAD32/20-00754	Y2-802-4	0.75	80	400	4	295	220	360	739	80	560	750	12.5	60	294	330	16	47	17	86
27	EAD32/20-00554	Y2-801-4	0.55	80	400	4	295	220	360	739	80	560	750	12.5	60	294	330	16	47	16	85
28	EAD32/26-30002	Y2-200L1.2	30	100	515	4	785	290	590	1229	85	750	1100	32.5	90	417	460	18	58	224	340
29	EAD32/26-22002	Y2-180M-2	22	100	478	4	690	253	513	1154	70	780	1000	32.5	73	387	420	18	58	155	259
30	EAD32/26-18502	Y2-160L-2	18.5	100	478	4	660	253	493	1124	70	780	1000	32.5	73	387	420	18	58	133	229
31	EAD32/26-15002	Y2-160M2-2	15	100	478	4	605	253	493	1069	70	780	1000	32.5	73	387	420	18	58	109	206
32	EAD32/26-11002	Y2-160M1-2	11	100	478	4	605	253	493	1069	70	780	1000	32.5	73	387	420	18	58	108	205
33	EAD32/26-04004	Y2-112M-4	4	100	478	4	400	253	441	864	70	630	800	32.5	73	387	420	18	58	47	133
34	EAD32/26-03004	Y2-100L2.4	3	100	478	4	385	253	423	849	70	630	800	32.5	73	387	420	18	58	37	123
35	EAD32/26-02204	Y2-100L1.4	2.2	100	478	4	385	253	423	849	70	630	800	32.5	73	387	420	18	58	34	120
36	EAD32/26-01504	Y2-90L-4	1.5	100	478	4	345	253	413	809	70	630	800	32.5	73	387	420	18	58	27	112
37	EAD40/13-07502	Y2-132S2-2	7.5	80	345	4	470	205	418	914	70	630	800	25	73	317	350	18	31	69	132
38	EAD40/13-05502	Y2-132S1-2	5.5	80	345	4	470	205	418	914	70	630	800	25	73	317	350	18	31	65	128
39	EAD40/13-04002	Y2-112M-2	4	80	312	4	400	172	360	844	80	560	750	25	60	294	330	16	31	43	95
40	EAD40/13-03002	Y2-100L-2	3	80	312	4	385	172	342	829	80	560	750	25	60	244	280	16	31	44	93



No.	EAD Series		Motor(B3)		Installation Dimensions(mm)													Weight(kg)			
	Model	Model	kw	a	H	c	L4	H1	H2	L	L1	L2	L3	s	w	B1	B	Ød	Pump	Motor	Total
41	EAD40/13-02202	Y2-90L-2	2.2	80	312	4	345	172	332	789	80	560	750	25	60	244	280	16	31	26	75
42	EAD40/13-01502	Y2-90S-2	1.5	80	312	4	320	172	332	764	80	560	750	25	60	244	280	16	31	21	71
43	EAD40/13-01104	Y2-90S-4	1.1	80	312	4	320	172	332	764	80	560	750	25	60	244	280	16	31	22	72
44	EAD40/13-00754	Y2-802-4	0.75	80	312	4	295	172	312	739	80	560	750	25	60	244	280	16	31	17	67
45	EAD40/13-00554	Y2-801-4	0.55	80	312	4	295	172	312	739	80	560	750	25	60	244	280	16	31	16	66
46	EAD40/16-11002	Y2-160M1-2	1.1	80	393	4	605	233	473	1049	70	780	1000	25	73	387	420	18	34	108	182
47	EAD40/16-07502	Y2-132S2-2	7.5	80	365	4	470	205	418	914	70	630	800	25	73	317	350	18	34	69	134
48	EAD40/16-05502	Y2-132S1-2	5.5	80	365	4	470	205	418	914	70	630	800	25	73	317	350	18	34	65	130
49	EAD40/16-04002	Y2-112M-2	4	80	352	4	400	192	380	844	80	560	750	25	60	294	330	16	34	43	98
50	EAD40/16-03002	Y2-100L-2	3	80	352	4	385	192	362	829	80	560	750	25	60	294	330	16	34	44	99
51	EAD40/16-01504	Y2-90L-4	1.5	80	352	4	345	192	352	789	80	560	750	25	60	294	330	16	34	27	81
52	EAD40/16-01104	Y2-90L-2	1.1	80	352	4	320	192	352	764	80	560	750	25	60	294	330	16	34	22	77
53	EAD40/16-00754	Y2-802-4	0.75	80	352	4	295	192	332	739	80	560	750	25	60	294	330	16	34	17	72
54	EAD40/16-00554	Y2-801-4	0.55	80	352	4	295	192	332	739	80	560	750	25	60	294	330	16	34	16	71
55	EAD40/20-18502	Y2-160L-2	18.5	100	413	4	660	233	473	1124	70	780	1000	32.5	73	387	420	18	45	133	216
56	EAD40/20-15002	Y2-160M2-2	15	100	413	4	605	233	473	1069	70	780	1000	32.5	73	387	420	18	45	109	192
57	EAD40/20-11002	Y2-160M1-2	11	100	413	4	605	233	473	1069	70	780	1000	32.5	73	387	420	18	45	108	191
58	EAD40/20-07502	Y2-132S2-2	7.5	100	413	4	470	233	446	934	70	630	800	32.5	73	317	350	18	45	69	146
59	EAD40/20-05502	Y2-132S1-2	5.5	100	413	4	470	233	446	934	70	630	800	32.5	73	317	350	18	45	65	142
60	EAD40/20-03004	Y2-100L2-4	3	100	400	4	385	220	390	849	80	560	750	32.5	60	294	330	16	45	37	104
61	EAD40/20-02204	Y2-100L1-4	2.2	100	400	4	385	220	390	849	80	560	750	32.5	60	294	330	16	45	34	101
62	EAD40/20-01504	Y2-90L-4	1.5	100	400	4	345	220	380	809	80	560	750	32.5	60	294	330	16	45	27	93
63	EAD40/20-01104	Y2-90S-4	1.1	100	400	4	320	220	380	784	80	560	750	32.5	60	294	330	16	45	22	89
64	EAD40/20-00754	Y2-802-4	0.75	100	400	4	295	220	360	759	80	560	750	32.5	60	294	330	16	45	17	84
65	EAD40/26-37002	Y2-200L2-2	37	100	515	4	765	290	590	1229	85	750	1100	34.5	90	417	460	18	61	235	353
66	EAD40/26-30002	Y2-200L1-2	30	100	515	4	765	290	590	1229	85	750	1100	34.5	90	417	460	18	61	224	343
67	EAD40/26-22002	Y2-180M-2	22	100	478	4	690	253	513	1154	70	780	1000	34.5	73	387	420	18	61	155	262
68	EAD40/26-18502	Y2-160L-2	18.5	100	478	4	660	253	493	1124	70	780	1000	34.5	73	387	420	18	61	133	232
69	EAD40/26-15002	Y2-160M2-2	15	100	478	4	605	253	493	1069	70	780	1000	34.5	73	387	420	18	61	109	209
70	EAD40/26-11002	Y2-160M1-2	11	100	478	4	605	253	493	1069	70	780	1000	34.5	73	387	420	18	61	108	208
71	EAD40/26-05504	Y2-132S4-4	5.5	100	478	4	470	253	466	934	70	680	900	34.5	73	387	420	18	61	65	162
72	EAD40/26-04004	Y2-112M-4	4	100	478	4	400	253	441	864	70	630	800	34.5	73	387	420	18	61	47	136
73	EAD40/26-03004	Y2-100L2-4	3	100	478	4	385	253	423	849	70	630	800	34.5	73	387	420	18	61	37	126
74	EAD40/26-02204	Y2-100L1-4	2.2	100	478	4	385	253	423	849	70	630	800	34.5	73	387	420	18	61	34	123
75	EAD40/26-01504	Y2-90L-4	1.5	100	478	4	345	253	413	809	70	630	800	34.5	73	387	420	18	61	27	115
76	EAD40/32G-45002	Y2-225M-2	45	125	565	4	805	315	640	1460	70	940	1300	57.5	90	457	500	18	105	286	459
77	EAD40/32G-37002	Y2-200L2-2	37	125	540	4	765	290	590	1420	70	940	1300	57.5	90	417	460	18	105	235	399
78	EAD40/32G-30002	Y2-200L1-2	30	125	540	4	765	290	590	1420	70	940	1300	57.5	90	417	460	18	105	224	389
79	EAD40/32G-22002	Y2-180M-2	22	125	523	4	690	273	533	1345	80	950	1150	57.5	73	387	420	18	105	155	309
80	EAD40/32-45002	Y2-225M-2	45	125	565	4	805	315	640	1404	70	900	1200	57.5	90	457	500	18	94	286	446
81	EAD40/32-37002	Y2-200L2-2	37	125	540	4	765	290	590	1364	70	850	1200	57.5	90	417	460	18	94	235	386
82	EAD40/32-30002	Y2-200L1-2	30	125	540	4	765	290	590	1364	70	850	1200	57.5	90	417	460	18	94	224	376
83	EAD40/32-22002	Y2-180M-2	22	125	523	4	690	273	533	1289	80	890	1100	57.5	73	387	420	18	94	155	297
84	EAD40/32-11004	Y2-160M-4	11	125	523	4	605	273	513	1204	80	890	1100	57.5	73	387	420	18	94	108	243
85	EAD40/32-07504	Y2-132M-4	7.5	125	523	4	510	273	486	1109	80	800	1000	57.5	73	387	420	18	94	79	210
86	EAD40/32-05504	Y2-132S4-4	5.5	125	523	4	470	273	486	1069	80	800	1000	57.5	73	387	420	18	94	65	197
87	EAD40/32-04004	Y2-112M-4	4	125	523	4	400	273	461	999	70	700	900	57.5	73	387	420	18	94	47	177
88	EAD40/32-03004	Y2-100L2-4	3	125	523	4	385	273	443	984	80	690	900	57.5	73	387	420	18	94	37	167
89	EAD50/13-11002	Y2-160M1-2	11	100	393	4	605	233	473	1069	70	780	1000	45	73	387	420	18	35	108	183
90	EAD50/13-07502	Y2-132S2-2	7.5	100	365	4	470	205	418	934	70	630	800	45	73	317	350	18	35	69	135
91	EAD50/13-05502	Y2-132S1-2	5.5	100	365	4	470	205	418	934	70	630	800	45	73	317	350	18	35	65	131
92	EAD50/13-04002	Y2-112M-2	4	100	352	4	400	192	380	864	80	560	750	45	60	294	330	16	35	43	99
93	EAD50/13-03002	Y2-100L-2	3	100	352	4	385	192	362	849	80	560	750	45	60	294	330	16	35	44	100
94	EAD50/13-02204	Y2-100L1-4	2.2	100	352	4	385	192	362	849	80	560	750	45	60	294	330	16	35	34	90
95	EAD50/13-01504	Y2-90L-4	1.5	100	352	4	345	192	352	809	80	560	750	45	60	294	330	16	35	27	82
96	EAD50/13-01104	Y2-90S-4	1.1	100	352	4	320	192	352	784	80	560	750	45	60	294	330	16	35	22	78
97	EAD50/13-00754	Y2-802-4	0.75	100	352	4	295	192	332	759	80	560	750	45	60	294	330	16	35	17	73
98	EAD50/13-00554	Y2-801-4	0.55	100	352	4	295	192	332	759	80	560	750	45	60	294	330	16	35	16	72
99	EAD50/16-22002	Y2-180M-2	22	100	433	4	690	253	513	1154	70	780	1000	32.5	73	387	420	18	39	155	241
100	EAD50/16-18502	Y2-160L-2	18.5	100	413	4	660	233	473	1124	70	780	1000	32.5	73	387	420	18	39	133	210



No.	EAD Series		Motor(B3)		Installation Dimensions(mm)													Weight(kg)			
	Model	Model	kw	a	H	c	L4	H1	H2	L	L1	L2	L3	s	w	B1	B	Ød	Pump	Motor	Total
101	EAD50/16-15002	Y2-160M2-2	15	100	413	4	605	233	473	1069	70	780	1000	32.5	73	387	420	18	39	109	186
102	EAD50/16-11002	Y2-160M1-2	11	100	413	4	605	233	473	1069	70	780	1000	32.5	73	387	420	18	39	108	185
103	EAD50/16-07502	Y2-132S2-2	7.5	100	413	4	470	233	446	934	70	630	800	32.5	73	317	350	18	39	69	140
104	EAD50/16-05502	Y2-132S1-2	5.5	100	413	4	470	233	446	934	70	630	800	32.5	73	317	350	18	39	65	136
105	EAD50/16-04002	Y2-112M-2	4	100	400	4	400	220	408	864	80	560	750	32.5	60	294	330	16	39	43	104
106	EAD50/16-03004	Y2-100L2-4	3	100	400	4	385	220	390	849	80	560	750	32.5	60	294	330	16	39	37	98
107	EAD50/16-02204	Y2-100L1-4	2.2	100	400	4	385	220	390	849	80	560	750	32.5	60	294	330	16	39	34	95
108	EAD50/16-01504	Y2-90L-4	1.5	100	400	4	345	220	380	809	80	560	750	32.5	60	294	330	16	39	27	87
109	EAD50/16-01104	Y2-90S-4	1.1	100	400	4	320	220	380	784	80	560	750	32.5	60	294	330	16	39	22	83
110	EAD50/16-00754	Y2-802-4	0.75	100	400	4	295	220	360	759	80	560	750	32.5	60	294	330	16	39	17	78
111	EAD50/16-00554	Y2-801-4	0.55	100	400	4	295	220	360	759	80	560	750	32.5	60	294	330	16	39	16	77
112	EAD50/20-30002	Y2-200L1-2	30	100	490	4	765	290	590	1229	85	750	1100	35.5	90	417	460	18	49	224	333
113	EAD50/20-22002	Y2-180M-2	22	100	453	4	690	253	513	1154	70	780	1000	35.5	73	387	420	18	49	155	251
114	EAD50/20-18502	Y2-160L-2	18.5	100	433	4	660	233	473	1124	70	780	1000	35.5	73	387	420	18	49	133	220
115	EAD50/20-15002	Y2-160M2-2	15	100	433	4	605	233	473	1069	70	780	1000	35.5	73	387	420	18	49	109	196
116	EAD50/20-11002	Y2-160M1-2	11	100	433	4	605	233	473	1069	70	780	1000	35.5	73	387	420	18	49	108	195
117	EAD50/20-07502	Y2-132S2-2	7.5	100	433	4	470	233	446	934	70	630	800	35.5	73	317	350	18	49	69	150
118	EAD50/20-04004	Y2-112M-4	4	100	420	4	400	220	408	864	80	560	750	35.5	60	294	330	16	49	47	118
119	EAD50/20-03004	Y2-100L2-4	3	100	420	4	385	220	390	849	80	560	750	35.5	60	294	330	16	49	37	108
120	EAD50/20-02204	Y2-100L1-4	2.2	100	420	4	385	220	390	849	80	560	750	35.5	60	294	330	16	49	34	105
121	EAD50/20-01504	Y2-90L-4	1.5	100	420	4	345	220	380	809	80	560	750	35.5	60	294	330	16	49	27	97
122	EAD50/20-01104	Y2-90S-4	1.1	100	420	4	320	220	380	784	80	560	750	35.5	60	294	330	16	49	22	93
123	EAD50/26G-37002	Y2-200L2-2	37	100	515	4	765	290	590	1339	85	830	1200	35.5	90	417	460	18	65	235	357
124	EAD50/26G-30002	Y2-200L1-2	30	100	515	4	765	290	590	1339	85	830	1200	35.5	90	417	460	18	65	224	347
125	EAD50/26G-22002	Y2-180M-2	22	100	478	4	690	253	513	1264	80	890	1100	35.5	73	387	420	18	65	155	268
126	EAD50/26G-37002	Y2-200L2-2	37	100	515	4	765	290	590	1229	85	750	1100	35.5	90	417	460	18	68	235	360
127	EAD50/26G-30002	Y2-200L1-2	30	100	515	4	765	290	590	1229	85	750	1100	35.5	90	417	460	18	68	224	350
128	EAD50/26-22002	Y2-180M-2	22	100	478	4	690	253	513	1154	70	780	1000	35.5	73	387	420	18	68	155	269
129	EAD50/26-18502	Y2-160L-2	18.5	100	478	4	660	253	493	1124	70	780	1000	35.5	73	387	420	18	68	133	239
130	EAD50/26-11004	Y2-160M-4	11	100	478	4	605	253	493	1069	70	780	1000	35.5	73	387	420	18	68	108	215
131	EAD50/26-07504	Y2-132M-4	7.5	100	478	4	510	253	466	974	70	680	900	35.5	73	387	420	18	68	79	183
132	EAD50/26-05504	Y2-132S-4	5.5	100	478	4	470	253	466	934	70	680	900	35.5	73	387	420	18	68	65	169
133	EAD50/26-04004	Y2-112M-4	4	100	478	4	400	253	441	864	70	630	800	35.5	73	387	420	18	68	47	143
134	EAD50/26-03004	Y2-100L2-4	3	100	478	4	385	253	423	849	70	630	800	35.5	73	387	420	18	68	37	138
135	EAD50/32G-75002	Y2-280S-2	75	125	655	6	980	375	755	1637	100	1070	1450	57.5	95	557	600	18	105	485	689
136	EAD50/32G-55002	Y2-250M-2	55	125	620	4	910	340	705	1565	110	960	1450	57.5	90	507	550	18	105	373	570
137	EAD50/32G-45002	Y2-225M-2	45	125	595	4	805	315	640	1460	110	900	1300	57.5	90	457	500	18	105	286	457
138	EAD50/32G-37002	Y2-200L2-2	37	125	595	4	765	315	615	1420	85	880	1200	57.5	90	417	460	18	105	235	398
139	EAD50/32G-30002	Y2-200L1-2	30	125	595	4	765	315	615	1420	85	880	1200	57.5	90	417	460	18	105	224	388
140	EAD50/32-75002	Y2-280S-2	75	125	655	6	980	375	755	1581	100	1070	1450	57.5	95	557	600	18	100	485	684
141	EAD50/32-55002	Y2-250M-2	55	125	620	4	910	340	705	1509	110	950	1300	57.5	90	507	550	18	100	373	562
142	EAD50/32-45002	Y2-225M-2	45	125	595	4	805	315	640	1404	85	860	1200	57.5	90	457	500	18	100	286	450
143	EAD50/32-37002	Y2-200L2-2	37	125	595	4	765	315	615	1364	85	830	1200	57.5	90	417	460	18	100	235	393
144	EAD50/32-30002	Y2-200L1-2	30	125	595	4	765	315	615	1364	85	830	1200	57.5	90	417	460	18	100	224	383
145	EAD50/32-18504	Y2-180M-4	18.5	125	578	4	690	298	558	1289	80	890	1100	57.5	73	387	420	18	100	157	306
146	EAD50/32-15004	Y2-160L-4	15	125	578	4	660	298	538	1259	80	890	1100	57.5	73	387	420	18	100	129	271
147	EAD50/32-11004	Y2-160M-4	11	125	578	4	605	298	538	1204	80	890	1100	57.5	73	387	420	18	100	108	250
148	EAD50/32-07504	Y2-132M-4	7.5	125	578	4	510	298	511	1109	80	800	1000	57.5	73	387	420	18	100	79	217
149	EAD50/32-05504	Y2-132S-4	5.5	125	578	4	470	298	511	1069	80	800	1000	57.5	73	387	420	18	100	65	204
150	EAD65/13-15002	Y2-160M2-2	15	100	413	4	605	233	473	1069	70	780	1000	32.5	73	387	420	18	41	109	188
151	EAD65/13-11002	Y2-160M1-2	11	100	413	4	605	233	473	1069	70	780	1000	32.5	73	387	420	18	41	108	187
152	EAD65/13-07502	Y2-132S2-2	7.5	100	413	4	470	233	446	934	70	630	800	32.5	73	317	350	18	41	69	142
153	EAD65/13-05502	Y2-132S1-2	5.5	100	413	4	470	233	446	934	70	630	800	32.5	73	317	350	18	41	65	138
154	EAD65/13-02204	Y2-100L1-4	2.2	100	400	4	385	220	390	849	80	560	750	32.5	60	294	330	16	41	34	96
155	EAD65/13-01504	Y2-90L-4	1.5	100	400	4	345	220	380	809	80	560	750	32.5	60	294	330	16	41	27	89
156	EAD65/13-01104	Y2-90S-4	1.1	100	400	4	320	220	380	784	80	560	750	32.5	60	294	330	16	41	22	85
157	EAD65/13-00754	Y2-802-4	0.75	100	400	4	295	220	360	759	80	560	750	32.5	60	294	330	16	41	17	80
158	EAD65/16-30002	Y2-200L1-2	30	100	490	4	765	290	590	1229	85	750	1100	20	90	417	460	18	47	224	331
159	EAD65/16-22002	Y2-180M-2	22	100	453	4	690	253	513	1154	70	780	1000	20	73	387	420	18	47	155	249
160	EAD65/16-18502	Y2-160L-2	18.5	100	433	4	660	233	473	1124	70	780	1000	20	73	387	420	18	47	133	218
161	EAD65/16-15002	Y2-160M2-2	15	100	433	4	605	233	473	1069	70	780	1000	20	73	387	420	18	47	109	194



No.	EAD Series	Motor(B3)	Installation Dimensions(mm)															Weight(kg)			
			Model	kw	a	H	c	L4	H1	H2	L	L1	L2	L3	s	w	B1	B	Ød	Pump	Motor
162	EAD65/16-11002	Y2-160M1-2	11	100	433	4	605	233	473	1069	70	780	1000	20	73	387	420	18	47	108	193
163	EAD65/16-07502	Y2-132S2-2	7.5	100	433	4	470	233	446	934	70	630	800	20	73	317	350	18	47	69	148
164	EAD65/16-05502	Y2-132S1-2	5.5	100	433	4	470	233	446	934	70	630	800	20	73	317	350	18	47	65	144
165	EAD65/16-04004	Y2-112M-4	4	100	420	4	400	220	408	864	80	560	750	32.5	60	294	330	16	47	47	116
166	EAD65/16-03004	Y2-100L2-4	3	100	420	4	385	220	390	849	80	560	750	32.5	60	294	330	16	47	37	105
167	EAD65/16-02204	Y2-100L1-4	2.2	100	420	4	385	220	390	849	80	560	750	32.5	60	294	330	16	47	34	102
168	EAD65/16-01504	Y2-90L-4	1.5	100	420	4	345	220	380	809	80	560	750	32.5	60	294	330	16	47	27	95
169	EAD65/16-01104	Y2-90S-4	1.1	100	420	4	320	220	380	784	80	560	750	32.5	60	294	330	16	47	22	91
170	EAD65/20G-37002	Y2-200L2-2	37	100	515	4	765	290	590	1334	85	830	1200	37.5	90	417	460	18	60	235	354
171	EAD65/20G-30002	Y2-200L1-2	30	100	515	4	765	290	590	1334	85	830	1200	37.5	90	417	460	18	60	224	343
172	EAD65/20-37002	Y2-200L2-2	37	100	515	4	765	290	590	1229	85	750	1100	37.5	90	417	460	18	55	235	347
173	EAD65/20-30002	Y2-200L1-2	30	100	515	4	765	290	590	1229	85	750	1100	37.5	90	417	460	18	55	224	337
174	EAD65/20-22002	Y2-180M-2	22	100	478	4	690	253	513	1154	70	780	1000	37.5	73	387	420	18	55	155	256
175	EAD65/20-18502	Y2-160L-2	18.5	100	478	4	660	253	493	1124	70	780	1000	37.5	73	387	420	18	55	133	226
176	EAD65/20-15002	Y2-160M2-2	15	100	478	4	605	253	493	1069	70	780	1000	37.5	73	387	420	18	55	109	203
177	EAD65/20-07504	Y2-132M-4	7.5	100	478	4	510	253	466	974	70	680	900	37.5	73	387	420	18	55	79	170
178	EAD65/20-05504	Y2-132S-4	5.5	100	478	4	470	253	466	934	70	680	900	37.5	73	387	420	18	55	65	156
179	EAD65/20-04004	Y2-112M-4	4	100	478	4	400	253	441	864	70	630	800	37.5	73	387	420	18	55	47	130
180	EAD65/20-03004	Y2-100L2-4	3	100	478	4	385	253	423	849	70	630	800	37.5	73	387	420	18	55	37	120
181	EAD65/20-02204	Y2-100L1-4	2.2	100	478	4	385	253	423	849	70	630	800	37.5	73	387	420	18	55	34	117
182	EAD65/26-90002	Y2-280M-2	90	100	625	6	1030	375	755	1606	100	1070	1450	15	95	557	600	18	87	541	731
183	EAD65/26-75002	Y2-280S-2	75	100	625	6	980	375	755	1556	100	1070	1450	15	95	557	600	18	87	485	675
184	EAD65/26-55002	Y2-250M-2	55	100	590	4	910	340	705	1484	110	950	1300	15	90	507	550	18	87	373	554
185	EAD65/26-45002	Y2-225M-2	45	100	565	4	805	315	640	1379	85	890	1200	15	90	457	500	18	87	286	441
186	EAD65/26-37002	Y2-200L2-2	37	100	540	4	765	290	590	1339	85	830	1200	15	90	417	460	18	87	235	380
187	EAD65/26-30002	Y2-200L1-2	30	100	540	4	765	290	590	1339	85	830	1200	15	90	417	460	18	87	224	370
188	EAD65/26-15004	Y2-160L-4	15	100	523	4	660	273	513	1234	80	890	1100	15	73	387	420	18	87	129	257
189	EAD65/26-11004	Y2-160M-4	11	100	523	4	605	273	513	1179	80	890	1100	15	73	387	420	18	87	108	237
190	EAD65/26-07504	Y2-132M-4	7.5	100	523	4	510	273	486	1084	80	800	1000	15	73	387	420	18	87	79	204
191	EAD65/26-05504	Y2-132S-4	5.5	100	523	4	470	273	486	1044	80	800	1000	15	73	387	420	18	87	65	191
192	EAD65/26-04004	Y2-112M-4	4	100	523	4	400	273	461	974	80	690	900	15	73	387	420	18	87	47	170
193	EAD65/32G-90002	Y2-280M-2	90	125	655	6	1030	375	755	1686	100	1070	1450	40	95	557	600	18	120	541	762
194	EAD65/32G-75002	Y2-280S-2	75	125	655	6	980	375	755	1636	100	1070	1450	40	95	557	600	18	120	485	706
195	EAD65/32G-55002	Y2-250M-2	55	125	620	4	910	340	705	1564	110	1010	1450	40	90	507	550	18	120	373	586
196	EAD65/32G-45002	Y2-225M-2	45	125	595	4	805	315	640	1459	110	900	1300	40	90	457	500	18	120	286	473
197	EAD65/32-90002	Y2-280M-2	90	125	655	6	1030	375	755	1631	100	1070	1450	40	95	557	600	18	110	541	752
198	EAD65/32-75002	Y2-280S-2	75	125	655	6	980	375	755	1581	100	1070	1450	40	95	557	600	18	110	485	696
199	EAD65/32-55002	Y2-250M-2	55	125	620	4	910	340	705	1509	110	950	1300	40	90	507	550	18	110	373	573
200	EAD65/32-45002	Y2-225M-2	45	125	595	4	805	315	640	1404	85	880	1200	40	90	457	500	18	110	286	462
201	EAD65/32-22004	Y2-180L-4	22	125	595	4	725	315	575	1324	85	830	1200	40	90	417	460	18	110	179	348
202	EAD65/32-18504	Y2-180M-4	18.5	125	595	4	690	315	575	1289	85	830	1200	40	90	417	460	18	110	157	326
203	EAD65/32-15004	Y2-160L-4	15	125	595	4	660	315	555	1259	85	900	1100	40	90	417	460	18	110	129	288
204	EAD65/32-11004	Y2-160M-4	11	125	595	4	605	315	555	1204	85	900	1100	40	90	417	460	18	110	108	287
205	EAD65/32-07504	Y2-132M-4	7.5	125	595	4	510	315	528	1109	85	800	1000	40	90	417	460	18	110	79	235
206	EAD65/32-05504	Y2-132S-4	5.5	125	595	4	470	315	528	1069	85	800	1000	40	90	417	460	18	110	65	222
207	EAD80/16-45002	Y2-225M-2	45	125	540	4	805	315	640	1294	85	750	1100	57.5	90	457	500	18	53	286	339
208	EAD80/16-37002	Y2-200L2-2	37	125	515	4	765	290	590	1254	85	750	1100	57.5	90	417	460	18	53	235	345
209	EAD80/16-30002	Y2-200L1-2	30	125	515	4	765	290	590	1254	85	750	1100	57.5	90	417	460	18	53	224	335
210	EAD80/16-22002	Y2-180M-2	22	125	478	4	690	253	513	1179	70	780	1000	57.5	73	387	420	18	53	155	254
211	EAD80/16-18502	Y2-160L-2	18.5	125	478	4	660	253	493	1149	70	780	1000	57.5	73	387	420	18	53	133	224
212	EAD80/16-15002	Y2-160M2-2	15	125	478	4	605	253	493	1094	70	780	1000	57.5	73	387	420	18	53	109	201
213	EAD80/16-11002	Y2-160M1-2	11	125	478	4	605	253	493	1094	70	780	1000	57.5	73	387	420	18	53	108	200
214	EAD80/16-05504	Y2-132S-4	5.5	125	478	4	470	253	466	959	70	680	900	57.5	73	387	420	18	53	65	154
215	EAD80/16-04004	Y2-112M-4	4	125	478	4	400	253	441	889	70	630	800	57.5	73	387	420	18	53	47	128
216	EAD80/16-03004	Y2-100L2-4	3	125	478	4	385	253	423	874	70	630	800	57.5	73	387	420	18	53	37	118
217	EAD80/16-02204	Y2-100L1-4	2.2	125	478	4	385	253	423	874	70	630	800	57.5	73	387	420	18	53	34	115
218	EAD80/16-01504	Y2-90L-4	1.5	125	478	4	345	253	413	834	70	630	800	57.5	73	387	420	18	53	27	107
219	EAD80/20-75002	Y2-280S-2	75	125	625	6	980	375	755	1581	100	1070	1450	57.5	95	557	600	18	76	485	661
220	EAD80/20-55002	Y2-250M-2	55	125	590	4	910	340	705	1509	110	950	1300	57.5	90	507	550	18	76	373	542
221	EAD80/20-45002	Y2-225M-2	45	125	565	4	805	315	640	1404	85	860	1200	57.5	90	457	500	18	76	286	431



No.	EAD Series		Motor(B3)			Installation Dimensions(mm)													Weight(kg)		
	Model	Model	kw	a	H	c	L4	H1	H2	L	L1	L2	L3	s	w	B1	B	Ød	Pump	Motor	Total
222	EAD80/20-37002	Y2-200L2-2	37	125	540	4	765	290	590	1364	85	830	1200	57.5	90	417	460	18	76	235	368
223	EAD80/20-30002	Y2-200L1-2	30	125	540	4	765	290	590	1364	85	830	1200	57.5	90	417	460	18	76	224	358
224	EAD80/20-22002	Y2-180M-2	22	125	503	4	690	253	513	1289	80	890	1100	57.5	73	387	420	18	76	155	279
225	EAD80/20-11004	Y2-160M-4	11	125	503	4	605	253	493	1204	80	890	1100	57.5	73	387	420	18	76	108	224
226	EAD80/20-07504	Y2-132M-4	7.5	125	503	4	510	253	466	1109	80	800	1000	57.5	73	387	420	18	76	79	192
227	EAD80/20-05504	Y2-132S-4	5.5	125	503	4	470	253	466	1069	80	800	1000	57.5	73	387	420	18	76	65	179
228	EAD80/20-04004	Y2-112M-4	4	125	503	4	400	253	441	999	80	690	900	57.5	73	387	420	18	76	47	158
229	EAD80/20-03004	Y2-100L2-4	3	125	503	4	385	253	423	984	80	690	900	57.5	73	387	420	18	76	37	148
230	EAD80/26-132002	Y2-315M-2	132	125	710	6	1290	430	945	1891	110	1050	1500	40	115	657	700	18	95	949	1175
231	EAD80/26-110002	Y2-315S-2	110	125	710	6	1180	430	940	1781	110	1050	1500	40	115	657	700	18	95	867	1094
232	EAD80/26-90002	Y2-280M-2	90	125	655	6	1030	375	755	1631	100	1070	1450	40	95	557	600	18	95	541	738
233	EAD80/26-75002	Y2-280S-2	75	125	655	6	980	375	755	1581	100	1070	1450	40	95	557	600	18	95	485	682
234	EAD80/26-55002	Y2-250M-2	55	125	620	4	910	340	705	1509	110	950	1300	40	90	507	550	18	95	373	561
235	EAD80/26-45002	Y2-225M-2	45	125	595	4	805	315	640	1404	85	860	1200	40	90	457	500	18	95	286	448
236	EAD80/26-37002	Y2-200L2-2	37	125	570	4	765	290	590	1364	85	860	1200	40	90	417	460	18	95	235	388
237	EAD80/26-18504	Y2-180M-4	18.5	125	553	4	690	273	533	1289	80	890	1100	40	73	417	450	18	95	157	302
238	EAD80/26-15004	Y2-160L-4	15	125	553	4	660	273	513	1259	80	890	1100	40	73	417	450	18	95	129	266
239	EAD80/26-11004	Y2-160M-4	11	125	553	4	605	273	513	1204	80	890	1100	40	73	417	450	18	95	108	246
240	EAD80/26-07504	Y2-132M-4	7.5	125	553	4	510	273	486	1109	80	800	1000	40	73	417	450	18	95	79	213
241	EAD80/26-05504	Y2-132S-4	5.5	125	553	4	470	273	486	1069	80	800	1000	40	73	417	450	18	95	65	200
242	EAD80/26-04004	Y2-112M-4	4	125	553	4	400	273	461	999	80	690	900	40	73	417	450	18	95	47	180
243	EAD80/32G-132002	Y2-315M-2	132	125	745	6	1290	430	945	1947	110	1150	1650	43	115	657	700	18	130	949	1211
244	EAD80/32G-110002	Y2-315S-2	110	125	745	6	1180	430	940	1837	110	1150	1650	43	115	657	700	18	130	867	1129
245	EAD80/32G-90002	Y2-280M-2	90	125	690	6	1030	375	755	1687	100	1070	1450	42.5	95	557	600	18	130	541	765
246	EAD80/32G-75002	Y2-280S-2	75	125	690	6	980	375	755	1637	100	1070	1450	42.5	95	557	600	18	130	485	709
247	EAD80/32-132002	Y2-315M-2	132	125	745	6	1290	430	945	1891	110	1100	1500	42.5	115	657	700	18	114	949	1192
248	EAD80/32-110002	Y2-315S-2	110	125	745	6	1180	430	940	1781	110	1100	1500	42.5	115	657	700	18	114	867	1110
249	EAD80/32-90002	Y2-280M-2	90	125	690	6	1030	375	755	1631	100	1070	1450	42.5	95	557	600	18	114	541	747
250	EAD80/32-75002	Y2-280S-2	75	125	690	6	980	375	755	1581	100	1070	1450	42.5	95	557	600	18	114	485	691
251	EAD80/32-37004	Y2-225S-4	37	125	655	4	810	340	670	1409	110	900	1300	42.5	90	457	500	18	114	301	499
252	EAD80/32-30004	Y2-200L-4	30	125	655	4	765	340	640	1364	85	850	1200	42.5	90	417	460	18	114	240	414
253	EAD80/32-22004	Y2-180L-4	22	125	655	4	725	340	600	1324	85	830	1200	42.5	90	417	460	18	114	179	353
254	EAD80/32-18504	Y2-180M-4	18.5	125	655	4	690	340	600	1289	85	830	1200	42.5	90	417	460	18	114	157	331
255	EAD80/32-15004	Y2-160L-4	15	125	655	4	660	340	580	1259	85	900	1100	42.5	90	417	460	18	114	129	293
256	EAD80/32-11004	Y2-160M-4	11	125	655	4	605	340	580	1204	85	900	1100	42.5	90	417	460	18	114	108	272
257	EAD80/32-07504	Y2-132M-4	7.5	125	655	4	510	340	553	1109	85	800	1000	42.5	90	417	460	18	114	79	240
258	EAD80/40-55004	Y2-250M-4	55	125	725	4	910	370	735	1569	110	1010	1450	40	90	507	550	18	160	383	635
259	EAD80/40-45004	Y2-225M-4	45	125	725	4	835	370	695	1494	110	950	1300	40	90	457	500	18	160	312	557
260	EAD80/40-37004	Y2-225S-4	37	125	725	4	810	370	700	1469	110	950	1300	40	90	457	500	18	160	301	546
261	EAD80/40-30004	Y2-200L-4	30	125	725	4	765	370	670	1424	110	900	1300	40	90	457	500	18	160	240	464
262	EAD80/40-22004	Y2-180L-4	22	125	725	4	725	370	630	1384	85	870	1200	40	90	457	500	18	160	179	401
263	EAD80/40-18504	Y2-180M-4	18.5	125	725	4	690	370	630	1349	85	870	1200	40	90	457	500	18	160	157	380
264	EAD80/40-15004	Y2-160L-4	15	125	725	4	660	370	610	1319	85	860	1200	40	90	457	500	18	160	129	351
265	EAD100/16-45002	Y2-225M-2	45	125	565	4	805	315	640	1404	85	890	1200	49	90	457	500	18	87	286	441
266	EAD100/16-37002	Y2-200L2-2	37	125	540	4	765	290	590	1364	85	830	1200	49	90	417	460	18	87	235	380
267	EAD100/16-30002	Y2-200L1-2	30	125	540	4	765	290	590	1364	85	830	1200	49	90	417	460	18	87	224	370
268	EAD100/16-22002	Y2-180M-2	22	125	523	4	690	273	533	1289	80	890	1100	49	73	387	420	18	87	155	291
269	EAD100/16-18502	Y2-160L-2	18.5	125	523	4	660	273	513	1259	80	890	1100	49	73	387	420	18	87	133	261
270	EAD100/16-15002	Y2-160M2-2	15	125	523	4	605	273	513	1204	80	890	1100	49	73	387	420	18	87	109	238
271	EAD100/16-07504	Y2-132M-4	7.5	125	523	4	510	273	486	1109	80	800	1000	49	73	387	420	18	87	79	204
272	EAD100/16-05504	Y2-132S-4	5.5	125	523	4	470	273	486	1069	80	800	1000	49	73	387	420	18	87	65	191
273	EAD100/16-04004	Y2-112M-4	4	125	523	4	400	273	461	999	80	690	900	49	73	387	420	18	87	47	170
274	EAD100/16-03004	Y2-100L2-4	3	125	523	4	385	273	443	984	80	690	900	49	73	387	420	18	87	37	160
275	EAD100/16-02204	Y2-100L1-4	2.2	125	523	4	385	273	443	984	80	690	900	49	73	387	420	18	87	34	157
276	EAD100/20-110002	Y2-315S-2	110	125	710	6	1180	430	940	1781	110	1050	1500	40	115	657	700	18	84	867	1084
277	EAD100/20-90002	Y2-280M-2	90	125	655	6	1030	375	755	1631	100	1070	1450	40	95	557	600	18	84	541	728
278	EAD100/20-75002	Y2-280S-2	75	125	655	6	980	375	755	1581	100	1070	1450	40	95	557	600	18	84	485	672
279	EAD100/20-55002	Y2-250M-2	55	125	620	4	910	340	705	1509	110	950	1300	40	90	507	550	18	84	373	551
280	EAD100/20-45002	Y2-225M-2	45	125	595	4	805	315	640	1404	85	890	1200	40	90	457	500	18	84	286	438
281	EAD100/20-37002	Y2-200L2-2	37	125	570	4	765	290	590	1364	85	830	1200	40	90	417	460	18	84	235	377
282	EAD100/20-30002	Y2-200L1-2	30	125	570	4	765	290	590	1364	85	830	1200	40	90	417	460	18	84	224	367
283	EAD100/20-15004	Y2-160L-4	15	125	553	4	660	273	513	1259	80	890	1100	40	73	387	420	18	84	129	254



No.	EAD Series	Motor(B3)		Installation Dimensions(mm)															Weight(kg)		
		Model	kw	a	H	c	L4	H1	H2	L	L1	L2	L3	s	w	B1	B	Ød	Pump	Motor	Total
284	EAD100/20-11004	Y2-160M-4	11	125	553	4	605	273	513	1204	80	890	1100	40	73	387	420	18	84	108	234
285	EAD100/20-07504	Y2-132M-4	7.5	125	553	4	510	273	486	1109	80	800	1000	40	73	387	420	18	84	79	201
286	EAD100/20-05504	Y2-132S-4	5.5	125	553	4	470	273	486	1069	80	800	1000	40	73	387	420	18	84	65	188
287	EAD100/20-04004	Y2-112M-4	4	125	553	4	400	273	461	999	80	690	900	40	73	387	420	18	84	47	167
288	EAD100/20-03004	Y2-100L2-4	4	125	553	4	385	273	443	984	80	690	900	40	73	387	420	18	84	37	157
289	EAD100/26-132002	Y2-315M-2	132	140	710	6	1290	430	945	1906	110	1050	1500	55	115	657	700	18	102	949	1181
290	EAD100/26-110002	Y2-315S-2	110	140	710	6	1180	430	940	1796	110	1050	1500	55	115	657	700	18	102	867	1100
291	EAD100/26-90002	Y2-280M-2	90	140	655	6	1030	375	755	1646	100	1070	1450	55	95	557	600	18	102	541	744
292	EAD100/26-75002	Y2-280S-2	75	140	655	6	980	375	755	1596	100	1070	1450	55	95	557	600	18	102	485	688
293	EAD100/26-55002	Y2-250M-2	55	140	620	4	910	340	705	1524	110	950	1300	55	90	507	550	18	102	373	565
294	EAD100/26-30004	Y2-200L-4	30	140	595	4	765	315	615	1379	85	870	1200	55	90	417	460	18	102	240	401
295	EAD100/26-22004	Y2-180L-4	22	140	595	4	725	315	575	1339	85	830	1200	55	90	417	460	18	102	179	340
296	EAD100/26-18504	Y2-180M-4	18.5	140	595	4	690	315	575	1304	85	830	1200	55	90	417	460	18	102	157	318
297	EAD100/26-15004	Y2-160L-4	15	140	595	4	660	315	555	1274	85	900	1100	55	90	417	460	18	102	129	280
298	EAD100/26-11004	Y2-160M-4	11	140	595	4	605	315	555	1219	85	900	1100	55	90	417	460	18	102	108	259
299	EAD100/26-07504	Y2-132M-4	7.5	140	595	4	510	315	528	1124	85	800	1000	55	90	417	460	18	102	79	227
300	EAD100/32-45004	Y2-225M-4	45	140	655	4	835	340	665	1449	110	900	1300	57.5	90	457	500	18	118	312	514
301	EAD100/32-37004	Y2-225S-4	37	140	655	4	810	340	670	1424	110	900	1300	57.5	90	457	500	18	118	301	503
302	EAD100/32-30004	Y2-200L-4	30	140	655	4	765	340	640	1379	85	850	1200	57.5	90	417	460	18	118	240	418
303	EAD100/32-22004	Y2-180L-4	22	140	655	4	725	340	600	1339	85	830	1200	57.5	90	417	460	18	118	179	357
304	EAD100/32-18504	Y2-180M-4	18.5	140	655	4	690	340	600	1304	85	830	1200	57.5	90	417	460	18	118	157	335
305	EAD100/32-15004	Y2-160L-4	15	140	655	4	660	340	580	1274	85	900	1100	57.5	90	417	460	18	118	129	297
306	EAD100/32-11004	Y2-160M-4	11	140	655	4	605	340	580	1219	85	900	1100	57.5	90	417	460	18	118	108	276
307	EAD100/40-75004	Y2-280S-4	75	140	730	6	980	375	755	1656	100	1070	1450	35	95	557	600	18	176	544	827
308	EAD100/40-55004	Y2-250M-4	55	140	725	4	910	370	735	1584	110	1010	1450	35	90	507	550	18	176	383	650
309	EAD100/40-45004	Y2-225M-4	45	140	725	4	835	370	695	1509	110	950	1300	35	90	507	550	18	176	312	577
310	EAD100/40-37004	Y2-225S-4	37	140	725	4	810	370	700	1484	110	950	1300	35	90	507	550	18	176	301	565
311	EAD100/40-30004	Y2-200L-4	30	140	725	4	765	370	670	1439	110	900	1300	35	90	507	550	18	176	240	483
312	EAD100/40-22004	Y2-180L-4	22	140	725	4	725	370	630	1399	110	900	1300	35	90	507	550	18	176	179	422
313	EAD125/20-75002	Y2-280S-2	75	140	690	6	980	375	755	1596	100	1070	1450	62.5	95	557	600	18	112	485	689
314	EAD125/20-55002	Y2-250M-2	55	140	655	4	910	340	705	1524	110	950	1300	62.5	90	507	550	18	112	373	575
315	EAD125/20-45002	Y2-225M-2	45	140	655	4	805	340	665	1419	110	860	1300	62.5	90	457	500	18	112	286	468
316	EAD125/20-18504	Y2-180M-4	18.5	140	655	4	690	340	600	1304	85	830	1200	62.5	90	417	460	18	112	157	329
317	EAD125/20-15004	Y2-160L-4	15	140	655	4	660	340	580	1274	85	900	1100	62.5	90	417	460	18	112	129	291
318	EAD125/20-11004	Y2-160M-4	11	140	655	4	605	340	580	1219	85	900	1100	62.5	90	417	460	18	112	108	270
319	EAD125/20-07504	Y2-132M-4	7.5	140	655	4	510	340	553	1124	85	800	1000	62.5	90	417	460	18	112	79	238
320	EAD125/20-05504	Y2-132S-4	5.5	140	655	4	470	340	553	1084	85	800	1000	62.5	90	417	460	18	112	65	225
321	EAD125/26-37004	Y2-225S-4	37	140	695	4	810	340	670	1424	110	900	1300	57.5	90	457	500	18	117	301	502
322	EAD125/26-30004	Y2-200L-4	30	140	695	4	765	340	640	1379	85	850	1200	57.5	90	417	460	18	117	240	417
323	EAD125/26-22004	Y2-180L-4	22	140	695	4	725	340	600	1339	85	830	1200	57.5	90	417	460	18	117	179	356
324	EAD125/26-18504	Y2-180M-4	18.5	140	695	4	690	340	600	1304	85	830	1200	57.5	90	417	460	18	117	157	334
325	EAD125/26-15004	Y2-160L-4	15	140	695	4	660	340	580	1274	85	900	1100	57.5	90	417	460	18	117	129	296
326	EAD125/26-11004	Y2-160M-4	11	140	695	4	605	340	580	1219	85	900	1100	57.5	90	417	460	18	117	108	275
327	EAD125/32-55004	Y2-250M-4	55	140	725	4	910	370	735	1584	110	1010	1450	35	90	507	550	18	155	383	629
328	EAD125/32-45004	Y2-225M-4	45	140	725	4	835	370	695	1509	110	950	1300	35	90	507	550	18	155	312	556
329	EAD125/32-37004	Y2-225S-4	37	140	725	4	810	370	700	1484	110	950	1300	35	90	507	550	18	155	301	544
330	EAD125/32-30004	Y2-200L-4	30	140	725	4	765	370	670	1439	110	900	1300	35	90	507	550	18	155	240	462
331	EAD125/32-22004	Y2-180L-4	22	140	725	4	725	370	630	1399	110	900	1300	35	90	507	550	18	155	179	401
332	EAD125/32-18504	Y2-180M-4	18.5	140	725	4	690	370	630	1364	110	900	1300	35	90	507	550	18	155	157	379
333	EAD125/32-15004	Y2-160L-4	15	140	725	4	660	370	610	1334	85	860	1200	35	90	507	550	18	155	129	341
334	EAD125/40-110004	Y2-315S-4	110	180	830	6	1275	430	940	1991	110	1150	1650	55	115	657	700	18	178	836	1153
335	EAD125/40-90004	Y2-280M-4	90	180	810	6	1030	410	790	1746	100	1070	1450	55	95	557	600	18	178	587	872
336	EAD125/40-75004	Y2-280S-4	75	180	810	6	980	410	790	1696	100	1070	1452	55	95	557	600	18	178	544	830
337	EAD125/40-55004	Y2-250M-4	55	180	805	4	910	405	770	1624	110	1010	1450	55	90	507	550	18	178	383	655
338	EAD125/40-45004	Y2-225M-4	45	180	805	4	835	405	730	1549	110	950	1300	55	90	507	550	18	178	312	580
339	EAD125/40-37004	Y2-225S-4	37	180	805	4	810	405	735	1524	110	950	1300	55	90	507	550	18	178	301	569
340	EAD125/40-30004	Y2-200L-4	30	180	805	4	765	405	705	1479	110	900	1300	55	90	507	550	18	178	240	486
341	EAD125/50-160004	Y2-315L1-4	160	180	920	6	1320	470	985	2176	110	1350	1850	55	115	657	700	18	300	1020	1466
342	EAD125/50-132004	Y2-315M-4	132	180	920	6	1320	470	985	2176	110	1300	1750	55	115	657	700	18	300	979	1420
343	EAD125/50-110004	Y2-315S-4	110	180	920	6	1275	470	980	2131	110	1300	1750	55	115	657	700	18	300	836	1278
344	EAD125/50-90004	Y2-280M-4	90	180	920	6	1030	470	850	1886	110	1200	1650	55	115	657	700	18	300	587	1026
345	EAD125/50-75004	Y2-280S-4	75	180	920	6	980	470	850	1836	110	1200	1650	55	115	657	700	18	300	544	983



No.	EAD Series		Motor(B3)		Installation Dimensions(mm)													Weight(kg)			
	Model	Model	kw	a	H	c	L4	H1	H2	L	L1	L2	L3	s	w	B1	B	Ød	Pump	Motor	Total
346	EAD150/20-30004	Y2-200L-4	30	180	770	4	765	370	670	1449	105	890	1300	55	90	417	460	18	132	240	434
347	EAD150/20-22004	Y2-180L-4	22	180	770	4	725	370	630	1409	105	840	1200	55	90	417	460	18	132	179	372
348	EAD150/20-18504	Y2-180M-4	18.5	180	770	4	690	370	630	1374	105	840	1200	55	90	417	460	18	132	157	350
349	EAD150/20-15004	Y2-160L-4	15	180	770	4	660	370	610	1344	105	820	1200	55	90	417	460	18	132	129	313
350	EAD150/20-11004	Y2-160M-4	11	180	770	4	605	370	610	1289	105	820	1200	55	90	417	460	18	132	108	293
351	EAD150/26-55004	Y2-250M-4	55	180	695	4	910	340	705	1624	110	1010	1450	55	90	507	550	18	163	383	637
352	EAD150/26-45004	Y2-225M-4	45	180	695	4	835	340	665	1549	110	950	1300	55	90	457	500	18	163	312	561
353	EAD150/26-37004	Y2-225S-4	37	180	695	4	810	340	670	1524	110	950	1300	55	90	457	500	18	163	301	549
354	EAD150/26-30004	Y2-200L-4	30	180	695	4	765	340	640	1479	110	900	1300	55	90	457	500	18	163	240	467
355	EAD150/26-22004	Y2-180L-4	22	180	695	4	725	340	600	1439	85	870	1200	55	90	457	500	18	163	179	404
356	EAD150/26-18504	Y2-180M-4	18.5	180	695	4	690	340	600	1404	85	870	1200	55	90	457	500	18	163	157	383
357	EAD150/26-15004	Y2-160L-4	15	180	695	4	660	340	580	1374	85	880	1200	55	90	457	500	18	163	129	346
358	EAD150/32-90004	Y2-280M-4	90	180	775	6	1030	375	755	1746	100	1070	1450	60	95	557	600	18	170	587	864
359	EAD150/32-75004	Y2-280S-4	75	180	775	6	980	375	755	1696	100	1070	1450	60	95	557	600	18	170	544	822
360	EAD150/32-55004	Y2-250M-4	55	180	770	4	910	370	735	1624	110	1010	1450	60	90	557	600	18	170	383	648
361	EAD150/32-45004	Y2-225M-4	45	180	770	4	835	370	695	1549	110	950	1450	60	90	557	600	18	170	312	575
362	EAD150/32-37004	Y2-225S-4	37	180	770	4	810	370	700	1524	110	950	1450	60	90	557	600	18	170	301	564
363	EAD150/32-30004	Y2-200L-4	30	180	770	4	765	370	670	1479	110	900	1300	60	90	557	600	18	170	240	479
364	EAD150/32-22004	Y2-180L-4	22	180	770	4	725	370	630	1439	110	900	1300	60	90	557	600	18	170	179	418
365	EAD150/40-132004	Y2-315M-4	132	180	880	6	1320	430	945	2036	110	1150	1650	55	115	657	700	18	207	979	1323
366	EAD150/40-110004	Y2-315S-4	110	180	880	6	1275	430	940	1991	110	1150	1650	55	115	657	700	18	207	836	1180
367	EAD150/40-90004	Y2-280M-4	90	180	880	6	1030	430	810	1746	110	1080	1500	55	115	657	700	18	207	587	921
368	EAD150/40-75004	Y2-280S-4	75	180	880	6	980	430	810	1696	110	1080	1500	55	115	657	700	18	207	544	878
369	EAD150/40-55004	Y2-250M-4	55	180	875	4	910	425	790	1624	110	990	1400	55	110	557	600	18	207	383	696
370	EAD150/40-45004	Y2-225M-4	45	180	875	4	835	425	750	1549	110	990	1400	55	110	557	600	18	207	312	625
371	EAD150/40-37004	Y2-225S-4	37	180	875	4	810	425	755	1524	110	990	1400	55	110	557	600	18	207	301	619
372	EAD150/50-200004	Y2-315L2-4	200	180	990	6	1320	490	1005	2176	110	1350	1850	75	115	657	700	18	330	1102	1579
373	EAD150/50-160004	Y2-315L1-4	160	180	990	6	1320	490	1005	2176	110	1350	1850	75	115	657	700	18	330	1020	1497
374	EAD150/50-132004	Y2-315M-4	132	180	990	6	1320	490	1005	2176	110	1300	1750	75	115	657	700	18	330	979	1452
375	EAD150/50-110004	Y2-315S-4	110	180	990	6	1275	490	1000	2131	110	1300	1750	75	115	657	700	18	330	836	1309
376	EAD150/50-90004	Y2-280M-4	90	180	990	6	1030	490	870	1886	110	1200	1650	75	115	657	700	18	330	587	1056
377	EAD200/26-55004	Y2-250M-4	55	180	875	4	910	425	790	1649	110	990	1400	75	110	557	600	18	219	383	708
378	EAD200/26-45004	Y2-225M-4	45	180	875	4	835	425	750	1574	110	990	1400	75	110	557	600	18	219	312	635
379	EAD200/26-37004	Y2-225S-4	37	180	875	4	810	425	755	1549	110	990	1400	75	110	557	600	18	219	301	624
380	EAD200/26-30004	Y2-200L-4	30	180	875	4	765	425	725	1504	110	940	1300	75	110	557	600	18	219	240	539
381	EAD200/26-22004	Y2-180L-4	22	180	875	4	725	425	685	1464	110	940	1300	75	110	557	600	18	219	179	478
382	EAD200/26-18504	Y2-180M-4	18.5	180	875	4	690	425	685	1429	110	940	1300	75	110	557	600	18	219	157	457
383	EAD200/32-110004	Y2-315S-4	110	180	910	6	1275	430	940	2131	110	1300	1750	50	115	657	700	18	286	836	1263
384	EAD200/32-90004	Y2-280M-4	90	180	910	6	1030	430	810	1886	130	1210	1650	50	115	657	700	18	286	587	1005
385	EAD200/32-75004	Y2-280S-4	75	180	910	6	980	430	810	1836	130	1210	1650	50	115	657	700	18	286	544	962
386	EAD200/32-55004	Y2-250M-4	55	180	905	4	910	425	790	1764	130	1170	1600	50	110	607	650	18	286	383	784
387	EAD200/32-45004	Y2-225M-4	45	180	905	4	835	425	750	1689	130	1070	1500	50	110	607	650	18	286	312	709
388	EAD200/32-37004	Y2-225S-4	37	180	905	4	810	425	755	1664	130	1070	1500	50	110	607	650	18	286	301	698
389	EAD200/32-30004	Y2-200L-4	30	180	905	4	765	425	725	1619	130	1070	1500	50	110	607	650	18	286	240	614
390	EAD200/40-200004	Y2-315L2-4	200	180	930	6	1320	450	965	2176	130	1330	1850	50	115	657	700	18	328	1102	1576
391	EAD200/40-160004	Y2-315L1-4	160	180	930	6	1320	450	965	2176	130	1330	1850	50	115	657	700	18	328	1020	1494
392	EAD200/40-132004	Y2-315M-4	132	180	930	6	1320	450	965	2176	110	1300	1750	35	115	657	700	18	328	979	1449
393	EAD200/40-110004	Y2-315S-4	110	180	930	6	1275	450	960	2131	110	1300	1750	35	115	657	700	18	328	836	1306
394	EAD200/40-90004	Y2-280M-4	90	180	930	6	1030	450	830	1886	130	1210	1650	35	115	657	700	18	328	587	1047
395	EAD200/40-75004	Y2-280S-4	75	180	930	6	980	450	830	1836	130	1210	1650	35	115	657	700	18	328	544	1004
396	EAD200/40-55004	Y2-250M-4	55	180	925	4	910	445	810	1764	130	1170	1600	50	110	607	650	18	328	383	827
397	EAD200/50-315004	Y2-355L-4	315	200	1140	6	1540	580	1235	2466	110	1510	2100	95	155	800	850	18	450	1765	2457
398	EAD200/50-250004	Y2-355M-4	250	200	1140	6	1540	580	1235	2466	110	1510	2000	95	155	800	850	18	450	1612	2303
399	EAD200/50-200004	Y2-315L2-4	200	200	1100	6	1320	540	1055	2246	110	1420	1850	95	115	807	850	18	450	1102	1710
400	EAD200/50-160004	Y2-315L1-4	160	200	1100	6	1320	540	1055	2246	110	1420	1850	95	115	807	850	18	450	1020	1628
401	EAD200/50-132004	Y2-315M-4	132	200	1100	6	1320	540	1055	2246	110	1370	1750	95	115	807	850	18	450	979	1585
402	EAD200/50-110004	Y2-315S-4	110	200	1100	6	1275	540	1050	2201	110	1370	1750	95	115	807	850	18	450	836	1442
403	EAD250/32-160004	Y2-315L1-4	160	220	990	6	1320	470	985	2237	110	1300	1850	90	115	657	700	18	366	1020	1535
404	EAD250/32-132004	Y2-315M-4	132	220	990	6	1320	470	985	2237	110	1300	1850	90	115	657	700	18	366	979	1491
405	EAD250/32-110004	Y2-315S-4	110	220	990	6	1275	470	980	2192	110	1300	1850	90	115	657	700	18	366	836	1348
406	EAD250/32-90004	Y2-280M-4	90	220	990	6	1030	470	850	1947	130	1250	1650	90	115	657	700	18	366	587	1089
407	EAD250/32-75004	Y2-280S-4	75	220	990	6	980	470	8												



No.	EAD Series		Motor(B3)		Installation Dimensions(mm)														Weight(kg)		
	Model	Model	kw	a	H	c	L4	H1	H2	L	L1	L2	L3	s	w	B1	B	Ød	Pump	Motor	Total
408	EAD250/32-55004	Y2-250M-4	55	220	985	6	910	465	830	1827	130	1200	1850	90	110	657	700	18	366	383	871
409	EAD250/32-45004	Y2-225M-4	45	220	985	6	835	465	790	1752	130	1170	1500	90	110	657	700	18	366	312	795
410	EAD250/32-37004	Y2-225S-4	37	220	985	6	810	465	795	1727	130	1170	1500	90	110	657	700	18	366	301	783
411	EAD250/40-250004	Y2-355M-4	250	220	1115	6	1540	555	1210	2448	130	1370	2000	90	155	800	850	18	396	1612	2251
412	EAD250/40-200004	Y2-315L2-4	200	220	1075	6	1320	515	1030	2228	130	1350	1850	90	115	657	700	18	396	1102	1649
413	EAD250/40-160004	Y2-315L1-4	160	220	1075	6	1320	515	1030	2228	130	1350	1850	90	115	657	700	18	396	1020	1567
414	EAD250/40-132004	Y2-315M-4	132	220	1075	6	1320	515	1030	2228	110	1300	1850	90	115	657	700	18	396	979	1524
415	EAD250/40-110004	Y2-315S-4	110	220	1075	6	1275	515	1025	2183	110	1300	1850	90	115	657	700	18	396	836	1381
416	EAD250/40-90004	Y2-280M-4	90	220	1075	6	1030	515	895	1938	130	1250	1650	90	115	657	700	18	396	587	1121
417	EAD250/40-75004	Y2-280S-4	75	220	1075	6	980	515	895	1888	130	1250	1650	90	115	657	700	18	396	544	1078
418	EAD250/50-315004	Y2-355L-4	315	250	1275	6	1540	605	1260	2516	110	1450	2100	95	155	800	850	18	550	1765	2561
419	EAD250/50-250004	Y2-355M-4	250	250	1275	6	1540	605	1260	2516	110	1510	2000	95	155	800	850	18	550	1612	2406
420	EAD250/50-200004	Y2-315L2-4	200	250	1235	6	1320	565	1080	2296	130	1400	1850	125	115	807	850	18	550	1102	1811
421	EAD250/50-160004	Y2-315L1-4	160	250	1235	6	1320	565	1080	2296	130	1400	1850	125	115	807	850	18	550	1020	1730
422	EAD250/50-132004	Y2-315M-4	132	250	1235	6	1320	565	1080	2296	130	1400	1850	125	115	807	850	18	550	979	1686
423	EAD300/40-200004	Y2-315L2-4	200	300	965	6	1320	540	1055	2346	130	1400	1850	170	115	807	850	18	550	1102	1810
424	EAD300/40-160004	Y2-315L1-4	160	300	965	6	1320	540	1055	2346	130	1400	1850	172	115	807	850	18	550	1020	1728
425	EAD300/40-132004	Y2-315M-4	132	300	965	6	1320	540	1055	2346	130	1400	1850	170	115	807	850	18	550	979	1685
426	EAD300/40-110004	Y2-315S-4	110	300	965	6	1275	540	1050	2301	130	1400	1850	170	115	807	850	18	550	836	1542
427	EAD300/40-90004	Y2-280M-4	90	300	965	6	1030	540	920	2056	130	1300	1750	170	115	807	850	18	550	587	1283



EA 50Hz

EA	Capacity		Head	Speed	Power(kw)		Motor Model	Eff	Impeller Dia.	(NPSH) _r
	m ³ /h	L/s			kw	kw				
Model	m ³ /h	L/s	m	r/min	kw	kw		%	mm	m
EA32/13	9.0	2.50	26.0	2900	1.23	1.5	Y2-90L-2	52	139	1.4
	15.0	4.17	24.0		1.61	2.2	2.2KW	61		1.7
	18.0	5.00	22.5		1.78	2.2		62		2.5
EA32/13 A	8.4	2.34	22.0	2900	0.98	1.5	Y2-90L-2	51.5	130	1.4
	14.0	3.90	19.7		1.25	1.5	2.2KW	60		1.7
	16.8	4.68	18.0		1.36	2.2		60.5		2.5
EA32/13 B	7.8	2.16	18.0	2900	0.75	1.1	Y2-90S-2	51	120	1.4
	13.0	3.60	16.2		0.98	1.1	1.5KW	58.5		1.7
	15.6	4.32	14.5		1.06	1.5		58		2.5
EA32/13 C	7.1	1.98	14.8	2900	0.57	1.1	Y2-802-2	50	110	1.4
	11.9	3.30	13.0		0.74	1.1	1.1KW	57		1.7
	14.3	3.96	11.4		0.80	1.1		55.5		2.5
EA32/13 D	6.5	1.80	11.7	2900	0.43	0.75	Y2-802-2	48	100	1.4
	10.8	3.00	10.1		0.57	0.75	1.1KW	52		1.7
	13.0	3.60	8.7		0.59	1.1		52		2.5
EA32/16	10.8	3.00	42.0	2900	2.66	3	Y2-132S1-2	46.5	174	1.9
	18.0	5.00	39.0		3.41	4	5.5KW	56		2.2
	21.6	6.00	36.5		3.79	5.5		56.7		3.7
EA32/16 A	10.2	2.84	37.0	2900	2.27	3	Y2-112M-2	45.5	165	1.9
	17.1	4.74	34.6		2.90	3	4KW	55.5		2.2
	20.5	5.69	32.1		3.18	4		56.3		3.7
EA32/16 B	9.6	2.67	32.3	2900	1.92	3	Y2-112M-2	44	155	1.9
	16.0	4.45	30.5		2.44	3	4KW	54.5		2.2
	19.2	5.34	28.7		2.68	4		56		3.7
EA32/16 C	9.0	2.50	28.3	2900	1.61	2.2	Y2-100L-2	43	145	1.9
	15.0	4.17	26.5		2.04	3	3KW	53		2.2
	18.0	5.00	25.0		2.25	3		54.5		3.7
EA32/16 D	8.4	2.33	24.6	2900	1.40	2.2	Y2-90L-2	40	135	1.9
	14.0	3.88	22.7		1.69	2.2	2.2KW	51		2.2
	16.8	4.66	21.4		1.86	2.2		52.5		3.7
EA32/16 E	7.8	2.16	20.5	2900	1.11	1.1	Y2-90L-2	39	125	1.9
	12.9	3.59	19.2		1.39	2.2	2.2KW	48.5		2.2
	15.5	4.31	18.0		1.49	2.2		51		3.7
EA32/20	10.8	3.00	64.2	2900	4.84	5.5	Y2-160M1-2	39	214	1.7
	18.0	5.00	58.5		5.92	7.5	11KW	48.4		2
	21.6	6.00	54.1		6.59	11		48.3		2.3
EA32/20 A	10.3	2.87	58.3	2900	4.25	5.5	Y2-132S2-2	38.6	205	1.6
	17.2	4.79	53.0		5.16	7.5	7.5KW	48.2		1.95
	20.7	5.75	48.3		5.66	7.5		48.1		2.2
EA32/20 B	9.8	2.73	52.2	2900	3.62	5.5	Y2-132S2-2	38.6	195	1.6
	16.4	4.56	47.7		4.48	7.5	7.5KW	47.5		1.95
	19.7	5.47	43.2		4.92	7.5		47		2.2
EA32/20 C	9.3	2.59	47.2	2900	3.24	4	Y2-132S1-2	37	185	1.6
	15.6	4.32	42.5		3.87	5.5	5.5KW	46.5		1.95
	18.7	5.19	38.2		4.22	5.5		46		2.2



EA	Capacity		Head m	Speed r/min	Power(kw)		Motor Model	Eff %	Impeller Dia. mm	(NPSH)r m
	m ³ /h	L/s			Shaft kw	Motor kw				
EA32/20 D	8.8	2.45	42.2	2900	2.82	4	Y2-132S1-2	36	175	1.6
	14.7	4.09	38.0		3.39	5.5	5.5KW	45		1.95
	17.7	4.91	34.2		3.72	5.5		44.2		2.2
EA32/20 E	8.3	2.31	37.5	2900	2.40	2.2	Y2-112M-2	35.5	165	1.6
	13.9	3.86	33.8		2.97	4	4KW	43		1.95
	16.7	4.63	30.4		3.17	4		43.4		2.2
EA32/26	16.2	4.50	89.3	2900	11.76	15	Y2-160L-2	33.5	264	2.1
	27.0	7.50	82.0		14.52	18.5	18.5KW	41.5		2.6
	32.4	9.00	75.3		16.28	18.5		40.8		3.1
EA32/26 A	15.6	4.35	83.6	2900	10.79	15	Y2-160L-2	33	255	2.1
	26.1	7.24	76.0		13.39	15	18.5KW	40.3		2.6
	31.3	8.69	70.5		14.83	18.5		40.5		3.1
EA32/26 B	15.0	4.18	77.5	2900	10.23	15	Y2-160M2-2	31	245	2.1
	25.1	6.96	70.2		12.12	15	15KW	39.5		2.6
	30.1	8.35	65.0		13.23	15		40.2		3.1
EA32/26 C	14.4	4.01	72.0	2900	9.12	15	Y2-160M2-2	31	235	2.1
	24.0	6.68	65.0		10.90	15	15KW	39		2.6
	28.8	8.01	59.8		11.74	15		40		3.1
EA32/26 D	13.8	3.84	66.0	2900	8.13	11	Y2-160M2-2	30.5	225	2.1
	23.0	6.39	59.6		9.95	15	15KW	37.5		2.6
	27.6	7.67	54.8		10.84	15		38		3.1
EA32/26 E	13.2	3.66	60.8	2900	7.28	11	Y2-160M1-2	30	215	2.1
	22.0	6.11	55.0		9.09	11	11KW	36.2		2.6
	26.4	7.33	51.0		9.90	11		37		3.1
EA32/26 F	12.6	3.49	58.0	2900	6.97	11	Y2-160M1-2	28.5	205	2.1
	21.0	5.82	50.8		8.40	11	11KW	34.5		2.6
	25.2	6.99	46.2		9.04	11		35		3.1
EA40/13	18.0	5.00	25.3	2900	2.03	2.2	Y2-112M-2	61	139	1.8
	30.0	8.33	23.5		2.63	3	4KW	73		2
	36.0	10.00	21.8		2.91	4		73.5		3
EA40/13 A	16.8	4.67	22.0	2900	1.63	2.2	Y2-100L-2	62	130	1.8
	28.0	7.79	20.2		2.11	3	3KW	73.2		2
	33.7	9.35	18.5		2.32	3		73.2		3
EA40/13 B	15.5	4.31	18.5	2900	1.28	1.5	Y2-90L-2	61	120	1.8
	25.9	7.19	17.0		1.64	2.2	2.2KW	73		2
	31.1	8.63	15.3		1.77	2.2		73		3
EA40/13 C	14.2	3.96	15.5	2900	1.00	1.5	Y2-90L-2	60	110	1.8
	23.7	6.59	13.7		1.23	1.5	2.2KW	72		2
	28.5	7.91	12.2		1.31	2.2		72		3
EA40/13 D	12.9	3.60	12.5	2900	0.76	1.1	Y2-90L-2	58	100	1.8
	21.6	5.99	11.0		0.92	1.5	1.5KW	70		2
	25.9	7.19	9.5		0.97	1.5		69		3
EA40/16	18.0	5.00	39.5	2900	3.39	5.5	Y2-132S2-2	57	174	1.5
	30.0	8.33	35.0		4.46	5.5	7.5KW	64		2.2
	36.0	10.00	31.5		5.02	7.5		61.5		3.3
EA40/16 A	17.1	4.74	34.8	2900	2.89	4	Y2-132S1-2	56	165	1.5
	28.4	7.90	30.5		3.74	5.5	5.5KW	63.2		2.2
	34.1	9.48	27.6		4.20	5.5		61		3.3
EA40/16 B	16.0	4.45	30.5	2900	2.42	4	Y2-112M-2	55	155	1.5
	26.7	7.42	26.5		3.15	4	4KW	61.2		2.2
	32.1	8.90	23.4		3.46	4		59		3.3



EA	Capacity		Head	Speed	Power(kw)		Motor Model	Eff	Impeller Dia.	(NPSH)r
	m ³ /h	L/s			Shaft	Motor				
Model	m ³ /h	L/s	m	r/min	kw	kw		%	mm	m
EA40/16 C	15.0	4.17	26.7	2900	2.06	3	Y2-112M-2	53	145	1.5
	25.0	6.94	22.5		2.62	4	4KW	58.5		2.2
	30.0	8.33	19.5		2.84	4		56		3.3
EA40/16 D	14.0	3.88	23.1	2900	1.76	3	Y2-100L-2	50	135	1.5
	23.3	6.46	19.5		2.17	3	3KW	57		2.2
	27.9	7.76	16.5		2.28	3		55		3.3
EA40/16 E	12.9	3.59	19.5	2900	1.43	3	Y2-100L-2	48	125	1.5
	21.5	5.98	16.0		1.71	3	3KW	55		2.2
	25.9	7.18	13.5		1.86	3		51		3.3
EA40/20	18.0	5.00	61.5	2900	6.28	7.5	Y2-160M1-2	48	214	1.8
	30.0	8.33	56.5		7.95	11	11KW	58		2
	36.0	10.00	53.0		8.88	11		58.5		2.7
EA40/20 A	17.2	4.79	55.4	2900	5.42	7.5	Y2-160M1-2	48	205	1.8
	28.7	7.98	51.0		6.94	11	11KW	57.5		2
	34.5	9.58	47.3		7.65	11		58		2.7
EA40/20 B	16.4	4.55	49.5	2900	4.70	5.5	Y2-160M1-2	47	195	1.8
	27.3	7.59	47.5		6.25	7.5	11KW	56.5		2
	32.8	9.11	42.0		6.58	11		57		2.7
EA40/20 C	15.6	4.32	44.6	2900	4.10	7.5	Y2-132S2-2	46	185	1.8
	25.9	7.20	40.5		5.15	7.5	7.5KW	55.5		2
	31.1	8.64	36.5		5.62	7.5		55		2.7
EA40/20 D	14.7	4.09	39.9	2900	3.55	5.5	Y2-132S2-2	45	175	1.8
	24.5	6.81	36.0		4.45	7.5	7.5KW	54		2
	29.4	8.17	32.2		4.82	7.5		53.5		2.7
EA40/20 E	13.9	3.85	35.4	2900	3.01	5.5	Y2-132S1-2	44.5	165	1.8
	23.1	6.42	31.5		3.81	5.5	5.5KW	52		2
	27.7	7.71	28.2		4.14	5.5		51.5		2.7
EA40/26	21.6	6.00	93.0	2900	13.67	15	Y2-180M-2	40	264	1.8
	36.0	10.00	86.5		16.62	18.5	22KW	51		2
	43.2	12.00	81.5		18.08	22		53		2.5
EA40/26 A	20.9	5.80	86.0	2900	12.21	15	Y2-160L-2	40	255	1.8
	34.8	9.66	80.0		15.06	18.5	18.5KW	50.3		2
	41.7	11.59	74.5		16.18	18.5		52.3		2.5
EA40/26 B	20.0	5.57	78.3	2900	10.96	15	Y2-160L-2	39	245	1.8
	33.4	9.28	72.0		13.10	15	18.5KW	50		2.0
	40.1	11.14	66.0		14.12	18.5		51		2.5
EA40/26 C	19.2	5.34	71.0	2900	9.78	15	Y2-160M2-2	38	235	1.8
	32.0	8.90	66.2		11.91	15	15KW	48.5		2
	38.5	10.68	60.7		12.71	15		50		2.5
EA40/26 D	18.4	5.11	65.1	2900	8.58	11	Y2-160M2-2	38	225	1.8
	30.7	8.52	60.2		10.48	15	15KW	48		2
	36.8	10.23	55.7		11.50	15		48.5		2.5
EA40/26 E	17.6	4.89	59.4	2900	7.59	11	Y2-160M2-2	37.5	215	1.8
	29.3	8.14	54.3		9.22	11	15KW	47		2
	35.2	9.77	50.8		10.25	15		47.5		2.5
EA40/26 F	16.8	4.66	54.0	2900	6.57	11	Y2-160M1-2	37.5	205	1.8
	28.0	7.77	49.5		8.19	11	11KW	46		2
	33.5	9.32	45.5		8.94	11		46.5		2.5
EA40/32G EA40/32H	21.6	6.00	155.0	2900	27.21	30	Y2-225M-2	33.5	329	2.7
	36.0	10.00	148.0		34.13	37	45KW	42.5		3.2
	43.2	12.00	140.0		37.42	45		44		4.8



EA	Capacity		Head	Speed	Power(kw)		Motor Model	Eff	Impeller Dia.	(NPSH) _r
	m ³ /h	L/s			kw	kw				
Model	m ³ /h	L/s	m	r/min	kw	kw		%	mm	m
EA40/32GA	20.7	5.74	139.0	2900	24.45	30	Y2-200L2-2	32	315	2.7
	34.5	9.57	133.0		30.07	37	37KW	41.5		3.2
	41.4	11.49	126.0		32.84	37		43.2		4.8
EA40/32HA	19.7	5.47	124.5	2900	21.53	30	Y2-200L2-2	31	300	2.7
	32.8	9.12	118.0		26.04	30	37KW	40.5		3.2
	39.4	10.94	114.0		29.11	37		42		4.8
EA40/32GB	18.7	5.20	111.0	2900	18.85	22	Y2-200L1-2	30	285	2.7
	31.2	8.66	107.0		23.00	30	30KW	39.5		3.2
	37.4	10.40	100.0		25.47	30		40		4.8
EA40/32GC	17.7	4.92	99.0	2900	17.06	22	Y2-200L1-2	28	270	2.7
	29.5	8.21	95.0		19.59	30	30KW	39		3.2
	35.5	9.85	88.0		21.78	30		39		4.8
EA40/32GD	16.7	4.65	88.0	2900	14.58	18.5	Y2-180M-2	27.5	255	2.7
	27.9	7.75	81.5		16.96	22	22KW	36.5		3.2
	33.5	9.30	75.0		17.99	22		38		4.8
EA40/32GE	36.0	10.00	26.0	2900	3.89	5.5	Y2-132S2-2	65.5	139	1.95
	60.0	16.67	23.0		4.82	7.5	7.5KW	78		2.5
	72.0	20.00	20.5		5.36	7.5		75		3.3
EA50/13	33.7	9.35	22.0	2900	3.13	4	Y2-132S1-2	64.5	130	1.95
	56.1	15.59	18.6		3.79	5.5	5.5KW	75		2.5
	67.4	18.71	16.1		4.10	5.5		72		3.3
EA50/13 A	31.1	8.63	18.3	2900	2.46	4	Y2-132S1-2	63	120	1.95
	51.8	14.39	15.0		2.94	4	4KW	72		2.5
	62.2	17.27	12.3		3.06	4		68		3.3
EA50/13 B	28.5	7.92	15.0	2900	1.88	3	Y2-100L-2	62	110	1.95
	47.5	13.19	11.6		2.17	3	3KW	69		2.5
	57.0	15.83	9.6		2.31	3		64.5		3.3
EA50/13 C	39.0	10.83	42.3	2900	6.96	11	Y2-160M1-2	64.5	174	1.8
	65.0	18.05	38.0		8.96	11	11KW	75		2.8
	78.0	21.66	33.8		10.11	11		71		3.2
EA50/16	37.0	10.27	37.5	2900	5.99	7.5	Y2-160M1-2	63	165	1.8
	61.6	17.12	33.2		7.68	11	11KW	72.5		2.8
	73.9	20.54	29.5		8.73	11		68		3.2
EA50/16 A	34.7	9.65	33.3	2900	5.25	7.5	Y2-160M1-2	60	155	1.8
	57.9	16.08	29.2		6.67	11	11KW	69		2.8
	69.5	19.29	25.8		7.28	11		67		3.2
EA50/16 B	32.5	9.03	28.7	2900	4.30	5.5	Y2-132S2-2	59	145	1.8
	54.2	15.04	25.0		5.46	7.5	7.5KW	67.5		2.8
	65.0	18.05	22.1		6.01	7.5		65		3.2
EA50/16 C	30.2	8.40	24.5	2900	3.48	5.5	Y2-132S2-2	58	135	1.8
	50.4	14.00	20.8		4.46	5.5	7.5KW	64		2.8
	60.5	16.81	18.3		4.86	7.5		62		3.2
EA50/16 D	28.0	7.78	20.5	2900	2.95	4	Y2-132S1-2	53	125	1.8
	46.7	12.97	16.8		3.44	5.5	5.5KW	62		2.8
	56.0	15.56	14.2		3.64	5.5		59.5		3.2
EA50/16 E	36.0	10.00	62.0	2900	10.48	15	Y2-160L-2	58	214	2.2
	60.0	16.67	56.0		13.07	15	18.5KW	70		3.2
	72.0	20.00	51.0		14.70	18.5		68		4



EA	Capacity		Head	Speed	Power(kw)		Motor Model	Eff	Impeller Dia.	(NPSH)r
	m ³ /h	L/s			kw	kw				
Model			m	r/min				%	mm	m
EA50/20 A	34.5	9.58	56.3	2900	8.81	11	Y2-160M2-2	60	205	2.2
	57.5	15.97	50.3		11.53	15	15KW	68.3		3.2
	69.0	19.16	44.7		12.82	15		65.5		4
EA50/20 B	32.8	9.11	51.3	2900	7.77	11	Y2-160M2-2	59	195	2.2
	54.7	15.19	44.7		10.01	15	15KW	66.5		3.2
	65.6	18.23	40.0		11.16	15		64		4
EA50/20 C	31.1	8.65	46.2	2900	6.75	11	Y2-160M1-2	58	185	2.2
	51.9	14.41	40.2		8.67	11	11KW	65.5		3.2
	62.3	17.29	35.4		9.68	11		62		4
EA50/20 D	29.4	8.18	41.3	2900	5.86	7.5	Y2-160M1-2	56.5	175	2.2
	49.1	13.63	36.2		7.56	7.5	11KW	64		3.2
	58.9	16.36	31.4		8.60	11		58.5		4
EA50/20 E	27.8	7.71	36.7	2900	5.14	7.5	Y2-132S2-2	54	165	2.2
	46.3	12.85	32.2		6.76	7.5	7.5KW	60		3.2
	55.5	15.42	27.5		7.42	7.5		56		4
EA50/26H	39.0	10.83	97.5	2900	20.29	30	Y2-200L2-2	51	264	1.7
	65.0	18.05	91.5		26.32	30	37KW	61.5		2.5
	78.0	21.66	87.0		29.31	37		63		3.2
EA50/26H A	37.7	10.46	90.5	2900	18.19	22	Y2-200L1-2	51	255	1.7
	62.8	17.43	84.0		23.53	30	30KW	61		2.5
	75.3	20.92	79.5		26.29	30		62		3.2
EA50/26H B	36.2	10.05	84.0	2900	16.55	18.5	Y2-200L1-2	50	245	1.7
	60.3	16.75	78.0		21.34	30	30KW	60		2.5
	72.4	20.10	73.0		23.57	30		61		3.2
EA50/26 C	34.7	9.64	77.5	2900	14.79	18.5	Y2-200L1-2	49.5	235	1.7
	57.8	16.07	71.0		18.95	22	30KW	59		2.5
	69.4	19.28	66.0		20.78	30		60		3.2
EA50/26 D	33.2	9.23	71.0	2900	13.10	15	Y2-180M-2	49	225	1.7
	55.4	15.38	65.0		17.05	22	22KW	57.5		2.5
	66.5	18.46	60.5		18.54	22		59		3.2
EA50/26 E	31.8	8.82	65.0	2900	11.70	15	Y2-160L-2	48	215	1.7
	52.9	14.70	59.4		15.14	18.5	18.5KW	56.5		2.5
	63.5	17.64	55.2		16.60	18.5		57.5		3.2
EA50/26 F	30.3	8.41	59.0	2900	10.35	15	Y2-160L-2	47	205	1.7
	50.5	14.02	53.5		13.36	18.5	18.5KW	55		2.5
	60.5	16.82	49.8		14.66	18.5		56		3.2
EA50/32G	54.0	15.00	151.5	2900	41.63	45	Y2-280S-2	53.5	329	2.8
	90.0	25.00	136.0		54.62	55	75KW	61		4.5
EA50/32H	108.0	30.00	124.0		62.86	75		58		7
EA50/32G	51.7	14.36	139.0	2900	37.26	45	Y2-280S-2	52.5	315	2.8
	86.2	23.94	125.0		48.71	55	75KW	60.2		4.5
	103.4	28.72	113.5		54.61	75		58.5		7
EA50/32G	49.2	13.68	126.0	2900	32.79	37	Y2-250M-2	51.5	300	2.8
	82.1	22.80	113.0		42.79	45	55KW	59		4.5
	98.5	27.36	102.5		47.79	55		57.5		7
EA50/32G	46.8	12.99	114.0	2900	28.75	30	Y2-225M-2	50.5	285	2.8
	78.0	21.66	101.0		36.96	37	45KW	58		4.5
	93.6	25.99	92.0		41.47	45		56.5		7
EA50/32G	44.3	12.31	101.5	2900	24.99	30	Y2-225M-2	49	270	2.8
	73.9	20.52	90.5		32.21	37	45KW	56.5		4.5
	88.6	24.62	82.0		35.33	45		56		7
EA50/32G	41.9	11.63	90.5	2900	21.26	22	Y2-200L2-2	48.5	255	2.8
	69.8	19.38	80.0		27.62	30	37KW	55		4.5
	83.7	23.25	72.5		30.31	37		54.5		7



EA	Capacity		Head	Speed	Power(kw)		Motor Model	Eff	Impeller Dia.	(NPSH)r
	m ³ /h	L/s			kw	kw				
Model			m	r/min	kw	kw		%	mm	m
EA65/13	60.0	16.67	24.5	2900	5.89	7.5	Y2-160M1-2	68	139	3
	100.0	27.78	20.5		7.06	11	11KW	79		3.75
	120.0	33.34	17.2		7.39	11		76		4.2
EA65/13 A	56.1	15.59	20.6	2900	4.63	7.5	Y2-132S2-2	68	130	3
	93.5	25.98	16.2		5.38	7.5	7.5KW	76.6		3.75
	112.2	31.18	13.0		5.59	7.5		71		4.2
EA65/13 B	51.8	14.39	17.2	2900	3.68	5.5	Y2-132S1-2	66	120	3
	86.3	23.98	13.2		4.25	5.5	5.5KW	73		3.75
	103.6	28.78	10.2		4.29	5.5		67		4.2
EA65/16	60.0	16.67	39.7	2900	9.83	15	Y2-160M2-2	66	174	2.7
	100.0	27.78	34.0		12.34	15	15KW	75		3.5
	120.0	33.34	29.6		13.16	15		73.5		4.1
EA65/16 A	56.9	15.81	36.0	2900	8.32	11	Y2-160M2-2	67	165	2.7
	94.8	26.34	30.0		10.47	15	15KW	74		3.5
	113.8	31.61	25.8		11.02	15		72.5		4.1
EA65/16 B	53.5	14.85	32.0	2900	7.16	11	Y2-160M1-2	65	155	2.7
	89.1	24.75	26.2		8.75	11	11KW	72.6		3.5
	106.9	29.70	21.8		9.06	11		70		4.1
EA65/16 C	50.0	13.89	28.0	2900	6.05	7.5	Y2-160M1-2	63	145	2.7
	83.3	23.15	22.2		7.09	11	11KW	71		3.5
	100.0	27.78	18.2		7.23	11		68.5		4.1
EA65/16 D	46.6	12.93	24.2	2900	5.03	7.5	Y2-132S2-2	61	135	2.7
	77.6	21.55	19.2		5.89	7.5	7.5KW	69		3.5
	93.1	25.86	15.5		6.04	7.5		65		4.1
EA65/16 E	43.1	11.97	20.7	2900	4.06	5.5	Y2-132S1-2	60	125	2.7
	71.8	19.96	16.0		4.67	5.5	5.5KW	67		3.5
	86.2	23.95	12.8		4.77	5.5		63		4.1
EA65/20	66.0	18.33	64.2	2900	19.55	22	Y2-200L1-2	59	214	2.4
	110.0	30.55	56.5		23.08	30	30KW	73.3		3.7
	132.0	36.66	52.0		25.52	30		73.2		5.2
EA65/20 A	63.2	17.56	58.2	2900	16.15	18.5	Y2-200L1-2	62	205	2.4
	105.4	29.27	50.5		19.84	30	30KW	73		3.7
	126.4	35.12	45.6		21.65	30		72.5		5.2
EA65/20 B	60.1	16.70	52.9	2900	14.43	18.5	Y2-180M-2	60	195	2.4
	100.2	27.84	46.0		17.31	22	22KW	72.5		3.7
	120.3	33.41	41.4		18.82	22		72		5.2
EA65/20 C	57.0	15.85	47.6	2900	12.32	15	Y2-180M-2	60	185	2.4
	95.1	26.41	41.4		14.88	22	22KW	72		3.7
	114.1	31.69	37.3		16.19	22		71.5		5.2
EA65/20 D	54.0	14.99	42.0	2900	10.46	15	Y2-160L-2	59	175	2.4
	89.9	24.98	36.6		12.62	18.5	18.5KW	71		3.7
	107.9	29.98	32.7		13.63	18.5		70.5		5.2
EA65/20 E	50.9	14.13	36.8	2900	8.94	11	Y2-160M2-2	57	165	2.4
	84.8	23.55	32.0		10.55	15	15KW	70		3.7
	101.8	28.27	28.0		11.41	15		68		5.2
EA65/26	72.0	20.00	98.0	2900	30.49	37	Y2-250M-2	63	264	2.4
	120.0	33.33	89.9		39.95	45	55KW	73.5		4.2
	144.0	40.00	82.3		45.12	55		71.5		5.8
EA65/26 A	69.5	19.32	91.0	2900	27.78	37	Y2-225M-2	62	255	2.4
	115.9	32.19	83.0		35.87	45	45KW	73		4.2
	139.1	38.63	76.0		40.53	45		71		5.8
EA65/26 B	66.8	18.56	84.5	2900	25.19	30	Y2-225M-2	61	245	2.4
	111.4	30.93	77.0		32.19	37	45KW	72.5		4.2
	133.6	37.12	70.0		35.86	45		71		5.8



EA	Capacity		Head m	Speed r/min	Power(kw)		Motor Model	Eff %	Impeller Dia. mm	(NPSH)r m
	m ³ /h	L/s			Shaft kw	Motor kw				
Model										
EA65/26 C	64.1	17.80	78.5	2900	23.21	30	Y2-200L2-2	59	235	2.4
	106.8	29.67	71.0		28.87	37	37KW	71.5		4.2
	128.2	35.60	64.0		31.67	37		70.5		5.8
EA65/26 D	61.4	17.04	72.5	2900	20.88	30	Y2-200L2-2	58	225	2.4
	102.3	28.41	65.0		25.63	30	37KW	70.6		4.2
	122.7	34.09	59.0		28.16	37		70		5.8
EA65/26 E	58.6	16.29	66.2	2900	18.38	22	Y2-200L1-2	57.5	215	2.4
	97.7	27.14	59.4		23.05	30	30KW	68.5		4.2
	117.3	32.57	50.8		24.95	30		65		5.8
EA65/26 F	55.9	15.53	59.0	2900	16.32	22	Y2-200L1-2	55	205	2.4
	93.2	25.88	52.6		20.37	30	30KW	65.5		4.2
	111.8	31.06	48.0		22.48	30		65		5.8
EA65/32G EA65/32H	78.0	21.66	143.5	2900	56.41	75	Y2-280M-2	54	329	3.1
	130.0	36.10	133.5		74.14	90	90KW	63.7		4.8
	156.0	43.32	124.0		82.25	90		64		6.8
EA65/32G EA65/32H A	74.7	20.74	131.0	2900	49.76	55	Y2-280M-2	53.5	315	3.1
	124.4	34.56	119.0		63.68	75	90KW	63.3		4.8
	149.3	41.48	110.0		70.63	90		63.3		6.8
EA65/32G EA65/32H B	71.1	19.75	117.0	2900	43.97	55	Y2-280S-2	51.5	300	3.1
	118.5	32.92	105.0		54.20	75	75KW	62.5		4.8
	142.2	39.50	95.3		59.50	75		62		6.8
EA65/32G EA65/32H C	67.5	18.76	104.0	2900	37.50	45	Y2-280S-2	51	285	3.1
	112.6	31.27	92.0		46.22	55	75KW	61		4.8
	135.1	37.53	82.6		50.63	75		60		6.8
EA65/32G EA65/32H D	64.0	17.78	94.2	2900	32.82	45	Y2-250M-2	50	270	3.1
	106.7	29.63	82.0		39.68	55	55KW	60		4.8
	128.0	35.55	71.7		43.44	55		57.5		6.8
EA65/32G EA65/32H E	60.4	16.79	83.0	2900	27.87	37	Y2-225M-2	49	255	3.1
	100.7	27.98	72.3		35.72	37	45KW	55.5		4.8
	120.9	33.58	62.2		37.55	45		54.5		6.8
EA80/16	97.2	27.00	40.3	2900	15.23	18.5	Y2-200L1-2	70	174	2.7
	162.0	45.00	34.7		19.13	22	30KW	80		3.8
	194.4	54.00	29.3		20.95	30		74		5
EA80/16 A	92.2	25.60	34.8	2900	12.94	18.5	Y2-180M-2	67.5	165	2.7
	153.6	42.67	29.1		16.01	18.5	22KW	76		3.8
	184.3	51.21	24.2		17.60	22		69		5
EA80/16 B	86.6	24.05	30.7	2900	11.49	15	Y2-160L-2	63	155	2.7
	144.3	40.09	24.7		13.11	15	18.5KW	74		3.8
	173.2	48.10	20.1		14.36	18.5		66		5
EA80/16 C	81.0	22.50	26.9	2900	9.55	11	Y2-160M2-2	62	145	2.7
	135.0	37.50	21.6		11.03	15	15KW	72		3.8
	162.0	45.00	17.4		11.99	15		64		5
EA80/16 D	75.4	20.95	22.8	2900	8.07	11	Y2-160M1-2	58	135	2.7
	125.7	34.91	18.2		9.44	11	11KW	66		3.8
	150.8	41.90	14.4		9.85	11		60		5
EA80/20	114.0	31.67	60.5	2900	28.02	37	Y2-225M-2	67	214	3.1
	190.0	52.78	52.7		35.04	45	45KW	77.8		4.8
	228.0	63.34	46.0		38.85	45		73.5		5.8
EA80/20 A	109.2	30.34	55.1	2900	25.20	30	Y2-200L2-2	65	205	4
	182.0	50.56	47.9		30.78	37	37KW	77.1		4.9
	218.4	60.67	41.5		34.04	37		72.5		5.85
EA80/20 B	103.9	28.86	49.6	2900	22.62	30	Y2-200L2-2	62	195	4
	173.1	48.09	43.6		27.04	30	37KW	76		4.7
	207.8	57.71	37.6		29.54	37		72		5.5
EA80/20 C	98.6	27.38	43.8	2900	18.95	30	Y2-200L1-2	62	185	4
	164.3	45.63	37.2		22.48	30	30KW	74		4.7
	197.1	54.75	31.8		24.73	30		69		5.5



EA	Capacity		Head	Speed	Power(kw)		Motor Model	Eff	Impeller Dia.	(NPSH)r
	m ³ /h	L/s			kw	kw				
Model	m ³ /h	L/s	m	r/min	kw	kw		%	mm	m
EA80/20 D	93.2	25.90	39.2	2900	15.07	18.5	Y2-200L1-2	66	175	4
	155.4	43.16	33.3		18.53	22	30KW	76		4.7
	186.5	51.79	28.5		19.26	30		75		5.5
EA80/20 E	87.9	24.42	34.8	2900	12.73	15	Y2-180M-2	65.5	165	4
	146.5	40.69	29.6		15.63	18.5	22KW	75.5		4.7
	175.8	48.83	25.3		16.25	22		74.5		5.5
EA80/26	114.0	31.67	95.0	2900	45.01	55	Y2-280S-2	65.5	264	2.6
	190.0	52.78	83.5		57.59	75	75KW	75		4.2
	228.0	63.34	74.0		63.79	75		72		5.8
EA80/26 A	110.1	30.59	87.5	2900	40.35	55	Y2-280S-2	65	255	3.95
	183.5	50.98	76.5		51.30	75	75KW	74.5		5.2
	220.2	61.18	69.0		56.51	75		73.2		6.25
EA80/26 B	105.8	29.39	80.1	2900	36.05	45	Y2-250M-2	64	245	3.9
	176.3	48.98	70.0		45.41	55	55KW	74		5
	211.6	58.78	62.0		50.09	55		71.3		6
EA80/26 C	101.5	28.19	73.3	2900	32.14	45	Y2-250M-2	63	235	3.9
	169.1	46.98	63.0		39.68	55	55KW	73.1		5
	203.0	56.38	55.1		42.88	55		71		6
EA80/26 D	97.2	26.99	66.5	2900	28.37	37	Y2-225M-2	62	225	3.9
	161.9	44.98	57.0		34.75	45	45KW	72.3		5
	194.3	53.98	49.6		37.22	45		70.5		6
EA80/26 E	92.8	25.79	60.1	2900	24.90	30	Y2-200L2-2	61	215	3.9
	154.7	42.98	50.3		30.05	37	37KW	70.5		5
	185.7	51.58	44.5		32.13	37		70		6
EA80/26 F	88.5	24.59	54.0	2900	21.87	30	Y2-220L2-2	59.5	205	3.9
	147.5	40.98	45.1		25.88	37	37KW	70		5
	177.1	49.18	39.8		27.60	37		69.5		6
EA80/32G EA80/32H	125.9	34.98	146.0	2900	80.08	90	Y2-315M1-2	62.5	329	3
	209.9	58.30	133.5		103.77	132	132KW	73.5		6.8
	251.9	69.96	122.0		117.81	132		71		9
EA80/32G A	120.6	33.49	134.0	2900	71.51	90	Y2-315S-2	61.5	315	3
	200.9	55.82	122.5		91.54	110	110KW	73.2		6.8
	241.1	66.98	112.5		103.72	110		71.2		9
EA80/32G B	114.8	31.90	119.0	2900	61.48	75	Y2-315S-2	60.5	300	3
	191.4	53.16	109.0		77.79	90	110KW	73		6.8
	229.7	63.79	99.3		87.19	110		71.2		9
EA80/32G C	109.1	30.30	106.0	2900	52.46	75	Y2-280M-2	60	285	3
	181.8	50.50	96.5		65.34	75	90KW	73.1		6.8
	218.2	60.60	88.0		73.61	90		71		9
EA80/32G D	103.3	28.71	95.5	2900	45.08	55	Y2-280S-2	59.6	270	3
	172.2	47.84	87.0		55.88	75	75KW	73		6.8
	206.7	57.41	79.2		63.21	75		70.5		9
EA80/32G E	97.6	27.11	85.5	2900	38.50	45	Y2-280S-2	59	255	3
	162.7	45.19	78.0		48.31	55	75KW	71.5		6.8
	195.2	54.22	70.0		53.14	75		70		9
EA100/16	151.2	42.00	34.5	2900	21.04	30	Y2-200L1-2	67.5	176	4
	252.0	70.00	26.7		23.94	30	30KW	76.5		4.6
	302.4	84.00	20.8		24.12	30		71		6.1
EA100/16 A	141.8	39.38	30.0	2900	17.41	22	Y2-180M-2	66.5	165	4.9
	236.3	65.63	23.0		19.72	22	22KW	75		4.9
	283.5	78.75	17.7		20.09	22		68		5.4
EA100/16 B	133.2	36.99	25.8	2900	14.39	18.5	Y2-160L-2	65	155	4.8
	221.9	61.65	19.2		16.11	18.5	18.5KW	72		4.8
	266.3	73.98	14.6		16.16	18.5		65.5		5.3
EA100/16 C	124.6	34.60	22.8	2900	12.08	15	Y2-160M2-2	64	145	4.7
	207.6	57.67	16.2		13.08	15	15KW	70		4.7
	249.1	69.20	12.0		13.13	15		62		5.2
EA100/20	171.0	47.50	58.7	2900	39.04	45	Y2-280S-2	70	214	3.9
	285.0	79.17	50.1		48.59	55	75KW	80		5.8
	342.0	95.00	42.0		52.49	75		74.5		6.9



EA	Capacity		Head	Speed	Power(kw)		Motor Model	Eff	Impeller Dia.	(NPSH)r
	m ³ /h	L/s			kw	kw				
Model	m ³ /h	L/s	m	r/min	kw	kw		%	mm	m
EA100/20 A	163.8	45.50	53.2	2900	34.38	45	Y2-250M-2	69	205	3.9
	273.0	75.84	44.3		41.68	55	55KW	79		5.8
	327.6	91.01	37.0		44.90	55		73.5		6.9
EA100/20 B	155.8	43.28	47.0	2900	29.32	37	Y2-225M-2	68	195	3.9
	259.7	72.14	38.7		35.53	45	45KW	77		5.8
	311.6	86.57	31.5		37.91	45		70.5		6.9
EA100/20 C	147.8	41.06	42.0	2900	25.61	30	Y2-200L2-2	66	185	3.9
	246.4	68.44	33.0		30.11	37	37KW	73.5		5.8
	295.7	82.13	26.3		31.36	37		67.5		6.9
EA100/20 D	139.8	38.85	37.2	2900	22.48	30	Y2-200L1-2	63	175	3.9
	233.1	64.74	28.7		26.01	30	30KW	70		5.8
	279.7	77.69	21.8		25.93	30		64		6.9
EA100/20 E	131.9	36.63	32.0	2900	19.30	30	Y2-200L1-2	59.5	165	3.9
	219.8	61.04	24.0		21.27	30	30KW	67.5		5.8
	263.7	73.25	18.0		21.54	30		60		6.9
EA100/26H	177.0	49.16	95.0	2900	70.42	90	Y2-315S-2	65	264	3.9
	295.0	81.94	85.0		87.51	110	110KW	78		5.8
	354.0	98.33	75.0		95.72	110		75.5		7
EA100/26H A	171.0	47.49	88.0	2900	63.01	75	Y2-315S-2	65	255	3.9
	284.9	79.15	78.2		78.57	90	110KW	77.2		5.8
	341.9	94.98	69.0		85.63	110		75		7
EA100/26H B	164.3	45.63	81.5	2900	56.94	75	Y2-280M-2	64	245	3.9
	273.8	76.04	71.5		70.48	90	90KW	75.6		5.8
	328.5	91.25	63.0		76.13	90		74		7
EA100/26H C	157.5	43.76	75.0	2900	51.04	75	Y2-280S-2	63	235	3.9
	262.6	72.94	65.2		62.56	75	75KW	74.5		5.8
	315.1	87.53	56.8		67.20	75		72.5		7
EA100/26H D	150.8	41.90	68.7	2900	45.52	55	Y2-280S-2	62	225	3.9
	251.4	69.84	58.5		55.22	75	75KW	72.5		5.8
	301.7	83.80	50.5		59.25	75		70		7
EA100/26H E	144.1	40.04	62.3	2900	39.75	55	Y2-280S-2	61.5	215	3.9
	240.2	66.73	52.4		48.61	75	75KW	70.5		5.8
	288.3	80.08	44.5		51.36	75		68		7
EA100/26H F	137.4	38.18	56.0	2900	36.12	45	Y2-250M-2	58	205	3.9
	229.1	63.63	46.4		41.93	55	55KW	69		5.8
	274.9	76.35	38.0		45.13	55		63		7
EA125/20	216.0	60.00	56.5	2900	55.84	75	Y2-280M-2	59.5	214	4.7
	360.0	100.00	49.0		64.89	90	90KW	74		6.5
	432.0	120.00	42.5		68.94	90		72.5		7.2
EA125/20 A	206.9	57.48	51.7	2900	50.21	55	Y2-280S-2	58	205	4.7
	344.9	95.79	43.6		56.46	75	75KW	72.5		6.5
	413.8	114.95	37.0		58.46	75		71.3		7.2
EA125/20 B	196.8	54.67	46.3	2900	43.52	55	Y2-250M-2	57	195	4.7
	328.0	91.12	37.8		47.21	55	55KW	71.5		6.5
	393.6	109.35	31.5		48.92	55		69		7.2
EA125/20 C	186.7	51.87	40.6	2900	38.22	45	Y2-225M-2	54	185	4.7
	311.2	86.45	32.3		39.09	45	45KW	70		6.5
	373.5	103.74	26.2		40.36	45		66		7.2
EA32/13	4.3	1.21	6.7	1450	0.17	0.55	Y2-801-4	47	139	1.7
	7.2	2.01	6.2		0.21	0.55	0.55KW	58		2
	8.7	2.41	5.8		0.23	0.55		59		2.1
EA32/13 A	4.1	1.13	5.7	1450	0.14	0.55	Y2-801-4	46	130	1.7
	6.8	1.88	5.2		0.17	0.55	0.55KW	56.5		2
	8.1	2.26	4.8		0.18	0.55		58		2.1
EA32/13 B	3.7	1.04	4.7	1450	0.11	0.55	Y2-801-4	45	120	1.7
	6.2	1.74	4.2		0.13	0.55	0.55KW	55		2
	7.5	2.08	3.9		0.14	0.55		56		2.1
EA32/13 C	3.4	0.95	3.9	1450	0.08	0.55	Y2-801-4	45	110	1.7
	5.7	1.59	3.5		0.10	0.55	0.55KW	54		2
	6.9	1.91	3.1		0.11	0.55		54		2.1
EA32/13 D	3.1	0.87	3.1	1450	0.06	0.55	Y2-801-4	44	100	1.7
	5.2	1.45	2.7		0.08	0.55	0.55KW	51		2
	6.2	1.74	2.3		0.08	0.55		52		2.1



EA	Capacity		Head	Speed	Power(kw)		Motor Model	Eff	Impeller Dia.	(NPSH)r
	m ³ /h	L/s			kw	kw				
Model	m ³ /h	L/s	m	r/min	kw	kw		%	mm	m
EA32/16	5.2	1.45	10.6	1450	0.32	0.55	Y2-802-4	47.5	174	1.8
	8.7	2.41	10.1		0.43	0.55	0.75KW	55		2
	10.4	2.89	9.5		0.48	0.75		56		2.2
EA32/16 A	4.9	1.37	9.5	1450	0.28	0.55	Y2-801-4	45	165	1.8
	8.2	2.29	9.0		0.37	0.55	0.55KW	55		2
	9.9	2.74	8.5		0.41	0.55		55.5		2.2
EA32/16 B	4.6	1.29	8.4	1450	0.24	0.55	Y2-801-4	44	155	1.8
	7.7	2.15	7.8		0.31	0.55	0.55KW	53.5		2
	9.3	2.58	7.3		0.34	0.55		54		2.2
EA32/16 C	4.3	1.21	7.4	1450	0.21	0.55	Y2-801-4	42	145	1.8
	7.2	2.01	6.8		0.26	0.55	0.55KW	51.5		2
	8.7	2.41	6.4		0.29	0.55		52		2.2
EA32/16 D	4.0	1.12	6.4	1450	0.17	0.55	Y2-801-4	41.5	135	1.8
	6.7	1.87	5.9		0.22	0.55	0.55KW	49.5		2
	8.1	2.24	5.5		0.24	0.55		50		2.2
EA32/16 E	3.7	1.04	5.5	1450	0.14	0.55	Y2-801-4	40	125	1.8
	6.2	1.73	5.1		0.18	0.55	0.55KW	47		2
	7.5	2.08	4.7		0.20	0.55		49		2.2
EA32/20	5.2	1.45	16.0	1450	0.61	0.75	Y2-90S-4	37	214	1.9
	8.7	2.41	14.7		0.75	1.1	1.1KW	46.5		2
	10.4	2.89	13.6		0.81	1.1		47.5		2.3
EA32/20 A	5.0	1.39	14.6	1450	0.55	0.75	Y2-90S-4	36	205	1.9
	8.3	2.31	13.2		0.65	1.1	1.1KW	46		2
	10.0	2.77	12.1		0.71	1.1		46.5		2.3
EA32/20 B	4.7	1.32	13.2	1450	0.49	0.75	Y2-802-4	34.5	195	1.9
	7.9	2.20	11.9		0.57	0.75	0.75KW	45		2
	9.5	2.64	10.9		0.63	0.75		45		2.3
EA32/20 C	4.5	1.25	11.9	1450	0.43	0.75	Y2-802-4	34	185	1.9
	7.5	2.08	10.8		0.55	0.75	0.75KW	40		2
	9.0	2.50	9.9		0.54	0.75		44.5		2.3
EA32/20 D	4.3	1.18	10.6	1450	0.37	0.55	Y2-801-4	33.5	175	1.9
	7.1	1.97	9.6		0.44	0.55	0.55KW	42		2
	8.5	2.36	8.8		0.49	0.55		42		2.3
EA32/20 E	4.0	1.11	9.5	1450	0.31	0.55	Y2-801-4	33	165	1.9
	6.7	1.86	8.6		0.39	0.55	0.55KW	40		2
	8.0	2.23	7.8		0.43	0.55		41		2.3
EA32/26	6.6	1.83	23.7	1450	1.42	2.2	Y2-100L2-4	30	264	1.8
	11.0	3.05	22.4		1.76	2.2	3KW	38		2.1
	13.2	3.66	21.4		1.92	3		40		2.4
EA32/26 A	6.4	1.77	21.8	1450	1.26	2.2	Y2-100L1-4	30	255	1.8
	10.6	2.95	20.9		1.63	2.2	2.2KW	37		2.1
	12.7	3.54	19.9		1.75	2.2		39.5		2.4
EA32/26 B	6.1	1.70	20.2	1450	1.16	2.2	Y2-100L1-4	29	245	1.8
	10.2	2.83	19.3		1.45	2.2	2.2KW	37		2.1
	12.2	3.40	18.5		1.58	2.2		39		2.4
EA32/26 C	5.9	1.63	18.6	1450	1.04	2.2	Y2-100L1-4	28.5	235	1.8
	9.8	2.71	17.8		1.32	2.2	2.2KW	36		2.1
	11.7	3.26	17.0		1.43	2.2		38		2.4
EA32/26 D	5.6	1.56	17.1	1450	0.93	1.5	Y2-100L1-4	28	225	1.8
	9.4	2.60	16.3		1.19	1.5	2.2KW	35		2.1
	11.2	3.12	15.7		1.30	1.5		37		2.4
EA32/26 E	5.4	1.49	15.9	1450	0.84	1.5	Y2-90L-4	27.5	215	1.8
	8.9	2.48	15.1		1.08	1.5	1.5KW	34		2.1
	10.7	2.98	14.5		1.18	1.5		36		2.4
EA32/26 F	5.1	1.42	14.8	1450	0.78	1.5	Y2-90L-4	26.5	205	1.8
	8.5	2.37	14.0		0.98	1.5	1.5KW	33		2.1
	10.2	2.84	13.3		1.06	1.5		35		2.4
EA40/13	8.7	2.42	6.4	1450	0.26	0.55	Y2-801-4	59	139	1.8
	14.5	4.03	6.0		0.33	0.55	0.55KW	71		2
	17.4	4.84	5.6		0.37	0.55		72		2.4
EA40/13 A	8.1	2.26	5.6	1450	0.21	0.55	Y2-801-4	58	130	1.8
	13.6	3.77	5.2		0.27	0.55	0.55KW	71		2
	16.3	4.52	4.8		0.30	0.55		71		2.4



EA	Capacity		Head	Speed	Power(kw)		Motor Model	Eff	Impeller Dia.	(NPSH)r
	m ³ /h	L/s			Shaft	Motor				
Model	m ³ /h	L/s	m	r/min	kw	kw		%	mm	m
EA40/13 B	7.5	2.09	4.8	1450	0.17	0.55	Y2-801-4	56	120	1.8
	12.5	3.48	4.3		0.21	0.55	0.55KW	69		2
	15.0	4.17	3.9		0.23	0.55		68.5		2.4
EA40/13 C	6.9	1.91	4.0	1450	0.15	0.55	Y2-801-4	51	110	1.8
	11.5	3.19	3.6		0.18	0.55	0.55KW	64		2
	13.8	3.83	3.3		0.19	0.55		63.5		2.4
EA40/13 D	6.3	1.74	3.3	1450	0.11	0.55	Y2-801-4	50.5	100	1.8
	10.4	2.90	3.0		0.15	0.55	0.55KW	58		2
	12.5	3.48	2.6		0.15	0.55		58		2.4
EA40/16	8.7	2.42	10.0	1450	0.40	0.55	Y2-90S-4	59	174	1.8
	14.5	4.03	9.0		0.56	0.75	1.1KW	63		2
	17.4	4.84	8.1		0.62	1.1		61.5		2.4
EA40/16 A	8.3	2.29	8.9	1450	0.35	0.55	Y2-802-4	57	165	1.8
	13.8	3.82	8.0		0.48	0.75	0.75KW	62		2
	16.5	4.59	7.2		0.54	0.75		60		2.4
EA40/16 B	7.8	2.15	7.8	1450	0.29	0.55	Y2-802-4	56	155	1.8
	12.9	3.59	7.0		0.41	0.55	0.75KW	60		2
	15.5	4.31	6.3		0.46	0.75		58		2.4
EA40/16 C	7.3	2.02	7.0	1450	0.28	0.55	Y2-801-4	50	145	1.8
	12.1	3.36	6.0		0.35	0.55	0.55KW	57		2
	14.5	4.03	5.4		0.39	0.55		55		2.4
EA40/16 D	6.8	1.88	6.0	1450	0.23	0.55	Y2-801-4	48.5	135	1.8
	11.3	3.13	5.2		0.30	0.55	0.55KW	53		2
	13.5	3.75	4.4		0.32	0.55		50		2.4
EA40/16 E	6.3	1.74	5.1	1450	0.20	0.55	Y2-801-4	43	125	1.8
	10.4	2.90	4.3		0.25	0.55	0.55KW	49		2
	12.5	3.47	3.6		0.27	0.55		45		2.4
EA40/20	8.7	2.42	15.5	1450	0.77	1.1	Y2-90L-4	48	214	1.8
	14.5	4.03	14.3		0.99	1.5	1.5KW	57		2.2
	17.4	4.84	13.2		1.09	1.5		57.5		2.5
EA40/20 A	8.3	2.32	14.0	1450	0.66	1.1	Y2-90L-4	48	205	1.8
	13.9	3.86	13.0		0.88	1.1	1.5KW	56		2.2
	16.7	4.63	12.0		0.96	1.5		57		2.5
EA40/20 B	7.9	2.20	12.7	1450	0.60	1.1	Y2-90S-4	46	195	1.8
	13.2	3.67	11.6		0.76	1.1	1.1KW	55		2.2
	15.9	4.41	10.8		0.84	1.1		55.5		2.5
EA40/20 C	7.5	2.09	11.2	1450	0.50	0.75	Y2-90S-4	45.5	185	1.8
	12.5	3.48	10.4		0.66	1.1	1.1KW	54		2.2
	15.1	4.18	9.6		0.72	1.1		54.5		2.5
EA40/20 D	7.1	1.98	10.0	1450	0.44	0.75	Y2-802-4	44	175	1.8
	11.9	3.30	9.2		0.56	0.75	0.75KW	53		2.2
	14.2	3.95	8.4		0.61	0.75		53.5		2.5
EA40/20 E	6.7	1.86	9.0	1450	0.38	0.55	Y2-802-4	43.5	165	1.8
	11.2	3.11	8.0		0.48	0.75	0.75KW	50.5		2.2
	13.4	3.73	7.3		0.52	0.75		51		2.5
EA40/26	9.6	2.66	24.0	1450	1.65	2.2	Y2-100L2-4	38	264	1.8
	16.0	4.44	22.7		2.02	2.2	3KW	49		1.9
	19.2	5.33	21.7		2.22	3		51		2.2
EA40/26 A	9.3	2.57	22.0	1450	1.50	2.2	Y2-100L2-4	37	255	1.8
	15.4	4.29	20.7		1.83	3	3KW	47.5		1.9
	18.5	5.15	19.6		1.98	3		50		2.2
EA40/26 B	8.9	2.47	20.3	1450	1.37	2.2	Y2-100L2-4	36	245	1.8
	14.8	4.12	18.9		1.64	2.2	2.2KW	46.5		1.9
	17.8	4.94	18.0		1.76	2.2		49.5		2.2
EA40/26 C	8.5	2.37	18.4	1450	1.26	2.2	Y2-100L1-4	34	235	1.8
	14.2	3.95	17.3		1.47	2.2	2.2KW	45.5		1.9
	17.1	4.74	16.4		1.57	2.2		48.5		2.2
EA40/26 D	8.2	2.27	16.8	1450	1.13	1.5	Y2-100L1-4	33	225	1.8
	13.6	3.78	15.7		1.29	2.2	2.2KW	45		1.9
	16.3	4.54	15.0		1.42	2.2		47		2.2
EA40/26 E	7.8	2.17	15.2	1450	1.01	1.5	Y2-100L1-4	32	215	1.8
	13.0	3.62	14.2		1.14	1.5	1.5KW	44		1.9
	15.6	4.34	13.5		1.23	1.5		46.5		2.2
EA40/26 F	7.4	2.07	13.7	1450	0.93	1.5	Y2-100L1-4	30	205	1.8
	12.4	3.45	12.9		1.04	1.5	1.5KW	42		1.9
	14.9	4.14	12.2		1.10	1.5		45		2.2



EA	Capacity		Head	Speed	Power(kw)		Motor Model	Eff	Impeller Dia.	(NPSH)r
	m ³ /h	L/s			kw	kw				
Model	m ³ /h	L/s	m	r/min	kw	kw		%	mm	m
EA40/32	10.8	3.00	37.5	1450	3.56	5.5	Y2-132S-4	31	329	2.1
	18.0	5.00	35.6		4.36	5.5	5.5KW	40		2.3
	21.6	6.00	33.8		4.73	5.5		42		2.5
EA40/32 A	10.3	2.87	33.9	1450	3.13	4	Y2-132S-4	30.5	315	2.1
	17.2	4.79	32.0		3.75	5.5	5.5KW	40		2.3
	20.7	5.74	30.5		4.09	5.5		42		2.5
EA40/32 B	9.8	2.74	30.6	1450	2.73	4	Y2-132S-4	30	300	2.1
	16.4	4.56	29.0		3.32	4	5.5KW	39		2.3
	19.7	5.47	27.6		3.61	5.5		41		2.5
EA40/32 C	9.4	2.60	27.8	1450	2.36	3	Y2-112 M-4	30	285	2.1
	15.6	4.33	26.0		2.94	4	4KW	37.5		2.3
	18.7	5.20	24.4		3.11	4		40		2.5
EA40/32 D	8.9	2.46	24.3	1450	1.99	3	Y2-112 M-4	29.5	270	2.1
	14.8	4.10	23.2		2.52	4	4KW	37		2.3
	17.7	4.92	21.5		2.66	4		39		2.5
EA40/32 E	8.4	2.33	22.0	1450	1.93	3	Y2-100L-4	26	255	2.1
	14.0	3.88	20.3		2.20	3	3KW	35		2.3
	16.7	4.65	19.6		2.41	3		37		2.5
EA50/13	17.4	4.82	6.8	1450	0.54	0.75	Y2-90S-4	59	139	2.2
	28.9	8.04	6.3		0.69	1.1	1.1KW	72		2.4
	34.7	9.65	5.8		0.75	1.1		73		2.7
EA50/13 A	16.2	4.51	5.8	1450	0.44	0.75	Y2-80Z-4	58.5	130	2.2
	27.1	7.52	5.2		0.53	0.75	0.75KW	72		2.4
	32.5	9.02	4.7		0.58	0.75		72		2.7
EA50/13 B	15.0	4.16	4.9	1450	0.33	0.55	Y2-80I-4	62	120	2.2
	25.0	6.94	4.4		0.42	0.55	0.55KW	71		2.4
	30.0	8.33	3.8		0.45	0.55		69		2.7
EA50/13 C	13.7	3.82	4.1	1450	0.25	0.55	Y2-80I-4	61	110	2.2
	22.9	6.36	3.4		0.32	0.55	0.55KW	67		2.4
	27.5	7.64	2.8		0.33	0.55		64		2.7
EA50/16	18.5	5.15	10.5	1450	0.81	1.1	Y2-90L-4	65	174	2.1
	30.9	8.58	9.5		1.08	1.5	1.5KW	74		2.2
	37.1	10.30	8.8		1.27	1.5		70		2.4
EA50/16 A	17.6	4.88	9.4	1450	0.71	1.1	Y2-90L-4	64	165	2.1
	29.3	8.14	8.5		0.93	1.5	1.5KW	73		2.2
	35.1	9.76	7.8		1.02	1.5		73		2.4
EA50/16 B	16.5	4.59	8.3	1450	0.61	1.1	Y2-90S-4	61	155	2.1
	27.5	7.64	7.5		0.78	1.1	1.1KW	72		2.2
	33.0	9.17	6.9		0.86	1.1		72		2.4
EA50/16 C	15.4	4.29	7.3	1450	0.52	0.75	Y2-90S-4	59	145	2.1
	25.7	7.15	6.6		0.66	1.1	1.1KW	70		2.2
	30.9	8.58	6.0		0.71	1.1		71.5		2.4
EA50/16 D	14.4	3.99	6.3	1450	0.43	0.55	Y2-80Z-4	57.5	135	2.1
	24.0	6.66	5.7		0.55	0.75	0.75KW	67.5		2.2
	28.8	7.99	5.0		0.58	0.75		67		2.4
EA50/16 E	13.3	3.70	5.4	1450	0.35	0.55	Y2-80I-4	56	125	2.1
	22.2	6.16	4.6		0.42	0.55	0.55KW	66		2.2
	26.6	7.40	4.0		0.45	0.55		65		2.4
EA50/20	18.0	5.00	15.3	1450	1.27	2.2	Y2-100L1-4	59	214	1.3
	30.0	8.33	13.3		1.67	2.2	2.2KW	65		1.5
	36.0	10.00	11.8		1.86	2.2		62		1.8
EA50/20 A	17.2	4.79	14.0	1450	1.15	1.5	Y2-100L1-4	57.5	205	1.3
	28.7	7.98	12.0		1.45	2.2	2.2KW	64.5		1.5
	34.5	9.58	10.6		1.63	2.2		61		1.8
EA50/20 B	16.4	4.55	12.5	1450	1.02	1.5	Y2-100L1-4	54.5	195	1.3
	27.3	7.59	10.7		1.26	2.2	2.2KW	63		1.5
	32.8	9.11	9.4		1.40	2.2		60		1.8
EA50/20 C	15.6	4.32	11.1	1450	0.90	1.1	Y2-90L-4	52	185	1.3
	25.9	7.20	9.6		1.11	1.5	1.5KW	61.5		1.5
	31.1	8.64	8.2		1.19	1.5		58.5		1.8
EA50/20 D	14.7	4.09	9.8	1450	0.76	1.1	Y2-90L-4	51.5	175	1.3
	24.5	6.81	8.3		0.95	1.5	1.5KW	58.5		1.5
	29.4	8.17	7.2		1.05	1.5		55		1.8
EA50/20 E	13.9	3.85	8.6	1450	0.66	1.1	Y2-90S-4	49	165	1.3
	23.1	6.42	7.1		0.81	1.1	1.1KW	55		1.5
	27.7	7.71	5.9		0.86	1.1		52		1.8



EA	Capacity		Head	Speed	Power(kw)		Motor Model	Eff	Impeller Dia.	(NPSH)r
	m ³ /h	L/s			kw	kw				
Model	m ³ /h	L/s	m	r/min	kw	kw		%	mm	m
EA50/26	19.2	5.33	25.0	1450	2.47	3	Y2-132S-4	53	264	1.7
	32.0	8.89	23.5		3.25	4	5.5KW	63		1.8
	38.4	10.67	22.3		3.64	5.5		64		1.9
EA50/26 A	18.5	5.15	23.1	1450	2.26	3	Y2-132S-4	51.5	255	1.7
	30.9	8.59	21.7		2.95	4	5.5KW	62		1.8
	37.1	10.30	20.6		3.30	5.5		63		1.9
EA50/26 B	17.8	4.95	21.4	1450	2.02	3	Y2-112 M-4	51.5	245	1.7
	29.7	8.25	20.0		2.61	4	4KW	62		1.8
	35.6	9.90	19.1		2.92	4		63.5		1.9
EA50/26 C	17.1	4.75	19.8	1450	1.81	3	Y2-112 M-4	51	235	1.7
	28.5	7.91	18.6		2.36	3	4KW	61		1.8
	34.2	9.50	17.7		2.61	4		63		1.9
EA50/26 D	16.4	4.55	18.2	1450	1.62	2.2	Y2-100L2-4	50	225	1.7
	27.3	7.58	17.0		2.10	3	3KW	60		1.8
	32.7	9.09	16.1		2.33	3		61.5		1.9
EA50/26 E	15.6	4.34	16.6	1450	1.43	2.2	Y2-100L2-4	49.5	215	1.7
	26.1	7.24	15.5		1.85	3	3KW	59.5		1.8
	31.3	8.69	14.7		2.05	3		61		1.9
EA50/26 F	14.9	4.14	15.1	1450	1.25	1.5	Y2-90L-4	49	205	1.7
	24.9	6.90	14.0		1.62	2.2	2.2KW	58.5		1.8
	29.8	8.28	13.2		1.79	2.2		60		1.9
EA50/32	30.2	8.40	35.6	1450	5.64	7.5	Y2-160M-4	52	329	1.5
	50.4	14.00	31.1		7.36	11	11KW	58		2.2
	60.5	16.80	27.8		8.32	11		55		2.7
EA50/32 A	29.0	8.04	32.5	1450	4.93	7.5	Y2-160M-4	52	315	1.5
	48.3	13.40	27.3		6.24	7.5	11KW	57.5		2.2
	57.9	16.09	24.9		7.14	11		55		2.7
EA50/32 B	27.6	7.66	29.4	1450	4.24	5.5	Y2-132M-4	52	300	1.5
	46.0	12.77	25.1		5.51	7.5	7.5KW	57		2.2
	55.1	15.32	22.4		6.23	7.5		54		2.7
EA50/32 C	26.2	7.28	26.1	1450	3.58	5.5	Y2-132M-4	52	285	1.5
	43.7	12.13	22.4		4.75	7.5	7.5KW	56		2.2
	52.4	14.55	19.6		5.23	7.5		53.5		2.7
EA50/32 D	24.8	6.89	23.0	1450	2.99	4	Y2-132S-4	52	270	1.5
	41.4	11.49	19.8		3.98	5.5	5.5KW	56		2.2
	49.6	13.79	17.2		4.47	5.5		52		2.7
EA50/32 E	23.4	6.51	20.2	1450	2.48	4	Y2-112 M-4	52	255	1.5
	39.1	10.85	19.8		3.83	4	4KW	55		2.2
	46.9	13.02	14.9		3.66	4		52		2.7
EA65/13	29.0	8.05	6.4	1450	0.78	1.1	Y2-90L-4	65	139	2.3
	48.3	13.41	5.5		0.93	1.5	1.5KW	78		2.4
	57.9	16.09	4.8		0.98	1.5		77		2.7
EA65/13 A	27.1	7.53	5.5	1450	0.60	0.75	Y2-90S-4	68	130	2.3
	45.2	12.54	4.6		0.72	1.1	1.1KW	78		2.4
	54.2	15.05	3.6		0.71	1.1		75		2.7
EA65/13 B	25.0	6.95	4.6	1450	0.46	0.75	Y2-802-4	67.5	120	2.3
	41.7	11.58	3.8		0.56	0.75	0.75KW	77.5		2.4
	50.0	13.89	3.0		0.55	0.75		74		2.7
EA65/16	30.0	8.33	10.2	1450	1.26	2.2	Y2-100L1-4	66	174	2
	50.0	13.89	8.8		1.54	2.2	2.2KW	78		2.3
	60.0	16.67	7.8		1.65	2.2		77		2.6
EA65/16 A	28.5	7.90	9.2	1450	1.08	1.5	Y2-100L1-4	65.5	165	2
	47.4	13.17	7.5		1.26	2.2	2.2KW	77		2.3
	56.9	15.81	6.7		1.38	2.2		75		2.6
EA65/16 B	26.7	7.42	8.1	1450	0.91	1.1	Y2-90L-4	65	155	2
	44.5	12.37	7.1		1.14	1.1	1.5KW	75.5		2.3
	53.5	14.85	5.9		1.16	1.5		74		2.6
EA65/16 C	25.0	6.95	7.1	1450	0.75	1.1	Y2-90L-4	64	145	2
	41.7	11.58	6.0		0.92	1.5	1.5KW	74		2.3
	50.0	13.89	5.2		0.98	1.5		72		2.6
EA65/16 D	23.3	6.47	6.1	1450	0.64	1.1	Y2-90S-4	61	135	2
	38.8	10.78	5.2		0.76	1.1	1.1KW	72		2.3
	46.6	12.93	4.5		0.82	1.1		70		2.6
EA65/16 E	21.6	5.99	5.5	1450	0.54	0.75	Y2-90S-4	60	125	2
	35.9	9.98	4.5		0.63	1.1	1.1KW	69		2.3
	43.1	11.97	3.8		0.67	1.1		67		2.6



EA	Capacity		Head	Speed	Power(kw)		Motor Model	Eff	Impeller Dia.	(NPSH)r
	m ³ /h	L/s			kw	kw				
EA65/20	33.0	9.16	15.6	1450	2.15	3	Y2-112 M-4	65	214	1.7
	55.0	15.27	13.7		2.83	4	4KW	72.5		1.9
	66.0	18.32	11.4		2.88	4		71		2.1
EA65/20 A	31.6	8.78	14.1	1450	1.89	3	Y2-100L2-4	64	205	1.7
	52.7	14.63	12.4		2.45	3	3KW	72.5		1.9
	63.2	17.55	11.1		2.65	3		72		2.1
EA65/20 B	30.1	8.35	12.8	1450	1.68	2.2	Y2-100L2-4	62	195	1.7
	50.1	13.91	11.2		2.12	3	3KW	72		1.9
	60.1	16.70	10.0		2.28	3		72		2.1
EA65/20 C	28.5	7.92	11.4	1450	1.47	2.2	Y2-100L1-4	60	185	1.7
	47.5	13.20	10.0		1.81	2.2	2.2KW	71.5		1.9
	57.0	15.84	9.0		1.98	2.2		71		2.1
EA65/20 D	27.0	7.49	10.2	1450	1.34	2.2	Y2-100L1-4	56	175	1.7
	45.0	12.49	8.9		1.57	2.2	2.2KW	69.5		1.9
	53.9	14.98	7.8		1.66	2.2		69		2.1
EA65/20 E	25.4	7.06	9.0	1450	1.13	1.5	Y2-100L1-4	55	165	1.7
	42.4	11.77	7.7		1.31	2.2	2.2KW	68		1.9
	50.9	14.13	6.8		1.43	2.2		66		2.1
EA65/26	36.0	10.00	24.6	1450	4.09	5.5	Y2-132M-4	59	264	1.7
	60.0	16.67	23.0		5.22	7.5	7.5KW	72		1.9
	72.0	20.00	21.7		5.83	7.5		73		2
EA65/26 A	34.8	9.66	22.7	1450	3.64	5.5	Y2-132M-4	59	255	1.7
	58.0	16.10	21.5		4.70	7.5	7.5KW	72		1.9
	69.6	19.32	20.0		5.19	7.5		73		2
EA65/26 B	33.4	9.28	21.0	1450	3.29	4	Y2-132S-4	58	245	1.7
	55.7	15.47	19.8		4.23	5.5	5.5KW	71		1.9
	66.8	18.56	18.3		4.59	5.5		72.5		2
EA65/26 C	32.1	8.90	19.6	1450	3.00	4	Y2-132S-4	57	235	1.7
	53.4	14.84	18.2		3.79	5.5	5.5KW	70		1.9
	64.1	17.81	17.0		4.12	5.5		72		2
EA65/26 D	30.7	8.52	18.1	1450	2.70	4	Y2-132S-4	56	225	1.7
	51.1	14.21	16.7		3.37	5.5	5.5KW	69		1.9
	61.4	17.05	15.3		3.70	5.5		69		2
EA65/26 E	29.3	8.15	16.4	1450	2.38	3	Y2-112 M-4	55	215	1.7
	48.9	13.58	15.1		3.00	4	4KW	67		1.9
	58.6	16.29	13.9		3.31	4		67		2
EA65/26 F	28.0	7.77	15.0	1450	2.15	3	Y2-112 M-4	53	205	1.7
	46.6	12.94	13.8		2.67	4	4KW	65.5		1.9
	55.9	15.53	12.5		2.93	4		65		2
EA65/32	39.0	10.84	37.0	1450	7.28	11	Y2-160L-4	54	329	1.9
	65.0	18.06	34.0		9.40	11	15KW	64		2
	78.0	21.67	31.7		10.36	15		65		2.1
EA65/32 A	37.3	10.37	33.4	1450	6.35	7.5	Y2-160M-4	53.5	315	1.9
	62.2	17.29	30.6		8.10	11	11KW	64		2
	74.7	20.75	28.4		8.95	11		64.5		2.1
EA65/32 B	35.6	9.88	30.0	1450	5.48	7.5	Y2-160M-4	53	300	1.9
	59.3	16.47	27.2		6.86	11	11KW	64		2
	71.1	19.76	24.8		7.50	11		64		2.1
EA65/32 C	33.8	9.39	27.0	1450	4.78	7.5	Y2-132M-4	52	285	1.9
	56.3	15.64	24.2		5.84	7.5	7.5KW	63.5		2
	67.6	18.77	21.8		6.32	7.5		63.5		2.1
EA65/32 D	32.0	8.89	24.2	1450	4.18	5.5	Y2-132M-4	50.5	270	1.9
	53.4	14.82	21.4		4.97	7.5	7.5KW	62.5		2
	64.0	17.79	19.0		5.34	7.5		62		2.1
EA65/32 E	30.2	8.40	21.1	1450	3.54	5.5	Y2-132S-4	49	255	1.9
	50.4	14.00	19.0		4.20	5.5	5.5KW	62		2
	60.5	16.80	16.6		4.55	5.5		60		2.1
EA80/16	48.0	13.33	9.9	1450	1.96	3	Y2-100L2-4	66	174	2.3
	80.0	22.22	8.8		2.46	3	3KW	78		2.5
	96.0	26.66	7.9		2.68	3		77		3.7
EA80/16 A	45.5	12.64	8.7	1450	1.66	2.2	Y2-100L2-4	65	165	2.3
	75.9	21.07	7.5		2.00	3	3KW	77.5		2.5
	91.0	25.28	6.5		2.15	3		75		3.7
EA80/16 B	42.8	11.88	7.5	1450	1.39	2.2	Y2-100L1-4	63	155	2.3
	71.3	19.79	6.3		1.60	2.2	2.2KW	76.5		2.5
	85.5	23.75	5.3		1.73	2.2		71.5		3.7



EA	Capacity		Head	Speed	Power(kw)		Motor Model	Eff	Impeller Dia.	(NPSH) _r
	m ³ /h	L/s			kw	kw				
Model			m	r/min	kw	kw		%	mm	m
EA80/16 C	40.0	11.11	6.7	1450	1.18	1.5	Y2-100L1-4	62	145	2.3
	66.7	18.52	5.5		1.33	2.2	2.2KW	75		2.5
	80.0	22.22	4.5		1.40	2.2		70		3.7
EA80/16 D	37.2	10.34	5.8	1450	0.97	1.5	Y2-90L-4	61	135	2.3
	62.1	17.24	4.6		1.11	1.5	1.5KW	70		2.5
	74.5	20.69	3.8		1.13	1.5		68		3.7
EA80/20	57.0	15.83	15.4	1450	3.46	5.5	Y2-132M-4	69	214	1.9
	95.0	26.39	14.1		4.50	5.5	7.5KW	81		2
	114.0	31.67	13.1		4.99	7.5		81.5		2.4
EA80/20 A	54.6	15.17	14.0	1450	3.06	4	Y2-132S-4	68	205	1.9
	91.0	25.28	12.7		3.88	5.5	5.5KW	81		2
	109.2	30.34	11.6		4.26	5.5		81		2.4
EA80/20 B	51.9	14.43	12.6	1450	2.74	4	Y2-112 M-4	65	195	1.9
	86.6	24.05	11.2		3.30	4	4KW	80		2
	103.9	28.86	10.1		3.57	4		80		2.4
EA80/20 C	49.3	13.69	11.3	1450	2.41	3	Y2-112 M-4	63	185	1.9
	82.1	22.81	10.0		2.85	4	4KW	78.5		2
	98.6	27.38	8.8		3.03	4		78		2.4
EA80/20 D	46.6	12.95	10.0	1450	2.05	3	Y2-100L2-4	62	175	1.9
	77.7	21.58	8.7		2.42	3	3KW	76		2
	93.2	25.90	7.5		2.54	3		75		2.4
EA80/20 E	44.0	12.21	8.8	1450	1.74	3	Y2-100L2-4	60.5	165	1.9
	73.3	20.35	7.4		1.99	3	3KW	74		2
	87.9	24.42	6.4		2.13	3		72		2.4
EA80/26	57.0	15.83	24.0	1450	5.64	7.5	Y2-160M-4	66	264	1.6
	95.0	26.39	21.5		7.32	11	11KW	76		2
	114.0	31.67	19.5		8.07	11		75		2.4
EA80/26 A	55.1	15.29	22.4	1450	4.94	7.5	Y2-160M-4	68	255	1.6
	91.8	25.49	20.1		6.68	11	11KW	75		2
	110.1	30.59	17.9		7.45	11		72		2.4
EA80/26 B	52.9	14.69	20.7	1450	4.44	5.5	Y2-132M-4	67	245	1.6
	88.2	24.49	18.2		5.79	7.5	7.5KW	75.5		2
	105.8	29.39	16.3		6.34	7.5		74		2.4
EA80/26 C	50.7	14.09	19.2	1450	3.99	5.5	Y2-132M-4	66.5	235	1.6
	84.6	23.49	16.5		5.06	7.5	7.5KW	75		2
	101.5	28.19	14.7		5.56	7.5		73		2.4
EA80/26 D	48.6	13.49	17.6	1450	3.50	5.5	Y2-132M-4	66.5	225	1.6
	81.0	22.49	15.1		4.48	7.5	7.5KW	74.5		2
	97.2	26.99	13.2		4.78	7.5		73		2.4
EA80/26 E	46.4	12.90	16.0	1450	3.06	4	Y2-132S-4	66	215	1.6
	77.4	21.49	13.8		3.93	5.5	5.5KW	74		2
	92.8	25.79	11.9		4.18	5.5		72		2.4
EA80/26 F	44.3	12.30	14.5	1450	2.67	4	Y2-132S-4	65.5	205	1.6
	73.8	20.49	12.6		3.47	5.5	5.5KW	73		2
	88.5	24.59	10.7		3.66	5.5		70.5		2.4
EA80/32	60.0	16.67	35.8	1450	10.08	15	Y2-180M-4	58	329	1.5
	100.0	27.78	33.4		13.18	18.5	18.5KW	69		1.8
	120.0	33.34	31.3		14.40	18.5		71		2
EA80/32 A	57.5	15.96	32.5	1450	8.92	11	Y2-160L-4	57	315	1.5
	95.8	26.60	30.1		11.21	15	15KW	70		1.8
	114.9	31.92	28.4		12.56	15		70.7		2
EA80/32 B	54.7	15.20	29.7	1450	7.83	11	Y2-160L-4	56.5	300	1.5
	91.2	25.33	27.5		9.75	15	15KW	70		1.8
	109.4	30.40	25.6		10.79	15		70.7		2
EA80/32 C	52.0	14.44	26.8	1450	6.77	11	Y2-160M-4	56	285	1.5
	86.6	24.06	24.9		8.38	11	11KW	70.1		1.8
	104.0	28.88	22.8		9.14	11		70.6		2
EA80/32 D	49.2	13.68	23.3	1450	5.58	7.5	Y2-160M-4	56	270	1.5
	82.1	22.80	21.5		6.83	11	11KW	70.3		1.8
	98.5	27.36	19.7		7.50	11		70.4		2
EA80/32 E	46.5	12.92	20.4	1450	4.53	5.5	Y2-132M-4	57	255	1.5
	77.5	21.53	18.8		5.63	7.5	7.5KW	70.5		1.8
	93.0	25.84	17.1		6.15	7.5		70.4		2
EA80/40	60.0	16.67	56.5	1450	17.92	22	Y2-200L-4	51.5	409	1.8
	100.0	27.78	52.2		23.11	30	30KW	61.5		2
	120.0	33.34	47.8		25.52	30		61.2		2.3
EA80/40 A	58.0	16.10	52.1	1450	15.81	22	Y2-200L-4	52	395	2.2
	96.6	26.83	47.8		20.44	30	30KW	61.5		2.4
	115.9	32.19	44.2		22.82	30		61.1		3.2



EA	Capacity		Head	Speed	Power(kw)		Motor Model	Eff	Impeller Dia.	(NPSH)r
	m ³ /h	L/s			kw	kw				
EA80/40 B	55.8	15.49	48.3	1450	14.37	18.5	Y2-200L-4	51	380	2.2
	92.9	25.81	44.2		18.18	22	30KW	61.5		2.4
	111.5	30.97	40.2		20.34	30		60		3
EA80/40 C	53.5	14.87	44.2	1450	12.51	15	Y2-180L-4	51.5	365	2.2
	89.2	24.79	40.2		15.93	18.5	22KW	61.3		2.3
	107.1	29.75	36.7		17.83	22		60		2.8
EA80/40 D	51.3	14.26	40.2	1450	11.02	15	Y2-180L-4	51	350	2.2
	85.6	23.77	36.5		14.08	18.5	18.5KW	60.4		2.3
	102.7	28.53	33.3		15.73	22		59.2		2.8
EA80/40 E	49.1	13.65	36.8	1450	9.95	15	Y2-180L-4	49.5	335	2.2
	81.9	22.75	33.5		12.53	15	18.5KW	59.6		2.3
	98.3	27.30	30.4		13.86	18.5		58.7		2.8
EA80/40 F	46.9	13.04	33.2	1450	8.84	11	Y2-160L-4	48	320	2.2
	78.2	21.73	30.4		11.11	15	15KW	58.3		2.3
	93.9	26.08	27.8		12.40	15		57.3		2.8
EA100/16	75.6	21.00	8.8	1450	2.70	4	Y2-112 M-4	67	176	2
	126.0	35.00	7.2		3.05	4	4KW	81		2.1
	151.2	42.00	5.8		3.11	4		78.2		2.7
EA100/16 A	70.9	19.69	7.8	1450	2.21	3	Y2-100L2-4	68	165	2
	118.1	32.81	6.2		2.51	3	3KW	79.5		2.1
	141.8	39.38	5.5		2.70	3		78.5		2.7
EA100/16 B	66.6	18.49	6.8	1450	1.84	3	Y2-100L2-4	67	155	2
	111.0	30.82	5.5		2.14	3	3KW	77.6		2.1
	133.2	36.99	4.5		2.16	3		75.5		2.7
EA100/16 C	62.3	17.30	6.0	1450	1.58	2.2	Y2-90L-4	64.5	145	2
	103.8	28.84	4.8		1.78	2.2	2.2KW	76		2.1
	124.6	34.60	3.9		1.81	2.2		73		2.7
EA100/20	85.2	23.66	14.9	1450	4.94	7.5	Y2-160M-4	70	214	1.7
	142.0	39.44	13.0		6.28	7.5	11KW	80		1.9
	170.4	47.33	11.1		6.86	11		75		2.2
EA100/20 A	81.6	22.67	13.4	1450	4.25	5.5	Y2-132M-4	70	205	1.7
	136.0	37.78	11.5		5.39	7.5	7.5KW	79		1.9
	163.2	45.34	9.8		5.77	7.5		75.5		2.2
EA100/20 B	77.6	21.56	12.1	1450	3.77	5.5	Y2-132S-4	68	195	1.7
	129.4	35.94	10.0		4.57	5.5	5.5KW	77		1.9
	155.3	43.13	8.3		4.74	5.5		74		2.2
EA100/20 C	73.6	20.46	10.8	1450	3.23	4	Y2-132S-4	67	185	1.7
	122.7	34.10	8.7		3.85	5.5	5.5KW	75.5		1.9
	147.3	40.91	7.1		4.01	5.5		71		2.2
EA100/20 D	69.7	19.35	9.5	1450	2.86	4	Y2-112 M-4	63	175	1.7
	116.1	32.25	7.3		3.14	4	4KW	73.5		1.9
	139.3	38.70	5.7		3.18	4		68		2.2
EA100/20 E	65.7	18.25	8.3	1450	2.47	3	Y2-100L-4	60	165	1.7
	109.5	30.41	6.1		2.57	3	3KW	70.8		1.9
	131.4	36.49	4.5		2.60	3		62		2.2
EA100/26	88.8	24.67	24.7	1450	8.91	11	Y2-160L-4	67	264	1.8
	148.0	41.11	22.0		11.36	15	15KW	78		2
	177.6	49.33	19.6		12.63	15		75		2.3
EA100/26 A	85.8	23.83	22.8	1450	8.01	11	Y2-160L-4	66.5	255	1.8
	143.0	39.71	20.4		10.38	15	15KW	76.5		2
	171.5	47.65	18.0		11.44	15		73.5		2.3
EA100/26 B	82.4	22.89	21.1	1450	7.17	7.5	Y2-160M-4	66	245	1.8
	137.3	38.15	18.8		9.39	11	11KW	75		2
	164.8	45.78	16.6		10.21	11		73		2.3
EA100/26 C	79.0	21.96	19.3	1450	6.39	7.5	Y2-160M-4	65	235	1.8
	131.7	36.59	17.0		8.29	11	11KW	73.5		2
	158.1	43.91	14.9		9.03	11		71		2.3
EA100/26 D	75.7	21.02	17.6	1450	5.85	7.5	Y2-160M-4	62	225	1.8
	126.1	35.04	15.3		7.30	11	11KW	72		2
	151.4	42.04	13.2		7.88	11		69		2.3
EA100/26 E	72.3	20.09	16.0	1450	5.08	7.5	Y2-160M-4	62	215	1.8
	120.5	33.48	13.6		6.20	7.5	11KW	72		2
	144.6	40.18	11.5		6.61	11		68.5		2.3
EA100/26 F	69.0	19.15	14.4	1450	4.58	7.5	Y2-132M-4	59	205	1.8
	114.9	31.92	12.0		5.52	7.5	7.5KW	68		2
	137.9	38.31	10.0		5.87	7.5		64		2.3



EA	Capacity		Head	Speed	Power(kw)		Motor Model	Eff	Impeller Dia.	(NPSH)r
	m ³ /h	L/s			kw	kw				
Model	m ³ /h	L/s	m	r/min	kw	kw		%	mm	m
EA100/32	81.0	22.50	38.0	1450	12.32	15	Y2-180L-4	68	329	2
	135.0	37.50	34.0		16.10	22	22KW	77.6		2.2
	162.0	45.00	30.2		18.24	22		73		2.7
EA100/32 A	77.6	21.54	34.4	1450	10.84	15	Y2-180L-4	67	315	2
	129.3	35.90	31.0		14.31	18.5	22KW	76.2		2.2
	155.1	43.09	27.6		16.19	22		72		2.7
EA100/32 B	73.9	20.52	31.1	1450	9.47	15	Y2-180M-4	66	300	2
	123.1	34.19	28.0		12.68	18.5	18.5KW	74		2.2
	147.7	41.03	25.0		14.16	18.5		71		2.7
EA100/32 C	70.2	19.49	28.2	1450	8.29	11	Y2-160L-4	65	285	2
	116.9	32.48	25.0		11.13	15	15KW	71.5		2.2
	140.3	38.98	22.1		12.70	15		66.5		2.7
EA100/32 D	66.5	18.47	25.7	1450	7.50	11	Y2-160L-4	62	270	2
	110.8	30.78	22.3		9.89	11	15KW	68		2.2
	132.9	36.93	19.8		11.13	15		64.5		2.7
EA100/32 E	62.8	17.44	22.9	1450	6.64	11	Y2-160L-4	59	255	2
	104.6	29.07	19.8		8.68	11	15KW	65		2.2
	125.6	34.88	16.8		9.57	15		60		2.7
EA100/40	90.7	25.20	56.8	1450	22.62	30	Y2-225M-4	62	409	1.5
	151.2	42.00	51.8		30.03	37	45KW	71		1.8
	181.4	50.40	47.0		34.39	45		67.5		2.1
EA100/40 A	87.6	24.34	52.4	1450	20.49	30	Y2-225S-4	61	395	1.5
	146.0	40.56	47.4		27.11	37	37KW	69.5		1.8
	175.2	48.67	42.6		30.79	37		66		2.1
EA100/40 B	84.3	23.41	48.2	1450	18.43	30	Y2-225S-4	60	380	1.5
	140.5	39.02	43.4		24.77	37	37KW	67		1.8
	168.6	46.83	38.8		27.18	37		65.5		2.1
EA100/40 C	81.0	22.49	44.5	1450	16.91	22	Y2-200L-4	58	365	1.5
	134.9	37.48	39.5		21.82	30	30KW	66.5		1.8
	161.9	44.98	35.0		24.11	30		64		2.1
EA100/40 D	77.6	21.56	40.6	1450	14.92	18.5	Y2-200L-4	57.5	350	1.5
	129.4	35.94	35.9		19.45	22	30KW	65		1.8
	155.3	43.13	31.7		21.44	30		62.5		2.1
EA100/40 E	74.3	20.64	37.5	1450	13.55	18.5	Y2-180L-4	56	335	1.5
	123.8	34.40	32.9		17.33	22	22KW	64		1.8
	148.6	41.28	28.8		19.10	22		61		2.1
EA100/40 F	71.0	19.72	34.0	1450	11.94	15	Y2-180L-4	55	320	1.5
	118.3	32.86	29.8		15.23	18.5	22KW	63		1.8
	142.0	39.43	25.8		16.90	22		59		2.1
EA125/20	114.5	31.80	15.0	1450	7.54	11	Y2-160M-4	62	214	1.3
	190.8	53.00	13.3		8.74	11	11KW	79		1.7
	229.0	63.60	11.7		9.29	11		78.5		1.85
EA125/20 A	109.7	30.46	13.3	1450	6.51	11	Y2-160M-4	61	205	1.3
	182.8	50.77	11.5		7.43	11	11KW	77		1.7
	219.3	60.93	9.9		7.78	11		76		1.85
EA125/20 B	104.3	28.98	11.7	1450	5.63	7.5	Y2-132M-4	59	195	1.3
	173.9	48.29	9.7		6.12	7.5	7.5KW	75		1.7
	208.6	57.95	8.1		6.39	7.5		72		1.85
EA125/20 C	99.0	27.49	10.2	1450	4.74	7.5	Y2-132M-4	58	185	1.3
	164.9	45.82	8.0		5.13	7.5	7.5KW	70		1.7
	197.9	54.98	6.3		5.14	7.5		66		1.85
EA125/26	144.0	40.00	24.0	1450	13.25	18.5	Y2-180L-4	71	264	2.2
	240.0	66.67	22.2		17.27	22	22KW	84		2.8
	288.0	80.00	20.5		19.25	22		83.5		3.3
EA125/26 A	139.1	38.64	21.9	1450	11.68	15	Y2-180L-4	71	255	2.2
	231.8	64.40	20.1		15.19	18.5	22KW	83.5		2.8
	278.2	77.28	18.3		16.70	22		83		3.3
EA125/26 B	133.6	37.12	20.0	1450	10.39	15	Y2-180M-4	70	245	2.2
	222.7	61.87	18.3		13.37	18.5	18.5KW	83		2.8
	267.3	74.25	16.5		14.73	18.5		81.5		3.3
EA125/26 C	128.2	35.61	18.3	1450	9.12	11	Y2-160L-4	70	235	2.2
	213.6	59.35	16.4		11.78	15	15KW	81		2.8
	256.4	71.22	14.5		12.65	15		80		3.3
EA125/26 D	122.7	34.09	16.6	1450	8.04	11	Y2-160L-4	69	225	2.2
	204.6	56.82	14.4		10.02	15	15KW	80		2.8
	245.5	68.19	12.4		10.83	15		76.5		3.3



EA	Capacity		Head	Speed	Power(kw)		Motor Model	Eff	Impeller Dia.	(NPSH)r
	m ³ /h	L/s			kw	kw				
Model	m ³ /h	L/s	m	r/min	kw	kw		%	mm	m
EA125/26 E	117.3	32.58	14.9	1450	7.00	11	Y2-160L-4	68	215	2.2
	195.5	54.30	12.7		8.66	11	15KW	78		2.8
	234.6	65.15	10.7		9.36	15		73		3.3
EA125/26 F	111.8	31.06	13.3	1450	6.04	7.5	Y2-160M-4	67	205	2.2
	186.4	51.77	11.0		7.44	11	11KW	75		2.8
	223.6	62.12	9.0		8.00	11		68.5		3.3
EA125/32	120.1	33.36	35.0	1450	17.60	22	Y2-200L-4	65	329	1.7
	200.2	55.60	32.7		22.41	30	30KW	79.5		2.2
	240.2	66.72	30.8		24.86	30		81		2.7
EA125/32 A	115.0	31.94	31.9	1450	15.36	18.5	Y2-200L-4	65	315	1.7
	191.6	53.23	29.9		19.75	30	30KW	79		2.2
	230.0	63.88	28.2		22.07	30		80		2.7
EA125/32 B	109.5	30.42	29.0	1450	13.40	18.5	Y2-180L-4	64.5	300	1.7
	182.5	50.70	27.0		17.09	22	22KW	78.5		2.2
	219.0	60.84	25.5		19.00	22		80		2.7
EA125/32 C	104.0	28.90	26.2	1450	11.59	15	Y2-180M-4	64	285	1.7
	173.4	48.16	24.4		14.77	18.5	18.5KW	78		2.2
	208.1	57.80	22.9		16.21	18.5		80		2.7
EA125/32 D	98.6	27.38	23.2	1450	9.73	11	Y2-160L-4	64	270	1.7
	164.3	45.63	21.4		12.59	15	15KW	76		2.2
	197.1	54.76	19.9		13.69	15		78		2.7
EA125/32 E	93.1	25.86	20.6	1450	8.42	11	Y2-160L-4	62	255	1.7
	155.1	43.09	18.8		10.73	15	15KW	74		2.2
	186.2	51.71	17.3		11.54	15		76		2.7
EA125/40	147.0	40.83	56.6	1450	34.84	45	Y2-280S-4	65	409	1.5
	245.0	68.05	52.5		47.00	55	75KW	74.5		2.8
	294.0	81.66	48.7		52.67	75		74		4
EA125/40 A	142.0	39.43	51.9	1450	31.34	37	Y2-250M-4	64	395	1.5
	236.6	65.72	47.6		42.00	55	55KW	73		2.8
	283.9	78.86	43.8		46.69	55		72.5		4
EA125/40 B	136.6	37.93	47.7	1450	28.15	37	Y2-225M-4	63	380	1.5
	227.6	63.22	43.1		37.35	45	45KW	71.5		2.8
	273.1	75.87	39.7		41.57	45		71		4
EA125/40 C	131.2	36.44	43.4	1450	25.00	30	Y2-225M-4	62	365	1.5
	218.6	60.73	39.8		33.36	37	45KW	71		2.8
	262.4	72.88	36.5		37.24	45		70		4
EA125/40 D	125.8	34.94	39.9	1450	22.40	30	Y2-225S-4	61	350	1.5
	209.6	58.23	36.6		30.27	37	37KW	69		2.8
	251.6	69.88	33.2		33.44	37		68		4
EA125/40 E	120.4	33.44	36.8	1450	20.10	30	Y2-225S-4	60	335	1.5
	200.7	55.74	33.5		27.31	30	37KW	67		2.8
	240.8	66.89	30.1		29.45	37		67		4
EA125/40 F	115.0	31.95	33.3	1450	17.67	22	Y2-200L-4	59	320	1.5
	191.7	53.24	30.1		23.80	30	30KW	66		2.8
	230.0	63.89	27.0		26.01	30		65		4
EA125/50	172.8	48.00	95.1	1450	75.82	90	Y2-315L1-4	59	525	2
	288.0	80.00	93.8		103.58	132	160KW	71		2.6
	345.6	96.00	91.0		118.09	160		72.5		3.9
EA125/50 A	164.6	45.71	86.7	1450	65.83	75	Y2-315M-4	59	500	2
	274.3	76.19	85.5		90.55	110	132KW	70.5		2.6
	329.1	91.43	83.1		102.70	132		72.5		3.9
EA125/50 B	156.3	43.43	78.1	1450	56.82	75	Y2-315S-4	58.5	475	2
	260.6	72.38	76.8		77.82	90	110KW	70		2.6
	312.7	86.86	74.6		88.19	110		72		3.9
EA125/50 C	148.1	41.14	69.9	1450	48.59	55	Y2-315S-4	58	450	2
	246.9	68.57	68.5		66.71	75	90KW	69		2.6
	296.2	82.29	66.6		74.59	90		72		3.9
EA125/50 D	139.9	38.86	61.9	1450	41.35	55	Y2-280S-4	57	425	2
	233.1	64.76	60.7		56.24	75	75KW	68.5		2.6
	279.8	77.71	59.0		62.85	75		71.5		3.9
EA125/50 E	131.7	36.57	54.2	1450	34.08	45	Y2-280S-4	57	400	2
	219.4	60.95	52.8		47.07	55	75KW	67		2.6
	263.3	73.14	51.4		51.89	75		71		3.9
EA150/20	216.0	60.00	14.1	1450	13.37	18.5	Y2-180M-4	62	214	3
	360.0	100.00	12.2		14.95	18.5	18.5KW	80		3.5
	432.0	120.00	10.6		16.51	18.5		75.5		4



EA	Capacity		Head	Speed	Power(kw)		Motor Model	Eff	Impeller Dia.	(NPSH)r
	m ³ /h	L/s			kw	kw				
Model	m ³ /h	L/s	m	r/min	kw	kw		%	mm	m
EA150/20 A	206.9	57.48	12.8	1450	11.82	15	Y2-180M-4	61	205	3
	344.9	95.79	10.8		13.00	15	18.5KW	78		3.5
	413.8	114.95	9.2		14.20	18.5		73		4
EA150/20 B	196.8	54.67	11.5	1450	10.44	15	Y2-160L-4	59	195	3
	328.0	91.12	9.5		11.24	15	15KW	75.5		3.5
	393.6	109.35	7.8		11.94	15		70		4
EA150/20 C	186.7	51.87	10.2	1450	9.10	11	Y2-160L-4	57	185	3
	311.2	86.45	8.2		9.78	15	15KW	71		3.5
	373.5	103.74	6.6		10.32	15		65		4
EA150/20 D	176.6	49.07	8.9	1450	8.07	11	Y2-160M-4	53	175	3
	294.4	81.78	6.9		8.38	11	11KW	66		3.5
	353.3	98.13	5.3		8.64	11		59		4
EA150/26	194.4	54.00	23.1	1450	16.98	22	Y2-200L-4	72	264	1.7
	324.0	90.00	21.0		22.73	30	30KW	81.5		2.1
	388.8	108.00	17.9		25.26	30		75		4
EA150/26 A	187.8	52.16	21.2	1450	15.05	18.5	Y2-200L-4	72	255	1.7
	313.0	86.93	18.9		20.38	30	30KW	79		2.1
	375.5	104.32	15.6		22.15	30		72		4
EA150/26 B	180.4	50.11	19.3	1450	13.35	18.5	Y2-180L-4	71	245	1.7
	300.7	83.52	16.7		17.75	22	22KW	77		2.1
	360.8	100.23	13.4		19.36	22		68		4
EA150/26 C	173.0	48.07	17.6	1450	11.84	15	Y2-180M-4	70	235	1.7
	288.4	80.11	14.7		15.49	18.5	18.5KW	74.5		2.1
	346.1	96.14	11.2		16.49	18.5		64		4
EA150/26 D	165.7	46.02	15.9	1450	10.70	15	Y2-180M-4	67	225	1.7
	276.1	76.70	12.6		13.15	18.5	18.5KW	72		2.1
	331.4	92.05	9.3		14.22	18.5		59		4
EA150/26 E	158.3	43.98	14.2	1450	9.42	11	Y2-160L-4	65	215	1.7
	263.9	73.30	10.3		11.56	15	15KW	64		2.1
	316.6	87.95	7.1		12.00	15		51		4
EA150/32	222.0	61.67	36.0	1450	29.80	37	Y2-250M-4	73	329	2.1
	370.0	102.78	34.0		40.53	55	55KW	84.5		3
	444.0	123.34	31.2		45.16	55		83.5		4
EA150/32 A	212.6	59.04	32.7	1450	25.92	30	Y2-225M-4	73	315	2.1
	354.3	98.41	30.3		35.21	45	45KW	83		3
	425.1	118.09	27.1		38.72	45		81		4
EA150/32 B	202.4	56.23	29.3	1450	22.43	30	Y2-225S-4	72	300	2.1
	337.4	93.72	26.6		30.16	37	37KW	81		3
	404.9	112.46	23.4		32.65	37		79		4
EA150/32 C	192.3	53.42	26.2	1450	19.32	22	Y2-200L-4	71	285	2.1
	320.5	89.03	23.0		25.40	30	30KW	79		3
	384.6	106.84	19.7		27.14	30		76		4
EA150/32 D	182.2	50.61	23.2	1450	16.44	22	Y2-200L-4	70	270	2.1
	303.7	84.35	19.8		21.26	30	30KW	77		3
	364.4	101.22	16.5		22.42	30		73		4
EA150/32 E	172.1	47.80	20.2	1450	13.71	18.5	Y2-180L-4	69	255	2.1
	286.8	79.66	16.6		17.28	22	22KW	75		3
	344.1	95.59	13.0		17.65	22		69		4
EA150/40	231.0	64.16	54.5	1450	51.15	75	Y2-280M-4	67	409	2
	385.0	106.94	49.5		63.65	75	90KW	81.5		3.3
	462.0	128.33	43.9		70.78	90		78		4.6
EA150/40 A	223.1	61.97	50.0	1450	46.01	55	Y2-280S-4	66	395	2
	371.8	103.28	45.3		57.31	75	75KW	80		3.3
	446.2	123.94	39.8		62.78	75		77		4.6
EA150/40 B	214.6	59.61	46.0	1450	40.72	55	Y2-280S-4	66	380	2
	357.7	99.36	41.4		51.03	75	75KW	79		3.3
	429.2	119.23	36.0		55.35	75		76		4.6
EA150/40 C	206.1	57.26	42.4	1450	36.05	45	Y2-250M-4	66	365	2
	343.6	95.44	37.7		45.79	55	55KW	77		3.3
	412.3	114.52	32.8		49.75	55		74		4.6
EA150/40 D	197.7	54.91	38.6	1450	31.95	37	Y2-225M-4	65	350	2
	329.4	91.51	34.1		40.24	45	45KW	76		3.3
	395.3	109.82	29.6		42.19	45		75.5		4.6



EA	Capacity		Head	Speed	Power(kw)		Motor Model	Eff	Impeller Dia.	(NPSH)r
	m ³ /h	L/s			kw	kw				
Model			m	r/min	kw	kw		%	mm	m
EA150/40 E	189.2	52.55	35.4	1450	28.49	37	Y2-225M-4	64	335	2
	315.3	87.59	31.2		36.69	45	45KW	73		3.3
	378.4	105.11	27.0		38.63	45		72		4.6
EA150/40 E	180.7	50.20	32.1	1450	24.87	30	Y2-225S-4	63.5	320	2
	301.2	83.67	28.4		31.90	37	37KW	73		3.3
	361.5	100.40	24.4		33.35	37		72		4.6
EA150/50	289.4	80.40	98.0	1450	115.25	132	Y2-315L2-4	67	525	2.2
	482.4	134.00	93.8		156.91	200	200KW	78.5		4.1
	578.9	160.80	89.5		178.53	200		79		6
EA150/50 A	275.7	76.57	88.9	1450	100.32	132	Y2-315L1-4	66.5	500	2.2
	459.4	127.62	84.8		135.97	160	160KW	78		4.1
	551.3	153.14	80.5		154.89	160		78		6
EA150/50 B	261.9	72.74	80.3	1450	86.73	110	Y2-315L1-4	66	475	2.2
	436.5	121.24	75.8		118.50	160	160KW	76		4.1
	523.7	145.49	71.7		134.51	160		76		6
EA150/50 C	248.1	68.91	72.0	1450	74.81	90	Y2-315M1-4	65	450	2.2
	413.5	114.86	67.3		101.00	132	132KW	75		4.1
	496.2	137.83	63.2		113.82	132		75		6
EA150/50 D	234.3	65.09	63.4	1450	63.19	75	Y2-315S-4	64	425	2.2
	390.5	108.48	58.9		84.61	110	110KW	74		4.1
	468.6	130.17	55.0		94.81	110		74		6
EA150/50 E	220.5	61.26	55.8	1450	53.17	75	Y2-280M-4	63	400	2.2
	367.5	102.10	51.8		71.98	90	90KW	72		4.1
	441.1	122.51	48.4		79.60	90		73		6
EA200/26	259.2	72.00	20.4	1450	23.22	30	Y2-200L-4	62	288	3
	432.0	120.00	16.1		23.67	30	30KW	80		4.5
	518.4	144.00	12.8		23.77	30		76		5.5
EA200/26 A	243.0	67.50	16.8	1450	18.52	22	Y2-180L-4	60	270	3
	405.0	112.50	13.2		19.15	22	22KW	76		4.5
	486.0	135.00	10.4		19.38	22		71		5.5
EA200/26 B	229.5	63.75	13.3	1450	14.58	18.5	Y2-180M-4	57	255	3
	382.5	106.25	10.1		15.02	18.5	18.5KW	70		4.5
	459.0	127.50	7.5		15.11	18.5		62		5.5
EA200/32	378.0	105.00	32.1	1450	45.25	55	Y2-280S-4	73	329	3.5
	630.0	175.00	27.9		56.96	75	75KW	84		4
	756.0	210.00	23.6		61.87	75		78.5		4.7
EA200/32 A	361.9	100.53	29.2	1450	39.96	45	Y2-250M-4	72	315	3.5
	603.2	167.55	25.0		50.06	55	55KW	82		4
	723.8	201.06	21.0		53.74	55		77		4.7
EA200/32 B	344.7	95.74	26.7	1450	36.31	45	Y2-250M-4	69	300	3.5
	574.5	159.57	23.2		44.79	55	55KW	81		4
	689.4	191.49	20.0		47.81	55		78.5		4.7
EA200/32 C	327.4	90.96	24.0	1450	31.93	37	Y2-225M-4	67	285	3.5
	545.7	151.60	20.1		37.80	45	45KW	79		4
	654.9	181.91	16.8		39.93	45		75		4.7
EA200/32 D	310.2	86.17	21.5	1450	27.93	37	Y2-225S-4	65	270	3.5
	517.0	143.62	17.7		32.78	37	37KW	76		4
	620.4	172.34	14.6		34.01	37		72.5		4.7
EA200/32 E	293.0	81.38	19.0	1450	24.44	30	Y2-225S-4	62	255	3.5
	488.3	135.64	15.6		28.41	37	37KW	73		4
	586.0	162.77	12.7		28.94	37		70		4.7
EA200/40	391.0	108.60	55.5	1450	80.91	90	Y2-315M1-4	73	409	3.1
	651.6	181.00	49.5		104.53	132	132KW	84		3.9
	781.9	217.20	41.8		112.63	132		79		4.9
EA200/40 A	377.6	104.88	51.7	1450	73.81	90	Y2-315S-4	72	395	3.1
	629.3	174.80	45.7		94.32	110	110KW	83		3.9
	755.2	209.77	38.2		101.98	110		77		4.9
EA200/40 B	363.2	100.90	47.7	1450	66.43	75	Y2-315S-4	71	380	3.1
	605.4	168.17	42.0		83.39	110	110KW	83		3.9
	726.5	201.80	34.7		89.70	110		78.5		4.9
EA200/40 C	348.9	96.92	43.3	1450	58.75	75	Y2-280M-4	70	365	3.1
	581.5	161.53	37.7		72.78	90	90KW	82		3.9
	697.8	193.83	31.0		78.52	90		75		4.9
EA200/40 D	334.6	92.93	39.7	1450	52.40	75	Y2-280S-4	69	350	3.1
	557.6	154.89	34.3		65.08	75	75KW	80		3.9
	669.1	185.87	27.4		69.32	75		72		4.9



EA	Capacity		Head	Speed	Power(kw)		Motor Model	Eff	Impeller Dia.	(NPSH) _r
	m ³ /h	L/s			kw	kw				
EA200/40 E	320.2	88.95	36.4	1450	47.36	55	Y2-280S-4	67	335	3.1
	533.7	148.25	31.0		56.65	75	75KW	79.5		3.9
	640.4	177.90	24.0		60.64	75		69		4.9
EA200/40 F	305.9	84.97	33.4	1450	42.79	55	Y2-280S-4	65	320	3.1
	509.8	141.61	28.2		51.50	75	75KW	76		3.9
	611.8	169.94	21.5		54.25	75		66		4.9
EA200/50	414.7	115.20	88.5	1450	153.71	200	Y2-355M-4	65	525	2
	691.2	192.00	84.0		195.13	250	250KW	81		3.2
	829.4	230.40	80.2		219.50	250		82.5		4
EA200/50 A	395.0	109.71	80.7	1450	133.49	160	Y2-355M-4	65	500	2
	658.3	182.86	76.6		170.52	200	250KW	80.5		3.2
	789.9	219.43	72.8		190.91	250		82		4
EA200/50 B	375.2	104.23	72.6	1450	115.87	132	Y2-315L2-4	64	475	2
	625.4	173.71	69.0		146.83	160	200KW	80		3.2
	750.4	208.46	65.5		163.18	200		82		4
EA200/50 C	355.5	98.74	64.6	1450	100.83	132	Y2-315L1-4	62	450	2
	592.5	164.57	62.0		124.99	160	160KW	80		3.2
	710.9	197.49	59.0		140.97	160		81		4
EA200/50 D	335.7	93.26	57.7	1450	85.05	110	Y2-315M1-4	62	425	2
	559.5	155.43	55.0		106.05	132	132KW	79		3.2
	671.5	186.51	52.0		119.56	132		79.5		4
EA200/50 E	316.0	87.77	50.5	1450	72.40	90	Y2-315S-4	60	400	2
	526.6	146.29	48.3		89.93	110	110KW	77		3.2
	632.0	175.54	45.7		99.52	110		79		4
EA250/32	493.1	136.98	31.2	1450	67.55	75	Y2-280M-4	62	329	4.2
	821.9	228.30	27.0		71.91	90	90KW	84		5.2
	986.3	273.96	24.0		76.71	90		84		5.9
EA250/32 A	472.1	131.15	28.4	1450	59.84	75	Y2-280S-4	61	315	4.2
	786.9	218.59	24.5		62.48	75	75KW	84		5.2
	944.3	262.30	21.0		65.83	75		82		5.9
EA250/32 B	449.7	124.91	25.3	1450	51.62	75	Y2-280S-4	60	300	4.2
	749.4	208.18	21.1		53.14	75	75KW	81		5.2
	899.3	249.81	18.0		55.78	75		79		5.9
EA250/32 C	427.2	118.66	22.1	1450	45.89	55	Y2-250M-4	56	285	4.2
	712.0	197.77	18.0		45.60	55	55KW	76.5		5.2
	854.4	237.32	15.1		46.83	55		75		5.9
EA250/32 D	404.7	112.42	19.0	1450	39.49	45	Y2-225M-4	53	270	4.2
	674.5	187.36	14.8		39.38	45	45KW	69		5.2
	809.4	224.83	12.0		39.46	45		67		5.9
EA250/32 E	382.2	106.17	15.6	1450	31.21	37	Y2-225S-4	52	255	4.2
	637.0	176.95	11.3		30.62	37	37KW	64		5.2
	784.4	212.34	8.8		31.04	37		59		5.9
EA250/40	529.0	146.94	53.8	1450	103.30	132	Y2-315L1-4	75	409	3.5
	881.6	244.90	46.6		127.09	160	160KW	88		4.8
	1058.0	293.88	38.3		136.18	160		81		6.2
EA250/40 A	510.9	141.91	50.6	1450	94.46	110	Y2-315M1-4	74.5	395	3.5
	851.5	236.52	43.4		115.63	132	132KW	87		4.8
	1021.8	283.82	35.6		123.01	132		80.5		6.2
EA250/40 B	491.5	136.52	47.5	1450	85.30	110	Y2-315M1-4	74.5	380	3.5
	819.1	227.54	41.3		105.85	132	132KW	87		4.8
	983.0	273.04	35.0		114.21	132		82		6.2
EA250/40 C	472.1	131.13	43.5	1450	74.54	90	Y2-315S-4	75	365	3.5
	786.8	218.55	36.9		91.90	110	110KW	86		4.8
	944.2	262.26	30.4		97.67	110		80		6.2
EA250/40 D	452.7	125.74	40.0	1450	65.72	75	Y2-315S-4	75	350	3.5
	754.5	209.57	33.3		82.40	110	110KW	83		4.8
	905.4	251.49	27.2		84.86	110		79		6.2
EA250/40 E	433.3	120.35	36.6	1450	58.34	75	Y2-280M-4	74	335	3.5
	722.1	200.59	30.0		72.36	90	90KW	81.5		4.8
	866.6	240.71	23.8		72.91	90		77		6.2
EA250/40 F	414.0	115.00	33.2	1450	52.00	75	Y2-280S-4	72	320	3.5
	690.0	191.60	27.0		63.30	75	75KW	80		4.8
	828.0	230.00	21.2		63.00	75		76		6.2
EA250/50	587.5	163.20	87.5	1450	199.92	250	Y2-355L-4	70	525	2.5
	979.2	272.00	81.5		260.18	315	315KW	83.5		3.7
	1175.0	326.40	75.5		284.12	315		85		4.7



EA	Capacity		Head	Speed	Power(kw)		Motor Model	Eff	Impeller Dia.	(NPSH)r
	m ³ /h	L/s			kw	kw				
EA250/50 A	559.5	155.43	79.8	1450	176.16	200	Y2-355L-4	69	500	2.5
	932.6	259.05	74.5		227.05	250	315KW	83.3		3.7
	1119.1	310.86	69.0		250.24	315		84		4.7
EA250/50 B	531.6	147.66	75.0	1450	157.29	200	Y2-355M-4	69	475	2.5
	885.9	246.10	67.5		195.66	250	250KW	83.2		3.7
	1063.1	295.31	62.7		216.02	250		84		4.7
EA250/50 C	503.6	139.89	65.0	1450	133.00	160	Y2-315L2-4	67	450	2.5
	839.3	233.14	60.5		166.54	200	200KW	83		3.7
	1007.2	279.77	56.0		182.78	200		84		4.7
EA250/50 D	475.6	132.11	58.0	1450	115.53	132	Y2-315L1-4	65	425	2.5
	792.7	220.19	53.6		142.79	160	160KW	81		3.7
	951.2	264.23	49.3		153.81	160		83		4.7
EA250/50 E	447.6	124.34	50.8	1450	119.04	132	Y2-315L1-4	52	400	2.5
	746.1	207.24	46.5		119.54	132	160KW	79		3.7
	895.3	248.69	42.5		129.47	160		80		4.7
EA300/40	702.0	195.00	49.5	1450	137.09	160	Y2-315L2-4	69	409	3
	1170.0	325.00	40.8		149.37	200	200KW	87		3.5
	1404.0	390.00	38.7		170.01	200		87		4.1
EA300/40 A	678.0	188.33	46.2	1450	125.39	160	Y2-315L1-4	68	395	3
	1130.0	313.88	40.6		144.38	160	160KW	86.5		3.5
	1355.9	376.65	35.5		152.37	160		86		4.1
EA300/40 B	652.2	181.17	43.1	1450	115.95	132	Y2-315L1-4	66	380	3
	1087.0	301.96	37.6		131.36	160	160KW	84.7		3.5
	1304.4	362.35	32.1		135.38	160		84.2		4.1
EA300/40 C	626.5	174.02	39.2	1450	104.46	132	Y2-315M1-4	64	365	3
	1044.1	290.04	34.0		115.05	132	132KW	84		3.5
	1253.0	348.04	29.0		119.17	132		83		4.1
EA300/40 D	600.7	166.87	35.8	1450	95.98	110	Y2-315M1-4	61	350	3
	1001.2	278.12	30.8		103.64	132	132KW	81		3.5
	1201.5	333.74	26.0		105.64	132		80.5		4.1
EA300/40 E	575.0	159.72	32.5	1450	89.25	110	Y2-315S-4	57	335	3
	958.3	266.20	27.5		91.97	110	110KW	78		3.5
	1150.0	319.44	22.4		92.27	110		76		4.1
EA300/40 F	549.2	152.57	29.2	1450	80.85	110	Y2-280M-4	54	320	3
	915.4	254.28	24.2		81.49	90	90KW	74		3.5
	1098.5	305.13	19.9		82.65	90		72		4.1



EA60Hz

EA	Capacity		Head m	Speed r/min	Power(kw)		Eff %	Impeller Dia. mm	(NPSH) _r m
	m ³ /h	L/s			Shaft kw	Motor kw			
EA32/13	10.9	3.02	37.9	3500	2.16	3	52	139	1.4
	18.1	5.03	35.0		2.83	4	61		1.7
	21.7	6.04	32.8		3.13	4	62		2.5
EA32/13 A	10.2	2.82	32.0	3500	1.72	2.2	51.5	130	1.4
	16.9	4.71	28.7		2.21	3	60		1.7
	20.3	5.65	26.2		2.40	3	60.5		2.5
EA32/13 B	9.4	2.61	26.2	3500	1.31	2.2	51	120	1.4
	15.6	4.34	23.6		1.72	3	58.5		1.7
	18.8	5.21	21.1		1.86	3	58		2.5
EA32/13 C	8.6	2.39	21.6	3500	1.01	1.5	50	110	1.4
	14.3	3.98	18.9		1.30	2.2	57		1.7
	17.2	4.78	16.6		1.40	2.2	55.5		2.5
EA32/13 D	7.8	2.17	17.0	3500	0.76	1.1	48	100	1.4
	13.0	3.62	14.7		1.00	1.5	52		1.7
	15.6	4.34	12.7		1.04	1.5	52		2.5
EA32/16	13.0	3.62	61.2	3500	4.67	5.5	46.5	174	1.9
	21.7	6.03	56.8		6.00	7.5	56		2.2
	26.1	7.24	53.2		6.65	7.5	56.7		3.7
EA32/16 A	12.4	3.43	53.9	3500	3.99	5.5	45.5	165	1.9
	20.6	5.72	50.4		5.09	7.5	55.5		2.2
	24.7	6.87	46.8		5.59	7.5	56.3		3.7
EA32/16 B	11.6	3.23	47.0	3500	3.38	5.5	44	155	1.9
	19.4	5.38	44.4		4.29	5.5	54.5		2.2
	23.2	6.45	41.8		4.72	5.5	56		3.7
EA32/16 C	10.9	3.02	41.2	3500	2.83	4	43	145	1.9
	18.1	5.03	38.6		3.59	5.5	53		2.2
	21.7	6.03	36.4		3.95	5.5	54.5		3.7
EA32/16 D	10.1	2.81	35.8	3500	2.47	3	40	135	1.9
	16.9	4.68	33.1		2.97	4	51		2.2
	20.2	5.62	31.2		3.27	4	52.5		3.7
EA32/16 E	9.4	2.60	29.9	3500	1.95	3	39	125	1.9
	15.6	4.34	28.0		2.45	4	48.5		2.2
	18.7	5.20	26.2		2.62	4	51		3.7
EA32/20	13.0	3.62	93.5	3500	8.51	11	39	214	1.7
	21.7	6.03	85.2		10.41	15	48.4		2
	26.1	7.24	78.8		11.58	15	48.3		2.3
EA32/20 A	12.5	3.47	84.9	3500	7.48	11	38.6	205	1.6
	20.8	5.78	77.2		9.07	15	48.2		1.95
	25.0	6.94	70.4		9.94	15	48.1		2.2
EA32/20 B	11.9	3.30	76.0	3500	6.37	7.5	38.6	195	1.6
	19.8	5.50	69.5		7.88	11	47.5		1.95
	23.8	6.60	62.9		8.66	11	47		2.2
EA32/20 C	11.3	3.13	68.8	3500	5.70	7.5	37	185	1.6
	18.8	5.22	61.9		6.81	11	46.5		1.95
	22.5	6.26	55.6		7.42	11	46		2.2
EA32/20 D	10.7	2.96	61.5	3500	4.96	7.5	36	175	1.6
	17.8	4.93	55.4		5.95	7.5	45		1.95
	21.3	5.92	49.8		6.54	7.5	44.2		2.2
EA32/20 E	10.0	2.79	54.7	3500	4.21	5.5	35.5	165	1.6
	16.7	4.65	49.2		5.22	7.5	43		1.95
	20.1	5.58	44.3		5.58	7.5	43.4		2.2
EA32/26	19.6	5.43	130.1	3500	20.67	30	33.5	264	2.1
	32.6	9.05	119.4		25.53	30	41.5		2.6
	39.1	10.86	109.7		28.62	30	40.8		3.1



EA	Capacity		Head	Speed	Power(kw)		Eff	Impeller Dia.	(NPSH)r
	m ³ /h	L/s			kw	kw			
Model	m ³ /h	L/s	m	r/min	kw	kw	%	mm	m
EA32/26 A	18.9	5.25	121.8	3500	18.97	22	33	255	2.1
	31.5	8.74	110.7		23.54	30	40.3		2.6
	37.8	10.49	102.7		26.07	30	40.5		3.1
EA32/26 B	18.1	5.04	112.9	3500	17.99	22	31	245	2.1
	30.2	8.40	102.3		21.31	30	39.5		2.6
	36.3	10.08	94.7		23.27	30	40.2		3.1
EA32/26 C	17.4	4.83	104.9	3500	16.03	18.5	31	235	2.1
	29.0	8.06	94.7		19.17	22	39		2.6
	34.8	9.67	87.1		20.63	22	40		3.1
EA32/26 D	16.7	4.63	96.1	3500	14.30	18.5	30.5	225	2.1
	27.8	7.71	86.8		17.50	22	37.5		2.6
	33.3	9.26	79.8		19.06	22	38		3.1
EA32/26 E	15.9	4.42	88.6	3500	12.80	15	30	215	2.1
	26.5	7.37	80.1		15.99	18.5	36.2		2.6
	31.8	8.85	74.3		17.41	22	37		3.1
EA32/26 F	15.2	4.22	84.5	3500	12.25	15	28.5	205	2.1
	25.3	7.03	74.0		14.77	18.5	34.5		2.6
	30.4	8.43	67.3		15.89	18.5	35		3.1
EA40/13	21.7	6.03	36.9	3500	3.57	5.5	61	139	1.8
	36.2	10.05	34.2		4.62	7.5	73		2
	43.4	12.06	31.8		5.11	7.5	73.5		3
EA40/13 A	20.3	5.64	32.0	3500	2.86	4	62	130	1.8
	33.8	9.40	29.4		3.70	5.5	73.2		2
	40.6	11.28	26.9		4.07	5.5	73.2		3
EA40/13 B	18.7	5.21	26.9	3500	2.25	4	61	120	1.8
	31.2	8.68	24.8		2.89	4	73		2
	37.5	10.42	22.3		3.12	4	73		3
EA40/13 C	17.2	4.77	22.6	3500	1.77	2.2	60	110	1.8
	28.6	7.96	20.0		2.16	3	72		2
	34.4	9.55	17.8		2.31	3	72		3
EA40/13 D	15.6	4.34	18.2	3500	1.34	2.2	58	100	1.8
	26.0	7.23	16.0		1.62	2.2	70		2
	31.2	8.68	13.8		1.71	2.2	69		3
EA40/16	21.7	6.03	57.5	3500	5.97	7.5	57	174	1.5
	36.2	10.05	51.0		7.85	11	64		2.2
	43.4	12.06	45.9		8.82	11	61.5		3.3
EA40/16 A	20.6	5.72	50.7	3500	5.07	7.5	56	165	1.5
	34.3	9.53	44.4		6.57	11	63.2		2.2
	41.2	11.44	40.2		7.39	11	61		3.3
EA40/16 B	19.3	5.37	44.4	3500	4.25	5.5	55	155	1.5
	32.2	8.96	38.6		5.54	7.5	61.2		2.2
	38.7	10.75	34.1		6.08	7.5	59		3.3
EA40/16 C	18.1	5.03	38.9	3500	3.61	5.5	53	145	1.5
	30.2	8.38	32.8		4.60	5.5	58.5		2.2
	36.2	10.05	28.4		5.00	7.5	56		3.3
EA40/16 D	16.8	4.68	33.7	3500	3.09	4	50	135	1.5
	28.1	7.80	28.4		3.81	5.5	57		2.2
	33.7	9.36	24.0		4.01	5.5	55		3.3
EA40/16 E	15.6	4.33	28.4	3500	2.51	4	48	125	1.5
	26.0	7.22	23.3		3.00	4	55		2.2
	31.2	8.67	19.7		3.27	4	51		3.3
EA40/20	21.7	6.03	89.6	3500	11.03	15	48	214	1.8
	36.2	10.05	82.3		13.98	18.5	58		2
	43.4	12.06	77.2		15.60	18.5	58.5		2.7
EA40/20 A	20.8	5.78	80.7	3500	9.52	11	48	205	1.8
	34.7	9.63	74.3		12.19	15	57.5		2
	41.6	11.56	68.9		13.45	18.5	58		2.7
EA40/20 B	19.8	5.50	72.1	3500	8.26	11	47	195	1.8
	33.0	9.16	69.2		10.99	15	56.5		2
	39.6	10.99	61.2		11.56	15	57		2.7



EA	Capacity		Head	Speed	Power(kw)		Eff	Impeller Dia.	(NPSH)r
	m ³ /h	L/s			Shaft	Motor			
Model	m ³ /h	L/s	m	r/min	kw	kw	%	mm	m
EA40/20 C	18.8	5.21	64.9	3500	7.21	11	46	185	1.8
	31.3	8.69	59.0		9.05	11	55.5		2
	37.5	10.43	53.2		9.88	11	55		2.7
EA40/20 D	17.8	4.93	58.1	3500	6.24	7.5	45	175	1.8
	29.6	8.22	52.4		7.82	11	54		2
	35.5	9.87	46.9		8.48	11	53.5		2.7
EA40/20 E	16.7	4.65	51.6	3500	5.29	7.5	44.5	165	1.8
	27.9	7.75	45.9		6.70	11	52		2
	33.5	9.30	41.1		7.27	11	51.5		2.7
EA40/26H	26.1	7.24	135.5	3500	24.03	30	40	264	1.8
	43.4	12.07	126.0		29.22	37	51		2
	52.1	14.48	118.7		31.79	37	53		2.5
EA40/26H A	25.2	6.99	125.3	3500	21.47	30	40	255	1.8
	42.0	11.66	116.5		26.47	30	50.3		2
	50.4	13.99	108.5		28.45	37	52.3		2.5
EA40/26H B	24.2	6.72	114.1	3500	19.26	22	39	245	1.8
	40.3	11.20	104.9		23.02	30	50		2.0
	48.4	13.44	96.1		24.83	30	51		2.5
EA40/26 C	23.2	6.45	103.4	3500	17.19	22	38	235	1.8
	38.7	10.74	96.5		20.94	30	48.5		2
	46.4	12.89	88.4		22.35	30	50		2.5
EA40/26 D	22.2	6.17	94.8	3500	15.09	18.5	38	225	1.8
	37.0	10.29	87.7		18.41	22	48		2
	44.4	12.34	81.1		20.22	30	48.5		2.5
EA40/26 E	21.2	5.90	86.6	3500	13.34	18.5	37.5	215	1.8
	35.4	9.83	79.1		16.21	22	47		2
	42.5	11.79	74.0		18.02	22	47.5		2.5
EA40/26 F	20.2	5.62	78.7	3500	11.56	15	37.5	205	1.8
	33.7	9.37	72.1		14.40	18.5	46		2
	40.5	11.25	66.3		15.71	18.5	46.5		2.5
EA50/13	43.5	12.07	37.9	3500	6.84	11	65.5	139	1.95
	72.4	20.12	33.5		8.47	11	78		2.5
	86.9	24.14	29.9		9.42	11	75		3.3
EA50/13 A	40.6	11.29	32.0	3500	5.50	7.5	64.5	130	1.95
	67.7	18.82	27.1		6.66	11	75		2.5
	81.3	22.58	23.5		7.21	11	72		3.3
EA50/13 B	37.5	10.42	26.7	3500	4.32	5.5	63	120	1.95
	62.5	17.37	21.8		5.17	7.5	72		2.5
	75.0	20.84	17.9		5.38	7.5	68		3.3
EA50/13 C	34.4	9.55	21.8	3500	3.30	5.5	62	110	1.95
	57.3	15.92	16.9		3.82	5.5	69		2.5
	68.8	19.11	14.0		4.06	5.5	64.5		3.3
EA50/16	47.1	13.07	61.6	3500	12.24	15	64.5	174	1.8
	78.4	21.78	55.4		15.76	18.5	75		2.8
	94.1	26.14	49.2		17.76	22	71		3.2
EA50/16 A	44.6	12.39	54.6	3500	10.53	15	63	165	1.8
	74.4	20.66	48.4		13.50	18.5	72.5		2.8
	89.2	24.79	43.0		15.35	18.5	68		3.2
EA50/16 B	41.9	11.64	48.5	3500	9.22	11	60	155	1.8
	69.9	19.41	42.5		11.72	15	69		2.8
	83.8	23.29	37.6		12.80	15	67		3.2
EA50/16 C	39.2	10.89	41.8	3500	7.56	11	59	145	1.8
	65.4	18.15	36.4		9.60	15	67.5		2.8
	78.4	21.78	32.2		10.57	15	65		3.2
EA50/16 D	36.5	10.14	35.7	3500	6.11	7.5	58	135	1.8
	60.8	16.90	30.3		7.84	11	64		2.8
	73.0	20.28	26.7		8.55	11	62		3.2
EA50/16 E	33.8	9.39	29.9	3500	5.18	7.5	53	125	1.8
	56.3	15.65	24.5		6.05	7.5	62		2.8
	67.6	18.78	20.7		6.40	7.5	59.5		3.2



EA	Capacity		Head m	Speed r/min	Power(kw)		Eff %	Impeller Dia. mm	(NPSH)r m
	m ³ /h	L/s			Shaft kw	Motor kw			
Model	m ³ /h	L/s	m	r/min	kw	kw	%	mm	m
EA50/20	43.5	12.07	90.3	3500	18.42	22	58	214	2.2
	72.4	20.12	81.6		22.98	30	70		3.2
	86.9	24.14	74.3		25.85	30	68		4
EA50/20 A	41.6	11.56	82.0	3500	15.49	18.5	60	205	2.2
	69.4	19.27	73.3		20.26	30	68.3		3.2
	83.3	23.13	65.1		22.53	30	65.5		4
EA50/20 B	39.6	11.00	74.7	3500	13.65	18.5	59	195	2.2
	66.0	18.33	65.1		17.59	22	66.5		3.2
	79.2	22.00	58.3		19.63	22	64		4
EA50/20 C	37.6	10.44	67.3	3500	11.86	15	58	185	2.2
	62.6	17.39	58.6		15.25	18.5	65.5		3.2
	75.1	20.87	51.6		17.01	18.5	62		4
EA50/20 D	35.5	9.87	60.2	3500	10.30	15	56.5	175	2.2
	59.2	16.45	52.7		13.28	15	64		3.2
	71.1	19.74	45.7		15.13	18.5	58.5		4
EA50/20 E	33.5	9.31	53.5	3500	9.04	11	54	165	2.2
	55.8	15.51	46.9		11.88	15	60		3.2
	67.0	18.61	40.1		13.05	15	56		4
EA65/13	72.4	20.12	35.7	3500	10.35	15	68	139	3
	120.7	33.53	29.9		12.42	15	79		3.75
	144.8	40.23	25.1		13.00	15	76		4.2
EA65/13 A	67.7	18.81	30.0	3500	8.14	11	68	130	3
	112.9	31.36	23.6		9.47	11	76.6		3.75
	135.5	37.63	18.9		9.83	11	71		4.2
EA65/13 B	62.5	17.37	25.1	3500	6.46	7.5	66	120	3
	104.2	28.94	19.2		7.47	11	73		3.75
	125.0	34.73	14.9		7.55	11	67		4.2
EA65/16	72.4	20.12	57.8	3500	17.27	22	66	174	2.7
	120.7	33.53	49.5		21.70	30	75		3.5
	144.8	40.23	43.1		23.13	30	73.5		4.1
EA65/16 A	68.7	19.08	52.4	3500	14.63	18.5	67	165	2.7
	114.5	31.79	43.7		18.40	22	74		3.5
	137.3	38.15	37.6		19.38	22	72.5		4.1
EA65/16 B	64.5	17.92	46.6	3500	12.59	15	65	155	2.7
	107.5	29.87	38.2		15.39	18.5	72.6		3.5
	129.0	35.84	31.8		15.93	18.5	70		4.1
EA65/16 C	60.3	16.76	40.8	3500	10.64	15	63	145	2.7
	100.6	27.94	32.3		12.47	15	71		3.5
	120.7	33.53	26.5		12.72	15	68.5		4.1
EA65/16 D	56.2	15.61	35.2	3500	8.84	11	61	135	2.7
	93.6	26.01	28.0		10.36	15	69		3.5
	112.4	31.22	22.6		10.63	15	65		4.1
EA65/16 E	52.0	14.45	30.2	3500	7.13	11	60	125	2.7
	86.7	24.09	23.3		8.21	11	67		3.5
	104.1	28.90	18.6		8.38	11	63		4.1
EA65/20H	72.6	20.16	77.1	3500	25.37	30	60	195	2.4
EA65/20G	120.9	33.60	67.0		30.43	37	72.5		3.7
EA65/20G B	145.1	40.32	60.3		33.09	37	72		5.2
EA65/20H	68.8	19.12	69.3	3500	21.66	30	60	185	2.4
EA65/20G	114.7	31.87	60.3		26.16	30	72		3.7
EA65/20G C	137.7	38.25	54.3		28.45	37	71.5		5.2
EA65/20H	65.1	18.09	61.2	3500	18.38	22	59	175	2.4
EA65/20G	108.5	30.15	53.3		22.19	30	71		3.7
EA65/20G D	130.3	36.18	47.6		23.96	30	70.5		5.2
EA65/20H	61.4	17.06	53.6	3500	15.72	18.5	57	165	2.4
EA65/20G	102.3	28.43	46.6		18.55	22	70		3.7
EA65/20G E	122.8	34.11	40.8		20.05	30	68		5.2
EA65/26	86.9	24.14	142.7	3500	53.59	75	63	264	2.4
	144.8	40.23	130.9		70.23	90	73.5		4.2
	173.8	48.27	119.9		79.31	90	71.5		5.8



EA	Capacity		Head	Speed	Power(kw)		Eff	Impeller Dia.	(NPSH)r
	m ³ /h	L/s			kw	kw			
Model	m ³ /h	L/s	m	r/min	kw	kw	%	mm	m
EA65/26 A	83.9	23.31	132.6	3500	48.84	55	62	255	2.4
	139.9	38.85	120.9		63.06	75	73		4.2
	167.9	46.63	110.7		71.24	90	71		5.8
EA65/26 B	80.6	22.40	123.1	3500	44.29	55	61	245	2.4
	134.4	37.33	112.2		56.60	75	72.5		4.2
	161.3	44.80	102.0		63.05	75	71		5.8
EA65/26 C	77.3	21.48	114.3	3500	40.80	55	59	235	2.4
	128.9	35.81	103.4		50.76	75	71.5		4.2
	154.7	42.97	93.2		55.68	75	70.5		5.8
EA65/26 D	74.1	20.57	105.6	3500	36.70	45	58	225	2.4
	123.4	34.28	94.7		45.06	55	70.6		4.2
	148.1	41.14	85.9		49.50	55	70		5.8
EA65/26 E	70.8	19.66	96.4	3500	32.30	37	57.5	215	2.4
	117.9	32.76	86.5		40.52	55	68.5		4.2
	141.5	39.31	74.0		43.86	55	65		5.8
EA65/26 F	67.5	18.74	85.9	3500	28.70	37	55	205	2.4
	112.4	31.24	76.6		35.81	45	65.5		4.2
	134.9	37.48	69.9		39.51	45	65		5.8
EA80/16	117.3	32.59	58.7	3500	26.78	37	70	174	2.7
	195.5	54.31	50.5		33.63	45	80		3.8
	234.6	65.17	42.7		36.84	45	74		5
EA80/16 A	111.2	30.90	50.7	3500	22.74	30	67.5	165	2.7
	185.4	51.50	42.4		28.15	37	76		3.8
	222.5	61.80	35.2		30.94	37	69		5
EA80/16 B	104.5	29.03	44.7	3500	20.19	30	63	155	2.7
	174.2	48.38	36.0		23.05	30	74		3.8
	209.0	58.06	29.3		25.24	30	66		5
EA80/16 C	97.8	27.16	39.1	3500	16.80	22	62	145	2.7
	162.9	45.26	31.5		19.40	22	72		3.8
	195.5	54.31	25.3		21.08	30	64		5
EA80/16 D	91.0	25.28	33.2	3500	14.19	18.5	58	135	2.7
	151.7	42.14	26.5		16.59	18.5	66		3.8
	182.0	50.56	21.0		17.32	18.5	60		5
EA80/20	137.6	38.22	88.1	3500	49.27	55	67	214	3.1
	229.3	63.70	76.8		61.59	75	77.8		4.8
	275.2	76.44	67.0		68.29	75	73.5		5.8
EA80/20 A	131.8	36.61	80.3	3500	44.30	55	65	205	4
	219.7	61.02	69.8		54.12	75	77.1		4.9
	263.6	73.23	60.4		59.83	75	72.5		5.85
EA80/20 B	125.4	34.83	72.2	3500	39.77	45	62	195	4
	209.0	58.04	63.5		47.53	55	76		4.7
	250.8	69.65	54.8		51.92	55	72		5.5
EA80/20 C	118.9	33.04	63.8	3500	33.32	37	62	185	4
	198.2	55.07	54.2		39.52	45	74		4.7
	237.9	66.08	46.3		43.47	45	69		5.5
EA80/20 D	112.5	31.25	57.1	3500	26.49	37	66	175	4
	187.5	52.09	48.5		32.57	37	76		4.7
	225.0	62.51	41.4		33.85	37	75		5.5
EA80/20 E	106.1	29.47	50.7	3500	22.38	30	65.5	165	4
	176.8	49.11	43.1		27.48	30	75.5		4.7
	212.2	58.94	36.8		28.57	30	74.5		5.5
EA80/26H	137.6	38.22	138.4	3500	79.13	90	65.5	264	2.6
	229.3	63.70	121.6		101.24	132	75		4.2
	275.2	76.44	107.8		112.15	132	72		5.8
EA80/26H A	132.9	36.92	127.5	3500	70.94	90	65	255	3.95
	221.5	61.53	111.4		90.19	110	74.5		5.2
	265.8	73.83	100.5		99.35	110	73.2		6.25
EA80/26H B	127.7	35.47	116.7	3500	63.37	75	64	245	3.9
	212.8	59.12	102.0		79.82	90	74		5
	255.4	70.94	90.3		88.05	110	71.3		6



EA	Capacity		Head	Speed	Power(kw)		Eff	Impeller Dia.	(NPSH)r
	m ³ /h	L/s			Shaft	Motor			
Model	m ³ /h	L/s	m	r/min	kw	kw	%	mm	m
EA80/26H C	122.5	34.02	106.8	3500	56.50	75	63	235	3.9
	204.1	56.70	91.8		69.76	90	73.1		5
	245.0	68.04	80.3		75.38	90	71		6
EA80/26 D	117.3	32.57	96.9	3500	49.87	55	62	225	3.9
	195.4	54.29	83.0		61.10	75	72.3		5
	234.5	65.15	72.2		65.43	75	70.5		6
EA80/26 E	112.1	31.13	87.5	3500	43.78	55	61	215	3.9
	186.8	51.88	73.3		52.83	75	70.5		5
	224.1	62.25	64.8		56.49	75	70		6
EA80/26 F	106.8	29.68	78.7	3500	38.45	45	59.5	205	3.9
	178.1	49.46	65.7		45.49	55	70		5
	213.7	59.36	58.0		48.52	55	69.5		6
EA100/16	182.5	50.69	50.3	3500	36.98	45	67.5	176	4
	304.1	84.48	38.9		42.09	55	76.5		4.6
	365.0	101.38	30.3		42.40	55	71		6.1
EA100/16 A	171.1	47.52	43.7	3500	30.60	37	66.5	165	4.9
	285.1	79.20	33.5		34.67	45	75		4.9
	342.2	95.04	25.8		35.31	45	68		5.4
EA100/16 B	160.7	44.64	37.6	3500	25.29	30	65	155	4.8
	267.8	74.40	28.0		26.32	37	72		4.8
	321.4	89.28	21.3		28.41	37	65.5		5.3
EA100/16 C	150.3	41.76	33.2	3500	21.24	30	64	145	4.7
	250.6	69.60	23.6		22.99	30	70		4.7
	300.7	83.52	17.5		23.08	30	62		5.2
EA100/20	206.4	57.33	85.5	3500	68.63	75	70	214	3.9
	344.0	95.55	73.0		85.42	110	80		5.8
	412.8	114.66	61.2		92.27	110	74.5		6.9
EA100/20 A	197.7	54.92	77.5	3500	60.44	75	69	205	3.9
	329.5	91.53	64.5		73.27	90	79		5.8
	395.4	109.84	53.9		78.93	90	73.5		6.9
EA100/20 B	188.1	52.24	68.5	3500	51.54	75	68	195	3.9
	313.4	87.07	56.4		62.47	75	77		5.8
	376.1	104.48	45.9		66.64	75	70.5		6.9
EA100/20 C	178.4	49.56	61.2	3500	45.02	55	66	185	3.9
	297.4	82.60	48.1		52.94	75	73.5		5.8
	356.8	99.12	38.3		55.13	75	67.5		6.9
EA100/20 D	168.8	46.88	54.2	3500	39.52	45	63	175	3.9
	281.3	78.14	41.8		45.73	55	70		5.8
	337.6	93.76	31.8		45.59	55	64		6.9
EA100/20 E	159.1	44.20	46.6	3500	33.94	45	59.5	165	3.9
	265.2	73.67	35.0		37.39	45	67.5		5.8
	318.3	88.41	26.2		37.86	45	60		6.9
EA32/13	4.3	1.46	9.8	1750	0.25	0.55	47	139	1.7
	7.2	2.43	9.0		0.31	0.55	58		2
	8.7	2.91	8.4		0.34	0.55	59		2.1
EA32/13 A	4.1	1.36	8.3	1750	0.20	0.55	46	130	1.7
	6.8	2.27	7.6		0.25	0.55	56.5		2
	8.1	2.72	7.0		0.27	0.55	58		2.1
EA32/13 B	3.7	1.26	6.8	1750	0.16	0.55	45	120	1.7
	6.2	2.09	6.1		0.19	0.55	55		2
	7.5	2.51	5.7		0.21	0.55	56		2.1
EA32/13 C	3.4	1.15	5.8	1750	0.12	0.55	45	110	1.7
	5.7	1.92	5.1		0.15	0.55	54		2
	6.9	2.30	4.5		0.16	0.55	54		2.1
EA32/13 D	3.1	1.05	4.5	1750	0.09	0.55	44	100	1.7
	5.2	1.75	3.9		0.11	0.55	51		2
	6.2	2.09	3.4		0.11	0.55	52		2.1
EA32/16	5.2	1.75	15.4	1750	0.46	0.75	47.5	174	1.8
	8.7	2.91	14.7		0.63	1.1	55		2
	10.4	3.49	13.8		0.70	1.1	56		2.2



EA	Capacity		Head	Speed	Power(kw)		Eff	Impeller Dia.	(NPSH)r
	m ³ /h	L/s			kw	kw			
Model			m	r/min	kw	kw	%	mm	m
EA32/16 A	4.9	1.65	13.9	1750	0.41	0.55	45	165	1.8
	8.2	2.76	13.1		0.53	0.75	55		2
	9.9	3.31	12.4		0.60	0.75	55.5		2.2
EA32/16 B	4.6	1.55	12.3	1750	0.35	0.55	44	155	1.8
	7.7	2.59	11.4		0.45	0.75	53.5		2
	9.3	3.11	10.6		0.50	0.75	54		2.2
EA32/16 C	4.3	1.45	10.7	1750	0.30	0.55	42	145	1.8
	7.2	2.42	9.9		0.38	0.55	51.5		2
	8.7	2.91	9.3		0.42	0.55	52		2.2
EA32/16 D	4.0	1.35	9.3	1750	0.25	0.55	41.5	135	1.8
	6.7	2.26	8.6		0.32	0.55	49.5		2
	8.1	2.71	8.1		0.35	0.55	50		2.2
EA32/16 E	3.7	1.25	8.0	1750	0.20	0.55	40	125	1.8
	6.2	2.09	7.4		0.27	0.55	47		2
	7.5	2.51	6.9		0.29	0.55	49		2.2
EA32/20	5.2	1.75	23.3	1750	0.89	1.1	37	214	1.9
	8.7	2.91	21.4		1.09	1.5	46.5		2
	10.4	3.49	19.8		1.18	1.5	47.5		2.3
EA32/20 A	5.0	1.67	21.3	1750	0.80	1.1	36	205	1.9
	8.3	2.79	19.2		0.95	1.5	46		2
	10.0	3.34	17.6		1.03	1.5	46.5		2.3
EA32/20 B	4.7	1.59	19.2	1750	0.72	1.1	34.5	195	1.9
	7.9	2.65	17.4		0.83	1.1	45		2
	9.5	3.18	15.9		0.92	1.5	45		2.3
EA32/20 C	4.5	1.51	17.3	1750	0.62	0.75	34	185	1.9
	7.5	2.51	15.7		0.80	1.1	40		2
	9.0	3.02	14.4		0.79	1.1	44.5		2.3
EA32/20 D	4.3	1.43	15.5	1750	0.54	0.75	33.5	175	1.9
	7.1	2.38	14.0		0.64	1.1	42		2
	8.5	2.85	12.8		0.71	1.1	42		2.3
EA32/20 E	4.0	1.35	13.8	1750	0.46	0.75	33	165	1.9
	6.7	2.24	12.5		0.57	1.1	40		2
	8.0	2.69	11.4		0.62	1.1	40		2.3
EA32/26	6.6	2.21	34.5	1750	2.06	3	30	264	1.8
	11.0	3.68	32.6		2.57	3	38		2.1
	13.2	4.42	31.2		2.80	4	40		2.4
EA32/26 A	6.4	2.13	31.8	1750	1.83	3	30	255	1.8
	10.6	3.56	30.4		2.38	4	37		2.1
	12.7	4.27	29.0		2.54	4	39.5		2.4
EA32/26 B	6.1	2.05	29.4	1750	1.69	3	29	245	1.8
	10.2	3.42	28.1		2.11	3	37		2.1
	12.2	4.10	26.9		2.30	3	39		2.4
EA32/26 C	5.9	1.97	27.1	1750	1.52	2.2	28.5	235	1.8
	9.8	3.28	25.9		1.92	3	36		2.1
	11.7	3.93	24.8		2.08	3	38		2.4
EA32/26 D	5.6	1.88	24.9	1750	1.36	2.2	28	225	1.8
	9.4	3.14	23.8		1.73	3	35		2.1
	11.2	3.76	22.9		1.89	3	37		2.4
EA32/26 E	5.4	1.80	23.2	1750	1.23	2.2	27.5	215	1.8
	8.9	3.00	22.0		1.57	2.2	34		2.1
	10.7	3.60	21.1		1.71	2.2	36		2.4
EA32/26 F	5.1	1.72	21.6	1750	1.13	1.5	26.5	205	1.8
	8.5	2.86	20.4		1.43	2.2	33		2.1
	10.2	3.43	19.4		1.54	2.2	35		2.4
EA40/13	8.7	2.92	9.3	1750	0.37	0.55	59	139	1.8
	14.5	4.86	8.7		0.49	0.75	71		2
	17.4	5.84	8.2		0.54	0.75	72		2.4
EA40/13 A	8.1	2.73	8.2	1750	0.31	0.55	58	130	1.8
	13.6	4.55	7.6		0.40	0.55	71		2
	16.3	5.46	7.0		0.44	0.75	71		2.4



EA	Capacity		Head	Speed	Power(kw)		Eff	Impeller Dia.	(NPSH)r
	m ³ /h	L/s			kw	Motor			
Model	m ³ /h	L/s	m	r/min	kw	kw	%	mm	m
EA40/13 B	7.5	2.52	6.9	1750	0.25	0.55	56	120	1.8
	12.5	4.20	6.3		0.31	0.55	69		2
	15.0	5.04	5.7		0.34	0.55	68.5		2.4
EA40/13 C	6.9	2.31	5.8	1750	0.21	0.55	51	110	1.8
	11.5	3.85	5.3		0.26	0.55	64		2
	13.8	4.62	4.8		0.28	0.55	63.5		2.4
EA40/13 D	6.3	2.10	4.8	1750	0.16	0.55	50.5	100	1.8
	10.4	3.50	4.3		0.21	0.55	58		2
	12.5	4.20	3.8		0.22	0.55	58		2.4
EA40/16	8.7	2.92	14.6	1750	0.59	0.75	59	174	1.8
	14.5	4.86	13.1		0.82	1.1	63		2
	17.4	5.84	11.8		0.91	1.5	61.5		2.4
EA40/16 A	8.3	2.77	13.0	1750	0.51	0.75	57	165	1.8
	13.8	4.61	11.7		0.70	1.1	62		2
	16.5	5.53	10.5		0.79	1.1	60		2.4
EA40/16 B	7.8	2.60	11.4	1750	0.43	0.75	56	155	1.8
	12.9	4.33	10.2		0.60	1.1	60		2
	15.5	5.20	9.2		0.67	1.1	58		2.4
EA40/16 C	7.3	2.43	10.2	1750	0.40	0.55	50	145	1.8
	12.1	4.05	8.7		0.50	0.75	57		2
	14.5	4.86	7.9		0.56	0.75	55		2.4
EA40/16 D	6.8	2.26	8.7	1750	0.33	0.55	48.5	135	1.8
	11.3	3.77	7.6		0.44	0.75	53		2
	13.5	4.53	6.4		0.47	0.75	50		2.4
EA40/16 E	6.3	2.10	7.5	1750	0.30	0.55	43	125	1.8
	10.4	3.49	6.3		0.36	0.55	49		2
	12.5	4.19	5.2		0.40	0.55	45		2.4
EA40/20	8.7	2.92	22.6	1750	1.11	1.5	48	214	1.8
	14.5	4.86	20.8		1.44	2.2	57		2.2
	17.4	5.84	19.2		1.58	2.2	57.5		2.5
EA40/20 A	8.3	2.80	20.4	1750	0.96	1.5	48	205	1.8
	13.9	4.66	18.9		1.28	2.2	56		2.2
	16.7	5.59	17.5		1.39	2.2	57		2.5
EA40/20 B	7.9	2.66	18.5	1750	0.87	1.1	46	195	1.8
	13.2	4.43	16.9		1.11	1.5	55		2.2
	15.9	5.32	15.7		1.22	2.2	55.5		2.5
EA40/20 C	7.5	2.52	16.3	1750	0.73	1.1	45.5	185	1.8
	12.5	4.20	15.2		0.96	1.5	54		2.2
	15.1	5.05	14.0		1.05	1.5	54.5		2.5
EA40/20 D	7.1	2.39	14.6	1750	0.64	1.1	44	175	1.8
	11.9	3.98	13.4		0.82	1.1	53		2.2
	14.2	4.77	12.2		0.89	1.1	53.5		2.5
EA40/20 E	6.7	2.25	13.1	1750	0.55	0.75	43.5	165	1.8
	11.2	3.75	11.7		0.70	1.1	50.5		2.2
	13.4	4.50	10.6		0.76	1.1	51		2.5
EA40/26	9.6	3.22	35.0	1750	2.40	3	38	264	1.8
	16.0	5.36	33.1		2.94	4	49		1.9
	19.2	6.43	31.6		3.24	4	51		2.2
EA40/26 A	9.3	3.11	32.0	1750	2.18	3	37	255	1.8
	15.4	5.18	30.2		2.67	4	47.5		1.9
	18.5	6.21	28.5		2.88	4	50		2.2
EA40/26 B	8.9	2.98	29.6	1750	1.99	3	36	245	1.8
	14.8	4.97	27.5		2.39	3	46.5		1.9
	17.8	5.97	26.2		2.57	4	49.5		2.2
EA40/26 C	8.5	2.86	26.8	1750	1.83	3	34	235	1.8
	14.2	4.77	25.2		2.15	3	45.5		1.9
	17.1	5.72	23.9		2.29	3	48.5		2.2
EA40/26 D	8.2	2.74	24.5	1750	1.65	2.2	33	225	1.8
	13.6	4.57	22.9		1.88	3	45		1.9
	16.3	5.48	21.9		2.07	3	47		2.2



EA	Capacity		Head m	Speed r/min	Power(kw)		Eff %	Impeller Dia. mm	(NPSH)r m
	m ³ /h	L/s			Shaft kw	Motor kw			
Model	m ³ /h	L/s	m	r/min	kw	kw	%	mm	m
EA40/26 E	7.8	2.62	22.1	1750	1.47	2.2	32	215	1.8
	13.0	4.36	20.7		1.67	2.2	44		1.9
	15.6	5.24	19.7		1.80	3	46.5		2.2
EA40/26 F	7.4	2.50	20.0	1750	1.35	2.2	30	205	1.8
	12.4	4.16	18.8		1.51	2.2	42		1.9
	14.9	4.99	17.8		1.60	2.2	45		2.2
EA40/32	10.8	3.62	54.6	1750	5.18	7.5	31	329	2.1
	18.0	6.03	51.9		6.35	11	40		2.3
	21.6	7.24	49.2		6.89	11	42		2.5
EA40/32 A	10.3	3.47	49.4	1750	4.56	5.5	30.5	315	2.1
	17.2	5.78	46.6		5.47	7.5	40		2.3
	20.7	6.93	44.4		5.96	7.5	42		2.5
EA40/32 B	9.8	3.30	44.6	1750	3.98	5.5	30	300	2.1
	16.4	5.50	42.2		4.84	5.5	39		2.3
	19.7	6.60	40.2		5.26	7.5	41		2.5
EA40/32 C	9.4	3.14	40.5	1750	3.44	5.5	30	285	2.1
	15.6	5.23	37.9		4.29	5.5	37.5		2.3
	18.7	6.27	35.5		4.53	5.5	40		2.5
EA40/32 D	8.9	2.97	35.4	1750	2.89	4	29.5	270	2.1
	14.8	4.95	33.8		3.67	5.5	37		2.3
	17.7	5.94	31.3		3.87	5.5	39		2.5
EA40/32 E	8.4	2.81	32.0	1750	2.81	4	26	255	2.1
	14.0	4.68	29.6		3.21	4	35		2.3
	16.7	5.61	28.5		3.52	5.5	37		2.5
EA50/13	17.4	5.82	9.9	1750	0.79	1.1	59	139	2.2
	28.9	9.70	9.2		1.00	1.5	72		2.4
	34.7	11.64	8.4		1.09	1.5	73		2.7
EA50/13 A	16.2	5.45	8.4	1750	0.64	1.1	58.5	130	2.2
	27.1	9.08	7.6		0.78	1.1	72		2.4
	32.5	10.89	6.8		0.84	1.1	72		2.7
EA50/13 B	15.0	5.03	7.2	1750	0.47	0.75	62	120	2.2
	25.0	8.38	6.5		0.62	1.1	71		2.4
	30.0	10.05	5.5		0.65	1.1	69		2.7
EA50/13 C	13.7	4.61	6.0	1750	0.37	0.55	61	110	2.2
	22.9	7.68	5.0		0.46	0.75	67		2.4
	27.5	9.21	4.1		0.48	0.75	64		2.7
EA50/16	18.5	6.21	15.3	1750	1.19	1.5	65	174	2.1
	30.9	10.36	13.8		1.57	2.2	74		2.2
	37.1	12.43	12.8		1.85	3	70		2.4
EA50/16 A	17.6	5.89	13.8	1750	1.03	1.5	64	165	2.1
	29.3	9.82	12.4		1.36	2.2	73		2.2
	35.1	11.78	11.4		1.49	2.2	73		2.4
EA50/16 B	16.5	5.53	12.1	1750	0.89	1.1	61	155	2.1
	27.5	9.22	11.0		1.14	1.5	72		2.2
	33.0	11.07	10.0		1.25	2.2	72		2.4
EA50/16 C	15.4	5.18	10.6	1750	0.76	1.1	59	145	2.1
	25.7	8.63	9.6		0.96	1.5	70		2.2
	30.9	10.36	8.8		1.03	1.5	71.5		2.4
EA50/16 D	14.4	4.82	9.2	1750	0.63	1.1	57.5	135	2.1
	24.0	8.03	8.3		0.81	1.1	67.5		2.2
	28.8	9.64	7.3		0.85	1.1	67		2.4
EA50/16 E	13.3	4.46	7.9	1750	0.51	0.75	56	125	2.1
	22.2	7.44	6.7		0.61	1.1	66		2.2
	26.6	8.93	5.8		0.65	1.1	65		2.4
EA50/20	18.0	6.03	22.3	1750	1.85	2.2	59	214	1.3
	30.0	10.05	19.4		2.43	3	65		1.5
	36.0	12.06	17.2		2.72	4	62		1.8
EA50/20 A	17.2	5.78	20.5	1750	1.67	2.2	57.5	205	1.3
	28.7	9.63	17.5		2.12	3	64.5		1.5
	34.5	11.56	15.4		2.38	3	61		1.8



EA50/20 B	16.4	5.50	18.2	1750	1.49	2.2	54.5	195	1.3
	27.3	9.16	15.6		1.84	3	63		1.5
	32.8	10.99	13.7		2.04	3	60		1.8
EA50/20 C	15.6	5.21	16.2	1750	1.32	2.2	52	185	1.3
	25.9	8.69	14.0		1.61	2.2	61.5		1.5
	31.1	10.43	11.9		1.73	2.2	58.5		1.8
EA50/20 D	14.7	4.93	14.3	1750	1.11	1.5	51.5	175	1.3
	24.5	8.22	12.1		1.38	2.2	58.5		1.5
	29.4	9.87	10.5		1.53	2.2	55		1.8
EA50/20 E	13.9	4.65	12.5	1750	0.97	1.5	49	165	1.3
	23.1	7.75	10.3		1.18	1.5	55		1.5
	27.7	9.30	8.6		1.25	2.2	52		1.8
EA50/26	19.2	6.44	36.4	1750	3.59	5.5	53	264	1.7
	32.0	10.73	34.2		4.73	5.5	63		1.8
	38.4	12.88	32.5		5.31	7.5	64		1.9
EA50/26 A	18.5	6.22	33.6	1750	3.30	5.5	51.5	255	1.7
	30.9	10.36	31.6		4.29	5.5	62		1.8
	37.1	12.44	30.0		4.81	7.5	63		1.9
EA50/26 B	17.8	5.97	31.2	1750	2.94	4	51.5	245	1.7
	29.7	9.96	29.2		3.80	5.5	62		1.8
	35.6	11.95	27.8		4.25	5.5	63.5		1.9

EA	Capacity		Head	Speed	Power(kw)		Eff	Impeller Dia.	(NPSH) _r
	m ³ /h	L/s			Shaft	Motor			
Model	m ³ /h	L/s	m	r/min	kw	kw	%	mm	m
EA50/26 C	17.1	5.73	28.8	1750	2.63	4	51	235	1.7
	28.5	9.55	27.1		3.44	4	61		1.8
	34.2	11.46	25.8		3.81	5.5	63		1.9
EA50/26 D	16.4	5.49	26.4	1750	2.36	4	50	225	1.7
	27.3	9.14	24.8		3.06	4	60		1.8
	32.7	10.97	23.5		3.40	5.5	61.5		1.9
EA50/26 E	15.6	5.24	24.1	1750	2.08	3	49.5	215	1.7
	26.1	8.74	22.6		2.70	4	59.5		1.8
	31.3	10.49	21.4		2.99	4	61		1.9
EA50/26 F	14.9	5.00	22.0	1750	1.83	3	49	205	1.7
	24.9	8.33	20.4		2.36	3	58.5		1.8
	29.8	10.00	19.2		2.60	4	60		1.9
EA50/32	30.2	10.14	51.9	1750	8.21	11	52	329	1.5
	50.4	16.90	45.3		10.72	15	58		2.2
	60.5	20.28	40.5		12.12	15	55		2.7
EA50/32 A	29.0	9.71	47.3	1750	7.18	11	52	315	1.5
	48.3	16.18	39.8		9.08	11	57.5		2.2
	57.9	19.41	36.3		10.40	15	55		2.7
EA50/32 B	27.6	9.24	42.8	1750	6.18	7.5	52	300	1.5
	46.0	15.41	36.6		8.02	11	57		2.2
	55.1	18.49	32.6		9.07	11	54		2.7
EA50/32 C	26.2	8.78	38.0	1750	5.21	7.5	52	285	1.5
	43.7	14.64	32.6		6.92	11	56		2.2
	52.4	17.56	28.5		7.61	11	53.5		2.7
EA50/32 D	24.8	8.32	33.5	1750	4.35	5.5	52	270	1.5
	41.4	13.87	28.8		5.80	7.5	56		2.2
	49.6	16.64	25.1		6.51	7.5	52		2.7
EA50/32 E	23.4	7.86	29.4	1750	3.61	5.5	52	255	1.5
	39.1	13.10	28.8		5.58	7.5	55		2.2
	46.9	15.72	21.7		5.33	7.5	52		2.7
EA65/13	29.0	9.71	9.3	1750	1.13	1.5	65	139	2.3
	48.3	16.18	8.0		1.35	2.2	78		2.4
	57.9	19.42	7.0		1.43	2.2	77		2.7
EA65/13 A	27.1	9.08	8.0	1750	0.87	1.1	68	130	2.3
	45.2	15.14	6.7		1.06	1.5	78		2.4
	54.2	18.16	5.2		1.03	1.5	75		2.7
EA65/13 B	25.0	8.38	6.7	1750	0.68	1.1	67.5	120	2.3
	41.7	13.97	5.5		0.81	1.1	77.5		2.4
	50.0	16.77	4.4		0.80	1.1	74		2.7



EA	Capacity		Head	Speed	Power(kw)		Eff	Impeller Dia.	(NPSH)r
	m ³ /h	L/s			kw	kw			
Model	m ³ /h	L/s	m	r/min	kw	kw	%	mm	m
EA65/16	30.0	10.06	14.9	1750	1.84	2.2	66	174	2
	50.0	16.76	12.8		2.24	3	78		2.3
	60.0	20.12	11.4		2.41	3	77		2.6
EA65/16 A	28.5	9.54	13.4	1750	1.58	2.2	65.5	165	2
	47.4	15.90	10.9		1.83	3	77		2.3
	56.9	19.08	9.8		2.02	3	75		2.6
EA65/16 B	26.7	8.96	11.8	1750	1.32	2.2	65	155	2
	44.5	14.93	10.3		1.66	2.2	75.5		2.3
	53.5	17.92	8.6		1.69	2.2	74		2.6
EA65/16 C	25.0	8.38	10.3	1750	1.10	1.5	64	145	2
	41.7	13.97	8.7		1.34	2.2	74		2.3
	50.0	16.76	7.6		1.43	2.2	72		2.6
EA65/16 D	23.3	7.80	8.9	1750	0.93	1.5	61	135	2
	38.8	13.01	7.6		1.11	1.5	72		2.3
	46.6	15.61	6.6		1.19	1.5	70		2.6
EA65/16 E	21.6	7.23	8.0	1750	0.78	1.1	60	125	2
	35.9	12.04	6.5		0.92	1.5	69		2.3
	43.1	14.45	5.5		0.97	1.5	67		2.6
EA65/20	33.0	11.06	22.7	1750	3.14	4	65	214	1.7
	55.0	18.43	20.0		4.12	5.5	72.5		1.9
	66.0	22.12	16.6		4.20	5.5	71		2.1
EA65/20 A	31.6	10.59	20.5	1750	2.76	4	64	205	1.7
	52.7	17.65	18.1		3.57	5.5	72.5		1.9
	63.2	21.19	16.2		3.86	5.5	72		2.1
EA65/20 B	30.1	10.08	18.6	1750	2.45	3	62	195	1.7
	50.1	16.79	16.3		3.10	4	72		1.9
	60.1	20.15	14.6		3.32	5.5	72		2.1
EA65/20 C	28.5	9.56	16.6	1750	2.15	3	60	185	1.7
	47.5	15.93	14.6		2.64	4	71.5		1.9
	57.0	19.12	13.2		2.88	4	71		2.1
EA65/20 D	27.0	9.04	14.9	1750	1.95	2.2	56	175	1.7
	45.0	15.07	13.0		2.28	3	69.5		1.9
	53.9	18.08	11.4		2.42	3	69		2.1
EA65/20 E	25.4	8.53	13.1	1750	1.65	2.2	55	165	1.7
	42.4	14.21	11.2		1.90	3	68		1.9
	50.9	17.05	9.9		2.08	3	66		2.1
EA65/26	36.0	12.07	35.8	1750	5.95	7.5	59	264	1.7
	60.0	20.12	33.5		7.60	11	72		1.9
	72.0	24.14	31.6		8.49	11	73		2
EA65/26 A	34.8	11.66	33.1	1750	5.31	7.5	59	255	1.7
	58.0	19.43	31.3		6.85	11	72		1.9
	69.6	23.32	29.1		7.56	11	73		2
EA65/26 B	33.4	11.20	30.5	1750	4.79	7.5	58	245	1.7
	55.7	18.67	28.9		6.16	7.5	71		1.9
	66.8	22.41	26.7		6.69	7.5	72.5		2
EA65/26 C	32.1	10.75	28.5	1750	4.37	5.5	57	235	1.7
	53.4	17.91	26.5		5.51	7.5	70		1.9
	64.1	21.49	24.8		6.00	7.5	72		2
EA65/26 D	30.7	10.29	26.4	1750	3.93	5.5	56	225	1.7
	51.1	17.15	24.3		4.91	7.5	69		1.9
	61.4	20.58	22.3		5.40	7.5	69		2
EA65/26 E	29.3	9.83	23.9	1750	3.47	5.5	55	215	1.7
	48.9	16.38	22.0		4.37	5.5	67		1.9
	58.6	19.66	20.2		4.82	7.5	67		2
EA65/26 F	28.0	9.37	21.8	1750	3.14	4	53	205	1.7
	46.6	15.62	20.1		3.89	5.5	65.5		1.9
	55.9	18.75	18.2		4.26	5.5	65		2
EA65/32	39.0	13.08	53.9	1750	10.60	15	54	329	1.9
	65.0	21.80	49.5		13.70	18.5	64		2
	78.0	26.16	46.2		15.09	18.5	65		2.1



EA	Capacity		Head	Speed	Power(kw)		Eff	Impeller Dia.	(NPSH)r
	m ³ /h	L/s			kw	Motor			
Model	m ³ /h	L/s	m	r/min	kw	kw	%	mm	m
EA65/32 A	37.3	12.52	48.7	1750	9.25	15	53.5	315	1.9
	62.2	20.87	44.6		11.80	15	64		2
	74.7	25.04	41.4		13.04	15	64.5		2.1
EA65/32 B	35.6	11.93	43.7	1750	7.98	11	53	300	1.9
	59.3	19.88	39.6		9.99	15	64		2
	71.1	23.85	36.1		10.93	15	64		2.1
EA65/32 C	33.8	11.33	39.3	1750	6.96	11	52	285	1.9
	56.3	18.88	35.2		8.51	11	63.5		2
	67.6	22.66	31.8		9.20	11	63.5		2.1
EA65/32 D	32.0	10.73	35.3	1750	6.09	7.5	50.5	270	1.9
	53.4	17.89	31.2		7.24	11	62.5		2
	64.0	21.47	27.7		7.78	11	62		2.1
EA65/32 E	30.2	10.14	30.7	1750	5.16	7.5	49	255	1.9
	50.4	16.89	27.7		6.12	11	62		2
	60.5	20.27	24.2		6.63	11	60		2.1
EA80/16	48.0	16.09	14.4	1750	2.85	4	66	174	2.3
	80.0	26.82	12.8		3.58	5.5	78		2.5
	96.0	32.18	11.5		3.91	5.5	77		3.7
EA80/16 A	45.5	15.26	12.7	1750	2.42	3	65	165	2.3
	75.9	25.43	10.9		2.91	4	77.5		2.5
	91.0	30.52	9.5		3.13	4	75		3.7
EA80/16 B	42.8	14.33	10.9	1750	2.02	3	63	155	2.3
	71.3	23.89	9.2		2.33	4	76.5		2.5
	85.5	28.67	7.7		2.51	4	71.5		3.7
EA80/16 C	40.0	13.41	9.8	1750	1.71	2.2	62	145	2.3
	66.7	22.35	8.0		1.94	3	75		2.5
	80.0	26.82	6.6		2.04	3	70		3.7
EA80/16 D	37.2	12.48	8.5	1750	1.41	2.2	61	135	2.3
	62.1	20.81	6.7		1.62	2.2	70		2.5
	74.5	24.97	5.5		1.65	2.2	68		3.7
EA80/20	57.0	19.11	22.4	1750	5.04	7.5	69	214	1.9
	95.0	31.85	20.5		6.56	11	81		2
	114.0	38.22	19.1		7.27	11	81.5		2.4
EA80/20 A	54.6	18.31	20.4	1750	4.46	7.5	68	205	1.9
	91.0	30.51	18.5		5.66	7.5	81		2
	109.2	36.61	16.9		6.20	7.5	81		2.4
EA80/20 B	51.9	17.41	18.4	1750	3.99	5.5	65	195	1.9
	86.6	29.02	16.3		4.81	7.5	80		2
	103.9	34.83	14.7		5.20	7.5	80		2.4
EA80/20 C	49.3	16.52	16.5	1750	3.52	5.5	63	185	1.9
	82.1	27.53	14.6		4.15	5.5	78.5		2
	98.6	33.04	12.8		4.41	5.5	78		2.4
EA80/20 D	46.6	15.63	14.6	1750	2.98	4	62	175	1.9
	77.7	26.05	12.7		3.53	5.5	76		2
	93.2	31.25	10.9		3.70	5.5	75		2.4
EA80/20 E	44.0	14.73	12.8	1750	2.53	4	60.5	165	1.9
	73.3	24.56	10.8		2.90	4	74		2
	87.9	29.47	9.3		3.10	4	72		2.4
EA80/26	57.0	19.11	35.0	1750	8.22	11	66	264	1.6
	95.0	31.85	31.3		10.66	15	76		2
	114.0	38.22	28.4		11.75	15	75		2.4
EA80/26 A	55.1	18.46	32.6	1750	7.19	11	68	255	1.6
	91.8	30.76	29.2		9.73	11	75		2
	110.1	36.92	26.1		10.86	15	72		2.4
EA80/26 B	52.9	17.73	30.1	1750	6.47	7.5	67	245	1.6
	88.2	29.56	26.5		8.43	11	75.5		2
	105.8	35.47	23.7		9.24	11	74		2.4
EA80/26 C	50.7	17.01	28.0	1750	5.81	7.5	66.5	235	1.6
	84.6	28.35	24.0		7.38	11	75		2
	101.5	34.02	21.4		8.10	11	73		2.4



EA	Capacity		Head m	Speed r/min	Power(kw)		Eff %	Impeller Dia. mm	(NPSH)r m
	m ³ /h	L/s			Shaft kw	Motor kw			
EA80/26 D	48.6	16.29	25.6	1750	5.10	7.5	66.5	225	1.6
	81.0	27.14	22.0		6.52	11	74.5		2
	97.2	32.57	19.2		6.97	11	73		2.4
EA80/26 E	46.4	15.56	23.3	1750	4.46	5.5	66	215	1.6
	77.4	25.94	20.1		5.73	7.5	74		2
	92.8	31.13	17.3		6.08	7.5	72		2.4
EA80/26 F	44.3	14.84	21.1	1750	3.89	5.5	65.5	205	1.6
	73.8	24.73	18.4		5.05	7.5	73		2
	88.5	29.68	15.6		5.33	7.5	70.5		2.4
EA80/32	72.4	20.12	52.1	1750	17.72	22	58	329	1.5
	120.7	33.53	48.7		23.17	30	69		1.8
	144.8	40.23	45.6		25.32	30	71		2
EA80/32 A	69.3	19.26	47.3	1750	15.68	18.5	57	315	1.5
	115.6	32.10	43.8		19.70	22	70		1.8
	138.7	38.52	41.4		22.09	30	70.7		2
EA80/32 B	66.0	18.34	43.3	1750	13.76	18.5	56.5	300	1.5
	110.1	30.57	40.1		17.14	22	70		1.8
	132.1	36.69	37.3		18.96	22	70.7		2
EA80/32 C	62.7	17.43	39.0	1750	11.91	15	56	285	1.5
	104.6	29.04	36.3		14.73	18.5	70.1		1.8
	125.5	34.85	33.2		16.07	18.5	70.6		2
EA80/32 D	59.4	16.51	33.9	1750	9.81	15	56	270	1.5
	99.1	27.52	31.3		12.01	15	70.3		1.8
	118.9	33.02	28.7		13.19	15	70.4		2
EA80/32 E	56.1	15.59	29.7	1750	7.97	11	57	255	1.5
	93.6	25.99	27.4		9.89	15	70.5		1.8
	112.3	31.18	24.9		10.81	15	70.4		2
EA80/40	72.4	20.12	82.3	1750	31.50	37	51.5	409	1.8
	120.7	33.53	76.0		40.62	55	61.5		2
	144.8	40.23	69.6		44.86	55	61.2		2.3
EA80/40 A	69.9	19.43	75.9	1750	27.79	37	52	395	2.2
	116.6	32.38	69.6		35.92	45	61.5		2.4
	139.9	38.86	64.4		40.12	45	61.1		3.2
EA80/40 B	67.3	18.69	70.4	1750	25.27	30	51	380	2.2
	112.1	31.15	64.4		31.96	37	61.5		2.4
	134.6	37.38	58.6		35.75	45	60		3
EA80/40 C	64.6	17.95	64.4	1750	21.99	30	51.5	365	2.2
	107.7	29.92	58.6		28.01	37	61.3		2.3
	129.3	35.90	53.5		31.35	37	60		2.8
EA80/40 D	62.0	17.21	58.6	1750	19.37	30	51	350	2.2
	103.3	28.69	53.2		24.75	30	60.4		2.3
	123.9	34.43	48.5		27.65	30	59.2		2.8
EA80/40 E	59.3	16.48	53.6	1750	17.50	22	49.5	335	2.2
	98.9	27.46	48.8		22.03	30	59.6		2.3
	118.6	32.95	44.3		24.36	30	58.7		2.8
EA80/40 F	56.7	15.74	48.4	1750	15.54	18.5	48	320	2.2
	94.4	26.23	44.3		19.53	30	58.3		2.3
	113.3	31.48	40.5		21.80	30	57.3		2.8
EA100/16	91.2	25.34	12.8	1750	4.75	5.5	67	176	2
	152.1	42.24	10.5		5.36	7.5	81		2.1
	182.5	50.69	8.4		5.46	7.5	76.2		2.7
EA100/16 A	85.5	23.76	11.4	1750	3.89	5.5	68	165	2
	142.6	39.60	9.0		4.41	5.5	79.5		2.1
	171.1	47.52	8.0		4.75	5.5	78.5		2.7
EA100/16 B	80.4	22.32	9.9	1750	3.23	4	67	155	2
	133.9	37.20	8.0		3.76	5.5	77.6		2.1
	160.7	44.64	6.6		3.80	5.5	75.5		2.7
EA100/16 C	75.2	20.88	8.8	1750	2.78	4	64.5	145	2
	125.3	34.80	7.0		3.14	4	76		2.1
	150.3	41.76	5.7		3.18	4	73		2.7



EA	Capacity		Head	Speed	Power(kw)		Eff	Impeller Dia.	(NPSH)r
	m ³ /h	L/s			kw	kw			
Model	m ³ /h	L/s	m	r/min	kw	kw	%	mm	m
EA100/20	102.8	28.56	21.7	1750	8.68	11	70	214	1.7
	171.4	47.60	18.9		11.04	15	80		1.9
	205.6	57.12	16.2		12.07	15	75		2.2
EA100/20 A	98.5	27.36	19.5	1750	7.48	11	70	205	1.7
	164.2	45.60	16.8		9.48	15	79		1.9
	197.0	54.72	14.3		10.14	15	75.5		2.2
EA100/20 B	93.7	26.02	17.7	1750	6.62	7.5	68	195	1.7
	156.1	43.37	14.6		8.04	11	77		1.9
	187.4	52.05	12.1		8.33	11	74		2.2
EA100/20 C	88.9	24.69	15.7	1750	5.68	7.5	67	185	1.7
	148.1	41.15	12.7		6.77	7.5	75.5		1.9
	177.8	49.38	10.3		7.05	11	71		2.2
EA100/20 D	84.1	23.36	13.8	1750	5.03	5.5	63	175	1.7
	140.1	38.93	10.6		5.52	7.5	73.5		1.9
	168.2	46.71	8.3		5.59	7.5	68		2.2
EA100/20 E	79.3	22.02	12.1	1750	4.35	5.5	60	165	1.7
	132.1	36.70	8.9		4.51	5.5	70.8		1.9
	158.5	44.04	6.6		4.56	5.5	62		2.2
EA100/26	107.2	29.77	36.0	1750	15.67	18.5	67	264	1.8
	178.6	49.62	32.0		19.98	30	78		2
	214.3	59.54	28.5		22.21	30	75		2.3
EA100/26 A	103.5	28.75	33.2	1750	14.07	18.5	66.5	255	1.8
	172.5	47.92	29.7		18.24	22	76.5		2
	207.0	57.51	26.2		20.10	30	73.5		2.3
EA100/26 B	99.5	27.63	30.7	1750	12.61	15	66	245	1.8
	165.8	46.04	27.4		16.50	18.5	75		2
	198.9	55.25	24.2		17.95	22	73		2.3
EA100/26 C	95.4	26.50	28.1	1750	11.23	15	65	235	1.8
	159.0	44.17	24.8		14.58	18.5	73.5		2
	190.8	53.00	21.7		15.88	18.5	71		2.3
EA100/26 D	91.3	25.37	25.6	1750	10.28	15	62	225	1.8
	152.2	42.29	22.3		12.83	15	72		2
	182.7	50.74	19.2		13.86	15	69		2.3
EA100/26 E	87.3	24.24	23.3	1750	8.93	11	62	215	1.8
	145.5	40.41	19.8		10.89	15	72		2
	174.6	48.49	16.8		11.62	15	68.5		2.3
EA100/26 F	83.2	23.12	21.0	1750	8.05	11	59	205	1.8
	138.7	38.53	17.5		9.71	11	68		2
	166.4	46.23	14.6		10.31	15	64		2.3
EA100/32	97.8	27.16	55.4	1750	21.66	30	68	329	2
	162.9	45.26	49.5		28.31	37	77.6		2.2
	195.5	54.31	44.0		32.07	37	73		2.7
EA100/32 A	93.6	26.00	50.1	1750	19.06	22	67	315	2
	156.0	43.33	45.2		25.16	30	76.2		2.2
	187.2	52.00	40.2		28.45	37	72		2.7
EA100/32 B	89.1	24.76	45.3	1750	16.66	22	66	300	2
	148.6	41.27	40.8		22.29	30	74		2.2
	178.3	49.52	36.4		24.89	30	71		2.7
EA100/32 C	84.7	23.52	41.1	1750	14.57	18.5	65	285	2
	141.1	39.21	36.4		19.57	22	71.5		2.2
	169.4	47.05	32.2		22.32	30	66.5		2.7
EA100/32 D	80.2	22.29	37.4	1750	13.19	18.5	62	270	2
	133.7	37.14	32.5		17.39	22	68		2.2
	160.5	44.57	28.9		19.57	22	64.5		2.7
EA100/32 E	75.8	21.05	33.4	1750	11.67	15	59	255	2
	126.3	35.08	28.8		15.25	18.5	65		2.2
	151.5	42.09	24.5		16.82	22	60		2.7
EA100/40	109.5	30.41	82.7	1750	39.77	45	62	409	1.5
	182.5	50.69	75.5		52.79	75	71		1.8
	219.0	60.83	68.5		60.46	75	67.5		2.1



EA	Capacity		Head	Speed	Power(kw)		Eff	Impeller Dia.	(NPSH)r
	m ³ /h	L/s			kw	kw			
Model	m ³ /h	L/s	m	r/min	kw	kw	%	mm	m
EA100/40 A	105.7	29.37	76.3	1750	36.02	45	61	395	1.5
	176.2	48.95	69.0		47.66	55	69.5		1.8
	211.5	58.75	62.1		54.13	75	66		2.1
EA100/40 B	101.7	28.26	70.2	1750	32.40	37	60	380	1.5
	169.5	47.10	63.2		43.55	55	67		1.8
	203.5	56.51	56.5		47.79	55	65.5		2.1
EA100/40 C	97.7	27.14	64.8	1750	29.73	37	58	365	1.5
	162.9	45.24	57.5		38.36	45	66.5		1.8
	195.4	54.28	51.0		42.38	55	64		2.1
EA100/40 D	93.7	26.03	59.1	1750	26.23	30	57.5	350	1.5
	156.2	43.38	52.3		34.20	37	65		1.8
	187.4	52.05	46.2		37.69	45	62.5		2.1
EA100/40 E	89.7	24.91	54.6	1750	23.81	30	56	335	1.5
	149.5	41.52	47.9		30.47	37	64		1.8
	179.4	49.82	42.0		33.58	37	61		2.1
EA100/40 F	85.7	23.80	49.5	1750	21.00	30	55	320	1.5
	142.8	39.66	43.4		26.78	30	63		1.8
	171.3	47.59	37.6		29.71	37	59		2.1
EA125/20	138.2	38.38	21.8	1750	13.25	15	62	214	1.3
	230.3	63.97	19.4		15.37	18.5	70		1.7
	276.3	76.76	17.0		16.33	18.5	78.5		1.85
EA125/20 A	132.4	36.77	19.4	1750	11.44	15	61	205	1.3
	220.6	61.28	16.8		13.06	15	77		1.7
	264.7	73.53	14.4		13.67	15	76		1.85
EA125/20 B	125.9	34.97	17.0	1750	9.90	11	59	195	1.3
	209.8	58.29	14.1		10.76	15	75		1.7
	251.8	69.94	11.8		11.23	15	72		1.85
EA125/20 C	119.4	33.18	14.9	1750	8.33	11	58	185	1.3
	199.1	55.30	11.7		9.02	11	70		1.7
	238.9	66.36	9.2		9.04	11	66		1.85
EA125/26	173.8	48.28	35.0	1750	23.30	30	71	264	2.2
	289.7	80.46	32.3		30.36	37	84		2.8
	347.6	96.56	29.9		33.84	37	83.5		3.3
EA125/26 A	167.9	46.63	31.9	1750	20.53	30	71	255	2.2
	279.8	77.72	29.3		26.71	30	83.5		2.8
	335.8	93.27	26.7		29.35	37	83		3.3
EA125/26 B	161.3	44.80	29.1	1750	18.27	22	70	245	2.2
	268.8	74.67	26.7		23.50	30	83		2.8
	322.6	89.61	24.0		25.90	30	81.5		3.3
EA125/26 C	154.7	42.98	26.7	1750	16.04	18.5	70	235	2.2
	257.9	71.63	23.9		20.70	30	81		2.8
	309.4	85.95	21.1		22.24	30	80		3.3
EA125/26 D	148.1	41.15	24.2	1750	14.13	18.5	69	225	2.2
	246.9	68.58	21.0		17.62	22	80		2.8
	296.3	82.29	18.1		19.04	22	76.5		3.3
EA125/26 E	141.5	39.32	21.7	1750	12.30	15	68	215	2.2
	235.9	65.53	18.5		15.23	18.5	78		2.8
	283.1	78.64	15.6		16.45	22	73		3.3
EA125/26 F	135.0	37.49	19.4	1750	10.62	15	67	205	2.2
	224.9	62.48	16.0		13.08	15	75		2.8
	269.9	74.98	13.1		14.06	18.5	68.5		3.3
EA125/32	144.9	40.26	51.0	1750	30.95	37	65	329	1.7
	241.6	67.10	47.6		39.40	45	79.5		2.2
	289.9	80.52	44.9		43.71	55	81		2.7
EA125/32 A	138.8	38.55	46.5	1750	27.01	30	65	315	1.7
	231.3	64.25	43.6		34.71	37	79		2.2
	277.6	77.10	41.1		38.79	45	80		2.7
EA125/32 B	132.2	36.71	42.2	1750	23.56	30	64.5	300	1.7
	220.3	61.19	39.3		30.04	37	78.5		2.2
	264.3	73.43	37.1		33.41	37	80		2.7



EA125/32 C	125.6	34.88	38.2	1750	20.38	30	64	285	1.7
	209.3	58.13	35.5		25.96	30	78		2.2
	251.1	69.76	33.4		28.50	37	80		2.7
EA125/32 D	119.0	33.04	33.8	1750	17.10	22	64	270	1.7
	198.3	55.07	31.2		22.14	30	76		2.2
	237.9	66.08	29.0		24.07	30	78		2.7
EA125/32 E	112.3	31.21	30.0	1750	14.80	18.5	62	255	1.7
	187.2	52.01	27.4		18.86	22	74		2.2
	224.7	62.41	25.2		20.28	30	76		2.7
EA125/40	177.4	49.28	82.4	1750	61.25	75	65	409	1.5
	295.7	82.13	76.5		82.62	110	74.5		2.8
	354.8	98.56	70.9		92.59	110	74		4
EA125/40 A	171.3	47.59	75.6	1750	55.09	75	64	395	1.5
	285.5	79.32	69.3		73.83	90	73		2.8
	342.7	95.18	63.8		82.08	90	72.5		4
EA125/40 B	164.8	45.78	69.5	1750	49.48	55	63	380	1.5
	274.7	76.31	62.8		65.66	75	71.5		2.8
	329.6	91.57	57.8		73.09	90	71		4
EA125/40 C	158.3	43.98	63.2	1750	43.94	55	62	365	1.5
	263.9	73.29	58.0		58.65	75	71		2.8
	316.6	87.95	53.2		65.47	75	70		4

EA	Capacity		Head	Speed	Power(kw)		Eff	Impeller Dia.	(NPSH)r
	m ³ /h	L/s			Shaft	Motor			
Model	m ³ /h	L/s	m	r/min	kw	kw	%	mm	m
EA125/40 D	151.8	42.17	58.1	1750	39.37	45	61	350	1.5
	253.0	70.28	53.3		53.22	75	69		2.8
	303.6	84.34	48.4		58.78	75	68		4
EA125/40 E	145.3	40.36	53.6	1750	35.34	45	60	335	1.5
	242.2	67.27	48.8		48.01	55	67		2.8
	290.6	80.72	43.8		51.77	75	67		4
EA125/40 F	138.8	38.55	48.5	1750	31.06	37	59	320	1.5
	231.3	64.26	43.8		41.83	55	66		2.8
	277.6	77.11	39.3		45.72	55	65		4
EA150/20	260.7	72.41	20.5	1750	23.51	30	62	214	3
	434.5	120.69	17.8		26.27	30	80		3.5
	521.4	144.83	15.4		29.03	30	75.5		4
EA150/20 A	249.7	69.37	18.6	1750	20.78	30	61	205	3
	416.2	115.61	15.7		22.85	30	78		3.5
	499.5	138.74	13.4		24.96	30	73		4
EA150/20 B	237.5	65.98	16.8	1750	18.36	22	59	195	3
	395.9	109.97	13.8		19.75	22	75.5		3.5
	475.1	131.97	11.4		20.99	30	70		4
EA150/20 C	225.4	62.60	14.9	1750	15.99	18.5	57	185	3
	375.6	104.33	11.9		17.20	22	71		3.5
	450.7	125.20	9.6		18.15	22	65		4
EA150/20 D	213.2	59.22	13.0	1750	14.19	18.5	53	175	3
	355.3	98.70	10.1		14.73	18.5	66		3.5
	426.4	118.43	7.7		15.19	18.5	59		4
EA150/26	234.6	65.17	33.6	1750	29.85	37	72	264	1.7
	391.0	108.62	30.6		39.95	45	81.5		2.1
	469.2	130.35	26.1		44.41	55	75		4
EA150/26 A	226.6	62.95	30.9	1750	26.46	30	72	255	1.7
	377.7	104.92	27.5		35.83	45	79		2.1
	453.2	125.90	22.7		38.94	45	72		4
EA150/26 B	217.7	60.48	28.1	1750	23.47	30	71	245	1.7
	382.9	100.80	24.3		31.21	37	77		2.1
	435.5	120.96	19.5		34.03	37	68		4
EA150/26 C	208.8	58.01	25.6	1750	20.82	30	70	235	1.7
	348.1	96.69	21.4		27.23	37	74.5		2.1
	417.7	116.03	16.3		28.98	37	64		4
EA150/26 D	200.0	55.54	23.2	1750	18.82	22	67	225	1.7
	333.3	92.57	18.4		23.13	30	72		2.1
	399.9	111.09	13.5		25.00	30	59		4



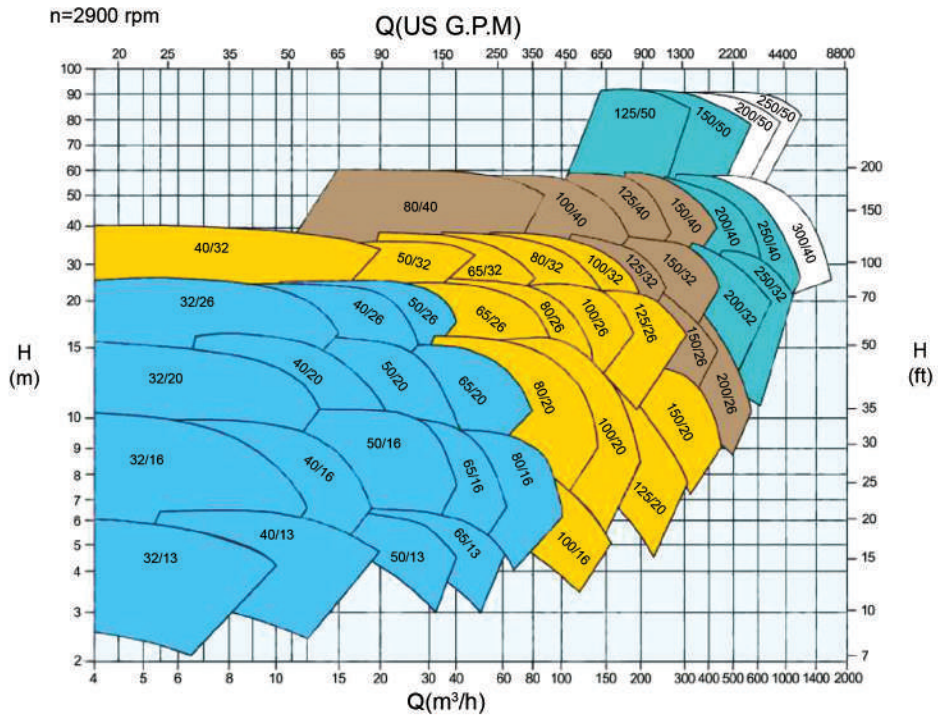
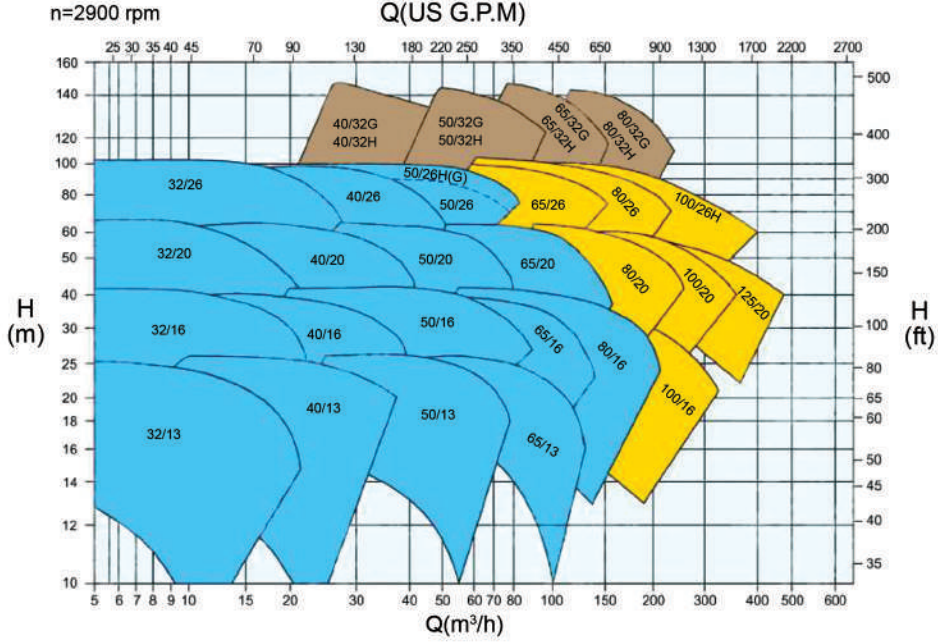
EA150/26 E	191.1	53.08	20.7	1750	16.55	22	65	215	1.7
	318.5	88.46	15.0		20.32	30	64		2.1
	382.1	106.15	10.3		21.10	30	51		4
EA150/32	267.9	74.43	52.4	1750	52.39	75	73	329	2.1
	446.6	124.05	49.5		71.25	90	84.5		3
	535.9	148.85	45.4		79.40	90	83.5		4
EA150/32 A	256.5	71.26	47.6	1750	45.57	55	73	315	2.1
	427.6	118.77	44.1		61.89	75	83		3
	513.1	142.52	39.5		68.07	75	81		4
EA150/32 B	244.3	67.87	42.7	1750	39.42	45	72	300	2.1
	407.2	113.11	38.7		53.02	75	81		3
	488.6	135.73	34.1		57.39	75	79		4
EA150/32 C	232.1	64.47	38.2	1750	33.96	45	71	285	2.1
	386.8	107.46	33.5		44.66	55	79		3
	464.2	128.95	28.7		47.71	55	76		4
EA150/32 D	219.9	61.08	33.8	1750	28.90	37	70	270	2.1
	366.5	101.80	28.8		37.37	45	77		3
	439.8	122.16	24.0		39.41	45	73		4
EA150/32 E	207.7	57.69	29.4	1750	24.11	30	69	255	2.1
	346.1	96.14	24.2		30.38	37	75		3
	415.3	115.37	18.9		31.03	37	69		4
EA	Capacity		Head m	Speed r/min	Power(kw)		Eff %	Impeller Dia. mm	(NPSH)r m
	m ³ /h	L/s			Shaft kw	Motor kw			
Model	m ³ /h	L/s	m	r/min	kw	kw	%	mm	m
EA150/40 B	259.0	71.95	67.0	1750	71.58	90	66	380	2
	431.7	119.91	60.3		89.70	110	79		3.3
	518.0	143.90	52.4		97.30	110	76		4.6
EA150/40 C	248.8	69.11	61.8	1750	63.38	75	66	365	2
	414.7	115.18	54.9		80.50	90	77		3.3
	497.6	138.22	47.8		87.45	110	74		4.6
EA150/40 D	238.6	66.27	56.2	1750	56.18	75	65	350	2
	397.6	110.45	49.7		70.74	90	76		3.3
	477.1	132.54	43.1		74.17	90	75.5		4.6
EA150/40 E	228.3	63.43	51.6	1750	50.08	75	64	335	2
	380.6	105.71	45.4		64.50	75	73		3.3
	456.7	126.86	39.3		67.91	75	72		4.6
EA150/40 F	218.1	60.59	46.8	1750	43.72	55	63.5	320	2
	363.5	100.98	41.4		56.08	75	73		3.3
	436.2	121.18	35.5		58.62	75	72		4.6
EA200/26	312.8	86.90	29.7	1750	40.81	45	62	288	3
	521.4	144.83	23.5		41.61	45	80		4.5
	625.7	173.79	18.6		41.78	45	76		5.5
EA200/26 A	293.3	81.47	24.5	1750	32.56	37	60	270	3
	488.8	135.78	19.2		33.66	37	76		4.5
	586.6	162.93	15.1		34.07	37	71		5.5
EA200/26 B	277.0	76.94	19.4	1750	25.63	30	57	255	3
	461.6	128.23	14.7		26.41	30	70		4.5
	554.0	153.88	10.9		26.57	30	62		5.5
EA200/32	456.2	126.72	46.8	1750	79.54	90	73	329	3.5
	760.3	211.21	40.6		100.14	110	84		4
	912.4	253.45	34.4		108.77	132	78.5		4.7
EA200/32 A	436.8	121.33	42.5	1750	70.24	90	72	315	3.5
	728.0	202.22	36.4		88.01	110	82		4
	873.6	242.66	30.6		94.47	110	77		4.7
EA200/32 B	416.0	115.55	38.9	1750	63.83	75	69	300	3.5
	693.3	192.59	33.8		78.74	90	81		4
	832.0	231.11	29.1		84.05	90	78.5		4.7
EA200/32 C	395.2	109.78	35.0	1750	56.13	75	67	285	3.5
	658.7	182.96	29.3		66.45	75	79		4
	790.4	219.55	24.5		70.20	75	75		4.7
EA200/32 D	374.4	104.00	31.3	1750	49.10	55	65	270	3.5
	624.0	173.33	25.8		57.62	75	76		4
	748.8	208.00	21.3		59.79	75	72.5		4.7



EA200/32 E	353.6	98.22	27.7	1750	42.97	55	62	255	3.5
	589.3	163.70	22.7		49.94	55	73		4
EA200/40	707.2	196.44	18.5	1750	50.88	55	70	409	4.7
	471.8	131.07	80.8		142.25	160	73		3.1
	786.4	218.45	72.1		183.76	250	84		3.9
EA200/40 A	943.7	262.14	60.9	1750	197.99	250	79	395	4.9
	455.7	126.58	75.3		129.75	160	72		3.1
	759.5	210.97	66.6		165.82	200	83		3.9
EA200/40 B	911.4	253.17	55.6	1750	179.28	200	77	380	4.9
	438.4	121.78	69.5		116.79	132	71		3.1
	730.7	202.96	61.2		146.60	160	83		3.9
EA200/40 C	876.8	243.55	50.5	1750	157.70	160	76.5	365	4.9
	421.1	116.97	63.1		103.28	132	70		3.1
	701.8	194.95	54.9		127.94	160	82		3.9
EA200/40 D	842.2	233.94	45.2	1750	138.03	160	75	350	4.9
	403.8	112.16	57.8		92.12	110	69		3.1
	673.0	186.94	50.0		114.41	132	80		3.9
EA200/40 E	807.6	224.32	39.9	1750	121.86	132	72	335	4.9
	386.5	107.36	53.0		83.26	110	67		3.1
	644.1	178.93	45.2		99.59	110	79.5		3.9
EA200/40 F	773.0	214.71	35.0	1750	106.61	110	69	320	4.9
	369.2	102.55	48.7		75.22	90	65		3.1
	615.3	170.91	41.1		90.53	110	76		3.9
EA250/32	738.3	205.10	31.3	1750	95.37	110	66	329	4.9
	595.2	165.32	45.4		118.76	132	62		4.2
	991.9	275.54	39.3		126.42	160	84		5.2
EA250/32 A	1190.3	330.64	35.0	1750	134.85	160	84	315	5.9
	569.8	158.29	41.4		105.20	132	61		4.2
	949.7	263.81	35.7		109.84	132	84		5.2
EA250/32 B	1139.7	316.57	30.6	1750	115.73	132	82	300	5.9
	542.7	150.75	36.9		90.74	110	60		4.2
	904.5	251.25	30.7		93.43	110	81		5.2
EA250/32 C	1085.4	301.50	26.2	1750	98.06	110	79	285	5.9
	515.6	143.21	32.2		80.68	90	56		4.2
	859.3	238.69	26.2		80.17	90	76.5		5.2
EA250/32 D	1031.1	286.42	22.0	1750	82.32	110	75	270	5.9
	488.4	135.67	27.7		69.43	75	53		4.2
	814.0	226.12	21.6		69.23	75	69		5.2
EA250/32 E	976.9	271.35	17.5	1750	69.37	75	67	255	5.9
	461.3	128.14	22.7		54.87	75	52		4.2
	768.8	213.56	16.5		53.83	75	64		5.2
EA250/40 C	922.6	256.27	12.8	1750	54.56	75	59	365	5.9
	569.7	158.26	63.4		131.03	160	75		3.5
	949.6	263.77	53.7		161.56	200	86		4.8
EA250/40 D	1139.5	316.53	44.3	1750	171.70	200	80	350	6.2
	546.3	151.76	58.3		115.54	132	75		3.5
	910.6	252.93	48.5		144.86	160	83		4.8
EA250/40 E	1092.7	303.52	39.6	1750	149.17	160	79	335	6.2
	522.9	145.26	53.3		102.55	132	74		3.5
	871.5	242.09	43.7		127.21	160	81.5		4.8
EA250/40 F	1045.8	290.51	34.7	1750	128.18	160	77	335	6.2
	499.7	138.79	48.4		88.89	110	74		3.5
	832.5	231.24	39.3		109.36	132	81.5		4.8
	999.3	277.59	30.9		109.10	132	77		6.2



EA Series-50Hz Performance





EA Series-60Hz Performance

