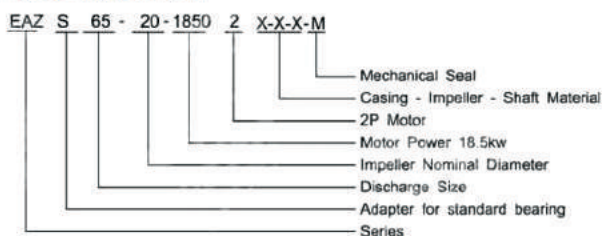


Description & Features

EIFEL EAZS series are Close-coupled type of EA series. No need to use couplings and motor shaft is plugged into pump shaft to ensure concentricity and shorten the axial length. Highly interchangeable parts, space saving, various applications in plants, mines, city water supplies, fire-fighting systems, air-condition systems and irrigation.

Model Instruction



Material Code

C: Cast Iron 45: ASTM 1045
 Q: Ductile Iron S304: ASTM 304
 B: Brass S316: ASTM 316
 S: ASTM 420 M: Mechanical Seal

Design & Structure

Design	Performance and dimensions referring to the European standard BS EN733/DIN24255
Structure	Close-coupled, Axial End-Suction, Single-Stage, Single-Suction, Volute Casing
DN (mm)	32-150
Flange	DIN2501 PN16 GB / T17241.6 PN1.6
Motor	IEC standard motor

Applications

- Water supply and drainage
- HVAC and Cooling Tower
- Marine – Ballasting & Bilge
- Booster and Pressurization Set
- Irrigation and agriculture
- Water supply and drainage
- Food and chemical industry (with stainless steel material)

Material

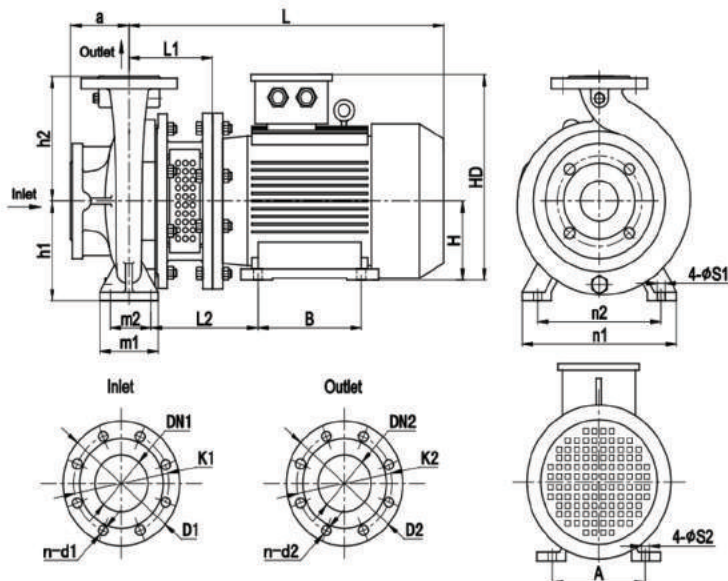
Part	Standard Material	Options on request
Casing	Cast Iron	Ductile Iron / ASTM304 / ASTM316
Impeller	Brass	Cast Iron / ASTM304 / ASTM316
Shaft	ASTM420	ASTM304 / ASTM316 / ASTM1045
Shaft Seal	Mechanical Seal	

Operating Data

Flow Rate(Q)	4-500m ³ /h
Head(H)	8-150m
Speed	1450 or 2900 rpm (50Hz) / 1750 or 3500 rpm (60Hz)
Max Temperature	85°C(standard)
Working Pressure	1.0 MPa standard; 1.6 MPa on request
Conveying Medium	Clean water or liquids similar to clean water in physical property



EAZS Installation Dimensions (50HZ)



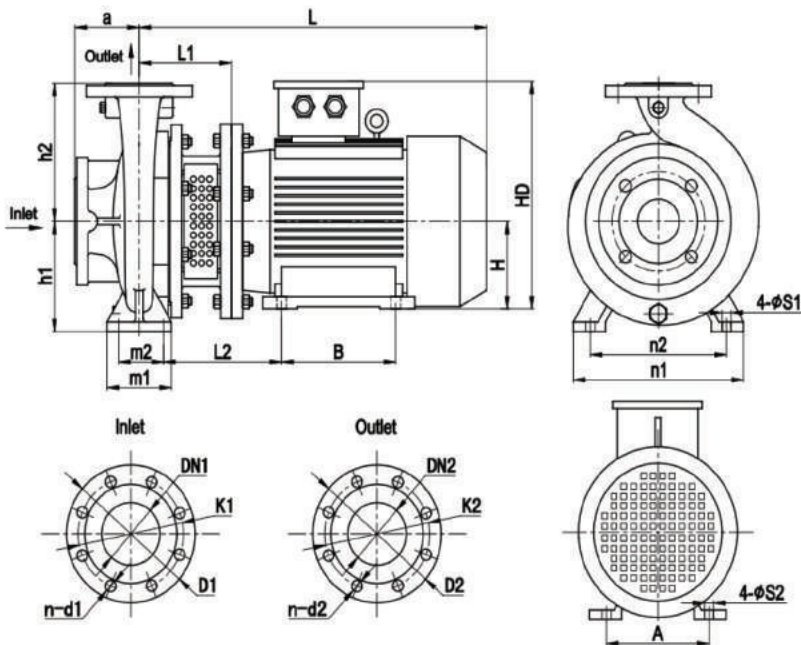
Flange Dimensions (ISO7005.2 DIN2501 PN16 GB/T17241.6 PN1.6)

DN1/DN2	32	40	50	65	80	100	125	150	200
D1/D2	140	150	165	185	200	220	250	285	340
K1/K2	100	110	125	145	160	180	210	240	295
n-d1/n-d2	4-φ 18	4-φ 18	4-φ 18	4-φ 18	8-φ 18	8-φ 18	8-φ 18	8-φ 22	12-φ 22

N O	EAZS Series		Motor(B35)		Flange		Installation Dimensions (mm)														Weight(kg)			
	Model	Model	kw	DN1	DN2	a	h1	h2	L1	L2	L	A	B	H	HD	m1	m2	n1	n2	S1	S2	Pump	Motor	Total
1	EAZS32/13-00554	Y2-801-4	0.55	50	32	80	112	140	152	167	407	125	100	80	220	100	70	190	140	14	10	27	16	43
2	EAZS32/13-01102	Y2-802-2	1.1	50	32	80	112	140	152	167	407	125	100	80	220	100	70	190	140	14	10	27	17	44
3	EAZS32/13-01502	Y2-90S-2	1.5	50	32	80	112	140	152	173	422	140	100	90	250	100	70	190	140	14	10	27	21	48
4	EAZS32/13-02202	Y2-90L-2	2.2	50	32	80	112	140	152	173	447	140	125	90	250	100	70	190	140	14	10	27	26	52
5	EAZS40/13-00554	Y2-801-4	0.55	65	40	80	112	140	152	167	407	125	100	80	220	100	70	210	160	14	10	29	16	45
6	EAZS40/13-01502	Y2-90S-2	1.5	65	40	80	112	140	152	173	422	140	100	90	250	100	70	210	160	14	10	30	21	51
7	EAZS40/13-02202	Y2-90L-2	2.2	65	40	80	112	140	152	173	447	140	125	90	250	100	70	210	160	14	10	30	26	55
8	EAZS40/13-03002	Y2-100L-2	3	65	40	80	112	140	164	192	489	160	140	100	270	100	70	210	160	14	12	32	44	76
9	EAZS40/13-04002	Y2-112M-2	4	65	40	80	112	140	164	199	504	190	140	112	300	100	70	210	160	14	12	32	43	75
10	EAZS50/13-00554	Y2-801-4	0.55	65	50	100	132	160	152	167	407	125	100	80	220	100	70	240	190	14	10	30	16	46
11	EAZS50/13-00754	Y2-802-4	0.75	65	50	100	132	160	152	167	407	125	100	80	220	100	70	240	190	14	10	30	17	47
12	EAZS50/13-01104	Y2-90S-4	1.1	65	50	100	132	160	152	173	422	140	100	90	250	100	70	240	190	14	10	31	22	54
13	EAZS50/13-03002	Y2-100L-2	3	65	50	100	132	160	164	192	489	160	140	100	270	100	70	240	190	14	12	39	44	83
14	EAZS50/13-04002	Y2-112M-2	4	65	50	100	132	160	164	199	504	190	140	112	300	100	70	240	190	14	12	39	43	82
15	EAZS50/13-05502	Y2-132S1-2	5.5	65	50	100	132	160	187	241	577	216	140	132	345	100	70	240	190	14	12	40	65	105
16	EAZS50/13-07502	Y2-132S2-2	7.5	65	50	100	132	160	187	241	577	216	140	132	345	100	70	240	190	14	12	40	69	109
17	EAZS65/13-00754	Y2-802-4	0.75	80	65	100	160	180	152	154.5	407	125	100	80	220	125	95	280	212	14	10	36	17	53
18	EAZS65/13-01104	Y2-90S-4	1.1	80	65	100	160	180	152	160.5	422	140	100	90	250	125	95	280	212	14	10	37	22	60
19	EAZS65/13-01504	Y2-90L-4	1.5	80	65	100	160	180	152	160.5	447	140	125	90	250	125	95	280	212	14	10	37	27	64
20	EAZS65/13-05502	Y2-132S1-2	5.5	80	65	100	160	180	187	228.5	577	216	140	132	345	125	95	280	212	14	12	46	65	111
21	EAZS65/13-07502	Y2-132S2-2	7.5	80	65	100	160	180	187	228.5	577	216	140	132	345	125	95	280	212	14	12	46	69	115
22	EAZS65/13-11002	Y2-160M1-2	11	80	65	100	160	180	219	279.5	724	254	210	160	420	125	95	280	212	14	15	54	108	162
23	EAZS32/16-00554	Y2-801-4	0.55	50	32	80	132	160	152	167	407	125	100	80	220	100	70	240	190	14	10	31	16	48
24	EAZS32/16-00754	Y2-802-4	0.75	50	32	80	132	160	152	167	407	125	100	80	220	100	70	240	190	14	10	31	17	49
25	EAZS32/16-02202	Y3-90L-2	2.2	50	32	80	132	160	152	173	447	140	125	90	250	100	70	240	190	14	10	32	26	57
26	EAZS32/16-03002	Y2-100L-2	3	50	32	80	132	160	164	192	489	160	140	100	270	100	70	240	190	14	12	33	44	77
27	EAZS32/16-04002	Y2-112M-2	4	50	32	80	132	160	164	199	504	190	140	112	300	100	70	240	190	14	12	33	43	76
28	EAZS32/16-05502	Y2-132S1-2	5.5	50	32	80	132	160	187	241	577	216	140	132	345	100	70	240	190	14	15	38	65	103
29	EAZS40/16-00554	Y2-801-4	0.55	65	40	80	132	160	152	167	407	125	100	80	220	100	70	240	190	14	10	32	16	48
30	EAZS40/16-00754	Y2-802-4	0.75	65	40	80	132	160	152	167	407	125	100	80	220	100	70	240	190	14	10	32	17	49
31	EAZS40/16-01104	Y2-90S-4	1.1	65	40	80	132	160	152	173	422	140	100	90	250	100	70	240	190	14	10	33	22	56
32	EAZS40/16-03002	Y2-100L-2	3	65	40	80	132	160	164	192	489	160	140	100	270	100	70	240	190	14	12	35	44	79
33	EAZS40/16-04002	Y2-112M-2	4	65	40	80	132	160	164	199	504	190	140	112	300	100	70	240	190	14	12	35	43	78
34	EAZS40/16-05502	Y2-132S1-2	5.5	65	40	80	132	160	187	241	577	216	140	132	345	100	70	240	190	14	12	39	65	104



EAZS Installation Dimensions (60HZ)

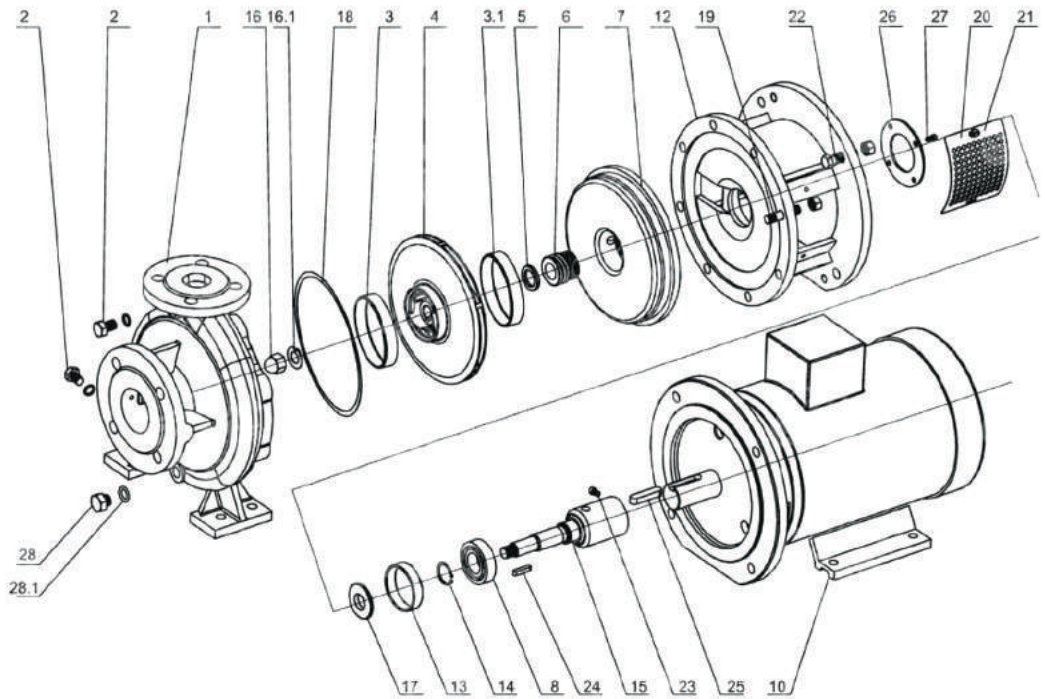


Flange Dimensions (ISO7005.2 DIN2501 PN16 GB/T17241.6 PN1.6)									
DN1/DN2	32	40	50	65	80	100	125	150	200
D1/D2	140	150	165	185	200	220	250	285	340
K1/K2	100	110	125	145	160	180	210	240	295
n-d1/n-d2	4-φ 18	4-φ 18	4-φ 18	4-φ 18	8-φ 18	8-φ 18	8-φ 18	8-φ 22	12-φ 22

N O	EAZS Series		Motor(B35)		Flange		Installation Dimensions (mm)																Weight(kg)																					
	Model	Model	kw		DN1	DN2	a	h1	h2	L1	L2	L	A	B	H	HD	m1	m2	n1	n2	S1	S2	Pump	Motor	Total																			
1	EAZS32/13-00554	Y2-80L-4	0.55	50	32		80	112	140	152	167	407	125	100	80	220	100	70	190	140	14	10	27	16	43																			
2	EAZS32/13-01502	Y2-90S-2	1.5													173						422	140	100	90	250	27	21	48															
3	EAZS32/13-02202	Y2-90L-2	2.2													447						140	125	100	90	250	27	26	52															
4	EAZS32/13-03002	Y2-100L-2	3		65	40								164	192	489			160	140		100	270	100	70	210	160		12	29	44	73												
5	EAZS32/13-04002	Y2-112M-2	4																				199						504	190	140	112	300	29	43	72								
6	EAZS40/13-00554	Y2-80L-4	0.55																				167						407	125	100	80	220	29	16	45								
7	EAZS40/13-00754	Y2-80Z-4	0.75											85								152	173			422	140		100	90	250	100	70	210	160		10	28	17	47				
8	EAZS40/13-01104	Y2-90S-4	1.1																												447						140	125	100	90	250	30	22	52
9	EAZS40/13-02202	Y2-90L-2	2.2																												162						489	160	140	100	270	30	26	55
10	EAZS40/13-03002	Y2-100L-2	3		65	40							164									192	489	160	140	100	270	100	70	210	160				12		32	44	76					
11	EAZS40/13-04002	Y2-112M-2	4																								199								504		190	112	300	32	43	75		
12	EAZS40/13-05002	Y2-132S1-2	5.5																								187								241		577	216	140	132	345	38	65	103
13	EAZS40/13-07502	Y2-132S2-2	7.5		65	50							152									167	407	125	100	80	220	100	70	240	190				10		30	17	47					
14	EAZS50/13-00754	Y2-80Z-4	0.75																								173								422		140	100	90	250	31	22	54	
15	EAZS50/13-01104	Y2-90S-4	1.1																								447								140		125	100	90	250	31	27	58	
16	EAZS50/13-01504	Y2-90L-4	1.5	65			50							187	241	577	216	140	132	345	100	70	240	190		12	40			65	105													
17	EAZS50/13-05502	Y2-132S1-2	5.5																	152						160.5	447			140	100	125	100		90	250	31	27	84					
18	EAZS50/13-07502	Y2-132S2-2	7.5																	164						179.5	489			160	140	100	270		125	95	280	212	12	39	34	73		
19	EAZS50/13-11002	Y2-160M1-2	11	80			65	100	100				100	219	292	724	254	210	180	420	100	70	240	190		15	54			108	162													
20	EAZS65/13-01104	Y2-90S-4	1.1																152	160.5						447	140			100	125	100	90		250	31	27	84						
21	EAZS65/13-01504	Y2-90L-4	1.5																164	179.5						489	160			140	100	270	125		95	280	212	12	39	34	73			
22	EAZS65/13-02204	Y2-100L-4	2.2											219	279.5	724	254	210	180	420						100	70	240	190		15	54	108	162										
23	EAZS65/13-11002	Y2-100M1-2	11											167	407	125	100	80	220	31											16	46												
24	EAZS65/13-12002	Y2-100M2-2	15						173	422	140	100	90	250	31	17	49																											
25	EAZS32/16-00554	Y2-80L-4	0.55	50	32	80	132	160	152	167	407	125	100	80	220	100	70	240	190		10	32	22	54																				
26	EAZS32/16-00754	Y2-80Z-4	0.75												173						422	140	100	90	250						32	22	54											
27	EAZS32/16-01104	Y2-90S-4	1.1																																									
28	EAZS32/16-01504	Y2-90L-4	1.5											167	407						125	100	80	220																				



EAZS Series Explode View & List of Parts



Code	Part Name	Code	Part Name
1	Casing	16	Impeller Nut
2	Plug & Washer	16.1	Lock Washer
3	Wear Ring (Front)	17	Rubber Slinger
3.1	Wear Ring (Back)	18	Casing Gasket
4	Impeller	19	Screw Bolt
5	Seal Seat	20	Guard
6	Mech. Seal	21	Screw
7	Casing Cover	22	Screw Bolt & Nut
8	Bearing	23	Screw
10	B35 Motor	24	Key
12	Adapler	25	Key
13	Rubber Check	26	Bearing Cover
14	External Circlips	27	Screw
15	Shaft	28	Plug & Washer



EAZS (50HZ)

EAZS Model	Capacity		Head m	Speed r/min	Power(kw)		Eff %	Impeller Dia. mm	(NPSH)r m
	m ³ /h	L/s			Shaft	Motor			
EAZS32/13-02202	9.0	2.50	26.0	2900	1.23	1.5	52	139	1.4
	15.0	4.17	24.0		1.61	2.2	61		1.7
	18.0	5.00	22.5		1.78	2.2	62		2.5
EAZS32/13-02202	8.4	2.34	22.0	2900	0.98	1.5	51.5	130	1.4
	14.0	3.90	19.7		1.25	1.5	60		1.7
	16.8	4.68	18.0		1.36	2.2	60.5		2.5
EAZS32/13-01502	7.8	2.16	18.0	2900	0.75	1.1	51	120	1.4
	13.0	3.60	16.2		0.98	1.1	58.5		1.7
	15.6	4.32	14.5		1.06	1.5	58		2.5
EAZS32/13-01102	7.1	1.98	14.8	2900	0.57	1.1	50	110	1.4
	11.9	3.30	13.0		0.74	1.1	57		1.7
	14.3	3.96	11.4		0.80	1.1	55.5		2.5
EAZS32/13-01102	6.5	1.80	11.7	2900	0.43	0.75	48	100	1.4
	10.8	3.00	10.1		0.57	0.75	52		1.7
	13.0	3.60	8.7		0.59	1.1	52		2.5
EAZS32/16-05502	10.8	3.00	42.0	2900	2.66	3	46.5	174	1.9
	18.0	5.00	39.0		3.41	4	56		2.2
	21.6	6.00	36.5		3.79	5.5	56.7		3.7
EAZS32/16-04002	10.2	2.84	37.0	2900	2.27	3	45.5	165	1.9
	17.1	4.74	34.6		2.90	3	55.5		2.2
	20.5	5.69	32.1		3.18	4	56.3		3.7
EAZS32/16-04002	9.6	2.67	32.3	2900	1.92	3	44	155	1.9
	16.0	4.45	30.5		2.44	3	54.5		2.2
	19.2	5.34	28.7		2.68	4	56		3.7
EAZS32/16-03002	9.0	2.50	28.3	2900	1.61	2.2	43	145	1.9
	15.0	4.17	26.5		2.04	3	53		2.2
	18.0	5.00	25.0		2.25	3	54.5		3.7
EAZS32/16-02202	8.4	2.33	24.6	2900	1.40	2.2	40	135	1.9
	14.0	3.88	22.7		1.69	2.2	51		2.2
	16.8	4.68	21.4		1.86	2.2	52.5		3.7
EAZS32/16-02202	7.8	2.16	20.5	2900	1.11	1.1	39	125	1.9
	12.9	3.59	19.2		1.39	2.2	48.5		2.2
	15.5	4.31	18.0		1.49	2.2	51		3.7
EAZS32/20-11002	10.8	3.00	64.2	2900	4.84	5.5	39	214	1.7
	18.0	5.00	58.5		5.92	7.5	48.4		2
	21.6	6.00	54.1		6.59	11	48.3		2.3
EAZS32/20-07502	10.3	2.87	58.3	2900	4.25	5.5	38.6	205	1.6
	17.2	4.79	53.0		5.16	7.5	48.2		1.95
	20.7	5.75	48.3		5.66	7.5	48.1		2.2
EAZS32/20-07502	9.8	2.73	52.2	2900	3.62	5.5	38.6	195	1.6
	16.4	4.56	47.7		4.48	7.5	47.5		1.95
	19.7	5.47	43.2		4.92	7.5	47		2.2
EAZS32/20-05502	9.3	2.59	47.2	2900	3.24	4	37	185	1.6
	15.6	4.32	42.5		3.87	5.5	46.5		1.95
	18.7	5.19	38.2		4.22	5.5	46		2.2
EAZS32/20-05502	8.8	2.45	42.2	2900	2.82	4	36	175	1.6
	14.7	4.09	38.0		3.39	5.5	45		1.95
	17.7	4.91	34.2		3.72	5.5	44.2		2.2
EAZS32/20-04002	8.3	2.31	37.5	2900	2.40	2.2	35.5	165	1.6
	13.9	3.86	33.8		2.97	4	43		1.95
	16.7	4.63	30.4		3.17	4	43.4		2.2
EAZS32/26-18502	16.2	4.50	89.3	2900	11.76	15	33.5	264	2.1
	27.0	7.50	82.0		14.52	18.5	41.5		2.6
	32.4	9.00	75.3		16.28	18.5	40.8		3.1
EAZS32/26-18502	15.8	4.35	83.6	2900	10.79	15	33	255	2.1
	26.1	7.24	76.0		13.39	15	40.3		2.6
	31.3	8.69	70.5		14.83	18.5	40.5		3.1



EAZS	Capacity		Head	Speed	Power(kw)		Eff	Impeller Dia.	(NPSH)r
	m ³ /h	L/s			m	r/min			
EAZS32/26-15002	15.0	4.18	77.5	2900	10.23	15	31	245	2.1
	25.1	6.96	70.2		12.12	15	39.5		2.6
	30.1	8.35	65.0		13.23	15	40.2		3.1
EAZS32/26-15002	14.4	4.01	72.0	2900	9.12	15	31	235	2.1
	24.0	6.68	65.0		10.90	15	39		2.6
	28.8	8.01	59.8		11.74	15	40		3.1
EAZS32/26-15002	13.8	3.84	66.0	2900	8.13	11	30.5	225	2.1
	23.0	6.39	59.6		9.95	15	37.5		2.6
	27.6	7.67	54.8		10.84	15	38		3.1
EAZS32/26-11002	13.2	3.66	60.8	2600	7.28	11	30	215	2.1
	22.0	6.11	55.0		9.09	11	36.2		2.6
	26.4	7.33	51.0		9.90	11	37		3.1
EAZS32/26-11002	12.6	3.49	58.0	2600	6.97	11	28.5	205	2.1
	21.0	5.82	50.8		8.40	11	34.5		2.6
	25.2	6.99	46.2		9.04	11	35		3.1
EAZS40/13-04002	18.0	5.00	25.3	2500	2.03	2.2	61	139	1.8
	30.0	8.33	23.5		2.63	3	73		2
	36.0	10.00	21.8		2.91	4	73.5		3
EAZS40/13-03002	18.8	4.67	22.0	2600	1.63	2.2	62	130	1.8
	28.0	7.79	20.2		2.11	3	73.2		2
	33.7	9.35	18.5		2.32	3	73.2		3
EAZS40/13-02202	15.5	4.31	18.5	2600	1.28	1.5	61	120	1.8
	25.9	7.19	17.0		1.64	2.2	73		2
	31.1	8.63	15.3		1.77	2.2	73		3
EAZS40/13-02202	14.2	3.96	16.5	2600	1.00	1.5	60	110	1.8
	23.7	6.59	13.7		1.23	1.5	72		2
	28.5	7.91	12.2		1.31	2.2	72		3
EAZS40/13-01502	12.9	3.60	12.5	2600	0.76	1.1	58	100	1.8
	21.6	5.99	11.0		0.92	1.5	70		2
	25.9	7.19	9.5		0.97	1.5	69		3
EAZS40/16-07502	18.0	5.00	39.5	2900	3.39	5.5	57	174	1.5
	30.0	8.33	35.0		4.46	5.5	64		2.2
	36.0	10.00	31.5		5.02	7.5	61.5		3.3
EAZS40/16-05502	17.1	4.74	34.8	2900	2.89	4	56	165	1.5
	28.4	7.90	30.5		3.74	5.5	63.2		2.2
	34.1	9.48	27.6		4.20	5.5	61		3.3
EAZS40/16-04002	16.0	4.45	30.5	2900	2.42	4	55	155	1.5
	26.7	7.42	26.5		3.15	4	61.2		2.2
	32.1	8.90	23.4		3.46	4	59		3.3
EAZS40/16-04002	15.0	4.17	26.7	2900	2.06	3	53	145	1.5
	25.0	6.94	22.5		2.62	4	58.5		2.2
	30.0	8.33	19.5		2.84	4	56		3.3
EAZS40/16-03002	14.0	3.88	23.1	2900	1.76	3	50	135	1.5
	23.3	6.46	19.5		2.17	3	57		2.2
	27.9	7.76	16.5		2.28	3	55		3.3
EAZS40/16-03002	12.9	3.59	19.5	2900	1.43	3	48	125	1.5
	21.5	5.98	16.0		1.71	3	55		2.2
	25.9	7.18	13.5		1.86	3	51		3.3
EAZS40/20-11002	18.0	5.00	61.5	2900	6.28	7.5	48	214	1.8
	30.0	8.33	56.5		7.95	11	58		2
	36.0	10.00	53.0		8.88	11	58.5		2.7
EAZS40/20-11002	17.2	4.79	55.4	2900	5.42	7.5	48	205	1.8
	28.7	7.98	51.0		6.94	11	57.5		2
	34.5	9.58	47.3		7.65	11	58		2.7
EAZS40/20-11002	16.4	4.55	49.5	2900	4.70	5.5	47	195	1.8
	27.3	7.59	47.5		6.25	7.5	56.5		2
	32.8	9.11	42.0		6.58	11	57		2.7
EAZS40/20-07502	15.6	4.32	44.6	2900	4.10	7.5	46	185	1.8
	25.9	7.20	40.5		5.15	7.5	55.5		2
	31.1	8.64	36.5		5.62	7.5	55		2.7
EAZS40/20-07502	14.7	4.09	39.9	2900	3.55	5.5	45	175	1.8
	24.5	6.81	36.0		4.45	7.5	54		2
	29.4	8.17	32.2		4.82	7.5	53.5		2.7



EAZS	Capacity		Head	Speed	Power(kw)		Eff	Impeller Dia.	(NPSH)r
	m ³ /h	L/s			m	r/min			
EAZS40/20-05502	13.9	3.85	35.4	2900	3.01	5.5	44.5	165	1.8
	23.1	6.42	31.5		3.81	5.5	52		2
	27.7	7.71	28.2		4.14	5.5	51.5		2.7
EAZS40/26-22002	21.6	6.00	93.0	2900	13.67	15	40	264	1.8
	36.0	10.00	86.5		16.62	18.5	51		2
	43.2	12.00	81.5		18.08	22	53		2.5
EAZS40/26-18502	20.9	5.80	86.0	2900	12.21	15	40	255	1.8
	34.8	9.66	80.0		15.06	18.5	50.3		2
	41.7	11.59	74.5		16.18	18.5	52.3		2.5
EAZS40/26-18502	20.0	5.57	78.3	2900	10.96	15	39	245	1.8
	33.4	9.28	72.0		13.10	15	50		2.0
	40.1	11.14	66.0		14.12	18.5	51		2.5
EAZS40/26-15002	19.2	5.34	71.0	2900	9.78	15	38	235	1.8
	32.0	8.90	66.2		11.91	15	48.5		2
	38.5	10.68	60.7		12.71	15	50		2.5
EAZS40/26-15002	18.4	5.11	65.1	2900	8.58	11	38	225	1.8
	30.7	8.52	60.2		10.48	15	48		2
	36.8	10.23	55.7		11.50	15	48.5		2.5
EAZS40/26-15002	17.6	4.89	59.4	2900	7.59	11	37.5	215	1.8
	29.3	8.14	54.3		9.22	11	47		2
	35.2	9.77	50.8		10.25	15	47.5		2.5
EAZS40/26-11002	16.8	4.66	54.0	2900	6.57	11	37.5	205	1.8
	28.0	7.77	49.5		8.19	11	46		2
	33.5	9.32	45.5		8.94	11	46.5		2.5
EAZS40/32-45002	21.6	6.00	155.0	2900	27.21	30	33.5	329	2.7
	36.0	10.00	148.0		34.13	37	42.5		3.2
	43.2	12.00	140.0		37.42	45	44		4.8
EAZS40/32-37002	20.7	5.74	139.0	2900	24.45	30	32	315	2.7
	34.5	9.57	133.0		30.07	37	41.5		3.2
	41.4	11.49	126.0		32.84	37	43.2		4.8
EAZS40/32-37002	19.7	5.47	124.5	2900	21.53	30	31	300	2.7
	32.8	9.12	118.0		26.04	30	40.5		3.2
	39.4	10.94	114.0		29.11	37	42		4.8
EAZS40/32-30002	18.7	5.20	111.0	2900	18.85	22	30	285	2.7
	31.2	8.66	107.0		23.00	30	39.5		3.2
	37.4	10.40	100.0		25.47	30	40		4.8
EAZS40/32-30002	17.7	4.92	99.0	2900	17.06	22	28	270	2.7
	29.5	8.21	95.0		19.59	30	39		3.2
	35.5	9.85	88.0		21.78	30	39		4.8
EAZS40/32-22002	16.7	4.65	88.0	2900	14.58	18.5	27.5	255	2.7
	27.9	7.75	81.5		16.96	22	36.5		3.2
	33.5	9.30	75.0		17.99	22	38		4.8
EAZS50/13-07502	36.0	10.00	26.0	2900	3.89	5.5	65.5	139	1.95
	60.0	16.67	23.0		4.82	7.5	78		2.5
	72.0	20.00	20.5		5.36	7.5	75		3.3
EAZS50/13-05502	33.7	9.35	22.0	2900	3.13	4	64.5	130	1.95
	56.1	15.59	18.6		3.79	5.5	75		2.5
	67.4	18.71	16.1		4.10	5.5	72		3.3
EAZS50/13-04002	31.1	8.63	18.3	2900	2.46	4	63	120	1.95
	51.8	14.39	15.0		2.94	4	72		2.5
	62.2	17.27	12.3		3.06	4	68		3.3
EAZS50/13-03002	28.5	7.92	15.0	2900	1.88	3	62	110	1.95
	47.5	13.19	11.6		2.17	3	69		2.5
	57.0	15.83	9.6		2.31	3	64.5		3.3
EAZS50/16-11002	39.0	10.83	42.3	2900	6.96	11	64.5	174	1.8
	65.0	18.05	38.0		8.96	11	75		2.8
	78.0	21.66	33.8		10.11	11	71		3.2



EAZS	Capacity		Head	Speed	Power(kw)		Eff	Impeller Dia.	(NPSH)r
	m ³ /h	L/s			m	r/min			
EAZS50/16-11002	37.0	10.27	37.5	2900	5.99	7.5	63	165	1.8
	61.6	17.12	33.2		7.68	11	72.5		2.8
	73.9	20.54	29.5		8.73	11	68		3.2
	34.7	9.65	33.3		5.25	7.5	60		1.8
EAZS50/16-11002	57.9	16.08	29.2	2900	6.67	11	69	155	2.8
	69.5	19.29	25.8		7.28	11	67		3.2
	32.5	9.03	28.7		4.30	5.5	59		1.8
EAZS50/16-07502	54.2	15.04	25.0	2900	5.46	7.5	67.5	145	2.8
	65.0	18.05	22.1		6.01	7.5	65		3.2
	30.2	8.40	24.5		3.48	5.5	58		1.8
EAZS50/16-07502	50.4	14.00	20.8	2900	4.46	5.5	64	135	2.8
	60.5	16.81	18.3		4.86	7.5	62		3.2
	28.0	7.78	20.5		2.95	4	53		1.8
EAZS50/16-05502	46.7	12.97	16.8	2900	3.44	5.5	62	125	2.8
	56.0	15.56	14.2		3.64	5.5	59.5		3.2
	36.0	10.00	62.0		10.48	15	58		2.2
EAZS50/20-18502	60.0	16.67	56.0	2900	13.07	15	70	214	3.2
	72.0	20.00	51.0		14.70	18.5	68		4
	34.5	9.58	56.3		8.81	11	60		2.2
EAZS50/20-15002	57.5	15.97	50.3	2900	11.53	15	68.3	205	3.2
	69.0	19.16	44.7		12.82	15	65.5		4
	32.8	9.11	51.3		7.77	11	59		2.2
EAZS50/20-15002	54.7	15.19	44.7	2900	10.01	15	66.5	195	3.2
	65.6	18.23	40.0		11.16	15	64		4
	31.1	8.65	46.2		6.75	11	58		2.2
EAZS50/20-11002	51.9	14.41	40.2	2900	8.67	11	65.5	185	3.2
	62.3	17.29	35.4		9.68	11	62		4
	29.4	8.18	41.3		5.86	7.5	56.5		2.2
EAZS50/20-11002	49.1	13.63	36.2	2900	7.56	7.5	64	175	3.2
	58.9	16.36	31.4		8.60	11	58.5		4
	27.8	7.71	36.7		5.14	7.5	54		2.2
EAZS50/20-07502	46.3	12.85	32.2	2900	6.76	7.5	60	165	3.2
	55.5	15.42	27.5		7.42	7.5	56		4
	39.0	10.83	97.5		20.29	30	51		1.7
EAZS50/26-37002	65.0	18.05	91.5	2900	26.32	30	61.5	264	2.5
	78.0	21.66	87.0		29.31	37	63		3.2
	37.7	10.46	90.5		18.19	22	51		1.7
EAZS50/26-30002	62.8	17.43	84.0	2900	23.53	30	61	255	2.5
	75.3	20.92	79.5		26.29	30	62		3.2
	36.2	10.05	84.0		16.55	18.5	50		1.7
EAZS50/26-30002	60.3	16.75	78.0	2900	21.34	30	60	245	2.5
	72.4	20.10	73.0		23.57	30	61		3.2
	34.7	9.64	77.5		14.79	18.5	49.5		1.7
EAZS50/26-30002	57.8	16.07	71.0	2900	18.95	22	59	235	2.5
	69.4	19.28	66.0		20.78	30	60		3.2
	33.2	9.23	71.0		13.10	15	49		1.7
EAZS50/26-22002	55.4	15.38	65.0	2900	17.05	22	57.5	225	2.5
	66.5	18.46	60.5		18.54	22	59		3.2
	31.8	8.82	65.0		11.70	15	48		1.7
EAZS50/26-18502	52.9	14.70	59.4	2900	15.14	18.5	56.5	215	2.5
	63.5	17.64	55.2		16.60	18.5	57.5		3.2
	30.3	8.41	59.0		10.35	15	47		1.7
EAZS50/26-18502	50.5	14.02	53.5	2900	13.36	18.5	55	205	2.5
	60.5	16.82	49.8		14.66	18.5	56		3.2
	54.0	15.00	151.5		41.63	45	53.5		2.8
EAZS50/32-75002	90.0	25.00	136.0	2900	54.62	55	61	329	4.5
	108.0	30.00	124.0		62.86	75	58		7
	51.7	14.36	139.0		37.26	45	52.5		2.8
EAZS50/32-75002	86.2	23.94	125.0	2900	48.71	55	60.2	315	4.5
	103.4	28.72	113.5		54.61	75	58.5		7



EASZ	Capacity		Head m	Speed r/min	Power(kw)		Eff %	Impeller Dia. mm	(NPSH) r
	m ³ /h	L/s			Shaft	Motor			
EASZ50/32-55002	49.2	13.68	126.0	2900	32.79	37	51.5	300	2.8
	82.1	22.80	113.0		42.79	45	59		4.5
	98.5	27.36	102.5		47.79	55	57.5		7
EASZ50/32-45002	46.8	12.99	114.0	2900	28.75	30	50.5	285	2.8
	78.0	21.66	101.0		36.96	37	58		4.5
	93.6	25.99	92.0		41.47	45	56.5		7
EASZ50/32-45002	44.3	12.31	101.5	2900	24.99	30	49	270	2.8
	73.9	20.52	90.5		32.21	37	56.5		4.5
	88.6	24.62	82.0		35.33	45	56		7
EASZ50/32-37002	41.9	11.63	90.5	2900	21.26	22	48.5	255	2.8
	69.8	19.38	80.0		27.62	30	55		4.5
	83.7	23.25	72.5		30.31	37	54.5		7
EASZ65/13-11002	60.0	16.67	24.5	2900	5.89	7.5	68	139	3
	100.0	27.78	20.5		7.06	11	79		3.75
	120.0	33.34	17.2		7.39	11	76		4.2
EASZ65/13-07502	56.1	15.59	20.6	2900	4.63	7.5	68	130	3
	93.5	25.98	16.2		5.38	7.5	76.6		3.75
	112.2	31.18	13.0		5.59	7.5	71		4.2
EASZ65/13-05502	51.8	14.39	17.2	2900	3.68	5.5	66	120	3
	86.3	23.98	13.2		4.25	5.5	73		3.75
	103.6	28.78	10.2		4.29	5.5	67		4.2
EASZ65/16-15002	60.0	16.67	39.7	2900	9.83	15	66	174	2.7
	100.0	27.78	34.0		12.34	15	75		3.5
	120.0	33.34	29.6		13.16	15	73.5		4.1
EASZ65/16-15002	56.9	15.81	36.0	2900	8.32	11	67	165	2.7
	94.8	26.34	30.0		10.47	15	74		3.5
	113.8	31.61	25.8		11.02	15	72.5		4.1
EASZ65/16-11002	53.5	14.85	32.0	2900	7.16	11	65	155	2.7
	89.1	24.75	26.2		8.75	11	72.6		3.5
	106.9	29.70	21.8		9.06	11	70		4.1
EASZ65/16-11002	50.0	13.89	28.0	2900	6.05	7.5	63	145	2.7
	83.3	23.15	22.2		7.09	11	71		3.5
	100.0	27.78	18.2		7.23	11	68.5		4.1
EASZ65/16-07502	46.6	12.93	24.2	2900	5.03	7.5	61	135	2.7
	77.6	21.55	19.2		5.89	7.5	69		3.5
	93.1	25.86	15.5		6.04	7.5	65		4.1
EASZ65/16-05502	43.1	11.97	20.7	2900	4.06	5.5	60	125	2.7
	71.8	19.96	16.0		4.67	5.5	67		3.5
	86.2	23.95	12.8		4.77	5.5	63		4.1
EASZ65/20-30002	66.0	18.33	64.2	2900	19.55	22	59	214	2.4
	110.0	30.55	56.5		23.08	30	73.3		3.7
	132.0	36.66	52.0		25.52	30	73.2		5.2
EASZ65/20-30002	63.2	17.56	58.2	2900	16.15	18.5	62	205	2.4
	105.4	29.27	50.5		19.84	30	73		3.7
	126.4	35.12	45.6		21.65	30	72.5		5.2
EASZ65/20-22002	60.1	16.70	52.9	2900	14.43	18.5	60	195	2.4
	100.2	27.84	46.0		17.31	22	72.5		3.7
	120.3	33.41	41.4		18.82	22	72		5.2
EASZ65/20-22002	57.0	15.85	47.6	2900	12.32	15	60	185	2.4
	95.1	26.41	41.4		14.88	22	72		3.7
	114.1	31.69	37.3		16.19	22	71.5		5.2
EASZ65/20-18502	54.0	14.99	42.0	2900	10.46	15	59	175	2.4
	89.9	24.98	36.6		12.62	18.5	71		3.7
	107.9	29.98	32.7		13.63	18.5	70.5		5.2
EASZ65/20-15002	50.9	14.13	36.8	2900	8.94	11	57	165	2.4
	84.8	23.55	32.0		10.55	15	70		3.7
	101.8	28.27	28.0		11.41	15	68		5.2
EASZ65/26-55002	72.0	20.00	98.0	2900	30.49	37	63	264	2.4
	120.0	33.33	89.9		39.95	45	73.5		4.2
	144.0	40.00	82.3		45.12	55	71.5		5.8



EAZS	Capacity		Head	Speed	Power(kw)		Eff	Impeller Dia.	(NPSH)r
	m ³ /h	L/s			m	r/min			
EAZS65/26-45002	69.5	19.32	91.0	2900	27.78	37	62	255	2.4
	115.9	32.19	83.0		35.87	45	73		4.2
	139.1	38.63	76.0		40.53	45	71		5.8
EAZS65/26-45002	66.8	18.56	84.5	2900	25.19	30	61	245	2.4
	111.4	30.93	77.0		32.19	37	72.5		4.2
	133.6	37.12	70.0		35.86	45	71		5.8
EAZS65/26-37002	64.1	17.80	78.5	2900	23.21	30	59	235	2.4
	106.8	29.67	71.0		28.87	37	71.5		4.2
	128.2	35.60	64.0		31.67	37	70.5		5.8
EAZS65/26-37002	61.4	17.04	72.5	2900	20.88	30	58	225	2.4
	102.3	28.41	65.0		25.63	30	70.6		4.2
	122.7	34.09	59.0		28.16	37	70		5.8
EAZS65/26-30002	58.6	16.29	66.2	2900	18.38	22	57.5	215	2.4
	97.7	27.14	59.4		23.05	30	68.5		4.2
	117.3	32.57	50.8		24.95	30	65		5.8
EAZS65/26-30002	55.9	15.53	59.0	2900	16.32	22	55	205	2.4
	93.2	25.88	52.6		20.37	30	65.5		4.2
	111.8	31.06	48.0		22.48	30	65		5.8
EAZS65/32-90002	78.0	21.66	143.5	2900	56.41	75	54	329	3.1
	130.0	36.10	133.5		74.14	90	63.7		4.8
	156.0	43.32	124.0		82.25	90	64		6.8
EAZS65/32-90002	74.7	20.74	131.0	2900	49.76	55	53.5	315	3.1
	124.4	34.56	119.0		63.68	75	63.3		4.8
	149.3	41.48	110.0		70.63	90	63.3		6.8
EAZS65/32-75002	71.1	19.75	117.0	2900	43.97	55	51.5	300	3.1
	118.5	32.92	105.0		54.20	75	62.5		4.8
	142.2	39.50	95.3		59.50	75	62		6.8
EAZS65/32-75002	67.5	18.76	104.0	2900	37.50	45	51	285	3.1
	112.6	31.27	92.0		46.22	55	61		4.8
	135.1	37.53	82.6		50.63	75	60		6.8
EAZS65/32-55002	64.0	17.78	94.2	2900	32.82	45	50	270	3.1
	106.7	29.63	82.0		39.68	55	60		4.8
	128.0	35.55	71.7		43.44	55	57.5		6.8
EAZS65/32-45002	60.4	16.79	83.0	2900	27.87	37	49	255	3.1
	100.7	27.98	72.3		35.72	37	55.5		4.8
	120.9	33.58	62.2		37.55	45	54.5		6.8
EAZS80/16-30002	97.2	27.00	40.3	2900	15.23	18.5	70	174	2.7
	162.0	45.00	34.7		19.13	22	80		3.8
	194.4	54.00	29.3		20.95	30	74		5
EAZS80/16-22002	92.2	25.60	34.8	2900	12.94	18.5	67.5	165	2.7
	153.6	42.67	29.1		16.01	18.5	76		3.8
	184.3	51.21	24.2		17.60	22	69		5
EAZS80/16-18502	86.6	24.05	30.7	2900	11.49	15	63	155	2.7
	144.3	40.09	24.7		13.11	15	74		3.8
	173.2	48.10	20.1		14.36	18.5	66		5
EAZS80/16-15002	81.0	22.50	26.9	2900	9.55	11	62	145	2.7
	135.0	37.50	21.6		11.03	15	72		3.8
	162.0	45.00	17.4		11.99	15	64		5
EAZS80/16-11002	75.4	20.95	22.8	2900	8.07	11	58	135	2.7
	125.7	34.91	18.2		9.44	11	66		3.8
	150.8	41.90	14.4		9.85	11	60		5
EAZS80/20-45002	114.0	31.67	60.5	2900	28.02	37	67	214	3.1
	190.0	52.78	52.7		35.04	45	77.8		4.8
	228.0	63.34	46.0		38.85	45	73.5		5.8
EAZS80/20-37002	109.2	30.34	55.1	2900	25.20	30	65	205	4
	182.0	50.56	47.9		30.78	37	77.1		4.9
	218.4	60.67	41.5		34.04	37	72.5		5.85
EAZS80/20-37002	103.9	28.86	49.6	2900	22.62	30	62	195	4
	173.1	48.09	43.6		27.04	30	76		4.7
	207.8	57.71	37.6		29.54	37	72		5.5



EAZS	Capacity		Head	Speed	Power(kw)		Eff	Impeller Dia.	(NPSH)r
	m ³ /h	L/s			m	r/min			
EAZS80/20-30002	98.6	27.38	43.8	2900	18.95	30	62	185	4
	164.3	45.63	37.2		22.48	30	74		4.7
	197.1	54.75	31.8		24.73	30	69		5.5
EAZS80/26-30002	93.2	25.90	39.2	2900	15.07	18.5	66	175	4
	155.4	43.16	33.3		18.53	22	76		4.7
	186.5	51.79	28.5		19.26	30	75		5.5
EAZS80/20-22002	87.9	24.42	34.8	2900	12.73	15	65.5	165	4
	146.5	40.69	29.6		15.63	18.5	75.5		4.7
	175.8	48.83	25.3		16.25	22	74.5		5.5
EAZS80/26-75002	114.0	31.67	95.0	2900	45.01	55	65.5	264	2.6
	190.0	52.78	83.5		57.59	75	75		4.2
	228.0	63.34	74.0		63.79	75	72		5.8
EAZS80/26-75002	110.1	30.59	87.5	2900	40.35	55	65	255	3.95
	183.5	50.98	76.5		51.30	75	74.5		5.2
	220.2	61.18	69.0		56.51	75	73.2		6.25
EAZS80/26-55002	105.8	29.39	80.1	2900	36.05	45	64	245	3.9
	176.3	48.98	70.0		45.41	55	74		5
	211.6	58.78	62.0		50.09	55	71.3		6
EAZS80/26-55002	101.5	28.19	73.3	2900	32.14	45	63	235	3.9
	169.1	46.98	63.0		39.68	55	73.1		5
	203.0	56.38	55.1		42.88	55	71		6
EAZS80/26-45002	97.2	26.99	66.5	2900	28.37	37	62	225	3.9
	161.9	44.98	57.0		34.75	45	72.3		5
	194.3	53.98	49.6		37.22	45	70.5		6
EAZS80/26-37002	92.8	25.79	60.1	2900	24.90	30	61	215	3.9
	154.7	42.98	50.3		30.05	37	70.5		5
	185.7	51.58	44.5		32.13	37	70		6
EAZS80/26-37002	88.5	24.59	54.0	2900	21.87	30	59.5	205	3.9
	147.5	40.98	45.1		25.88	37	70		5
	177.1	49.18	39.8		27.60	37	69.5		6
EAZS80/32-90002	109.1	30.30	106.0	2900	52.46	75	60	285	3
	181.8	50.50	96.5		65.34	75	73.1		6.8
	218.2	60.60	88.0		73.61	90	71		9
EAZS80/32-75002	103.3	28.71	95.5	2900	45.08	55	59.6	270	3
	172.2	47.84	87.0		55.88	75	73		6.8
	206.7	57.41	79.2		63.21	75	70.5		9
EAZS80/32-75002	97.6	27.11	85.5	2900	38.50	45	59	255	3
	162.7	45.19	78.0		48.31	55	71.5		6.8
	195.2	54.22	70.0		53.14	75	70		9
EAZS100/16-30002	151.2	42.00	34.5	2900	21.04	30	67.5	176	4
	252.0	70.00	26.7		23.94	30	76.5		4.6
	302.4	84.00	20.8		24.12	30	71		6.1
EAZS100/16-22002	141.8	39.38	30.0	2900	17.41	22	66.5	165	4.9
	236.3	65.63	23.0		19.72	22	75		4.9
	283.5	78.75	17.7		20.09	22	68		5.4
EAZS100/16-18502	133.2	36.99	25.8	2900	14.39	18.5	65	155	4.8
	221.9	61.65	19.2		16.11	18.5	72		4.8
	266.3	73.98	14.6		16.16	18.5	65.5		5.3
EAZS100/16-15002	124.6	34.60	22.8	2900	12.08	15	64	145	4.7
	207.6	57.67	16.2		13.08	15	70		4.7
	249.1	69.20	12.0		13.13	15	62		5.2
EAZS100/20-75002	171.0	47.50	58.7	2900	39.04	45	70	214	3.9
	285.0	79.17	50.1		48.59	55	80		5.8
	342.0	95.00	42.0		52.49	75	74.5		6.9
EAZS100/20-55002	183.8	45.50	53.2	2900	34.38	45	69	205	3.9
	273.0	75.84	44.3		41.68	55	79		5.8
	327.6	91.01	37.0		44.90	55	73.5		6.9
EAZS100/20-45002	155.8	43.28	47.0	2900	29.32	37	68	195	3.9
	259.7	72.14	38.7		35.53	45	77		5.8
	311.6	86.57	31.5		37.91	45	70.5		6.9



EAZS	Capacity		Head m	Speed r/min	Power(kw)		Eff %	Impeller Dia. mm	(NPSH) _r m
	m ³ /h	L/s			Shaft	Motor			
EAZS100/20-37002	147.8	41.06	42.0	2900	25.61	30	66	185	3.9
	246.4	68.44	33.0		30.11	37	73.5		5.8
	295.7	82.13	26.3		31.36	37	67.5		6.9
EAZS100/20-30002	139.8	38.85	37.2	2900	22.48	30	63	175	3.9
	233.1	64.74	28.7		26.01	30	70		5.8
	279.7	77.69	21.8		25.93	30	64		6.9
EAZS100/20-30002	131.9	36.63	32.0	2900	19.30	30	59.5	165	3.9
	219.8	61.04	24.0		21.27	30	67.5		5.8
	263.7	73.25	18.0		21.54	30	60		6.9
EAZS100/26-90002	164.3	45.63	81.5	2900	56.94	75	64	245	3.9
	273.8	76.04	71.5		70.48	90	75.6		5.8
	328.5	91.25	63.0		76.13	90	74		7
EAZS100/26-75002	157.5	43.76	75.0	2900	51.04	75	63	235	3.9
	262.6	72.94	65.2		62.56	75	74.5		5.8
	315.1	87.53	56.8		67.20	75	72.5		7
EAZS100/26-75002	150.8	41.90	68.7	2900	45.52	55	62	225	3.9
	251.4	69.84	58.5		55.22	75	72.5		5.8
	301.7	83.80	50.5		59.25	75	70		7
EAZS100/26-75002	144.1	40.04	62.3	2900	39.75	55	61.5	215	3.9
	240.2	66.73	52.4		48.61	75	70.5		5.8
	288.3	80.08	44.5		51.36	75	68		7
EAZS100/26-55002	137.4	38.18	56.0	2900	36.12	45	58	205	3.9
	229.1	63.63	46.4		41.93	55	69		5.8
	274.9	76.35	38.0		45.13	55	63		7
EAZS125/20-90002	216.0	60.00	56.5	2900	55.84	75	59.5	214	4.7
	360.0	100.00	49.0		64.89	90	74		6.5
	432.0	120.00	42.5		68.94	90	72.5		7.2
EAZS125/20-75002	206.9	57.48	51.7	2900	50.21	55	58	205	4.7
	344.9	95.79	43.6		56.46	75	72.5		6.5
	413.8	114.95	37.0		58.46	75	71.3		7.2
EAZS125/20-55002	196.8	54.67	46.3	2900	43.52	55	57	195	4.7
	328.0	91.12	37.8		47.21	55	71.5		6.5
	393.6	109.35	31.5		48.92	55	69		7.2
EAZS125/20-45002	186.7	51.87	40.6	2900	38.22	45	54	185	4.7
	311.2	86.45	32.3		39.09	45	70		6.5
	373.5	103.74	26.2		40.36	45	66		7.2
EAZS32/13-00554	4.3	1.21	6.7	1450	0.17	0.55	47	139	1.7
	7.2	2.01	6.2		0.21	0.55	58		2
	8.7	2.41	5.8		0.23	0.55	59		2.1
EAZS32/13-00554	4.1	1.13	5.7	1450	0.14	0.55	46	130	1.7
	6.8	1.88	5.2		0.17	0.55	56.5		2
	8.1	2.26	4.8		0.18	0.55	58		2.1
EAZS32/13-00554	3.7	1.04	4.7	1450	0.11	0.55	45	120	1.7
	6.2	1.74	4.2		0.13	0.55	55		2
	7.5	2.08	3.9		0.14	0.55	56		2.1
EAZS32/13-00554	3.4	0.95	3.9	1450	0.08	0.55	45	110	1.7
	5.7	1.59	3.5		0.10	0.55	54		2
	6.9	1.91	3.1		0.11	0.55	54		2.1
EAZS32/13-00554	3.1	0.87	3.1	1450	0.06	0.55	44	100	1.7
	5.2	1.45	2.7		0.08	0.55	51		2
	6.2	1.74	2.3		0.08	0.55	52		2.1
EAZS32/16-00754	5.2	1.45	10.6	1450	0.32	0.55	47.5	174	1.8
	8.7	2.41	10.1		0.43	0.55	55		2
	10.4	2.89	9.5		0.48	0.75	56		2.2
EAZS32/16-00554	4.9	1.37	9.5	1450	0.28	0.55	45	165	1.8
	8.2	2.29	9.0		0.37	0.55	55		2
	9.9	2.74	8.5		0.41	0.55	55.5		2.2
EAZS32/16-00554	4.6	1.29	8.4	1450	0.24	0.55	44	155	1.8
	7.7	2.15	7.8		0.31	0.55	53.5		2
	9.3	2.58	7.3		0.34	0.55	54		2.2



EAZS	Capacity		Head m	Speed r/min	Power(kw)		Eff %	Impeller Dia. mm	(NPSH)r m
	m ³ /h	L/s			Shaft	Motor			
EAZS32/16-00554	4.3	1.21	7.4	1450	0.21	0.55	42	145	1.8
	7.2	2.01	6.8		0.26	0.55	51.5		2
	8.7	2.41	6.4		0.29	0.55	52		2.2
EAZS32/16-00554	4.0	1.12	6.4	1450	0.17	0.55	41.5	135	1.8
	6.7	1.87	5.9		0.22	0.55	49.5		2
	8.1	2.24	5.5		0.24	0.55	50		2.2
EAZS32/16-00554	3.7	1.04	5.5	1450	0.14	0.55	40	125	1.8
	6.2	1.73	5.1		0.18	0.55	47		2
	7.5	2.08	4.7		0.20	0.55	49		2.2
EAZS32/20-01104	5.2	1.45	16.0	1450	0.61	0.75	37	214	1.9
	8.7	2.41	14.7		0.75	1.1	46.5		2
	10.4	2.89	13.6		0.81	1.1	47.5		2.3
EAZS32/20-01104	5.0	1.39	14.6	1450	0.55	0.75	36	205	1.9
	8.3	2.31	13.2		0.65	1.1	46		2
	10.0	2.77	12.1		0.71	1.1	46.5		2.3
EAZS32/20-00754	4.7	1.32	13.2	1450	0.49	0.75	34.5	195	1.9
	7.9	2.20	11.9		0.57	0.75	45		2
	9.5	2.64	10.9		0.63	0.75	45		2.3
EAZS32/20-00754	4.5	1.25	11.9	1450	0.43	0.75	34	185	1.9
	7.5	2.08	10.8		0.55	0.75	40		2
	9.0	2.50	9.9		0.54	0.75	44.5		2.3
EAZS32/20-00554	4.3	1.18	10.6	1450	0.37	0.55	33.5	175	1.9
	7.1	1.97	9.6		0.44	0.55	42		2
	8.5	2.36	8.8		0.49	0.55	42		2.3
EAZS32/20-00554	4.0	1.11	9.5	1450	0.31	0.55	33	165	1.9
	6.7	1.86	8.6		0.39	0.55	40		2
	8.0	2.23	7.8		0.43	0.55	40		2.3
EAZS32/26-03004	6.6	1.83	23.7	1450	1.42	2.2	30	264	1.8
	11.0	3.05	22.4		1.76	2.2	38		2.1
	13.2	3.66	21.4		1.92	3	40		2.4
EAZS32/26-02204	6.4	1.77	21.8	1450	1.26	2.2	30	255	1.8
	10.6	2.95	20.9		1.63	2.2	37		2.1
	12.7	3.54	19.9		1.75	2.2	39.5		2.4
EAZS32/26-02204	6.1	1.70	20.2	1450	1.16	2.2	29	245	1.8
	10.2	2.83	19.3		1.45	2.2	37		2.1
	12.2	3.40	18.5		1.58	2.2	39		2.4
EAZS32/26-02204	5.9	1.63	18.6	1450	1.04	2.2	28.5	235	1.8
	9.8	2.71	17.8		1.32	2.2	36		2.1
	11.7	3.26	17.0		1.43	2.2	38		2.4
EAZS32/26-02204	5.6	1.56	17.1	1450	0.93	1.5	28	225	1.8
	9.4	2.60	16.3		1.19	1.5	35		2.1
	11.2	3.12	15.7		1.30	2.2	37		2.4
EAZS32/26-02204	5.4	1.49	15.9	1450	0.84	1.5	27.5	215	1.8
	8.9	2.48	15.1		1.08	1.5	34		2.1
	10.7	2.98	14.5		1.18	2.2	36		2.4
EAZS32/26-02204	5.1	1.42	14.8	1450	0.78	1.5	26.5	205	1.8
	8.5	2.37	14.0		0.98	1.5	33		2.1
	10.2	2.84	13.3		1.06	2.2	35		2.4
EAZS40/13-00554	8.7	2.42	6.4	1450	0.26	0.55	59	139	1.8
	14.5	4.03	6.0		0.33	0.55	71		2
	17.4	4.84	5.6		0.37	0.55	72		2.4
EAZS40/13-00554	8.1	2.26	5.6	1450	0.21	0.55	58	130	1.8
	13.6	3.77	5.2		0.27	0.55	71		2
	16.3	4.52	4.8		0.30	0.55	71		2.4
EAZS40/13-00554	7.5	2.09	4.8	1450	0.17	0.55	56	120	1.8
	12.5	3.48	4.3		0.21	0.55	69		2
	15.0	4.17	3.9		0.23	0.55	68.5		2.4
EAZS40/13-00554	6.9	1.91	4.0	1450	0.15	0.55	51	110	1.8
	11.5	3.19	3.6		0.18	0.55	64		2
	13.8	3.83	3.3		0.19	0.55	63.5		2.4



EASZ	Capacity		Head m	Speed r/min	Power(kw)		Eff %	Impeller Dia. mm	(NPSH)r m
	m ³ /h	L/s			Shaft	Motor			
EASZ40/13-00554	6.3	1.74	3.3	1450	0.11	0.55	50.5	100	1.8
	10.4	2.90	3.0		0.15	0.55	58		2
	12.5	3.48	2.6		0.15	0.55	58		2.4
EASZ40/16-01104	8.7	2.42	10.0	1450	0.40	0.55	59	174	1.8
	14.5	4.03	9.0		0.56	0.75	63		2
	17.4	4.84	8.1		0.62	1.1	61.5		2.4
EASZ40/16-00754	8.3	2.29	8.9	1450	0.35	0.55	57	165	1.8
	13.8	3.82	8.0		0.48	0.75	62		2
	16.5	4.59	7.2		0.54	0.75	60		2.4
EASZ40/16-00754	7.8	2.15	7.8	1450	0.29	0.55	56	155	1.8
	12.9	3.59	7.0		0.41	0.55	60		2
	15.5	4.31	6.3		0.46	0.75	58		2.4
EASZ40/16-00554	7.3	2.02	7.0	1450	0.28	0.55	50	145	1.8
	12.1	3.36	6.0		0.35	0.55	57		2
	14.5	4.03	5.4		0.39	0.55	55		2.4
EASZ40/16-00554	6.8	1.88	6.0	1450	0.23	0.55	48.5	135	1.8
	11.3	3.13	5.2		0.30	0.55	53		2
	13.5	3.75	4.4		0.32	0.55	50		2.4
EASZ40/16-00554	6.3	1.74	5.1	1450	0.20	0.55	43	125	1.8
	10.4	2.90	4.3		0.25	0.55	49		2
	12.5	3.47	3.6		0.27	0.55	45		2.4
EASZ40/20-01504	8.7	2.42	15.5	1450	0.77	1.1	48	214	1.8
	14.5	4.03	14.3		0.99	1.5	57		2.2
	17.4	4.84	13.2		1.09	1.5	57.5		2.5
EASZ40/20-01504	8.3	2.32	14.0	1450	0.66	1.1	48	205	1.8
	13.9	3.86	13.0		0.88	1.1	56		2.2
	16.7	4.63	12.0		0.96	1.5	57		2.5
EASZ40/20-01104	7.9	2.20	12.7	1450	0.60	1.1	46	195	1.8
	13.2	3.67	11.6		0.76	1.1	55		2.2
	15.9	4.41	10.8		0.84	1.1	55.5		2.5
EASZ40/20-01104	7.5	2.09	11.2	1450	0.50	0.75	45.5	185	1.8
	12.5	3.48	10.4		0.66	1.1	54		2.2
	15.1	4.18	9.6		0.72	1.1	54.5		2.5
EASZ40/20-00754	7.1	1.98	10.0	1450	0.44	0.75	44	175	1.8
	11.9	3.30	9.2		0.56	0.75	53		2.2
	14.2	3.95	8.4		0.61	0.75	53.5		2.5
EASZ40/20-00754	6.7	1.86	9.0	1450	0.38	0.55	43.5	165	1.8
	11.2	3.11	8.0		0.48	0.75	50.5		2.2
	13.4	3.73	7.3		0.52	0.75	51		2.5
EASZ40/26-03004	9.6	2.66	24.0	1450	1.65	2.2	38	264	1.8
	16.0	4.44	22.7		2.02	2.2	49		1.9
	19.2	5.33	21.7		2.22	3	51		2.2
EASZ40/26-03004	9.3	2.57	22.0	1450	1.50	2.2	37	255	1.8
	15.4	4.29	20.7		1.83	3	47.5		1.9
	18.5	5.15	19.6		1.98	3	50		2.2
EASZ40/26-02204	8.9	2.47	20.3	1450	1.37	2.2	36	245	1.8
	14.8	4.12	18.9		1.64	2.2	46.5		1.9
	17.8	4.94	18.0		1.76	2.2	49.5		2.2
EASZ40/26-02204	8.5	2.37	18.4	1450	1.26	2.2	34	235	1.8
	14.2	3.95	17.3		1.47	2.2	45.5		1.9
	17.1	4.74	16.4		1.57	2.2	48.5		2.2
EASZ40/26-02204	8.2	2.27	16.8	1450	1.13	1.5	33	225	1.8
	13.6	3.78	15.7		1.29	2.2	45		1.9
	16.3	4.54	15.0		1.42	2.2	47		2.2
EASZ40/26-02204	7.8	2.17	15.2	1450	1.01	1.5	32	215	1.8
	13.0	3.62	14.2		1.14	1.5	44		1.9
	15.6	4.34	13.5		1.23	2.2	46.5		2.2
EASZ40/26-02204	7.4	2.07	13.7	1450	0.93	1.5	30	205	1.8
	12.4	3.45	12.9		1.04	1.5	42		1.9
	14.9	4.14	12.2		1.10	2.2	45		2.2



EASZ	Capacity		Head	Speed	Power(kw)		Eff	Impeller Dia.	(NPSH)r
	m ³ /h	L/s			m	r/min			
EAZS40/32-05504	10.8	3.00	37.5	1450	3.56	5.5	31	329	2.1
	18.0	5.00	35.6		4.36	5.5	40		2.3
	21.6	6.00	33.8		4.73	5.5	42		2.5
EAZS40/32-05504	10.3	2.67	33.9	1450	3.13	4	30.5	315	2.1
	17.2	4.79	32.0		3.75	5.5	40		2.3
	20.7	5.74	30.5		4.09	5.5	42		2.5
EAZS40/32-05504	9.8	2.74	30.6	1450	2.73	4	30	300	2.1
	16.4	4.56	29.0		3.32	4	39		2.3
	19.7	5.47	27.6		3.61	5.5	41		2.5
EAZS40/32-04004	9.4	2.60	27.8	1450	2.36	3	30	285	2.1
	15.6	4.33	26.0		2.94	4	37.5		2.3
	18.7	5.20	24.4		3.11	4	40		2.5
EAZS40/32-04004	8.9	2.46	24.3	1450	1.99	3	29.5	270	2.1
	14.8	4.10	23.2		2.52	4	37		2.3
	17.7	4.92	21.5		2.66	4	39		2.5
EAZS40/32-03004	8.4	2.33	22.0	1450	1.93	3	26	255	2.1
	14.0	3.88	20.3		2.20	3	35		2.3
	16.7	4.65	19.6		2.41	3	37		2.5
EAZS50/13-01104	17.4	4.82	6.8	1450	0.54	0.75	59	139	2.2
	28.9	8.04	6.3		0.69	1.1	72		2.4
	34.7	9.65	5.8		0.75	1.1	73		2.7
EAZS50/13-00754	16.2	4.51	5.8	1450	0.44	0.75	58.5	130	2.2
	27.1	7.52	5.2		0.53	0.75	72		2.4
	32.5	9.02	4.7		0.58	0.75	72		2.7
EAZS50/13-00554	15.0	4.16	4.9	1450	0.33	0.55	62	120	2.2
	25.0	6.94	4.4		0.42	0.55	71		2.4
	30.0	8.33	3.8		0.45	0.55	69		2.7
EAZS50/13-00554	13.7	3.82	4.1	1450	0.25	0.55	61	110	2.2
	22.9	6.36	3.4		0.32	0.55	67		2.4
	27.5	7.64	2.8		0.33	0.55	64		2.7
EAZS50/16-01504	18.5	5.15	10.5	1450	0.81	1.1	65	174	2.1
	30.9	8.58	9.5		1.08	1.5	74		2.2
	37.1	10.30	8.8		1.27	1.5	70		2.4
EAZS50/16-01504	17.6	4.88	9.4	1450	0.71	1.1	64	165	2.1
	29.3	8.14	8.5		0.93	1.5	73		2.2
	35.1	9.76	7.8		1.02	1.5	73		2.4
EAZS50/16-01104	16.5	4.59	8.3	1450	0.61	1.1	61	155	2.1
	27.5	7.64	7.5		0.78	1.1	72		2.2
	33.0	9.17	6.9		0.86	1.1	72		2.4
EAZS50/16-01104	15.4	4.29	7.3	1450	0.52	0.75	59	145	2.1
	25.7	7.15	6.6		0.66	1.1	70		2.2
	30.9	8.58	6.0		0.71	1.1	71.5		2.4
EAZS50/16-00754	14.4	3.99	6.3	1450	0.43	0.55	57.5	135	2.1
	24.0	6.66	5.7		0.55	0.75	67.5		2.2
	28.8	7.99	5.0		0.58	0.75	67		2.4
EAZS50/16-00554	13.3	3.70	5.4	1450	0.35	0.55	56	125	2.1
	22.2	6.16	4.6		0.42	0.55	66		2.2
	26.6	7.40	4.0		0.45	0.75	65		2.4
EAZS50/20-02204	18.0	5.00	15.3	1450	1.27	2.2	59	214	1.3
	30.0	8.33	13.3		1.67	2.2	65		1.5
	36.0	10.00	11.8		1.86	2.2	62		1.8
EAZS50/20-02204	17.2	4.79	14.0	1450	1.15	1.5	57.5	205	1.3
	28.7	7.98	12.0		1.45	2.2	64.5		1.5
	34.5	9.58	10.6		1.63	2.2	61		1.8
EAZS50/20-02204	16.4	4.55	12.5	1450	1.02	1.5	54.5	195	1.3
	27.3	7.59	10.7		1.26	2.2	63		1.5
	32.8	9.11	9.4		1.40	2.2	60		1.8
EAZS50/20-01504	15.6	4.32	11.1	1450	0.90	1.1	52	185	1.3
	25.9	7.20	9.6		1.11	1.5	61.5		1.5
	31.1	8.64	8.2		1.19	1.5	58.5		1.8



EASZ	Capacity		Head	Speed	Power(kw)		Eff	Impeller Dia.	(NPSH)r	
	Model	m ³ /h			L/s	m				r/min
EASZ50/20-01504		14.7	4.09	9.8	1450	0.76	1.1	51.5	175	1.3
		24.5	6.81	8.3		0.95	1.5	58.5		1.5
		29.4	8.17	7.2		1.05	1.5	55		1.8
EASZ50/20-01104		13.9	3.85	8.6	1450	0.66	1.1	49	165	1.3
		23.1	6.42	7.1		0.81	1.1	55		1.5
		27.7	7.71	5.9		0.86	1.1	52		1.8
EASZ50/26-05504		19.2	5.33	25.0	1450	2.47	3	53	264	1.7
		32.0	8.89	23.5		3.25	4	63		1.8
		38.4	10.67	22.3		3.64	5.5	64		1.9
EASZ50/26-05604		18.5	5.15	23.1	1450	2.26	3	51.5	255	1.7
		30.9	8.59	21.7		2.95	4	62		1.8
		37.1	10.30	20.6		3.30	5.5	63		1.9
EASZ50/26-04004		17.8	4.95	21.4	1450	2.02	3	51.5	245	1.7
		29.7	8.25	20.0		2.61	4	62		1.8
		35.6	9.90	19.1		2.92	4	63.5		1.9
EASZ50/26-04004		17.1	4.75	19.8	1450	1.81	3	51	235	1.7
		28.5	7.91	18.6		2.36	3	61		1.8
		34.2	9.50	17.7		2.61	4	63		1.9
EASZ50/26-03004		16.4	4.55	18.2	1450	1.62	2.2	50	225	1.7
		27.3	7.58	17.0		2.10	3	60		1.8
		32.7	9.09	16.1		2.33	3	61.5		1.9
EASZ50/26-03004		15.6	4.34	16.6	1450	1.43	2.2	49.5	215	1.7
		26.1	7.24	15.5		1.85	3	59.5		1.8
		31.3	8.69	14.7		2.05	3	61		1.9
EASZ50/26-02204		14.9	4.14	15.1	1450	1.25	1.5	49	205	1.7
		24.9	6.90	14.0		1.62	2.2	58.5		1.8
		29.8	8.28	13.2		1.79	2.2	60		1.9
EASZ50/32-11004		30.2	8.40	35.6	1450	5.64	7.5	52	329	1.5
		50.4	14.00	31.1		7.36	11	58		2.2
		60.5	16.80	27.8		8.32	11	55		2.7
EASZ50/32-11004		29.0	8.04	32.5	1450	4.93	7.5	52	315	1.5
		48.3	13.40	27.3		6.24	7.5	57.5		2.2
		57.9	16.09	24.9		7.14	11	55		2.7
EASZ50/32-07504		27.6	7.66	29.4	1450	4.24	5.5	52	300	1.5
		46.0	12.77	25.1		5.51	7.5	57		2.2
		55.1	15.32	22.4		6.23	7.5	54		2.7
EASZ50/32-07504		26.2	7.28	26.1	1450	3.58	5.5	52	285	1.5
		43.7	12.13	22.4		4.75	7.5	56		2.2
		52.4	14.55	19.6		5.23	7.5	53.5		2.7
EASZ50/32-05504		24.8	6.89	23.0	1450	2.99	4	52	270	1.5
		41.4	11.49	19.8		3.98	5.5	56		2.2
		49.6	13.79	17.2		4.47	5.5	52		2.7
EASZ50/32-04004		23.4	6.51	20.2	1450	2.48	4	52	255	1.5
		39.1	10.85	19.8		3.83	4	55		2.2
		46.9	13.02	14.9		3.66	4	52		2.7
EASZ65/13-01504		29.0	8.05	6.4	1450	0.78	1.1	65	139	2.3
		48.3	13.41	5.5		0.93	1.5	78		2.4
		57.9	16.09	4.8		0.98	1.5	77		2.7
EASZ65/13-01104		27.1	7.53	5.5	1450	0.60	0.75	68	130	2.3
		45.2	12.54	4.6		0.72	1.1	78		2.4
		54.2	15.05	3.6		0.71	1.1	75		2.7
EASZ65/13-00754		25.0	6.95	4.6	1450	0.46	0.75	67.5	120	2.3
		41.7	11.58	3.8		0.56	0.75	77.5		2.4
		50.0	13.89	3.0		0.55	0.75	74		2.7
EASZ65/16-02204		30.0	8.33	10.2	1450	1.26	2.2	66	174	2
		50.0	13.89	8.8		1.54	2.2	78		2.3
		60.0	16.67	7.8		1.65	2.2	77		2.6
EASZ65/16-02204		28.5	7.90	9.2	1450	1.08	1.5	65.5	165	2
		47.4	13.17	7.5		1.26	2.2	77		2.3
		56.9	15.81	6.7		1.38	2.2	75		2.6



EAZS	Capacity		Head	Speed	Power(kw)			Eff	Impeller Dia.	(NPSH)r
	Model	m ³ /h			L/s	m	r/min			
EAZS65/16-01504		26.7	7.42	8.1	1450	0.91	1.1	65	155	2
		44.5	12.37	7.1		1.14	1.1	75.5		2.3
		53.5	14.85	5.9		1.16	1.5	74		2.6
EAZS65/16-01504		25.0	6.95	7.1	1450	0.75	1.1	64	145	2
		41.7	11.58	6.0		0.92	1.5	74		2.3
		50.0	13.89	5.2		0.98	1.5	72		2.6
EAZS65/16-01104		23.3	6.47	6.1	1450	0.64	1.1	61	135	2
		38.8	10.78	5.2		0.76	1.1	72		2.3
		46.6	12.93	4.5		0.82	1.1	70		2.6
EAZS65/16-01104		21.6	5.99	5.5	1450	0.54	0.75	60	125	2
		35.9	9.98	4.5		0.63	1.1	69		2.3
		43.1	11.97	3.8		0.67	1.1	67		2.6
EAZS65/20-04004		33.0	9.16	15.6	1450	2.15	3	65	214	1.7
		55.0	15.27	13.7		2.83	4	72.5		1.9
		66.0	18.32	11.4		2.88	4	71		2.1
EAZS65/20-03004		31.6	8.78	14.1	1450	1.89	3	64	205	1.7
		52.7	14.63	12.4		2.45	3	72.5		1.9
		63.2	17.55	11.1		2.65	3	72		2.1
EAZS65/20-03004		30.1	8.35	12.8	1450	1.68	2.2	62	195	1.7
		50.1	13.91	11.2		2.12	3	72		1.9
		60.1	16.70	10.0		2.28	3	72		2.1
EAZS65/20-02204		28.5	7.92	11.4	1450	1.47	2.2	60	185	1.7
		47.5	13.20	10.0		1.81	2.2	71.5		1.9
		57.0	15.84	9.0		1.98	2.2	71		2.1
EAZS65/20-02204		27.0	7.49	10.2	1450	1.34	2.2	56	175	1.7
		45.0	12.49	8.9		1.57	2.2	69.5		1.9
		53.9	14.98	7.8		1.66	2.2	69		2.1
EAZS65/20-02204		25.4	7.06	9.0	1450	1.13	1.5	55	165	1.7
		42.4	11.77	7.7		1.31	2.2	68		1.9
		50.9	14.13	6.8		1.43	2.2	66		2.1
EAZS65/26-07504		36.0	10.00	24.6	1450	4.09	5.5	59	264	1.7
		60.0	16.67	23.0		5.22	7.5	72		1.9
		72.0	20.00	21.7		5.83	7.5	73		2
EAZS65/26-07504		34.8	9.66	22.7	1450	3.64	5.5	59	255	1.7
		58.0	16.10	21.5		4.70	7.5	72		1.9
		69.6	19.32	20.0		5.19	7.5	73		2
EAZS65/26-05504		33.4	9.28	21.0	1450	3.29	4	58	245	1.7
		55.7	15.47	19.8		4.23	5.5	71		1.9
		66.8	18.56	18.3		4.59	5.5	72.5		2
EAZS65/26-05504		32.1	8.90	19.6	1450	3.00	4	57	235	1.7
		53.4	14.84	18.2		3.79	5.5	70		1.9
		64.1	17.81	17.0		4.12	5.5	72		2
EAZS65/26-05504		30.7	8.52	18.1	1450	2.70	4	56	225	1.7
		51.1	14.21	16.7		3.37	5.5	69		1.9
		61.4	17.05	15.3		3.70	5.5	69		2
EAZS65/26-04004		29.3	8.15	16.4	1450	2.38	3	55	215	1.7
		48.9	13.58	15.1		3.00	4	67		1.9
		58.6	16.29	13.9		3.31	4	67		2
EAZS65/26-04004		28.0	7.77	15.0	1450	2.15	3	53	205	1.7
		46.6	12.94	13.8		2.67	4	65.5		1.9
		55.9	15.53	12.5		2.93	4	65		2
EAZS65/32-15004		39.0	10.84	37.0	1450	7.28	11	54	329	1.9
		65.0	18.06	34.0		9.40	11	64		2
		78.0	21.67	31.7		10.36	15	65		2.1
EAZS65/32-11004		37.3	10.37	33.4	1450	6.35	7.5	53.5	315	1.9
		62.2	17.29	30.6		8.10	11	64		2
		74.7	20.75	28.4		8.95	11	64.5		2.1
EAZS65/32-11004		35.8	9.88	30.0	1450	5.48	7.5	53	300	1.9
		59.3	16.47	27.2		6.86	11	64		2
		71.1	19.76	24.8		7.50	11	64		2.1



EAZS	Capacity		Head	Speed	Power(kw)		Eff	Impeller Dia.	(NPSH) _r
	m ³ /h	L/s			m	r/min			
EAZS85/32-07504	33.8	9.39	27.0	1450	4.78	7.5	52	285	1.9
	56.3	15.64	24.2		5.84	7.5	63.5		2
	67.6	18.77	21.8		6.32	7.5	63.5		2.1
EAZS85/32-07504	32.0	8.89	24.2	1450	4.18	5.5	50.5	270	1.9
	53.4	14.82	21.4		4.97	7.5	62.5		2
	64.0	17.79	19.0		5.34	7.5	62		2.1
EAZS85/32-05504	30.2	8.40	21.1	1450	3.54	5.5	49	255	1.9
	50.4	14.00	19.0		4.20	5.5	62		2
	60.5	16.80	16.6		4.55	5.5	60		2.1
EAZS80/16-03004	48.0	13.33	9.9	1450	1.96	3	66	174	2.3
	80.0	22.22	8.8		2.46	3	78		2.5
	96.0	26.66	7.9		2.68	3	77		3.7
EAZS80/16-03004	45.5	12.64	8.7	1450	1.66	2.2	65	185	2.3
	75.9	21.07	7.5		2.00	3	77.5		2.5
	91.0	25.28	6.5		2.15	3	75		3.7
EAZS80/16-02204	42.8	11.88	7.5	1450	1.39	2.2	63	155	2.3
	71.3	19.79	6.3		1.60	2.2	76.5		2.5
	85.5	23.75	5.3		1.73	2.2	71.5		3.7
EAZS80/16-02204	40.0	11.11	6.7	1450	1.18	1.5	62	145	2.3
	66.7	18.52	5.5		1.33	2.2	75		2.5
	80.0	22.22	4.5		1.40	2.2	70		3.7
EAZS80/16-01504	37.2	10.34	5.8	1450	0.97	1.5	61	135	2.3
	62.1	17.24	4.6		1.11	1.5	70		2.5
	74.5	20.69	3.8		1.13	1.5	68		3.7
EAZS80/20-07504	57.0	15.83	15.4	1450	3.46	5.5	69	214	1.9
	95.0	26.39	14.1		4.50	5.5	81		2
	114.0	31.67	13.1		4.99	7.5	81.5		2.4
EAZS80/20-05504	54.6	15.17	14.0	1450	3.06	4	68	205	1.9
	91.0	25.28	12.7		3.88	5.5	81		2
	109.2	30.34	11.6		4.26	5.5	81		2.4
EAZS80/20-04004	51.9	14.43	12.6	1450	2.74	4	65	195	1.9
	86.6	24.05	11.2		3.30	4	80		2
	103.9	28.86	10.1		3.57	4	80		2.4
EAZS80/20-04004	49.3	13.69	11.3	1450	2.41	3	63	185	1.9
	82.1	22.81	10.0		2.85	4	78.5		2
	98.6	27.38	8.8		3.03	4	78		2.4
EAZS80/20-03004	46.6	12.95	10.0	1450	2.05	3	62	175	1.9
	77.7	21.58	8.7		2.42	3	76		2
	93.2	25.90	7.5		2.54	3	75		2.4
EAZS80/20-03004	44.0	12.21	8.8	1450	1.74	3	60.5	165	1.9
	73.3	20.35	7.4		1.99	3	74		2
	87.9	24.42	6.4		2.13	3	72		2.4
EAZS80/26-11004	57.0	15.83	24.0	1450	5.64	7.5	66	264	1.6
	95.0	26.39	21.5		7.32	11	76		2
	114.0	31.67	19.5		8.07	11	75		2.4
EAZS80/26-11004	55.1	15.29	22.4	1450	4.94	7.5	68	255	1.6
	91.8	25.49	20.1		6.68	11	75		2
	110.1	30.59	17.9		7.45	11	72		2.4
EAZS80/26-07504	52.9	14.69	20.7	1450	4.44	5.5	67	245	1.6
	88.2	24.49	18.2		5.79	7.5	75.5		2
	105.8	29.39	16.3		6.34	7.5	74		2.4
EAZS80/26-07504	50.7	14.09	19.2	1450	3.99	5.5	66.5	235	1.6
	84.6	23.49	16.5		5.06	7.5	75		2
	101.5	28.19	14.7		5.56	7.5	73		2.4
EAZS80/26-07504	48.6	13.49	17.6	1450	3.50	5.5	66.5	225	1.6
	81.0	22.49	15.1		4.48	7.5	74.5		2
	97.2	26.99	13.2		4.78	7.5	73		2.4
EAZS80/26-05504	46.4	12.90	16.0	1450	3.06	4	66	215	1.6
	77.4	21.49	13.8		3.93	5.5	74		2
	92.8	25.79	11.9		4.18	5.5	72		2.4



EAZS	Capacity		Head	Speed	Power(kw)		Eff	Impeller Dia.	(NPSH)r	
	Model	m ³ /h			L/s	m				r/min
EAZS80/26-05504		44.3	12.30	14.5	1450	2.67	4	65.5	205	1.6
		73.8	20.49	12.6		3.47	5.5	73		2
		88.5	24.59	10.7		3.66	5.5	70.5		2.4
EAZS80/32-18504		60.0	16.67	35.8	1450	10.08	15	58	329	1.5
		100.0	27.78	33.4		13.18	18.5	69		1.8
		120.0	33.34	31.3		14.40	18.5	71		2
EAZS80/32-15004		57.5	15.96	32.5	1450	8.92	11	57	315	1.5
		95.8	26.60	30.1		11.21	15	70		1.8
		114.9	31.92	28.4		12.56	15	70.7		2
EAZS80/32-15004		54.7	15.20	29.7	1450	7.83	11	56.5	300	1.5
		91.2	25.33	27.5		9.75	15	70		1.8
		109.4	30.40	25.6		10.79	15	70.7		2
EAZS80/32-11004		52.0	14.44	26.8	1450	6.77	11	56	285	1.5
		86.6	24.06	24.9		8.38	11	70.1		1.8
		104.0	28.88	22.8		9.14	11	70.6		2
EAZS80/32-11004		49.2	13.66	23.3	1450	5.58	7.5	56	270	1.5
		82.1	22.80	21.5		6.83	11	70.3		1.8
		98.5	27.36	19.7		7.50	11	70.4		2
EAZS80/32-07504		46.5	12.92	20.4	1450	4.53	5.5	57	255	1.5
		77.5	21.53	18.8		5.63	7.5	70.5		1.8
		93.0	25.84	17.1		6.15	7.5	70.4		2
EAZS80/40-30004		60.0	16.67	56.5	1450	17.92	22	51.5	409	1.8
		100.0	27.78	52.2		23.11	30	61.5		2
		120.0	33.34	47.8		25.52	30	61.2		2.3
EAZS80/40-30004		58.0	16.10	52.1	1450	15.81	22	52	395	2.2
		96.6	26.83	47.8		20.44	30	61.5		2.4
		115.9	32.19	44.2		22.82	30	61.1		3.2
EAZS80/40-30004		55.8	15.49	48.3	1450	14.37	18.5	51	380	2.2
		92.9	25.81	44.2		18.18	22	61.5		2.4
		111.5	30.97	40.2		20.34	30	60		3
EAZS80/40-22004		53.5	14.87	44.2	1450	12.51	15	51.5	365	2.2
		89.2	24.79	40.2		15.93	18.5	61.3		2.3
		107.1	29.75	36.7		17.83	22	60		2.8
EAZS80/40-18504		51.3	14.26	40.2	1450	11.02	15	51	350	2.2
		85.6	23.77	36.5		14.08	18.5	60.4		2.3
		102.7	28.53	33.3		15.73	22	59.2		2.8
EAZS80/40-18504		49.1	13.65	36.8	1450	9.95	15	49.5	335	2.2
		81.9	22.75	33.5		12.53	15	59.6		2.3
		98.3	27.30	30.4		13.86	18.5	58.7		2.8
EAZS80/40-15004		46.9	13.04	33.2	1450	8.84	11	48	320	2.2
		78.2	21.73	30.4		11.11	15	58.3		2.3
		93.9	26.08	27.8		12.40	15	57.3		2.8
EAZS100/16-04004		75.6	21.00	8.8	1450	2.70	4	67	176	2
		126.0	35.00	7.2		3.05	4	81		2.1
		151.2	42.00	5.8		3.11	4	76.2		2.7
EAZS100/16-03004		70.9	19.69	7.8	1450	2.21	3	68	165	2
		118.1	32.81	6.2		2.51	3	79.5		2.1
		141.8	39.38	5.5		2.70	3	78.5		2.7
EAZS100/16-03004		66.6	18.49	6.8	1450	1.84	3	67	155	2
		111.0	30.82	5.5		2.14	3	77.6		2.1
		133.2	36.99	4.5		2.16	3	75.5		2.7
EAZS100/16-02204		62.3	17.30	6.0	1450	1.58	2.2	64.5	145	2
		103.8	28.84	4.8		1.78	2.2	76		2.1
		124.6	34.60	3.9		1.81	2.2	73		2.7
EAZS100/20-11004		85.2	23.66	14.9	1450	4.94	7.5	70	214	1.7
		142.0	39.44	13.0		6.28	7.5	80		1.9
		170.4	47.33	11.1		6.86	11	75		2.2
EAZS100/20-07504		81.6	22.67	13.4	1450	4.25	5.5	70	205	1.7
		136.0	37.78	11.5		5.39	7.5	79		1.9
		163.2	45.34	9.8		5.77	7.5	75.5		2.2



EAZS Model	Capacity		Head m	Speed r/min	Power(kw)		Eff %	Impeller Dia. mm	(NPSH)r m
	m ³ /h	L/s			Shaft	Motor			
EAZS100/20-05504	77.6	21.56	12.1	1450	3.77	5.5	68	195	1.7
	129.4	35.94	10.0		4.57	5.5	77		1.9
	155.3	43.13	8.3		4.74	5.5	74		2.2
EAZS100/20-05504	73.6	20.46	10.8	1450	3.23	4	67	185	1.7
	122.7	34.10	8.7		3.85	5.5	75.5		1.9
	147.3	40.91	7.1		4.01	5.5	71		2.2
EAZS100/20-04004	69.7	19.35	9.5	1450	2.86	4	63	175	1.7
	116.1	32.25	7.3		3.14	4	73.5		1.9
	139.3	38.70	5.7		3.18	4	68		2.2
EAZS100/20-03004	65.7	18.25	8.3	1450	2.47	3	60	165	1.7
	109.5	30.41	6.1		2.57	3	70.8		1.9
	131.4	36.49	4.5		2.60	3	62		2.2
EAZS100/26-15004	88.8	24.67	24.7	1450	8.91	11	67	264	1.8
	148.0	41.11	22.0		11.36	15	78		2
	177.6	49.33	19.6		12.63	15	75		2.3
EAZS100/26-15004	85.8	23.83	22.8	1450	8.01	11	66.5	255	1.8
	143.0	39.71	20.4		10.38	15	76.5		2
	171.5	47.65	18.0		11.44	15	73.5		2.3
EAZS100/26-11004	82.4	22.89	21.1	1450	7.17	7.5	66	245	1.8
	137.3	38.15	18.8		9.39	11	75		2
	164.8	45.78	16.6		10.21	11	73		2.3
EAZS100/26-11004	79.0	21.96	19.3	1450	6.39	7.5	65	235	1.8
	131.7	36.59	17.0		8.29	11	73.5		2
	158.1	43.91	14.9		9.03	11	71		2.3
EAZS100/26-11004	75.7	21.02	17.6	1450	5.85	7.5	62	225	1.8
	126.1	35.04	15.3		7.30	11	72		2
	151.4	42.04	13.2		7.88	11	69		2.3
EAZS100/26-11004	72.3	20.09	16.0	1450	5.08	7.5	62	215	1.8
	120.5	33.48	13.6		6.20	7.5	72		2
	144.6	40.18	11.5		6.61	11	68.5		2.3
EAZS100/26-07504	69.0	19.15	14.4	1450	4.58	7.5	59	205	1.8
	114.9	31.92	12.0		5.52	7.5	68		2
	137.9	38.31	10.0		5.87	7.5	64		2.3
EAZS100/32-22004	81.0	22.50	38.0	1450	12.32	15	68	329	2
	135.0	37.50	34.0		16.10	22	77.6		2.2
	162.0	45.00	30.2		18.24	22	73		2.7
EAZS100/32-22004	77.6	21.54	34.4	1450	10.84	15	67	315	2
	129.3	35.90	31.0		14.31	18.5	76.2		2.2
	155.1	43.09	27.6		16.19	22	72		2.7
EAZS100/32-18504	73.9	20.52	31.1	1450	9.47	15	66	300	2
	123.1	34.19	28.0		12.68	18.5	74		2.2
	147.7	41.03	25.0		14.16	18.5	71		2.7
EAZS100/32-15004	70.2	19.49	28.2	1450	8.29	11	65	285	2
	116.9	32.48	25.0		11.13	15	71.5		2.2
	140.3	38.98	22.1		12.70	15	66.5		2.7
EAZS100/32-15004	66.5	18.47	25.7	1450	7.50	11	62	270	2
	110.8	30.78	22.3		9.89	11	68		2.2
	132.9	36.93	19.8		11.13	15	64.5		2.7
EAZS100/32-15004	62.8	17.44	22.9	1450	6.64	11	59	255	2
	104.6	29.07	19.8		8.68	11	65		2.2
	125.6	34.88	16.8		9.57	15	60		2.7
EAZS100/40-45004	90.7	25.20	56.8	1450	22.62	30	62	409	1.5
	151.2	42.00	51.8		30.03	37	71		1.8
	181.4	50.40	47.0		34.39	45	67.5		2.1
EAZS100/40-37004	87.6	24.34	52.4	1450	20.49	30	61	395	1.5
	146.0	40.56	47.4		27.11	37	69.5		1.8
	175.2	48.67	42.6		30.79	37	66		2.1
EAZS100/40-37004	84.3	23.41	48.2	1450	18.43	30	60	380	1.5
	140.5	39.02	43.4		24.77	37	67		1.8
	168.6	46.83	38.8		27.18	37	65.5		2.1



EAZS	Capacity		Head	Speed	Power(kw)		Eff	Impeller Dia.	(NPSH)r
	m ³ /h	L/s			m	r/min			
EAZS100/40-30004	81.0	22.49	44.5	1450	16.91	22	58	365	1.5
	134.9	37.48	39.5		21.82	30	66.5		1.8
	161.9	44.98	35.0		24.11	30	64		2.1
EAZS100/40-30004	77.6	21.56	40.6	1450	14.92	18.5	57.5	350	1.5
	129.4	35.94	35.9		19.45	22	65		1.8
	155.3	43.13	31.7		21.44	30	62.5		2.1
EAZS100/40-22004	74.3	20.64	37.5	1450	13.55	18.5	56	335	1.5
	123.8	34.40	32.9		17.33	22	64		1.8
	148.6	41.28	28.8		19.10	22	61		2.1
EAZS100/40-22004	71.0	19.72	34.0	1450	11.94	15	55	320	1.5
	118.3	32.86	29.8		15.23	18.5	63		1.8
	142.0	39.43	25.8		16.90	22	59		2.1
EAZS125/20-11004	114.5	31.80	15.0	1450	7.54	11	62	214	1.3
	190.8	53.00	13.3		8.74	11	79		1.7
	229.0	63.60	11.7		9.29	11	78.5		1.85
EAZS125/20-11004	109.7	30.46	13.3	1450	6.51	11	61	205	1.3
	182.8	50.77	11.5		7.43	11	77		1.7
	219.3	60.93	9.9		7.78	11	76		1.85
EAZS125/20-07504	104.3	28.98	11.7	1450	5.63	7.5	59	195	1.3
	173.9	48.29	9.7		6.12	7.5	75		1.7
	208.6	57.95	8.1		6.39	7.5	72		1.85
EAZS125/20-07504	99.0	27.49	10.2	1450	4.74	7.5	58	185	1.3
	164.9	45.82	8.0		5.13	7.5	70		1.7
	197.9	54.98	6.3		5.14	7.5	66		1.85
EAZS125/26-22004	144.0	40.00	24.0	1450	13.25	18.5	71	264	2.2
	240.0	66.67	22.2		17.27	22	84		2.8
	288.0	80.00	20.5		19.25	22	83.5		3.3
EAZS125/26-22004	139.1	38.64	21.9	1450	11.68	15	71	255	2.2
	231.8	64.40	20.1		15.19	18.5	83.5		2.8
	278.2	77.28	18.3		16.70	22	83		3.3
EAZS125/26-18504	133.6	37.12	20.0	1450	10.39	15	70	245	2.2
	222.7	61.87	18.3		13.37	18.5	83		2.8
	267.3	74.25	16.5		14.73	18.5	81.5		3.3
EAZS125/26-15004	128.2	35.61	18.3	1450	9.12	11	70	235	2.2
	213.6	59.35	16.4		11.78	15	81		2.8
	256.4	71.22	14.5		12.65	15	80		3.3
EAZS125/26-15004	122.7	34.09	16.6	1450	8.04	11	69	225	2.2
	204.6	56.82	14.4		10.02	15	80		2.8
	245.5	68.19	12.4		10.83	15	76.5		3.3
EAZS125/26-11004	117.3	32.58	14.9	1450	7.00	11	68	215	2.2
	195.5	54.30	12.7		8.66	11	78		2.8
	234.6	65.15	10.7		9.36	11	73		3.3
EAZS125/26-11004	111.8	31.06	13.3	1450	6.04	7.5	67	205	2.2
	186.4	51.77	11.0		7.44	11	75		2.8
	223.6	62.12	9.0		8.00	11	68.5		3.3
EAZS125/32-30004	120.1	33.36	35.0	1450	17.60	22	65	329	1.7
	200.2	55.60	32.7		22.41	30	79.5		2.2
	240.2	66.72	30.8		24.86	30	81		2.7
EAZS125/32-30004	115.0	31.94	31.9	1450	15.36	18.5	65	315	1.7
	191.6	53.23	29.9		19.75	30	79		2.2
	230.0	63.88	28.2		22.07	30	80		2.7
EAZS125/32-22004	109.5	30.42	29.0	1450	13.40	18.5	64.5	300	1.7
	182.5	50.70	27.0		17.09	22	78.5		2.2
	219.0	60.84	25.5		19.00	22	80		2.7
EAZS125/32-18504	104.0	28.90	26.2	1450	11.59	15	64	285	1.7
	173.4	48.16	24.4		14.77	18.5	78		2.2
	208.1	57.80	22.9		16.21	18.5	80		2.7
EAZS125/32-15004	98.6	27.38	23.2	1450	9.73	11	64	270	1.7
	164.3	45.63	21.4		12.59	15	76		2.2
	197.1	54.76	19.9		13.69	15	78		2.7



EAZS125/32-15004	93.1	25.86	20.6	1450	8.42	11	62	255	1.7
	155.1	43.09	18.8		10.73	15	74		2.2
	186.2	51.71	17.3		11.54	15	76		2.7
EAZS125/40-75004	147.0	40.83	56.6	1450	34.84	45	65	409	1.5
	245.0	68.05	52.5		47.00	55	74.5		2.8
	294.0	81.66	48.7		52.67	75	74		4
EAZS125/40-55004	142.0	39.43	51.9	1450	31.34	37	64	395	1.5
	236.6	65.72	47.6		42.00	55	73		2.8
	283.9	78.86	43.8		46.69	55	72.5		4
EAZS125/40-45004	136.6	37.93	47.7	1450	28.15	37	63	380	1.5
	227.6	63.22	43.1		37.35	45	71.5		2.8
	273.1	75.87	39.7		41.57	45	71		4
EAZS125/40-45004	131.2	36.44	43.4	1450	25.00	30	62	365	1.5
	218.6	60.73	39.8		33.36	37	71		2.8
	262.4	72.88	36.5		37.24	45	70		4
EAZS125/40-37004	125.8	34.94	39.9	1450	22.40	30	61	350	1.5
	209.6	58.23	36.6		30.27	37	69		2.8
	251.6	69.88	33.2		33.44	37	68		4
EAZS125/40-37004	120.4	33.44	36.8	1450	20.10	30	60	335	1.5
	200.7	55.74	33.5		27.31	30	67		2.8
	240.8	66.89	30.1		29.45	37	67		4

EAZS	Capacity		Head	Speed	Power(kw)		Eff	Impeller Dia.	(NPSH) _r
	m ³ /h	L/s			m	r/min			
EAZS125/40-30004	115.0	31.95	33.3	1450	17.67	22	59	320	1.5
	191.7	53.24	30.1		23.80	30	66		2.8
	230.0	63.89	27.0		26.01	30	65		4
EAZS150/20-18504	216.0	60.00	14.1	1450	13.37	18.5	62	214	3
	360.0	100.00	12.2		14.95	18.5	80		3.5
	432.0	120.00	10.6		16.51	18.5	75.5		4
EAZS150/20-18504	206.9	57.48	12.8	1450	11.82	15	61	205	3
	344.9	95.79	10.8		13.00	15	78		3.5
	413.8	114.95	9.2		14.20	18.5	73		4
EAZS150/20-15004	196.8	54.67	11.5	1450	10.44	15	59	195	3
	328.0	91.12	9.5		11.24	15	75.5		3.5
	393.6	109.35	7.8		11.94	15	70		4
EAZS150/20-15004	186.7	51.87	10.2	1450	9.10	11	57	185	3
	311.2	86.45	8.2		9.78	15	71		3.5
	373.5	103.74	6.6		10.32	15	65		4
EAZS150/20-11004	176.6	49.07	8.9	1450	8.07	11	53	175	3
	294.4	81.78	6.9		8.38	11	66		3.5
	353.3	98.13	5.3		8.64	11	59		4
EAZS150/26-30004	194.4	54.00	23.1	1450	16.68	22	72	264	1.7
	324.0	90.00	21.0		22.73	30	81.5		2.1
	388.8	108.00	17.9		25.26	30	75		4
EAZS150/26-30004	187.8	52.16	21.2	1450	15.05	18.5	72	255	1.7
	313.0	86.93	18.9		20.38	30	79		2.1
	375.5	104.32	15.6		22.15	30	72		4
EAZS150/26-22004	180.4	50.11	19.3	1450	13.35	18.5	71	245	1.7
	300.7	83.52	16.7		17.75	22	77		2.1
	360.8	100.23	13.4		19.36	22	68		4
EAZS150/26-18504	173.0	48.07	17.6	1450	11.84	15	70	235	1.7
	288.4	80.11	14.7		15.49	18.5	74.5		2.1
	346.1	96.14	11.2		16.49	18.5	64		4
EAZS150/26-18504	165.7	46.02	15.9	1450	10.70	15	67	225	1.7
	276.1	76.70	12.6		13.15	18.5	72		2.1
	331.4	92.05	9.3		14.22	18.5	59		4
EAZS150/26-15004	158.3	43.98	14.2	1450	9.42	11	65	215	1.7
	263.9	73.30	10.3		11.56	15	64		2.1
	316.6	87.95	7.1		12.00	15	51		4



EAZS150/32-55004	222.0	61.67	36.0	1450	29.80	37	73	329	2.1
	370.0	102.78	34.0		40.53	55	84.5		3
	444.0	123.34	31.2		45.16	55	83.5		4
EAZS150/32-45004	212.6	59.04	32.7	1450	25.92	30	73	315	2.1
	354.3	98.41	30.3		35.21	45	83		3
	425.1	118.09	27.1		38.72	45	81		4
EAZS150/32-37004	202.4	56.23	29.3	1450	22.43	30	72	300	2.1
	337.4	93.72	26.6		30.16	37	81		3
	404.9	112.46	23.4		32.65	37	79		4
EAZS150/32-30004	192.3	53.42	26.2	1450	19.32	22	71	285	2.1
	320.5	89.03	23.0		25.40	30	79		3
	384.6	106.84	19.7		27.14	30	76		4
EAZS150/32-30004	182.2	50.61	23.2	1450	16.44	22	70	270	2.1
	303.7	84.35	19.8		21.26	30	77		3
	364.4	101.22	16.5		22.42	30	73		4
EAZS150/32-22004	172.1	47.80	20.2	1450	13.71	18.5	69	255	2.1
	286.8	79.66	16.6		17.28	22	75		3
	344.1	95.59	13.0		17.65	22	69		4
EAZS150/40-90004	231.0	64.16	54.5	1450	51.15	75	67	409	2
	385.0	106.94	49.5		63.65	75	81.5		3.3
	462.0	128.33	43.9		70.78	90	78		4.6

EAZS Model	Capacity		Head m	Speed r/min	Power(kw)		Eff %	Impeller Dia. mm	(NPSH)r m
	m ³ /h	L/s			Shaft	Motor			
EAZS150/40-75004	223.1	61.97	50.0	1450	46.01	55	66	395	2
	371.8	103.28	45.3		57.31	75	80		3.3
	446.2	123.94	39.8		62.78	75	77		4.6
EAZS150/40-75004	214.6	59.61	46.0	1450	40.72	55	66	380	2
	357.7	99.36	41.4		51.03	75	79		3.3
	429.2	119.23	36.0		55.35	75	76		4.6
EAZS150/40-55004	206.1	57.26	42.4	1450	36.05	45	66	365	2
	343.6	95.44	37.7		45.79	55	77		3.3
	412.3	114.52	32.8		49.75	55	74		4.6
EAZS150/40-45004	197.7	54.91	38.6	1450	31.95	37	65	350	2
	329.4	91.51	34.1		40.24	45	76		3.3
	395.3	109.82	29.6		42.19	45	75.5		4.6
EAZS150/40-45004	189.2	52.55	35.4	1450	28.49	37	64	335	2
	315.3	87.59	31.2		36.69	45	73		3.3
	378.4	105.11	27.0		38.63	45	72		4.6
EAZS150/40-37004	180.7	50.20	32.1	1450	24.87	30	63.5	320	2
	301.2	83.67	28.4		31.90	37	73		3.3
	361.5	100.40	24.4		33.35	37	72		4.6



EAZS (60HZ)

EAZS Model	Capacity		Head m	Speed r/min	Power(kw)		Eff %	Impeller Dia. mm	(NPSH) _r m
	m ³ /h	L/s			Shaft	Motor			
EAZS32/13-04002	10.9	3.02	37.9	3500	2.16	3	52	139	1.4
	18.1	5.03	35.0		2.83	4	61		1.7
	21.7	6.04	32.8		3.13	4	62		2.5
EAZS32/13-03002	10.2	2.82	32.0	3500	1.72	2.2	51.5	130	1.4
	16.9	4.71	28.7		2.21	3	60		1.7
	20.3	5.65	26.2		2.40	3	60.5		2.5
EAZS32/13-03002	9.4	2.61	26.2	3500	1.31	2.2	51	120	1.4
	15.6	4.34	23.6		1.72	3	58.5		1.7
	18.8	5.21	21.1		1.86	3	58		2.5
EAZS32/13-02202	8.6	2.39	21.6	3500	1.01	1.5	50	110	1.4
	14.3	3.98	18.9		1.30	2.2	57		1.7
	17.2	4.78	16.6		1.40	2.2	55.5		2.5
EAZS32/13-01502	7.8	2.17	17.0	3500	0.76	1.1	48	100	1.4
	13.0	3.62	14.7		1.00	1.5	52		1.7
	15.6	4.34	12.7		1.04	1.5	52		2.5
EAZS32/16-07502	13.0	3.62	61.2	3500	4.67	5.5	46.5	174	1.9
	21.7	6.03	56.8		6.00	7.5	56		2.2
	26.1	7.24	53.2		6.65	7.5	56.7		3.7
EAZS32/16-07502	12.4	3.43	53.9	3500	3.99	5.5	45.5	165	1.9
	20.6	5.72	50.4		5.09	7.5	55.5		2.2
	24.7	6.87	46.8		5.59	7.5	56.3		3.7
EAZS32/16-05502	11.6	3.23	47.0	3500	3.38	5.5	44	155	1.9
	19.4	5.38	44.4		4.29	5.5	54.5		2.2
	23.2	6.45	41.8		4.72	5.5	56		3.7
EAZS32/16-05502	10.9	3.02	41.2	3500	2.83	4	43	145	1.9
	18.1	5.03	38.6		3.59	5.5	53		2.2
	21.7	6.03	36.4		3.95	5.5	54.5		3.7
EAZS32/16-04002	10.1	2.81	35.8	3500	2.47	3	40	135	1.9
	16.9	4.68	33.1		2.97	4	51		2.2
	20.2	5.62	31.2		3.27	4	52.5		3.7
EAZS32/16-04002	9.4	2.60	29.9	3500	1.95	3	39	125	1.9
	15.6	4.34	28.0		2.45	4	48.5		2.2
	18.7	5.20	26.2		2.62	4	51		3.7
EAZS32/20-15002	13.0	3.62	93.5	3500	8.51	11	39	214	1.7
	21.7	6.03	85.2		10.41	15	48.4		2
	26.1	7.24	78.8		11.58	15	48.3		2.3
EAZS32/20-15002	12.5	3.47	84.9	3500	7.48	11	38.6	205	1.6
	20.8	5.78	77.2		9.07	15	48.2		1.95
	25.0	6.94	70.4		9.94	15	48.1		2.2
EAZS32/20-11002	11.9	3.30	76.0	3500	6.37	7.5	38.6	195	1.6
	19.8	5.50	69.5		7.88	11	47.5		1.95
	23.8	6.60	62.9		8.66	11	47		2.2
EAZS32/20-11002	11.3	3.13	68.8	3500	5.70	7.5	37	185	1.6
	18.8	5.22	61.9		6.81	11	46.5		1.95
	22.5	6.26	55.6		7.42	11	46		2.2
EAZS32/20-07502	10.7	2.96	61.5	3500	4.96	7.5	36	175	1.6
	17.8	4.93	55.4		5.95	7.5	45		1.95
	21.3	5.92	49.8		6.54	7.5	44.2		2.2
EAZS32/20-07502	10.0	2.79	54.7	3500	4.21	5.5	35.5	165	1.6
	16.7	4.65	49.2		5.22	7.5	43		1.95
	20.1	5.58	44.3		5.58	7.5	43.4		2.2
EAZS32/26-30002	19.6	5.43	130.1	3500	20.67	30	33.5	264	2.1
	32.6	9.05	119.4		25.53	30	41.5		2.6
	39.1	10.86	109.7		28.62	30	40.8		3.1



EASZ	Capacity		Head m	Speed r/min	Power(kw)		Eff %	Impeller Dia. mm	(NPSH) m
	m ³ /h	L/s			Shaft	Motor			
EASZ32/26-30002	18.9	5.25	121.8	3500	18.97	22	33	255	2.1
	31.5	8.74	110.7		23.54	30	40.3		2.6
	37.8	10.49	102.7		26.07	30	40.5		3.1
EASZ32/26-30002	18.1	5.04	112.9	3500	17.99	22	31	245	2.1
	30.2	8.40	102.3		21.31	30	39.5		2.6
	36.3	10.08	94.7		23.27	30	40.2		3.1
EASZ32/26-22002	17.4	4.83	104.9	3500	16.03	18.5	31	235	2.1
	29.0	8.06	94.7		19.17	22	39		2.6
	34.8	9.67	87.1		20.63	22	40		3.1
EASZ32/26-22002	16.7	4.63	96.1	3500	14.30	18.5	30.5	225	2.1
	27.8	7.71	86.8		17.50	22	37.5		2.6
	33.3	9.26	79.8		19.06	22	38		3.1
EASZ32/26-22002	15.9	4.42	88.6	3500	12.80	15	30	215	2.1
	26.5	7.37	80.1		15.99	18.5	36.2		2.6
	31.8	8.85	74.3		17.41	22	37		3.1
EASZ32/26-18502	15.2	4.22	84.5	3500	12.25	15	28.5	205	2.1
	25.3	7.03	74.0		14.77	18.5	34.5		2.6
	30.4	8.43	67.3		15.89	18.5	35		3.1
EASZ40/13-07502	21.7	6.03	36.9	3500	3.57	5.5	61	139	1.8
	36.2	10.05	34.2		4.62	7.5	73		2
	43.4	12.06	31.8		5.11	7.5	73.5		3
EASZ40/13-05502	20.3	5.64	32.0	3500	2.86	4	62	130	1.8
	33.8	9.40	29.4		3.70	5.5	73.2		2
	40.6	11.28	26.9		4.07	5.5	73.2		3
EASZ40/13-04002	18.7	5.21	26.9	3500	2.25	4	61	120	1.8
	31.2	8.68	24.8		2.89	4	73		2
	37.5	10.42	22.3		3.12	4	73		3
EASZ40/13-03002	17.2	4.77	22.6	3500	1.77	2.2	60	110	1.8
	28.6	7.96	20.0		2.16	3	72		2
	34.4	9.55	17.8		2.31	3	72		3
EASZ40/13-02202	15.6	4.34	18.2	3500	1.34	2.2	58	100	1.8
	26.0	7.23	16.0		1.62	2.2	70		2
	31.2	8.68	13.8		1.71	2.2	69		3
EASZ40/16-11002	21.7	6.03	57.5	3500	5.97	7.5	57	174	1.5
	36.2	10.05	51.0		7.85	11	64		2.2
	43.4	12.06	45.9		8.82	11	61.5		3.3
EASZ40/16-11002	20.6	5.72	50.7	3500	5.07	7.5	56	165	1.5
	34.3	9.53	44.4		6.57	11	63.2		2.2
	41.2	11.44	40.2		7.39	11	61		3.3
EASZ40/16-07502	19.3	5.37	44.4	3500	4.25	5.5	55	155	1.5
	32.2	8.96	38.6		5.54	7.5	61.2		2.2
	38.7	10.75	34.1		6.08	7.5	59		3.3
EASZ40/16-07502	18.1	5.03	38.9	3500	3.61	5.5	53	145	1.5
	30.2	8.38	32.8		4.60	5.5	58.5		2.2
	36.2	10.05	28.4		5.00	7.5	56		3.3
EASZ40/16-05502	16.8	4.68	33.7	3500	3.09	4	50	135	1.5
	28.1	7.80	28.4		3.81	5.5	57		2.2
	33.7	9.36	24.0		4.01	5.5	55		3.3
EASZ40/16-04002	15.6	4.33	28.4	3500	2.51	4	48	125	1.5
	26.0	7.22	23.3		3.00	4	55		2.2
	31.2	8.67	19.7		3.27	4	51		3.3
EASZ40/20-18502	21.7	6.03	89.6	3500	11.03	15	48	214	1.8
	36.2	10.05	82.3		13.98	18.5	58		2
	43.4	12.06	77.2		15.60	18.5	58.5		2.7
EASZ40/20-18502	20.8	5.78	80.7	3500	9.52	11	48	205	1.8
	34.7	9.63	74.3		12.19	15	57.5		2
	41.6	11.56	68.9		13.45	18.5	58		2.7
EASZ40/20-15002	19.8	5.50	72.1	3500	8.26	11	47	195	1.8
	33.0	9.16	69.2		10.99	15	56.5		2
	39.6	10.99	61.2		11.56	15	57		2.7
EASZ40/20-11002	18.8	5.21	64.9	3500	7.21	11	46	185	1.8
	31.3	8.69	59.0		9.05	11	55.5		2
	37.5	10.43	53.2		9.88	11	55		2.7



EAZS	Capacity		Head m	Speed r/min	Power(kw)		Eff %	Impeller Dia. mm	(NPSH) _r m
	m ³ /h	L/s			Shaft	Motor			
EAZS40/20-11002	17.8	4.93	58.1	3500	6.24	7.5	45	175	1.8
	29.6	8.22	52.4		7.82	11	54		2
	35.5	9.87	46.9		8.48	11	53.5		2.7
EAZS40/20-11002	16.7	4.65	51.6	3500	5.29	7.5	44.5	165	1.8
	27.9	7.76	45.9		6.70	11	52		2
	33.5	9.30	41.1		7.27	11	51.5		2.7
EAZS40/26-37002	26.1	7.24	135.5	3500	24.03	30	40	264	1.8
	43.4	12.07	126.0		29.22	37	51		2
	52.1	14.48	118.7		31.79	37	53		2.5
EAZS40/26-37002	25.2	6.99	125.3	3500	21.47	30	40	255	1.8
	42.0	11.66	116.5		26.47	30	50.3		2
	50.4	13.99	108.5		28.45	37	52.3		2.5
EAZS40/26-30002	24.2	6.72	114.1	3500	19.26	22	39	245	1.8
	40.3	11.20	104.9		23.02	30	50		2.0
	48.4	13.44	96.1		24.83	30	51		2.5
EAZS40/26-30002	23.2	6.45	103.4	3500	17.19	22	38	235	1.8
	38.7	10.74	96.5		20.94	30	48.5		2
	46.4	12.89	88.4		22.35	30	50		2.5
EAZS40/26-30002	22.2	6.17	94.8	3500	15.09	18.5	38	225	1.8
	37.0	10.29	87.7		18.41	22	48		2
	44.4	12.34	81.1		20.22	30	48.5		2.5
EAZS40/26-22002	21.2	5.90	86.6	3500	13.34	18.5	37.5	215	1.8
	35.4	9.83	79.1		16.21	22	47		2
	42.5	11.79	74.0		18.02	22	47.5		2.5
EAZS40/26-18502	20.2	5.62	78.7	3500	11.56	15	37.5	205	1.8
	33.7	9.37	72.1		14.40	18.5	46		2
	40.5	11.25	66.3		15.71	18.5	46.5		2.5
EAZS50/13-11002	43.5	12.07	37.9	3500	6.84	11	65.5	139	1.95
	72.4	20.12	33.5		8.47	11	78		2.5
	86.9	24.14	29.9		9.42	11	75		3.3
EAZS50/13-11002	40.6	11.29	32.0	3500	5.50	7.5	64.5	130	1.95
	67.7	18.82	27.1		6.66	11	75		2.5
	81.3	22.58	23.5		7.21	11	72		3.3
EAZS50/13-07502	37.5	10.42	26.7	3500	4.32	5.5	63	120	1.95
	62.5	17.37	21.8		5.17	7.5	72		2.5
	75.0	20.84	17.9		5.38	7.5	68		3.3
EAZS50/13-07502	34.4	9.55	21.8	3500	3.30	5.5	62	110	1.95
	57.3	15.92	16.9		3.82	5.5	69		2.5
	68.8	19.11	14.0		4.06	5.5	64.5		3.3
EAZS50/16-22002	47.1	13.07	61.6	3500	12.24	15	64.5	174	1.8
	78.4	21.78	55.4		15.76	18.5	75		2.8
	94.1	26.14	49.2		17.76	22	71		3.2
EAZS50/16-18502	44.6	12.39	54.6	3500	10.53	15	63	165	1.8
	74.4	20.66	48.4		13.50	18.5	72.5		2.8
	89.2	24.79	43.0		15.35	18.5	68		3.2
EAZS50/16-15002	41.9	11.64	48.5	3500	9.22	11	60	155	1.8
	69.9	19.41	42.5		11.72	15	69		2.8
	83.8	23.29	37.6		12.80	15	67		3.2
EAZS50/16-15002	39.2	10.89	41.8	3500	7.56	11	59	145	1.8
	65.4	18.15	36.4		9.60	15	67.5		2.8
	78.4	21.78	32.2		10.57	15	65		3.2
EAZS50/16-11002	36.5	10.14	35.7	3500	6.11	7.5	58	135	1.8
	60.8	16.90	30.3		7.84	11	64		2.8
	73.0	20.28	26.7		8.55	11	62		3.2
EAZS50/16-07502	33.8	9.39	29.9	3500	5.18	7.5	53	125	1.8
	56.3	15.65	24.5		6.05	7.5	62		2.8
	67.6	18.78	20.7		6.40	7.5	59.5		3.2
EAZS50/20-30002	43.5	12.07	90.3	3500	18.42	22	58	214	2.2
	72.4	20.12	81.6		22.98	30	70		3.2
	86.9	24.14	74.3		25.85	30	68		4
EAZS50/20-30002	41.6	11.56	82.0	3500	15.49	18.5	60	205	2.2
	69.4	19.27	73.3		20.26	30	68.3		3.2
	83.3	23.13	65.1		22.53	30	65.5		4



EAZS	Capacity		Head	Speed	Power(kw)		Eff	Impeller Dia.	(NPSH)r
	m ³ /h	L/s			m	r/min			
EAZS50/20-22002	39.6	11.00	74.7	3500	13.65	18.5	59	195	2.2
	66.0	18.33	65.1		17.59	22	66.5		3.2
	79.2	22.00	58.3		19.63	22	64		4
EAZS50/20-18502	37.6	10.44	67.3	3500	11.86	15	58	185	2.2
	62.6	17.39	58.6		15.25	18.5	65.5		3.2
	75.1	20.87	51.6		17.01	18.5	62		4
EAZS50/20-18502	35.5	9.87	60.2	3500	10.30	15	56.5	175	2.2
	59.2	16.45	52.7		13.28	15	64		3.2
	71.1	19.74	45.7		15.13	18.5	58.5		4
EAZS50/20-15002	33.5	9.31	53.5	3500	9.04	11	54	165	2.2
	55.8	15.51	46.9		11.88	15	60		3.2
	67.0	18.61	40.1		13.05	15	56		4
EAZS65/13-15002	72.4	20.12	35.7	3500	10.35	15	68	139	3
	120.7	33.53	29.9		12.42	15	79		3.75
	144.8	40.23	25.1		13.00	15	76		4.2
EAZS65/13-11002	67.7	18.81	30.0	3500	8.14	11	68	130	3
	112.9	31.36	23.6		9.47	11	76.6		3.75
	135.5	37.63	18.9		9.83	11	71		4.2
EAZS65/13-11002	62.5	17.37	25.1	3500	6.46	7.5	66	120	3
	104.2	28.94	19.2		7.47	11	73		3.75
	125.0	34.73	14.9		7.55	11	67		4.2
EAZS65/16-30002	72.4	20.12	57.8	3500	17.27	22	66	174	2.7
	120.7	33.53	49.5		21.70	30	75		3.5
	144.8	40.23	43.1		23.13	30	73.5		4.1
EAZS65/16-22002	88.7	19.08	52.4	3500	14.63	18.5	67	165	2.7
	114.5	31.79	43.7		18.40	22	74		3.5
	137.3	38.15	37.6		19.38	22	72.5		4.1
EAZS65/16-18502	64.5	17.92	46.6	3500	12.59	15	65	155	2.7
	107.5	29.87	38.2		15.39	18.5	72.6		3.5
	129.0	35.84	31.8		15.93	18.5	70		4.1
EAZS65/16-15002	60.3	16.76	40.8	3500	10.64	15	63	145	2.7
	100.6	27.94	32.3		12.47	15	71		3.5
	120.7	33.53	26.5		12.72	15	68.5		4.1
EAZS65/16-15002	56.2	15.61	35.2	3500	8.84	11	61	135	2.7
	93.6	26.01	28.0		10.36	15	69		3.5
	112.4	31.22	22.6		10.63	15	65		4.1
EAZS65/16-11002	52.0	14.45	30.2	3500	7.13	11	60	125	2.7
	86.7	24.09	23.3		8.21	11	67		3.5
	104.1	28.90	18.6		8.38	11	63		4.1
EAZS65/20-37002	72.6	20.16	77.1	3500	25.37	30	60	195	2.4
	120.9	33.60	67.0		30.43	37	72.5		3.7
	145.1	40.32	60.3		33.09	37	72		5.2
EAZS65/20-37002	68.8	19.12	69.3	3500	21.66	30	60	185	2.4
	114.7	31.87	60.3		26.16	30	72		3.7
	137.7	38.25	54.3		28.45	37	71.5		5.2
EAZS65/20-30002	65.1	18.09	61.2	3500	18.38	22	59	175	2.4
	108.5	30.15	53.3		22.19	30	71		3.7
	130.3	36.18	47.6		23.96	30	70.5		5.2
EAZS65/20-30002	61.4	17.06	53.6	3500	15.72	18.5	57	165	2.4
	102.3	28.43	46.6		18.55	22	70		3.7
	122.8	34.11	40.8		20.05	30	68		5.2
EAZS65/26-90002	86.9	24.14	142.7	3500	53.59	75	63	264	2.4
	144.8	40.23	130.9		70.23	90	73.5		4.2
	173.8	48.27	119.9		79.31	90	71.5		5.8
EAZS65/26-90002	83.9	23.31	132.6	3500	48.84	55	62	255	2.4
	139.9	38.85	120.9		63.06	75	73		4.2
	167.9	46.63	110.7		71.24	90	71		5.8



EAZS	Capacity		Head m	Speed r/min	Power(kw)		Eff %	Impeller Dia. mm	(NPSH) r m
	m ³ /h	L/s			Shaft	Motor			
EAZS65/26-75002	80.6	22.40	123.1	3500	44.29	55	61	245	2.4
	134.4	37.33	112.2		56.60	75	72.5		4.2
	161.3	44.80	102.0		63.05	75	71		5.8
EAZS65/26-75002	77.3	21.48	114.3	3500	40.80	55	59	235	2.4
	128.9	35.81	103.4		50.76	75	71.5		4.2
	154.7	42.97	93.2		55.68	75	70.5		5.8
EAZS65/26-55002	74.1	20.57	105.6	3500	36.70	45	58	225	2.4
	123.4	34.28	94.7		45.06	55	70.6		4.2
	148.1	41.14	85.9		49.50	55	70		5.8
EAZS65/26-55002	70.8	19.66	96.4	3500	32.30	37	57.5	215	2.4
	117.9	32.76	86.5		40.52	55	68.5		4.2
	141.5	39.31	74.0		43.86	55	65		5.8
EAZS65/26-45002	67.5	18.74	85.9	3500	28.70	37	55	205	2.4
	112.4	31.24	76.6		35.81	45	65.5		4.2
	134.9	37.48	69.9		39.51	45	65		5.8
EAZS80/16-37002	111.2	30.90	50.7	3500	22.74	30	67.5	165	2.7
	185.4	51.50	42.4		28.15	37	76		3.8
	222.5	61.80	35.2		30.94	37	69		5
EAZS80/16-30002	104.5	29.03	44.7	3500	20.19	30	63	155	2.7
	174.2	48.38	36.0		23.05	30	74		3.8
	209.0	58.06	29.3		25.24	30	66		5
EAZS80/16-30002	97.8	27.16	39.1	3500	16.80	22	62	145	2.7
	162.9	45.26	31.5		19.40	22	72		3.8
	195.5	54.31	25.3		21.08	30	64		5
EAZS80/16-18502	91.0	25.28	33.2	3500	14.19	18.5	58	135	2.7
	151.7	42.14	26.5		16.59	18.5	66		3.8
	182.0	50.56	21.0		17.32	18.5	60		5
EAZS80/20-75002	137.6	38.22	88.1	3500	49.27	55	67	214	3.1
	229.3	63.70	76.8		61.59	75	77.8		4.8
	275.2	76.44	67.0		68.29	75	73.5		5.8
EAZS80/20-75002	131.8	36.61	80.3	3500	44.30	55	65	205	4
	219.7	61.02	69.8		54.12	75	77.1		4.9
	263.6	73.23	60.4		59.83	75	72.5		5.85
EAZS80/20-55002	125.4	34.83	72.2	3500	39.77	45	62	195	4
	209.0	58.04	63.5		47.53	55	76		4.7
	250.8	69.65	54.8		51.92	55	72		5.5
EAZS80/20-45002	118.9	33.04	63.8	3500	33.32	37	62	185	4
	198.2	55.07	54.2		39.52	45	74		4.7
	237.9	66.08	46.3		43.47	45	69		5.5
EAZS80/20-37002	112.5	31.25	57.1	3500	26.49	37	66	175	4
	187.5	52.09	48.5		32.57	37	76		4.7
	225.0	62.51	41.4		33.85	37	75		5.5
EAZS80/20-30002	106.1	29.47	50.7	3500	22.38	30	65.5	165	4
	176.8	49.11	43.1		27.48	30	75.5		4.7
	212.2	58.94	36.8		28.57	30	74.5		5.5
EAZS80/26-90002	122.5	34.02	106.8	3500	56.50	75	63	235	3.9
	204.1	56.70	91.8		69.76	90	73.1		5
	245.0	68.04	80.3		75.38	90	71		6
EAZS80/26-75002	117.3	32.57	96.9	3500	49.87	55	62	225	3.9
	195.4	54.29	83.0		61.10	75	72.3		5
	234.5	65.15	72.2		65.43	75	70.5		6
EAZS80/26-75002	112.1	31.13	87.5	3500	43.78	55	61	215	3.9
	186.8	51.88	73.3		52.83	75	70.5		5
	224.1	62.25	64.8		56.49	75	70		6
EAZS80/26-55002	106.8	29.68	78.7	3500	38.45	45	59.5	205	3.9
	178.1	49.46	65.7		45.49	55	70		5
	213.7	59.36	58.0		48.52	55	69.5		6
EAZS100/16-55002	182.5	50.69	50.3	3500	36.98	45	67.5	176	4
	304.1	84.48	38.9		42.09	55	76.5		4.6
	365.0	101.38	30.3		42.40	55	71		6.1



EAZS	Capacity		Head	Speed	Power(kw)		Eff	Impeller Dia.	(NPSH)r
	m ³ /h	L/s			m	r/min			
EAZS100/16-45002	171.1	47.52	43.7	3500	30.60	37	66.5	165	4.9
	285.1	79.20	33.5		34.67	45	75		4.9
	342.2	95.04	25.8		35.31	45	68		5.4
EAZS100/16-37002	160.7	44.84	37.6	3500	25.29	30	65	155	4.8
	267.8	74.40	28.0		28.32	37	72		4.8
	321.4	89.28	21.3		28.41	37	65.5		5.3
EAZS100/16-30002	150.3	41.76	33.2	3500	21.24	30	64	145	4.7
	250.6	69.60	23.6		22.99	30	70		4.7
	300.7	83.52	17.5		23.08	30	62		5.2
EAZS100/20-90002	197.7	54.92	77.5	3500	60.44	75	69	205	3.9
	329.5	91.53	64.5		73.27	90	79		5.8
	395.4	109.84	53.9		78.93	90	73.5		6.9
EAZS100/20-75002	188.1	52.24	68.5	3500	51.54	75	68	195	3.9
	313.4	87.07	56.4		62.47	75	77		5.8
	376.1	104.48	45.9		66.64	75	70.5		6.9
EAZS100/20-75002	178.4	49.56	61.2	3500	45.02	55	66	185	3.9
	297.4	82.60	48.1		52.94	75	73.5		5.8
	356.8	99.12	38.3		55.13	75	67.5		6.9
EAZS100/20-55002	168.8	46.88	54.2	3500	39.52	45	63	175	3.9
	281.3	78.14	41.8		45.73	55	70		5.8
	337.6	93.76	31.8		45.59	55	64		6.9
EAZS100/20-45002	159.1	44.20	46.6	3500	33.94	45	59.5	165	3.9
	265.2	73.67	35.0		37.39	45	67.5		5.8
	318.3	88.41	26.2		37.86	45	60		6.9
EAZS32/13-00554	4.3	1.46	9.8	1750	0.25	0.55	47	139	1.7
	7.2	2.43	9.0		0.31	0.55	58		2
	8.7	2.91	8.4		0.34	0.55	59		2.1
EAZS32/13-00554	4.1	1.36	8.3	1750	0.20	0.55	46	130	1.7
	6.8	2.27	7.6		0.25	0.55	56.5		2
	8.1	2.72	7.0		0.27	0.55	58		2.1
EAZS32/13-00554	3.7	1.26	6.8	1750	0.16	0.55	45	120	1.7
	6.2	2.09	6.1		0.19	0.55	55		2
	7.5	2.51	5.7		0.21	0.55	56		2.1
EAZS32/13-00554	3.4	1.15	5.8	1750	0.12	0.55	45	110	1.7
	5.7	1.92	5.1		0.15	0.55	54		2
	6.9	2.30	4.5		0.16	0.55	54		2.1
EAZS32/13-00554	3.1	1.05	4.5	1750	0.09	0.55	44	100	1.7
	5.2	1.75	3.9		0.11	0.55	51		2
	6.2	2.09	3.4		0.11	0.55	52		2.1
EAZS32/16-01104	5.2	1.75	15.4	1750	0.46	0.75	47.5	174	1.8
	8.7	2.91	14.7		0.63	1.1	55		2
	10.4	3.49	13.8		0.70	1.1	56		2.2
EAZS32/16-00754	4.9	1.65	13.9	1750	0.41	0.55	45	165	1.8
	8.2	2.76	13.1		0.53	0.75	55		2
	9.9	3.31	12.4		0.60	0.75	55.5		2.2
EAZS32/16-00754	4.6	1.55	12.3	1750	0.35	0.55	44	155	1.8
	7.7	2.59	11.4		0.45	0.75	53.5		2
	9.3	3.11	10.6		0.50	0.75	54		2.2
EAZS32/16-00554	4.3	1.45	10.7	1750	0.30	0.55	42	145	1.8
	7.2	2.42	9.9		0.38	0.55	51.5		2
	8.7	2.91	9.3		0.42	0.55	52		2.2
EAZS32/16-00554	4.0	1.35	9.3	1750	0.25	0.55	41.5	135	1.8
	6.7	2.26	8.6		0.32	0.55	49.5		2
	8.1	2.71	8.1		0.35	0.55	50		2.2
EAZS32/16-00554	3.7	1.25	8.0	1750	0.20	0.55	40	125	1.8
	6.2	2.09	7.4		0.27	0.55	47		2
	7.5	2.51	6.9		0.29	0.55	49		2.2
EAZS32/20-01504	5.2	1.75	23.3	1750	0.89	1.1	37	214	1.9
	8.7	2.91	21.4		1.09	1.5	46.5		2
	10.4	3.49	19.8		1.18	1.5	47.5		2.3



EAZS32/20-01504	5.0	1.67	21.3	1750	0.80	1.1	36	205	1.9
	8.3	2.79	19.2		0.95	1.5	46		2
	10.0	3.34	17.6		1.03	1.5	46.5		2.3
EAZS32/20-01504	4.7	1.59	19.2	1750	0.72	1.1	34.5	195	1.9
	7.9	2.65	17.4		0.83	1.1	45		2
	9.5	3.18	15.9		0.92	1.5	45		2.3
EAZS32/20-01104	4.5	1.51	17.3	1750	0.62	0.75	34	185	1.9
	7.5	2.51	15.7		0.80	1.1	40		2
	9.0	3.02	14.4		0.79	1.1	44.5		2.3
EAZS32/20-01104	4.3	1.43	15.5	1750	0.54	0.75	33.5	175	1.9
	7.1	2.38	14.0		0.64	1.1	42		2
	8.5	2.85	12.8		0.71	1.1	42		2.3
EAZS32/20-01104	4.0	1.35	13.8	1750	0.46	0.75	33	165	1.9
	6.7	2.24	12.5		0.57	1.1	40		2
	8.0	2.69	11.4		0.62	1.1	40		2.3
EAZS32/26-04004	6.6	2.21	34.5	1750	2.06	3	30	264	1.8
	11.0	3.68	32.6		2.57	3	38		2.1
	13.2	4.42	31.2		2.80	4	40		2.4
EAZS32/26-04004	6.4	2.13	31.8	1750	1.83	3	30	255	1.8
	10.6	3.56	30.4		2.38	4	37		2.1
	12.7	4.27	29.0		2.54	4	39.5		2.4
EAZS32/26-03004	6.1	2.05	29.4	1750	1.69	3	29	245	1.8
	10.2	3.42	28.1		2.11	3	37		2.1
	12.2	4.10	26.9		2.30	3	39		2.4
EAZS32/26-03004	5.9	1.97	27.1	1750	1.52	2.2	28.5	235	1.8
	9.8	3.28	25.9		1.92	3	36		2.1
	11.7	3.93	24.8		2.08	3	38		2.4
EAZS32/26-03004	5.6	1.88	24.9	1750	1.36	2.2	28	225	1.8
	9.4	3.14	23.8		1.73	3	35		2.1
	11.2	3.76	22.9		1.89	3	37		2.4
EAZS32/26-02204	5.4	1.80	23.2	1750	1.23	2.2	27.5	215	1.8
	8.9	3.00	22.0		1.57	2.2	34		2.1
	10.7	3.60	21.1		1.71	2.2	36		2.4
EAZS32/26-02204	5.1	1.72	21.6	1750	1.13	1.5	26.5	205	1.8
	8.5	2.86	20.4		1.43	2.2	33		2.1
	10.2	3.43	19.4		1.54	2.2	35		2.4
EAZS40/13-00754	8.7	2.92	9.3	1750	0.37	0.55	59	139	1.8
	14.5	4.86	8.7		0.49	0.75	71		2
	17.4	5.84	8.2		0.54	0.75	72		2.4
EAZS40/13-00754	8.1	2.73	8.2	1750	0.31	0.55	58	130	1.8
	13.6	4.55	7.6		0.40	0.55	71		2
	16.3	5.46	7.0		0.44	0.75	71		2.4
EAZS40/13-00554	7.5	2.52	6.9	1750	0.25	0.55	56	120	1.8
	12.5	4.20	6.3		0.31	0.55	69		2
	15.0	5.04	5.7		0.34	0.55	68.5		2.4
EAZS40/13-00554	6.9	2.31	5.8	1750	0.21	0.55	51	110	1.8
	11.5	3.85	5.3		0.26	0.55	64		2
	13.8	4.62	4.8		0.28	0.55	63.5		2.4
EAZS40/13-00554	6.3	2.10	4.8	1750	0.16	0.55	50.5	100	1.8
	10.4	3.50	4.3		0.21	0.55	58		2
	12.5	4.20	3.8		0.22	0.55	58		2.4
EAZS40/16-01504	8.7	2.92	14.6	1750	0.59	0.75	59	174	1.8
	14.5	4.86	13.1		0.82	1.1	63		2
	17.4	5.84	11.8		0.91	1.5	61.5		2.4
EAZS40/16-01104	8.3	2.77	13.0	1750	0.51	0.75	57	165	1.8
	13.8	4.61	11.7		0.70	1.1	62		2
	16.5	5.53	10.5		0.79	1.1	60		2.4
EAZS40/16-01104	7.8	2.60	11.4	1750	0.43	0.75	56	155	1.8
	12.9	4.33	10.2		0.60	1.1	60		2
	15.5	5.20	9.2		0.67	1.1	58		2.4



EAZS	Capacity		Head m	Speed r/min	Power(kw)		Eff %	Impeller Dia. mm	(NPSH) _r m
	m ³ /h	L/s			Shaft	Motor			
EAZS40/16-00754	7.3	2.43	10.2	1750	0.40	0.55	50	145	1.8
	12.1	4.05	8.7		0.50	0.75	57		2
	14.5	4.86	7.9		0.56	0.75	55		2.4
EAZS40/16-00754	6.8	2.26	8.7	1750	0.33	0.55	48.5	135	1.8
	11.3	3.77	7.6		0.44	0.75	53		2
	13.5	4.53	6.4		0.47	0.75	50		2.4
EAZS40/16-00554	6.3	2.10	7.5	1750	0.30	0.55	43	125	1.8
	10.4	3.49	6.3		0.36	0.55	49		2
	12.5	4.19	5.2		0.40	0.55	45		2.4
EAZS40/20-02204	8.7	2.92	22.6	1750	1.11	1.5	48	214	1.8
	14.5	4.86	20.8		1.44	2.2	57		2.2
	17.4	5.84	19.2		1.58	2.2	57.5		2.5
EAZS40/20-02204	8.3	2.80	20.4	1750	0.96	1.5	48	205	1.8
	13.9	4.66	18.9		1.28	2.2	56		2.2
	16.7	5.59	17.5		1.39	2.2	57		2.5
EAZS40/20-02204	7.9	2.66	18.5	1750	0.87	1.1	46	195	1.8
	13.2	4.43	16.9		1.11	1.5	55		2.2
	15.9	5.32	15.7		1.22	2.2	55.5		2.5
EAZS40/20-01504	7.5	2.52	16.3	1750	0.73	1.1	45.5	185	1.8
	12.5	4.20	15.2		0.96	1.5	54		2.2
	15.1	5.05	14.0		1.05	1.5	54.5		2.5
EAZS40/20-01104	7.1	2.39	14.6	1750	0.64	1.1	44	175	1.8
	11.9	3.98	13.4		0.82	1.1	53		2.2
	14.2	4.77	12.2		0.89	1.1	53.5		2.5
EAZS40/20-01104	6.7	2.25	13.1	1750	0.55	0.75	43.5	165	1.8
	11.2	3.75	11.7		0.70	1.1	50.5		2.2
	13.4	4.50	10.6		0.76	1.1	51		2.5
EAZS40/26-04004	9.6	3.22	35.0	1750	2.40	3	38	264	1.8
	16.0	5.36	33.1		2.94	4	49		1.9
	19.2	6.43	31.6		3.24	4	51		2.2
EAZS40/26-04004	9.3	3.11	32.0	1750	2.18	3	37	255	1.8
	15.4	5.18	30.2		2.67	4	47.5		1.9
	18.5	6.21	28.5		2.88	4	50		2.2
EAZS40/26-04004	8.9	2.98	29.6	1750	1.99	3	36	245	1.8
	14.8	4.97	27.5		2.39	3	46.5		1.9
	17.8	5.97	26.2		2.57	4	49.5		2.2
EAZS40/26-03004	8.5	2.86	26.8	1750	1.83	3	34	235	1.8
	14.2	4.77	25.2		2.15	3	45.5		1.9
	17.1	5.72	23.9		2.29	3	48.5		2.2
EAZS40/26-03004	8.2	2.74	24.5	1750	1.65	2.2	33	225	1.8
	13.6	4.57	22.9		1.88	3	45		1.9
	16.3	5.48	21.9		2.07	3	47		2.2
EAZS40/26-03004	7.8	2.62	22.1	1750	1.47	2.2	32	215	1.8
	13.0	4.36	20.7		1.67	2.2	44		1.9
	15.6	5.24	19.7		1.80	3	46.5		2.2
EAZS40/26-02204	7.4	2.50	20.0	1750	1.35	2.2	30	205	1.8
	12.4	4.16	18.8		1.51	2.2	42		1.9
	14.9	4.99	17.8		1.60	2.2	45		2.2
EAZS40/32-11004	10.8	3.62	54.6	1750	5.18	7.5	31	329	2.1
	18.0	6.03	51.9		6.35	11	40		2.3
	21.6	7.24	49.2		6.89	11	42		2.5
EAZS40/32-07504	10.3	3.47	49.4	1750	4.56	5.5	30.5	315	2.1
	17.2	5.78	46.6		5.47	7.5	40		2.3
	20.7	6.93	44.4		5.96	7.5	42		2.5
EAZS40/32-07504	9.8	3.30	44.6	1750	3.98	5.5	30	300	2.1
	16.4	5.50	42.2		4.84	5.5	39		2.3
	19.7	6.60	40.2		5.26	7.5	41		2.5
EAZS40/32-05504	9.4	3.14	40.5	1750	3.44	5.5	30	285	2.1
	15.6	5.23	37.9		4.29	5.5	37.5		2.3
	18.7	6.27	35.5		4.53	5.5	40		2.5



EAZS	Capacity		Head	Speed	Power(kw)		Eff	Impeller Dia.	(NPSH) _r
	m ³ /h	L/s			m	r/min			
EAZS40/32-05504	8.9	2.97	35.4	1750	2.89	4	29.5	270	2.1
	14.8	4.95	33.8		3.67	5.5	37		2.3
	17.7	5.94	31.3		3.87	5.5	39		2.5
EAZS40/32-05504	8.4	2.81	32.0	1750	2.81	4	26	255	2.1
	14.0	4.68	29.6		3.21	4	35		2.3
	16.7	5.61	28.5		3.52	5.5	37		2.5
EAZS50/13-01504	17.4	5.82	9.9	1750	0.79	1.1	59	139	2.2
	28.9	9.70	9.2		1.00	1.5	72		2.4
	34.7	11.84	8.4		1.09	1.5	73		2.7
EAZS50/13-01104	16.2	5.45	8.4	1750	0.64	1.1	58.5	130	2.2
	27.1	9.08	7.6		0.78	1.1	72		2.4
	32.5	10.89	6.8		0.84	1.1	72		2.7
EAZS50/13-01104	15.0	5.03	7.2	1750	0.47	0.75	62	120	2.2
	25.0	8.38	6.5		0.62	1.1	71		2.4
	30.0	10.05	5.5		0.65	1.1	69		2.7
EAZS50/13-00754	13.7	4.61	6.0	1750	0.37	0.55	61	110	2.2
	22.9	7.68	5.0		0.46	0.75	67		2.4
	27.5	9.21	4.1		0.48	0.75	64		2.7
EAZS50/16-03004	18.5	6.21	15.3	1750	1.19	1.5	65	174	2.1
	30.9	10.36	13.8		1.57	2.2	74		2.2
	37.1	12.43	12.8		1.85	3	70		2.4
EAZS50/16-02204	17.6	5.89	13.8	1750	1.03	1.5	64	165	2.1
	29.3	9.82	12.4		1.36	2.2	73		2.2
	35.1	11.78	11.4		1.49	2.2	73		2.4
EAZS50/16-02204	16.5	5.53	12.1	1750	0.89	1.1	61	155	2.1
	27.5	9.22	11.0		1.14	1.5	72		2.2
	33.0	11.07	10.0		1.25	2.2	72		2.4
EAZS50/16-01504	15.4	5.18	10.6	1750	0.76	1.1	59	145	2.1
	25.7	8.63	9.6		0.96	1.5	70		2.2
	30.9	10.36	8.8		1.03	1.5	71.5		2.4
EAZS50/16-01104	14.4	4.82	9.2	1750	0.63	1.1	57.5	135	2.1
	24.0	8.03	8.3		0.81	1.1	67.5		2.2
	28.8	9.64	7.3		0.85	1.1	67		2.4
EAZS50/16-01104	13.3	4.46	7.9	1750	0.51	0.75	56	125	2.1
	22.2	7.44	6.7		0.61	1.1	66		2.2
	26.6	8.93	5.8		0.65	1.1	65		2.4
EAZS50/20-04004	18.0	6.03	22.3	1750	1.85	2.2	59	214	1.3
	30.0	10.05	19.4		2.43	3	65		1.5
	36.0	12.06	17.2		2.72	4	62		1.8
EAZS50/20-03004	17.2	5.78	20.5	1750	1.67	2.2	57.5	205	1.3
	28.7	9.63	17.5		2.12	3	64.5		1.5
	34.5	11.56	15.4		2.38	3	61		1.8
EAZS50/20-03004	16.4	5.50	18.2	1750	1.49	2.2	54.5	195	1.3
	27.3	9.16	15.6		1.84	3	63		1.5
	32.8	10.99	13.7		2.04	3	60		1.8
EAZS50/20-02204	15.6	5.21	16.2	1750	1.32	2.2	52	185	1.3
	25.9	8.69	14.0		1.61	2.2	61.5		1.5
	31.1	10.43	11.9		1.73	2.2	58.5		1.8
EAZS50/20-02204	14.7	4.93	14.3	1750	1.11	1.5	51.5	175	1.3
	24.5	8.22	12.1		1.38	2.2	58.5		1.5
	29.4	9.87	10.5		1.53	2.2	55		1.8
EAZS50/20-02204	13.9	4.65	12.5	1750	0.97	1.5	49	165	1.3
	23.1	7.75	10.3		1.18	1.5	55		1.5
	27.7	9.30	8.6		1.25	2.2	52		1.8
EAZS50/26-07504	19.2	6.44	36.4	1750	3.59	5.5	53	264	1.7
	32.0	10.73	34.2		4.73	5.5	63		1.8
	38.4	12.88	32.5		5.31	7.5	64		1.9
EAZS50/26-07504	18.5	6.22	33.6	1750	3.30	5.5	51.5	255	1.7
	30.9	10.36	31.6		4.29	5.5	62		1.8
	37.1	12.44	30.0		4.81	7.5	63		1.9
EAZS50/26-05504	17.8	5.97	31.2	1750	2.94	4	51.5	245	1.7
	29.7	9.96	29.2		3.80	5.5	62		1.8
	35.6	11.95	27.8		4.25	5.5	63.5		1.9



EASZ	Capacity		Head m	Speed r/min	Power(kw)			Impeller Dia. mm	(NPSH) r
	m ³ /h	L/s			Shaft	Motor	%		
EAZS50/26-05504	17.1	5.73	28.8	1750	2.63	4	51	235	1.7
	28.5	9.55	27.1		3.44	4	61		1.8
	34.2	11.46	25.8		3.81	5.5	63		1.9
EAZS50/26-05504	16.4	5.49	26.4	1750	2.36	4	50	225	1.7
	27.3	9.14	24.8		3.06	4	60		1.8
	32.7	10.97	23.5		3.40	5.5	61.5		1.9
EAZS50/26-04004	15.6	5.24	24.1	1750	2.08	3	49.5	215	1.7
	26.1	8.74	22.6		2.70	4	59.5		1.8
	31.3	10.49	21.4		2.99	4	61		1.9
EAZS50/26-04004	14.9	5.00	22.0	1750	1.83	3	49	205	1.7
	24.9	8.33	20.4		2.36	3	58.5		1.8
	29.8	10.00	19.2		2.60	4	60		1.9
EAZS50/32-15004	30.2	10.14	51.9	1750	8.21	11	52	329	1.5
	50.4	16.90	45.3		10.72	15	58		2.2
	60.5	20.28	40.5		12.12	15	55		2.7
EAZS50/32-15004	29.0	9.71	47.3	1750	7.18	11	52	315	1.5
	48.3	16.18	39.8		9.08	11	57.5		2.2
	57.9	19.41	36.3		10.40	15	55		2.7
EAZS50/32-11004	27.6	9.24	42.8	1750	6.18	7.5	52	300	1.5
	46.0	15.41	36.6		8.02	11	57		2.2
	55.1	18.49	32.6		9.07	11	54		2.7
EAZS50/32-11004	26.2	8.78	38.0	1750	5.21	7.5	52	285	1.5
	43.7	14.64	32.6		6.92	11	56		2.2
	52.4	17.56	28.5		7.61	11	53.5		2.7
EAZS50/32-07504	24.8	8.32	33.5	1750	4.35	5.5	52	270	1.5
	41.4	13.87	28.8		5.80	7.5	56		2.2
	49.6	16.64	25.1		6.51	7.5	52		2.7
EAZS50/32-07504	23.4	7.86	29.4	1750	3.61	5.5	52	255	1.5
	39.1	13.10	28.8		5.58	7.5	55		2.2
	46.9	15.72	21.7		5.33	7.5	52		2.7
EAZS65/13-02204	29.0	9.71	9.3	1750	1.13	1.5	65	139	2.3
	48.3	16.18	8.0		1.35	2.2	78		2.4
	57.9	19.42	7.0		1.43	2.2	77		2.7
EAZS65/13-01504	27.1	9.08	8.0	1750	0.87	1.1	68	130	2.3
	45.2	15.14	6.7		1.06	1.5	78		2.4
	54.2	18.16	5.2		1.03	1.5	75		2.7
EAZS65/13-01104	25.0	8.38	6.7	1750	0.68	1.1	67.5	120	2.3
	41.7	13.97	5.5		0.81	1.1	77.5		2.4
	50.0	16.77	4.4		0.80	1.1	74		2.7
EAZS65/16-03004	30.0	10.06	14.9	1750	1.84	2.2	66	174	2
	50.0	16.76	12.8		2.24	3	78		2.3
	60.0	20.12	11.4		2.41	3	77		2.6
EAZS65/16-03004	28.5	9.54	13.4	1750	1.58	2.2	65.5	165	2
	47.4	15.90	10.9		1.83	3	77		2.3
	56.9	19.08	9.8		2.02	3	75		2.6
EAZS65/16-02204	26.7	8.96	11.8	1750	1.32	2.2	65	155	2
	44.5	14.93	10.3		1.66	2.2	75.5		2.3
	53.5	17.92	8.6		1.69	2.2	74		2.6
EAZS65/16-02204	25.0	8.38	10.3	1750	1.10	1.5	64	145	2
	41.7	13.97	8.7		1.34	2.2	74		2.3
	50.0	16.76	7.6		1.43	2.2	72		2.6
EAZS65/16-01504	23.3	7.80	8.9	1750	0.93	1.5	61	135	2
	38.8	13.01	7.6		1.11	1.5	72		2.3
	46.6	15.61	6.6		1.19	1.5	70		2.6
EAZS65/16-01504	21.6	7.23	8.0	1750	0.78	1.1	60	125	2
	35.9	12.04	6.5		0.92	1.5	69		2.3
	43.1	14.45	5.5		0.97	1.5	67		2.6



EAZS	Capacity		Head	Speed	Power(kw)		Eff	Impeller Dia.	(NPSH)r
	m ³ /h	L/s			m	r/min			
EAZS65/20-05504	33.0	11.06	22.7	1750	3.14	4	65	214	1.7
	55.0	18.43	20.0		4.12	5.5	72.5		1.9
	66.0	22.12	16.6		4.20	5.5	71		2.1
EAZS65/20-05504	31.6	10.59	20.5	1750	2.76	4	64	205	1.7
	52.7	17.65	18.1		3.57	5.5	72.5		1.9
	63.2	21.19	16.2		3.86	5.5	72		2.1
EAZS65/20-05504	30.1	10.08	18.6	1750	2.45	3	62	195	1.7
	50.1	16.79	16.3		3.10	4	72		1.9
	60.1	20.15	14.6		3.32	5.5	72		2.1
EAZS65/20-04004	28.5	9.56	16.6	1750	2.15	3	60	185	1.7
	47.5	15.93	14.6		2.64	4	71.5		1.9
	57.0	19.12	13.2		2.88	4	71		2.1
EAZS65/20-03004	27.0	9.04	14.9	1750	1.95	2.2	56	175	1.7
	45.0	15.07	13.0		2.28	3	69.5		1.9
	53.9	18.08	11.4		2.42	3	69		2.1
EAZS65/20-03004	25.4	8.53	13.1	1750	1.65	2.2	55	165	1.7
	42.4	14.21	11.2		1.90	3	68		1.9
	50.9	17.05	9.9		2.08	3	66		2.1
EAZS65/26-11004	36.0	12.07	35.8	1750	5.95	7.5	59	264	1.7
	60.0	20.12	33.5		7.60	11	72		1.9
	72.0	24.14	31.6		8.49	11	73		2
EAZS65/26-11004	34.8	11.66	33.1	1750	5.31	7.5	59	255	1.7
	58.0	19.43	31.3		6.85	11	72		1.9
	69.6	23.32	29.1		7.56	11	73		2
EAZS65/26-07504	33.4	11.20	30.5	1750	4.79	7.5	58	245	1.7
	55.7	18.67	28.9		6.16	7.5	71		1.9
	66.8	22.41	26.7		6.69	7.5	72.5		2
EAZS65/26-07504	32.1	10.75	28.5	1750	4.37	5.5	57	235	1.7
	53.4	17.91	26.5		5.51	7.5	70		1.9
	64.1	21.49	24.8		6.00	7.5	72		2
EAZS65/26-07504	30.7	10.29	26.4	1750	3.93	5.5	56	225	1.7
	51.1	17.15	24.3		4.91	7.5	69		1.9
	61.4	20.58	22.3		5.40	7.5	69		2
EAZS65/26-07504	29.3	9.83	23.9	1750	3.47	5.5	55	215	1.7
	48.9	16.38	22.0		4.37	5.5	67		1.9
	58.6	19.66	20.2		4.82	7.5	67		2
EAZS65/26-05504	28.0	9.37	21.8	1750	3.14	4	53	205	1.7
	46.6	15.62	20.1		3.89	5.5	65.5		1.9
	55.9	18.75	18.2		4.26	5.5	65		2
EAZS65/32-18504	39.0	13.08	53.9	1750	10.60	15	54	329	1.9
	65.0	21.80	49.5		13.70	18.5	64		2
	78.0	26.16	46.2		15.09	18.5	65		2.1
EAZS65/32-15004	37.3	12.52	48.7	1750	9.25	15	53.5	315	1.9
	62.2	20.87	44.6		11.80	15	64		2
	74.7	25.04	41.4		13.04	15	64.5		2.1
EAZS65/32-15004	35.6	11.93	43.7	1750	7.98	11	53	300	1.9
	59.3	19.88	39.6		9.99	15	64		2
	71.1	23.85	36.1		10.93	15	64		2.1
EAZS65/32-11004	33.8	11.33	39.3	1750	6.96	11	52	285	1.9
	56.3	18.88	35.2		8.51	11	63.5		2
	67.6	22.66	31.8		9.20	11	63.5		2.1
EAZS65/32-11004	32.0	10.73	35.3	1750	6.09	7.5	50.5	270	1.9
	53.4	17.89	31.2		7.24	11	62.5		2
	64.0	21.47	27.7		7.78	11	62		2.1
EAZS65/32-11004	30.2	10.14	30.7	1750	5.16	7.5	49	255	1.9
	50.4	16.89	27.7		6.12	11	62		2
	60.5	20.27	24.2		6.63	11	60		2.1
EAZS80/16-05504	48.0	16.09	14.4	1750	2.85	4	66	174	2.3
	80.0	26.82	12.8		3.58	5.5	78		2.5
	96.0	32.18	11.5		3.91	5.5	77		3.7



EASZ	Capacity		Head	Speed	Power(kw)		Eff	Impeller Dia.	(NPSH) _r
	m ³ /h	L/s			m	r/min			
EAZS80/16-04004	45.5	15.26	12.7	1750	2.42	3	65	165	2.3
	75.9	25.43	10.9		2.91	4	77.5		2.5
	91.0	30.52	9.5		3.13	4	75		3.7
EAZS80/16-04004	42.8	14.33	10.9	1750	2.02	3	63	155	2.3
	71.3	23.89	9.2		2.33	4	76.5		2.5
	85.5	28.67	7.7		2.51	4	71.5		3.7
EAZS80/16-03004	40.0	13.41	9.8	1750	1.71	2.2	62	145	2.3
	66.7	22.35	8.0		1.94	3	75		2.5
	80.0	26.82	6.6		2.04	3	70		3.7
EAZS80/16-02204	37.2	12.48	8.5	1750	1.41	2.2	61	135	2.3
	62.1	20.81	6.7		1.62	2.2	70		2.5
	74.5	24.97	5.5		1.65	2.2	68		3.7
EAZS80/20-11004	57.0	19.11	22.4	1750	5.04	7.5	69	214	1.9
	95.0	31.85	20.5		6.56	11	81		2
	114.0	38.22	19.1		7.27	11	81.5		2.4
EAZS80/20-07504	54.6	18.31	20.4	1750	4.46	7.5	68	205	1.9
	91.0	30.51	18.5		5.66	7.5	81		2
	109.2	36.61	16.9		6.20	7.5	81		2.4
EAZS80/20-07504	51.9	17.41	18.4	1750	3.99	5.5	65	195	1.9
	86.6	29.02	16.3		4.81	7.5	80		2
	103.9	34.83	14.7		5.20	7.5	80		2.4
EAZS80/20-05504	49.3	16.52	16.5	1750	3.52	5.5	63	185	1.9
	82.1	27.53	14.6		4.15	5.5	78.5		2
	98.6	33.04	12.8		4.41	5.5	78		2.4
EAZS80/20-05504	46.6	15.63	14.6	1750	2.98	4	62	175	1.9
	77.7	26.05	12.7		3.53	5.5	76		2
	93.2	31.25	10.9		3.70	5.5	75		2.4
EAZS80/20-04004	44.0	14.73	12.8	1750	2.53	4	60.5	165	1.9
	73.3	24.56	10.8		2.90	4	74		2
	87.9	29.47	9.3		3.10	4	72		2.4
EAZS80/26-15004	57.0	19.11	35.0	1750	8.22	11	66	264	1.6
	95.0	31.85	31.3		10.66	15	76		2
	114.0	38.22	28.4		11.75	15	75		2.4
EAZS80/26-15004	55.1	18.46	32.6	1750	7.19	11	68	255	1.6
	91.8	30.76	29.2		9.73	11	75		2
	110.1	36.92	26.1		10.86	15	72		2.4
EAZS80/26-11004	52.9	17.73	30.1	1750	6.47	7.5	67	245	1.6
	88.2	29.56	26.5		8.43	11	75.5		2
	105.8	35.47	23.7		9.24	11	74		2.4
EAZS80/26-11004	50.7	17.01	28.0	1750	5.81	7.5	66.5	235	1.6
	84.6	28.35	24.0		7.38	11	75		2
	101.5	34.02	21.4		8.10	11	73		2.4
EAZS80/26-11004	48.6	16.29	25.6	1750	5.10	7.5	66.5	225	1.6
	81.0	27.14	22.0		6.52	11	74.5		2
	97.2	32.57	19.2		6.97	11	73		2.4
EAZS80/26-07504	46.4	15.56	23.3	1750	4.46	5.5	66	215	1.6
	77.4	25.94	20.1		5.73	7.5	74		2
	92.8	31.13	17.3		6.08	7.5	72		2.4
EAZS80/26-07504	44.3	14.84	21.1	1750	3.89	5.5	65.5	205	1.6
	73.8	24.73	18.4		5.05	7.5	73		2
	88.5	29.68	15.6		5.33	7.5	70.5		2.4
EAZS80/32-30004	72.4	20.12	52.1	1750	17.72	22	58	329	1.5
	120.7	33.53	48.7		23.17	30	69		1.8
	144.8	40.23	45.6		25.32	30	71		2
EAZS80/32-30004	69.3	19.26	47.3	1750	15.68	18.5	57	315	1.5
	115.6	32.10	43.8		19.70	22	70		1.8
	138.7	38.52	41.4		22.09	30	70.7		2
EAZS80/32-22004	66.0	18.34	43.3	1750	13.76	18.5	56.5	300	1.5
	110.1	30.57	40.1		17.14	22	70		1.8
	132.1	36.69	37.3		18.96	22	70.7		2



EAZS	Capacity		Head	Speed	Power(kw)			Eff	Impeller Dia.	(NPSH)r
	m ³ /h	L/s			m	r/min	Shaft			
EAZS80/32-18504	62.7	17.43	39.0	1750	11.91	15	56	285	1.5	
	104.6	29.04	36.3		14.73	18.5	70.1		1.8	
	125.5	34.85	33.2		16.07	18.5	70.6		2	
EAZS80/32-15004	59.4	16.51	33.9	1750	9.81	15	56	270	1.5	
	99.1	27.52	31.3		12.01	15	70.3		1.8	
	118.9	33.02	28.7		13.19	15	70.4		2	
EAZS80/32-15004	56.1	15.59	29.7	1750	7.97	11	57	255	1.5	
	93.6	25.99	27.4		9.89	15	70.5		1.8	
	112.3	31.18	24.9		10.81	15	70.4		2	
EAZS80/40-55004	72.4	20.12	82.3	1750	31.50	37	51.5	409	1.8	
	120.7	33.53	76.0		40.62	55	61.5		2	
	144.8	40.23	69.6		44.86	55	61.2		2.3	
EAZS80/40-45004	69.9	19.43	75.9	1750	27.79	37	52	395	2.2	
	116.6	32.38	69.6		35.92	45	61.5		2.4	
	139.9	38.86	64.4		40.12	45	61.1		3.2	
EAZS80/40-45004	67.3	18.69	70.4	1750	25.27	30	51	380	2.2	
	112.1	31.15	64.4		31.96	37	61.5		2.4	
	134.6	37.38	58.6		35.75	45	60		3	
EAZS80/40-37004	64.6	17.95	64.4	1750	21.99	30	51.5	365	2.2	
	107.7	29.92	58.6		28.01	37	61.3		2.3	
	129.3	35.90	53.5		31.35	37	60		2.8	
EAZS80/40-30004	62.0	17.21	58.6	1750	19.37	30	51	350	2.2	
	103.3	28.69	53.2		24.75	30	60.4		2.3	
	123.9	34.43	48.5		27.65	30	59.2		2.8	
EAZS80/40-30004	59.3	16.48	53.6	1750	17.50	22	49.5	335	2.2	
	98.9	27.46	48.8		22.03	30	59.6		2.3	
	118.6	32.95	44.3		24.36	30	58.7		2.8	
EAZS80/40-30004	56.7	15.74	48.4	1750	15.54	18.5	48	320	2.2	
	94.4	26.23	44.3		19.53	30	58.3		2.3	
	113.3	31.48	40.5		21.80	30	57.3		2.8	
EAZS100/16-07504	91.2	25.34	12.8	1750	4.75	5.5	67	176	2	
	152.1	42.24	10.5		5.36	7.5	81		2.1	
	182.5	50.69	8.4		5.46	7.5	76.2		2.7	
EAZS100/16-05504	85.5	23.76	11.4	1750	3.89	5.5	68	165	2	
	142.6	39.60	9.0		4.41	5.5	79.5		2.1	
	171.1	47.52	8.0		4.75	5.5	78.5		2.7	
EAZS100/16-05504	80.4	22.32	9.9	1750	3.23	4	67	155	2	
	133.9	37.20	8.0		3.76	5.5	77.6		2.1	
	160.7	44.84	6.6		3.80	5.5	75.5		2.7	
EAZS100/16-04004	75.2	20.88	8.8	1750	2.78	4	64.5	145	2	
	125.3	34.80	7.0		3.14	4	76		2.1	
	150.3	41.76	5.7		3.18	4	73		2.7	
EAZS100/20-15004	102.8	28.56	21.7	1750	8.68	11	70	214	1.7	
	171.4	47.60	18.9		11.04	15	80		1.9	
	205.6	57.12	16.2		12.07	15	75		2.2	
EAZS100/20-15004	98.5	27.36	19.5	1750	7.48	11	70	205	1.7	
	164.2	45.60	16.8		9.48	15	79		1.9	
	197.0	54.72	14.3		10.14	15	75.5		2.2	
EAZS100/20-11004	93.7	26.02	17.7	1750	6.62	7.5	68	195	1.7	
	156.1	43.37	14.6		8.04	11	77		1.9	
	187.4	52.05	12.1		8.33	11	74		2.2	
EAZS100/20-11004	88.9	24.69	15.7	1750	5.68	7.5	67	185	1.7	
	148.1	41.15	12.7		6.77	7.5	75.5		1.9	
	177.8	49.38	10.3		7.05	11	71		2.2	
EAZS100/20-07504	84.1	23.36	13.8	1750	5.03	5.5	63	175	1.7	
	140.1	38.93	10.6		5.52	7.5	73.5		1.9	
	168.2	46.71	8.3		5.59	7.5	68		2.2	
EAZS100/20-05504	79.3	22.02	12.1	1750	4.35	5.5	60	165	1.7	
	132.1	36.70	8.9		4.51	5.5	70.8		1.9	
	158.5	44.04	6.6		4.56	5.5	62		2.2	



EAZS Model	Capacity		Head m	Speed r/min	Power(kw)		Eff %	Impeller Dia. mm	(NPSH)r m
	m ³ /h	L/s			Shaft	Motor			
EAZS100/26-30004	107.2	29.77	36.0	1750	15.67	18.5	67	264	1.8
	178.6	49.62	32.0		19.98	30	78		2
	214.3	59.54	28.5		22.21	30	75		2.3
EAZS100/26-30004	103.5	28.75	33.2	1750	14.07	18.5	66.5	255	1.8
	172.5	47.92	29.7		18.24	22	76.5		2
	207.0	57.51	26.2		20.10	30	73.5		2.3
EAZS100/26-22004	99.5	27.63	30.7	1750	12.61	15	66	245	1.8
	165.8	46.04	27.4		16.50	18.5	75		2
	198.9	55.25	24.2		17.95	22	73		2.3
EAZS100/26-18504	95.4	26.50	28.1	1750	11.23	15	65	235	1.8
	159.0	44.17	24.8		14.58	18.5	73.5		2
	190.8	53.00	21.7		15.88	18.5	71		2.3
EAZS100/26-15004	91.3	25.37	25.6	1750	10.28	15	62	225	1.8
	152.2	42.29	22.3		12.83	15	72		2
	182.7	50.74	19.2		13.86	15	69		2.3
EAZS100/26-15004	87.3	24.24	23.3	1750	8.93	11	62	215	1.8
	145.5	40.41	19.8		10.89	15	72		2
	174.6	48.49	16.8		11.62	15	68.5		2.3
EAZS100/26-15004	83.2	23.12	21.0	1750	8.05	11	59	205	1.8
	138.7	38.53	17.5		9.71	11	68		2
	166.4	46.23	14.6		10.31	15	64		2.3
EAZS100/32-37004	97.8	27.16	55.4	1750	21.66	30	68	329	2
	162.9	45.26	49.5		28.31	37	77.6		2.2
	195.5	54.31	44.0		32.07	37	73		2.7
EAZS100/32-37004	93.6	26.00	50.1	1750	19.06	22	67	315	2
	156.0	43.33	45.2		25.16	30	76.2		2.2
	187.2	52.00	40.2		28.45	37	72		2.7
EAZS100/32-30004	89.1	24.76	45.3	1750	16.66	22	66	300	2
	148.6	41.27	40.8		22.29	30	74		2.2
	178.3	49.52	36.4		24.89	30	71		2.7
EAZS100/32-30004	84.7	23.52	41.1	1750	14.57	18.5	65	285	2
	141.1	39.21	36.4		19.57	22	71.5		2.2
	169.4	47.05	32.2		22.32	30	66.5		2.7
EAZS100/32-22004	80.2	22.29	37.4	1750	13.19	18.5	62	270	2
	133.7	37.14	32.5		17.39	22	68		2.2
	160.5	44.57	28.9		19.57	22	64.5		2.7
EAZS100/32-22004	75.8	21.05	33.4	1750	11.67	15	59	255	2
	126.3	35.08	28.8		15.25	18.5	65		2.2
	151.5	42.09	24.5		16.82	22	60		2.7
EAZS100/40-75004	109.5	30.41	82.7	1750	39.77	45	62	409	1.5
	182.5	50.69	75.5		52.79	75	71		1.8
	219.0	60.83	68.5		60.46	75	67.5		2.1
EAZS100/40-75004	105.7	29.37	76.3	1750	36.02	45	61	395	1.5
	176.2	48.95	69.0		47.66	55	69.5		1.8
	211.5	58.75	62.1		54.13	75	66		2.1
EAZS100/40-55004	101.7	28.26	70.2	1750	32.40	37	60	380	1.5
	169.5	47.10	63.2		43.55	55	67		1.8
	203.5	56.51	56.5		47.79	55	65.5		2.1
EAZS100/40-55004	97.7	27.14	64.8	1750	29.73	37	58	365	1.5
	162.9	45.24	57.5		38.36	45	66.5		1.8
	195.4	54.28	51.0		42.38	55	64		2.1
EAZS100/40-45004	93.7	26.03	59.1	1750	26.23	30	57.5	350	1.5
	156.2	43.38	52.3		34.20	37	65		1.8
	187.4	52.05	46.2		37.69	45	62.5		2.1
EAZS100/40-37004	89.7	24.91	54.6	1750	23.81	30	56	335	1.5
	149.5	41.52	47.9		30.47	37	64		1.8
	179.4	49.82	42.0		33.58	37	61		2.1
EAZS100/40-37004	85.7	23.80	49.5	1750	21.00	30	55	320	1.5
	142.8	39.66	43.4		26.78	30	63		1.8
	171.3	47.59	37.6		29.71	37	59		2.1



EAZS	Capacity		Head m	Speed r/min	Power(kw)		Eff %	Impeller Dia. mm	(NPSH)r m
	m ³ /h	L/s			Shaft	Motor			
EAZS125/20-18504	138.2	38.38	21.8	1750	13.25	15	62	214	1.3
	230.3	63.97	19.4		15.37	18.5	79		1.7
	276.3	76.76	17.0		16.33	18.5	78.5		1.85
EAZS125/20-15004	132.4	36.77	19.4	1750	11.44	15	61	205	1.3
	220.6	61.28	16.8		13.06	15	77		1.7
	264.7	73.53	14.4		13.67	15	76		1.85
EAZS125/20-15004	125.9	34.97	17.0	1750	9.90	11	59	195	1.3
	209.8	58.29	14.1		10.76	15	75		1.7
	251.8	69.94	11.8		11.23	15	72		1.85
EAZS125/20-11004	119.4	33.18	14.9	1750	8.33	11	58	185	1.3
	199.1	55.30	11.7		9.02	11	70		1.7
	238.9	66.36	9.2		9.04	11	66		1.85
EAZS125/26-37004	173.8	48.28	35.0	1750	23.30	30	71	264	2.2
	289.7	80.46	32.3		30.36	37	84		2.8
	347.6	96.56	29.9		33.84	37	83.5		3.3
EAZS125/26-37004	167.9	46.63	31.9	1750	20.53	30	71	255	2.2
	279.8	77.72	29.3		26.71	30	83.5		2.8
	335.8	93.27	26.7		29.35	37	83		3.3
EAZS125/26-30004	161.3	44.80	29.1	1750	18.27	22	70	245	2.2
	268.8	74.67	26.7		23.50	30	83		2.8
	322.6	89.61	24.0		25.90	30	81.5		3.3
EAZS125/26-30004	154.7	42.98	26.7	1750	16.04	18.5	70	235	2.2
	257.9	71.63	23.9		20.70	30	81		2.8
	309.4	85.95	21.1		22.24	30	80		3.3
EAZS125/26-22004	148.1	41.15	24.2	1750	14.13	18.5	69	225	2.2
	246.9	68.58	21.0		17.62	22	80		2.8
	296.3	82.29	18.1		19.04	22	76.5		3.3
EAZS125/26-22004	141.5	39.32	21.7	1750	12.30	15	68	215	2.2
	235.9	65.53	18.5		15.23	18.5	78		2.8
	283.1	78.64	15.6		16.45	22	73		3.3
EAZS125/26-18504	135.0	37.49	19.4	1750	10.62	15	67	205	2.2
	224.9	62.48	16.0		13.08	15	75		2.8
	269.9	74.98	13.1		14.06	18.5	68.5		3.3
EAZS125/32-55004	144.9	40.26	51.0	1750	30.95	37	65	329	1.7
	241.6	67.10	47.6		39.40	45	79.5		2.2
	289.9	80.52	44.9		43.71	55	81		2.7
EAZS125/32-45004	138.8	38.55	46.5	1750	27.01	30	65	315	1.7
	231.3	64.25	43.6		34.71	37	79		2.2
	277.6	77.10	41.1		38.79	45	80		2.7
EAZS125/32-37004	132.2	36.71	42.2	1750	23.56	30	64.5	300	1.7
	220.3	61.19	39.3		30.04	37	78.5		2.2
	264.3	73.43	37.1		33.41	37	80		2.7
EAZS125/32-37004	125.6	34.88	38.2	1750	20.38	30	64	285	1.7
	209.3	58.13	35.5		25.96	30	78		2.2
	251.1	69.76	33.4		28.50	37	80		2.7
EAZS125/32-30004	119.0	33.04	33.8	1750	17.10	22	64	270	1.7
	198.3	55.07	31.2		22.14	30	76		2.2
	237.9	66.08	29.0		24.07	30	78		2.7
EAZS125/32-30004	112.3	31.21	30.0	1750	14.80	18.5	62	255	1.7
	187.2	52.01	27.4		18.86	22	74		2.2
	224.7	62.41	25.2		20.28	30	76		2.7
EAZS125/40-90004	164.8	45.78	69.5	1750	49.48	55	63	380	1.5
	274.7	76.31	62.8		65.66	75	71.5		2.8
	329.6	91.57	57.8		73.09	90	71		4
EAZS125/40-75004	158.3	43.98	63.2	1750	43.94	55	62	365	1.5
	263.9	73.29	58.0		58.65	75	71		2.8
	316.6	87.95	53.2		65.47	75	70		4
EAZS125/40-75004	151.8	42.17	58.1	1750	39.37	45	61	350	1.5
	253.0	70.28	53.3		53.22	75	69		2.8
	303.6	84.34	48.4		58.78	75	68		4



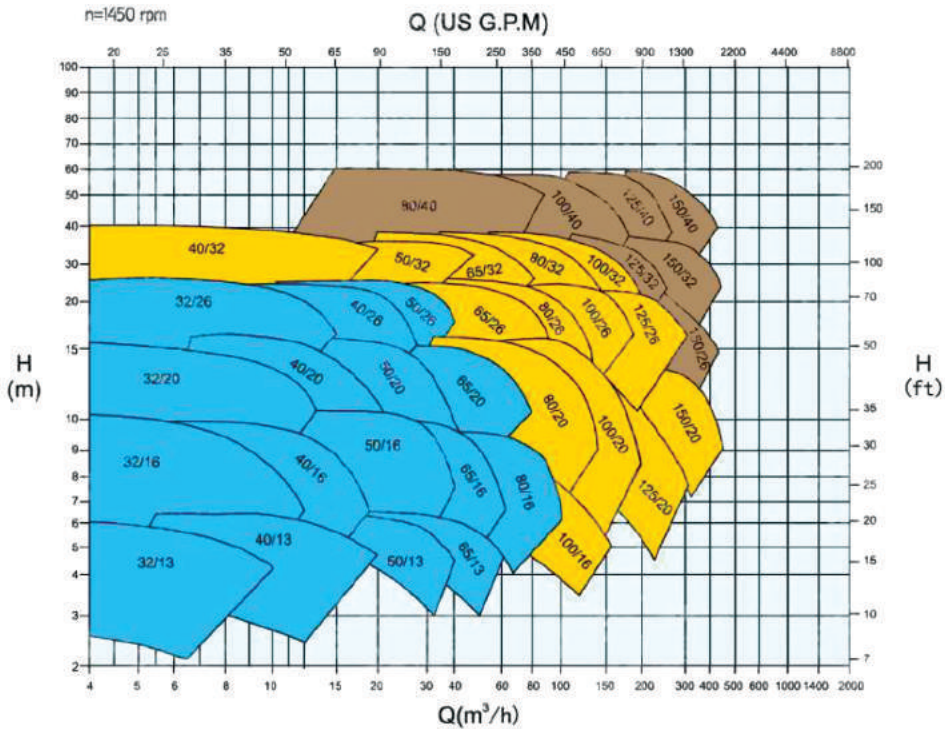
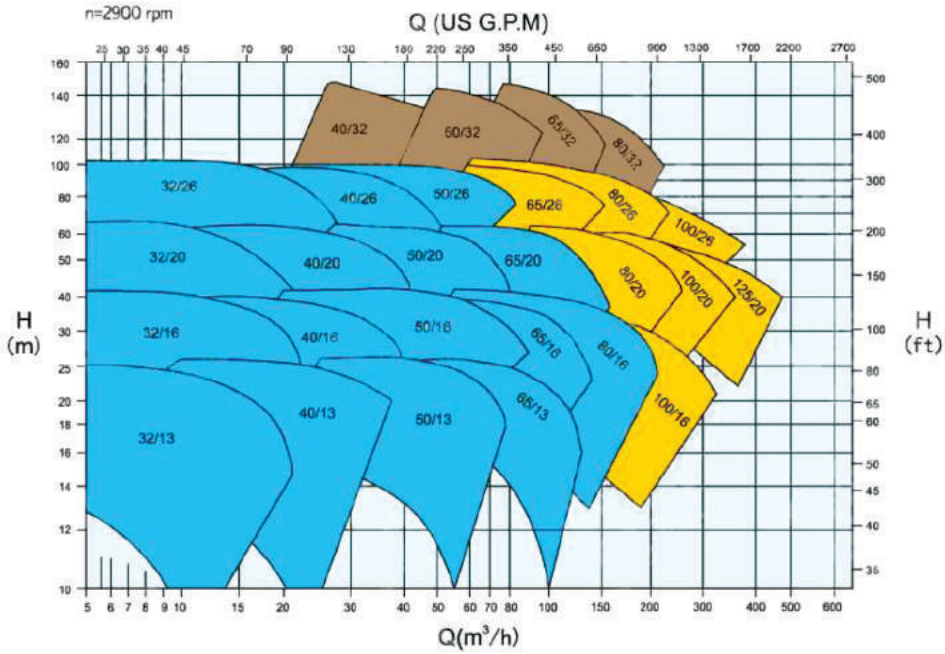
EAZS	Capacity		Head	Speed	Power(kw)		Eff	Impeller Dia.	(NPSH)r
	Model	m ³ /h			L/s	m			
EAZS125/40-75004	145.3	40.36	53.6	1750	35.34	45	60	335	1.5
	242.2	67.27	48.8		48.01	55	67		2.8
	290.6	80.72	43.8		51.77	75	67		4
EAZS125/40-55004	138.8	38.55	48.5	1750	31.06	37	59	320	1.5
	231.3	64.26	43.8		41.83	55	66		2.8
	277.6	77.11	39.3		45.72	55	65		4
EAZS150/20-30004	260.7	72.41	20.5	1750	23.51	30	62	214	3
	434.5	120.69	17.8		26.27	30	80		3.5
	521.4	144.83	15.4		29.03	30	75.5		4
EAZS150/20-30004	249.7	69.37	18.6	1750	20.78	30	61	205	3
	416.2	115.61	15.7		22.85	30	78		3.5
	499.5	138.74	13.4		24.96	30	73		4
EAZS150/20-30004	237.5	65.98	16.8	1750	18.36	22	59	195	3
	395.9	109.97	13.8		19.75	22	75.5		3.5
	475.1	131.97	11.4		20.99	30	70		4
EAZS150/20-22004	225.4	62.60	14.9	1750	15.99	18.5	57	185	3
	375.6	104.33	11.9		17.20	22	71		3.5
	450.7	125.20	9.6		18.15	22	65		4
EAZS150/20-18504	213.2	59.22	13.0	1750	14.19	18.5	53	175	3
	355.3	98.70	10.1		14.73	18.5	66		3.5
	426.4	118.43	7.7		15.19	18.5	59		4
EAZS150/26-55004	234.6	65.17	33.6	1750	29.85	37	72	264	1.7
	391.0	108.62	30.6		39.95	45	81.5		2.1
	469.2	130.35	26.1		44.41	55	75		4
EAZS150/26-45004	226.6	62.95	30.9	1750	26.46	30	72	255	1.7
	377.7	104.92	27.5		35.83	45	79		2.1
	453.2	125.90	22.7		38.94	45	72		4
EAZS150/26-37004	217.7	60.48	28.1	1750	23.47	30	71	245	1.7
	362.9	100.80	24.3		31.21	37	77		2.1
	435.5	120.96	19.5		34.03	37	68		4
EAZS150/26-37004	208.8	58.01	25.6	1750	20.82	30	70	235	1.7
	348.1	96.69	21.4		27.23	37	74.5		2.1
	417.7	116.03	16.3		28.98	37	64		4
EAZS150/26-30004	200.0	55.54	23.2	1750	18.82	22	67	225	1.7
	333.3	92.57	18.4		23.13	30	72		2.1
	399.9	111.09	13.5		25.00	30	59		4
EAZS150/26-30004	191.1	53.08	20.7	1750	16.55	22	65	215	1.7
	318.5	88.46	15.0		20.32	30	64		2.1
	382.1	106.15	10.3		21.10	30	51		4
EAZS150/32-90004	267.9	74.43	52.4	1750	52.39	75	73	329	2.1
	446.6	124.05	49.5		71.25	90	84.5		3
	535.9	148.85	45.4		79.40	90	83.5		4
EAZS150/32-75004	256.5	71.26	47.6	1750	45.57	55	73	315	2.1
	427.6	118.77	44.1		61.89	75	83		3
	513.1	142.52	39.5		68.07	75	81		4
EAZS150/32-75004	244.3	67.87	42.7	1750	39.42	45	72	300	2.1
	407.2	113.11	38.7		53.02	75	81		3
	488.6	135.73	34.1		57.39	75	79		4
EAZS150/32-55004	232.1	64.47	38.2	1750	33.96	45	71	285	2.1
	386.8	107.46	33.5		44.66	55	79		3
	464.2	128.95	28.7		47.71	55	76		4
EAZS150/32-45004	219.9	61.08	33.8	1750	28.90	37	70	270	2.1
	366.5	101.80	28.8		37.37	45	77		3
	439.8	122.16	24.0		39.41	45	73		4
EAZS150/32-37004	207.7	57.69	29.4	1750	24.11	30	69	255	2.1
	346.1	96.14	24.2		30.38	37	75		3
	415.3	115.37	18.9		31.03	37	69		4



EAZS	Capacity		Head	Speed	Power(kw)		Eff	Impeller Dia.	(NPSH)r	
	Model	m ³ /h			L/s	m				r/min
EAZS150/40-90004		238.6	66.27	56.2	1750	56.18	75	65	350	2
		397.6	110.45	49.7		70.74	90	76		3.3
		477.1	132.54	43.1		74.17	90	75.5		4.6
EAZS150/40-75004		228.3	63.43	51.6	1750	50.08	75	64	335	2
		380.6	105.71	45.4		64.50	75	73		3.3
		456.7	126.86	39.3		67.91	75	72		4.6
EAZS150/40-75004		218.1	60.59	46.8	1750	43.72	55	63.5	320	2
		363.5	100.98	41.4		56.08	75	73		3.3
		436.2	121.18	35.5		58.62	75	72		4.6



EAZS Series-50Hz Performance





EAZS Series-60Hz Performance

