



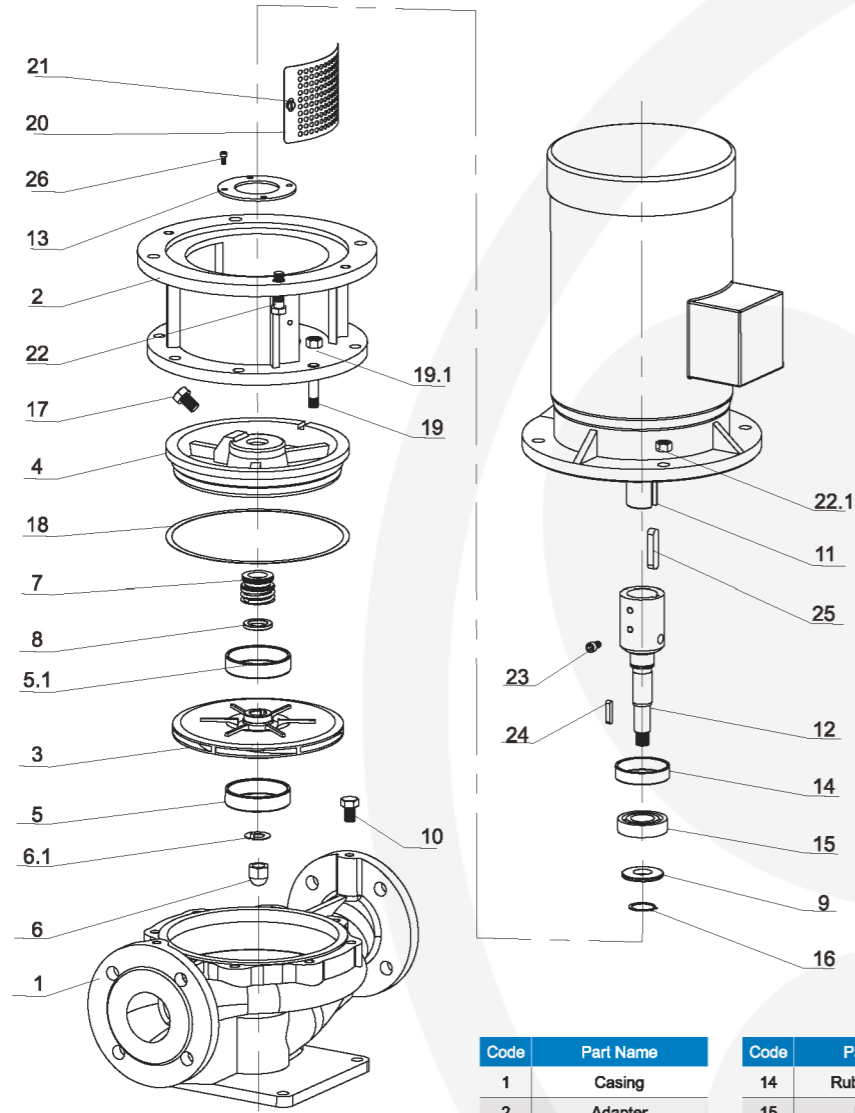
G.P.T.CO

EG series

Vertical In-line Centrifugal Pump

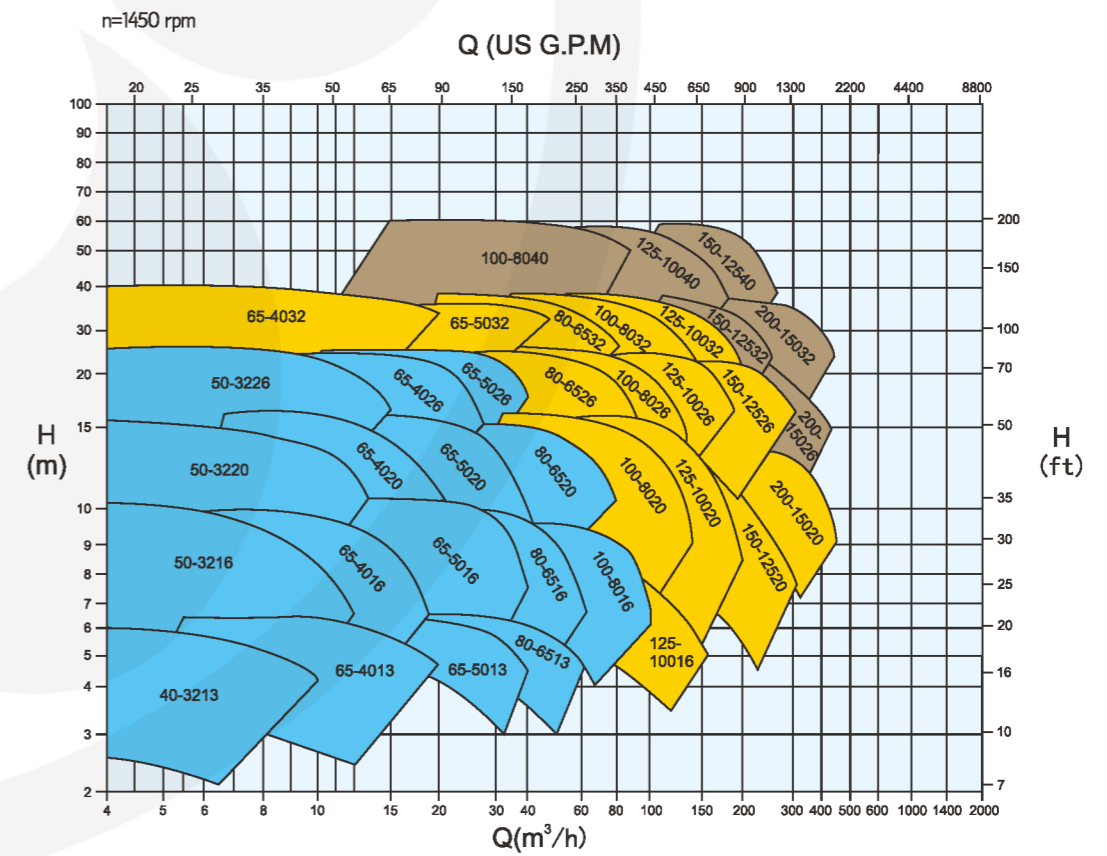
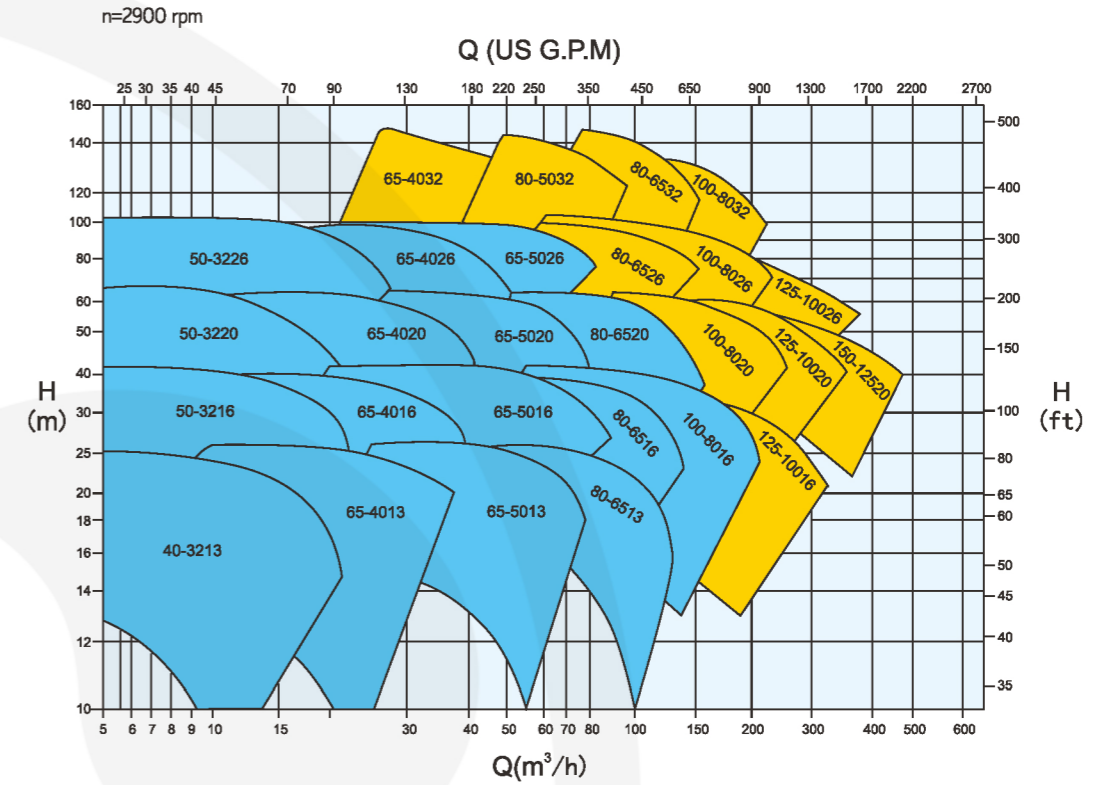
EG series Vertical In-line Centrifugal Pump

EG Series Explode View & List of Parts



Code	Part Name	Code	Part Name
1	Casing	14	Rubber Check
2	Adapter	15	Bearing
3	Impeller	16	External Circlip
4	Casing Cover	17	Plug
5	Wear Ring (Front)	18	Casing Gasket
5.1	Wear Ring (Back)	19	Screw Bolt
6	Impeller Nut	19.1	Screw Nut
6.1	Lock Washer	20	Guard
7	Mech. Seal	21	Screw
8	Seal Seat	22	Screw Bolt
9	Rubber Slinger	22.1	Screw Nut
10	Plug	23	Screw
11	V1 Motor	24	Key
12	Shaft	25	Key
13	Bearing Cover	26	Screw

EG Series-50Hz Performance



Performance to ISO9906 Grade 2 for clean cold water only



EG
series

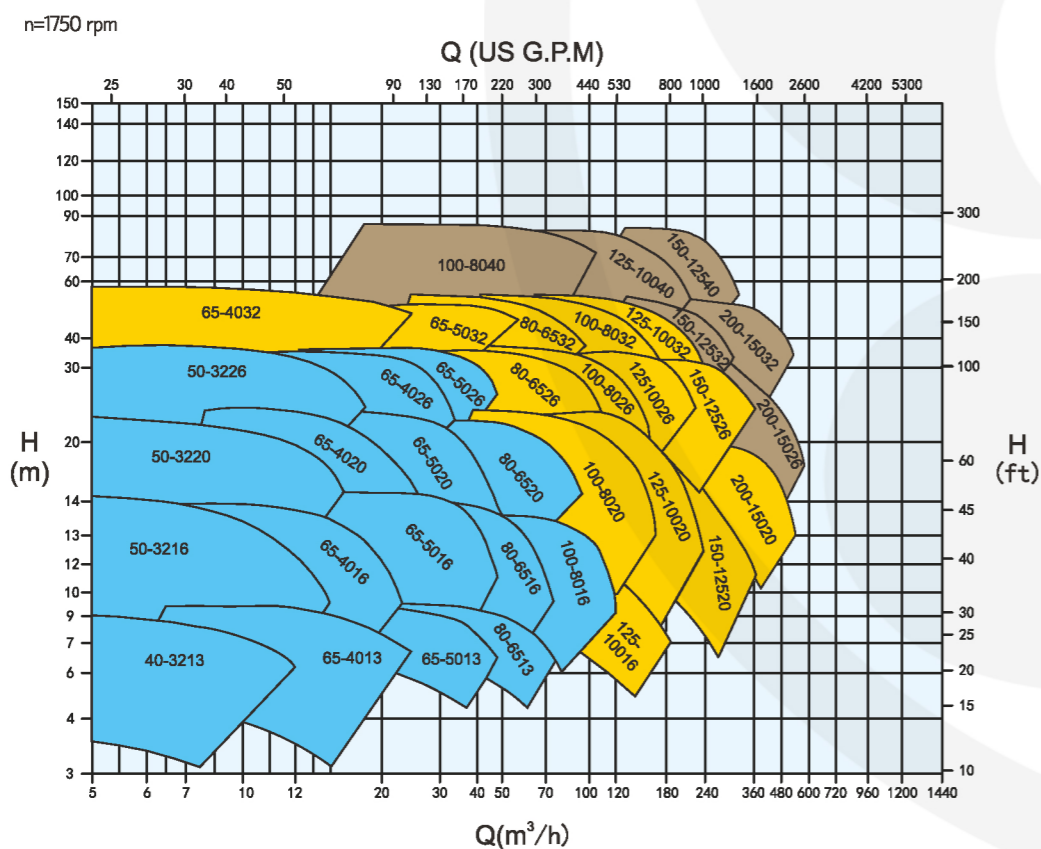
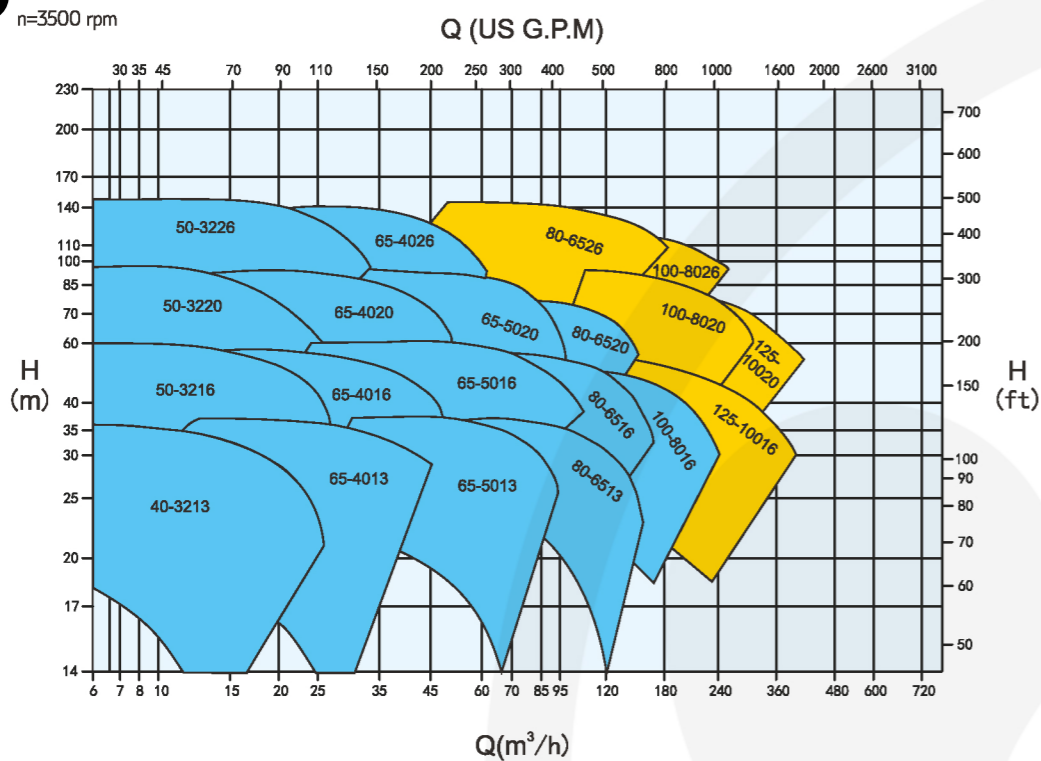
Vertical In-line Centrifugal Pump

Vertical In-line Centrifugal Pump

EG
series

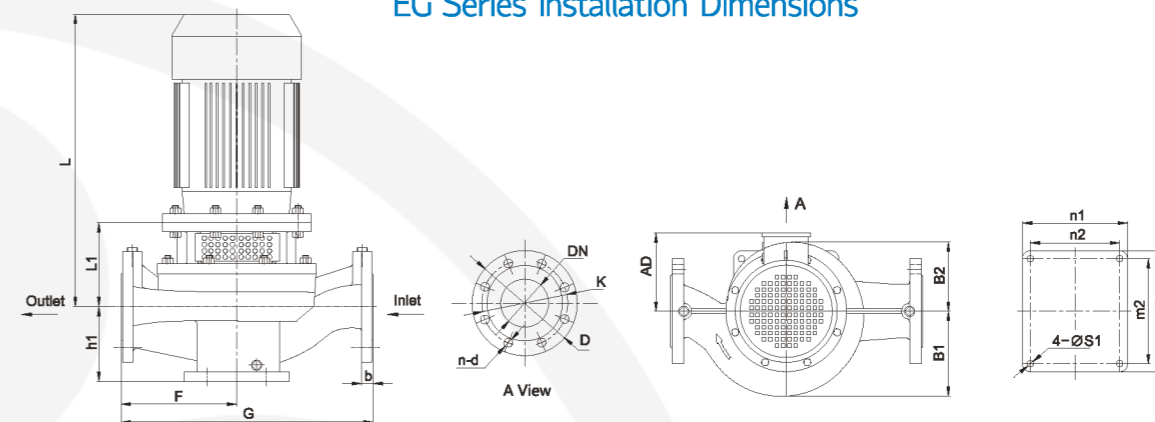
G.P.T.CO

EG Series-60Hz Performance



Performance to ISO9906 Grade 2 for clean cold water only

EG Series Installation Dimensions



EG Model	Motor(V1) Model	kw	Installation Dimensions(mm)											Flange Dimensions(mm)				Weight(kg)		
			h1	L1	F	G	L	AD	B1	B2	n2xm2	n1xm1	s1	DN	D	K	n-d	b	Pump	Motor
EG40-3213-00554	Y2-801-4	0.55	113	150	310	407	145	104	95	170x200	200x230	12	40	150	110	4-Ø18	18	32	16	48
EG40-3213-01102	Y2-802-2	1.1				422	155											32	17	49
EG40-3213-01502	Y2-90S-2	1.5				447	155											32	21	53
EG40-3213-02202	Y2-90L-2	2.2				447	155											32	26	57
EG65-4013-00554	Y2-801-4	0.55	128	175	360	407	145	113	99	170x200	200x230	12	65	185	145	4-Ø18	20	37	16	53
EG65-4013-01502	Y2-90S-2	1.5				422	155											38	21	59
EG65-4013-02202	Y2-90L-2	2.2				447	155											38	26	63
EG65-4013-03002	Y2-100L-2	3				489	180											40	44	84
EG65-4013-04002	Y2-112M-2	4	504	190	40	43	83													
EG65-5013-00554	Y2-801-4	0.55	155	200	410	407	145	130	105	170x200	200x230	12	65	185	145	4-Ø18	20	40	16	56
EG65-5013-00754	Y2-802-4	0.75				422	155											40	17	57
EG65-5013-01104	Y2-90S-4	1.1				447	155											41	22	63
EG65-5013-04002	Y2-112M-2	4				504	190											46	43	89
EG65-5013-05502	Y2-132S1-2	5.5	577	210	49	65	115													
EG65-5013-07502	Y2-132S2-2	7.5	577	210	49	69	119													
EG80-6513-00754	Y2-802-4	0.75	160	220	460	407	145	140	116	170x200	200x230	12	80	200	160	8-Ø18	25	44	17	61
EG80-6513-01104	Y2-90S-4	1.1				422	155											45	22	68
EG80-6513-07502	Y2-132S2-2	7.5				577	210											54	69	123
EG80-6513-11002	Y2-160M1-2	11				725	255											62	108	170
EG50-3216-00554	Y2-801-4	0.55	118	160	320	407	145	115	115	170x200	200x230	12	50	165	125	4-Ø18	20	36	16	52
EG50-3216-00754	Y2-802-4	0.75				447	155											36	17	53
EG50-3216-02202	Y2-90L-2	2.2				489	180											36	26	62
EG50-3216-03002	Y2-100L-2	3				489	180											38	44	82
EG50-3216-04002	Y2-112M-2	4	504	190	38	43	81													
EG50-3216-05502	Y2-132S1-2	5.5	577	210	42	65	107													
EG65-4016-00554	Y2-801-4	0.55	138	152	175	407	145	128	115	170x200	200x230	12	65	185	145	4-Ø18	20	42	16	58
EG65-4016-00754	Y2-802-4	0.75				422	155											42	17	59
EG65-4016-01104	Y2-90S-4	1.1				447	155											43	22	65
EG65-4016-03002	Y2-100L-2	3				489	180											44	44	88
EG65-4016-04002	Y2-112M-2	4	504	190	44	43	87													
EG65-4016-05502	Y2-132S1-2	5.5	577	210	49	65	114													
EG65-5016-00554	Y2-801-4	0.55	138	152	175	407	145	128	115	170x200	200x230	12	65	185	145	4-Ø18	20	44	16	60
EG65-5016-00754	Y2-802-4	0.75				422	155											44	17	61
EG65-5016-01104	Y2-90S-4	1.1				447	155											45	22	67
EG65-5016-01504	Y2-90L-4	1.5				447	155											45	27	71
EG65-5016-05502	Y2-132S1-2	5.5	577	210	51	65	116													
EG65-5016-07502	Y2-132S2-2	7.5	577	210	51	69	120													
EG65-5016-11002	Y2-160M1-2	11	725	255	54	108	162													
EG65-5016-15002	Y2-160M2-2	15	725	255	54	109	163													
EG80-6516-00754	Y2-802-4	0.75	158	164	480	407	145	162	132	170x200	200x230	12	80	200	160	8-Ø18	25	50	17	67
EG80-6516-01104	Y2-90S-4	1.1				422	155											52	22	74
EG80-6516-01504	Y2-90L-4	1.5				447	155											52	27	79
EG80-6516-02204	Y2-100L1-4	2.2				489	180											55	34	88
EG80-6516-07502	Y2-132S2-2	7.5	577	210	60	69	129													
EG80-6516-11002	Y2-160M1-2	11	725	255	62	108	170													
EG80-6516-15002	Y2-160M2-2	15	725	255	62	109	171													



EG series

Vertical In-line Centrifugal Pump

Vertical In-line Centrifugal Pump EG series

EG Model	Motor(V1)		Installation Dimensions(mm)										Flange Dimensions(mm)					Weight(kg)			
	Model	kw	h1	L1	F	G	L	AD	B1	B2	n2xm2	n1xm1	s1	DN	D	K	n-d	b	Pump	Motor	Total
EG100-8016-01504	Y2-90L-4	1.5	152				447	155											56	27	83
EG100-8016-02204	Y2-100L1-4	2.2	164				489	180											58	34	92
EG100-8016-03004	Y2-100L2-4	3																	58	37	95
EG100-8016-11002	Y2-160M1-2	11	188		260	540	725	255	168	136	170x200	200x230	12	100	220	180	8-φ18	24	65	108	173
EG100-8016-15002	Y2-160M2-2	15					780												65	109	174
EG100-8016-18502	Y2-160L-2	18.5	220				810	280											66	155	221
EG100-8016-22002	Y2-180M-2	22					882	305											73	224	298
EG100-8016-30002	Y2-200L1-2	30																	100	37	137
EG125-10016-03004	Y2-100L2-4	3	220	179	330	690	504	180	202	162	260x260	300x300	18	125	250	210		26	102	47	149
EG125-10016-04004	Y2-112M-4	4					519	190											108	133	241
EG125-10016-18502	Y2-160L-2	18.5	220	234	330	690	794	255	202	162	260x260	300x300	18	125	250	210	8-φ18	26	110	155	265
EG125-10016-22002	Y2-180M-2	22					824	280											113	224	337
EG125-10016-30002	Y2-200L1-2	30					897	305											102	47	149
EG50-3220-00554	Y2-80L-4	0.55	118				406	145											45	16	61
EG50-3220-00754	Y2-802-4	0.75					421												45	17	62
EG50-3220-01104	Y2-90S-4	1.1					446	155	137	134									46	22	68
EG50-3220-01504	Y2-90L-4	1.5					446												46	27	72
EG50-3220-05502	Y2-132S1-2	5.5					576	210											51	65	116
EG50-3220-07502	Y2-132S2-2	7.5					723	255											51	69	120
EG50-3220-11002	Y2-160M1-2	11					723	255											55	108	163
EG65-4020-00754	Y2-802-4	0.75					406	145											50	17	67
EG65-4020-01104	Y2-90S-4	1.1					421	155											51	22	73
EG65-4020-01504	Y2-90L-4	1.5					446		144	134									51	27	77
EG65-4020-05502	Y2-132S1-2	5.5					576	210											56	65	121
EG65-4020-07502	Y2-132S2-2	7.5					723	255			170x200	200x230	14						56	69	125
EG65-4020-11002	Y2-160M1-2	11					723	255											60	108	168
EG65-5020-01504	Y2-90L-4	1.5	138		240	480	449	155						65	185	145			52	27	78
EG65-5020-02204	Y2-100L1-4	2.2					491	180											54	34	87
EG65-5020-03004	Y2-100L2-4	3					491	180											54	37	90
EG65-5020-11002	Y2-160M1-2	11					726	255	158	142									61	108	169
EG65-5020-15002	Y2-160M2-2	15					781												61	109	170
EG65-5020-18502	Y2-160L-2	18.5																	61	133	194
EG80-6520-02204	Y2-100L1-4	2.2					488	180											62	34	96
EG80-6520-03004	Y2-100L2-4	3					488	180											62	37	99
EG80-6520-04004	Y2-112M-4	4	150		260	540	503	190	170	148				80	200	160	8-φ18	25	62	47	109
EG80-6520-15002	Y2-160M2-2	15					723	255											69	109	178
EG80-6520-18502	Y2-160L-2	18.5					778												69	133	202
EG80-6520-22002	Y2-180M-2	22					808	280	170	148									70	155	225
EG80-6520-30002	Y2-200L1-2	30	150	221	260	540	881	305						80	200	160			76	224	300
EG100-8020-03004	Y2-100L2-4	3					504	180											76	37	113
EG100-8020-04004	Y2-112M-4	4					519	190											76	47	123
EG100-8020-05504	Y2-132S-4	5.5					592	210			170x200	200x230	14						80	65	145
EG100-8020-07504	Y2-132M-4	7.5					632	255											80	79	158
EG100-8020-22002	Y2-180M-2	22	188	234	290	600	824	280	192	166				100	220	180	8-φ18	24	88	155	243
EG100-8020-30002	Y2-200L1-2	30					897	305											90	224	314
EG100-8020-37002	Y2-200L2-2	37					942	335											90	235	325
EG100-8020-45002	Y2-225M-2	45					942	335											95	286	380
EG125-10020-04004	Y2-112M-4	4					519	190											97	47	144
EG125-10020-05504	Y2-132S-4	5.5					592	210											99	65	164
EG125-10020-07504	Y2-132M-4	7.5					632	254											99	79	178
EG125-10020-11004	Y2-160M-4	11					739	254											103	108	211
EG125-10020-30002	Y2-200L1-2	30	220	237	330	680	897	305	208	170				125	250	210	8-φ18	26	109	224	333
EG125-10020-37002	Y2-200L2-2	37					897	305											109	235	344
EG125-10020-45002	Y2-225M-2	45					942	335											114	286	399
EG125-10020-55002	Y2-250M-2	55					1041	370											126	373	499
EG125-10020-75002	Y2-280S-2	75					1116	410											126	485	610
EG150-12520-07504	Y2-132M-4	7.5					632	210											126	79	204
EG150-12520-11004	Y2-160M-4	11					739	255											129	108	238
EG150-12520-55002	Y2-250M-2	55	260		360	740	1041	370	242	186				150	285	240	8-φ22	28	152	373	525
EG150-12520-75002	Y2-280S-2	75					1116	410											153	485	637
EG150-12520-90002	Y2-280M-2	90					1166												153	541	694
EG200-15020-11004	Y2-160M-4	11					766	255											165	108	273
EG200-15020-15004	Y2-160L-4	15	280	261	400	840	821	280	256	198	340x340	420x420		200	340	295	12-φ22	28	165	129	294
EG200-15020-18504	Y2-180M-4	18.5					851	280											167	157	324
EG50-3226-02204	Y2-100L1-4	2.2	118	173	230	470	498	180	168	168	170x200	200x230	14	50	165	125	4-φ18	20	62	34	96

EG Model	Motor(V1)		Installation Dimensions(mm)										Flange Dimensions(mm)					Weight(kg)				
	Model	kw	h1	L1	F	G	L	AD	B1	B2	n2xm2	n1xm1	s1	DN	D	K	n-d	b	Pump	Motor	Total	
EG50-3226-03004	Y2-100L2-4	3	118	173			498	180														
EG50-3226-11002	Y2-160M1-2	11																				
EG50-3226-15002	Y2-160M2-2	15																				
EG50-3226-18502	Y2-160L-2	18.5																				
EG65-4026-02204	Y2-100L1-4	2.2																				
EG65-4026-03004	Y2-100L2-4	3																				
EG65-4026-11002	Y2-160M1-2	11																				
EG65-4026-15002	Y2-160M2-2	15																				
EG65-4026-18502	Y2-160L-2	18.5																				
EG65-5026-02204	Y2-100L1-4	2.2																				
EG65-5026-03004	Y2-100L2-4	3																				
EG65-5026-11002	Y2-160M1-2	11																				
EG65-5026-15002	Y2-160M2-2	15																				
EG65-5026-18502	Y2-160L-2	18.5																				
EG65-5026-22002	Y2-180M-2	22																				
EG65-5026-30002	Y2-200L1-4	30																				



EG
series

Vertical In-line Centrifugal Pump

EG Model	Motor(V1)		Installation Dimensions(mm)											Flange Dimensions(mm)					Weight(kg)		
	Model	kw	h1	L1	F	G	L	AD	B1	B2	n2xm2	n1xm1	s1	DN	D	K	n-d	b	Pump	Motor	Total
EG65-5032-45002	Y2-225M-2	45	155	237			942	335										20	115	286	401
EG65-5032-55002	Y2-250M-2	55		273	290	590	1043	370	214	198	170x200	200x230	14	65	185	145	4-Φ18	20	133	373	507
EG65-5032-75002	Y2-280S-2	75					1118	410											134	485	618
EG80-6532-07504	Y2-132M-4	7.5		201			631	210											115	79	194
EG80-6532-11004	Y2-160M-4	11					740	255											118	108	226
EG80-6532-15004	Y2-160L-4	15		235			795												118	129	246
EG80-6532-45002	Y2-225M-2	45	175	252	310	640	957	335	224	210				80	200	160		22	139	286	424
EG80-6532-55002	Y2-250M-2	55					1042	370											145	373	518
EG80-6532-75002	Y2-280S-2	75		272			1117	410											145	485	630
EG80-6532-90002	Y2-280M-2	90					1167												145	541	686
EG100-8032-11004	Y2-160M-4	11					740	255			200x250	250x300	18				8-Φ18		127	108	236
EG100-8032-15004	Y2-160L-4	15		235			795												127	129	256
EG100-8032-18504	Y2-180M-4	18.5	186		340	700	825	280	237	210				100	220	180		24	128	157	285
EG100-8032-75002	Y2-280S-2	75					1117	410											155	485	639
EG100-8032-90002	Y2-280M-2	90		272			1167												155	541	695
EG125-10032-15004	Y2-160L-4	15					795	255											148	129	276
EG125-10032-18504	Y2-180M-4	18.5		235			825	280	246	220				125	250	210			148	157	305
EG125-10032-22004	Y2-180L-4	22		240	360	740	865												148	179	326
EG125-10032-30004	Y2-200L-4	30		237			897	305											154	240	394
EG150-12532-15004	Y2-160L-4	15					809	255											196	129	325
EG150-12532-18504	Y2-180M-4	18.5					839	280											196	157	353
EG150-12532-22004	Y2-180L-4	22		260	400	895	879	266	226	340x340	420x420	18	150	285	240	8-Φ22		196	179	375	
EG150-12532-30004	Y2-200L-4	30					909	305											198	240	438
EG150-12532-37004	Y2-225S-4	37		284			964	335											206	301	507
EG200-15032-30004	Y2-200L-4	30		250			910	305											241	240	481
EG200-15032-37004	Y2-225S-4	37					965												249	301	550
EG200-15032-45004	Y2-225M-4	45		300	430	920	990	335	290	242	340x340	420x420	18	200	340	295	12-Φ22	30	249	312	562
EG200-15032-55004	Y2-250M-4	55		285			1055	370											264	383	647
EG100-8040-15004	Y2-160L-4	15					809	255											188	129	317
EG100-8040-18504	Y2-180M-4	18.5					839	280											191	157	348
EG100-8040-22004	Y2-180L-4	22		220	400	800	879	265	248	310x310	370x370	18	100	220	180			191	179	370	
EG100-8040-30004	Y2-200L-4	30		249			909	305											197	240	436
EG125-10040-22004	Y2-180L-4	22					879	280											204	179	383
EG125-10040-30004	Y2-200L-4	30					909	305											206	240	445
EG125-10040-37004	Y2-225S-4	37		240	380	810	964		285	262	200x250	250x300	18	125	250	210			212	301	513
EG125-10040-45004	Y2-225M-4	45					989	335											212	312	524
EG150-12540-30004	Y2-200L-4	30		249			909	305											225	240	465
EG150-12540-37004	Y2-225S-4	37					964												231	301	531
EG150-12540-45004	Y2-225M-4	45		250	400	850	989	335	296	264	250x300	300x350	18	150	285	240	8-Φ22		231	312	543
EG150-12540-55004	Y2-250M-4	55					1054	370											235	383	617
EG150-12540-75004	Y2-280S-4	75		284			1129	410											236	544	780

GOL PUMPS TECHNOLOGY INC



3750NW114 AVE #6
 MIAMI, FL 33178
 Ph: +1 (786) 615 8984
 Fax: +1 (786) 615 7043
 Info@golpumps.com

www.golpumps.com