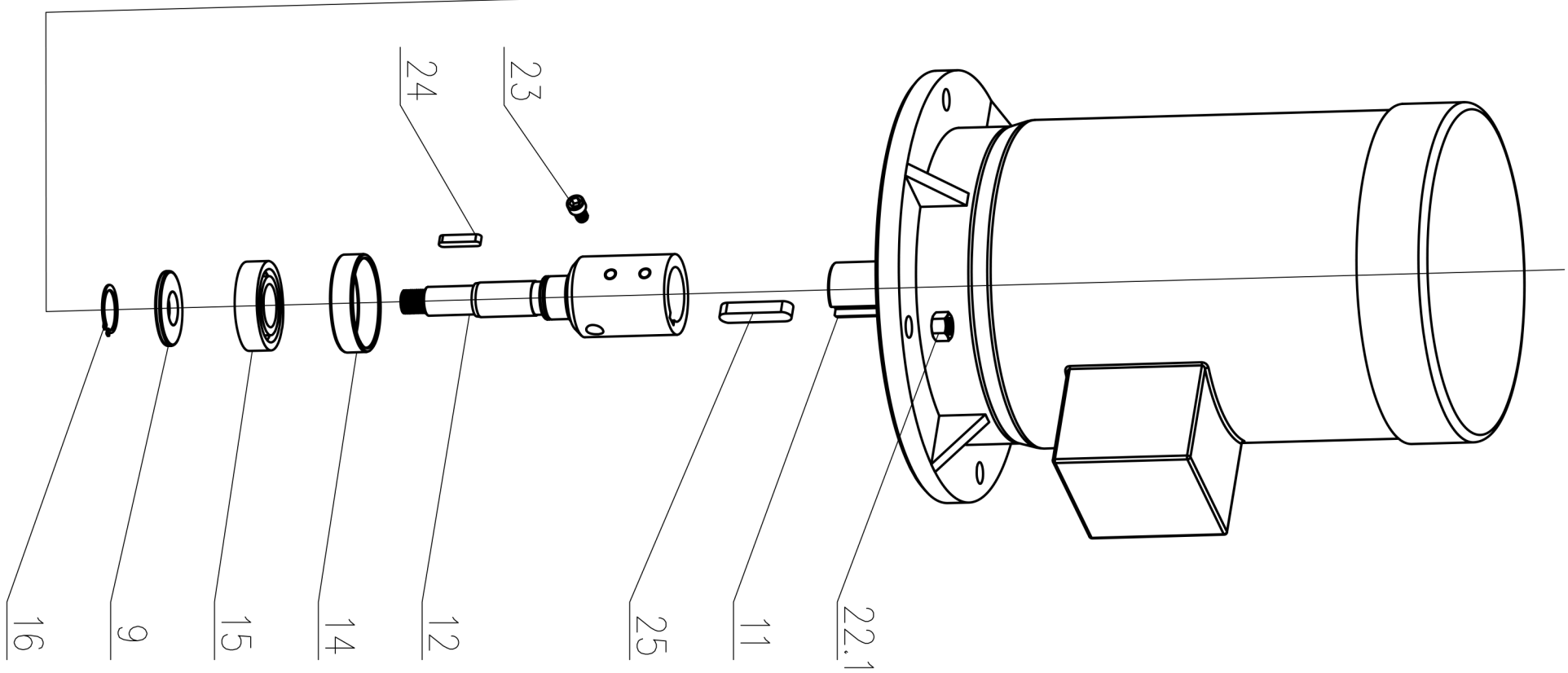
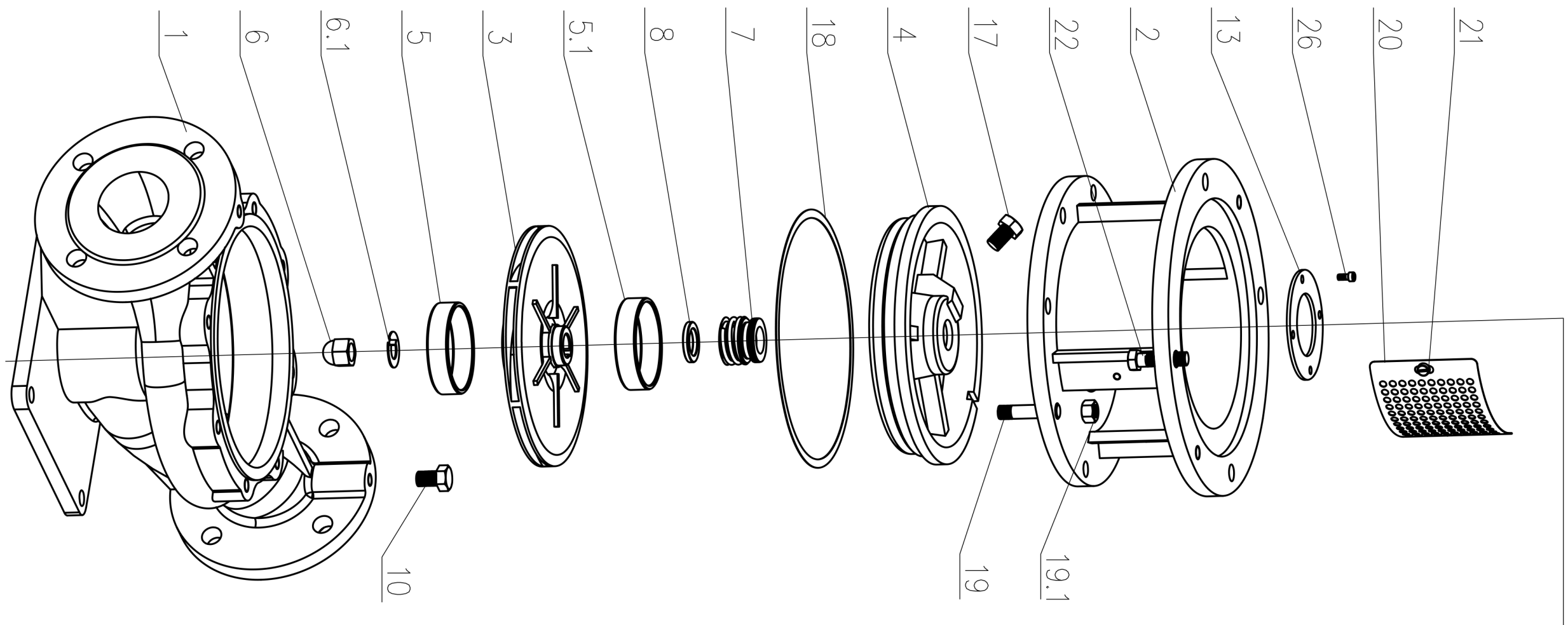


EG





EG Series List of Parts

Code	Part Name	Q'ty	Material	CCSM	CBSM	CS304S304M	CS316S316M
1	Casing	1	HT200	✓	✓	✓	✓
2	Adaptor	1	HT200	✓	✓	✓	✓
3	Impeller	1	HT200	✓			
			H65		✓		
			QSn4-8				
			S304			✓	
			S316				✓
4	Casing Cover	1	HT200	✓	✓		
			S304			✓	
			S316				✓
5	Front-Wear Ring	1	HT250	✓	✓		
			S304			✓	
			S316				✓
5.1	Back-Wear Ring	1	HT250	✓	✓		
			S304			✓	
			S316				✓
6	Impeller Nut	1	H65		✓		
			Q235(A)	✓			
			S304			✓	
			S316				✓
6.1	Lock Washer for Impeller	1	H65		✓		
			Q235(A)	✓			
			S304			✓	
			S316				✓
7	MG1 Mech Seal	1		✓	✓		
	M3N Mech Seal				✓	✓	
8	Seal Seat	1	2Cr13	✓	✓		
			S304			✓	
			S316				✓
9	Rubber Slinger	1	Nitrile Rubber	✓	✓	✓	✓
10	Plug	1	Q235(A)	✓	✓		
			S304			✓	
			S316				✓
11	V1 Motor	1		✓	✓	✓	✓
12	Shaft	1	2Cr13	✓	✓		
			S304			✓	
			S316				✓
13	Bearing Cover	1	Q235(A)	✓	✓	✓	✓
14	Rubber Check	1	Silicon Rubber	✓	✓	✓	✓
15	Bearing	1	NTN				
			NSK	✓	✓	✓	✓
			C&U				



EG Series List of Parts

Code	Part Name	Q'ty	Material	CCSM	CBSM	CS304S304M	CS316S316M
16	External Circlip	1	65Mn	√	√	√	√
17	Plug	1	Q235(A)	√	√		
			S304			√	
			S316				√
18	Casing Gasket	1	Paper	√	√		
			PTFE			√	√
19	Screw Bolt	1set	35	√	√		
			S304			√	√
19.1	Screw Nut	1set	35	√	√		
			S304			√	√
20	Guard	2	Galvanized Sheet	√	√	√	√
21	Screw	1set	35	√	√	√	√
22	Screw Bolt	1set	35	√	√	√	√
22.1	Screw Nut	1set	35	√	√	√	√
23	Screw	4	35	√	√	√	√
24	Key	1	45	√	√		
			S304			√	
			S316				√
25	Key	1	45	√	√	√	√
26	Screw	4	Grade D	√	√	√	√

Remark:

- 1) For the models other than EG200-15026、80-6532、100-8032、125-10032、150-12532、200-15032、100-8040、125-10040、150-12540,there is no parts of No.5.1。
- 2) For the models of EG65-4032、65-5032、80-6532、100-8032, while using 2900 or 3500 rpm,casing and casing cover should be made of ductile iron 60-40-18。