



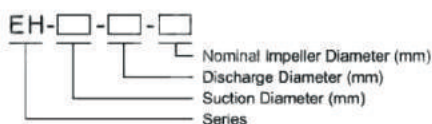
Description & Features

EH pumps are designed in accordance with ISO 2858 standard while the performance even better than ISO 2858. Pumps have superior hydraulic design, by which significantly higher efficiencies are achieved for less power consumption. The flow rates are 1.6 times and the head are 1.25 times of their correspondent sizes in ISO 2858 standard.

Pump performance can be changed by impeller trimming. There are 4 sizes of shafts and 4 sizes of bearing housing among the whole series, and many of the parts such as shaft, shaft sleeve, shaft seal and impeller nut of one pump are interchangeable with other pumps of the same bearing housing.

Back pull-out design and driven by motor or other driving device through flexible coupling, very easy and convenient to install and maintain.

Model Instruction



Applications

- Water supply and drainage
- HVAC and Cooling Tower
- Fire Protection and Fire Fighting
- Marine-Ballasting & Bilge
- Booster and Pressurization Set
- Irrigation and agriculture
- Water supply and drainage

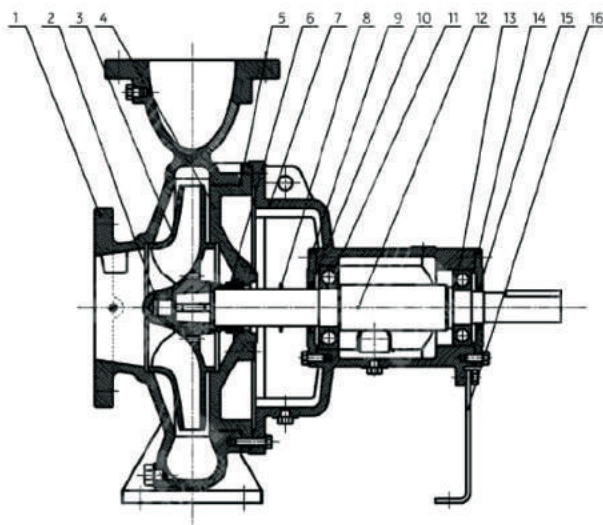
Operating Data

Flowrate: Max. 1200 m³/h
Head: Max. 160m
Discharge Diameter(mm): 32~200
Working Pressure(Mpa): 1.6~2.4
Temperature: -15°C~80°C (Normal Material)
 80°C~145°C (Special Material)
Speed(r/min): 1450 / 2900 (50Hz),
 1750 / 3500 (60Hz)

Material

Pump Part	Material
Casing	Cast Iron
	Ductile Iron
Impeller	Cast Iron
	Brass
	Bronze
	Stainless Steel
Shaft	Carbon Steel
	Stainless Steel

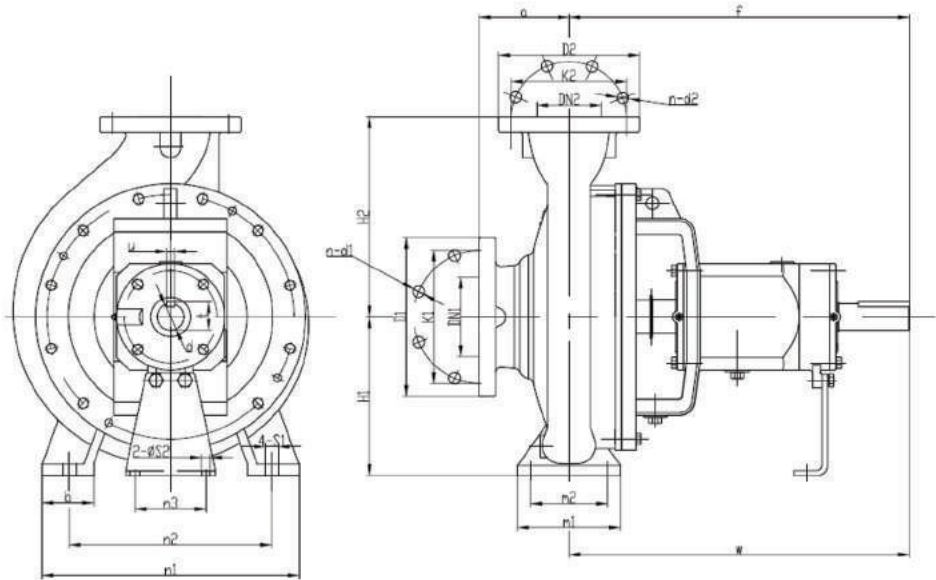
Structure & List of Parts



No.	Part Name
1	Casing
2	Impeller Nut
3	Impeller
4	Casing Cover
5	O-ring
6	Mechanical Seal
7	Bearing Housing
8	Slinger
9	Bearing Cover (Impeller end)
10	Oil Seal (Impeller end)
11	Bearing (Impeller end)
12	Shaft
13	Bearing (Driving end)
14	Bearing Cover (Driving end)
15	Oil Seal (Driving end)
16	Support Foot



EH DIMENSION LIST



No.	MODEL					Shaft no.	PUMP DIMENSION LIST																	Weight KGS		
	Suction flange	Suction	Discharge flange	Discharge	Imp.Dia		a	f	h1	h2	b	m1	m2	n1	n2	n3	c1	c2	w	S1	S2	d	t		u	l
9	DN80	80	DN50	52	250	2	125	500	180	225	65	125	95	320	250	110	15	6	370	M12	M12	32	35	10	80	76

EH Model	Capacity		Head m	Speed r/min	Power(kw)		Motor Model	Eff %	Impeller Dia. mm	NPSHr m
	m ³ /h	L/s			Shaft kw	Motor kw				
EH50-32-160	10.43	2.90	16.02	1750	0.90	1.10	Y2-90L-4	50.4	182	1.7
	17.38	4.83	14.10		1.14	1.50	1.5KW	58.4		2.1
	20.86	5.79	12.38		1.25	1.50		56.2		3
EH50-32-160 A	9.91	2.75	14.57		0.79	1.10	Y2-90L-4	49.6	173	1.7
	16.52	4.59	12.79		1.00	1.50	1.5KW	57.8		2
	19.82	5.51	11.22		1.09	1.50		55.4		2.7
EH50-32-160 B	9.40	2.61	13.05		0.69	1.10	Y2-90L-4	48.2	164	1.8
	15.66	4.35	11.36		0.86	1.10	1.5KW	56.7		1.9
	18.79	5.22	10.01		0.94	1.50		54.4		2.4
EH50-32-160 C	8.88	2.47	11.51		0.59	0.75	Y2-90S-4	47	155	1.9
	14.80	4.11	9.98		0.73	1.10	1.1KW	55.4		1.9
	17.76	4.93	8.77		0.79	1.10		53.5		2.2
EH50-32-160 D	8.36	2.32	10.05	0.50	0.75	Y2-90S-4	45.6	146	1.9	
	13.94	3.87	8.74	0.61	0.75	1.1KW	54		1.9	
	16.73	4.65	7.47	0.66	1.10		52		2	



EH50-32-200	11.99	3.33	24.47	1750	1.61	2.20	Y2-100L2-4	49.7	228	1.8
	19.99	5.55	21.99		2.10	3.00	3KW	57		4
	23.98	6.66	19.08		2.31	3.00		54		6.4
EH50-32-200 A	11.41	3.17	21.99	1750	1.39	2.20	Y2-100L2-4	49.3	217	1.7
	19.02	5.28	19.66		1.81	2.20	3KW	56.4		3.8
	22.83	6.34	17.12		1.98	3.00		53.9		5.8
EH50-32-200 B	10.78	3.00	19.66	1750	1.19	1.50	Y2-100L1-4	48.6	205	1.7
	17.97	4.99	17.48		1.54	2.20	2.2KW	55.5		3.3
	21.56	5.99	15.44		1.69	2.20		53.8		5
EH50-32-200 C	10.20	2.83	17.33	1750	1.01	1.50	Y2-100L1-4	47.8	194	1.6
	17.01	4.72	15.44		1.31	2.20	2.2KW	54.8		2.9
	20.41	5.67	13.62		1.41	2.20		53.6		3.8
EH50-32-200 D	9.57	2.66	15.06	1750	0.85	1.10	Y2-90L-4	46.2	182	1.6
	15.95	4.43	13.40		1.08	1.50	1.5KW	53.9		2.1
	19.14	5.32	12.00		1.19	1.50		52.6		3.2
EH65-50-160	15.64	4.34	15.59	1750	1.12	1.50	Y2-100L1-4	59.2	182	1.9
	26.07	7.24	13.90		1.54	2.20	2.2KW	64		2.1
	31.28	8.69	12.45		1.66	2.20		63.8		3.2
EH65-50-160 A	14.87	4.13	14.32	1750	1.00	1.50	Y2-100L1-4	58.2	173	1.9
	24.78	6.88	12.53		1.32	2.20	2.2KW	64		2
	29.74	8.26	11.22		1.44	2.20		63.3		3
EH65-50-160 B	14.09	3.92	12.53	1750	0.86	1.10	Y2-90L-4	55.9	164	2
	23.49	6.53	11.22		1.14	1.50	1.5KW	62.8		2
	28.19	7.83	9.98		1.24	1.50		62		2.7
EH65-50-160 C	13.32	3.70	10.92	1750	0.74	1.10	Y2-90L-4	53.3	155	2
	22.20	6.17	9.90		0.99	1.50	1.5KW	60.3		1.9
	26.64	7.40	8.81		1.08	1.50		59.3		2.2
EH65-50-160 D	12.55	3.49	9.78	1750	0.66	1.10	Y2-90L-4	50.5	146	2.1
	20.91	5.81	8.59		0.86	1.10	1.5KW	57		1.9
	25.09	6.97	7.66		0.92	1.50		56.8		2
EH65-40-200	15.64	4.34	24.66	1750	1.98	3.00	Y2-112M-4	53	228	1.3
	26.07	7.24	22.37		2.61	4.00	4KW	61		2.7
	31.28	8.69	19.62		2.85	4.00		58.6		3.9
EH65-40-200 A	14.89	4.14	21.99	1750	1.71	2.20	Y2-100L2-4	52.2	217	1.2
	24.81	6.89	19.84		2.25	3.00	3KW	59.7		2.3
	29.77	8.27	17.04		2.46	3.00		56.1		3.5
EH65-40-200 B	14.06	3.91	19.80	1750	1.49	2.20	Y2-100L2-4	51	205	1.2
	23.44	6.51	17.26		1.92	3.00	3KW	57.3		2.1
	28.13	7.81	14.49		2.08	3.00		53.3		3.1
EH65-40-200 C	13.31	3.70	17.20	1750	1.28	1.50	Y2-100L1-4	48.7	194	1.1
	22.18	6.16	14.77		1.64	2.20	2.2KW	54.3		2
	26.62	7.39	12.13		1.77	2.20		49.6		2.9



EH65-40-200 D	12.49	3.47	14.86	1750	1.10	1.50	Y2-100L1-4	46.1	182	1.1
	20.81	5.78	12.53		1.39	2.20	2.2KW	51		1.9
	24.97	6.94	10.05		1.47	2.20		46.5		2.4
EH65-40-250	20.86	5.79	37.29		4.22	5.50	Y2-132M-4	50.2	278	1.1
	34.76	9.66	32.34		5.47	7.50	7.5KW	56		2.1
	41.71	11.59	27.97		5.96	7.50		53.3		2.7
EH65-40-250 A	19.80	5.50	33.50		3.66	5.50	Y2-132M-4	49.4	264	1.1
	33.01	9.17	28.84		4.70	5.50	7.5KW	55.2		1.9
	39.61	11.00	24.76		5.15	7.50		51.9		2.5
EH65-40-250 B	18.75	5.21	29.71		3.14	4.00	Y2-132S-4	48.3	250	1.1
	31.26	8.68	25.49		4.01	5.50	5.5KW	54.1		1.8
	37.51	10.42	21.70		4.40	5.50		50.4		2.3
EH65-40-250 C	17.70	4.92	26.22		2.71	4.00	Y2-132S-4	46.7	236	1
	29.51	8.20	22.14		3.40	4.00	5.5KW	52.4		1.6
	35.41	9.84	18.72		3.70	5.50		48.8		2.1
EH65-40-250 D	16.65	4.63	22.33	2.28	3.00	Y2-112M-4	44.4	222	1	
	27.76	7.71	18.64	2.82	4.00	4KW	50		1.5	
	33.31	9.25	15.59	3.11	4.00		45.5		2	
EH65-40-315	26.07	7.24	54.77	8.90	11.00	Y2-160L-4	43.7	342	2.5	
	43.45	12.07	47.78	11.20	15.00	15KW	50.5		3.1	
	52.14	14.48	42.24	12.25	15.00		49		4.9	
EH65-40-315 A	24.77	6.88	47.05	7.22	11.00	Y2-160L-4	44	325	2.5	
	41.29	11.47	41.95	9.40	15.00	15KW	50.2		3	
	49.55	13.76	36.85	10.28	15.00		48.4		4.1	
EH65-40-315 B	23.46	6.52	42.24	6.11	7.50	Y2-160M-4	44.2	308	2.5	
	39.10	10.86	36.56	7.78	11.00	11KW	50.1		2.8	
	46.92	13.03	31.75	8.46	11.00		48		3.8	
EH65-40-315 C	21.90	6.08	36.85	5.02	7.50	Y2-160M-4	43.8	291	2.5	
	36.50	10.14	32.05	6.44	11.00	11KW	49.5		2.8	
	43.80	12.17	27.82	7.00	11.00		47.4		3.2	
EH65-40-315 D	20.62	5.73	32.05	4.16	5.50	Y2-132M-4	43.3	274	2.5	
	34.36	9.55	27.60	5.29	7.50	7.5KW	48.9		2.6	
	41.24	11.45	24.33	5.83	7.50		46.9		3	



EH80-65-160	31.28	8.69	15.80	1750	2.03	3.00	Y2-112M-4	66.3	182	1
	52.14	14.48	13.84		2.59	4.00	4KW	76		1.7
	62.57	17.38	12.13		2.81	4.00		73.5		2.8
EH80-65-160 A	29.74	8.26	14.23		1.79	2.20	Y2-100L2-4	64.6	173	1
	49.56	13.77	12.34		2.21	3.00	3KW	75.4		1.4
	59.47	16.52	10.79		2.45	3.00		71.4		2.4
EH80-65-160 B	28.19	7.83	12.70		1.55	2.20	Y2-100L2-4	62.9	164	1.1
	46.98	13.05	10.97		1.90	3.00	3KW	74		1.3
	56.38	15.66	9.56		2.07	3.00		71		2.2
EH80-65-160 C	26.64	7.40	11.22		1.37	2.20	Y2-100L1-4	59.3	155	1.1
	44.40	12.33	9.51		1.60	2.20	2.2KW	71.8		1.2
	53.28	14.80	8.16		1.74	2.20		68		1.8
EH80-65-160 D	25.09	6.97	9.80		1.20	1.50	Y2-100L1-4	55.7	146	1.2
	41.82	11.62	8.30		1.40	2.20	2.2KW	67.8		1.1
	50.19	13.94	7.06		1.47	2.20		65.8		1.5
EH80-50-200	31.28	8.69	25.78	3.32	4.00	Y2-132S-4	66.2	228	1.3	
	52.14	14.48	22.43	4.37	5.50	5.5KW	73		2.7	
	62.57	17.38	19.81	4.78	5.50		70.7		3.8	
EH80-50-200 A	29.77	8.27	23.01	2.86	4.00	Y2-132S-4	65.2	217	1.3	
	49.62	13.78	19.96	3.75	5.50	5.5KW	72		2.4	
	59.55	16.54	17.62	4.17	5.50		68.6		3.4	
EH80-50-200 B	28.13	7.81	20.30	2.46	3.00	Y2-112M-4	63.2	205	1.2	
	46.88	13.02	17.48	3.21	4.00	4KW	69.5		2.1	
	56.25	15.63	15.48	3.59	4.00		66.1		3	
EH80-50-200 C	26.62	7.39	17.77	2.11	3.00	Y2-112M-4	61	194	1.2	
	44.36	12.32	15.00	2.71	4.00	4KW	66.9		1.9	
	53.24	14.79	13.11	3.02	4.00		63		2.7	
EH80-50-200 D	24.97	6.94	15.15	1.76	2.20	Y2-100L2-4	58.5	182	1.2	
	41.62	11.56	12.82	2.27	3.00	3KW	64		1.8	
	49.94	13.87	10.92	2.52	3.00		59		2.3	
E80-50-250	31.28	8.69	37.00	5.76	7.50	Y2-160M-4	54.8	278	1.1	
	52.14	14.48	34.67	7.46	11.00	11KW	66		1.4	
	62.57	17.38	32.19	8.19	11.00		67		1.7	
E80-50-250 A	29.71	8.25	33.50	4.95	7.50	Y2-160M-4	54.8	264	1.1	
	49.51	13.75	31.51	6.46	11.00	11KW	65.8		1.4	
	59.41	16.50	29.28	7.10	11.00		66.8		1.6	
E80-50-250 B	28.13	7.81	30.44	4.37	5.50	Y2-132M-4	53.4	250	1.1	
	46.89	13.02	28.40	5.60	7.50	7.5KW	64.8		1.4	
	56.26	15.63	26.44	6.10	7.50		66.4		1.5	
E80-50-250 C	26.56	7.38	27.09	3.70	5.50	Y2-132M-4	53	236	1.1	
	44.26	12.29	25.20	4.73	5.50	7.5KW	64.2		1.3	
	53.11	14.75	23.60	5.25	7.50		65.1		1.4	



EH80-50-250 D	24.98	6.94	23.45	1750	3.15	4.00	Y2-132S-4	50.6	222	1.1
	41.64	11.57	21.99		3.99	5.50	5.5KW	62.6		1.2
	49.96	13.88	20.39		4.41	5.50		62.9		1.4
EH80-50-315	31.28	8.69	56.81	1750	10.30	15.00	Y2-180M-4	47	342	1.1
	52.14	14.48	52.44		13.07	18.50	18.5KW	57		1.6
	62.57	17.38	48.43		14.31	18.50		57.7		2.1
EH80-50-315 A	29.73	8.26	50.69	1750	8.66	11.00	Y2-160L-4	47.4	325	1.1
	49.55	13.76	46.61		11.02	15.00	15KW	57.1		1.5
	59.46	16.52	43.12		12.23	15.00		57.1		1.9
EH80-50-315 B	28.17	7.83	45.15	1750	7.31	11.00	Y2-160L-4	47.4	308	1.1
	46.95	13.04	41.51		9.30	15.00	15KW	57.1		1.4
	56.35	15.65	37.87		10.33	15.00		56.3		1.7
EH80-50-315 C	26.62	7.39	39.77	1750	6.14	7.50	Y2-160M-4	47	291	1.1
	44.36	12.32	36.85		7.86	11.00	11KW	56.7		1.4
	53.24	14.79	33.50		8.73	11.00		55.7		1.6
EH80-50-315 D	25.06	6.96	34.96	1750	5.19	7.50	Y2-160M-4	46	274	1
	41.77	11.60	32.34		6.62	11.00	11KW	55.6		1.3
	50.13	13.92	29.13		7.25	11.00		54.9		1.5
EH100-80-160	49.53	13.76	14.30	1750	2.68	4.00	Y2-132S-4	72	182	2.2
	82.55	22.93	12.38		3.48	4.00	5.5KW	80		3
	99.06	27.52	10.68		3.75	5.50		76.9		3.9
EH100-80-160 A	47.08	13.08	12.67	1750	2.32	3.00	Y2-112M-4	70	173	2.2
	78.47	21.80	11.13		3.02	4.00	4KW	78.8		2.8
	94.16	26.16	9.61		3.29	4.00		74.9		3.3
EH100-80-160 B	44.63	12.40	11.51	1750	2.06	3.00	Y2-112M-4	68.1	164	2.2
	74.39	20.66	9.98		2.63	4.00	4KW	77		2.6
	89.26	24.80	8.49		2.83	4.00		73		3.1
EH100-80-160 C	42.18	11.72	10.27	1750	1.79	2.20	Y2-100L2-4	65.8	155	2.2
	70.31	19.53	8.86		2.27	3.00	3KW	74.6		2.5
	84.37	23.44	7.57		2.46	3.00		70.8		2.9
EH100-80-160 D	39.73	11.04	9.03	1750	1.55	2.20	Y2-100L2-4	63.2	146	2.2
	66.22	18.40	7.76		1.95	3.00	3KW	72		2.3
	79.47	22.07	6.57		2.10	3.00		67.8		2.8
EH100-65-200	57.35	15.93	25.05	1750	5.75	7.50	Y2-160M-4	68.1	228	2
	95.59	26.55	22.29		7.52	11.00	11KW	77.2		2.9
	114.70	31.86	19.96		8.17	11.00		76.3		3.4
EH100-65-200 A	54.58	15.16	22.58	1750	4.94	7.50	Y2-160M-4	68	217	2
	90.97	25.27	20.10		6.45	11.00	11KW	77.2		2.8
	109.17	30.32	17.92		7.03	11.00		75.8		3.2
EH100-65-200 B	51.57	14.32	20.10	1750	4.22	5.50	Y2-132M-4	67	205	2
	85.94	23.87	17.77		5.43	7.50	7.5KW	76.7		2.7
	103.13	28.65	15.88		5.98	7.50		74.6		3.1



EH100-80-160	49.53	13.76	14.30	1750	2.68	4.00	Y2-132S-4	72	182	2.2
	82.55	22.93	12.38		3.48	4.00	5.5KW	80		3
	99.06	27.52	10.68		3.75	5.50		76.9		3.9
EH100-80-160 A	47.08	13.08	12.67		2.32	3.00	Y2-112M-4	70	173	2.2
	78.47	21.80	11.13		3.02	4.00	4KW	78.8		2.8
	94.16	26.16	9.61		3.29	4.00		74.9		3.3
EH100-80-160 B	44.63	12.40	11.51		2.06	3.00	Y2-112M-4	68.1	164	2.2
	74.39	20.66	9.98		2.63	4.00	4KW	77		2.6
	89.26	24.80	8.49		2.83	4.00		73		3.1
EH100-80-160 C	42.18	11.72	10.27		1.79	2.20	Y2-100L2-4	65.8	155	2.2
	70.31	19.53	8.86		2.27	3.00	3KW	74.6		2.5
	84.37	23.44	7.57		2.46	3.00		70.8		2.9
EH100-80-160 D	39.73	11.04	9.03		1.55	2.20	Y2-100L2-4	63.2	146	2.2
	66.22	18.40	7.76		1.95	3.00	3KW	72		2.3
	79.47	22.07	6.57		2.10	3.00		67.8		2.8
EH100-65-200	57.35	15.93	25.05	5.75	7.50	Y2-160M-4	68.1	228	2	
	95.59	26.55	22.29	7.52	11.00	11KW	77.2		2.9	
	114.70	31.86	19.96	8.17	11.00		76.3		3.4	
EH100-65-200 A	54.58	15.16	22.58	4.94	7.50	Y2-160M-4	68	217	2	
	90.97	25.27	20.10	6.45	11.00	11KW	77.2		2.8	
	109.17	30.32	17.92	7.03	11.00		75.8		3.2	
EH100-65-200 B	51.57	14.32	20.10	4.22	5.50	Y2-132M-4	67	205	2	
	85.94	23.87	17.77	5.43	7.50	7.5KW	76.7		2.7	
	103.13	28.65	15.88	5.98	7.50		74.6		3.1	
EH100-65-200 C	48.80	13.56	17.62	4.04	5.50	Y2-132M-4	58	194	2	
	81.33	22.59	15.44	5.22	7.50	7.5KW	65.5		2.5	
	97.60	27.11	13.40	5.75	7.50		62		2.9	
EH100-65-200 D	45.78	12.72	15.15	2.91	4.00	Y2-132S-4	65	182	2	
	76.30	21.19	13.11	3.81	5.50	5.5KW	71.5		2.4	
	91.56	25.43	11.07	4.12	5.50		67		2.8	
EH100-65-250	57.35	15.93	37.73	9.21	11.00	Y2-160L-4	64	278	1.2	
	95.59	26.55	35.10	12.34	15.00	15KW	74.1		1.8	
	114.70	31.86	32.34	13.30	15.00		76		2.1	
EH100-65-250 A	54.46	15.13	34.08	7.90	11.00	Y2-160L-4	64	264	1.2	
	90.77	25.21	31.75	10.61	15.00	15KW	74		1.6	
	108.93	30.26	29.42	11.57	15.00		75.5		2.1	
EH100-65-250 B	51.58	14.33	30.59	6.73	11.00	Y2-160M-4	63.9	250	1.2	
	85.96	23.88	28.11	8.93	11.00	11KW	73.7		1.5	
	103.15	28.65	26.22	9.83	11.00		75		1.9	
EH100-65-250 C	48.69	13.52	26.66	5.68	7.50	Y2-160M-4	62.3	236	1.2	
	81.15	22.54	24.76	7.48	11.00	11KW	73.2		1.4	
	97.37	27.05	22.87	8.24	11.00		73.6		1.7	



EH100-65-250 D	45.80	12.72	23.16	1750	4.82	7.50	Y2-160M-4	60	222	1.2
	76.33	21.20	21.56		6.24	7.50	11KW	71.9		1.3
	91.60	25.44	19.96		6.90	11.00		72.2		1.6
EH100-65-315	67.78	18.83	57.10		16.82	22.00	Y2-200L-4	62.7	342	1.8
	112.97	31.38	52.00		22.55	30.00	30KW	71		3.1
	135.56	37.66	47.05		25.11	30.00		69.2		4.4
EH100-65-315 A	64.41	17.89	51.27		14.47	18.50	Y2-200L-4	62.2	325	1.8
	107.35	29.82	46.47		19.17	22.00	30KW	70.9		2.9
	128.82	35.78	41.80		21.27	30.00		69		3.9
EH100-65-315 B	61.04	16.96	45.88		12.33	15.00	Y2-180L-4	61.9	308	1.8
	101.74	28.26	40.93		16.10	18.50	22KW	70.5		2.7
	122.08	33.91	36.41		17.89	22.00		67.7		3.7
EH100-65-315 C	57.67	16.02	40.78	10.51	15.00	Y2-180M-4	61	291	1.7	
	96.12	26.70	35.40	13.53	15.00	18.5KW	68.5		2.4	
	115.34	32.04	31.75	15.12	18.50		66		3.2	
EH100-65-315 D	54.30	15.08	35.83	8.84	11.00	Y2-160L-4	60	274	1.7	
	90.50	25.14	31.46	11.41	15.00	15KW	68		2.2	
	108.61	30.17	27.53	12.55	15.00		64.9		2.8	



EH125-80-200	78.21	21.72	23.60	1750	7.18	11.00	Y2-160M-4	70	228	1.8
	130.34	36.21	20.54		9.23	11.00	11KW	79		3.1
	156.41	43.45	17.92		9.89	11.00		77.2		3.9
EH125-80-200 A	74.43	20.68	21.56		6.24	7.50	Y2-160M-4	70.1	217	1.8
	124.06	34.46	18.79		8.04	11.00	11KW	79		3
	148.87	41.35	15.88		8.39	11.00		76.8		3.7
EH125-80-200 B	70.32	19.53	19.37		5.34	7.50	Y2-160M-4	69.5	205	1.7
	117.20	32.55	16.46		6.72	11.00	11KW	78.2		2.8
	140.64	39.07	14.13		7.17	11.00		75.5		3.4
EH125-80-200 C	66.54	18.48	17.04		4.61	7.50	Y2-132M-4	67	194	1.7
	110.91	30.81	14.42		5.73	7.50	7.5KW	76		2.6
	133.09	36.97	12.38		6.11	7.50		73.5		3.1
EH125-80-200 D	62.43	17.34	14.71	3.88	5.50	Y2-132M-4	64.5	182	1.7	
	104.05	28.90	12.53	4.77	7.50	7.5KW	74.5		2.5	
	124.86	34.68	10.49	5.03	7.50		70.9		2.9	
EH125-80-250	78.21	21.72	37.14	11.64	15.00	Y2-180L-4	68	278	1.3	
	130.34	36.21	34.67	15.39	18.50	22KW	80		2	
	156.41	43.45	32.19	16.96	22.00		80.9		2.8	
EH125-80-250 A	74.27	20.63	33.50	10.12	15.00	Y2-180M-4	67	264	1.3	
	123.78	34.38	31.03	13.15	15.00	18.5KW	79.6		1.8	
	148.54	41.26	28.84	14.47	18.50		80.7		2.4	
EH125-80-250 B	70.33	19.54	30.15	8.74	11.00	Y2-160L-4	66.1	250	1.2	
	117.22	32.56	27.82	11.23	15.00	15KW	79.1		1.7	
	140.66	39.07	25.64	12.24	15.00		80.3		2.1	
EH125-80-250 C	66.39	18.44	26.39	7.34	11.00	Y2-160L-4	65	236	1.2	
	110.65	30.74	24.47	9.45	11.00	15KW	78.1		1.6	
	132.78	36.88	22.43	10.26	15.00		79.1		2	
EH125-80-250 D	62.45	17.35	22.72	6.16	7.50	Y2-160M-4	62.8	222	1.2	
	104.09	28.91	20.83	7.77	11.00	11KW	76		1.4	
	124.91	34.70	19.23	8.52	11.00		76.8		1.9	
EH125-80-315	78.21	21.72	57.10	19.32	22.00	Y2-225S-4	63	342	1.5	
	130.34	36.21	51.56	25.09	30.00	37KW	73		2.1	
	156.41	43.45	45.88	28.26	37.00		69.2		2.6	
EH125-80-315 A	72.99	20.28	50.69	16.18	18.50	Y2-200L-4	62.3	325	1.5	
	121.66	33.79	46.32	21.33	30.00	30KW	72		2	
	145.99	40.55	41.22	23.90	30.00		68.6		2.4	
EH125-80-315 B	69.18	19.22	44.86	13.86	18.50	Y2-200L-4	61	308	1.4	
	115.29	32.03	40.64	18.03	22.00	30KW	70.8		1.9	
	138.35	38.43	35.69	20.17	30.00		66.7		2.3	
EH125-80-315 C	65.17	18.10	39.62	11.93	15.00	Y2-180L-4	59	291	1.4	
	108.62	30.17	35.69	15.31	18.50	22KW	69		1.8	
	130.34	36.21	30.88	17.08	22.00		64.2		2.1	
EH125-80-315 D	60.82	16.89	34.67	10.15	15.00	Y2-180M-4	56.6	274	1.3	
	101.36	28.16	30.88	12.73	15.00	18.5KW	67		1.7	
	121.64	33.79	26.80	14.21	18.50		62.5		2	



EH125-80-400	104.28	28.97	94.24	1750	42.51	55.00	Y2-280S-4	63	439	2
	173.79	48.28	84.05		56.86	75.00	75KW	70		4.2
	208.55	57.93	74.87		62.85	75.00		67.7		6.2
EH125-80-400 A	99.76	27.71	85.21	1750	36.60	45.00	Y2-280S-4	63.3	420	2
	166.27	46.19	75.16		49.14	55.00	75KW	69.3		3.9
	199.53	55.42	65.98		53.31	75.00		67.3		5.6
EH125-80-400 B	95.01	26.39	76.02	1750	31.49	37.00	Y2-250M-4	63	400	1.9
	158.35	43.99	67.15		42.30	55.00	55KW	68.5		3.7
	190.02	52.78	58.32		45.76	55.00		66		5
EH125-80-400 C	90.26	25.07	68.17	1750	27.04	37.00	Y2-225M-4	62	380	1.9
	150.44	41.79	59.28		36.16	45.00	45KW	67.2		3.2
	180.52	50.15	50.54		38.73	45.00		64.2		4.5
EH125-80-400 D	85.51	23.75	60.89	1750	23.33	30.00	Y2-225S-4	60.8	360	1.8
	142.52	39.59	53.02		31.39	37.00	37KW	65.6		3
	171.02	47.51	43.84		32.69	37.00		62.5		4
EH125-80-400 E	80.76	22.43	53.89	1750	20.03	30.00	Y2-200L-4	59.2	340	1.7
	134.60	37.39	46.61		26.67	30.00	30KW	64.1		2.9
	161.52	44.87	38.02		28.36	30.00		59		3.7
EH125-100-200	99.06	27.52	23.74	1750	9.09	11.00	Y2-160L-4	70.5	228	1.7
	165.10	45.86	20.68		11.21	15.00	15KW	83		2.7
	198.12	55.03	17.04		11.89	15.00		77.4		3.9
EH125-100-200 A	94.28	26.19	21.12	1750	7.84	11.00	Y2-160M-4	69.2	217	1.7
	157.14	43.65	17.77		9.34	11.00	11KW	81.5		2.4
	188.57	52.38	14.42		9.85	11.00		75.2		3.4
EH125-100-200 B	89.07	24.74	18.79	1750	6.66	11.00	Y2-160M-4	68.5	205	1.6
	148.45	41.24	15.44		7.86	11.00	11KW	79.5		2.2
	178.14	49.48	12.38		8.23	11.00		73		3
EH125-100-200 C	84.20	23.39	16.17	1750	5.54	7.50	Y2-132M-4	67	194	1.5
	140.34	38.98	13.11		6.51	7.50	7.5KW	77		2.1
	165.10	45.86	10.63		6.83	7.50		70		2.7
EH125-100-200 D	75.60	21.00	14.13	1750	4.40	5.50	Y2-132M-4	64.8	182	1.4
	126.00	35.00	11.51		5.30	7.50	7.5KW	74.5		1.9
	151.20	42.00	9.03		5.47	7.50		68		2.3
EH125-100-250	117.31	32.59	36.56	1750	16.12	22.00	Y2-200L-4	72.5	278	2
	195.52	54.31	33.36		22.21	30.00	30KW	80		3.2
	234.62	65.17	30.30		24.83	30.00		78		4.1
EH125-100-250 A	111.40	30.95	32.92	1750	13.94	18.50	Y2-200L-4	71.7	264	2
	185.67	51.58	29.71		18.91	22.00	30KW	79.5		3
	222.81	61.89	26.80		21.02	30.00		77.4		3.8
EH125-100-250 B	105.49	29.30	29.28	1750	11.90	15.00	Y2-180L-4	70.7	250	1.9
	175.82	48.84	26.36		16.09	18.50	22KW	78.5		2.9
	210.99	58.61	23.74		17.82	22.00		76.6		3.6
EH125-100-250 C	99.59	27.66	25.93	1750	10.20	15.00	Y2-180M-4	69	236	1.9
	165.98	46.11	23.16		13.57	15.00	18.5KW	77.2		2.8
	199.17	55.33	20.68		14.89	18.50		75.4		3.3
EH125-100-250 D	93.68	26.02	22.29	1750	8.71	11.00	Y2-160L-4	65.3	222	1.8
	156.13	43.37	19.66		11.16	15.00	15KW	75		2.6
	187.36	52.04	17.48		12.33	15.00		72.4		3.1



EH125-100-315	117.31	32.59	55.50	1750	25.94	30.00	Y2-225M-4	68.4	342	2
	195.52	54.31	49.52		33.83	37.00	45KW	78		3.3
	234.62	65.17	43.84		37.47	45.00		74.8		4.2
EH125-100-315 A	111.48	30.97	49.52		21.99	30.00	Y2-225S-4	68.4	325	2
	185.80	51.61	43.99		28.92	37.00	37KW	77		3.1
	222.96	61.93	38.00		31.61	37.00		74.2		4
EH125-100-315 B	105.65	29.35	44.43		18.81	22.00	Y2-200L-4	68	308	1.9
	176.08	48.91	39.33		24.63	30.00	30KW	76.6		3
	211.30	58.69	34.23		26.60	30.00		74.1		3.8
EH125-100-315 C	99.82	27.73	39.47		15.98	18.50	Y2-200L-4	67.2	291	1.8
	166.36	46.21	34.67		20.65	30.00	30KW	76.1		2.8
	199.63	55.45	30.30		22.49	30.00		73.3		3.4
EH125-100-315 D	93.99	26.11	34.81	13.55	15.00	Y2-180L-4	65.8	274	1.8	
	156.64	43.51	30.44	17.49	22.00	22KW	74.3		2.6	
	187.97	52.21	26.51	18.89	22.00		71.9		4.2	
EH125-100-400	143.38	39.83	93.22	54.61	75.00	Y2-280M-4	66.7	438	3.1	
	238.97	66.38	83.03	73.06	90.00	90KW	74		5.6	
	280.76	79.66	72.98	81.12	90.00		70.3		10	
EH125-100-400 A	137.49	38.19	83.46	47.02	55.00	Y2-280M-4	66.5	420	3	
	229.15	63.65	74.14	62.90	75.00	90KW	73.6		5	
	274.97	76.38	64.82	69.98	90.00		69.4		8.7	
EH125-100-400 B	130.94	36.37	74.29	40.10	55.00	Y2-280S-4	66.1	400	3	
	218.23	60.62	65.69	53.88	75.00	75KW	72.5		4.6	
	261.88	72.74	57.39	59.53	75.00		68.8		7.1	
EH125-100-400 C	124.39	34.55	65.98	34.36	45.00	Y2-250M-4	65.1	380	3	
	207.32	57.59	58.26	45.97	55.00	55KW	71.6		4.2	
	248.79	69.11	50.69	50.84	55.00		67.6		6.2	
EH125-100-400 D	117.85	32.74	58.56	29.57	37.00	Y2-250M-4	63.6	360	2.9	
	196.41	54.56	51.85	39.54	45.00	55KW	70.2		3.9	
	235.69	65.47	45.15	43.68	55.00		66.4		5.3	
EH125-100-400 E	111.30	30.92	51.42	25.32	30.00	Y2-225M-4	61.6	340	2.9	
	185.50	51.53	46.03	33.87	37.00	45KW	68.7		3.7	
	222.60	61.83	40.06	37.38	45.00		65		4.7	
EH125-100-500	125.13	34.76	135.46	88.83	110.00	Y2-315L1-4	52	525	2.2	
	208.55	57.93	127.31	114.30	132.00	160KW	63.3		3.8	
	250.26	69.52	119.59	125.85	160.00		64.8		5.3	
EH125-100-500 A	119.17	33.10	122.94	76.92	90.00	Y2-315M-4	51.9	500	2.1	
	198.62	55.17	115.22	99.30	110.00	132KW	62.8		3.4	
	238.34	66.21	106.77	108.35	132.00		64		5	
EH125-100-500 B	113.21	31.45	110.85	67.05	90.00	Y2-315S-4	51	475	2	
	188.69	52.41	103.27	85.10	110.00	110KW	62.4		3.2	
	226.43	62.90	94.68	93.32	110.00		62.6		4.5	
EH125-100-500 C	107.26	29.79	98.32	57.13	75.00	Y2-280M-4	50.3	450	2	
	178.76	49.66	91.62	72.92	90.00	90KW	61.2		2.9	
	214.51	59.59	83.75	79.74	90.00		61.4		4.1	
EH125-100-500 D	101.30	28.14	86.96	49.39	55.00	Y2-280S-4	48.6	425	1.9	
	168.83	46.90	79.24	61.58	75.00	75KW	59.2		2.7	
	202.59	56.28	71.37	67.01	75.00		58.8		3.8	
EH125-100-500 E	95.34	26.48	74.58	40.53	55.00	Y2-280S-4	47.8	400	1.8	
	158.90	44.14	68.17	52.24	75.00	75KW	56.5		2.5	
	190.68	52.97	60.89	56.39	75.00		56.1		3.6	



EH150-125-250	182.48	50.69	35.10	1750	22.67	30.00	Y2-225S-4	77	278	2.3
	304.14	84.48	30.59		29.82	37.00	37KW	85		4.1
	364.97	101.38	26.66		32.29	37.00		82.1		7.4
EH150-125-250 A	173.29	48.14	31.32		19.38	22.00	Y2-200L-4	76.3	264	2.3
	288.82	80.23	27.09		25.38	30.00	30KW	84		3.7
	346.59	96.27	23.31		27.34	30.00		80.5		6.1
EH150-125-250 B	164.10	45.58	27.68		16.46	18.50	Y2-200L-4	75.2	250	2.3
	273.51	75.97	23.52		21.30	30.00	30KW	82.3		3.3
	328.21	91.17	20.10		22.79	30.00		78.9		5
EH150-125-250 C	154.91	43.03	24.47		14.02	18.50	Y2-180L-4	73.7	236	2.3
	258.19	71.72	20.39		17.87	22.00	22KW	80.3		3
	309.83	86.06	17.19		19.14	22.00		75.8		4.2
EH150-125-250 D	145.72	40.48	20.83		12.16	15.00	Y2-180M-4	68	222	2.3
	242.87	67.46	17.33		14.90	18.50	18.5KW	77		2.8
	291.45	80.96	14.13		15.63	18.50		71.8		3.8
EH150-125-315	195.52	54.31	56.52	41.36	55.00	Y2-280S-4	72.8	342	4	
	325.86	90.52	52.29	55.28	75.00	75KW	84		5	
	391.03	108.62	47.78	62.08	75.00		82		6.2	
EH150-125-315 A	185.80	51.61	51.13	35.41	45.00	Y2-280S-4	73.1	325	4	
	309.66	86.02	46.47	46.96	55.00	75KW	83.5		4.8	
	371.00	103.22	41.95	52.44	75.00		81		5.8	
EH150-125-315 B	176.08	48.91	45.74	30.14	37.00	Y2-250M-4	72.8	308	3.9	
	293.47	81.52	41.22	39.67	45.00	55KW	83.1		4.8	
	352.16	97.82	36.41	43.90	55.00		79.6		5.3	
EH150-125-315 C	166.36	46.21	40.78	25.97	30.00	Y2-225M-4	71.2	291	3.8	
	277.27	77.02	36.41	33.76	37.00	45KW	81.5		4.6	
	332.72	92.42	31.61	37.12	45.00		77.2		5.1	
EH150-125-315 D	156.64	43.51	35.69	21.92	30.00	Y2-225S-4	69.5	274	3.7	
	261.07	72.52	31.75	28.31	37.00	37KW	79.8		4.3	
	313.28	87.02	26.80	31.00	37.00		73.8		4.9	
EH150-125-400	234.62	65.17	94.53	83.83	110.00	Y2-315L1-4	72.1	438	2.3	
	391.03	108.62	86.52	116.70	132.00	160KW	79		3.9	
	469.24	130.34	77.35	131.52	160.00		75.2		5.3	
EH150-125-400 A	224.98	62.49	86.81	73.92	90.00	Y2-315M-4	72	420	2.3	
	374.96	104.16	78.95	102.76	132.00	132KW	78.5		3.7	
	449.96	124.99	70.06	115.62	132.00		74.3		5	
EH150-125-400 B	214.27	59.52	79.53	64.67	75.00	Y2-315M-4	71.8	400	2.2	
	357.11	99.20	72.54	90.15	110.00	132KW	78.3		3.4	
	428.53	119.04	63.80	102.06	132.00		73		4.5	
EH150-125-400 C	203.55	56.54	71.96	56.21	75.00	Y2-315S-4	71	380	2.2	
	339.25	94.24	65.26	77.84	90.00	110KW	77.5		3.2	
	407.10	113.08	56.66	88.41	110.00		71.1		4.1	
EH150-125-400 D	192.84	53.57	64.24	48.22	55.00	Y2-280M-4	70	360	2.1	
	321.40	89.28	58.41	67.31	75.00	90KW	76		3	
	385.68	107.13	49.67	76.77	90.00		68		3.8	
EH150-125-400 E	182.13	50.59	57.39	41.58	55.00	Y2-280S-4	68.5	340	2.1	
	303.54	84.32	52.29	59.01	75.00	75KW	73.3		2.9	
	364.25	101.18	43.84	66.04	75.00		65.9		3.5	



EH150-125-500	234.62	65.17	138.96	1750	143.29	160.00	Y2-355M-4	62	525	3
	391.03	108.62	134.30		198.76	250.00	250KW	72		5.3
	469.24	130.34	128.18		224.52	250.00		73		8.2
EH150-125-500 A	223.45	62.07	125.27	1750	124.63	160.00	Y2-355M-4	61.2	500	3
	372.41	103.45	122.35		173.18	200.00	250KW	71.7		4.8
	446.90	124.14	116.53		194.39	250.00		73		7.2
EH150-125-500 B	212.28	58.97	113.32	1750	107.82	132.00	Y2-315L2-4	60.8	475	3
	353.79	98.28	109.39		147.09	160.00	200KW	71.7		4.3
	424.55	117.93	104.73		165.98	200.00		73		6.4
EH150-125-500 C	201.10	55.86	100.51	1750	91.34	110.00	Y2-315L1-4	60.3	450	3
	335.17	93.10	97.16		124.63	132.00	160KW	71.2		4
	402.21	111.72	92.93		140.88	160.00		72.3		5.7
EH150-125-500 D	189.93	52.76	87.40	1750	76.67	90.00	Y2-315M-4	59	425	3
	316.55	87.93	84.48		103.37	132.00	132KW	70.5		3.8
	379.86	105.52	81.42		117.88	132.00		71.5		5
EH150-125-500 E	178.76	49.66	74.29	1750	62.39	75.00	Y2-315S-4	58	400	3
	297.93	82.76	71.66		83.12	110.00	110KW	70		3.4
	357.52	99.31	69.33		95.81	110.00		70.5		4.5
EH200-150-315	291.97	81.10	51.27	1750	55.65	75.00	Y2-280M-4	73.3	342	2.7
	486.62	135.17	44.86		69.99	90.00	90KW	85		4.7
	583.94	162.21	37.73		74.48	90.00		80.6		7
EH200-150-315 A	277.46	77.07	46.03	1750	48.00	55.00	Y2-280S-4	72.5	325	2.6
	462.43	128.45	39.33		59.28	75.00	75KW	83.6		4.3
	554.92	154.14	32.92		62.38	75.00		79.8		6.1
EH200-150-315 B	262.95	73.04	40.78	1750	41.16	55.00	Y2-280S-4	71	308	2.4
	438.24	121.73	34.81		50.15	55.00	75KW	82.9		4
	525.89	146.08	28.84		52.72	75.00		78.4		5.4
EH200-150-315 C	248.43	69.01	36.41	1750	35.94	45.00	Y2-250M-4	68.6	291	2.3
	414.05	115.02	30.59		42.40	55.00	55KW	81.4		3.7
	496.87	138.02	25.26		44.18	55.00		77.4		4.9
EH200-150-315 D	233.92	64.98	31.75	1750	31.14	37.00	Y2-225M-4	65	274	2.2
	389.87	108.30	26.80		35.59	45.00	45KW	80		3.4
	467.84	129.96	22.29		37.04	45.00		76.7		4.4
EH200-150-400	333.68	92.69	86.09	1750	109.94	132.00	Y2-315L2-4	71.2	438	3
	556.14	154.48	76.62		141.95	160.00	200KW	81.8		4.2
	667.37	185.38	67.00		153.46	200.00		79.4		6.8
EH200-150-400 A	316.92	88.03	78.95	1750	95.76	110.00	Y2-315L1-4	71.2	416	3
	528.20	146.72	70.50		124.81	132.00	160KW	81.3		3.9
	633.84	176.07	61.98		133.81	160.00		80		5.8
EH200-150-400 B	300.16	83.38	72.10	1750	83.77	110.00	Y2-315M-4	70.4	394	3
	500.27	138.96	64.24		108.11	132.00	132KW	81		3.7
	600.32	166.76	56.81		115.87	132.00		80.2		4.9
EH200-150-400 C	283.40	78.72	65.26	1750	73.14	90.00	Y2-315S-4	68.9	372	3
	472.34	131.20	58.12		92.58	110.00	110KW	80.8		3.4
	566.80	157.45	50.98		98.18	110.00		80.2		4.3
EH200-150-400 D	266.64	74.07	58.26	1750	63.37	75.00	Y2-280M-4	66.8	350	3
	444.40	123.45	52.00		79.11	90.00	90KW	79.6		3.2
	533.28	148.13	45.45		83.07	90.00		79.5		3.9



EH200-150-500	349.32	97.03	142.75	1750	202.81	250.00	Y3-355I-4	67	525	2.8
	582.21	161.72	136.63		276.13	315.00	355KW	78.5		6
	698.05	194.07	130.37		314.17	355.00		79		10.4
EH200-150-500 A	332.69	92.41	129.49		176.53	200.00	Y2-355L-4	66.5	500	2.7
	554.48	154.02	123.52		239.27	315.00	315KW	78		5.3
	665.38	184.83	117.26		272.57	315.00		78		8.8
EH200-150-500 B	316.06	87.79	116.96		152.63	200.00	Y2-355L-4	66	475	2.6
	526.76	146.32	110.41		208.53	250.00	315KW	76		4.8
	632.11	175.59	104.44		236.70	315.00		76		7.6
EH200-150-500 C	299.42	83.17	104.88		131.65	160.00	Y2-355M-4	65	450	2.5
	409.03	138.62	98.03		177.74	200.00	250KW	75		4.3
	598.84	166.34	92.06		200.30	250.00		75		6.5
EH200-150-500 D	282.79	78.55	92.35		111.19	132.00	Y2-315L2-4	64	425	2.4
	471.31	130.92	85.79		148.90	160.00	200KW	74		4
	565.57	157.10	80.11		166.85	200.00		74		5.7
EH200-150-500 E	266.15	73.93	81.28		93.57	110.00	Y2-315L1-4	63	400	2.4
	443.59	123.22	75.45		126.67	132.00	160KW	72		3.7
	532.30	147.86	70.50	140.08	160.00		73	4.9		
EH250-200-315	495.31	137.59	49.67	88.33	110.00	Y2-315M-4	75.9	342	2.9	
	825.52	229.31	42.24	109.22	132.00	132KW	87		5.9	
	990.62	275.17	34.38	112.07	132.00		82.8		8.7	
EH250-200-315 A	470.69	130.75	44.13	76.60	90.00	Y2-315S-4	73.9	325	2.8	
	784.48	217.91	37.43	92.84	110.00	110KW	86.2		5.3	
	941.38	261.49	30.59	95.69	110.00		82		7.7	
EH250-200-315 B	446.07	123.91	39.33	67.52	75.00	Y2-280M-4	70.8	308	2.7	
	743.45	206.51	33.21	79.15	90.00	90KW	85		4.9	
	892.14	247.82	27.09	80.72	90.00		81.6		6.8	
EH250-200-315 C	421.45	117.07	34.67	59.16	75.00	Y2-280S-4	67.3	291	2.6	
	702.41	195.11	29.28	67.19	75.00	75KW	83.4		4.5	
	842.90	234.14	23.80	67.99	75.00		80.7		6.1	
EH250-200-315 D	396.83	110.23	30.30	51.35	75.00	Y2-280S-4	63.8	274	2.4	
	661.38	183.72	25.93	57.55	75.00	75KW	81.2		4.1	
	793.66	220.46	21.27	58.22	75.00		79		5.4	



EH50-32-160	20.86	5.79	64.24	3500	6.55	11.00	Y2-160M1-2	55.7	182	2.6
	34.76	9.66	55.50		8.41	11.00	11KW	62.5		4.5
	41.71	11.59	48.80		9.18	11.00		60.4		7.6
EH50-32-160 A	19.82	5.51	57.24	3500	5.68	7.50	Y2-160M1-2	54.4	173	2.5
	33.04	9.18	48.36		7.11	11.00	11KW	61.2		4.2
	39.65	11.01	42.02		7.81	11.00		58.1		6.1
EH50-32-160 B	18.79	5.22	50.40	3500	4.83	7.50	Y2-160M1-2	53.4	164	2.5
	31.32	8.70	42.10		6.10	7.50	11KW	58.9		3.9
	37.59	10.44	35.69		6.76	11.00		54.1		5.2
EH50-32-160 C	17.28	4.80	44.13	3500	4.08	5.50	Y2-132S2-2	51	155	2.4
	28.81	8.00	36.71		5.12	7.50	7.5KW	56.3		3.2
	34.57	9.60	30.73		5.64	7.50		51.3		4.5
EH50-32-160 D	16.28	4.52	37.87	3500	3.42	4.00	Y2-132S1-2	49.1	146	2.3
	27.13	7.54	30.88		4.27	5.50	5.5KW	53.5		3.1
	32.56	9.04	25.34		4.63	5.50		48.6		4
EH50-32-200	23.46	6.52	99.92	3500	12.53	15.00	Y2-180M-2	51	228	2.7
	39.10	10.86	88.85		16.47	18.50	22KW	57.5		5
	46.92	13.03	78.66		17.93	22.00		56.1		8.1
EH50-32-200 A	22.33	6.20	89.14	3500	10.76	15.00	Y2-160L-2	50.4	217	2.5
	37.22	10.34	78.51		13.92	18.50	18.5KW	57.2		4.3
	44.66	12.41	69.19		15.14	18.50		55.6		7.1
EH50-32-200 B	21.10	5.86	78.66	3500	9.15	11.00	Y2-160M2-2	49.4	205	2.4
	35.16	9.77	69.48		11.76	15.00	15KW	56.6		3.9
	42.19	11.72	60.45		12.73	15.00		54.6		6.1
EH50-32-200 C	19.96	5.55	69.33	3500	7.83	11.00	Y2-160M2-2	48.2	194	2.3
	33.27	9.24	60.01		9.80	15.00	15KW	55.5		3.5
	39.93	11.09	52.00		10.67	15.00		53		5.2
EH50-32-200 D	18.73	5.20	60.08	3500	6.67	11.00	Y2-160M1-2	46	182	2.2
	31.21	8.67	52.15		8.14	11.00	11KW	54.5		3.1
	37.46	10.40	44.28		8.81	11.00		51.3		4.5
EH65-50-160	31.28	8.69	64.53	3500	8.53	11.00	Y2-160M2-2	64.5	182	2.1
	52.14	14.48	56.95		11.24	15.00	15KW	72		4.8
	62.57	17.38	50.98		12.60	15.00		69		10
EH65-50-160 A	29.74	8.26	58.12	3500	7.37	11.00	Y2-160M2-2	63.9	173	2
	49.56	13.77	51.27		9.77	15.00	15KW	70.9		4
	59.47	16.52	45.74		10.82	15.00		68.5		8
EH65-50-160 B	28.19	7.83	51.56	3500	6.31	7.50	Y2-160M1-2	62.8	164	2
	46.98	13.05	45.45		8.29	11.00	11KW	70.2		3.6
	56.38	15.66	40.64		9.21	11.00		67.8		6.2
EH65-50-160 C	26.64	7.40	45.59	3500	5.43	7.50	Y2-160M1-2	61	155	2
	44.40	12.33	40.35		7.07	11.00	11KW	69.1		3.1
	53.28	14.80	35.98		7.84	11.00		66.6		5.1
EH65-50-160 D	25.09	6.97	40.20	3500	4.68	5.50	Y2-132S2-2	58.7	146	2
	41.82	11.62	35.10		6.02	7.50	7.5KW	66.5		2.8
	50.19	13.94	30.88		6.50	7.50		65		4.2
EH65-40-200	31.28	8.69	101.38	3500	15.52	18.50	Y2-200L1-2	55.7	228	2.1
	52.14	14.48	93.22		20.07	30.00	30KW	66		5.1
	62.57	17.38	81.13		22.35	30.00		61.9		8.2



EH65-40-200 A	29.20	8.11	90.31	3500	13.28	15.00	Y2-180M-2	54.1	217	2
	48.66	13.52	83.03		17.23	22.00	22KW	63.9		4.2
	58.39	16.22	71.81		18.86	22.00		60.6		7
EH65-40-200 B	27.11	7.53	79.57		11.44	15.00	Y2-160L-2	51.4	205	1.9
	45.19	12.55	72.39		14.52	18.50	18.5KW	61.4		3.7
	54.22	15.06	62.56		15.86	18.50		58.3		5.8
EH65-40-200 C	25.55	7.10	69.63		9.89	15.00	Y2-160M2-2	49	194	1.9
	42.58	11.83	61.76		12.25	15.00	15KW	58.5		3.2
	51.10	14.19	52.73		13.35	15.00		55		4.9
EH65-40-200 D	23.85	6.63	59.49		8.41	11.00	Y2-160M2-2	46	182	1.8
	39.76	11.04	51.71		10.19	15.00	15KW	55		2.9
	47.71	13.25	43.70		10.92	15.00		52		4.1
EH65-40-250	36.50	10.14	151.20		30.75	37.00	Y2-250M-2	48.9	278	1.7
	60.83	16.90	136.92		40.53	55.00	55KW	56		5
	72.99	20.28	126.00		44.44	55.00		56.4		7.3
EH65-40-250 A	34.66	9.63	135.46		26.77	30.00	Y2-225M-2	47.8	264	1.6
	57.76	16.05	122.06		34.74	45.00	45KW	55.3		4.4
	69.32	19.25	111.28		38.22	45.00		55		6.7
EH65-40-250 B	32.82	9.12	119.73		22.93	30.00	Y2-200L2-2	46.7	250	1.5
	54.70	15.19	107.79		29.59	37.00	37KW	54.3		4
	65.64	18.23	97.37		32.14	37.00		54.2		5.9
EH65-40-250 C	30.98	8.61	104.44		19.38	22.00	Y2-200L1-2	45.5	236	1.4
	51.64	14.34	93.51		24.55	30.00	30KW	53.6		3.6
	61.97	17.21	84.34		26.82	30.00		53.1		5.1
EH65-40-250 D	29.14	8.10	88.85		15.82	18.50	Y2-200L1-2	44.6	222	1.3
	48.57	13.49	79.53		20.01	22.00	30KW	52.6		3.1
	58.29	16.19	71.08		22.14	30.00		51		4.6



EH80-65-160	62.57	17.38	62.20	3500	14.89	18.50	Y2-200L1-2	71.2	182	2.7
	104.28	28.97	53.82		19.36	22.00	30KW	79		4.2
	125.13	34.76	46.90		21.02	30.00		76.1		6.4
EH80-65-160 A	59.47	16.52	56.08	3500	12.93	15.00	Y2-180M-2	70.3	173	2.5
	99.12	27.53	47.92		16.70	18.50	22KW	77.5		3.9
	118.94	33.04	41.51		18.13	22.00		74.2		5.8
EH80-65-160 B	56.38	15.66	50.40	3500	11.19	15.00	Y2-160L-2	69.2	164	2.5
	93.96	26.10	42.61		14.37	18.50	18.5KW	75.9		3.6
	112.76	31.32	37.14		15.63	18.50		73		5.1
EH80-65-160 C	53.28	14.80	44.63	3500	9.63	15.00	Y2-160M2-2	67.3	155	2.4
	88.81	24.67	37.43		12.28	15.00	15KW	73.8		3.2
	106.57	29.60	32.05		13.20	15.00		70.5		4.4
EH80-65-160 D	50.19	13.94	38.31	3500	8.19	11.00	Y2-160M2-2	64	146	2.4
	83.65	23.24	32.05		10.22	15.00	15KW	71.5		3
	100.38	27.88	27.24		10.86	15.00		68.6		3.9
EH80-50-200	52.14	14.48	102.11	3500	21.72	30.00	Y2-200L2-2	66.8	228	2.9
	86.90	24.14	93.22		29.43	37.00	37KW	75		4
	104.28	28.97	85.36		33.32	37.00		72.8		4.9
EH80-50-200 A	49.62	13.78	93.08	3500	19.04	22.00	Y2-200L2-2	66.1	217	2.8
	82.70	22.97	84.48		25.63	30.00	37KW	74.3		3.9
	99.25	27.57	77.20		28.96	37.00		72.1		4.6
EH80-50-200 B	46.88	13.02	84.05	3500	16.37	18.50	Y2-200L1-2	65.6	205	2.8
	78.13	21.70	75.89		22.13	30.00	30KW	73		3.7
	93.76	26.04	69.33		24.91	30.00		71.1		4.3
EH80-50-200 C	44.36	12.32	74.58	3500	14.11	18.50	Y2-200L1-2	63.9	194	2.7
	73.94	20.54	67.00		19.07	22.00	30KW	70.8		3.6
	88.73	24.65	60.67		21.29	30.00		68.9		4
EH80-50-200 D	41.62	11.56	64.96	3500	12.16	15.00	Y2-180L-2	60.6	182	2.7
	69.36	19.27	57.97		16.11	18.50	22KW	68		3.3
	83.24	23.12	51.85		17.77	22.00		66.2		3.8
E80-50-250	62.57	17.38	149.74	3500	43.12	55.00	Y2-280S-2	59.2	278	2.3
	104.28	28.97	134.88		56.78	75.00	75KW	67.5		4.4
	125.13	34.76	122.35		62.08	75.00		67.2		5.7
E80-50-250 A	59.41	16.50	135.39	3500	36.97	45.00	Y2-280S-2	59.3	264	2.2
	99.02	27.51	120.46		48.01	55.00	75KW	67.7		4.1
	118.83	33.01	108.66		52.59	75.00		66.9		5.2
E80-50-250 B	56.26	15.63	121.19	3500	31.28	37.00	Y2-250M-2	59.4	250	2.1
	93.77	26.05	107.64		40.93	45.00	55KW	67.2		3.8
	112.53	31.26	96.72		44.94	55.00		66		4.9
E80-50-250 C	53.11	14.75	107.50	3500	26.50	37.00	Y2-225M-2	58.7	236	2
	88.52	24.59	94.82		34.55	45.00	45KW	66.2		3.6
	106.23	29.51	84.48		37.68	45.00		64.9		4.6
E80-50-250 D	49.96	13.88	93.80	3500	22.33	30.00	Y2-200L2-2	57.2	222	2
	83.27	23.13	82.44		28.78	37.00	37KW	65		3.3
	99.92	27.76	73.27		31.67	37.00		63		4.1



EH100-80-160	99.06	27.52	58.41	3500	21.54	30.00	Y2-200L2-2	73.2	182	2.3
	165.10	45.86	50.11		27.83	37.00	37KW	81		4.1
	198.12	55.03	42.10		29.55	37.00		76.9		6.8
EH100-80-160 A	94.16	26.16	52.87	3500	18.90	22.00	Y2-200L1-2	71.8	173	2.2
	156.94	43.59	45.23		23.94	30.00	30KW	80.8		3.9
	188.33	52.31	37.94		25.66	30.00		75.9		5.9
EH100-80-160 B	89.26	24.80	47.27	3500	16.26	18.50	Y2-200L1-2	70.7	164	2.2
	148.77	41.33	40.78		20.85	30.00	30KW	79.3		3.6
	178.53	49.59	34.43		22.34	30.00		75		5.1
EH100-80-160 C	84.37	23.44	42.24	3500	14.01	18.50	Y2-180M-2	69.3	155	2.2
	140.61	39.06	36.41		18.00	22.00	22KW	77.5		3.2
	168.73	46.87	30.59		19.45	22.00		72.3		4.5
EH100-80-160 D	79.47	22.07	37.58	3500	12.15	15.00	Y2-160L-2	67	146	2.2
	132.45	36.79	32.34		15.56	18.50	18.5KW	75		3
	158.93	44.15	27.09		16.64	18.50		70.5		4
EH100-65-200	117.31	32.59	99.92	3500	45.05	55.00	Y2-280S-2	70.9	228	2.8
	195.52	54.31	90.02		59.21	75.00	75KW	81		2.7
	234.62	65.17	80.26		65.28	75.00		78.6		8.9
EH100-65-200 A	111.65	31.01	90.02	3500	38.68	45.00	Y2-280S-2	70.8	217	2.7
	186.08	51.69	80.26		50.81	75.00	75KW	80.1		5
	223.30	62.03	71.23		55.92	75.00		77.5		8.2
EH100-65-200 B	105.48	29.30	80.11	3500	32.85	37.00	Y2-250M-2	70.1	205	2.6
	175.79	48.83	70.94		42.85	55.00	55KW	79.3		4.3
	210.95	58.60	62.49		47.02	55.00		76.4		7
EH100-65-200 C	99.82	27.73	70.06	3500	27.70	37.00	Y2-225M-2	68.8	194	2.5
	166.36	46.21	61.76		36.08	45.00	45KW	77.6		4
	199.63	55.45	53.89		39.25	45.00		74.7		6
EH100-65-200 D	93.64	26.01	60.59	3500	23.01	30.00	Y2-200L2-2	67.2	182	2.5
	156.07	43.35	52.87		29.55	37.00	37KW	76.1		3.6
	187.28	52.02	45.30		31.98	37.00		72.3		5
EH100-65-250	117.31	32.59	147.41	3500	71.51	90.00	Y2-315S-2	65.9	278	3.2
	195.52	54.31	132.84		90.74	110.00	110KW	78		5.9
	234.62	65.17	119.44		99.95	110.00		76.4		7.7
EH100-65-250 A	111.40	30.95	135.46	3500	63.07	75.00	Y2-315S-2	65.2	264	3.1
	185.67	51.58	122.06		79.18	90.00	110KW	78		5.4
	222.81	61.89	109.89		87.44	110.00		76.3		7
EH100-65-250 B	105.49	29.30	122.79	3500	54.73	75.00	Y2-280M-2	64.5	250	3
	175.82	48.84	110.70		68.62	90.00	90KW	77.3		5
	210.99	58.61	99.92		75.69	90.00		75.9		6.4
EH100-65-250 C	99.59	27.66	110.99	3500	47.66	55.00	Y2-280S-2	63.2	236	2.9
	165.98	46.11	99.63		59.06	75.00	75KW	76.3		4.8
	199.17	55.33	89.87		64.86	75.00		75.2		6
EH100-65-250 D	93.68	26.02	99.05	3500	40.98	55.00	Y2-280S-2	61.7	222	2.8
	156.13	43.37	88.85		50.54	75.00	75KW	74.8		4.4
	187.36	52.04	79.88		55.11	75.00		74		5.5



EH125-80-200	143.38	39.83	94.39	3500	52.61	75.00	Y2-280M-2	70.1	228	3.6
	238.97	66.38	83.03		68.01	75.00	90KW	79.5		5.2
	286.76	79.66	72.76		74.51	90.00		76.3		9.1
EH125-80-200 A	136.46	37.91	84.63		45.74	55.00	Y2-280S-2	68.8	217	3.6
	227.44	63.18	74.14		58.46	75.00	75KW	78.6		4.7
	272.92	75.81	64.60		63.80	75.00		75.3		7.7
EH125-80-200 B	128.92	35.81	75.89		39.97	45.00	Y2-280S-2	66.7	205	3.6
	214.86	59.68	65.26		49.62	55.00	75KW	77		4.2
	257.83	71.62	56.44		53.59	75.00		74		6.3
EH125-80-200 C	122.00	33.89	67.00		34.22	45.00	Y2-250M-2	65.1	194	3.6
	203.33	56.48	56.87		42.01	55.00	55KW	75		3.9
	244.00	67.78	48.65		44.80	55.00		72.2		5.4
EH125-80-200 D	114.45	31.79	58.18		28.80	37.00	Y2-225M-2	63	182	3.6
	190.75	52.99	48.94		34.85	45.00	45KW	73		3.7
	228.90	63.58	41.95		36.91	45.00		70.9		4.8
EH125-80-250	156.41	43.45	146.53		92.94	110.00	Y2-315L1-2	67.2	278	2.9
	260.69	72.41	134.15		118.83	132.00	160KW	80.2		5.3
	312.83	86.90	122.35		130.21	160.00		80.1		7.3
EH125-80-250 A	148.54	41.26	131.09		79.08	90.00	Y2-315M-2	67.1	264	2.8
	247.56	68.77	119.88		100.96	110.00	132KW	80.1		5
	297.07	82.52	109.24		110.82	132.00		79.8		6.8
EH125-80-250 B	140.66	39.07	116.53		67.47	75.00	Y2-315S-2	66.2	250	2.7
	234.43	65.12	106.48		85.67	110.00	110KW	79.4		4.7
	281.32	78.14	97.16		94.40	110.00		78.9		6.1
EH125-80-250 C	132.78	36.88	103.42		58.11	75.00	Y2-280M-2	64.4	236	2.5
	221.30	61.47	94.39		72.51	90.00	90KW	78.5		4.2
	265.57	73.77	84.92		79.50	90.00		77.3		5.5
EH125-80-250 D	124.91	34.70	90.31		49.26	55.00	Y2-280S-2	62.4	222	2.4
	208.18	57.83	81.86		61.10	75.00	75KW	76		3.9
	249.81	69.39	72.83		66.73	75.00		74.3		5
EH125-100-200	198.12	55.03	94.53		69.16	90.00	Y2-315S-2	73.8	228	3.9
	330.21	91.72	79.97		86.69	110.00	110KW	83		6.9
	396.25	110.07	64.82		92.33	110.00		75.8		11.2
EH125-100-200 A	187.70	52.14	84.48	59.36	75.00	Y2-280M-2	72.8	217	3.8	
	312.83	86.90	70.70	73.77	90.00	90KW	81.7		6.2	
	375.39	104.28	57.24	78.29	90.00		74.8		9.4	
EH125-100-200 B	177.27	49.24	74.58	50.74	75.00	Y2-280S-2	71	205	3.8	
	295.45	82.07	61.47	61.94	75.00	75KW	79.9		5.7	
	354.54	98.48	49.09	65.23	75.00		72.7		8	
EH125-100-200 C	165.80	46.06	65.46	43.11	55.00	Y2-280S-2	68.6	194	3.7	
	276.33	76.76	53.31	51.27	75.00	75KW	78.3		5.1	
	331.60	92.11	42.24	53.61	75.00		71.2		7	
EH125-100-200 D	152.06	42.24	56.37	36.50	45.00	Y2-250M-2	64	182	3.7	
	253.43	70.40	45.96	41.87	55.00	55KW	75.8		4.7	
	304.12	84.48	36.12	43.39	55.00		69		5.9	



EH125-100-250	217.24	60.34	145.37	3500	121.21	160.00	Y2-315L2-2	71	278	3.6
	364.97	101.38	131.09		160.96	200.00	200KW	81		6.8
	434.48	120.69	116.53		179.41	200.00		76.9		9
EH125-100-250 A	207.95	57.76	130.80		104.40	132.00	Y2-315L2-2	71	264	3.4
	346.59	96.27	118.28		139.11	160.00	200KW	80.3		6.1
	415.90	115.53	104.58		155.14	200.00		76.4		8.3
EH125-100-250 B	196.92	54.70	116.24		88.98	110.00	Y2-315L1-2	70.1	250	3.3
	328.21	91.17	105.02		118.44	132.00	160KW	79.3		5.7
	393.85	109.40	93.22		131.99	160.00		75.8		7.7
EH125-100-250 C	185.90	51.64	102.25		75.29	90.00	Y2-315M-2	68.8	236	3.2
	309.83	86.06	91.77		99.58	110.00	132KW	77.8		5.1
	371.79	103.28	80.99		110.88	132.00		74		6.9
EH125-100-250 D	174.87	48.57	88.85		63.01	75.00	Y2-315S-2	67.2	222	3.1
	291.45	80.96	71.81		75.34	90.00	110KW	75.7		4.8
	349.74	97.15	69.63		92.42	110.00		71.8		6.2



EH60Hz

EH Model	Capacity		Head m	Speed r/min	Power(kw)		Motor Model	Eff %	Impeller Dia. mm	NPSHr m
	m ³ /h	L/s			Shaft kw	Motor kw				
EH50-32-160	10.43	2.90	16.02	1750	0.90	1.10	Y2-90L-4	50.4	182	1.7
	17.38	4.83	14.10		1.14	1.50	1.5KW	58.4		2.1
	20.86	5.79	12.38		1.25	1.50		56.2		3
EH50-32-160 A	9.91	2.75	14.57		0.79	1.10	Y2-90L-4	49.6	173	1.7
	16.52	4.59	12.79		1.00	1.50	1.5KW	57.8		2
	19.82	5.51	11.22		1.09	1.50		55.4		2.7
EH50-32-160 B	9.40	2.61	13.05		0.69	1.10	Y2-90L-4	48.2	164	1.8
	15.66	4.35	11.36		0.86	1.10	1.5KW	56.7		1.9
	18.79	5.22	10.01		0.94	1.50		54.4		2.4
EH50-32-160 C	8.88	2.47	11.51		0.59	0.75	Y2-90S-4	47	155	1.9
	14.80	4.11	9.98		0.73	1.10	1.1KW	55.4		1.9
	17.76	4.93	8.77		0.79	1.10		53.5		2.2
EH50-32-160 D	8.36	2.32	10.05	0.50	0.75	Y2-90S-4	45.6	146	1.9	
	13.94	3.87	8.74	0.61	0.75	1.1KW	54		1.9	
	16.73	4.65	7.47	0.66	1.10		52		2	
EH50-32-200	11.99	3.33	24.47	1750	1.61	2.20	Y2-100L2-4	49.7	228	1.8
	19.99	5.55	21.99		2.10	3.00	3KW	57		4
	23.98	6.66	19.08		2.31	3.00		54		6.4
EH50-32-200 A	11.41	3.17	21.99		1.39	2.20	Y2-100L2-4	49.3	217	1.7
	19.02	5.28	19.66		1.81	2.20	3KW	56.4		3.8
	22.83	6.34	17.12		1.98	3.00		53.9		5.8
EH50-32-200 B	10.78	3.00	19.66		1.19	1.50	Y2-100L1-4	48.6	205	1.7
	17.97	4.99	17.48		1.54	2.20	2.2KW	55.5		3.3
	21.56	5.99	15.44		1.69	2.20		53.8		5
EH50-32-200 C	10.20	2.83	17.33		1.01	1.50	Y2-100L1-4	47.8	194	1.6
	17.01	4.72	15.44		1.31	2.20	2.2KW	54.8		2.9
	20.41	5.67	13.62		1.41	2.20		53.6		3.8
EH50-32-200 D	9.57	2.66	15.06	0.85	1.10	Y2-90L-4	46.2	182	1.6	
	15.95	4.43	13.40	1.08	1.50	1.5KW	53.9		2.1	
	19.14	5.32	12.00	1.19	1.50		52.6		3.2	
EH65-50-160	15.64	4.34	15.59	1750	1.12	1.50	Y2-100L1-4	59.2	182	1.9
	26.07	7.24	13.90		1.54	2.20	2.2KW	64		2.1
	31.28	8.69	12.45		1.66	2.20		63.8		3.2
EH65-50-160 A	14.87	4.13	14.32		1.00	1.50	Y2-100L1-4	58.2	173	1.9
	24.78	6.88	12.53		1.32	2.20	2.2KW	64		2
	29.74	8.26	11.22		1.44	2.20		63.3		3
EH65-50-160 B	14.09	3.92	12.53		0.86	1.10	Y2-90L-4	55.9	164	2
	23.49	6.53	11.22		1.14	1.50	1.5KW	62.8		2
	28.19	7.83	9.98		1.24	1.50		62		2.7
EH65-50-160 C	13.32	3.70	10.92		0.74	1.10	Y2-90L-4	53.3	155	2
	22.20	6.17	9.90		0.99	1.50	1.5KW	60.3		1.9
	26.64	7.40	8.81		1.08	1.50		59.3		2.2
EH65-50-160 D	12.55	3.49	9.78	0.66	1.10	Y2-90L-4	50.5	146	2.1	
	20.91	5.81	8.59	0.86	1.10	1.5KW	57		1.9	
	25.09	6.97	7.66	0.92	1.50		56.8		2	



EH65-40-200	15.64	4.34	24.66	1750	1.98	3.00	Y2-112M-4	53	228	1.3
	26.07	7.24	22.37		2.61	4.00	4KW	61		2.7
	31.28	8.69	19.62		2.85	4.00		58.6		3.9
EH65-40-200 A	14.89	4.14	21.99		1.71	2.20	Y2-100L2-4	52.2	217	1.2
	24.81	6.89	19.84		2.25	3.00	3KW	59.7		2.3
	29.77	8.27	17.04		2.46	3.00		56.1		3.5
EH65-40-200 B	14.06	3.91	19.80		1.49	2.20	Y2-100L2-4	51	205	1.2
	23.44	6.51	17.26		1.92	3.00	3KW	57.3		2.1
	28.13	7.81	14.49		2.08	3.00		53.3		3.1
EH65-40-200 C	13.31	3.70	17.20		1.28	1.50	Y2-100L1-4	48.7	194	1.1
	22.18	6.16	14.77		1.64	2.20	2.2KW	54.3		2
	26.62	7.39	12.13		1.77	2.20		49.6		2.9
EH65-40-200 D	12.49	3.47	14.86		1.10	1.50	Y2-100L1-4	46.1	182	1.1
	20.81	5.78	12.53		1.39	2.20	2.2KW	51		1.9
	24.97	6.94	10.05		1.47	2.20		46.5		2.4
EH65-40-250	20.86	5.79	37.29		4.22	5.50	Y2-132M-4	50.2	278	1.1
	34.76	9.66	32.34		5.47	7.50	7.5KW	56		2.1
	41.71	11.59	27.97		5.96	7.50		53.3		2.7
EH65-40-250 A	19.80	5.50	33.50		3.66	5.50	Y2-132M-4	49.4	264	1.1
	33.01	9.17	28.84		4.70	5.50	7.5KW	55.2		1.9
	39.61	11.00	24.76		5.15	7.50		51.9		2.5
EH65-40-250 B	18.75	5.21	29.71		3.14	4.00	Y2-132S-4	48.3	250	1.1
	31.26	8.68	25.49		4.01	5.50	5.5KW	54.1		1.8
	37.51	10.42	21.70		4.40	5.50		50.4		2.3
EH65-40-250 C	17.70	4.92	26.22		2.71	4.00	Y2-132S-4	46.7	236	1
	29.51	8.20	22.14		3.40	4.00	5.5KW	52.4		1.6
	35.41	9.84	18.72		3.70	5.50		48.8		2.1
EH65-40-250 D	16.65	4.63	22.33		2.28	3.00	Y2-112M-4	44.4	222	1
	27.76	7.71	18.64		2.82	4.00	4KW	50		1.5
	33.31	9.25	15.59		3.11	4.00		45.5		2
EH65-40-315	26.07	7.24	54.77		8.00	11.00	Y2-160L-4	43.7	342	2.5
	43.45	12.07	47.78		11.20	15.00	15KW	50.5		3.1
	52.14	14.48	42.24		12.25	15.00		49		4.9
EH65-40-315 A	24.77	6.88	47.05	7.22	11.00	Y2-160L-4	44	325	2.5	
	41.29	11.47	41.95	9.40	15.00	15KW	50.2		3	
	49.55	13.76	36.85	10.28	15.00		48.4		4.1	
EH65-40-315 B	23.46	6.52	42.24	6.11	7.50	Y2-160M-4	44.2	308	2.5	
	39.10	10.86	36.56	7.78	11.00	11KW	50.1		2.8	
	46.92	13.03	31.75	8.46	11.00		48		3.8	
EH65-40-315 C	21.90	6.08	36.85	5.02	7.50	Y2-160M-4	43.8	291	2.5	
	36.50	10.14	32.05	6.44	11.00	11KW	49.5		2.8	
	43.80	12.17	27.82	7.00	11.00		47.4		3.2	
EH65-40-315 D	20.62	5.73	32.05	4.16	5.50	Y2-132M-4	43.3	274	2.5	
	34.36	9.55	27.60	5.29	7.50	7.5KW	48.9		2.6	
	41.24	11.45	24.33	5.83	7.50		46.9		3	



EH80-65-160	31.28	8.69	15.80	1750	2.03	3.00	Y2-112M-4	66.3	182	1
	52.14	14.48	13.84		2.59	4.00	4KW	76		1.7
	62.57	17.38	12.13		2.81	4.00		73.5		2.8
EH80-65-160 A	29.74	8.26	14.23		1.79	2.20	Y2-100L2-4	64.6	173	1
	49.56	13.77	12.34		2.21	3.00	3KW	75.4		1.4
	59.47	16.52	10.79		2.45	3.00		71.4		2.4
EH80-65-160 B	28.19	7.83	12.70		1.55	2.20	Y2-100L2-4	62.9	164	1.1
	46.98	13.05	10.97		1.90	3.00	3KW	74		1.3
	56.38	15.66	9.56		2.07	3.00		71		2.2
EH80-65-160 C	26.64	7.40	11.22		1.37	2.20	Y2-100L1-4	59.3	155	1.1
	44.40	12.33	9.51		1.60	2.20	2.2KW	71.8		1.2
	53.28	14.80	8.16		1.74	2.20		68		1.8
EH80-65-160 D	25.09	6.97	9.80		1.20	1.50	Y2-100L1-4	55.7	146	1.2
	41.82	11.62	8.30		1.40	2.20	2.2KW	67.8		1.1
	50.19	13.94	7.06		1.47	2.20		65.8		1.5
EH80-50-200	31.28	8.69	25.78	3.32	4.00	Y2-132S-4	66.2	228	1.3	
	52.14	14.48	22.43	4.37	5.50	5.5KW	73		2.7	
	62.57	17.38	19.81	4.78	5.50		70.7		3.8	
EH80-50-200 A	29.77	8.27	23.01	2.86	4.00	Y2-132S-4	65.2	217	1.3	
	49.62	13.78	19.96	3.75	5.50	5.5KW	72		2.4	
	59.55	16.54	17.62	4.17	5.50		68.6		3.4	
EH80-50-200 B	28.13	7.81	20.30	2.46	3.00	Y2-112M-4	63.2	205	1.2	
	46.88	13.02	17.48	3.21	4.00	4KW	69.5		2.1	
	56.25	15.63	15.48	3.59	4.00		66.1		3	
EH80-50-200 C	26.62	7.39	17.77	2.11	3.00	Y2-112M-4	61	194	1.2	
	44.36	12.32	15.00	2.71	4.00	4KW	66.9		1.9	
	53.24	14.79	13.11	3.02	4.00		63		2.7	
EH80-50-200 D	24.97	6.94	15.15	1.76	2.20	Y2-100L2-4	58.5	182	1.2	
	41.62	11.56	12.82	2.27	3.00	3KW	64		1.8	
	49.94	13.87	10.92	2.52	3.00		59		2.3	
E80-50-250	31.28	8.69	37.00	5.76	7.50	Y2-160M-4	54.8	278	1.1	
	52.14	14.48	34.67	7.46	11.00	11KW	66		1.4	
	62.57	17.38	32.19	8.19	11.00		67		1.7	
E80-50-250 A	29.71	8.25	33.50	4.95	7.50	Y2-160M-4	54.8	264	1.1	
	49.51	13.75	31.51	6.46	11.00	11KW	65.8		1.4	
	59.41	16.50	29.28	7.10	11.00		66.8		1.6	
E80-50-250 B	28.13	7.81	30.44	4.37	5.50	Y2-132M-4	53.4	250	1.1	
	46.89	13.02	28.40	5.60	7.50	7.5KW	64.8		1.4	
	56.26	15.63	26.44	6.10	7.50		66.4		1.5	
E80-50-250 C	26.56	7.38	27.09	3.70	5.50	Y2-132M-4	53	236	1.1	
	44.26	12.29	25.20	4.73	5.50	7.5KW	64.2		1.3	
	53.11	14.75	23.60	5.25	7.50		65.1		1.4	
E80-50-250 D	24.98	6.94	23.45	3.15	4.00	Y2-132S-4	50.6	222	1.1	
	41.64	11.57	21.99	3.99	5.50	5.5KW	62.6		1.2	
	49.96	13.88	20.39	4.41	5.50		62.9		1.4	



EH80-50-315	31.28	8.69	56.81	1750	10.30	15.00	Y2-180M-4	47	342	1.1
	52.14	14.48	52.44		13.07	18.50	18.5KW	57		1.6
	62.57	17.38	48.43		14.31	18.50		57.7		2.1
EH80-50-315 A	29.73	8.26	50.69		8.66	11.00	Y2-160L-4	47.4	325	1.1
	49.55	13.76	46.61		11.02	15.00	15KW	57.1		1.5
	59.46	16.52	43.12		12.23	15.00		57.1		1.9
EH80-50-315 B	28.17	7.83	45.15		7.31	11.00	Y2-160L-4	47.4	308	1.1
	46.95	13.04	41.51		9.30	15.00	15KW	57.1		1.4
	56.35	15.65	37.87		10.33	15.00		56.3		1.7
EH80-50-315 C	26.62	7.39	39.77		6.14	7.50	Y2-160M-4	47	291	1.1
	44.36	12.32	36.85		7.86	11.00	11KW	56.7		1.4
	53.24	14.79	33.50		8.73	11.00		55.7		1.6
EH80-50-315 D	25.06	6.96	34.96	5.19	7.50	Y2-160M-4	46	274	1	
	41.77	11.60	32.34	6.62	11.00	11KW	55.6		1.3	
	50.13	13.92	29.13	7.25	11.00		54.9		1.5	
EH100-80-160	49.53	13.76	14.30	2.68	4.00	Y2-132S-4	72	182	2.2	
	82.55	22.93	12.38	3.48	4.00	5.5KW	80		3	
	99.06	27.52	10.68	3.75	5.50		76.9		3.9	
EH100-80-160 A	47.08	13.08	12.67	2.32	3.00	Y2-112M-4	70	173	2.2	
	78.47	21.80	11.13	3.02	4.00	4KW	78.8		2.8	
	94.16	26.16	9.61	3.29	4.00		74.9		3.3	
EH100-80-160 B	44.63	12.40	11.51	2.06	3.00	Y2-112M-4	68.1	164	2.2	
	74.39	20.66	9.98	2.63	4.00	4KW	77		2.6	
	89.26	24.80	8.49	2.83	4.00		73		3.1	
EH100-80-160 C	42.18	11.72	10.27	1.79	2.20	Y2-100L2-4	65.8	155	2.2	
	70.31	19.53	8.86	2.27	3.00	3KW	74.6		2.5	
	84.37	23.44	7.57	2.46	3.00		70.8		2.9	
EH100-80-160 D	39.73	11.04	9.03	1.55	2.20	Y2-100L2-4	63.2	146	2.2	
	66.22	18.40	7.76	1.95	3.00	3KW	72		2.3	
	79.47	22.07	6.57	2.10	3.00		67.8		2.8	
EH100-65-200	57.35	15.93	25.05	5.75	7.50	Y2-160M-4	68.1	228	2	
	95.59	26.55	22.29	7.52	11.00	11KW	77.2		2.9	
	114.70	31.86	19.96	8.17	11.00		76.3		3.4	
EH100-65-200 A	54.58	15.16	22.58	4.94	7.50	Y2-160M-4	68	217	2	
	90.97	25.27	20.10	6.45	11.00	11KW	77.2		2.8	
	109.17	30.32	17.92	7.03	11.00		75.8		3.2	
EH100-65-200 B	51.57	14.32	20.10	4.22	5.50	Y2-132M-4	67	205	2	
	85.94	23.87	17.77	5.43	7.50	7.5KW	76.7		2.7	
	103.13	28.65	15.88	5.98	7.50		74.6		3.1	
EH100-65-200 C	48.80	13.56	17.62	4.04	5.50	Y2-132M-4	58	194	2	
	81.33	22.59	15.44	5.22	7.50	7.5KW	65.5		2.5	
	97.60	27.11	13.40	5.75	7.50		62		2.9	
EH100-65-200 D	45.78	12.72	15.15	2.91	4.00	Y2-132S-4	65	182	2	
	76.30	21.19	13.11	3.81	5.50	5.5KW	71.5		2.4	
	91.56	25.43	11.07	4.12	5.50		67		2.8	



EH100-65-250	57.35	15.93	37.73	1750	9.21	11.00	Y2-160L-4	64	278	1.2			
	95.59	26.55	35.10		12.34	15.00	15KW	74.1		1.8			
	114.70	31.86	32.34		13.30	15.00		76		2.1			
EH100-65-250 A	54.46	15.13	34.08		1750	7.90	11.00	Y2-160L-4	64	264	1.2		
	90.77	25.21	31.75			10.61	15.00	15KW	74		1.6		
	108.93	30.26	29.42			11.57	15.00		75.5		2.1		
EH100-65-250 B	51.58	14.33	30.59			1750	6.73	11.00	Y2-160M-4	63.9	250	1.2	
	85.96	23.88	28.11				8.93	11.00	11KW	73.7		1.5	
	103.15	28.65	26.22				9.83	11.00		75		1.9	
EH100-65-250 C	48.09	13.52	26.66				1750	5.08	7.50	Y2-160M-4	62.3	236	1.2
	81.15	22.54	24.76					7.48	11.00	11KW	73.2		1.4
	97.37	27.05	22.87					8.24	11.00		73.6		1.7
EH100-65-250 D	45.80	12.72	23.16	1750				4.82	7.50	Y2-160M-4	60	222	1.2
	76.33	21.20	21.56					6.24	7.50	11KW	71.9		1.3
	91.60	25.44	19.96					6.90	11.00		72.2		1.6
EH100-65-315	67.78	18.83	57.10		1750			16.82	22.00	Y2-200L-4	62.7	342	1.8
	112.97	31.38	52.00					22.55	30.00	30KW	71		3.1
	135.56	37.66	47.05					25.11	30.00		69.2		4.4
EH100-65-315 A	64.41	17.89	51.27			1750		14.47	18.50	Y2-200L-4	62.2	325	1.8
	107.35	29.82	46.47					19.17	22.00	30KW	70.9		2.9
	128.82	35.78	41.80					21.27	30.00		69		3.9
EH100-65-315 B	61.04	16.96	45.88				1750	12.33	15.00	Y2-180L-4	61.9	308	1.8
	101.74	28.26	40.93					16.10	18.50	22KW	70.5		2.7
	122.08	33.91	36.41					17.80	22.00		67.7		3.7
EH100-65-315 C	57.67	16.02	40.78	1750				10.51	15.00	Y2-180M-4	61	291	1.7
	96.12	26.70	35.40					13.53	15.00	18.5KW	68.5		2.4
	115.34	32.04	31.75					15.12	18.50		66		3.2
EH100-65-315 D	54.30	15.08	35.83		1750			8.84	11.00	Y2-160L-4	60	274	1.7
	90.50	25.14	31.46					11.41	15.00	15KW	68		2.2
	108.61	30.17	27.53					12.55	15.00		64.9		2.8



EH125-80-200	78.21	21.72	23.60	1750	7.18	11.00	Y2-160M-4	70	228	1.8	
	130.34	36.21	20.54		9.23	11.00	11KW	79		3.1	
	156.41	43.45	17.92		9.89	11.00		77.2		3.9	
EH125-80-200 A	74.43	20.68	21.56		6.24	7.50	Y2-160M-4	70.1	217	1.8	
	124.06	34.46	18.79		8.04	11.00	11KW	79		3	
	148.87	41.35	15.88		8.39	11.00		76.8		3.7	
EH125-80-200 B	70.32	19.53	19.37		5.34	7.50	Y2-160M-4	69.5	205	1.7	
	117.20	32.55	16.46		6.72	11.00	11KW	78.2		2.8	
	140.64	39.07	14.13		7.17	11.00		75.5		3.4	
EH125-80-200 C	66.54	18.48	17.04		4.61	7.50	Y2-132M-4	67	194	1.7	
	110.91	30.81	14.42		5.73	7.50	7.5KW	76		2.6	
	133.09	36.97	12.38		6.11	7.50		73.5		3.1	
EH125-80-200 D	62.43	17.34	14.71		3.88	5.50	Y2-132M-4	64.5	182	1.7	
	104.05	28.90	12.53		4.77	7.50	7.5KW	74.5		2.5	
	124.86	34.68	10.49		5.03	7.50		70.9		2.9	
EH125-80-250	78.21	21.72	37.14		1750	11.64	15.00	Y2-180L-4	68	278	1.3
	130.34	36.21	34.67			15.39	18.50	22KW	80		2
	156.41	43.45	32.19			16.96	22.00		80.9		2.8
EH125-80-250 A	74.27	20.63	33.50	10.12		15.00	Y2-180M-4	67	264	1.3	
	123.78	34.38	31.03	13.15		15.00	18.5KW	79.6		1.8	
	148.54	41.26	28.84	14.47		18.50		80.7		2.4	
EH125-80-250 B	70.33	19.54	30.15	8.74		11.00	Y2-160L-4	66.1	250	1.2	
	117.22	32.56	27.82	11.23		15.00	15KW	79.1		1.7	
	140.66	39.07	25.64	12.24		15.00		80.3		2.1	
EH125-80-250 C	66.39	18.44	26.39	7.34		11.00	Y2-160L-4	65	236	1.2	
	110.65	30.74	24.47	9.45		11.00	15KW	78.1		1.6	
	132.78	36.88	22.43	10.26		15.00		79.1		2	
EH125-80-250 D	62.45	17.35	22.72	6.16		7.50	Y2-160M-4	62.8	222	1.2	
	104.09	28.91	20.83	7.77		11.00	11KW	76		1.4	
	124.91	34.70	19.23	8.52		11.00		76.8		1.9	
EH125-80-315	78.21	21.72	57.10	1750		19.32	22.00	Y2-225S-4	63	342	1.5
	130.34	36.21	51.56			25.09	30.00	37KW	73		2.1
	156.41	43.45	45.88			28.26	37.00		69.2		2.6
EH125-80-315 A	72.99	20.28	50.69		16.18	18.50	Y2-200L-4	62.3	325	1.5	
	121.66	33.79	46.32		21.33	30.00	30KW	72		2	
	145.99	40.55	41.22		23.90	30.00		68.6		2.4	
EH125-80-315 B	69.18	19.22	44.86		13.86	18.50	Y2-200L-4	61	308	1.4	
	115.29	32.03	40.64		18.03	22.00	30KW	70.8		1.9	
	138.35	38.43	35.69		20.17	30.00		66.7		2.3	
EH125-80-315 C	65.17	18.10	39.62		11.93	15.00	Y2-180L-4	59	291	1.4	
	108.62	30.17	35.69		15.31	18.50	22KW	69		1.8	
	130.34	36.21	30.88		17.08	22.00		64.2		2.1	
EH125-80-315 D	60.82	16.89	34.67		10.15	15.00	Y2-180M-4	56.6	274	1.3	
	101.36	28.16	30.88		12.73	15.00	18.5KW	67		1.7	
	121.64	33.79	26.80		14.21	18.50		62.5		2	



EH125-80-400	104.28	28.97	94.24	1750	42.51	55.00	Y2-280S-4	63	439	2
	173.79	48.28	84.05		56.86	75.00	75KW	70		4.2
	208.55	57.93	74.87		62.85	75.00		67.7		6.2
EH125-80-400 A	99.76	27.71	85.21	1750	36.60	45.00	Y2-280S-4	63.3	420	2
	166.27	46.19	75.16		49.14	55.00	75KW	69.3		3.9
	199.53	55.42	65.98		53.31	75.00		67.3		5.6
EH125-80-400 B	95.01	26.39	76.62	1750	31.49	37.00	Y2-250M-4	63	400	1.9
	158.35	43.99	67.15		42.30	55.00	55KW	68.5		3.7
	190.02	52.78	58.32		45.76	55.00		66		5
EH125-80-400 C	90.26	25.07	68.17	1750	27.04	37.00	Y2-225M-4	62	380	1.9
	150.44	41.79	59.28		36.16	45.00	45KW	67.2		3.2
	180.52	50.15	50.54		38.73	45.00		64.2		4.5
EH125-80-400 D	85.51	23.75	60.89	1750	23.33	30.00	Y2-225S-4	60.8	360	1.8
	142.52	39.59	53.02		31.39	37.00	37KW	65.6		3
	171.02	47.51	43.84		32.69	37.00		62.5		4
EH125-80-400 E	80.76	22.43	53.89	1750	20.03	30.00	Y2-200L-4	59.2	340	1.7
	134.60	37.39	46.61		26.67	30.00	30KW	64.1		2.9
	161.52	44.87	38.02		28.36	30.00		59		3.7
EH125-100-200	99.06	27.52	23.74	1750	9.09	11.00	Y2-160L-4	70.5	228	1.7
	165.10	45.86	20.68		11.21	15.00	15KW	83		2.7
	198.12	55.03	17.04		11.89	15.00		77.4		3.9
EH125-100-200 A	94.28	26.19	21.12	1750	7.84	11.00	Y2-160M-4	69.2	217	1.7
	157.14	43.65	17.77		9.34	11.00	11KW	81.5		2.4
	188.57	52.38	14.42		9.85	11.00		75.2		3.4
EH125-100-200 B	89.07	24.74	18.79	1750	6.66	11.00	Y2-160M-4	68.5	205	1.6
	148.45	41.24	15.44		7.86	11.00	11KW	79.5		2.2
	178.14	49.48	12.38		8.23	11.00		73		3
EH125-100-200 C	84.20	23.39	16.17	1750	5.54	7.50	Y2-132M-4	67	194	1.5
	140.34	38.98	13.11		6.51	7.50	7.5KW	77		2.1
	165.10	45.86	10.63		6.83	7.50		70		2.7
EH125-100-200 D	75.60	21.00	14.13	1750	4.49	5.50	Y2-132M-4	64.8	182	1.4
	126.00	35.00	11.51		5.30	7.50	7.5KW	74.5		1.9
	151.20	42.00	9.03		5.47	7.50		68		2.3
EH125-100-250	117.31	32.59	36.56	1750	16.12	22.00	Y2-200L-4	72.5	278	2
	195.52	54.31	33.36		22.21	30.00	30KW	80		3.2
	234.62	65.17	30.30		24.83	30.00		78		4.1
EH125-100-250 A	111.40	30.95	32.92	1750	13.94	18.50	Y2-200L-4	71.7	264	2
	185.67	51.58	29.71		18.91	22.00	30KW	79.5		3
	222.81	61.89	26.80		21.02	30.00		77.4		3.8
EH125-100-250 B	105.49	29.30	29.28	1750	11.90	15.00	Y2-180L-4	70.7	250	1.9
	175.82	48.84	26.36		16.09	18.50	22KW	78.5		2.9
	210.99	58.61	23.74		17.82	22.00		76.6		3.6
EH125-100-250 C	99.59	27.66	25.93	1750	10.20	15.00	Y2-180M-4	69	236	1.9
	165.98	46.11	23.16		13.57	15.00	18.5KW	77.2		2.8
	199.17	55.33	20.68		14.89	18.50		75.4		3.3



EH125-100-250 D	93.08	26.02	22.29		8.71	11.00	Y2-160L-4	65.3	222	1.8
	156.13	43.37	19.66		11.16	15.00		15KW		75
	187.36	52.04	17.48		12.33	15.00		72.4		3.1
EH125-100-315	117.31	32.59	55.50		25.94	30.00	Y2-225M-4	68.4	342	2
	195.52	54.31	49.52		33.83	37.00		45KW		78
	234.62	65.17	43.84		37.47	45.00		74.8		4.2
EH125-100-315 A	111.48	30.97	49.52		21.99	30.00	Y2-225S-4	68.4	325	2
	185.80	51.61	43.99		28.92	37.00		37KW		77
	222.96	61.93	38.60		31.61	37.00		74.2		4
EH125-100-315 B	105.65	29.35	44.43	1750	18.81	22.00	Y2-200L-4	68	308	1.9
	176.08	48.91	39.33		24.63	30.00		30KW		76.6
	211.30	58.69	34.23		26.60	30.00		74.1		3.8
EH125-100-315 C	99.82	27.73	39.47		15.98	18.50	Y2-200L-4	67.2	291	1.8
	166.36	46.21	34.67		20.65	30.00		30KW		76.1
	199.63	55.45	30.30		22.49	30.00		73.3		3.4
EH125-100-315 D	93.99	26.11	34.81		13.55	15.00	Y2-180L-4	65.8	274	1.8
	156.64	43.51	30.44		17.49	22.00		22KW		74.3
	187.97	52.21	26.51		18.89	22.00		71.9		4.2
EH125-100-400	143.38	39.83	93.22		54.61	75.00	Y2-280M-4	66.7	438	3.1
	238.97	66.38	83.03		73.06	90.00		90KW		74
	286.76	79.66	72.98		81.12	90.00		70.3		10
EH125-100-400 A	137.49	38.19	83.46		47.02	55.00	Y2-280M-4	66.5	420	3
	229.15	63.65	74.14		62.90	75.00		90KW		73.6
	274.97	76.38	64.82		69.98	90.00		69.4		8.7
EH125-100-400 B	130.94	36.37	74.29		40.10	55.00	Y2-280S-4	66.1	400	3
	218.23	60.62	65.69		53.88	75.00		75KW		72.5
	261.88	72.74	57.39		59.53	75.00		68.8		7.1
EH125-100-400 C	124.39	34.55	65.98	1750	34.36	45.00	Y2-250M-4	65.1	380	3
	207.32	57.59	58.26		45.97	55.00		55KW		71.6
	248.79	69.11	50.69		50.84	55.00		67.6		6.2
EH125-100-400 D	117.85	32.74	58.56		29.57	37.00	Y2-250M-4	63.6	360	2.9
	196.41	54.56	51.85		39.54	45.00		55KW		70.2
	235.69	65.47	45.15		43.68	55.00		66.4		5.3
EH125-100-400 E	111.30	30.92	51.42		25.32	30.00	Y2-225M-4	61.6	340	2.9
	185.50	51.53	46.03		33.87	37.00		45KW		68.7
	222.60	61.83	40.06		37.38	45.00		65		4.7
EH125-100-500	125.13	34.76	135.46		88.83	110.00	Y2-315L1-4	52	525	2.2
	208.55	57.93	127.31		114.30	132.00		160KW		63.3
	250.26	69.52	119.59		125.85	160.00		64.8		5.3
EH125-100-500 A	119.17	33.10	122.94		76.92	90.00	Y2-315M-4	51.9	500	2.1
	198.62	55.17	115.22		99.30	110.00		132KW		62.8
	238.34	66.21	106.77		108.35	132.00		64		5
EH125-100-500 B	113.21	31.45	110.85		67.05	90.00	Y2-315S-4	51	475	2
	188.69	52.41	103.27		85.10	110.00		110KW		62.4
	226.43	62.90	94.68		93.32	110.00		62.6		4.5
EH125-100-500 C	107.26	29.79	98.32	1750	57.13	75.00	Y2-280M-4	50.3	450	2
	178.76	49.66	91.62		72.92	90.00		90KW		61.2
	214.51	59.59	83.75		79.74	90.00		61.4		4.1
EH125-100-500 D	101.30	28.14	86.96		49.39	55.00	Y2-280S-4	48.6	425	1.9
	168.83	46.90	79.24		61.58	75.00		75KW		59.2
	202.59	56.28	71.37		67.01	75.00		58.8		3.8
EH125-100-500 E	95.34	26.48	74.58		40.53	55.00	Y2-280S-4	47.8	400	1.8
	158.90	44.14	68.17		52.24	75.00		75KW		56.5
	190.68	52.97	60.80		56.30	75.00		56.1		3.6



EH150-125-250	182.48	50.69	35.10	1750	22.67	30.00	Y2-225S-4	77	278	2.3
	304.14	84.48	30.59		29.82	37.00	37KW	85		4.1
	364.97	101.38	26.66		32.29	37.00		82.1		7.4
EH150-125-250 A	173.29	48.14	31.32		19.38	22.00	Y2-200L-4	76.3	264	2.3
	288.82	80.23	27.09		25.38	30.00	30KW	84		3.7
	346.59	96.27	23.31		27.34	30.00		80.5		6.1
EH150-125-250 B	164.10	45.58	27.68		16.46	18.50	Y2-200L-4	75.2	250	2.3
	273.51	75.97	23.52		21.30	30.00	30KW	82.3		3.3
	328.21	91.17	20.10		22.79	30.00		78.9		5
EH150-125-250 C	154.91	43.03	24.47		14.02	18.50	Y2-180L-4	73.7	236	2.3
	258.19	71.72	20.39		17.87	22.00	22KW	80.3		3
	309.83	86.06	17.19		19.14	22.00		75.8		4.2
EH150-125-250 D	145.72	40.48	20.83		12.16	15.00	Y2-180M-4	68	222	2.3
	242.87	67.46	17.33		14.90	18.50	18.5KW	77		2.8
	291.45	80.96	14.13		15.63	18.50		71.8		3.8
EH150-125-315	195.52	54.31	56.52		41.36	55.00	Y2-280S-4	72.8	342	4
	325.86	90.52	52.29		55.28	75.00	75KW	84		5
	391.03	108.62	47.78	62.08	75.00		82	6.2		
EH150-125-315 A	185.80	51.61	51.13	35.41	45.00	Y2-280S-4	73.1	325	4	
	309.66	86.02	46.47	46.96	55.00	75KW	83.5		4.8	
	371.60	103.22	41.95	52.44	75.00		81		5.8	
EH150-125-315 B	176.08	48.91	45.74	30.14	37.00	Y2-250M-4	72.8	308	3.9	
	293.47	81.52	41.22	39.67	45.00	59KW	83.1		4.8	
	352.16	97.82	36.41	43.90	55.00		79.6		5.3	
EH150-125-315 C	166.36	46.21	40.78	25.97	30.00	Y2-225M-4	71.2	291	3.8	
	277.27	77.02	36.41	33.76	37.00	45KW	81.5		4.6	
	332.72	92.42	31.61	37.12	45.00		77.2		5.1	
EH150-125-315 D	156.64	43.51	35.69	21.92	30.00	Y2-225S-4	69.5	274	3.7	
	261.07	72.52	31.75	28.31	37.00	37KW	79.8		4.3	
	313.28	87.02	26.80	31.00	37.00		73.8		4.9	
EH150-125-400	234.62	65.17	94.53	83.83	110.00	Y2-315L1-4	72.1	438	2.3	
	391.03	108.62	86.52	116.70	132.00	160KW	79		3.9	
	469.24	130.34	77.35	131.52	160.00		75.2		5.3	
EH150-125-400 A	224.98	62.40	86.81	73.92	90.00	Y2-315M-4	72	420	2.3	
	374.96	104.16	78.95	102.76	132.00	132KW	78.5		3.7	
	449.96	124.99	70.06	115.62	132.00		74.3		5	
EH150-125-400 B	214.27	59.52	79.53	64.67	75.00	Y2-315M-4	71.8	400	2.2	
	357.11	99.20	72.54	90.15	110.00	132KW	78.3		3.4	
	428.53	119.04	63.80	102.06	132.00		73		4.5	
EH150-125-400 C	203.55	56.54	71.96	56.21	75.00	Y2-315S-4	71	380	2.2	
	339.25	94.24	65.26	77.84	90.00	110KW	77.5		3.2	
	407.10	113.08	56.66	88.41	110.00		71.1		4.1	
EH150-125-400 D	192.84	53.57	64.24	48.22	55.00	Y2-280M-4	70	360	2.1	
	321.40	89.28	58.41	67.31	75.00	90KW	76		3	
	385.68	107.13	49.67	76.77	90.00		68		3.8	
EH150-125-400 E	182.13	50.59	57.39	41.58	55.00	Y2-280S-4	68.5	340	2.1	
	303.54	84.32	52.29	59.01	75.00	75KW	73.3		2.9	
	364.25	101.18	43.84	66.04	75.00		65.9		3.5	



EH150-125-500	234.62	65.17	138.96	1750	143.29	160.00	Y2-355M-4	62	525	3
	391.03	108.62	134.30		198.76	250.00	250KW	72		5.3
	469.24	130.34	128.18		224.52	250.00		73		8.2
EH150-125-500 A	223.45	62.07	125.27	1750	124.63	160.00	Y2-355M-4	61.2	500	3
	372.41	103.45	122.35		173.18	200.00	250KW	71.7		4.8
	446.90	124.14	116.53		194.39	250.00		73		7.2
EH150-125-500 B	212.28	58.97	113.32	1750	107.82	132.00	Y2-315L2-4	60.8	475	3
	353.79	98.28	109.39		147.09	160.00	200KW	71.7		4.3
	424.55	117.93	104.73		165.98	200.00		73		6.4
EH150-125-500 C	201.10	55.86	100.51	1750	91.34	110.00	Y2-315L1-4	60.3	450	3
	335.17	93.10	97.16		124.63	132.00	160KW	71.2		4
	402.21	111.72	92.93		140.88	160.00		72.3		5.7
EH150-125-500 D	189.93	52.76	87.40	1750	76.67	90.00	Y2-315M-4	59	425	3
	316.55	87.93	84.48		103.37	132.00	132KW	70.5		3.8
	379.86	105.52	81.42		117.88	132.00		71.5		5
EH150-125-500 E	178.76	49.66	74.29	1750	62.39	75.00	Y2-315S-4	58	400	3
	297.93	82.76	71.66		83.12	110.00	110KW	70		3.4
	357.52	99.31	69.33		95.81	110.00		70.5		4.5
EH200-150-315	291.97	81.10	51.27	1750	55.65	75.00	Y2-280M-4	73.3	342	2.7
	486.62	135.17	44.86		69.90	90.00	90KW	85		4.7
	583.94	162.21	37.73		74.48	90.00		80.6		7
EH200-150-315 A	277.46	77.07	46.03	1750	48.00	55.00	Y2-280S-4	72.5	325	2.6
	462.43	128.45	39.33		59.28	75.00	75KW	83.6		4.3
	554.92	154.14	32.92		62.38	75.00		79.8		6.1
EH200-150-315 B	262.95	73.04	40.78	1750	41.16	55.00	Y2-280S-4	71	308	2.4
	438.24	121.73	34.81		50.15	55.00	75KW	82.9		4
	525.89	146.08	28.84		52.72	75.00		78.4		5.4
EH200-150-315 C	248.43	69.01	36.41	1750	35.94	45.00	Y2-250M-4	68.6	291	2.3
	414.05	115.02	30.59		42.40	55.00	55KW	81.4		3.7
	496.87	138.02	25.26		44.18	55.00		77.4		4.9
EH200-150-315 D	233.92	64.98	31.75	1750	31.14	37.00	Y2-225M-4	65	274	2.2
	389.87	108.30	26.80		35.59	45.00	45KW	80		3.4
	467.84	129.96	22.29		37.04	45.00		76.7		4.4
EH200-150-400	333.68	92.69	86.09	1750	109.94	132.00	Y2-315L2-4	71.2	438	3
	556.14	154.48	76.62		141.95	160.00	200KW	81.8		4.2
	667.37	185.38	67.00		153.46	200.00		79.4		6.8
EH200-150-400 A	316.92	88.03	78.95	1750	95.76	110.00	Y2-315L1-4	71.2	416	3
	528.20	146.72	70.50		124.81	132.00	160KW	81.3		3.9
	633.84	176.07	61.98		133.81	160.00		80		5.8
EH200-150-400 B	300.16	83.38	72.10	1750	83.77	110.00	Y2-315M-4	70.4	394	3
	500.27	138.96	64.24		108.11	132.00	132KW	81		3.7
	600.32	166.76	56.81		115.87	132.00		80.2		4.9
EH200-150-400 C	283.40	78.72	65.26	1750	73.14	90.00	Y2-315S-4	68.9	372	3
	472.34	131.20	58.12		92.58	110.00	110KW	80.8		3.4
	566.80	157.45	50.98		98.18	110.00		80.2		4.3
EH200-150-400 D	266.64	74.07	58.26	1750	63.37	75.00	Y2-280M-4	66.8	350	3
	444.40	123.45	52.00		79.11	90.00	90KW	79.6		3.2
	533.28	148.13	45.45		83.07	90.00		79.5		3.9



EH200-150-500	349.32	97.03	142.75	1750	202.81	250.00	Y3-3551-4	67	525	2.8
	582.21	161.72	136.63		276.13	315.00	355KW	78.5		6
	698.65	194.07	130.37		314.17	355.00		79		10.4
EH200-150-500 A	332.69	92.41	129.49		176.53	200.00	Y2-355L-4	66.5	500	2.7
	554.48	154.02	123.52		239.27	315.00	315KW	78		5.3
	665.38	184.83	117.26		272.57	315.00		78		8.8
EH200-150-500 B	316.06	87.79	116.96		152.63	200.00	Y2-355L-4	66	475	2.6
	526.76	146.32	110.41		208.53	250.00	315KW	76		4.8
	632.11	175.59	104.44		236.70	315.00		76		7.6
EH200-150-500 C	299.42	83.17	104.88		131.65	160.00	Y2-355M-4	65	450	2.5
	499.63	138.62	98.03		177.74	200.00	250KW	75		4.3
	598.84	166.34	92.06		200.30	250.00		75		6.5
EH200-150-500 D	282.79	78.55	92.35		111.19	132.00	Y2-315L2-4	64	425	2.4
	471.31	130.92	85.79		148.90	160.00	200KW	74		4
	565.57	157.10	80.11		166.85	200.00		74		5.7
EH200-150-500 E	266.15	73.93	81.28		93.57	110.00	Y2-315L1-4	63	400	2.4
	443.59	123.22	75.45		126.67	132.00	160KW	72		3.7
	532.30	147.86	70.50	140.08	160.00		73	4.9		
EH250-200-315	495.31	137.59	49.67	88.33	110.00	Y2-315M-4	75.9	342	2.9	
	825.52	229.31	42.24	109.22	132.00	132KW	87		5.9	
	990.62	275.17	34.38	112.07	132.00		82.8		8.7	
EH250-200-315 A	470.69	130.75	44.13	76.60	90.00	Y2-315S-4	73.9	325	2.8	
	784.48	217.91	37.43	92.84	110.00	110KW	86.2		5.3	
	941.38	261.49	30.59	95.69	110.00		82		7.7	
EH250-200-315 B	446.07	123.91	39.33	67.52	75.00	Y2-280M-4	70.8	308	2.7	
	743.45	206.51	33.21	79.15	90.00	90KW	85		4.9	
	892.14	247.82	27.09	80.72	90.00		81.6		6.8	
EH250-200-315 C	421.45	117.07	34.67	59.16	75.00	Y2-280S-4	67.3	291	2.6	
	702.41	195.11	29.28	67.19	75.00	75KW	83.4		4.5	
	842.90	234.14	23.89	67.99	75.00		80.7		6.1	
EH250-200-315 D	396.83	110.23	30.30	51.35	75.00	Y2-280S-4	63.8	274	2.4	
	661.38	183.72	25.93	57.55	75.00	75KW	81.2		4.1	
	793.66	226.46	21.27	58.22	75.00		79		5.4	



EH50-32-160	20.86	5.79	64.24	3500	6.55	11.00	Y2-160M1-2	55.7	182	2.6
	34.76	9.66	55.50		8.41	11.00	11KW	62.5		4.5
	41.71	11.59	48.80		9.18	11.00		60.4		7.6
EH50-32-160 A	19.82	5.51	57.24	3500	5.08	7.50	Y2-160M1-2	54.4	173	2.5
	33.04	9.18	48.36		7.11	11.00	11KW	61.2		4.2
	39.65	11.01	42.02		7.81	11.00		58.1		6.1
EH50-32-160 B	18.79	5.22	50.40	3500	4.83	7.50	Y2-160M1-2	53.4	164	2.5
	31.32	8.70	42.10		6.10	7.50	11KW	58.9		3.9
	37.59	10.44	35.09		6.76	11.00		54.1		5.2
EH50-32-160 C	17.28	4.80	44.13	3500	4.08	5.50	Y2-132S2-2	51	155	2.4
	28.81	8.00	36.71		5.12	7.50	7.5KW	56.3		3.2
	34.57	9.60	30.73		5.64	7.50		51.3		4.5
EH50-32-160 D	16.28	4.52	37.87	3500	3.42	4.00	Y2-132S1-2	49.1	146	2.3
	27.13	7.54	30.88		4.27	5.50	5.5KW	53.5		3.1
	32.56	9.04	25.34		4.63	5.50		48.6		4
EH50-32-200	23.46	6.52	99.92	3500	12.53	15.00	Y2-180M-2	51	228	2.7
	30.10	10.86	88.85		16.47	18.50	22KW	57.5		5
	46.92	13.03	78.66		17.93	22.00		56.1		8.1
EH50-32-200 A	22.33	6.20	89.14	3500	10.76	15.00	Y2-160L-2	50.4	217	2.5
	37.22	10.34	78.51		13.92	18.50	18.5KW	57.2		4.3
	44.66	12.41	69.19		15.14	18.50		55.6		7.1
EH50-32-200 B	21.10	5.86	78.66	3500	9.15	11.00	Y2-160M2-2	49.4	205	2.4
	35.16	9.77	69.48		11.76	15.00	15KW	56.6		3.9
	42.19	11.72	60.45		12.73	15.00		54.6		6.1
EH50-32-200 C	19.96	5.55	69.33	3500	7.83	11.00	Y2-160M2-2	48.2	194	2.3
	33.27	9.24	60.01		9.80	15.00	15KW	55.5		3.5
	39.93	11.09	52.00		10.67	15.00		53		5.2
EH50-32-200 D	18.73	5.20	60.08	3500	6.67	11.00	Y2-160M1-2	46	182	2.2
	31.21	8.67	52.15		8.14	11.00	11KW	54.5		3.1
	37.46	10.40	44.28		8.81	11.00		51.3		4.5
EH65-50-160	31.28	8.69	64.53	3500	8.53	11.00	Y2-160M2-2	64.5	182	2.1
	52.14	14.48	56.95		11.24	15.00	15KW	72		4.8
	62.57	17.38	50.98		12.60	15.00		69		10
EH65-50-160 A	29.74	8.26	58.12	3500	7.37	11.00	Y2-160M2-2	63.9	173	2
	49.56	13.77	51.27		9.77	15.00	15KW	70.9		4
	59.47	16.52	45.74		10.82	15.00		68.5		8
EH65-50-160 B	28.19	7.83	51.56	3500	6.31	7.50	Y2-160M1-2	62.8	164	2
	46.98	13.05	45.45		8.29	11.00	11KW	70.2		3.6
	56.38	15.66	40.64		9.21	11.00		67.8		6.2
EH65-50-160 C	26.64	7.40	45.50	3500	5.43	7.50	Y2-160M1-2	61	155	2
	44.40	12.33	40.35		7.07	11.00	11KW	69.1		3.1
	53.28	14.80	35.98		7.84	11.00		66.6		5.1
EH65-50-160 D	25.09	6.97	40.20	3500	4.68	5.50	Y2-132S2-2	58.7	146	2
	41.82	11.62	35.10		6.02	7.50	7.5KW	66.5		2.8
	50.19	13.94	30.88		6.50	7.50		65		4.2
EH65-40-200	31.28	8.69	101.38	3500	15.52	18.50	Y2-200L1-2	55.7	228	2.1
	52.14	14.48	93.22		20.07	30.00	30KW	66		5.1
	62.57	17.38	81.13		22.35	30.00		61.9		8.2



EH65-40-200 A	29.20	8.11	90.31	3500	13.28	15.00	Y2-180M-2	54.1	217	2
	48.06	13.52	83.03		17.23	22.00	22KW	63.9		4.2
	58.39	10.22	71.81		18.86	22.00		60.6		7
EH65-40-200 B	27.11	7.53	79.57	3500	11.44	15.00	Y2-160L-2	51.4	205	1.9
	45.19	12.55	72.39		14.52	18.50	18.5KW	61.4		3.7
	54.22	15.06	62.56		15.86	18.50		58.3		5.8
EH65-40-200 C	25.55	7.10	69.63	3500	9.89	15.00	Y2-160M2-2	49	194	1.9
	42.58	11.83	61.76		12.25	15.00	15KW	58.5		3.2
	51.10	14.19	52.73		13.35	15.00		55		4.9
EH65-40-200 D	23.85	6.63	59.49	3500	8.41	11.00	Y2-160M2-2	46	182	1.8
	39.76	11.04	51.71		10.19	15.00	15KW	55		2.9
	47.71	13.25	43.70		10.92	15.00		52		4.1
EH65-40-250	36.50	10.14	151.20	3500	30.75	37.00	Y2-250M-2	48.9	278	1.7
	60.83	16.90	136.92		40.53	55.00	55KW	56		5
	72.99	20.28	126.00		44.44	55.00		56.4		7.3
EH65-40-250 A	34.06	9.63	135.46	3500	26.77	30.00	Y2-225M-2	47.8	264	1.6
	57.76	16.05	122.06		34.74	45.00	45KW	55.3		4.4
	69.32	19.25	111.28		38.22	45.00		55		6.7
EH65-40-250 B	32.82	9.12	119.73	3500	22.93	30.00	Y2-200L2-2	46.7	250	1.5
	54.70	15.19	107.79		29.59	37.00	37KW	54.3		4
	65.64	18.23	97.37		32.14	37.00		54.2		5.9
EH65-40-250 C	30.98	8.61	104.44	3500	19.38	22.00	Y2-200L1-2	45.5	236	1.4
	51.64	14.34	93.51		24.55	30.00	30KW	53.6		3.6
	61.97	17.21	84.34		26.82	30.00		53.1		5.1
EH65-40-250 D	29.14	8.10	88.85	3500	15.82	18.50	Y2-200L1-2	44.6	222	1.3
	48.57	13.49	79.53		20.01	22.00	30KW	52.6		3.1
	58.29	16.19	71.08		22.14	30.00		51		4.6
EH80-65-160	62.57	17.38	62.20	3500	14.89	18.50	Y2-200L1-2	71.2	182	2.7
	104.28	28.97	53.82		19.36	22.00	30KW	79		4.2
	125.13	34.76	46.90		21.02	30.00		76.1		6.4
EH80-65-160 A	59.47	16.52	56.08	3500	12.93	15.00	Y2-180M-2	70.3	173	2.5
	99.12	27.53	47.92		16.70	18.50	22KW	77.5		3.9
	118.94	33.04	41.51		18.13	22.00		74.2		5.8
EH80-65-160 B	56.38	15.66	50.40	3500	11.19	15.00	Y2-160L-2	69.2	164	2.5
	93.96	26.10	42.61		14.37	18.50	18.5KW	75.9		3.6
	112.76	31.32	37.14		15.63	18.50		73		5.1
EH80-65-160 C	53.28	14.80	44.63	3500	9.63	15.00	Y2-160M2-2	67.3	155	2.4
	88.81	24.67	37.43		12.28	15.00	15KW	73.8		3.2
	106.57	29.60	32.05		13.20	15.00		70.5		4.4
EH80-65-160 D	50.19	13.94	38.31	3500	8.19	11.00	Y2-160M2-2	64	146	2.4
	83.65	23.24	32.05		10.22	15.00	15KW	71.5		3
	100.38	27.88	27.24		10.86	15.00		68.6		3.9
EH80-50-200	52.14	14.48	102.11	3500	21.72	30.00	Y2-200L2-2	66.8	228	2.9
	86.90	24.14	93.22		29.43	37.00	37KW	75		4
	104.28	28.97	85.36		33.32	37.00		72.8		4.9
EH80-50-200 A	49.62	13.78	93.08	3500	19.04	22.00	Y2-200L2-2	66.1	217	2.8
	82.70	22.97	84.48		25.63	30.00	37KW	74.3		3.9
	99.25	27.57	77.20		28.96	37.00		72.1		4.6



EH80-50-200 B	46.88	13.02	84.05	3500	16.37	18.50	Y2-200L1-2 30KW	65.6	205	2.8
	78.13	21.70	75.89		22.13	30.00		73		3.7
	93.76	26.04	69.33		24.91	30.00		71.1		4.3
EH80-50-200 C	44.36	12.32	74.58	3500	14.11	18.50	Y2-200L1-2 30KW	63.9	194	2.7
	73.94	20.54	67.00		19.07	22.00		70.8		3.6
	88.73	24.65	60.67		21.29	30.00		68.9		4
EH80-50-200 D	41.62	11.56	64.96	3500	12.16	15.00	Y2-180L-2 22KW	60.6	182	2.7
	69.36	19.27	57.97		16.11	18.50		68		3.3
	83.24	23.12	51.85		17.77	22.00		66.2		3.8
E80-50-250	62.57	17.38	149.74	3500	43.12	55.00	Y2-280S-2 75KW	59.2	278	2.3
	104.28	28.97	134.88		56.78	75.00		67.5		4.4
	125.13	34.76	122.35		62.08	75.00		67.2		5.7
E80-50-250 A	59.41	16.50	135.39	3500	36.97	45.00	Y2-280S-2 75KW	59.3	264	2.2
	99.02	27.51	120.46		48.01	55.00		67.7		4.1
	118.83	33.01	108.66		52.59	75.00		66.9		5.2
E80-50-250 B	56.26	15.63	121.19	3500	31.28	37.00	Y2-250M-2 55KW	59.4	250	2.1
	93.77	26.05	107.64		40.93	45.00		67.2		3.8
	112.53	31.26	96.72		44.94	55.00		66		4.9
E80-50-250 C	53.11	14.75	107.50	3500	26.50	37.00	Y2-225M-2 45KW	58.7	236	2
	88.52	24.59	94.82		34.55	45.00		66.2		3.6
	106.23	29.51	84.48		37.68	45.00		64.9		4.6
E80-50-250 D	49.96	13.88	93.80	3500	22.33	30.00	Y2-200L2-2 37KW	57.2	222	2
	83.27	23.13	82.44		28.78	37.00		65		3.3
	99.92	27.76	73.27		31.67	37.00		63		4.1
EH100-80-160	99.06	27.52	58.41	3500	21.54	30.00	Y2-200L2-2 37KW	73.2	182	2.3
	165.10	45.86	50.11		27.83	37.00		81		4.1
	198.12	55.03	42.10		29.55	37.00		76.9		6.8
EH100-80-160 A	94.16	26.16	52.87	3500	18.90	22.00	Y2-200L1-2 30KW	71.8	173	2.2
	156.94	43.59	45.23		23.94	30.00		80.8		3.9
	188.33	52.31	37.94		25.06	30.00		75.9		5.9
EH100-80-160 B	89.26	24.80	47.27	3500	16.26	18.50	Y2-200L1-2 30KW	70.7	164	2.2
	148.77	41.33	40.78		20.85	30.00		79.3		3.6
	178.53	49.59	34.43		22.34	30.00		75		5.1
EH100-80-160 C	84.37	23.44	42.24	3500	14.01	18.50	Y2-180M-2 22KW	69.3	155	2.2
	140.61	39.06	36.41		18.00	22.00		77.5		3.2
	168.73	46.87	30.59		19.45	22.00		72.3		4.5
EH100-80-160 D	79.47	22.07	37.58	3500	12.15	15.00	Y2-160L-2 18.5KW	67	146	2.2
	132.45	36.79	32.34		15.56	18.50		75		3
	158.93	44.15	27.09		16.64	18.50		70.5		4
EH100-65-200	117.31	32.59	99.92	3500	45.05	55.00	Y2-280S-2 75KW	70.9	228	2.8
	195.52	54.31	90.02		59.21	75.00		81		2.7
	234.62	65.17	80.26		65.28	75.00		78.6		8.9
EH100-65-200 A	111.65	31.01	90.02	3500	38.68	45.00	Y2-280S-2 75KW	70.8	217	2.7
	186.08	51.69	80.26		50.81	75.00		80.1		5
	223.30	62.03	71.23		55.92	75.00		77.5		8.2
EH100-65-200 B	105.48	29.30	80.11	3500	32.85	37.00	Y2-250M-2 55KW	70.1	205	2.6
	175.79	48.83	70.94		42.85	55.00		79.3		4.3
	210.95	58.60	62.49		47.02	55.00		76.4		7



EH100-65-200 C	99.82	27.73	70.06	3500	27.70	37.00	Y2-225M-2	68.8	194	2.5
	166.36	46.21	61.76		36.08	45.00	45KW	77.6		4
	199.63	55.45	53.89		39.25	45.00		74.7		6
EH100-65-200 D	93.64	26.01	60.59	3500	23.01	30.00	Y2-200L2-2	67.2	182	2.5
	156.07	43.35	52.87		29.55	37.00	37KW	76.1		3.6
	187.28	52.02	45.30		31.98	37.00		72.3		5
EH100-65-250	117.31	32.59	147.41	3500	71.51	90.00	Y2-315S-2	65.9	278	3.2
	195.52	54.31	132.84		90.74	110.00	110KW	78		5.9
	234.62	65.17	119.44		99.95	110.00		76.4		7.7
EH100-65-250 A	111.40	30.95	135.46	3500	63.07	75.00	Y2-315S-2	65.2	264	3.1
	185.67	51.58	122.06		79.18	90.00	110KW	78		5.4
	222.81	61.89	109.89		87.44	110.00		76.3		7
EH100-65-250 B	105.49	29.30	122.79	3500	54.73	75.00	Y2-280M-2	64.5	250	3
	175.82	48.84	110.70		68.62	90.00	90KW	77.3		5
	210.99	58.61	99.92		75.69	90.00		75.9		6.4
EH100-65-250 C	99.59	27.66	110.99	3500	47.66	55.00	Y2-280S-2	63.2	236	2.9
	165.98	46.11	99.63		59.06	75.00	75KW	76.3		4.8
	199.17	55.33	89.87		64.86	75.00		75.2		6
EH100-65-250 D	93.68	26.02	99.05	3500	40.98	55.00	Y2-280S-2	61.7	222	2.8
	156.13	43.37	88.85		50.54	75.00	75KW	74.8		4.4
	187.36	52.04	79.88		55.11	75.00		74		5.5
EH125-80-200	143.38	39.83	94.39	3500	52.61	75.00	Y2-280M-2	70.1	228	3.6
	238.97	66.38	83.03		68.01	75.00	90KW	79.5		5.2
	286.76	79.66	72.76		74.51	90.00		76.3		9.1
EH125-80-200 A	136.46	37.91	84.63	3500	45.74	55.00	Y2-280S-2	68.8	217	3.6
	227.44	63.18	74.14		58.46	75.00	75KW	78.6		4.7
	272.92	75.81	64.60		63.80	75.00		75.3		7.7
EH125-80-200 B	128.92	35.81	75.89	3500	39.97	45.00	Y2-280S-2	66.7	205	3.6
	214.86	59.68	65.26		49.62	55.00	75KW	77		4.2
	257.83	71.62	56.44		53.59	75.00		74		6.3
EH125-80-200 C	122.00	33.89	67.00	3500	34.22	45.00	Y2-250M-2	65.1	194	3.6
	203.33	56.48	56.87		42.01	55.00	55KW	75		3.9
	244.00	67.78	48.65		44.80	55.00		72.2		5.4
EH125-80-200 D	114.45	31.79	58.18	3500	28.80	37.00	Y2-225M-2	63	182	3.6
	190.75	52.99	48.94		34.85	45.00	45KW	73		3.7
	228.90	63.58	41.95		36.91	45.00		70.9		4.8
EH125-80-250	156.41	43.45	146.53	3500	92.94	110.00	Y2-315L1-2	67.2	278	2.9
	260.69	72.41	134.15		118.83	132.00	160KW	80.2		5.3
	312.83	86.90	122.35		130.21	160.00		80.1		7.3
EH125-80-250 A	148.54	41.26	131.09	3500	79.08	90.00	Y2-315M-2	67.1	264	2.8
	247.56	68.77	119.88		100.96	110.00	132KW	80.1		5
	297.07	82.52	109.24		110.82	132.00		79.8		6.8
EH125-80-250 B	140.66	39.07	116.53	3500	67.47	75.00	Y2-315S-2	66.2	250	2.7
	234.43	65.12	106.48		85.67	110.00	110KW	79.4		4.7
	281.32	78.14	97.16		94.40	110.00		78.9		6.1
EH125-80-250 C	132.78	36.88	103.42	3500	58.11	75.00	Y2-280M-2	64.4	236	2.5
	221.30	61.47	94.39		72.51	90.00	90KW	78.5		4.2
	265.57	73.77	84.92		79.50	90.00		77.3		5.5



EH125-80-250 D	124.91	34.70	90.31	3500	49.26	55.00	Y2-280S-2 75KW	62.4	222	2.4
	208.18	57.83	81.86		61.10	75.00		76		3.9
	249.81	69.39	72.83		66.73	75.00	74.3	5		
EH125-100-200	198.12	55.03	94.53	3500	69.16	90.00	Y2-315S-2 110KW	73.8	228	3.9
	330.21	91.72	79.97		86.69	110.00		83		6.9
	396.25	110.07	64.82		92.33	110.00	75.8	11.2		
EH125-100-200 A	187.70	52.14	84.48	3500	59.36	75.00	Y2-280M-2 90KW	72.8	217	3.8
	312.83	86.90	70.70		73.77	90.00		81.7		6.2
	375.39	104.28	57.24		78.29	90.00	74.8	9.4		
EH125-100-200 B	177.27	49.24	74.58	3500	50.74	75.00	Y2-280S-2 75KW	71	205	3.8
	295.45	82.07	61.47		61.94	75.00		79.9		5.7
	354.54	98.48	49.09		65.23	75.00	72.7	8		
EH125-100-200 C	165.80	46.06	65.46	3500	43.11	55.00	Y2-280S-2 75KW	68.6	194	3.7
	276.33	76.76	53.31		51.27	75.00		78.3		5.1
	331.60	92.11	42.24		53.61	75.00	71.2	7		
EH125-100-200 D	152.06	42.24	56.37	3500	36.50	45.00	Y2-250M-2 55KW	64	182	3.7
	253.43	70.40	45.96		41.87	55.00		75.8		4.7
	304.12	84.48	36.12		43.39	55.00	69	5.9		
EH125-100-250	217.24	60.34	145.37	3500	121.21	160.00	Y2-315L2-2 200KW	71	278	3.6
	364.97	101.38	131.09		160.96	200.00		81		6.8
	434.48	120.69	116.53		179.41	200.00	76.9	9		
EH125-100-250 A	207.95	57.76	130.80	3500	104.40	132.00	Y2-315L2-2 200KW	71	264	3.4
	346.59	96.27	118.28		139.11	160.00		80.3		6.1
	415.90	115.53	104.58		155.14	200.00	76.4	8.3		
EH125-100-250 B	196.92	54.70	116.24	3500	88.98	110.00	Y2-315L1-2 160KW	70.1	250	3.3
	328.21	91.17	105.02		118.44	132.00		79.3		5.7
	393.85	109.40	93.22		131.99	160.00	75.8	7.7		
EH125-100-250 C	185.90	51.64	102.25	3500	75.29	90.00	Y2-315M-2 132KW	68.8	236	3.2
	309.83	86.06	91.77		99.58	110.00		77.8		5.1
	371.79	103.28	80.99		110.88	132.00	74	6.9		
EH125-100-250 D	174.87	48.57	88.85	3500	63.01	75.00	Y2-315S-2 110KW	67.2	222	3.1
	291.45	80.96	71.81		75.34	90.00		75.7		4.8
	349.74	97.15	69.63		92.42	110.00	71.8	6.2		