

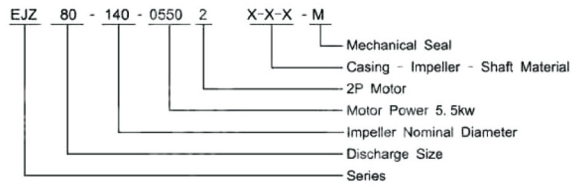
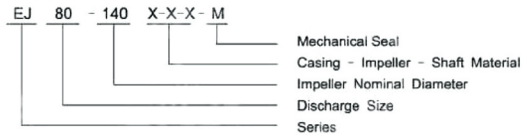


TRASH PUMPS

Description & Features

EIFEL EJ & EJZ series are self-priming, solids handling, resistant to abrasion. These pumps can handle liquids up to a viscosity of about 50 mm²/s. They are designed with the advanced device Maintenance Hole and Wear Plate, easy to clean and flush. EJ & EJZ pumps have wide applications in industry, marine and waste treatment.

Model Instruction:



Material Code

C: Cast Iron 45: ASTM 1045S
 Q: Ductile Iron 304: ASTM 304S
 B85: Bronze 316: ASTM 316
 S: ASTM 420 M: Mechanical Seal

Applications

- Waste Water Treatment Plant
- Wasing, Cooling, Circulation
- Smoke Scrubbing
- Marine – Ballasting & Bilge
- Liquid Transfer: clean or dirty water, mixed liquids, abrasive or corrosive liquids, low viscosity of petroleum products

Design & Structure

Design	Performance and Dimensions referring to the European standard
Structure	Semi-open impeller, Single-Suction, Self-priming, Maintenance Hole, Wear Plate
Flange	Pump casings are casted with flanges, Screw flange for discharge size <100 mm

Material

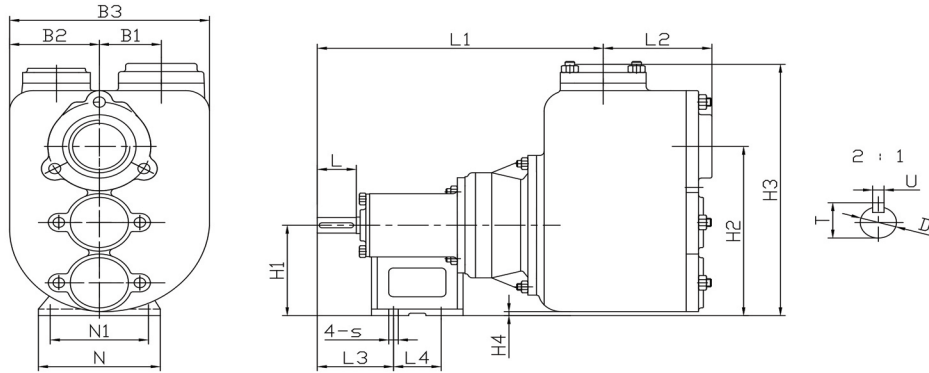
Part	Standard Material	Options on request
Casing	Cast Iron	Ductile Iron
Impeller	Ductile Iron	Bronze / ASTM304 / ASTM316
Wear Plate	Cast Iron	Bronze / ASTM304 / ASTM316
Shaft	ASTM1045	ASTM304 / ASTM316 / ASTM420
Shaft Seal	Mechanical Seal	-

Operating Data

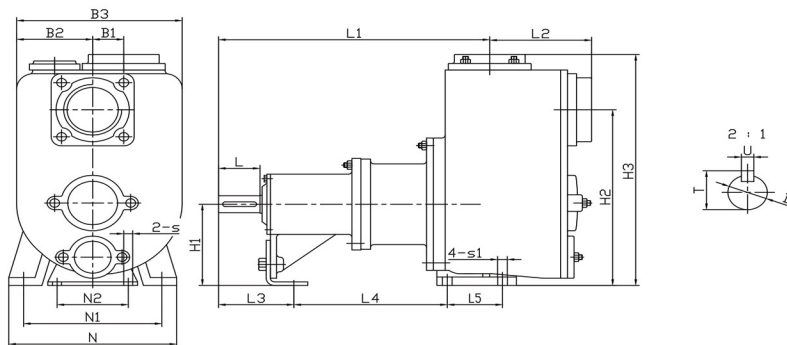
Items	EJ Series	EJZ Series
DN(mm)	40-200	40-100
Flow Rate(Q)	4-468m ³ /h	4-145m ³ /h
Head(H)	4-55m	4-40m
Max Solids Size	78mm	50mm
Self-priming Head	3-7m	
Speed	1450-3600 rpm; lower speed on request	
Max Temperature	80°C	
Conveying Medium	Neutral, acid or alkali clean or dirty liquids, containing sand, mud or solids in suspension	



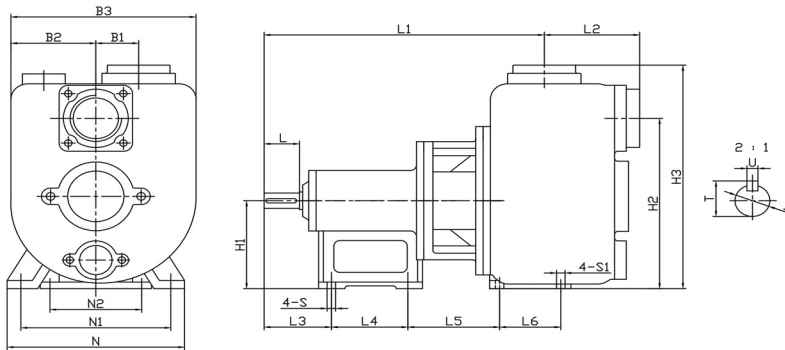
EJ Series Installation Dimensions



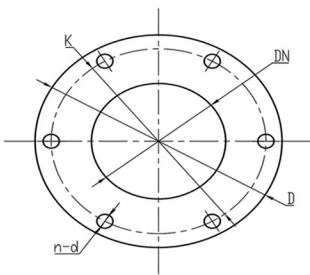
Model	Overall Dimensions					Installation Dimensions										Shaft			Weight
	B1	B2	B3	L1	L2	H1	H2	H3	H4	L	N1	N	L3	L4	s	T	U	D	kg
EJ40-110	30	80	173	263	75	90	163	240	-5	40	80	102	70	50	Φ10	21.5	6	Φ19	19
EJ50-120	36	94	210	300	114	110	206	306	5	41	103	128	80	50	Φ12	21.5	6	Φ19	31
EJ100-160	37	150	300	442	180	160	341	462	10	60	150	182	110	125	Φ14	31	8	Φ28	130



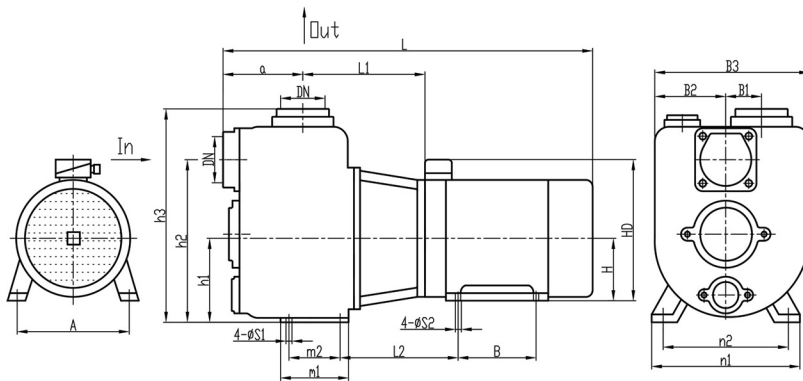
Model	Overall Dimensions					Installation Dimensions										Shaft			Weight		
	B1	B2	B3	L1	L2	H1	H2	H3	N2	N1	N	L	L3	L4	L5	s1	s	T	U	D	kg
EJ80-140	45	110	240	392	148	132	289	381	90	200	245	60	109	222	80	Φ14	Φ14	31	8	Φ28	55
EJ100-250	160	180	420	469	275	200	350	487	110	295	340	80	138	347	95	Φ14	Φ15	35	10	Φ32	148
EJ150-250	90	220	480	566	292	250	454	590	110	350	410	80	138	322	170	Φ18	Φ15	35	10	Φ32	261
EJ150-400	280	280	700	700	365	350	645	795	150	450	510	110	180	478	200	Φ18	Φ18	59	16	Φ55	445
EJ200-300	75	288	575	822	232	315	535	720	150	450	510	110	165	499	200	Φ18	Φ18	45	12	Φ42	395



	Overall Dimensions					Installation Dimensions										Shaft				Weight		
	B1	B2	B3	L1	L2	H1	H2	H3	N2	N1	N	L	L3	L4	L5	L6	s1	s	T	U	D	kg
EJ80-215	70	139	303	458	155	160	310	410	150	245	290	60	110	125	150	100	Φ14	Φ14	31	8	Φ28	75



Model	Suction Flange(mm)				Discharge Flange(mm)			
	DN	D	K	n-d	DN	D	K	n-d
EJ40-110	RP1 1/2	--	--	--	RP1 1/2	--	--	--
EJ50-120	RP2	--	--	--	RP2	--	--	--
EJ80-140	RP3	--	--	--	RP3	--	--	--
EJ80-215	RP3	--	--	--	RP3	--	--	--
EJ100-160	RP4	--	--	--	RP4	--	--	--
EJ100-250	RP4	--	--	--	RP4	--	--	--
EJ150-250	Φ150	Φ276	Φ240	6-Φ18	Φ150	Φ276	Φ240	6-Φ18
EJ150-400	Φ150	Φ276	Φ240	6-Φ18	Φ150	Φ276	Φ240	6-Φ18
EJ200-300	Φ200	Φ320	Φ280	8-Φ18	Φ200	Φ320	Φ280	8-Φ18

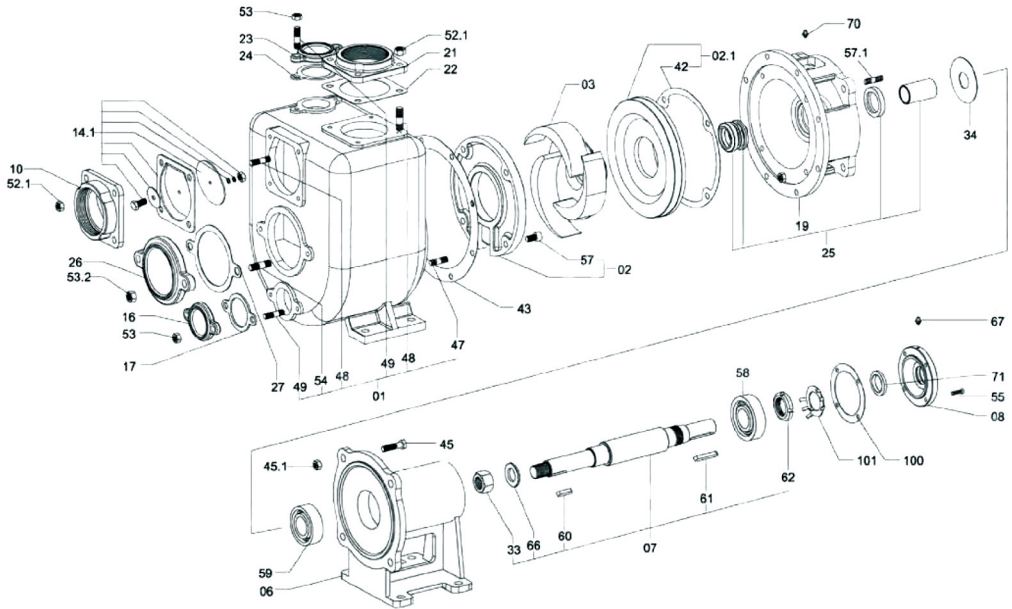


	Model	(H34)	(mm)																	(kg)							
			DN	B1	B2	B3	h1	h2	h3	m1	m2	n1	n2	a	L1	s1	s2	II	HD	A	B	L2	L	Pump	Motor	Total	
1	EJ240-110-02202	MS90L-2	2.2	1 1/2"	30	80	173	95	168	245	-	-	-	75	165	-	10	90	235	140	125	-	535	18	25	43	
2	EJ240-110-03002	MS100L-2	3	1 1/2"	30	80	173	95	168	245	-	-	-	75	173.5	-	10	100	255	160	160	-	575	19	43	62	
3	EJ250-120-04002	MS112M-2	4	2"	36	94	210	105	201	321	-	-	-	114	195	-	12	112	284	190	140	-	645	28	42	70	
4	EJ250-120-05502	MS132S1-2	5.5	2"	36	94	210	105	201	321	-	-	-	114	216	-	12	132	324	216	140	-	720	30	64	94	
5	EJ280-140-11002	MS160M1-2	11	3"	45	110	240	132	287	380	115	80	245	200	148	255.5	15	160	406	254	210	302	908	53	106	159	
6	EJ280-215-07504	MS132M-4	7.5	3"	70	139	303	160	310	410	133	100	290	245	156	268	14	12	132	324	216	178	284	854	70	77	147
7	EJ2100-250-15004	MS160L-4	15	4"	160	180	420	200	350	487	145	95	340	295	275	282	15	15	160	406	254	254	385.5	1098	140	126	266



EJ Series Explode View & List of Parts

Model: EJ80-215

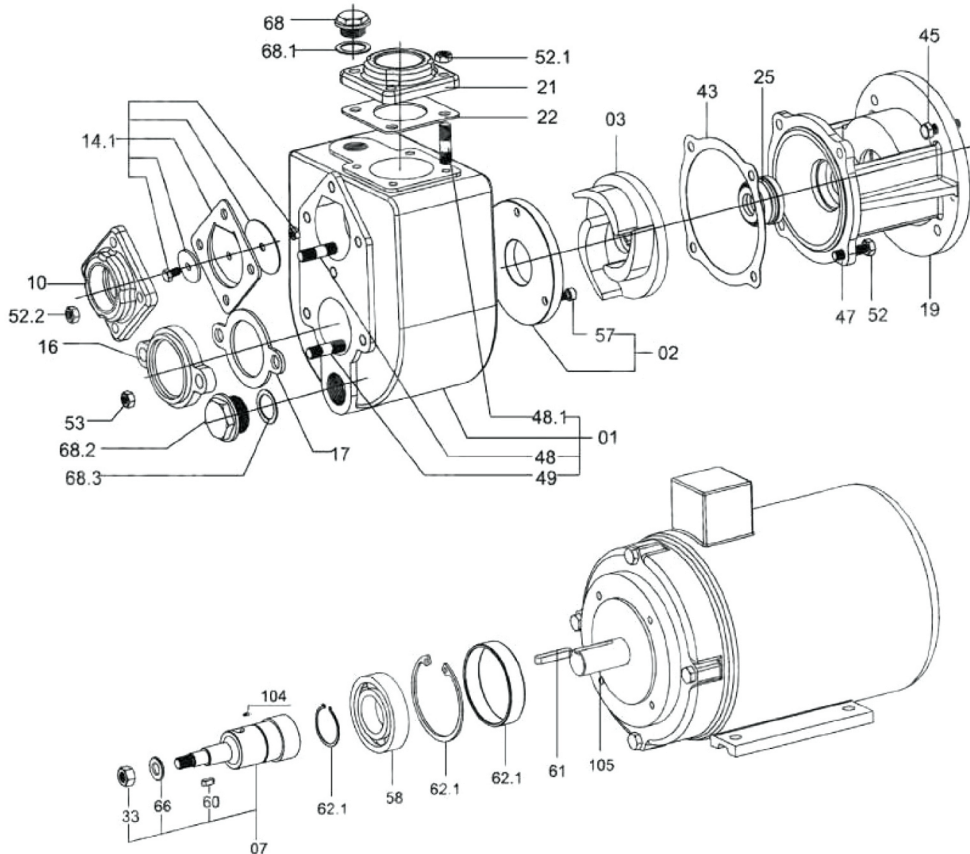


Code	Name	Code	Name	Code	Name
01	Casing	23	Inspection Cover	53.2	Nut
02	Wear Plate-Front	24	Inspection Cover Gasket	54	Stud
02.1	Wear Plate-Back		Shaft Sleeve	55	Bolt
03	Impeller	25	Oil Seal	57.1	Screw Bolt
06	Bearing Frame		Mechanical Seal	58	Ball Bearing
07	Shaft	26	Inspection Cover	59	Ball Bearing
08	Bearing Cover	27	Inspection Cover Gasket	60	Key (Impeller)
10	Suction Flange	33	Impeller Nut	61	Key (Shaft)
	Rubber Check	34	Water Deflector	62	Bearing Lock Nut
	Front Plate - Check Valve	42	Back Wear Plate Gasket	66	Flat Washer
14.1	Back Plate - Check Valve	43	Casing Gasket	67	Grease Cup
	Bolt	45	Bolt	70	Grease Cup
	Nut	45.1	Nut	71	Lip Seal
16	Inspection Cover	47	Stud	100	Bearing Cover Gasket
17	Inspection Cover Gasket	48	Stud	101	Bearing Lock Nut Washer
19	Pump Cover	49	Stud		
21	Discharge Flange	52.1	Nut		
22	Discharge Gasket	53	Nut		



EJZ Series Explode View & List of Parts

Model: EJZ50-120-02202



Code	Part Name
01	Casing
02	Wear Plate
03	Impeller
07	Shaft
10	Suction Flange
14.1	Rubber Check
	Check Valve Plate (Front)
	Check Valve Plate (Back)
	Screw Bolt
	Screw Nut
16	Inspection Cover
17	Inspection Cover Gasket
19	Adapter

Code	Part Name
21	Discharge Flange
22	Discharge Gasket
23	Inspection Cover
24	Inspection Cover Gasket
25	Mech. Seal
26	Inspection Cover
27	Inspection Cover Gasket
33	Impeller Nut
43	Casing Cover Gasket
45	Screw Bolt
47	Double-screw Stud
48	Double-screw Stud
48.1	Double-screw Stud
49	Double-screw Stud

Code	Part Name
52	Screw Nut
53	Screw Nut
57	Bolt & Nut
58	Ball Bearing
60	Key
61	Key
62.1	External Circlip
	Rubber Pad
	Internal Circlip
66	Flat Washer
68	Plug Screw
68.1	O-ring
68.2	Plug Screw
68.3	O-ring
104	Set Screw
105	Motor



EJ 50HZ

MODEL	Inlet & Outlet Dia.		SOLID mm	FLOW m ³ /h	HEAD m	SPEED rpm	POWER kw
	mm	in					
EJ40-110	40	1 1/2"	20	5	15	2900	1.1
				14	11		
				22	6		
EJ50-120	50	2"	25	10	16	2900	2.2
				25	11		
				37	6		
EJ80-140	80	3"	28	20	22	2900	5.5
				43	18		
				70	10		
EJ80-215	80	3"	40	25	13	1450	4
				43	11		
				70	6		
EJ100-160	100	4"	45	35	28	2900	18.5
				100	23		
				130	18		
EJ100-160A	100	4"	45	45	24	2900	15
				90	21		
				130	14		
EJ100-250	100	4"	50	40	19	1450	7.5
				90	15		
				130	10		
EJ150-250	150	6"	76	100	13	1450	11
				170	11		
				230	8		
EJ150-400	150	6"	50	120	38	1450	45
				200	36		
				310	30		
EJ200-300	200	8"	60	120	19	1450	22
				300	14		
				420	8		



EJ 60HZ

MODEL	Inlet & Outlet Dia.		SOLID mm	FLOW m ³ /h	HEAD m	SPEED rpm	POWER kw
	mm	in					
EJ40-110	40	1 1/2"	20	6	21	3500	2.2
				18	15		
				25	8		
EJ50-120	50	2"	25	12	23	3500	4
				30	15		
				40	9		
EJ80-140	80	3"	28	24	31	3500	11
				50	26		
				80	14		
EJ80-215	80	3"	40	30	18	1750	7.5
				50	16		
				80	9		
EJ100-250	100	4"	50	50	27	1750	15
				110	21		
				160	14		
EJ150-250	150	6"	76	110	19	1750	18.5
				200	16		
				270	11		
EJ150-400	150	6"	50	140	55	1750	90
				240	52		
				370	43		
EJ200-300	200	8"	60	140	27	1750	37
				360	20		
				500	11		



EJ/EJZ Series Performance

