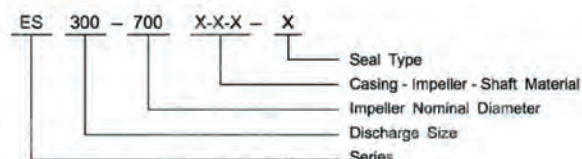




Description & Features

EIFEL ES series split casing pumps are designed with double suctions. This kind of pumps are of high flow rate, high efficiency, stable operation, low noise and long service life, easy to install and maintain. Widely used in plant, mine, city water supply, irrigation, HVAC and vessel industry.

Model Instruction:



Material Code

C: Cast Iron	S304: ASTM 304
Q: Ductile Iron	S316: ASTM 316
B: Brass	Seal Type:
S: ASTM 420	M: Mechanical Seal
45: ASTM 1045	P: Gland Packing

Design & Structure

Design	Performance referring to GB/T5667-95, Q/ FZEF 001-2014 Standard
Structure	Single-Stage, Double-Suction, Split-Casing
DN (mm)	80-400
Flange	DIN2501 PN16 GB / T17241.6 PN16

Material

Part	Standard Material	Options on request
Casing	Cast Iron	Ductile Iron
Impeller	Brass	Cast Iron
Shaft	ASTM1045	ASTM304 / ASTM316 / ASTM420
Shaft Seal	Mechanical Seal	Gland Packing

Applications

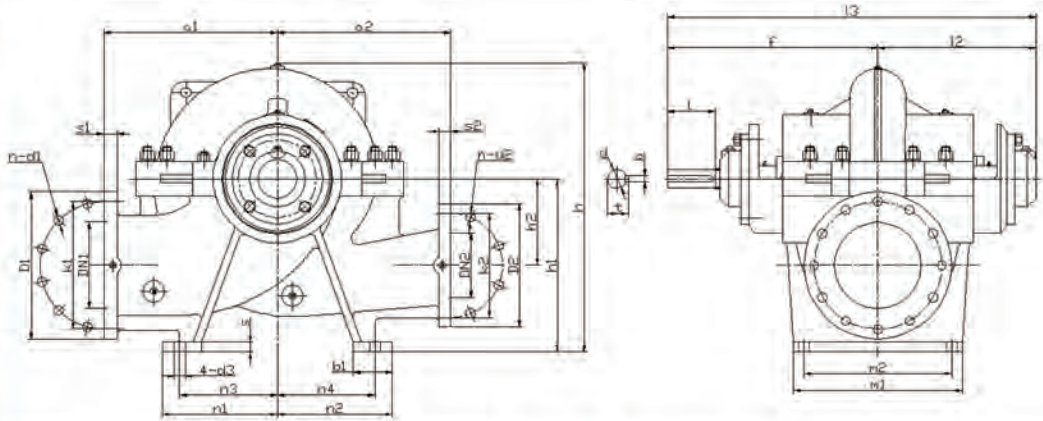
- HVAC and Cooling Tower
- Municipal Water Supply
- Pump Station
- Marine and Ship Building
- Power Plant / Water Plant
- Industrial water supply system
- Fire Fighting System

Operating Data

Flow Rate(Q)	36-3400m ³ /h
Head(H)	8-190 m
Speed	1480 or 2980 rpm (50Hz) / 1780 or 3580 rpm (60Hz)
Max. Temperature	85°C(standard) ; 105°C(on request)
Working Pressure	1.6MPa(standard) ; 2.5MPa(on request)
Conveying Medium	Clean water or liquids similar to clean water in physical property



ES Series Installation Dimensions



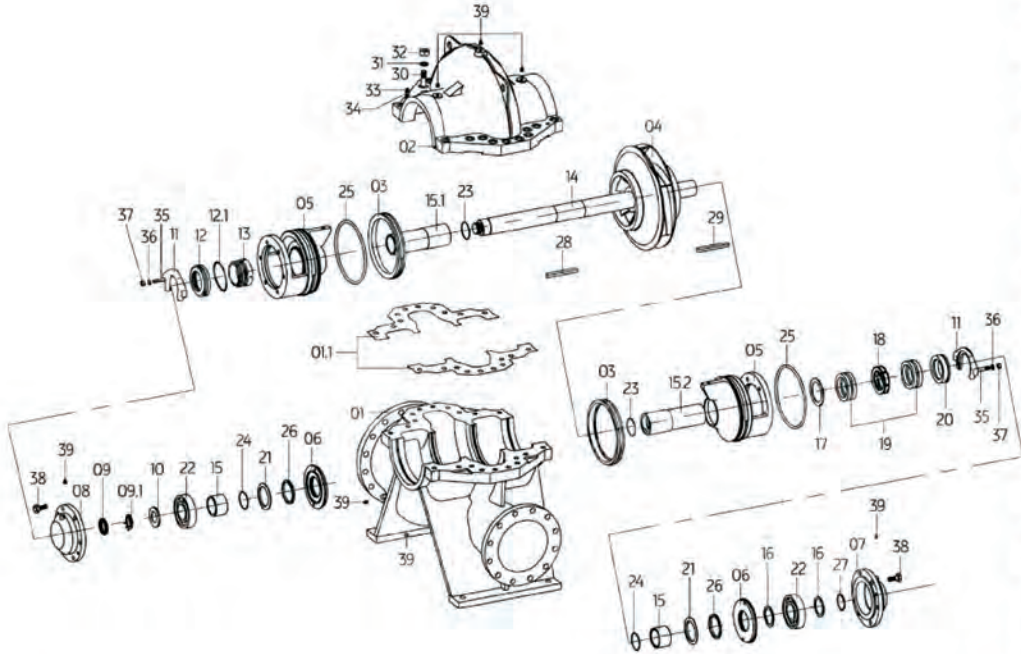
Flange Dimensions (ISO7005.2 DIN2501 PN16 GB/T17241.6PN1.6)

DN1/DN2	80	100	125	150	200	250	300	350	400	450	500	600
K1/K2	160	180	210	240	295	355	410	470	525	585	650	770
D1/D2	200	220	250	285	340	405	460	520	580	640	715	840
S1/S2	22	24	26	26	30	32	34	38	40	40	46	54
n-d1/n-d2	8-φ17.5	8-φ17.5	8-φ17.5	8-φ22	12-φ22	12-φ26	12-φ26	16-φ26	16-φ30	20-φ30	20-φ33	20-φ36

Model	Flange		Pump Dimensions								Foot								Shaft				Weight kg	
	DN1	DN2	a1	a2	f	l2	l3	h	h1	h2	m1	m2	n1	n2	n3	n4	b1	d3	s	d	b	l		t
ES80-210	125	80	300	300	385	300	685	490	315	140	320	270	205	205	170	170	80	φ25	22	φ34	10	80	37.3	179
ES80-270	125	80	300	300	385	300	685	528	315	140	320	270	205	205	170	170	80	φ25	22	φ34	10	80	37.3	209
ES80-370	125	80	330	330	385	300	685	558	315	140	320	270	205	205	170	170	75	φ25	22	φ34	10	80	37.3	209
ES100-250	150	100	330	330	385	300	685	570	355	170	320	270	235	235	200	200	80	φ25	22	φ34	10	80	37.3	209
ES100-310	150	100	330	330	385	300	685	605	355	170	320	270	235	235	200	200	80	φ25	22	φ34	10	80	37.3	257
ES100-375	150	100	370	370	385	300	685	620	355	170	320	270	235	235	200	200	75	φ25	22	φ34	10	80	37.3	245
ES125-230	200	125	370	370	485	365	850	620	400	200	390	340	265	265	225	225	90	φ25	22	φ44	12	110	47.3	309
ES125-290	200	125	370	370	485	365	850	635	400	200	390	340	265	265	225	225	90	φ25	22	φ44	12	110	47.3	293
ES125-365	200	125	370	370	485	365	850	665	400	200	390	340	265	265	225	225	90	φ25	22	φ44	12	110	47.3	311
ES125-500	200	125	450	450	485	365	850	720	400	200	390	340	320	320	280	280	85	φ25	26	φ44	12	110	47.3	414
ES150-290	200	150	400	400	485	365	850	660	400	210	390	340	265	265	225	225	90	φ25	22	φ44	12	110	47.3	323
ES150-360	200	150	400	400	485	365	850	670	400	200	390	340	265	265	225	225	90	φ25	22	φ44	12	110	47.3	350
ES150-460	200	150	450	450	540	420	960	710	400	200	480	430	315	315	280	280	75	φ25	25	φ54	16	110	58.3	418
ES150-605	200	150	600	500	540	420	960	885	500	300	480	430	390	390	350	350	95	φ30	35	φ54	16	110	58.3	755
ES200-250	250	200	450	450	540	420	960	793	500	240	480	430	315	315	280	280	85	φ25	25	φ54	16	110	58.3	450
ES200-320	250	200	450	450	540	420	960	805	500	240	480	430	315	315	280	280	85	φ25	25	φ54	16	110	58.3	506
ES200-420	250	200	500	500	540	420	960	830	500	240	480	430	330	330	280	280	100	φ25	25	φ54	16	110	58.3	551
ES200-520	250	200	600	500	629	479	1108	925	560	300	490	430	400	400	350	350	100	φ28	28	φ64	18	145	68.4	700
ES200-670	250	200	650	550	629	479	1108	1055	600	350	500	400	400	400	350	350	110	φ30	35	φ64	18	145	68.4	1218
ES250-280	300	250	500	500	629	479	1108	955	600	300	480	400	400	400	350	350	100	φ30	28	φ64	18	145	68.4	550
ES250-370	300	250	500	500	629	479	1108	975	600	300	480	400	400	400	350	350	100	φ30	28	φ64	18	145	68.4	719
ES250-480	300	250	550	550	695	515	1210	985	600	330	600	520	400	400	350	350	100	φ30	32	φ74	20	170	78.9	906
ES250-600	300	250	650	550	695	515	1210	1060	630	350	600	520	400	400	350	350	110	φ30	35	φ74	20	170	78.9	1116
ES300-300	350	300	550	500	629	479	1108	1010	630	300	500	400	400	400	350	350	100	φ30	30	φ64	18	145	68.4	792
ES300-435	400	300	650	550	695	515	1210	1072	670	333	600	520	400	400	350	350	100	φ30	32	φ74	20	170	78.9	947
ES300-560	400	300	700	650	785	605	1390	1140	710	350	620	520	525	525	475	475	110	φ30	35	φ84	22	180	89.4	1301
ES300-700	400	300	750	650	785	605	1390	1255	750	400	620	520	530	530	475	475	120	φ30	40	φ84	22	180	89.4	1640
ES350-360	400	350	650	550	695	515	1210	1100	670	350	600	520	400	400	350	350	100	φ30	32	φ74	20	170	78.9	1077
ES350-430	450	350	750	650	785	605	1390	1200	750	400	600	520	530	530	475	475	120	φ30	35	φ84	22	180	89.4	1445
ES350-510	400	350	700	650	785	605	1390	1200	750	400	620	520	525	525	475	475	110	φ30	40	φ84	22	180	89.4	1456
ES350-575	400	350	750	750	853	667	1520	1400	900	420	780	630	560	560	485	485	150	φ35	35	φ95	25	210	100.4	1900



ES Series Explode View & List of Parts



Code	Part Name
01	Casing-Bottom
01.1	Casing Gasket
02	Casing-Top
03	Wear Ring
04	Impeller
05	Seal Frame
06	Bearing Cover
07	Bearing Frame-Driving End
08	Bearing Frame-Non-driving End
09	Screw Nut
09.1	Lock Washer for Nut
10	Bearing Slinger
11	Seal Plate
12	Seal Cover
12.1	Seal Cover Gasket

Code	Part Name
13	Mech. Seal
14	Shaft
15	Shaft Sleeve-Short
15.1	Shaft Sleeve
15.2	Packing Shaft Sleeve
16	Bearing Seal Plate
17	Packing Seal Plate
18	Lantern Ring
19	Gland
20	Packing Cover
21	Slinger
22	Ball Bearing
23	O-ring
24	O-ring
25	O-ring

Code	Part Name
26	Felting
27	External Clips
28	Key
29	Key
30	Screw Bolt
31	Spring Washer
32	Screw Nut
33	Pin
34	Screw Nut
35	Screw Bolt
36	Flat Gasket
37	Screw Nut
38	Screw Bolt
39	Plug



50 Hz

ES	Capacity		Head	Speed	Power(kw)		Eff	Impeller Dia.	(NPSH) _r
	m ³ /h	L/s			m	r/min			
ES80-210	148	41	71	2980	38.7	75	74	220	2.6
	252	70	62		51.5		82		6
	303	84	54		56.3		80		8.2
ES80-210A	138	38	62	2980	32.2	55	72	205	2.6
	234	65	53		42.0		81		6
	283	79	46		45.0		78		8.2
ES80-210B	128	35	52	2980	26.0	45	69	190	2.6
	217	60	43		32.7		78		6
	262	73	36		35.0		74		8.2
ES80-210C	118	33	43	2980	20.9	30	66	175	2.6
	200	56	34		24.5		76		6
	241	67	28		26.2		70		8.2
ES80-270	178	49	109	2980	71.9	132	73	265	3.5
	292	81	97		95.5		81		10
	355	99	84		106.2		77		15
ES80-270A	164	46	92	2980	56.9	110	72	245	3.5
	270	75	80		76.7		77		10
	328	91	68		85.0		72		15
ES80-270B	151	42	77	2980	45.8	75	69	225	3.5
	248	69	64		59.5		73		10
	302	84	54		65.8		67		15
ES80-270C	137	38	62	2980	35.0	55	66	205	3.5
	226	63	51		44.6		70		10
	275	76	41		47.4		64		15
ES80-370	174	48	171	2980	119.3	250	68	330	3.5
	290	81	158		166.6		75		10
	348	97	146		191.6		72		15
ES80-370A	163	45	149	2980	99.2	200	67	310	3.5
	272	76	137		137.0		74		10
	327	91	124		155.6		71		15
ES80-370B	150	42	127	2980	79.0	132	66	285	3.5
	250	70	114		106.9		73		10
	300	83	101		118.6		70		15
ES80-370C	137	38	105	2980	60.6	110	65	260	3.5
	228	63	89		77.1		72		10
	274	76	77		84.6		68		15
ES100-250	207	58	93	2980	73.2	110	72	254	3
	340	95	82		93.8		81		7
	407	113	70		101.0		77		12
ES100-250A	192	53	78	2980	56.9	90	72	236	3
	316	88	68		72.8		80		7
	378	105	58		78.0		77		12
ES100-250B	179	50	67	2980	45.7	75	71	219	3
	293	82	57		57.3		79		7
	351	97	49		61.1		76		12
ES100-250C	164	46	56	2980	35.3	55	71	201	3
	269	75	46		43.7		78		7
	322	89	40		46.4		75		12
ES100-310	261	72	156	2980	151.6	250	73	320	3.2
	407	113	144		199.5		80		7
	245	68	139		129.2		72		3
ES100-310A	409	114	126	2980	175.1	250	80	301	7
	491	136	116		195.6		79		10



ES100-310B	227	63	118	2980	103.8	200	70	278	3
	378	105	108		142.3		78		7
	453	126	99		158.7		77		10
ES100-310C	207	58	99	2980	83.0	160	67	254	3
	345	96	88		108.4		76		7
	414	115	79		120.6		74		10
ES125-230	333	93	82	2980	102.4	160	73	245	7
	551	153	70		125.3		84		7.8
	660	183	62		140.2		79		9.4
ES125-230A	310	86	70	2980	84.2	132	70	228	7
	513	142	57		96.7		82		7.8
	614	171	49		103.0		79		9.4
ES125-230B	286	79	55	2980	64.1	90	67	210	7
	472	131	45		71.7		80		7.8
	565	157	37		74.8		76		9.4
ES125-230C	263	73	45	2980	49.9	75	64	193	7
	434	121	33		51.7		76		7.8
	520	144	26		51.0		72		9.4
ES125-290	341	95	130	2980	156.4	250	77	298	6.2
	565	157	114		208.2		84		7.5
	681	189	101		229.5		82		9.8
ES125-290A	316	88	107	2980	122.7	200	75	276	6.2
	524	145	90		157.3		82		7.5
	631	175	79		169.9		80		9.8
ES125-290B	290	81	87	2980	94.5	160	73	254	6.2
	482	134	73		119.1		80		7.5
	581	161	61		123.4		78		9.8
ES125-290C	265	74	72	2980	74.1	110	70	232	6.2
	440	122	57		87.3		78		7.5
	530	147	46		89.5		74		9.8
ES125-365A	396	110	189	2980	271.9	450	75	365	3.3
	662	184	165		363.2		82		3.8
	792	220	154		410.3		81		4.8
ES125-365B	358	99	146	2980	197.7	315	72	321	3.3
	597	166	122		250.3		79		3.8
	716	199	105		270.6		76		4.8
ES125-365C	322	90	118	2980	149.6	250	69	289	3.3
	537	149	95		183.5		76		3.8
	645	179	81		197.8		72		4.8
ES150-290	522	145	105	2980	197.2	315	76	280	6.5
	870	242	92		249.6		87		12
	1044	290	79		267.7		84		14.5
ES150-290A	492	137	93	2980	164.5	250	76	264	6.5
	820	228	80		208.6		86		12
	984	273	70		225.3		83		14.5
ES150-290B	453	126	78	2980	134.1	200	72	243	6.5
	755	210	66		160.8		84		12
	906	252	55		166.8		81		14.5
ES150-290C	423	118	66	2980	112.0	160	68	227	6.5
	705	196	53		126.6		80		12
	846	235	43		127.5		77		14.5
ESS80-210	72	20	16.8	1450	4.5	7.5	74	220	1.9
	122	34	14.6		5.9		82		2.4
	148	41	12.9		6.5		80		2.9



ES80-210A	67	19	14.6	1450	3.7	7.5	72	205	1.9
	114	32	12.6		4.8		81		2.4
	138	38	10.8		5.2		78		2.9
ES80-210B	62	17	12.2	1450	3.0	5.5	69	190	1.9
	106	29	10.2		3.8		78		2.4
	127	35	8.6		4.0		74		2.9
ES80-210C	57	16	10.2	1450	2.4	4	66	175	1.9
	97	27	8.1		2.8		76		2.4
	117	33	6.6		3.0		70		2.9
ES80-270	86	24	25.7	1450	8.3	15	73	265	2
	142	40	23		11.0		81		2.6
	173	48	20		12.2		77		3.3
ES80-270A	80	22	21.7	1450	6.6	11	72	245	2
	131	37	19		8.8		77		2.6
	160	44	16.2		9.8		72		3.3
ES80-270B	73	20	18.2	1450	5.3	11	69	225	2
	121	34	15.2		6.9		73		2.6
	147	41	12.7		7.6		67		3.3
ES80-270C	67	19	14.6	1450	4.0	7.5	66	205	2
	110	31	12		5.1		70		2.6
	134	37	9.6		5.5		64		3.3
ES80-370	86	24	42.2	1480	14.6	30	68	330	2
	144	40	39		20.4		75		2.6
	173	48	35.9		23.5		72		3.3
ES80-370A	81	23	36.8	1480	12.1	22	67	310	2
	135	38	33.7		16.8		74		2.6
	162	45	30.6		19.1		71		3.3
ES80-370B	75	21	31.4	1480	9.7	18.5	66	285	2
	124	35	28.2		13.1		73		2.6
	149	41	25		14.5		70		3.3
ES80-370C	68	19	26	1480	7.4	15	65	260	2
	113	32	22		9.4		72		2.6
	136	38	19		10.4		68		3.3
ES100-250	101	28	22.1	1450	8.4	15	72	254	1.3
	166	46	19.4		10.8		81		2.1
	198	55	16.6		11.6		77		3
ES100-250A	94	26	18.5	1450	6.6	11	72	236	1.3
	154	43	16		8.4		80		2.1
	184	51	13.8		9.0		77		3
ES100-250B	87	24	15.8	1450	5.3	11	71	219	1.3
	143	40	13.4		6.6		79		2.1
	171	47	11.5		7.0		76		3
ES100-250C	80	22	13.3	1450	4.1	7.5	71	201	1.3
	131	36	11		5.0		78		2.1
	157	44	9.4		5.4		75		3
ES100-310	130	36	38.4	1480	18.6	37	73	320	1.9
	216	60	34.9		25.4		81		2.5
	259	72	31.5		28.2		79		3.2
ES100-310A	122	34	34.3	1480	15.8	30	72	301	1.9
	203	56	31		21.5		80		2.5
	244	68	28.5		24.0		79		3.2
ES100-310B	113	31	29	1480	12.7	22	70	278	1.9
	188	52	26.6		17.4		78		2.5
	225	63	24.4		19.4		77		3.2



ES100-310C	103	29	24.3	1480	10.2	18.5	67	254	1.9
	171	48	21.6		13.3		76		2.5
	206	57	19.5		14.8		74		3.2
ES100-375	115	32	62.4	1480	29.7	55	66	408	1.9
	191	53	56.5		39.2		75		2.3
	230	64	50.5		44.0		72		3
ES100-375A	108	30	53.3	1480	24.1	45	65	382	1.9
	179	50	47.7		31.8		73		2.3
	216	60	41		34.4		70		3
ES100-375B	100	28	45.2	1480	19.3	37	64	355	1.9
	166	46	40.5		25.8		71		2.3
	200	56	34		28.1		66		3
ES100-375C	92	25	38	1480	15.6	30	61	325	1.9
	152	42	33.2		19.9		69		2.3
	184	51	27		22.1		61		3
ES125-230	166	46	20.3	1480	12.5	22	73	245	1.6
	274	76	17.3		15.4		84		1.8
	328	91	15.2		17.2		79		2.6
ES125-230A	154	43	17.2	1480	10.3	15	70	228	1.6
	255	71	14		11.8		82		1.8
	305	85	12		12.6		79		2.6
ES125-230B	142	39	13.6	1480	7.9	11	67	210	1.6
	235	65	11		8.8		80		1.8
	281	78	9.1		9.2		76		2.6
ES125-230C	130	36	11	1480	6.1	7.5	64	193	1.6
	216	60	8.2		6.3		76		1.8
	258	72	6.4		6.3		72		2.6
ES125-290	169	47	32	1480	19.2	37	77	298	1.2
	281	78	28		25.5		84		1.8
	338	94	25		28.1		82		2.8
ES125-290A	157	44	26.4	1480	15.0	30	75	276	1.2
	260	72	22.3		19.3		82		1.8
	313	87	19.5		20.8		80		2.8
ES125-290B	144	40	21.5	1480	11.6	18.5	73	254	1.2
	239	66	17.9		14.6		80		1.8
	288	80	15		15.1		78		2.8
ES125-290C	132	37	17.7	1480	9.1	15	70	232	1.2
	219	61	14		10.7		78		1.8
	263	73	11.3		11.0		74		2.8
ES125-365	216	60	56.6	1480	42.7	75	78	390	3
	360	100	50.2		57.9		85		3.8
	432	120	45		64.6		82		5.7
ES125-365A	196	54	44	1480	31.3	55	75	353	3
	326	91	38.6		41.8		82		3.8
	391	109	34		45.9		79		5.7
ES125-365B	178	49	36	1480	24.2	45	72	321	3
	296	82	30		30.7		79		3.8
	356	99	26		33.1		76		5.7
ES125-365C	160	44	29	1480	18.3	30	69	289	3
	267	74	23.5		22.5		76		3.8
	320	89	20		24.2		72		5.7
ES125-500	194	54	84	1480	59.3	110	75	475	1.6
	324	90	77		82.9		82		2.3
	389	108	71		95.2		79		3.8



ES125-500A	173	48	73	1480	47.1	90	73	443	1.6
	288	80	67		65.7		80		2.3
	346	96	61		74.6		77		3.8
ES125-500B	151	42	62.5	1480	36.3	75	71	412	1.6
	252	70	56.5		49.7		78		2.3
	302	84	51.5		56.6		75		3.8
ES125-500C	130	36	53	1480	27.1	55	69	381	1.6
	216	60	48		37.2		76		2.3
	259	72	43		41.6		73		3.8
ES150-290	259	72	26	1480	24.2	37	76	280	2
	432	120	22.6		30.6		87		2.7
	518	144	19.5		32.8		84		4.5
ES150-290A	244	68	23	1480	20.2	37	76	264	2
	407	113	19.8		25.6		86		2.7
	489	136	17.2		27.6		83		4.5
ES150-290B	225	62	19.3	1480	16.4	30	72	243	2
	375	104	16.2		19.7		84		2.7
	450	125	13.5		20.4		81		4.5
ES150-290C	210	58	16.3	1480	13.7	22	68	227	2
	350	97	13		15.5		80		2.7
	420	117	10.5		15.6		77		4.5
ES150-360	270	75	44.8	1480	41.7	75	79	355	2
	450	125	38.6		55.0		86		2.5
	540	150	33		59.2		82		3.5
ES150-360A	247	69	37	1480	32.4	55	77	325	2
	412	114	31		41.9		83		2.5
	494	137	26.5		44.6		80		3.5
ES150-360B	227	63	31	1480	25.5	45	75	298	2
	378	105	25.3		32.1		81		2.5
	453	126	21		33.3		78		3.5
ES150-360C	208	58	26	1480	20.5	30	72	274	2
	347	96	20.3		24.6		78		2.5
	417	116	16		24.6		74		3.5
ES150-460	310	86	74	1480	81.1	160	77	452	2.6
	515	143	66.5		111.0		84		3.2
	619	172	59		122.9		81		6
ES150-460A	285	79	62.5	1480	64.7	110	75	416	2.6
	474	132	55		85.5		83		3.2
	570	158	49		96.3		79		6
ES150-460B	259	72	52	1480	50.3	90	73	378	2.6
	431	120	45		65.2		81		3.2
	518	144	38		69.6		77		6
ES150-460C	233	65	42	1480	37.5	75	71	340	2.6
	387	108	36		47.5		80		3.2
	466	129	30		50.8		75		6
ES150-605	346	96	117	1480	148.9	250	74	560	3
	576	160	105		203.5		81		3.8
	691	192	96		228.9		79		6
ES150-605A	323	90	102	1480	124.6	200	72	523	3
	538	149	90		164.9		80		3.8
	646	179	82		187.3		77		6
ES150-605B	300	83	87	1480	100.1	200	71	486	3
	500	139	77		134.5		78		3.8
	600	167	68		150.2		74		6



ES150-605C	277	77	73	1480	81.1	160	68	449	3
	462	128	62		102.7		76		3.8
	540	150	55		115.6		70		6
ES200-250	389	108	26	1480	34.4	55	80	281	2.1
	648	180	21		42.6		87		3.1
	778	216	18		45.4		84		4.5
ES200-250A	367	102	22	1480	29.3	45	75	265	2.1
	611	170	17		34.1		83		3.1
	733	204	14.5		36.2		80		4.5
ES200-250B	342	95	18.8	1480	25.0	37	70	247	2.1
	570	158	14		27.5		79		3.1
	684	190	11		27.7		74		4.5
ES200-250C	318	88	15.5	1480	19.8	22	68	230	2.1
	530	147	10.4		20.3		74		3.1
	636	177	7.2		20.5		61		4.5
ES200-320	396	110	38	1480	53.3	75	77	338	3
	659	183	32		66.0		87		3.4
	792	220	26		68.4		82		4.2
ES200-320A	368	102	31.4	1480	40.9	75	77	314	3
	612	170	25.4		50.4		84		3.4
	736	204	20.4		51.8		79		4.2
ES200-320B	340	94	26	1480	33.4	45	72	290	3
	565	157	20		39.0		79		3.4
	680	189	15		36.5		76		4.2
ES200-320C	312	87	21	1480	25.8	30	69	266	3
	518	144	15.2		28.3		76		3.4
	623	173	11		25.9		72		4.2
ES200-420	421	117	62	1480	90.1	160	79	415	3
	702	195	54		118.7		87		3.8
	842	234	47		131.6		82		5.6
ES200-420A	386	107	51	1480	68.7	110	78	380	3
	643	179	43		89.7		84		3.8
	771	214	37		97.2		80		5.6
ES200-420B	355	99	42.5	1480	54.8	90	75	350	3
	592	164	36		71.7		81		3.8
	710	197	29		72.0		78		5.6
ES200-420C	325	90	35	1480	43.0	75	72	320	3
	541	150	27.5		52.0		78		3.8
	650	180	22.5		53.8		74		5.6
ES200-520	490	136	106	1480	183.6	315	77	530	2.2
	814	226	93		248.4		83		4.2
	976	271	83		282.9		78		7
ES200-520A	449	125	87	1480	138.2	250	77	486	2.2
	746	207	78		195.8		81		4.2
	895	249	68		212.5		78		7
ES200-520B	408	113	71	1480	105.3	200	75	442	2.2
	679	188	61		142.8		79		4.2
	814	226	53		152.6		77		7
ES200-520C	368	102	56	1480	76.9	132	73	398	2.2
	611	170	47		100.3		78		4.2
	733	204	39		103.8		75		7
ES200-670	475	132	163	1480	289.1	500	73	655	2.5
	792	220	150		399.6		81		3.2
	936	260	140		457.8		78		4.6



ES200-670A	443	123	140	1480	234.9	400	72	611	2.5
	739	205	127		319.6		80		3.2
	873	243	116		358.4		77		4.6
ES200-670B	412	114	120	1480	189.8	315	71	568	2.5
	687	191	107		256.7		78		3.2
	812	225	98		285.2		76		4.6
ES200-670C	381	106	102	1480	153.4	250	69	525	2.5
	635	176	90		204.8		76		3.2
	750	208	82		226.5		74		4.6
ES250-370	637	177	47	1480	107.4	160	76	369	3.1
	1062	295	39.4		129.6		88		3.8
	1274	354	30.5		126.1		84		5
ES250-370A	587	163	40.5	1480	88.8	132	73	340	3.1
	979	272	33		103.5		85		3.8
	1174	326	28		110.6		81		5
ES250-370B	535	149	34	1480	70.8	110	70	310	3.1
	892	248	27		80.0		82		3.8
	1071	297	22.8		85.3		78		5
ES250-370C	480	133	27.4	1480	54.3	75	66	278	3.1
	800	222	21.6		60.4		78		3.8
	960	267	18		62.8		75		5
ES250-480	734	204	78	1480	197.6	315	79	470	3.1
	1224	340	68		257.7		88		4.2
	1469	408	61		287.2		85		6.1
ES250-480A	684	190	67.5	1480	161.4	250	78	438	3.1
	1141	317	58		209.6		86		4.2
	1369	380	52		233.7		83		6.1
ES250-480B	630	175	58	1480	130.9	200	76	403	3.1
	1050	292	49		166.8		84		4.2
	1259	350	43		184.5		80		6.1
ES250-480C	577	160	48	1480	103.3	160	73	369	3.1
	961	267	42		135.8		81		4.2
	1153	320	36		145.0		78		6.1
ES250-600	778	216	134	1480	364.0	630	78	610	2.2
	1296	360	121		496.9		86		4.7
	1555	432	108		558.1		82		7
ES250-600A	724	201	118	1480	306.3	500	76	568	2.2
	1207	335	106		410.1		85		4.7
	1448	402	95		451.6		83		7
ES250-600B	663	184	99	1480	241.6	400	74	520	2.2
	1105	307	88		315.4		84		4.7
	1326	368	78		343.6		82		7
ES250-600C	606	168	81	1480	185.6	315	72	475	2.2
	1009	280	70		234.7		82		4.7
	1211	336	60		247.5		80		7
ES300-300	648	180	32	1480	76.4	90	74	330	4.4
	1080	300	25		85.1		86.5		6
	1296	360	19.2		84.8		80		7
ES300-300A	605	168	27	1480	61.8	75	72	308	4.4
	1008	280	20		65.0		84.5		6
	1210	336	15		63.4		78		7
ES300-300B	564	157	22	1480	48.3	55	70	287	4.4
	939	261	16		49.3		83		6
	1127	313	11.5		47.7		74		7



ES300-300C	509	141	18	1480	37.8	45	66	259	4.4
	848	235	12.6		36.8		79		6
	1017	283	9		34.6		72		7
ES300-435	1080	300	65	1480	242.1	355	79	438	4.6
	1800	500	56		308.6		89		5.5
	2160	600	49		335.3		86		7
ES300-435A	1023	284	57	1480	203.8	315	78	415	4.6
	1705	474	48		253.5		88		5.5
	2047	568	42		275.5		85		7
ES300-435B	952	264	50	1480	168.4	250	77	386	4.6
	1586	441	41		203.7		87		5.5
	1904	529	34		212.5		83		7
ES300-435C	873	242	42	1480	133.2	200	75	354	4.6
	1455	404	33		153.9		85		5.5
	1746	485	27		160.5		80		7
ES300-560	1026	285	118	1480	412.4	710	80	565	4.3
	1710	475	105		562.3		87		7
	2052	570	95		624.9		85		9
ES300-560A	935	260	96	1480	317.7	500	77	515	4.3
	1559	433	83		409.9		86		7
	1870	520	73		442.9		84		9
ES300-560B	846	235	78	1480	243.0	355	74	466	4.3
	1410	392	65		293.9		85		7
	1692	470	55		309.3		82		9
ES300-560C	774	215	63	1480	184.4	250	72	426	4.3
	1289	358	52		220.1		83		7
	1547	430	42		227.0		78		9
ES300-700	1102	306	180	1480	683.9	1100	79	705	3.9
	1836	510	160		930.7		86		4.6
	2088	580	152		1017.4		85		6
ES300-700A	1023	284	157	1480	568.6	900	77	655	3.9
	1706	474	137		749.1		85		4.6
	2052	570	125		832.0		84		6
ES300-700B	938	260	126	1480	423.5	710	76	600	3.9
	1563	434	115		582.9		84		4.6
	1880	522	103		635.6		83		6
ES300-700C	859	239	108	1480	341.8	560	74	550	3.9
	1432	398	94		442.0		83		4.6
	1723	479	84		480.9		82		6
ES350-360	1015	282	42	1480	166.0	200	70	382	4.6
	1692	470	31.5		167.9		86.5		5.7
	2030	564	22		156.0		78		8.4
ES350-360A	949	264	36	1480	136.9	160	68	357	4.6
	1581	439	27		138.5		84		5.7
	1898	527	19		127.6		77		8.4
ES350-360B	882	245	31	1480	112.9	132	66	332	4.6
	1471	408	23		112.4		82		5.7
	1765	490	16		101.2		76		8.4
ES350-360C	842	234	26	1480	94.7	110	63	317	4.6
	1404	390	18		87.2		79		5.7
	1685	468	12		76.5		72		8.4
ES350-430	1685	468	55	1480	355.6	450	71	440	7.5
	2808	780	42.5		380.3		85.5		9.8
	3370	936	35		396.7		81		12.6



ES350-430A	1574	437	48	1480	298.3	355	69	411	7.5
	2623	729	36		306.3		84		9.8
	3148	874	28		304.0		79		12.6
ES350-430B	1463	406	40	1480	241.6	315	66	382	7.5
	2438	677	28		229.6		81		9.8
	2925	813	21		220.3		76		12.6
ES350-430C	1398	388	34	1480	202.3	250	64	365	7.5
	2329	647	22.5		180.8		79		9.8
	2700	750	17		173.7		72		12.6
ES350-510	1685	468	88	1480	511.4	710	79	515	4.5
	2808	780	76		639.0		91		8.5
	3370	936	66		688.6		88		11.5
ES350-510A	1577	438	77	1480	429.7	630	77	482	4.5
	2628	730	66		525.1		90		8.5
	3154	876	57		563.0		87		11.5
ES350-510B	1456	404	65	1480	343.8	500	75	445	4.5
	2426	674	56		416.0		89		8.5
	2912	809	48		448.0		85		11.5
ES350-510C	1335	371	53	1480	271.5	400	71	408	4.5
	2225	618	46		324.2		86		8.5
	2670	742	38		345.5		80		11.5
ES350-575	1706	474	113	1480	673.6	1100	78	571	3
	2844	790	101		869.6		90		7.5
	3420	950	91		986.1		86		10.5
ES350-575A	1611	447	102	1480	581.4	900	77	539	3
	2685	746	87		715.1		89		7.5
	3228	897	77		796.9		85		10.5
ES350-575B	1512	420	90	1480	494.4	710	75	506	3
	2520	700	76		593.1		88		7.5
	3031	842	67		666.6		83		10.5
ES350-575C	1417	393	79	1480	417.7	630	73	474	3
	2361	656	66		493.7		86		7.5
	2839	789	57		551.2		80		10.5



ES 60HZ

ES	Capacity		Head m	Speed r/min	Power (kw)		Eff %	Impeller Dia. mm	(NPSH) r m
	m ³ /h	L/s			Shaft	Motor			
ES80-210	178	49	102	3580	67.0	110	74	220	3.5
	302	84	89		89.4		82		8
	364	101	79		97.6		80		10.5
ES80-210A	166	46	89	3580	55.8	90	72	205	3.5
	282	78	77		72.8		81		8
	340	94	66		78.1		78		10.5
ES80-210B	154	43	74	3580	45.1	75	69	190	3.5
	261	72	62		56.7		78		8
	315	87	52		60.8		74		10.5
ES80-210C	141	39	62	3580	36.3	55	66	175	3.5
	240	67	49		42.6		76		8
	290	81	40		45.4		70		10.5
ES80-270	213	59	157	3580	124.7	200	73	265	6.5
	351	98	140		165.6		81		14.5
	427	119	122		184.1		77		19
ES80-270A	197	55	132	3580	98.7	160	72	245	6.5
	325	90	116		133.0		77		14.5
	394	110	99		147.4		72		19
ES80-270B	181	50	111	3580	79.4	132	69	225	6.5
	298	83	93		103.1		73		14.5
	362	101	77		114.0		67		19
ES80-270C	165	46	89	3580	60.6	90	66	205	6.5
	272	75	73		77.3		70		14.5
	330	92	59		82.2		64		19
ES100-250	249	69	135	3580	126.9	200	72	254	4
	409	114	118		162.7		81		11
	489	136	101		175.0		77		20
ES100-250A	231	64	113	3580	98.7	160	72	236	4
	380	106	98		126.2		80		11
	454	126	84		135.2		77		20
ES100-250B	215	60	96	3580	79.3	132	71	219	4
	353	98	82		99.3		79		11
	421	117	70		105.9		76		20
ES100-250C	197	55	81	3580	61.3	90	71	201	4
	324	90	67		75.8		78		11
	387	107	57		80.5		75		20
ES125-230	401	111	119	3580	177.6	315	73	245	7.1
	662	184	101		217.3		84		7.5
	792	220	89		243.1		79		8.4
ES125-230A	373	104	101	3580	146.0	200	70	228	7.1
	616	171	82		167.6		82		7.5
	737	205	70		178.6		79		8.4
ES125-230B	343	95	80	3580	111.1	160	67	210	7.1
	567	158	64		124.4		80		7.5
	679	189	53		129.7		76		8.4
ES125-230C	316	88	64	3580	86.5	110	64	193	7.1
	521	145	48		89.7		76		7.5
	624	173	37		88.5		72		8.4
ES125-290	409	114	187	3580	271.2	450	77	298	6.2
	679	189	164		361.0		84		7.3
	819	227	146		397.9		82		8.4



ES125-290A	379	105	154	3580	212.7	315	75	276	6.2
	629	175	130		272.8		82		7.3
	758	211	114		294.6		80		8.4
ES125-290B	349	97	126	3580	163.8	250	73	254	6.2
	579	161	105		206.5		80		7.3
	698	194	88		213.9		78		8.4
ES125-290C	319	89	104	3580	128.5	200	70	232	6.2
	529	147	82		151.3		78		7.3
	637	177	66		155.1		74		8.4
ES80-210	87	24	24.5	1750	7.8	15	74	220	2
	148	41	21.3		10.4		82		3
	178	49	18.8		11.4		80		3.8
ES80-210A	81	22	21.3	1750	6.5	11	72	205	2
	138	38	18.4		8.5		81		3
	166	46	15.7		9.1		78		3.8
ES80-210B	75	21	17.8	1750	5.3	11	69	190	2
	128	35	14.9		6.6		78		3
	154	43	12.5		7.1		74		3.8
ES80-210C	69	19	14.9	1750	4.2	7.5	66	175	2
	118	33	11.8		5.0		76		3
	142	39	9.6		5.3		70		3.8
ES80-270	106	29	38.7	1780	15.3	30	73	265	2.2
	175	48	34.7		20.4		81		3.4
	212	59	30.1		22.6		77		5
ES80-270A	98	27	32.7	1780	12.1	22	72	245	2.2
	161	45	28.6		16.4		77		3.4
	196	54	24.4		18.1		72		5
ES80-270B	90	25	27.4	1780	9.8	18.5	69	225	2.2
	148	41	22.9		12.7		73		3.4
	180	50	19.1		14.0		67		5
ES80-270C	82	23	22.0	1780	7.5	15	66	205	2.2
	135	38	18.1		9.5		70		3.4
	164	46	14.5		10.1		64		5
ES80-370	104	29	61.0	1780	25.4	45	68	330	2.2
	173	48	56.4		35.5		75		3.3
	208	58	51.9		40.8		72		4.6
ES80-370A	98	27	53.2	1780	21.1	37	67	310	2.2
	163	45	48.7		29.2		74		3.3
	195	54	44.3		33.2		71		4.6
ES80-370B	90	25	45.4	1780	16.8	30	66	285	2.2
	150	42	40.8		22.8		73		3.3
	179	50	36.2		25.3		70		4.6
ES80-370C	82	23	37.6	1780	12.9	22	65	260	2.2
	136	38	31.8		16.4		72		3.3
	164	45	27.5		18.0		68		4.6
ES100-250	124	34	33.3	1780	15.6	22	72	254	1.4
	203	56	29.2		20.0		81		2.7
	243	68	25.0		21.5		77		4.3
ES100-250A	115	32	27.9	1780	12.1	18.5	72	236	1.4
	189	52	24.1		15.5		80		2.7
	226	63	20.8		16.6		77		4.3
ES100-250B	107	30	23.8	1780	9.7	15	71	219	1.4
	175	49	20.2		12.2		79		2.7
	210	58	17.3		13.0		76		4.3



ES100-250C	98	27	20.0	1780	7.5	11	71	201	1.4
	161	45	16.6		9.3		78		2.7
	192	53	14.2		9.9		75		4.3
ES100-310	156	43	55.5	1780	32.3	55	73	320	2
	260	72	50.5		44.1		81		3
	312	87	45.6		49.0		79		4.3
ES100-310A	147	41	49.6	1780	27.5	45	72	301	2
	244	68	44.8		37.3		80		3
	293	81	41.2		41.7		79		4.3
ES100-310B	135	38	41.9	1780	22.1	37	70	278	2
	226	63	38.5		30.3		78		3
	271	75	35.3		33.8		77		4.3
ES100-310C	124	34	35.1	1780	17.7	30	67	254	2
	206	57	31.2		23.1		76		3
	247	69	28.2		25.7		74		4.3
ES100-375	139	38	90.3	1780	51.6	90	66	408	2
	229	64	81.7		68.1		75		2.5
	277	77	73.0		76.6		72		4.3
ES100-375A	130	36	77.1	1780	41.9	75	65	382	2
	215	60	69.0		55.3		73		2.5
	259	72	59.3		59.9		70		4.3
ES100-375B	121	33	65.4	1780	33.6	55	64	355	2
	200	55	58.6		44.9		71		2.5
	241	67	49.2		49.0		66		4.3
ES100-375C	110	31	55.0	1780	27.1	45	61	325	2
	183	51	48.0		34.7		69		2.5
	221	61	39.1		38.5		61		4.3
ES125-230	199	55	29.4	1780	21.8	37	73	245	1.5
	329	91	25.0		26.7		84		1.9
	394	109	22.0		29.9		79		2.8
ES125-230A	185	51	24.9	1780	18.0	30	70	228	1.5
	306	85	20.3		20.6		82		1.9
	367	102	17.4		22.0		79		2.8
ES125-230B	171	47	19.7	1780	13.7	22	67	210	1.5
	282	78	15.9		15.3		80		1.9
	338	94	13.2		15.9		76		2.8
ES125-230C	157	44	15.9	1780	10.6	15	64	193	1.5
	259	72	11.9		11.0		76		1.9
	310	86	9.3		10.9		72		2.8
ES125-290	203	57	46.3	1780	33.3	55	77	298	2.2
	338	94	40.5		44.4		84		3.2
	407	113	36.2		48.9		82		5.3
ES125-290A	188	52	38.2	1780	26.1	45	75	276	2.2
	313	87	32.3		33.5		82		3.2
	377	105	28.2		36.2		80		5.3
ES125-290B	173	48	31.1	1780	20.1	30	73	254	2.2
	288	80	25.9		25.4		80		3.2
	347	96	21.7		26.3		78		5.3
ES125-290C	158	44	25.6	1780	15.8	22	70	232	2.2
	263	73	20.3		18.6		78		3.2
	317	88	16.3		19.1		74		5.3
ES125-365	260	72	81.9	1780	74.3	132	78	390	3
	433	120	72.6		100.8		85		3.8
	520	144	65.1		112.4		82		6



ES125-365A	235	65	63.6	1780	54.4	90	75	353	3
	392	109	55.8		72.7		82		3.8
	470	131	49.2		79.8		79		6
ES125-365B	214	59	52.1	1780	42.1	75	72	321	3
	356	99	43.4		53.3		79		3.8
	428	119	37.6		57.7		76		6
ES125-365C	193	53	41.9	1780	31.9	55	69	289	3
	321	89	34.0		39.1		76		3.8
	385	107	28.9		42.2		72		6
ES125-500	234	65	121.5	1780	103.2	200	75	475	2.2
	390	108	111.4		144.2		82		3
	468	130	102.7		165.6		79		4.5
ES125-500A	208	58	105.6	1780	81.9	160	73	443	2.2
	346	96	96.9		114.3		80		3
	416	115	88.2		129.8		77		4.5
ES125-500B	182	51	90.4	1780	63.1	110	71	412	2.2
	303	84	81.7		86.5		78		3
	364	101	74.5		98.4		75		4.5
ES125-500C	156	43	76.7	1780	47.2	90	69	381	2.2
	260	72	69.4		64.7		76		3
	312	87	62.2		72.4		73		4.5
ES150-290	312	87	37.6	1780	42.0	75	76	280	2.4
	520	144	32.7		53.2		87		5
	623	173	28.2		57.0		84		7.5
ES150-290A	294	82	33.3	1780	35.1	55	76	264	2.4
	490	136	28.6		44.5		86		5
	588	163	24.9		48.0		83		7.5
ES150-290B	271	75	27.9	1780	28.6	45	72	243	2.4
	451	125	23.4		34.3		84		5
	541	150	19.5		35.5		81		7.5
ES150-290C	253	70	23.6	1780	23.9	37	68	227	2.4
	421	117	18.8		27.0		80		5
	505	140	15.2		27.2		77		7.5
ES150-360	325	90	64.8	1780	72.6	132	79	355	2
	541	150	55.8		95.7		86		2.5
	649	180	47.7		103.0		82		3.5
ES150-360A	297	83	53.5	1780	56.3	90	77	325	2
	495	138	44.8		72.9		83		2.5
	595	165	38.3		77.6		80		3.5
ES150-360B	273	76	44.8	1780	44.4	75	75	298	2
	454	126	36.6		55.9		81		2.5
	545	151	30.4		57.9		78		3.5
ES150-360C	251	70	37.6	1780	35.7	55	72	274	2
	418	116	29.4		42.8		78		2.5
	501	139	23.1		42.7		74		3.5
ES150-460	372	103	107.0	1780	141.0	250	77	452	3.6
	619	172	96.2		193.2		84		4.2
	745	207	85.3		213.8		81		6.8
ES150-460A	343	95	90.4	1780	112.6	200	75	416	3.6
	570	158	79.6		148.8		83		4.2
	685	190	70.9		167.6		79		6.8
ES150-460B	311	86	75.2	1780	87.4	160	73	378	3.6
	518	144	65.1		113.4		81		4.2
	623	173	55.0		121.1		77		6.8



ES150-460C	280	78	60.8	1780	65.3	110	71	340	3.6
	466	129	52.1		82.6		80		4.2
	560	156	43.4		88.3		75		6.8
ES150-605	416	115	169.2	1780	259.0	450	74	560	3
	693	192	151.9		353.9		81		4.3
	831	231	138.9		398.2		79		7
ES150-605A	388	108	147.5	1780	216.8	400	72	523	3
	647	180	130.2		286.9		80		4.3
	776	216	118.6		325.9		77		7
ES150-605B	361	100	125.8	1780	174.2	315	71	486	3
	601	167	111.4		233.9		78		4.3
	721	200	98.4		261.3		74		7
ES150-605C	333	93	105.6	1780	141.0	250	68	449	3
	555	154	89.7		178.6		76		4.3
	649	180	79.6		201.1		70		7
ES200-250	468	130	37.6	1780	59.9	90	80	281	2.2
	779	216	30.4		74.1		87		4.5
	935	260	26.0		79.0		84		7.2
ES200-250A	441	122	31.8	1780	51.0	75	75	265	2.2
	735	204	24.6		59.3		83		4.5
	882	245	21.0		63.0		80		7.2
ES200-250B	411	114	27.2	1780	43.5	55	70	247	2.2
	685	190	20.3		47.8		79		4.5
	822	228	15.9		48.2		74		7.2
ES200-250C	383	106	22.4	1780	34.4	45	68	230	2.2
	638	177	15.0		35.3		74		4.5
	765	213	10.4		35.6		61		7.2
ES200-320	476	132	55.0	1780	92.6	132	77	338	3
	792	220	46.3		114.9		87		3.8
	953	265	37.6		119.0		82		5.5
ES200-320A	442	123	45.4	1780	71.1	110	77	314	3
	736	204	36.7		87.7		84		3.8
	885	246	29.5		90.1		79		5.5
ES200-320B	409	114	37.6	1780	58.2	75	72	290	3
	680	189	28.9		67.8		79		3.8
	817	227	21.7		63.6		76		5.5
ES200-320C	375	104	30.4	1780	45.0	55	69	266	3
	624	173	22.0		49.2		76		3.8
	750	208	15.9		45.1		72		5.5
ES200-420	507	141	89.7	1780	156.7	250	79	415	3
	844	235	78.1		206.5		87		3.8
	1013	281	68.0		228.9		82		5.5
ES200-420A	464	129	73.8	1780	119.5	200	78	380	3
	773	215	62.2		156.0		84		3.8
	928	258	53.5		169.1		80		5.5
ES200-420B	427	119	61.5	1780	95.4	160	75	350	3
	712	198	52.1		124.7		81		3.8
	854	237	41.9		125.2		78		5.5
ES200-420C	391	109	50.6	1780	74.8	110	72	320	3
	651	181	39.8		90.5		78		3.8
	781	217	32.5		93.6		74		5.5
ES200-520	589	164	153.3	1780	319.5	560	77	530	4
	979	272	134.5		432.1		83		6
	1173	326	120.1		492.1		78		9



ES200-520A	540	150	125.8	1780	240.5	400	77	486	4
	897	249	112.8		340.6		81		6
	1076	299	98.4		369.7		78		9
ES200-520B	491	136	102.7	1780	183.2	315	75	442	4
	816	227	88.2		248.4		79		6
	979	272	76.7		265.5		77		9
ES200-520C	442	123	81.0	1780	133.7	200	73	398	4
	735	204	68.0		174.5		78		6
	881	245	56.4		180.6		75		9
ES250-370	766	213	68.0	1780	186.8	250	76	369	3.3
	1277	355	57.0		225.4		88		5.2
	1533	426	44.1		219.3		84		7.3
ES250-370A	706	196	58.6	1780	154.4	250	73	340	3.3
	1177	327	47.7		180.1		85		5.2
	1412	392	40.5		192.4		81		7.3
ES250-370B	644	179	49.2	1780	123.3	200	70	310	3.3
	1073	298	39.1		139.3		82		5.2
	1288	358	33.0		148.4		78		7.3
ES250-370C	577	160	39.6	1780	94.5	132	66	278	3.3
	962	267	31.2		105.0		78		5.2
	1155	321	26.0		109.2		75		7.3
ES250-480	883	245	112.8	1780	343.7	560	79	470	3.3
	1472	409	98.4		448.3		88		6.3
	1767	491	88.2		499.7		85		9.3
ES250-480A	823	229	97.6	1780	280.8	450	78	438	3.3
	1372	381	83.9		364.7		86		6.3
	1646	457	75.2		406.5		83		9.3
ES250-480B	757	210	83.9	1780	227.8	355	76	403	3.3
	1262	351	70.9		290.2		84		6.3
	1515	421	62.2		320.9		80		9.3
ES250-480C	693	193	69.4	1780	179.7	315	73	369	3.3
	1156	321	60.8		236.2		81		6.3
	1387	385	52.1		252.3		78		9.3
ES250-600	935	260	193.8	1780	633.3	1120	78	610	3.5
	1559	433	175.0		864.4		86		7
	1870	520	156.2		971.0		82		10
ES250-600A	871	242	170.7	1780	532.9	900	76	568	3.5
	1451	403	153.3		713.4		85		7
	1742	484	137.4		785.7		83		10
ES250-600B	797	221	143.2	1780	420.4	710	74	520	3.5
	1329	369	127.3		548.6		84		7
	1594	443	112.8		597.8		82		10
ES250-600C	728	202	117.2	1780	322.9	500	72	475	3.5
	1214	337	101.3		408.4		82		7
	1456	405	86.8		430.5		80		10
ES300-300	779	216	46.3	1780	132.8	160	74	330	5
	1299	361	36.2		148.0		86.5		6.8
	1559	433	27.8		147.4		80		8.2
ES300-300A	727	202	39.1	1780	107.5	132	72	308	5
	1212	337	28.9		113.1		84.5		6.8
	1455	404	21.7		110.3		78		8.2
ES300-300B	678	188	31.8	1780	84.0	110	70	287	5
	1130	314	23.1		85.8		83		6.8
	1356	377	16.6		83.0		74		8.2

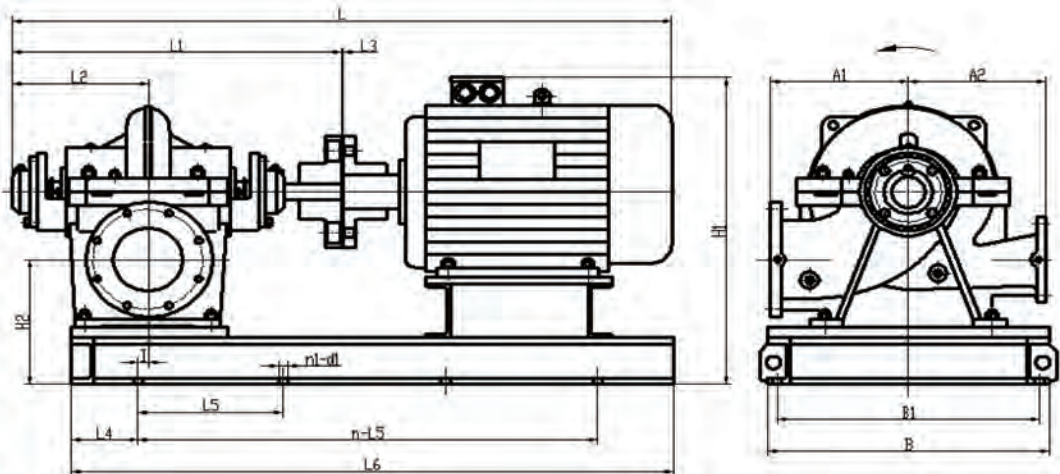


ES300-300C	612	170	26.0	1780	65.8	75	66	259	5
	1019	283	18.2		64.1		79		6.8
	1223	340	13.0		60.3		72		8.2
ES300-435	1299	361	94.0	1780	421.2	630	79	438	4.8
	2165	601	81.0		536.9		89		7.4
	2598	722	70.9		583.4		86		9.8
ES300-435A	1231	342	82.5	1780	354.5	560	78	415	4.8
	2051	570	69.4		441.0		88		7.4
	2461	684	60.8		479.4		85		9.8
ES300-435B	1145	318	72.3	1780	293.0	400	77	386	4.8
	1908	530	59.3		354.4		87		7.4
	2289	636	49.2		369.6		83		9.8
ES300-435C	1050	292	60.8	1780	231.7	315	75	354	4.8
	1750	486	47.7		267.7		85		7.4
	2100	583	39.1		279.3		80		9.8
ES300-560	1234	343	170.7	1780	171.4	1250	80	565	5
	2057	571	151.9		978.3		87		9.2
	2468	686	137.4		1087.2		85		12.6
ES300-560A	1125	312	138.9	1780	552.7	900	77	515	5
	1875	521	120.1		713.1		86		9.2
	2250	625	105.6		770.5		84		12.6
ES300-560B	1018	283	112.8	1780	422.8	630	74	466	5
	1696	471	94.0		511.3		85		9.2
	2036	565	79.6		538.1		82		12.6
ES300-560C	930	258	91.1	1780	320.9	450	72	426	5
	1551	431	75.2		382.9		83		9.2
	1861	517	60.8		394.9		78		12.6
ES350-360	1221	339	60.8	1780	288.7	315	70	382	4.6
	2035	565	45.6		292.1		86.5		8.2
	2442	678	31.8		271.5		78		11.5
ES350-360A	1141	317	52.1	1780	238.1	315	68	357	4.6
	1902	528	39.1		240.9		84		8.2
	2282	634	27.5		222.0		77		11.5
ES350-360B	1061	295	44.8	1780	196.5	250	66	332	4.6
	1769	491	33.3		195.5		82		8.2
	2122	590	23.1		176.1		76		11.5
ES350-360C	1013	281	37.6	1780	164.8	200	63	317	4.6
	1689	469	26.0		151.7		79		8.2
	2026	563	17.4		133.1		72		11.5
ES350-430	2026	563	79.6	1780	618.7	800	71	440	8
	3377	938	61.5		661.7		85.5		12.5
	4053	1126	50.6		690.2		81		16
ES350-430A	1893	526	69.4	1780	519.0	630	69	411	8
	3155	876	52.1		532.9		84		12.5
	3786	1052	40.5		528.8		79		16
ES350-430B	1759	489	57.9	1780	420.2	500	66	382	8
	2932	814	40.5		399.5		81		12.5
	3518	977	30.4		383.2		76		16
ES350-430C	1681	467	49.2	1780	352.0	400	64	365	8
	2802	778	32.5		314.5		79		12.5
	3247	902	24.6		302.2		72		16
ES350-510	2026	563	127.3	1780	889.6	1400	79	515	6
	3377	938	109.9		1111.7		91		11
	4053	1126	95.5		1198.0		88		15



ES350-510A	1896	527	111.4	1780	747.5	1120	77	482	6
	3161	878	95.5		913.6		90		11
	3793	1054	82.5		979.5		87		15
ES350-510B	1751	486	94.0	1780	598.1	900	75	445	6
	2918	811	81.0		723.7		89		11
	3502	973	69.4		779.4		85		15
ES350-510C	1605	446	76.7	1780	472.3	710	71	408	6
	2676	743	66.5		564.1		86		11
	3211	892	55.0		601.1		80		15
ES350-575	2052	570	163.5	1780	1171.9	1800	78	571	5
	3420	950	146.1		1512.9		90		10.7
	4113	1143	131.6		1715.4		86		15
ES350-575A	1937	538	147.5	1780	1011.5	1600	77	539	5
	3229	897	125.8		1244.0		89		10.7
	3883	1079	111.4		1386.3		85		15
ES350-575B	1819	505	130.2	1780	860.2	1250	75	506	5
	3031	842	109.9		1031.8		88		10.7
	3645	1013	96.9		1159.7		83		15
ES350-575C	1704	473	114.3	1780	726.7	1120	73	474	5
	2839	789	95.5		858.9		86		10.7
	3414	948	82.5		958.9		80		15

ESD Installation Dimensions(50HZ)





No	ESD		Motor(VI)				Pump Dimensions(mm)												Weight(kg)		
	Model	Model	kw	L	L1	L2	L3	L4	n-L5	L6	H1	H2	A1	A2	B	B1	I	n-d1	Pump	Motor	Total
1	ESD80-210-04004	Y2-112M4	4	1089	685	300	4	200	550	990	613	285	300	300	500	460	45	4-022	179	46	283
2	ESD80-210-05504	Y2-132S-4	5.5	1159	685	300	4	200	600	1000	638	285	300	300	500	460	45	4-022	179	64	302
3	ESD80-210-07504	Y2-132M4	7.5	1199	685	300	4	200	600	1000	638	285	300	300	500	460	45	4-022	179	77	315
4	ESD80-210-11004	Y2-160M4	11	1294	685	300	4	200	700	1170	665	285	300	300	500	460	45	4-022	179	106	347
5	ESD80-210-30002	Y2-200L-1-2	30	1455	685	300	5	250	700	1200	725	285	300	300	500	460	95	4-022	179	220	461
6	ESD80-210-37002	Y2-200L2-2	37	1455	685	300	5	250	700	1200	725	285	300	300	500	460	95	4-022	179	230	471
7	ESD80-210-45002	Y2-225M2	45	1495	685	300	5	250	700	1200	750	285	300	300	500	460	95	4-022	179	280	533
8	ESD80-210-55002	Y2-250M2	55	1600	685	300	5	250	2-450	1300	790	285	300	300	500	460	45	4-022	179	366	618
9	ESD80-210-75002	Y2-280S-2	75	1670	685	300	5	250	2-490	1480	805	285	300	300	500	460	45	4-022	179	475	732
10	ESD80-210-90002	Y2-280M2	90	1720	685	300	5	250	2-490	1480	805	285	300	300	500	460	45	4-022	179	530	787
11	ESD80-270-05504	Y2-132S-4	5.5	1159	685	300	4	200	600	1000	638	285	300	300	500	460	45	4-022	200	64	323
12	ESD80-270-07504	Y2-132M4	7.5	1199	685	300	4	200	600	1000	638	285	300	300	500	460	45	4-022	200	77	336
13	ESD80-270-11004	Y2-160M4	11	1294	685	300	4	200	700	1170	665	285	300	300	500	460	45	4-022	200	106	368
14	ESD80-270-15004	Y2-160L-4	15	1349	685	300	4	200	700	1170	665	285	300	300	500	460	45	4-022	200	128	388
15	ESD80-270-18504	Y2-180M4	18.5	1379	685	300	4	250	700	1200	685	285	300	300	500	460	95	4-022	200	154	418
16	ESD80-270-22004	Y2-200L-4	22	1405	685	300	4	250	700	1200	700	285	300	300	500	460	45	4-022	200	180	454
17	ESD80-270-25002	Y2-225M2	45	1495	685	300	5	250	2-450	1300	790	285	300	300	500	460	45	4-022	200	254	514
18	ESD80-270-30002	Y2-250M2	55	1600	685	300	5	250	2-450	1300	790	285	300	300	500	460	45	4-022	200	366	639
19	ESD80-270-37002	Y2-280S-2	75	1670	685	300	5	250	2-490	1480	805	285	300	300	500	460	45	4-022	200	475	753
20	ESD80-270-45002	Y2-280M2	90	1720	685	300	5	250	2-490	1480	805	285	300	300	500	460	45	4-022	200	530	808
21	ESD80-270-55002	Y2-315S-2	110	1870	685	300	5	250	2-510	1565	945	295	300	300	640	600	45	6-022	200	850	1142
22	ESD80-270-75002	Y2-315M2	132	1980	685	300	5	250	2-510	1565	945	295	300	300	640	600	45	6-022	200	930	1231
23	ESD80-370-11004	Y2-160M4	11	1294	685	300	4	200	700	1170	665	285	300	300	500	460	45	4-022	200	106	377
24	ESD80-370-15004	Y2-160L-4	15	1349	685	300	4	200	700	1170	665	285	300	300	500	460	45	4-022	200	128	397
25	ESD80-370-18504	Y2-180M4	18.5	1379	685	300	4	250	700	1200	685	285	300	300	500	460	95	4-022	200	154	427
26	ESD80-370-22004	Y2-180L-4	22	1405	685	300	4	250	700	1200	700	285	300	300	500	460	45	4-022	200	175	448
27	ESD80-370-30004	Y2-200L-4	30	1455	685	300	4	250	700	1200	730	285	300	300	500	460	95	4-022	200	235	506
28	ESD80-370-37002	Y2-200M2	37	1455	685	300	5	250	2-490	1480	805	285	300	300	500	460	45	4-022	200	250	517
29	ESD80-370-45002	Y2-225M2	45	1495	685	300	5	250	2-450	1300	790	285	300	300	500	460	45	4-022	200	366	639
30	ESD80-370-55002	Y2-250M2	55	1600	685	300	5	250	2-450	1300	790	285	300	300	500	460	45	4-022	200	475	753
31	ESD80-370-75002	Y2-280S-2	75	1670	685	300	5	250	2-490	1480	805	285	300	300	500	460	45	4-022	200	530	808
32	ESD80-370-90002	Y2-280M2	90	1720	685	300	5	250	2-490	1480	805	285	300	300	500	460	45	4-022	200	580	860
33	ESD100-250-05504	Y2-132S-4	5.5	1159	685	300	4	200	600	1000	678	295	330	330	560	520	45	4-022	200	64	338
34	ESD100-250-07504	Y2-132M4	7.5	1199	685	300	4	200	600	1050	678	295	330	330	560	520	45	4-022	200	77	351
35	ESD100-250-11004	Y2-160M4	11	1294	685	300	4	200	700	1170	705	295	330	330	560	520	45	4-022	200	106	383
36	ESD100-250-15004	Y2-160L-4	15	1349	685	300	4	200	700	1170	705	295	330	330	560	520	45	4-022	200	128	403
37	ESD100-250-18504	Y2-180M4	18.5	1379	685	300	4	250	700	1200	725	295	330	330	560	520	45	4-022	200	154	432
38	ESD100-250-22004	Y2-200L-4	22	1405	685	300	4	250	700	1200	730	295	330	330	560	520	45	4-022	200	180	453
39	ESD100-250-25002	Y2-225M2	45	1495	685	300	5	250	2-450	1355	830	295	330	330	700	660	45	6-022	200	366	653
40	ESD100-250-30002	Y2-250M2	55	1600	685	300	5	250	2-450	1355	830	295	330	330	700	660	45	6-022	200	475	765
41	ESD100-250-37002	Y2-280S-2	75	1670	685	300	5	250	2-490	1480	845	295	330	330	700	660	95	6-022	200	530	820
42	ESD100-250-45002	Y2-280M2	90	1720	685	300	5	250	2-490	1480	845	295	330	330	700	660	95	6-022	200	580	860
43	ESD100-250-55002	Y2-315S-2	110	1870	685	300	5	250	2-510	1610	965	305	330	330	700	660	95	6-022	200	850	1151
44	ESD100-250-75002	Y2-315M2	132	1980	685	300	5	250	2-510	1610	990	305	330	330	700	660	95	6-022	200	930	1231
45	ESD100-310-11004	Y2-160L-4	15	1349	685	300	4	200	700	1170	705	295	330	330	560	520	45	4-022	257	126	451
46	ESD100-310-15004	Y2-160M4	18.5	1379	685	300	4	250	700	1200	725	295	330	330	560	520	45	4-022	257	154	480
47	ESD100-310-22004	Y2-180L-4	22	1414	685	300	4	250	700	1200	725	295	330	330	560	520	45	4-022	257	175	501
48	ESD100-310-30004	Y2-200L-4	30	1454	685	300	4	250	700	1250	765	295	330	330	560	520	45	4-022	257	235	560
49	ESD100-310-37004	Y2-225S-4	37	1499	685	300	4	250	2-450	1300	795	295	330	330	560	520	45	4-022	257	295	626
50	ESD100-310-45002	Y2-250M2	45	1495	685	300	5	250	2-450	1300	845	295	330	330	700	660	95	6-022	257	366	688
51	ESD100-310-55002	Y2-280S-2	75	1670	685	300	5	250	2-490	1480	865	295	330	330	700	660	95	6-022	257	475	819
52	ESD100-310-75002	Y2-315S-2	110	1870	685	300	5	250	2-510	1610	990	305	330	330	700	660	95	6-022	257	580	929
53	ESD100-310-90002	Y2-315M2	132	1980	685	300	5	250	2-510	1610	990	305	330	330	700	660	95	6-022	257	630	979
54	ESD100-310-110002	Y2-315L-1-2	180	1980	685	300	5	250	2-510	1610	990	305	330	330	700	660	95	6-022	257	990	1340
55	ESD100-310-130002	Y2-315L2-2	200	1980	685	300	5	250	2-510	1610	990	305	330	330	700	660	95	6-022	257	990	1340
56	ESD100-375-22004	Y2-180L-4	22	1414	685	300	4	250	700	1200	725	295	330	330	560	520	45	4-022	245	175	489
57	ESD100-375-30004	Y2-200L-4	30	1454	685	300	4	250	700	1250	765	295	330	330	560	520	45	4-022	245	235	548
58	ESD100-375-37004	Y2-225S-4	37	1499	685	300	4	250	2-450	1300	795	295	330	330	560	520	45	4-022	245	295	614
59	ESD100-375-45004	Y2-250M4	45	1525	685	300	5	200	2-450	1300	790	295	330	330	640	600	45	6-022	245	366	625
60	ESD100-375-55004	Y2-250M4	55	1600	685	300	5	200	2-450	1355	830	295	330	330	700	660	45	6-022	245	375	698
61	ESD125-230-07504	Y2-132M4	7.5	1364	850	365	4	250	700	1200	763	350	370	370	650	600	55				



84	ESD125-365-85004	Y2-250M-4	55	1764	850	365	4	200	2-650	1500	915	350	370	370	710	680	55	6-022	311	375	825
85	ESD125-365-75004	Y2-280S-4	75	1834	850	365	4	250	2-600	1700	930	350	370	370	750	700	5	6-022	311	533	992
86	ESD125-365-160002	Y2-315L1-2	160	2145	850	365	5	250	2-650	1800	1065	350	370	370	750	700	5	6-022	311	990	1468
87	ESD125-365-200002	Y2-315L2-2	200	2145	850	365	5	250	2-650	1800	1065	350	370	370	750	700	5	6-022	311	1030	1508
88	ESD125-365-250002	Y2-355M-2	250	2365	850	365	5	300	2-700	2060	1215	350	370	370	750	700	5	6-022	311	1650	2146
89	ESD125-365-315002	Y2-355L-2	315	2365	850	365	5	300	2-700	2060	1215	350	370	370	750	700	5	6-022	311	1750	2246
90	ESD125-500-45004	Y2-225M-4	45	1690	850	365	5	200	2-650	1500	875	350	450	450	750	700	55	6-022	414	306	860
91	ESD125-500-85004	Y2-250M-4	55	1765	850	365	5	200	2-650	1500	915	350	450	450	750	700	55	6-022	414	375	931
92	ESD125-500-75004	Y2-280S-4	75	1835	850	365	5	250	2-600	1700	930	350	450	450	750	700	5	6-022	414	533	1095
93	ESD125-500-90004	Y2-280M-4	80	1885	850	365	5	250	2-600	1700	930	350	450	450	750	700	5	6-022	414	575	1137
94	ESD125-500-110004	Y2-315S-4	110	2130	850	365	5	250	2-650	1800	1065	350	450	450	750	700	5	6-022	414	820	1400
95	ESD125-500-132004	Y2-315M-4	132	2175	850	365	5	250	2-650	1800	1065	350	450	450	750	700	5	6-022	414	960	1540
96	ESD150-290-15004	Y2-160L-4	15	1514	850	365	4	250	800	1300	790	340	370	370	650	600	55	4-022	323	126	574
97	ESD150-290-18504	Y2-180M-4	18.5	1544	850	365	4	200	2-500	1400	810	340	370	370	650	600	5	6-022	323	154	605
98	ESD150-290-22004	Y2-180L-4	22	1579	850	365	4	200	2-500	1400	810	340	370	370	650	600	5	6-022	323	175	626
99	ESD150-290-30004	Y2-200L-4	30	1619	850	365	4	200	2-500	1450	850	340	370	370	650	600	5	6-022	323	235	689
100	ESD150-290-37004	Y2-225S-4	37	1669	850	365	4	200	2-500	1450	850	340	370	370	650	600	5	6-022	323	295	749
101	ESD150-290-132002	Y2-315M-2	132	2145	850	365	5	250	2-650	1800	1065	340	370	370	650	600	55	6-022	323	960	1449
102	ESD150-290-160002	Y2-315L1-2	160	2145	850	365	5	250	2-650	1800	1065	340	370	370	650	600	55	6-022	323	1000	1490
103	ESD150-290-200002	Y2-315L2-2	200	2145	850	365	5	250	2-650	1800	1065	340	370	370	650	600	55	6-022	323	1080	1570
104	ESD150-290-250002	Y2-355M-2	250	2365	850	365	5	300	2-700	2060	1215	350	370	650	600	105	6-022	323	1580	2088	
105	ESD150-290-315002	Y2-355L-2	315	2365	850	365	5	300	2-700	2060	1215	350	370	650	600	105	6-022	323	1730	2338	
106	ESD150-360-30004	Y2-200L-4	30	1619	850	365	4	200	2-500	1450	850	350	370	370	650	600	5	6-022	350	200	681
107	ESD150-360-37004	Y2-225S-4	37	1664	850	365	4	200	2-500	1500	850	350	370	370	650	600	5	6-022	350	239	776
108	ESD150-360-45004	Y2-225M-4	45	1689	850	365	4	200	2-550	1500	875	350	370	370	650	600	5	6-022	350	308	788
109	ESD150-360-55004	Y2-250M-4	55	1764	850	365	4	200	2-550	1580	915	350	370	370	650	600	5	6-022	350	375	864
110	ESD150-360-75004	Y2-280S-4	75	1814	850	365	4	200	2-550	1580	930	350	370	370	650	600	5	6-022	350	533	1031
111	ESD150-460-45004	Y2-225M-4	45	1800	960	420	5	250	2-500	1550	900	375	450	450	750	700	5	6-024	418	306	891
112	ESD150-460-55004	Y2-250M-4	55	1875	960	420	5	250	2-550	1660	940	375	450	450	750	700	5	6-024	418	375	964
113	ESD150-460-75004	Y2-280S-4	75	1945	960	420	5	250	2-600	1750	955	375	450	450	750	700	5	6-024	418	533	1127
114	ESD150-460-90004	Y2-300M-4	90	1995	960	420	5	250	2-600	1750	955	375	450	450	750	700	5	6-024	418	575	1169
115	ESD150-460-110004	Y2-315S-4	110	2240	960	420	5	250	2-700	1900	1090	375	450	450	750	700	5	6-024	418	820	1437
116	ESD150-460-132004	Y2-315M-4	132	2285	960	420	5	250	2-700	1900	1090	375	450	450	750	700	5	6-024	418	960	1577
117	ESD150-460-160004	Y2-315L1-4	160	2285	960	420	5	250	2-600	1950	1090	375	450	450	750	700	5	6-024	418	1000	1620
118	ESD150-460-185004	Y2-315S-4	180	2240	960	420	5	250	2-700	1900	1190	375	600	500	900	840	5	6-024	755	920	1806
119	ESD150-460-220004	Y2-315M-4	222	2285	960	420	5	250	2-700	1900	1190	375	600	500	900	840	5	6-024	755	960	1946
120	ESD150-605-160004	Y2-315L1-4	160	2285	960	420	5	250	3-000	1950	1190	375	600	500	900	840	5	6-024	755	1000	1990

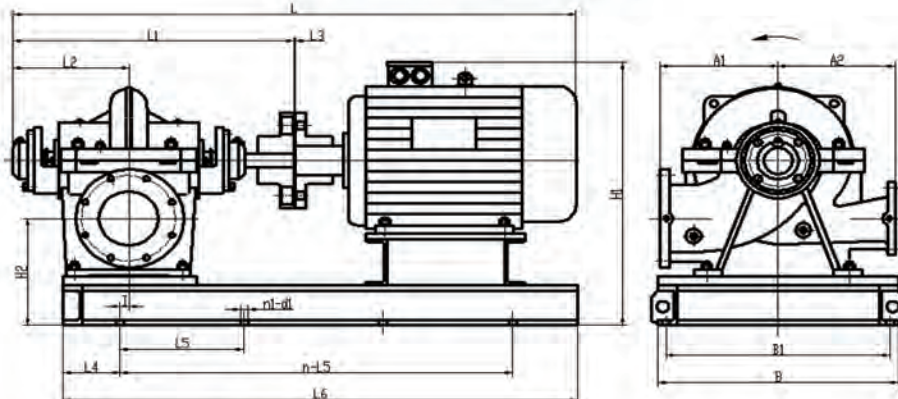
No	EBD		Motor(Vt)								Pump Dimension(mm)										Weight(kg)	
	Model	Model	kW	L	L1	L2	L3	L4	nL5	L6	H1	H2	A1	A2	B	B1	I	n1-d1	Pump	Motor	Total	
121	ESD150-605-200004	Y2-315L2-4	200	2285	960	420	5	250	3-500	1950	1190	375	600	500	900	840	5	6-024	755	1080	2070	
122	ESD150-605-250004	Y2-355M-4	250	2505	960	420	5	250	3-500	2050	1330	375	600	500	900	840	5	6-024	755	1580	2573	
123	ESD150-605-315004	Y2-355L-4	315	2505	960	420	5	250	3-500	2050	1330	375	600	500	900	840	5	6-024	755	1730	2723	
124	ESD200-320-30004	Y2-200L-4	30	1730	960	420	5	250	2-500	1480	975	435	450	450	750	700	5	6-024	506	200	882	
125	ESD200-320-37004	Y2-225S-4	37	1775	960	420	5	250	2-500	1530	1005	435	450	450	750	700	5	6-024	506	295	978	
126	ESD200-320-45004	Y2-225M-4	45	1800	960	420	5	250	2-500	1530	1005	435	450	450	750	700	5	6-024	506	308	989	
127	ESD200-320-55004	Y2-250M-4	55	1875	960	420	5	250	2-500	1580	1040	435	450	450	750	700	5	6-024	506	375	1059	
128	ESD200-320-75004	Y2-280S-4	75	1935	960	420	5	250	2-650	1750	1055	435	450	450	750	700	5	6-024	506	533	1227	
129	ESD200-420-45004	Y2-225M-4	45	1800	960	420	5	250	2-500	1530	1000	435	450	450	750	700	5	6-024	561	308	1034	
130	ESD200-420-55004	Y2-250M-4	55	1875	960	420	5	250	2-500	1580	1040	435	450	450	750	700	5	6-024	561	375	1104	
131	ESD200-420-75004	Y2-280S-4	75	1945	960	420	5	250	2-600	1750	1055	435	450	450	750	700	5	6-024	561	533	1272	
132	ESD200-420-90004	Y2-300M-4	90	1995	960	420	5	250	2-650	1750	1085	435	450	450	750	700	5	6-024	561	575	1314	
133	ESD200-420-110004	Y2-315S-4	110	2240	960	420	5	250	2-650	1850	1190	435	450	450	750	700	5	6-024	551	820	1582	
134	ESD200-420-132004	Y2-315M-4	132	2285	960	420	5	250	2-650	1850	1190	435	450	450	750	700	5	6-024	551	860	1722	
135	ESD200-420-160004	Y2-315L1-4	160	2285	960	420	5	250	3-000	1950	1190	435	450	450	750	700	5	6-024	551	1000	1787	
136	ESD200-520-110004	Y2-315S-4	110	2389	1108	479	6	250	3-500	1980	1275	460	600	500	900	840	5	6-024	700	820	1860	
137	ESD200-520-132004	Y2-315M-4	1																			



169	ESD250-600-600004	Y3-400-4	500	3191	1210	615	6	200	3-770	2700	1730	520	650	550	950	880	95	8-∅26	1116	3000	4503
170	ESD250-600-600004	Y3-400-4	560	3191	1210	615	6	200	3-770	2700	1730	520	650	550	950	880	95	8-∅26	1116	3200	4703
171	ESD250-600-630004	Y3-400-4	630	3191	1210	615	6	200	3-770	2700	1730	520	650	550	950	880	95	8-∅26	1116	3400	4903
172	ESD300-300-45004	Y2-225M-4	45	1949	1108	478	6	250	2-550	1630	1155	530	550	500	900	840	20	6-∅26	792	306	1334
173	ESD300-300-45004	Y2-250M-4	55	2024	1108	478	6	250	2-600	1750	1195	530	550	500	900	840	20	6-∅26	792	375	1407
174	ESD300-300-75004	Y2-280S-4	75	2094	1108	478	6	250	2-650	1800	1210	530	550	500	900	840	20	6-∅26	792	533	1569
175	ESD300-300-90004	Y2-260M-4	90	2144	1108	478	6	250	2-650	1800	1210	530	550	500	900	840	20	6-∅26	792	575	1611
176	ESD300-435-160004	Y3-315L1.4	160	2536	1210	615	6	250	3-550	2150	1385	520	650	550	920	860	30	8-∅26	947	1000	2250
177	ESD300-435-200004	Y3-315L2.4	200	2536	1210	615	6	250	3-550	2150	1385	520	650	550	920	860	30	8-∅26	947	1080	2330
178	ESD300-435-250004	Y3-355M-4	250	2756	1210	615	6	250	3-630	2400	1525	520	650	550	920	860	30	8-∅26	947	1560	2844
179	ESD300-435-315004	Y3-355L-4	315	2756	1210	615	6	250	3-630	2400	1525	520	650	550	920	860	30	8-∅26	947	1730	2994
180	ESD300-435-355004	Y3-355-4	355	3136	1210	615	6	200	3-770	2700	1665	560	650	550	950	880	95	8-∅26	947	1900	3247

No	ESD		Motor(V)		Pump Dimensions(mm)															Weight(kg)		
	Model	Model	kw	L	L1	L2	L3	L4	n-L5	L6	H1	H2	A1	A2	Ø	B1	i	n1-d1	Pump	Motor	Total	
181	ESD300-435-400004	Y3-355-4	400	3136	1210	615	6	200	3-770	2700	1665	560	650	550	950	880	95	8-∅26	947	2000	3347	
182	ESD300-560-250004	Y2-355M-4	250	2936	1390	605	6	250	3-630	2400	1605	600	700	650	1200	1130	45	8-∅26	1301	1580	3305	
183	ESD300-560-315004	Y3-355L-4	315	2936	1390	605	6	250	3-630	2400	1605	600	700	650	1200	1130	45	8-∅26	1301	1730	3455	
184	ESD300-560-355004	Y3-355-4	355	3320	1390	605	6	200	4-600	2800	1725	600	700	650	1200	1130	95	8-∅26	1301	1900	3657	
185	ESD300-560-400004	Y3-355-4	400	3320	1390	605	6	200	4-600	2800	1725	600	700	650	1200	1130	95	8-∅26	1301	2000	3757	
186	ESD300-560-450004	Y3-355-4	450	3320	1390	605	6	200	4-600	2800	1725	600	700	650	1200	1130	95	8-∅26	1301	2200	3957	
187	ESD300-560-500004	Y3-400-4	500	3375	1390	605	6	200	4-600	2800	1810	600	700	650	1200	1130	95	8-∅26	1301	3000	4783	
188	ESD300-560-560004	Y3-400-4	560	3375	1390	605	6	200	4-600	2800	1810	600	700	650	1200	1130	95	8-∅26	1301	3200	4983	
189	ESD300-560-630004	Y3-400-4	630	3375	1390	605	6	200	4-600	2800	1810	600	700	650	1200	1130	95	8-∅26	1301	3400	5183	
190	ESD300-560-710004	Y3-450-4	710	3510	1390	605	6	200	4-600	2800	1880	600	700	650	1200	1130	95	8-∅26	1301	4000	5881	
191	ESD300-560-800004	Y3-450-4	800	3510	1390	605	6	200	4-600	2800	1880	600	700	650	1200	1130	95	8-∅26	1301	4200	6081	
192	ESD300-700-400004	Y3-355-4	400	3320	1390	605	6	200	4-600	2800	1765	590	750	650	1200	1130	95	8-∅26	1640	2000	4155	
193	ESD300-700-450004	Y3-355-4	450	3320	1390	605	6	200	4-600	2800	1765	590	750	650	1200	1130	95	8-∅26	1640	2200	4355	
194	ESD300-700-500004	Y3-400-4	500	3375	1390	605	6	200	4-600	2800	1850	590	750	650	1200	1130	95	8-∅26	1640	3000	5158	
195	ESD300-700-560004	Y3-400-4	560	3375	1390	605	6	200	4-600	2800	1850	590	750	650	1200	1130	95	8-∅26	1640	3200	5358	
196	ESD300-700-630004	Y3-400-4	630	3375	1390	605	6	200	4-600	2800	1850	590	750	650	1200	1130	95	8-∅26	1640	3400	5558	
197	ESD300-700-710004	Y3-450-4	710	3510	1390	605	6	200	4-600	2800	1920	590	750	650	1200	1130	95	8-∅26	1640	4000	6220	
198	ESD300-700-800004	Y3-400-4	800	3510	1390	605	6	200	4-600	2800	1920	590	750	650	1200	1130	95	8-∅26	1640	4200	6420	
199	ESD300-960-110004	Y3-315S-4	110	2491	1210	615	6	250	3-530	2100	1385	520	650	550	920	860	30	8-∅26	1077	820	2197	
200	ESD300-960-132004	Y3-315M-4	132	2536	1210	615	6	250	3-530	2100	1385	520	650	550	920	860	30	8-∅26	1077	930	2307	
201	ESD300-960-160004	Y3-315L1.4	160	2536	1210	615	6	250	3-550	2150	1385	520	650	550	920	860	30	8-∅26	1077	1000	2380	
202	ESD300-960-200004	Y3-315L2.4	200	2536	1210	615	6	250	3-550	2150	1385	520	650	550	920	860	30	8-∅26	1077	1080	2460	
203	ESD300-960-250004	Y3-315L2.4	250	2716	1390	605	6	250	3-630	2400	1505	590	750	650	1200	1130	45	8-∅26	1445	1080	2965	
204	ESD300-960-315004	Y3-355M-4	250	2936	1390	605	6	250	3-630	2400	1645	590	750	650	1200	1130	45	8-∅26	1445	1580	3401	
205	ESD300-960-315004	Y3-355L-4	315	2936	1390	605	6	250	3-630	2400	1645	590	750	650	1200	1130	45	8-∅26	1445	1730	3641	
206	ESD300-960-355004	Y3-355-4	355	3320	1390	605	6	200	4-600	2800	1765	590	750	650	1200	1130	95	8-∅26	1445	1900	3860	
207	ESD300-960-400004	Y3-355-4	400	3320	1390	605	6	200	4-600	2800	1765	590	750	650	1200	1130	95	8-∅26	1445	2000	3960	
208	ESD300-960-450004	Y3-355-4	450	3320	1390	605	6	200	4-600	2800	1765	590	750	650	1200	1130	95	8-∅26	1445	2200	4160	
209	ESD300-960-510-515004	355L-4	315	2936	1390	605	6	250	3-600	2300	1645	590	750	650	1200	1130	45	8-∅26	1456	1730	3652	
210	ESD300-960-510-515004	Y3-355-4	355	3320	1390	605	6	200	4-600	2800	1765	590	750	650	1200	1130	95	8-∅26	1456	1900	3871	
211	ESD300-960-510-400004	Y3-355-4	400	3320	1390	605	6	200	4-600	2800	1765	590	750	650	1200	1130	95	8-∅26	1456	2000	3971	
212	ESD300-960-510-450004	Y3-355-4	450	3320	1390	605	6	200	4-600	2800	1765	590	750	650	1200	1130	95	8-∅26	1456	2200	4171	
213	ESD300-960-510-500004	Y3-400-4	500	3375	1390	605	6	200	4-600	2800	1850	590	750	650	1200	1130	95	8-∅26	1456	3000	4974	
214	ESD300-960-510-560004	Y3-400-4	560	3375	1390	605	6	200	4-600	2800	1850	590	750	650	1200	1130	95	8-∅26	1456	3200	5174	
215	ESD300-960-630004	Y3-400-4	630	3375	1390	605	6	200	4-600	2800	1850	590	750	650	1200	1130	95	8-∅26	1456	3400	5374	
216	ESD300-960-710004	Y3-450-4	710	3510	1390	605	6	200	4-600	2800	1920	590	750	650	1200	1130	95	8-∅26	1456	4000	6038	
217	ESD300-960-800004	Y3-450-4	800	3510	1390	605	6	200	4-600	2800	1920	590	750	650	1200	1130	95	8-∅26	1456	4200	6238	
218	ESD300-960-875-450004	Y3-355-4	450	3446	1520	667	6	250	4-600	2900	1920	720	750	750	1300	1240	100	10-∅26	1900	2200	4669	
219	ESD300-960-875-500004	Y3-400-4	500	3501	1520	667	6	300	4-600	3000	2000	720	750	750	1300	1240	50	10-∅26	1900	3000	5472	
220	ESD300-960-875-560004	Y3-400-4	560	3501	1520	667	6	300	4-600	3000	2000	720	750	750	1300	1240	50	10-∅26	1900	3200	5672	
221	ESD300-960-875-630004	Y3-400-4	630	3501	1520	667	6	300	4-600	3000	2000	720	750	750	1300	1240	50	10-∅26	1900	3400	5872	
222	ESD300-960-875-710004	Y3-450-4	710	3636	1520	667	6	300	4-650	3200	2070	720	750	750	1300	1240	50	10-∅26	1900	4000	6540	
223	ESD300-960-875-800004	Y3-400-4	800	3636	1520	667	6	300	4-650	3200	2070	720	750	750	1300	1240	50	10-∅26	1900	4200	6740	

ESD Installation Dimensions(60HZ)





NO	ESD		Motor(V1)				Pump Dimensions(mm)											Weight(kg)			
	Model	Model	kw	L	L1	L2	L3	L4	n-L5	L6	H1	H2	A1	A2	B	B1	I	n1-d1	Pump	Motor	Total
1	ESD80-210-05504	Y2-132S-4	5.5	1199	685	300	4	200	600	1000	838	288	300	300	500	460	45	4-022	179	64	302
2	ESD80-210-07504	Y2-132M-4	7.5	1199	685	300	4	200	600	1000	838	288	300	300	500	460	45	4-022	179	77	315
3	ESD80-210-11004	Y2-160M-4	11	1294	685	300	4	200	700	1170	665	288	300	300	500	460	45	4-022	179	106	347
4	ESD80-210-15004	Y2-160L-4	15	1349	685	300	4	200	700	1170	665	288	300	300	500	460	45	4-022	179	128	367
5	ESD80-210-18504	Y2-180M-4	18.5	1379	685	300	4	250	700	1200	685	288	300	300	500	460	45	4-022	179	154	397
6	ESD80-210-45002	Y2-225M-2	45	1495	685	300	5	250	700	1200	750	288	300	300	500	460	45	4-022	179	280	533
7	ESD80-210-55002	Y2-250M-2	55	1600	685	300	5	200	2-450	1300	790	288	300	300	500	460	45	4-022	179	366	618
8	ESD80-210-75002	Y2-280S-2	75	1670	685	300	5	200	2-490	1480	805	288	300	300	500	460	45	4-022	179	475	732
9	ESD80-210-90002	Y2-280M-2	90	1720	685	300	5	200	2-490	1480	805	288	300	300	500	460	45	4-022	179	530	787
10	ESD80-210-110002	Y2-315S-2	110	1870	685	300	5	250	2-510	1565	950	298	300	300	640	800	95	6-022	179	850	1121
11	ESD80-210-132002	Y2-315M-2	132	1980	685	300	5	250	2-510	1565	950	298	300	300	640	800	95	6-022	179	930	1201
12	ESD80-270-11004	Y2-180M-4	11	1294	685	300	4	200	700	1170	665	288	300	300	500	460	45	4-022	200	108	368
13	ESD80-270-15004	Y2-180L-4	15	1349	685	300	4	200	700	1170	665	288	300	300	500	460	45	4-022	200	128	388
14	ESD80-270-18504	Y2-180M-4	18.5	1379	685	300	4	250	700	1200	685	288	300	300	500	460	45	4-022	200	154	418
15	ESD80-270-22004	Y2-180L-4	22	1405	685	300	4	250	700	1200	700	288	300	300	500	460	45	4-022	200	175	439
16	ESD80-270-30004	Y2-200L-4	30	1455	685	300	4	250	700	1200	730	288	300	300	500	460	45	4-022	200	235	497
17	ESD80-270-75002	Y2-280S-2	75	1670	685	300	5	200	2-490	1480	805	288	300	300	500	460	45	4-022	200	475	753
18	ESD80-270-90002	Y2-280M-2	90	1720	685	300	5	200	2-490	1480	805	288	300	300	500	460	45	4-022	200	530	808
19	ESD80-270-110002	Y2-315S-2	110	1870	685	300	5	250	2-510	1565	950	298	300	300	640	800	95	6-022	200	850	1142
20	ESD80-270-132002	Y2-315M-2	132	1980	685	300	5	250	2-510	1565	950	298	300	300	640	800	95	6-022	200	930	1222
21	ESD80-270-160002	Y2-315L-1,2	160	1980	685	300	5	250	2-510	1565	950	298	300	300	640	800	95	6-022	200	990	1283
22	ESD80-270-200002	Y2-315L-2,2	200	1980	685	300	5	250	2-510	1565	950	298	300	300	640	800	95	6-022	200	1030	1323
23	ESD80-370-18504	Y2-180M-4	18.5	1379	685	300	4	250	700	1200	685	288	300	300	500	460	45	4-022	200	154	427
24	ESD80-370-22004	Y2-180L-4	22	1405	685	300	4	250	700	1200	700	288	300	300	500	460	45	4-022	200	175	448
25	ESD80-370-30004	Y2-200L-4	30	1455	685	300	4	250	700	1200	730	288	300	300	500	460	45	4-022	200	235	506
26	ESD80-370-37004	Y2-225S-4	37	1499	685	300	4	250	700	1200	755	288	300	300	500	460	45	4-022	200	296	578
27	ESD80-370-45004	Y2-225M-4	45	1524	685	300	4	250	700	1200	755	288	300	300	500	460	45	4-022	200	280	583
28	ESD80-370-55004	Y2-250M-4	55	1599	685	300	4	200	2-450	1300	790	288	300	300	500	460	45	4-022	200	366	648
29	ESD100-250-11004	Y2-160M-4	11	1294	685	300	4	200	700	1170	705	295	330	330	560	520	45	4-022	200	106	383
30	ESD100-250-15004	Y2-160L-4	15	1349	685	300	4	200	700	1170	705	295	330	330	560	520	45	4-022	200	128	403
31	ESD100-250-18504	Y2-180M-4	18.5	1379	685	300	4	250	700	1200	725	295	330	330	560	520	45	4-022	200	154	432
32	ESD100-250-22004	Y2-180L-4	22	1414	685	300	4	250	700	1200	725	295	330	330	560	520	45	4-022	200	175	453
33	ESD100-250-30004	Y2-200L-4	30	1454	685	300	4	250	700	1250	765	295	330	330	560	520	45	4-022	200	235	512
34	ESD100-250-75002	Y2-280S-2	75	1670	685	300	5	250	2-490	1480	845	295	330	330	700	660	95	6-022	200	475	765
35	ESD100-250-90002	Y2-280M-2	90	1720	685	300	5	250	2-490	1480	845	295	330	330	700	660	95	6-022	200	530	820
36	ESD100-250-110002	Y2-315S-2	110	1870	685	300	5	250	2-550	1610	990	305	330	330	700	660	95	6-022	200	850	1151
37	ESD100-250-132002	Y2-315M-2	132	1980	685	300	5	250	2-550	1610	990	305	330	330	700	660	95	6-022	200	930	1231
38	ESD100-250-160002	Y2-315L-1,2	160	1980	685	300	5	250	2-550	1610	990	305	330	330	700	660	95	6-022	200	990	1292
39	ESD100-250-200002	Y2-315L-2,2	200	1980	685	300	5	250	2-550	1610	990	305	330	330	700	660	95	6-022	200	1030	1332
40	ESD100-310-22004	Y2-180L-4	22	1414	685	300	4	250	700	1200	725	295	330	330	560	520	45	4-022	257	175	501
41	ESD100-310-30004	Y2-200L-4	30	1454	685	300	4	250	700	1250	765	295	330	330	560	520	45	4-022	257	235	560
42	ESD100-310-37004	Y2-225S-4	37	1499	685	300	4	250	2-450	1300	795	295	330	330	560	520	45	4-022	257	296	626
43	ESD100-310-45004	Y2-225M-4	45	1524	685	300	4	200	2-450	1300	795	295	330	330	640	800	45	6-022	257	280	611
44	ESD100-310-55004	Y2-250M-4	55	1599	685	300	4	200	2-450	1355	830	295	330	330	700	660	45	6-022	257	366	701
45	ESD100-310-75004	Y2-280S-4	75	1669	685	300	4	250	2-490	1480	845	295	330	330	700	660	95	6-022	257	475	813
46	ESD100-375-37004	Y2-225S-4	37	1499	685	300	4	250	2-450	1300	795	295	330	330	560	520	45	6-022	245	295	614
47	ESD100-375-45004	Y2-225M-4	45	1525	685	300	5	200	2-450	1300	795	295	330	330	640	800	45	6-022	245	306	625
48	ESD100-375-55004	Y2-250M-4	55	1600	685	300	5	200	2-450	1355	830	295	330	330	700	660	45	6-022	245	375	698
49	ESD100-375-75004	Y2-280S-4	75	1670	685	300	5	200	2-490	1480	845	295	330	330	700	660	95	6-022	245	533	859
50	ESD100-375-90004	Y2-280M-4	90	1720	685	300	5	250	2-490	1480	845	295	330	330	700	660	95	6-022	245	575	901
51	ESD125-290-15004	Y2-180L-4	15	1514	850	365	4	250	800	1300	790	350	370	370	650	600	55	6-022	309	128	560
52	ESD125-290-18504	Y2-180M-4	18.5	1544	850	365	4	200	2-500	1400	810	350	370	370	650	600	55	6-022	309	154	591
53	ESD125-290-22004	Y2-180L-4	22	1579	850	365	4	200	2-500	1400	810	350	370	370	650	600	55	6-022	309	175	612
54	ESD125-290-30004	Y2-200L-4	30	1619	850	365	4	200	2-500	1450	850	350	370	370	650	600	55	6-022	309	200	640
55	ESD125-290-37004	Y2-225S-4	37	1619	850	365	4	200	2-500	1450	850	350	370	370	650	600	55	6-022	309	295	735
56	ESD125-290-45004	Y2-280M-2	45	1685	850	365	5	250	2-600	1700	930	350	370	370	750	700	5	6-022	309	530	967
57	ESD125-290-55004	Y2-315S-2	110	2035	850	365	5	250	2-650	1800	1065	350	370	370	750	700	5	6-022	309	850	1325
58	ESD125-290-75004	Y2-315M-2	132	2145	850	365	5	250	2-650	1800	1065	350	370	370	750	700	5	6-022	309	930	1405
59	ESD125-290-100004	Y2-315L-1,2	160	2145	850	365	5	250	2-650	1800	1065	350	370	370	750	700	5	6-022	309	990	1486
60	ESD125-290-200004	Y2-315L-2,2	200	2145	850	365	5	250	2-650	1800	1065	350	370	370	750	700	5	6-022	309	1030	1506
61	ESD125-290-250004	Y2-355M-2	250	2365	850	365	5														



83	ESD125-500-132004	Y2-315M-4	132	2175	850	365	5	250	2-680	1800	1065	350	450	450	750	700	5	6-022	414	960	1540
84	ESD125-500-160004	Y2-315L1-4	160	2175	850	365	5	250	2-650	1800	1065	350	450	450	750	700	5	6-022	414	1000	1581
85	ESD125-500-200004	Y2-315L2-4	200	2175	850	365	5	250	2-650	1800	1065	350	450	450	750	700	5	6-022	414	1080	1661
86	ESD125-500-250004	Y2-355M-4	250	2395	850	365	5	300	2-700	2090	1215	360	450	450	750	700	5	6-022	414	1580	2179
87	ESD150-290-37004	Y2-200L-4	30	1619	850	365	4	200	2-500	1450	850	340	370	370	650	600	5	6-022	323	235	689
88	ESD150-290-37004	Y2-225S-4	37	1619	850	365	4	200	2-500	1450	850	340	370	370	650	600	5	6-022	323	295	749
89	ESD150-290-45004	Y2-225M-4	45	1689	850	365	4	200	2-550	1500	875	340	370	370	650	600	5	6-022	323	306	761
90	ESD150-290-55004	Y2-250M-4	55	1764	850	365	4	200	2-550	1580	915	340	370	370	710	660	5	6-022	323	375	837
91	ESD150-290-75004	Y2-280S-4	75	1764	850	365	4	200	2-550	1580	930	340	370	370	750	700	5	6-022	323	533	1004
92	ESD150-360-45004	Y2-225M-4	45	1689	850	365	4	200	2-550	1500	875	350	370	370	650	600	5	6-022	350	306	788
93	ESD150-360-55004	Y2-250M-4	55	1764	850	365	4	200	2-580	1580	915	350	370	370	710	660	5	6-022	350	375	864
94	ESD150-360-75004	Y2-280S-4	75	1764	850	365	4	200	2-550	1580	930	350	370	370	750	700	5	6-022	350	533	1031
95	ESD150-360-90004	Y2-280M-4	90	1884	850	365	4	200	2-550	1580	930	350	370	370	750	700	5	6-022	350	575	1073
96	ESD150-360-110004	Y2-315S-4	110	2130	850	365	4	250	2-600	1800	1065	350	370	370	750	700	5	6-022	350	850	1366
97	ESD150-360-132004	Y2-315M-4	132	2175	850	365	4	250	2-650	1800	1065	350	370	370	750	700	5	6-022	350	930	1446
98	ESD150-460-75004	Y2-280S-4	75	1908	920	400	5	250	2-600	1750	955	375	450	450	750	700	5	6-024	418	533	1127
99	ESD150-460-90004	Y2-280M-4	90	1959	920	400	5	250	2-600	1750	955	375	450	450	750	700	5	6-024	418	575	1169
100	ESD150-460-110004	Y2-315S-4	110	2200	920	400	5	250	2-700	1900	1090	375	450	450	750	700	5	6-024	418	820	1437
101	ESD150-460-132004	Y2-315M-4	132	2245	920	400	5	250	2-700	1900	1090	375	450	450	750	700	5	6-024	418	960	1577
102	ESD150-460-160004	Y2-315L1-4	160	2245	920	400	5	250	3-500	1950	1090	375	450	450	750	700	5	6-024	418	1000	1620
103	ESD150-460-200004	Y2-315L2-4	200	2245	920	400	5	250	3-500	1950	1090	375	450	450	750	700	5	6-024	418	1080	1700
104	ESD150-460-250004	Y2-355M-4	250	2465	920	400	5	250	3-500	2050	1230	375	450	450	850	800	5	6-024	418	1580	2236
105	ESD150-605-160004	Y2-315L1-4	160	2245	920	400	5	250	3-500	1950	1190	375	600	500	900	840	5	6-024	755	1000	1990
106	ESD150-605-200004	Y2-315L2-4	200	2245	920	400	5	250	3-500	1950	1190	375	600	500	900	840	5	6-024	755	1080	2070
107	ESD150-605-250004	Y2-355M-4	250	2465	920	400	5	250	3-500	2050	1330	375	600	500	900	840	5	6-024	755	1580	2573
108	ESD150-605-315004	Y2-355L1-4	315	2465	920	400	5	250	3-500	2050	1330	375	600	500	900	840	5	6-024	755	1730	2723
109	ESD150-605-355004	Y3-355-4	355	2845	920	400	5	200	3-670	2400	1450	375	600	500	900	840	5	6-024	755	1900	3050
110	ESD150-605-400004	Y3-355-4	400	2845	920	400	5	200	3-670	2400	1450	375	600	500	900	840	5	6-024	755	2000	3150
111	ESD150-605-450004	Y3-355-4	450	2845	920	400	5	200	3-670	2400	1450	375	600	500	900	840	5	6-024	755	2200	3350
112	ESD200-320-55004	Y2-250M-4	55	1635	920	400	5	250	2-630	1580	1040	435	450	450	750	700	5	6-024	506	375	1059
113	ESD200-320-75004	Y2-280S-4	75	1695	920	400	5	250	2-650	1750	1055	435	450	450	750	700	5	6-024	506	533	1227
114	ESD200-320-90004	Y2-280M-4	90	1655	920	400	5	250	2-650	1750	1085	435	450	450	750	700	5	6-024	506	575	1269
115	ESD200-320-110004	Y2-315S-4	110	2200	920	400	5	250	2-650	1850	1190	435	450	450	750	700	5	6-024	506	820	1537
116	ESD200-320-132004	Y2-315M-4	132	2245	920	400	5	250	2-650	1850	1190	435	450	450	750	700	5	6-024	506	960	1677
117	ESD200-420-75004	Y2-280S-4	75	1905	920	400	5	250	2-650	1750	1055	435	450	450	750	700	5	6-024	551	533	1272
118	ESD200-420-90004	Y2-280M-4	90	1955	920	400	5	250	2-650	1750	1085	435	450	450	750	700	5	6-024	551	575	1314
119	ESD200-420-110004	Y2-315S-4	110	2200	920	400	5	250	2-650	1850	1190	435	450	450	750	700	5	6-024	551	820	1582
120	ESD200-420-132004	Y2-315M-4	132	2245	920	400	5	250	2-650	1850	1190	435	450	450	750	700	5	6-024	551	960	1722
121	ESD200-420-160004	Y2-315L1-4	160	2245	920	400	5	250	3-600	1950	1190	435	450	450	750	700	5	6-024	551	1000	1767

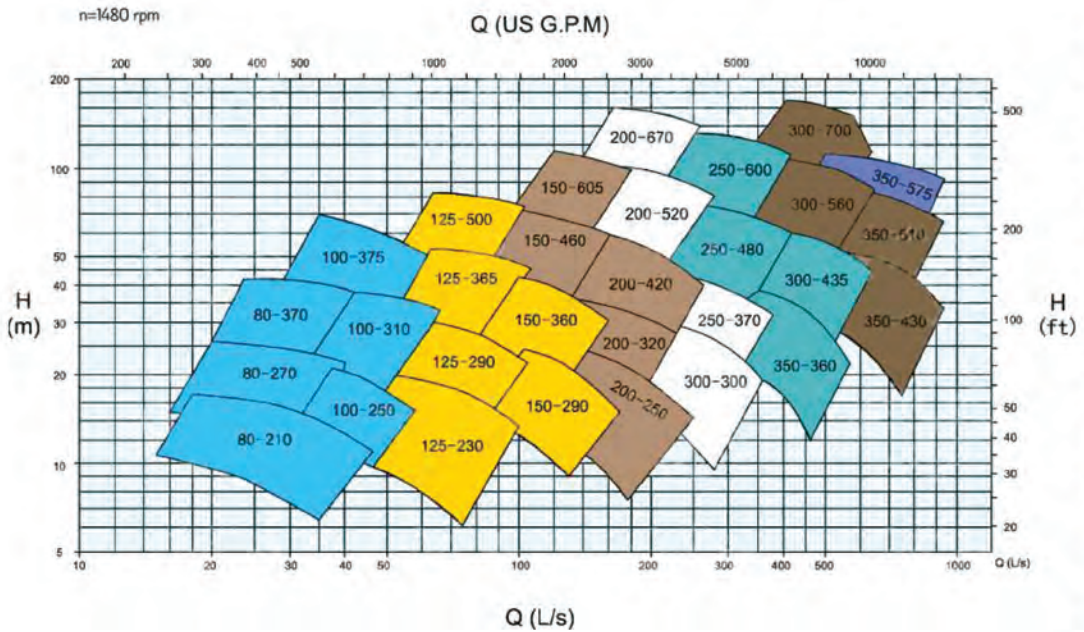
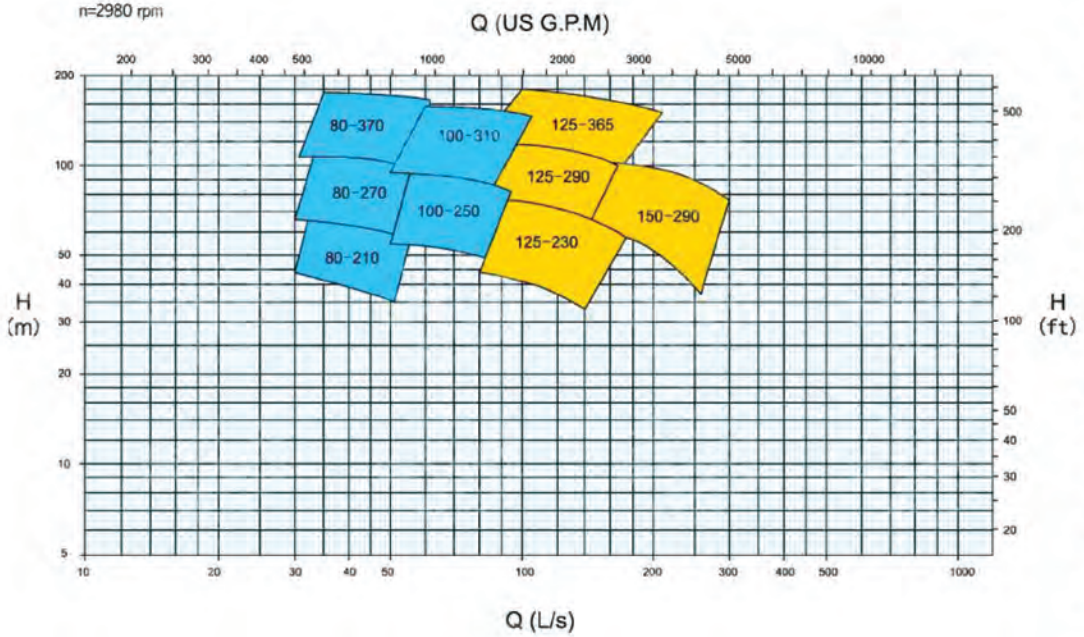
NO	ESD		Motor(V1)		Pump Dimensions(mm)														Weight(kg)		
	Model	Model	kw	L	L1	L2	L3	L4	n-15	L6	H1	H2	A1	A2	B	B1	i	n1-01	Pump	Motor	Total
122	ESD200-420-200004	Y2-315L2-4	200	2245	920	400	5	250	3-500	1950	1190	435	450	450	750	700	5	6-024	551	1080	1847
123	ESD200-420-250004	Y2-355M-4	250	2465	920	400	5	250	3-500	2100	1190	435	450	450	850	800	5	6-024	551	1580	2369
124	ESD200-520-160004	Y2-315L1-4	160	2434	1108	479	6	250	3-650	2100	1275	460	600	500	900	840	5	6-024	700	1000	1989
125	ESD200-520-200004	Y2-315L2-4	200	2434	1108	479	6	250	3-650	2100	1275	460	600	500	900	840	5	6-024	700	1080	2069
126	ESD200-520-250004	Y2-355M-4	250	2654	1108	479	6	250	3-670	2200	1415	460	600	500	900	840	5	6-024	700	1580	2570
127	ESD200-520-315004	Y2-355L1-4	315	2654	1108	479	6	250	3-670	2200	1415	460	600	500	900	840	5	6-024	700	1730	2720
128	ESD200-520-355004	Y3-355-4	355	3034	1108	479	6	200	3-770	2700	1535	460	600	500	900	840	5	6-024	700	1900	2995
129	ESD200-520-400004	Y3-355-4	400	3034	1108	479	6	200	3-770	2700	1535	460	600	500	900	840	5	6-024	700	2000	3095
130	ESD200-520-450004	Y3-355-4	450	3034	1108	479	6	200	3-770	2700	1535	460	600	500	900	840	5	6-024	700	2200	3295
131	ESD250-370-110004	Y2-315S-4	110	2389	1108	479	6	250	3-500	1980	1295	480	500	500	850	890	20	6-024	719	820	1791
132	ESD250-370-132004	Y2-315M-4	132	2434	1108	479	6	250	3-500	1980	1295	480	500	500	850	890	20	6-024	719	960	1931
133	ESD250-370-160004	Y2-315L1-4	160	2434	1108	479	6	250	3-500	2030	1295	480	500	500	850	890	20	6-024	719	1000	1975
134	ESD250-370-200004	Y2-315L2-4	200	2434	1108	479	6	250	3-500	2030	1295	480	500	500	850	890	20	6-024	719	1080	2055
135	ESD250-370-250004	Y2-355M-4	250	2654	1108	479	6	250	3-570	2200	1435	480	500	500	850	890	20	6-024	719	1580	2561
136	ESD250-370-315004	Y2-355L1-4	315	2654	1108	479	6	250	3-570	2200	1435	480	500	500	850	890	20	6-024	719	1730	2711
137	ESD250-480-200004	Y2-315L1-4	200	2536	1210	515	6	250	3-550	2150	1295	450	550	550	950	890	40	6-024	906	1080	2247
138	ESD250-480-250004	Y2-355M-4	250	2756	1210	515	6	250	3-600	2350	1435	450	550	550	950	890	40	6-024	906	1580	2754
139	ESD250-480-315004	Y2-355L1-4	315	2756	1210	515	6	250	3-600	2350	1435	450	550	550	950	890	40	6-024	906	1730	2904
140	ESD250-480-355004	Y3-355-4	355	3136	1210	515	6	250	3-770	2700	1555	450	550	550	950	890	40	6-024	906	1900	3101
141	ESD250-480-400004	Y3-355-4	400	3136	1210	515	6	250	3-770	2700	1555	450	550	550	950	890	40	6-024	90		



168	ESD300-560-800004	Y3-450-4	800	3510	1390	605	6	200	4-600	2800	1880	600	700	850	1200	1130	95	8-026	1301	4200	6061
169	ESD350-360-200004	Y2-315L2-4	200	2536	1210	515	6	250	3-550	2150	1385	520	650	550	920	860	30	8-026	1077	1080	2460
170	ESD350-360-250004	Y2-355M-4	250	2756	1210	515	6	250	3-630	2400	1525	520	650	550	920	860	30	8-026	1077	1580	2974
171	ESD350-360-315004	Y2-355L-4	315	2756	1210	515	6	250	3-630	2400	1525	520	650	550	920	860	30	8-026	1077	1730	3124
172	ESD350-360-355004	Y3-355-4	355	3136	1210	515	6	200	3-770	2700	1685	560	650	550	950	880	95	8-026	1077	1900	3377
173	ESD350-430-355004	Y3-355-4	355	3320	1390	605	6	200	4-600	2800	1765	590	750	650	1200	1130	95	8-026	1445	1900	3860
174	ESD350-430-400004	Y3-355-4	400	3320	1390	605	6	200	4-600	2800	1765	590	750	650	1200	1130	95	8-026	1445	2000	3960
175	ESD350-430-450004	Y3-355-4	450	3320	1390	605	6	200	4-600	2800	1765	590	750	650	1200	1130	95	8-026	1445	2200	4160
176	ESD350-430-500004	Y3-400-4	500	3375	1390	605	6	200	4-600	2800	1850	590	750	650	1200	1130	95	8-026	1445	3000	4963
177	ESD350-430-560004	Y3-400-4	560	3375	1390	605	6	200	4-600	2800	1850	590	750	650	1200	1130	95	8-026	1445	3200	5163
178	ESD350-430-630004	Y3-400-4	630	3375	1390	605	6	200	4-600	2800	1850	590	750	650	1200	1130	95	8-026	1445	3400	5363
179	ESD350-430-710004	Y3-450-4	710	3510	1390	605	6	200	4-600	2800	1920	590	750	650	1200	1130	95	8-026	1445	4000	6025
180	ESD350-430-800004	Y3-450-4	800	3510	1390	605	6	200	4-600	2800	1920	590	750	650	1200	1130	95	8-026	1445	4200	6225
181	ESD350-510-500004	Y3-400-4	500	3375	1390	605	6	200	4-600	2800	1850	590	750	650	1200	1130	95	8-026	1456	3000	4974
182	ESD350-510-560004	Y3-400-4	560	3375	1390	605	6	200	4-600	2800	1850	590	750	650	1200	1130	95	8-026	1456	3200	5174
183	ESD350-510-630004	Y3-400-4	630	3375	1390	605	6	200	4-600	2800	1850	590	750	650	1200	1130	95	8-026	1456	3400	5374
184	ESD350-510-710004	Y3-450-4	710	3510	1390	605	6	200	4-600	2800	1920	590	750	650	1200	1130	95	8-026	1456	4000	6036
185	ESD350-510-800004	Y3-450-4	800	3510	1390	605	6	200	4-600	2800	1920	590	750	650	1200	1130	95	8-026	1456	4200	6236
186	ESD350-575-710004	Y3-450-4	710	3636	1520	667	6	300	4-650	3200	2070	720	750	750	1300	1240	50	10-026	1900	4000	6540
187	ESD350-575-800004	Y3-400-4	800	3636	1520	667	6	300	4-650	3200	2070	720	750	750	1300	1240	50	10-026	1900	4200	6740



ES Series-50Hz Performance





ES Series-60Hz Performance

