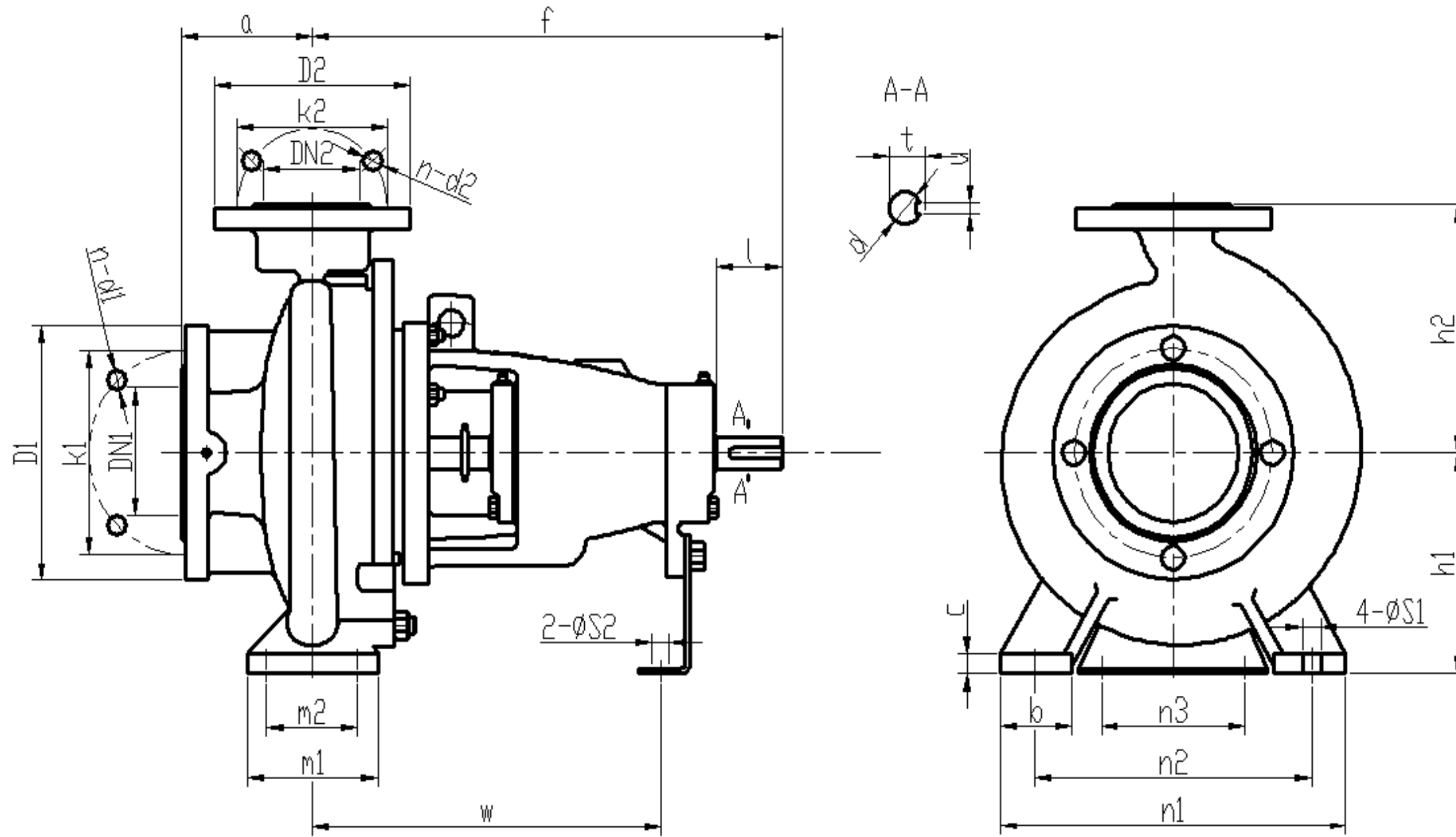


EA Series Installation Dimension list



Flange standard: ISO7005.2 DIN2501 PN16 GB/T17241.6 PN1.6													
DN1/DN2	32	40	50	65	80	100	125	150	200	250	300	350	400
D1/D2	140	150	165	185	200	220	250	285	340	405	460	520	580
K1/K2	100	110	125	145	160	180	210	240	295	355	410	470	525
n-d1/ n-d2	4- ϕ 18	4- ϕ 18	4- ϕ 18	4- ϕ 18	8- ϕ 18	8- ϕ 18	8- ϕ 18	8- ϕ 22	12- ϕ 22	12- ϕ 26	12- ϕ 26	16- ϕ 26	16- ϕ 30

Model	Bearing Inner Dia	DN2	DN1	a	f	h1	h2	b	c	n3	m1	m2	n1	n2	S1	S2	w	d	l	t	u	Weight (kg)
EA80/32G	45	80	100	125	526	250	315	80	16	110	160	120	400	315	18	14	367	42	110	45	12	130