



**GOL PUMPS
TECHNOLOGY INC**

SPC series Coolant Pump

50HZ/60HZ





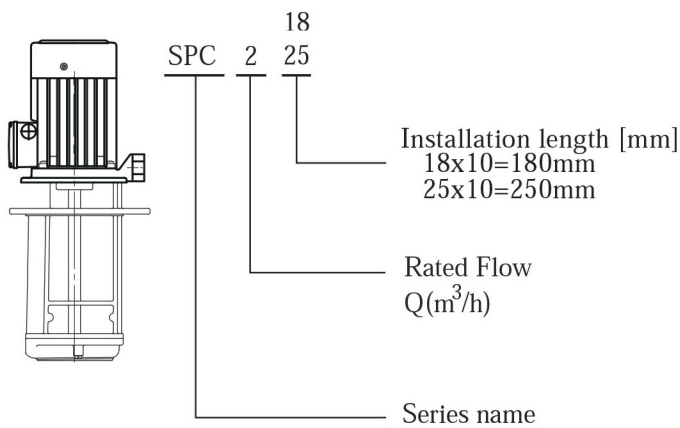
Applications

The SPC coolant pump is co-axial pump/motor design to processing-material cooling device such as milling, drilling, cutting, grinding these widely machine tools, it is suitable to deliver coolant, light oil and all kind non-aggressive liquids.

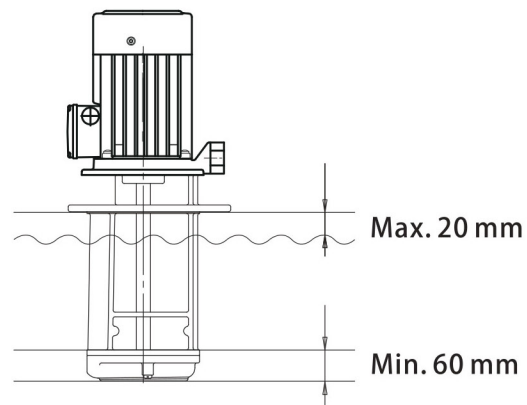
Pump Construction

The pump is one-chamber vertical centrifugal pump, co-axial pump/ motor design, impellers mounted on extended motor shaft.

Model code



Installation



Motor

Frequency: 50 / 60 Hz

Insulation Class: F class

Enclosure Protection Class: IP 54

Nominal Speed: 2900 / 3500 RPM

Standard Voltages: 3Ø 50Hz: 220-240V / 380-415V
3Ø 60Hz: 220-255V / 380-440V

Operation Conditions

Liquid Temperature Range: +0°C ~ +90°C

Ambient Temperature: Max. +40°C

Operating Pressure: Max. 10kg/cm²

Liquid viscosity: 1~32 cSt

Power: 50Hz: 170W~770W
60Hz: 305W~1160W

50Hz: Head Up to 12M

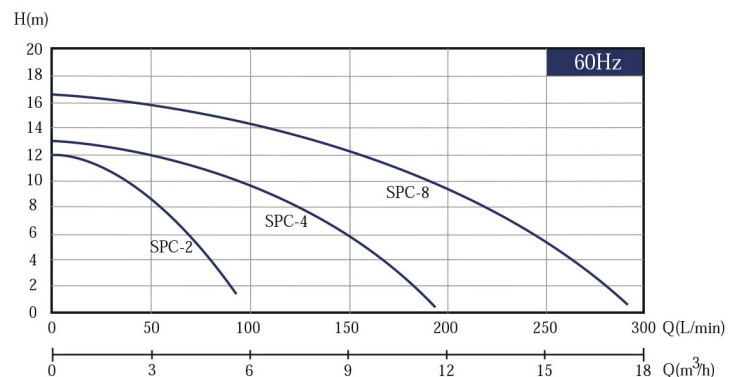
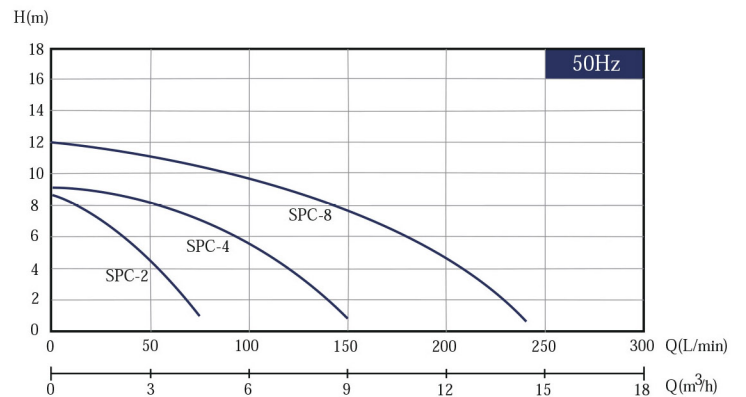
Flow Up to 245 L/min

60Hz: Head Up to 16.5M

Flow Up to 290 L/min

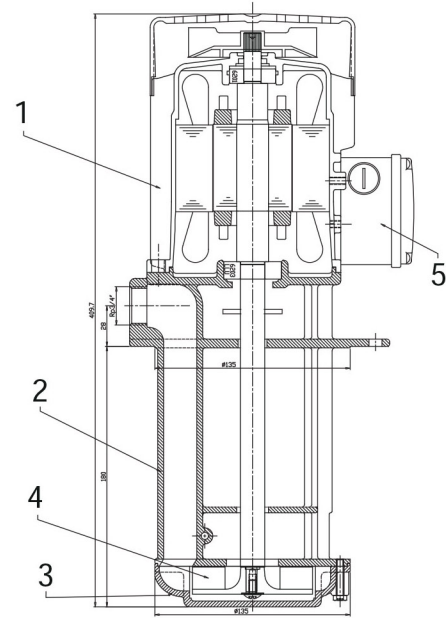
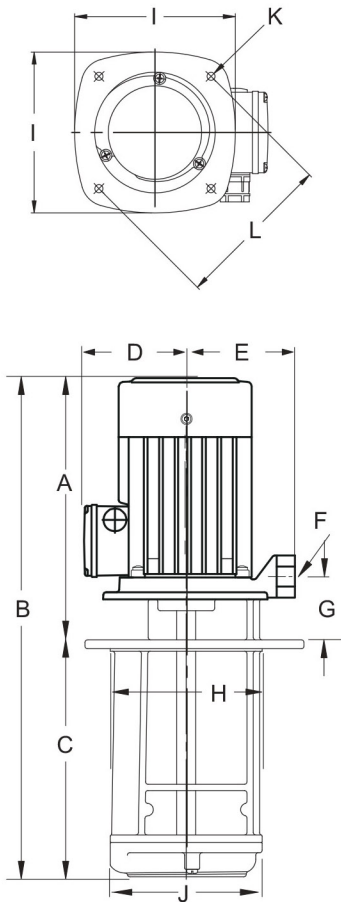
Outlet: 1/2"~1"

Performance Curves






Dimensions



No.	Component	Material
1	Motor	ADC12
2	Pump	FC20
3	Pump cover	FC20
4	Impeller	NYLON
5	Wiring box	ABS

Model	Dimension (mm)												Weight (kg)	Units/Pallet 	Pallet dimension
	A	B	C	D	E	F	G	H	I	J	K	L			L x W x H (cm)
SPC 2-18	185	365	180	115	85	RP1/2"	21	110	160	120	4*ø8	PCD 158	9.5	50	100 x 100 x 167
SPC 2-25	185	435	250	115	85	RP1/2"	21	110	160	120	4*ø8	PCD 158			100 x 100 x 167
SPC 4-18	225	405	180	115	90	RP3/4"	25	120	170	135	4*ø8	PCD 170			110 x 110 x 167
SPC 4-25	225	475	250	115	90	RP3/4"	25	120	170	135	4*ø8	PCD 170			110 x 110 x 167
SPC 8-18	270	450	180	115	95	RP1"	30	130	190	150	4*ø8	PCD 185			105 x 110 x 123
SPC 8-25	270	520	250	115	95	RP1"	30	130	190	150	4*ø8	PCD 185			15.2

Specifications

Model	Phase	Power	Frequency	Discharge	Head (M)	Flow (L/min)	Voltage		Max.Amp	
		(W)	(HZ)	(inch)	50HZ / 60HZ	50HZ / 60HZ	50HZ	60HZ	50HZ	60HZ
SPC 2-18	3ø	170/305	50/60	1/2"	8.5 / 12	75/90	220~240/380~415V	220~255/380~440V	0.8-0.9/0.49-0.53	0.9-1.0/0.5-0.55
SPC 2-25		170/305		1/2"	8.5 / 12	75/90	220~240/380~415V	220~255/380~440V	0.8-0.9/0.49-0.53	0.9-1.0/0.5-0.55
SPC 4-18		405/650		3/4"	9 / 13	150/190	220~240/380~415V	220~255/380~440V	1.5-1.6/0.8-1.0	1.9-2.1/1.0-1.1
SPC 4-25		405/650		3/4"	9 / 13	150/190	220~240/380~415V	220~255/380~440V	1.5-1.6/0.8-1.0	1.9-2.1/1.0-1.1
SPC 8-18		770/1160		1"	12 / 16.5	240/290	220~240/380~415V	220~255/380~440V	2.9-3.0/1.7-1.9	3.4-3.5/1.9-2.1
SPC 8-25		770/1160		1"	12 / 16.5	240/290	220~240/380~415V	220~255/380~440V	2.9-3.0/1.7-1.9	3.4-3.5/1.9-2.1



GOL PUMPS TECHNOLOGY INC

6520 NW 77th CT , Miami FL 33166

Ph: +1 (786) 615 8984

Fax: +1 (786) 615 7043

Info@golpumps.com

www.golpumps.com