



**GOL PUMPS  
TECHNOLOGY INC**

**SB, SBI, SBN 1, 3, 5, 10, 15, 20, 32, 45, 64, 90, 120, 150 series**

**Vertical Multistage Centrifugal  
In-line Pumps**

**60Hz**





<b>page</b>	<b>General data</b>
1	SB, SBI, SBN Performance range at 60Hz
2	Product data
3	Product data
4	Pump, Application
5	Identification Code, Nameplate information
6	Mechanical Seal , Minimum inlet pressure - NPSHA
7	Motor Data
8	Max. Operating Pressure and Inlet Pressures
9	Pumped Liquids
11	Construction

<b>page</b>	<b>Performance curves / Technical data</b>
14	SB, SBI, SBN 1
18	SB, SBI, SBN 3
22	SB, SBI, SBN 5
26	SB, SBI, SBN 10
30	SB, SBI, SBN 15
34	SB, SBI, SBN 20
38	SB, SBI, SBN 32
42	SB, SBI, SBN 45
46	SB, SBI, SBN 64
50	SB, SBI, SBN 90
52	SB, SBI, SBN 120
54	SB, SBI, SBN 150
56	Accessories - Pipework connections

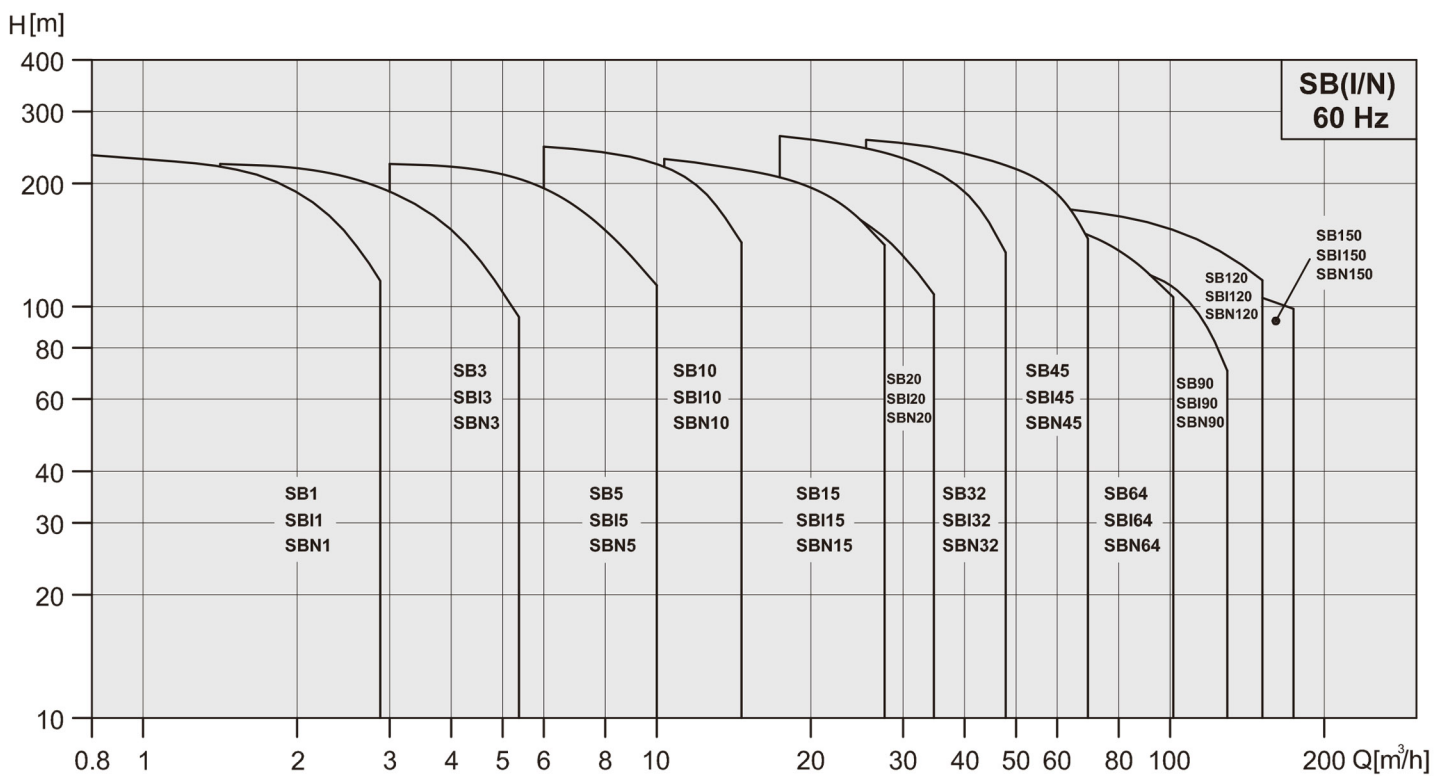


# Performance range

Vertical Multistage Centrifugal In-line Pumps



## SB, SBI, SBN Series Performance range 60 Hz



# Product data

Vertical Multistage Centrifugal In-line Pumps



## Product data

Range	SB, SBI, SBN					
	1	3	5	10	15	20
<b>60Hz</b>						
Nominal flow [ m <sup>3</sup> /h ]	1.2	3.6	6	12	18	24
Flow range [ m <sup>3</sup> /h ]	0.8-2.9	1.5-5.4	3-10	6-15.5	10.5-28	12.5-35
Max. pressure [ bar ]	23.5	23.3	23	24.5	23.5	20.5
Fluid temperature [ °C ]	-15 to +120					
Motor power [ kW ]	0.37-3.0	0.37-4.0	0.55-7.5	0.75-11	1.5-18.5	2.2-18.5
<b>Version</b>						
SB: Cast iron and stainless steel EN 1.4301/AISI 304	●	●	●	●	●	●
SBI: Stainless steel EN 1.4301/AISI 304	●	●	●	●	●	●
SBN: Stainless steel EN 1.4401/AISI 316	●	●	●	●	●	●
<b>Motor</b>						
<b>Mains connection 1- [ V/Hz ]</b> (Permissible voltage tolerance ± 10%)	0.37 - 0.75 kW 110 / 220 V 1.1 - 2.2 kW 220 - 240 V					
<b>Mains connection 3- [ V/Hz ]</b> (Permissible voltage tolerance ± 10%)	0.37 - 1.1 kW 220-255 V / 380-440 V 1.5 - 2.2 kW 220-277 V / 380-480 V 3 -18.5 kW 220-277 V / 380-480 V 3 -18.5 kW 380-480 V / 660-830 V					
Insulation class	F					
Enclosure class	IP 55					
Ambient temperature	50°C					
<b>SB, SBI, SBN Pipe Connection</b>						
Flange	DN 25/ DN 32	DN 25/ DN 32	DN 25/ DN 32	DN 40	DN 50	DN 50
<b>Oval Flange</b>	<b>NPT 1"</b>	<b>NPT 1"</b>	<b>NPT 1 ¼"</b>	<b>NPT 1 ½"</b>	<b>NPT 2 "</b>	<b>NPT 2 "</b>
<b>SBI, SBN Pipe Connection</b>						
Victaulic-connections	R 1 ¼	R 1 ¼	R 1 ¼	R 2	R 2	R 2
<b>Mechanical Seals</b>						
SiC/SiC	Standard					
<b>Seals</b>						
EPDM	Standard					
Viton						

\* Flange standards : Refer to dimensional drawings

# Product data

Vertical Multistage Centrifugal In-line Pumps



## Product data

Range	SB, SBI, SBN					
	1	3	5	10	15	20
<b>60Hz</b>						
Nominal flow [ m <sup>3</sup> /h ]	1.2	3.6	6	12	18	24
Flow range [ m <sup>3</sup> /h ]	0.8-2.9	1.5-5.4	3-10	6-15.5	10.5-28	12.5-35
Max. pressure [ bar ]	23.5	23.3	23	24.5	23.5	20.5
Fluid temperature [ °C ]	-15 to +120					
Motor power [ kW ]	0.37-3.0	0.37-4.0	0.55-7.5	0.75-11	1.5-18.5	2.2-18.5
<b>Version</b>						
SB: Cast iron and stainless steel EN 1.4301/AISI 304	●	●	●	●	●	●
SBI: Stainless steel EN 1.4301/AISI 304	●	●	●	●	●	●
SBN: Stainless steel EN 1.4401/AISI 316	●	●	●	●	●	●
<b>Motor</b>						
<b>Mains connection 1- [ V/Hz ]</b> (Permissible voltage tolerance ± 10%)	0.37 - 0.75 kW 110 / 220 V 1.1 - 2.2 kW 220 - 240 V					
<b>Mains connection 3- [ V/Hz ]</b> (Permissible voltage tolerance ± 10%)	0.37 - 1.1 kW 220-255 V / 380-440 V 1.5 - 2.2 kW 220-277 V / 380-480 V 3 -18.5 kW 220-277 V / 380-480 V 3 -18.5 kW 380-480 V / 660-830 V					
Insulation class	F					
Enclosure class	IP 55					
Ambient temperature	50°C					
<b>SB, SBI, SBN Pipe Connection</b>						
Flange	DN 25/ DN 32	DN 25/ DN 32	DN 25/ DN 32	DN 40	DN 50	DN 50
<b>Oval Flange</b>	<b>NPT 1"</b>	<b>NPT 1"</b>	<b>NPT 1 ¼"</b>	<b>NPT 1 ½"</b>	<b>NPT 2 "</b>	<b>NPT 2 "</b>
<b>SBI, SBN Pipe Connection</b>						
Victaulic-connections	R 1 ¼	R 1 ¼	R 1 ¼	R 2	R 2	R 2
<b>Mechanical Seals</b>						
SiC/SiC	Standard					
<b>Seals</b>						
EPDM	Standard					
Viton						

\* Flange standards : Refer to dimensional drawings

# Product data

Vertical Multistage Centrifugal In-line Pumps



## Pump



The SB, SBI and SBN pumps are non-self priming vertical multistage pump of in-line design, flange or with Victaulic coupling with equally sized suction and discharge ports. Stage construction with stainless steel impellers, chambers and pressure casing. Pump stub shaft and motor shaft of the IEC-standards motor are directly close coupled. All pumps are equipped with a cartridge type mechanical seal for easy maintenance.

SB, SBI and SBN pumps have different pump sizes and various numbers of stages to provide the flow and the pressure required.

## Applications

### WATER SUPPLY AND PRESSURE BOOSTING

Pressure boosting in buildings, hotels, residential complexes  
Pressure booster stations, supply of water networks  
Pressure boosting for industrial water supply

### IRRIGATION AND AGRICULTURE

Greenhouses  
Sprinkler irrigation  
Field irrigation (flooding)

### LIGHT INDUSTRY

Washing and cleaning systems  
Car washing facilities  
Fire fighting systems  
Process water systems  
Machine tools (cooling lubricants)

### WATER TREATMENT

Water softeners and de-mineralization  
Reverse Osmosis systems  
Distillation systems  
Filtration  
Ultra-filtration systems

### HEATING, VENTILATION AND AIR-CONDITIONING

Boilers  
Induction heating  
Heat exchangers  
Refrigerators  
Cooling towers and systems  
Temperature control systems



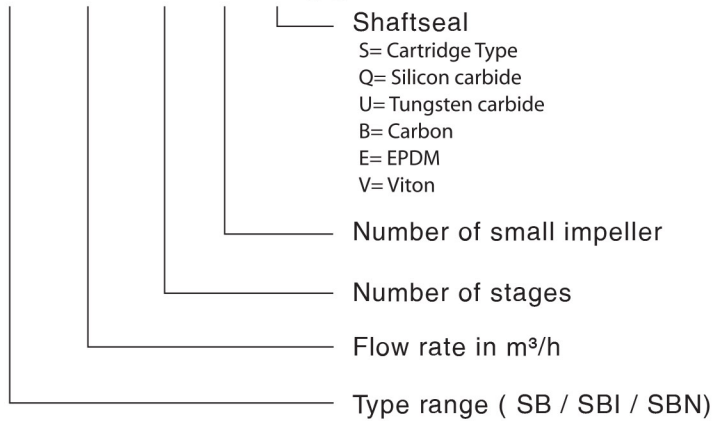
# Product data

Vertical Multistage Centrifugal In-line Pumps



## Identification Code

**SB - 10 - 5 - 1 - S Q Q E**



## Pump nameplate information

Type	①				
Model	②				
f	③	Hz	P2	④	kW
n	⑤	min <sup>-1</sup>	H <sub>max</sub>	⑥	m
Q	⑦	m <sup>3</sup> /h	H	⑧	m
p <sub>max</sub> /t <sub>max</sub>	⑨		bar/°C	⤵	⑩
Serial No.	⑪				

**CE**

- ① Pump Type-Seal Type
- ② Pump Model
- ③ Frequency
- ④ Rated Power
- ⑤ Speed
- ⑥ Maximum Head
- ⑦ Capacity
- ⑧ Head Range
- ⑨ Max. Operating Pressure / Max. temperature
- ⑩ Rotating Direction
- ⑪ Serial number

## Motor nameplate information

STAIRS ① INDUCTION MOTOR 						
TYPE	②	FR.	③	POLES 2	IEC 60034	
OUTPUT	④	HP	kW	RATING CONT. INS.	⑤	IP ⑥
⑦ Hz	Δ	⑧	V	⑨	A	E.F.F.% ⑩
	Y		V		A	rpm ⑪
BEARINGS	⑫			WEIGHT	kg	
SER.NO.	⑬			DATE		

- ① Phase
- ② Motor Model
- ③ Frame
- ④ Rated Power
- ⑤ Insulation
- ⑥ International Protection
- ⑦ Frequency
- ⑧ Voltage
- ⑨ Ampere
- ⑩ Efficiency
- ⑪ Revolutions Per Minute
- ⑫ Bearing type
- ⑬ Serial number

# Product data

Vertical Multistage Centrifugal In-line Pumps



## Mechanical Seal

Standard Cartridge type mechanical seal made of Silicon Carbide/Silicon Carbide/EPDM or Viton. Based on the type of application, alternative materials are available for the seal and the elastomers. The cartridge type mechanical seal can be replaced in minutes without special tools and without dismantling the pump.



## List of Materials

Q : Silicon carbide	E : EPDM
U : Tungsten carbide	V : Viton
B : Carbon	

## Type of Seal

Seal Type	SB/SBI/SBN		
	1/3/5/10/15/20 /32/45/64/90	120/150	
		0.5-60HP	75-100HP
<b>Mechanical Seals</b>			
S: O-ring seal Cartridge type	●	●	
B: Rubber bellows seal Cartridge type			●
QQ	●	●	●
UU	Optional	Optional	
QB	Optional	Optional	
UB	Optional	Optional	
<b>Seals</b>			
E	●	●	●
V	Optional	Optional	Optional

## Minimum inlet pressure - NPSHA

Calculation of the inlet pressure "H" is recommended in these situations:

- The liquid temperature is high.
- The flow is significantly higher than the rated flow.
- Water is drawn from depths.
- Water is drawn through long pipes.
- Inlet conditions are poor.

To avoid cavitation, make sure that there is a minimum pressure on the suction side of the pump. The maximum suction lift "H" in feet can be calculated as follows:

$$H = P_b - \text{NPSHR} - H_f - H_v - H_s$$

$P_b$  = Barometric pressure in feet absolute. (Barometric pressure can be set to 33.9 feet. At sea level. In closed systems,  $p_b$  indicates system pressure in feet.)

$\text{NPSHR}$  = Net Positive Suction Head Required in feet. (To be read from the NPSHR curve at the highest flow the pump will be delivering.)

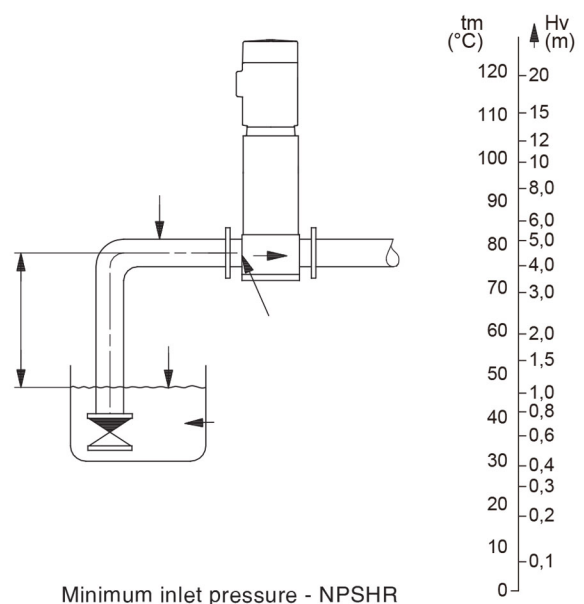
$H_f$  = Friction loss in suction pipe in feet. (At the highest flow the pump will be delivering.)

$H_v$  = Vapor pressure in feet. (To be read from the vapor pressure scale. " $H_v$ " depends on the liquid temperature " $T_m$ ").

$H_s$  = Safety margin = minimum 2.0 feet.

If the "H" calculated is positive, the pump can operate at a suction lift of maximum "H" feet.

If the "H" calculated is negative, an inlet pressure of minimum "H" feet is required.



**Note:** In order to avoid cavitation **never**, select a pump whose duty point lies too far to the right on the NPSHR curve.

Always check the NPSHR value of the pump at the highest possible flow.

# Motor Data

Vertical Multistage Centrifugal In-line Pumps



## Motor

- Squirrel cage in short circuit, aluminum casing up to 22 kW, totally enclosed, fan-cooled, 2-pole standard motor.
- Standard supply Stairs motors up to 15 kW. Other motor brands for higher powers.
- Electrical data
  - ⊙ Enclosure class: IP55
  - ⊙ Insulation class: F
- The motors have efficiency values that fall within the range normally referred to as high efficiency.
- Ambient temperature: Max. +50°C

## Motor Data

Motor Type				Nominal current in [A]		
Pole	HP	kW	Flange	Frame	1Ø	
					110 / 220V	220-240V
2	0.5	0.37	B14	71A	6.2 / 3.1	—
	0.75	0.55		71B	8.0 / 4.0	—
	1.0	0.75		80A	10.4 / 5.2	—
	1.5	1.1		80B	—	7.6 - 8.9
	2.0	1.5		90S	—	9.6 - 9.7
	3.0	2.2		90L	—	13.8 - 12.5

60Hz

Motor Type				Nominal current in [A]							
Pole	HP	kW	Flange	Frame	3Ø		3Ø		3Ø		
					△ 220-255V	Y 380-440V	△ 380-480V	Y 660-830V	△ 460 V	Y	
2	0.5	0.37	B14	71A	1.7 - 1.7	1.0 - 1.0	—	—	—	—	
	0.75	0.55		71B	2.4 - 2.4	1.4 - 1.4	—	—	—	—	
	1.0	0.75		80A	3.1 - 3.1	1.8 - 1.8	—	—	—	—	
	1.5	1.1		80B	4.5 - 4.2	2.6 - 2.4	—	—	—	—	
	HP	kW		Frame	△ 220-277V	Y 380-480V	△ 380-480V	Y 660-830V	—	—	—
	2.0	1.5		90S	5.9 - 6.1	3.4 - 3.5	—	—	—	—	
	3.0	2.2		90L	8.6 - 7.9	5.0 - 4.6	—	—	—	—	
	4.0	3.0		100L	11.4 - 10.5	6.6 - 6.1	6.5 - 6.1	3.8 - 3.5	—	—	
	5.5	4.0		112M	14.2 - 13.0	8.2 - 7.5	8.4 - 7.2	4.8 - 4.2	—	—	
	7.5	5.5		132S	18.5 - 15.8	10.7 - 9.1	10.7 - 9.4	6.2 - 5.4	—	—	
	10	7.5	132S	24.7 - 21.6	14.3 - 12.5	14.4 - 12.8	8.3 - 7.4	—	—		
	15	11	160M	37.0 - 33.9	21.4 - 19.6	21.5 - 20.6	12.4 - 11.9	—	—		
	20	15	160M	48.5 - 40.7	28.0 - 23.5	28.5 - 24.9	16.4 - 14.3	—	—		
	25	18.5	160L	59.7 - 49.3	34.5 - 28.5	34.6 - 28.9	19.9 - 16.6	—	—		
	30	22	180M	70.4 - 58.5	40.7 - 33.8	41.1 - 34.3	23.7 - 19.8	—	—		
	HP	kW	Frame	△ 220-240V	Y 380-415V	△ 380-415V	Y 660-720V	△ 460 V	Y	—	
	40	30	200L	97.2 - 89.1	56.1 - 51.4	56.1 - 51.4	32.3 - 29.6	52.6	N / A		
	50	37	200L	118.2 - 108.4	68.3 - 62.5	68.3 - 62.5	39.3 - 36.0	64.3	N / A		
	60	45	225M	143.5 - 131.5	82.8 - 75.9	82.8 - 75.9	47.7 - 43.7	78.2	N / A		
	75	55	250M	174.0 - 159.5	100.5 - 92.0	100.5 - 92.0	57.9 - 53.0	96.0	N / A		
100	75	280S	235.8 - 216.2	136.1 - 124.7	136.1 - 124.7	78.4 - 71.9	127.0	N / A			

# Max. Operating Pressure and Inlet Pressures

Vertical Multistage Centrifugal In-line Pumps



## Maximum inlet pressure

The following table shows the maximum permissible inlet pressure. However, the current inlet pressure + the pressure against a closed valve must always be lower than the maximum permissible operating pressure.

If the maximum permissible operating pressure is exceeded, the bearing in the motor may be damaged and the life of the shaft seal reduced.

\* Rule to follow : The inlet pressure+ the pressure against a closed valve < Max. Operating pressure.

## 60Hz

Pump type	Flange & PJE				Oval Flange		
	Stages	Max. Operating Pressure	Stages	Max. Inlet Pressures	Stages	Max. Operating Pressure	Max. Inlet Pressures
SB(I/N) 1	2 - 27	25 bar	2 - 25	10 bar	2 - 17	16 bar	10 bar
			27	15 bar	-	-	-
SB(I/N) 3	2 - 25	25 bar	2 - 15	10 bar	2 - 15	16 bar	10 bar
			17 - 25	15 bar	-	-	-
SB(I/N) 5	2 - 24	25 bar	2 - 9	10 bar	2 - 16	16 bar	10 bar
			10 - 24	15 bar	-	-	-
SB(I/N) 10	1 - 10	16 bar	1 - 5	8 bar	1 - 10	10 bar	8 bar
	12 - 17	25 bar	6 - 17	10 bar	-	-	-
SB(I/N) 15	1 - 8	16 bar	1 - 2	8 bar	1 - 5	10 bar	8 bar
	9 - 12	25 bar	3 - 12	10 bar	-	-	-
SB(I/N) 20	1 - 7	16 bar	1	8 bar	1 - 5	10 bar	8 bar
	8 - 10	25 bar	2 - 10	10 bar	-	-	-
SB(I/N) 32	(1-1) - 5	16 bar	(1-1) - 2	4 bar			
	(6-2) - (10-2)	30 bar	(3-2) - 6	10 bar			
			(7-2) - (10-2)	15 bar			
SB(I/N) 45	(1-1) - 4	16 bar	(1-1) - 1	4 bar			
	(5-2) - 7	30 bar	(2-2) - 3	10 bar			
			(4-2) - 7	15 bar			
SB(I/N) 64	(1-1) - 3	16 bar	(1-1)	4 bar			
	(4-2) - (5-2)	30 bar	1 - (2-1)	10 bar			
			2 - (5-2)	15 bar			
SB(I/N) 90	(1-1) - 3	16 bar	(1-1) - (2-2)	10 bar			
	(4-2)	30 bar	(2-1) - (4-2)	15 bar			
SB(I/N) 120	1 - (5-2)	30 bar	1	10 bar			
			(2-2) - (3-1)	15 bar			
			3 - (5-2)	20 bar			
SB(I/N) 150	(1-1) - (4-2)	30 bar	(1-1)	10 bar			
			1 - 2	15 bar			
			(3-2) - (4-2)	20 bar			

### Example of operating and inlet pressures

The values for operating and inlet pressures shown in the tables must not be considered individually but must always be compared, see the following examples:

#### Example 1 :

The following pump type has been selected: SB 64-4  
 Max. operating pressure: 30 bar  
 Max. inlet pressure: 15 bar  
 Discharge pressure against a closed valve: 16.7 bar , (see p.46)  
 This pump is not allowed to start at an inlet pressure of 15 bar ,  
 but at an inlet pressure of 30 bar - 16.7 bar = 13.3 bar.

#### Example 2 :

The following pump has been selected: SB 10-2  
 Max. operating pressure: 16 bar  
 Max. inlet pressure: 8 bar  
 Discharge pressure against a closed valve: 2.9 bar (97 ft), (see p.26)  
 This pump is allowed to start at an inlet pressure of 8 bar,  
 as the discharge pressure is only 2.9 bar,  
 which results in an operating pressure of 8 bar+ 2.9 bar = 10.9 bar.  
 On the contrary, the max. operating pressure of this pump is  
 limited to 10.9 bar , as a higher operating pressure will require an  
 inlet pressure of more than 8 bar.



# Technical data

Vertical Multistage Centrifugal In-line Pumps



## Pumped Liquids

SB (I, N) pumps can handle a wide variety of liquids, each with its own characteristic.

### SB(I)

Non-corrosive liquids

For fluid transfer, circulation and pressure boosting of cold or hot clean water.

### SBN

Industrial liquids

Light acids

The fluids covered in the list are not complete. Data on the application limits of different pump materials when handling any of the listed fluids are considered to be the best choices. However, the table is intended as a general guide only, and cannot replace actual testing of the pumped fluids and pump materials under specific working conditions.

When choosing the pump version, sufficient attention should be given to the flow medium, such as density, solidification point, viscosity as well as ex-protection requirement. The limits of applicability of the pumps, based on pressure and temperature must also be considered.

#### ● Recommended

Pumped fluid	"Fluid Concentration, temperature"	SB ( I )		SBN	
		EPDM	Viton	EPDM	Viton
Acetic acid anhydride	25°C			●	
Alkaline cleaner		●			
Aluminium sulphate	10%, 25°C				●
Ammonia water (A. hydroxide)	20%, 40°C	●			
Ammonia hydrogen carbonate	10%, 40°C	●		●	
Benzoic acid	10%, 90°C				●
Boric acid	Unsaturated solution, 60°C				●
Butanol	60°C	●			
Calcium acetate	30%, 50°C	●			
Calcium hydroxide	Saturated solution, 50°C	●			
Chromic acid	1%, 20°C				●
Condensate	90°C	●			
Copper sulphate	Unsaturated solution, 60°C				●
Deionic (fully desalinated water)	50°C			●	
Ethanol	100%, 20°C	●			
Ethylene glycol/Diethylene glycol	40%, 70°C	●	●	●	●
Fixer	25°C				●
Formic acid	5%, 20°C			●	

# Technical data

Vertical Multistage Centrifugal In-line Pumps



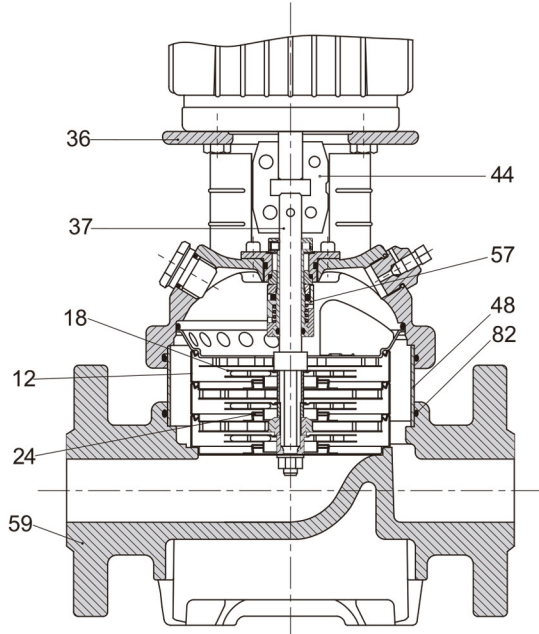
Pumped fluid	"Fluid Concentration, temperature"	SB ( I )		SBN	
		EPDM	Viton	EPDM	Viton
Fruit juice	50°C				●
Glycerine	50%, 50°C	●			
Heating oil (Light)		●			●
Hydraulic oil	100%, 100°C		●		
Isopropanol		●			
Lactic acid	10%, 20°C				●
Linoleic acid	100%, 20°C	●			
Linseed oil	60°C		●		
Liqueur	60°C				●
Maize oil	80°C		●		
Maleic acid	50%, 50°C				●
Methanol	100%, 20°C	●			
Motor oil	100%, 80°C	●			
Oil-water-mixture	100°C		●		
Oxalic acid	1%, 20°C			●	
Peanut oil	100%, 80°C		●		
Phosphoric acid	20%, 20°C			●	
Polyglycols	90°C		●		●
Polyethylene glycols	40%, 70°C	●			
Potassium carbonate	10%, 60°C	●			
Potassium hydrogen carbonate	10%, 60°C	●			
Potassium permanganate	5%, 20°C			●	
Potassium sulphate	Unsaturated solution, 80°C			●	
Rapeseed oil	100%, 80°C		●		
Silicone oil	100%		●		
Sodium carbonate	10%, 60°C			●	
Sodium hydroxide	25%, 50°C			●	
Sodium nitrate	Unsaturated solution, 80°C			●	
Sodium phosphate	5%, 100°C			●	
Sodium sulphate	10%, 60°C			●	
Sulphuric acid	5%, 25°C				●
Water					
Swimming pool water	35°C	● SBI		●	
Deionic	50°C			●	
Distilled water	50°C			●	
Decarbonated water				●	
Soft water				●	
Heating water				●	
Boiler water				●	
Pure water				●	
Rinsing water		● SBI		●	

# Construction

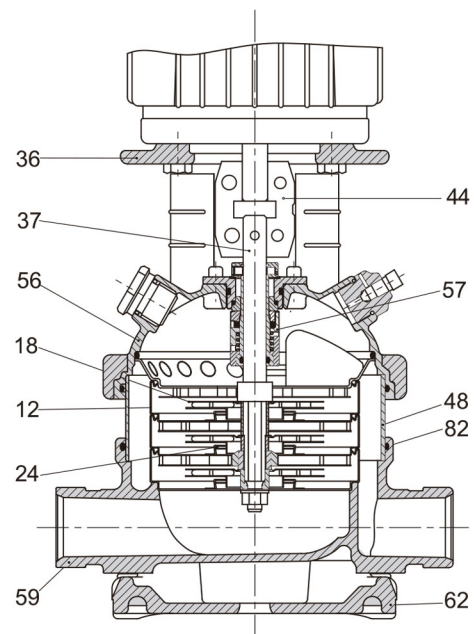
Vertical Multistage Centrifugal In-line Pumps



**SB-1,3,5,10,15,20**



**SBI(N)-1,3,5,10,15,20**



## CONSTRUCTION

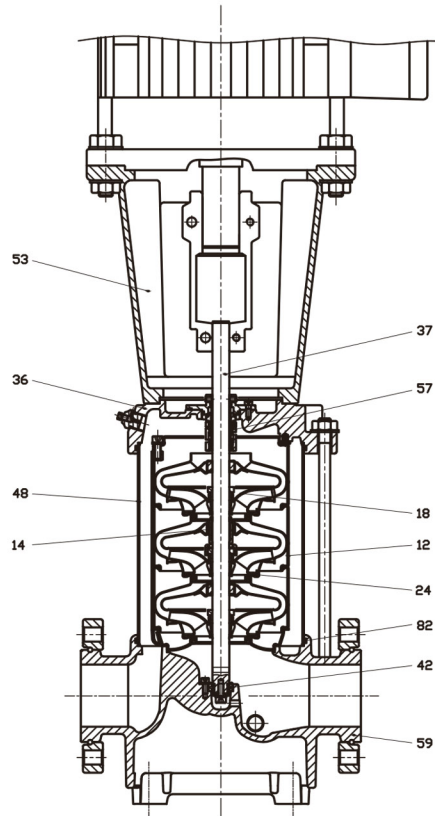
Pos.	Name	Material	SB 1,3,5,10,15,20		SBI 1,3,5,10,15,20		SBN 1,3,5,10,15,20	
			Standard		Standard		Standard	
			Europe	USA	Europe	USA	Europe	USA
36	Pump head	Cast Iron	EN-GJL-200	ASTM 25B	EN-GJS-450-10	ASTM 65-45-12	EN-GJS-450-10	ASTM 65-45-12
56	Pump head cover	Stainless steel	N/A		1.4301	AISI 304	1.4401	AISI 316
18	Impeller	Stainless steel	1.4301	AISI 304	1.4301	AISI 304	1.4401	AISI 316
37	Shaft	Stainless steel	1.4057	AISI 431	1.4057	AISI 431	1.4401	AISI 316
48	Outer Sleeve	Stainless steel	1.4301	AISI 304	1.4301	AISI 304	1.4401	AISI 316
82	O-ring for outer sleeve	EPDM						
12	Chamber	Stainless steel	1.4301	AISI 304	1.4301	AISI 304	1.4401	AISI 316
24	Neck ring	PTFE						
59	Base	Cast Iron	EN-GJL-200	ASTM 25B	N/A			
	Base	Stainless steel	N/A		1.4301	AISI 304	1.4401	AISI 316
62	Base plate	Cast Iron	N/A		EN-GJL-200	ASTM 25B	EN-GJL-200	ASTM 25B
44	Coupling	Fe-Cu-C	SINT C11	MPIF FC0525	SINT C11	MPIF FC0525	SINT C11	MPIF FC0525
57	Mechanical seal	Cartridge type						

# Construction

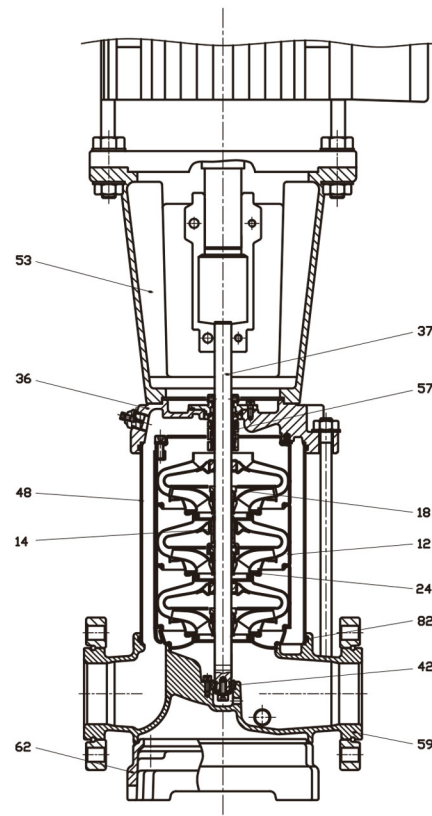
Vertical Multistage Centrifugal In-line Pumps



**SB-32,45,64,90**



**SBI(N)-32,45,64,90**



## CONSTRUCTION

Pos.	Name	Material	SB 32, 45, 64, 90		SBI 32, 45, 64, 90		SBN 32, 45, 64, 90	
			Standard		Standard		Standard	
			Europe	USA	Europe	USA	Europe	USA
36	Pump head	Cast Iron	EN-GJL-250	ASTM 35B				
		Stainless steel			1.4301	AISI 304	1.4401	AISI 316
53	Motor Bracket	Cast Iron	EN-GJL-250	ASTM 35B	EN-GJL-250	ASTM 35B	EN-GJL-250	ASTM 35B
18	Impeller	Stainless steel	1.4301	AISI 304	1.4301	AISI 304	1.4401	AISI 316
37	Shaft	Stainless steel	1.4057	AISI 431	1.4057	AISI 431	1.4401	AISI 316
48	Outer Sleeve	Stainless steel	1.4301	AISI 304	1.4301	AISI 304	1.4401	AISI 316
82	O-ring for outer sleeve	EPDM						
12	Chamber	Stainless steel	1.4301	AISI 304	1.4301	AISI 304	1.4401	AISI 316
24	Neck ring	Carbon Fiber + POB + PTFE						
59	Base	Cast Iron	EN-GJL-250	ASTM 35B	N/A			
	Base	Stainless steel	N/A		1.4301	AISI 304	1.4401	AISI 316
62	Base plate	Cast Iron	N/A		EN-GJL-250	ASTM 35B	EN-GJL-250	ASTM 35B
57	Mechanical seal	Cartridge type						
14	Bearing ring		Bronze				POB+Graphite+PTFE	
42	Bottom bearing ring	Tungsten carbide/ Tungsten carbide						

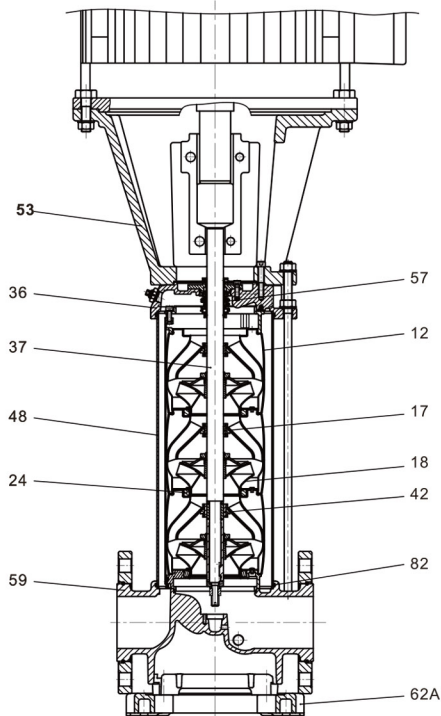


# Construction

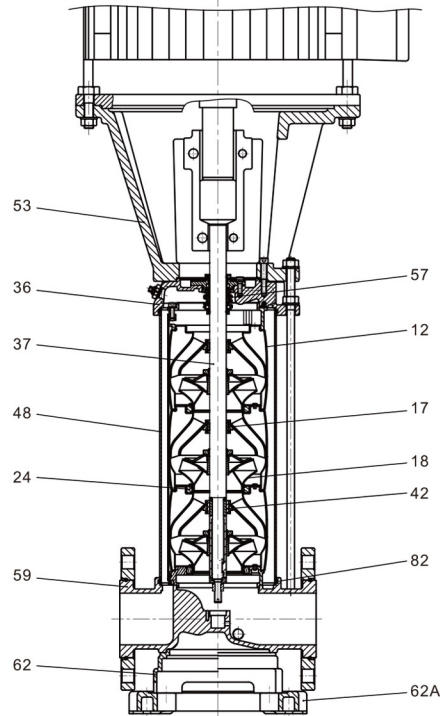
Vertical Multistage Centrifugal In-line Pumps



**SB-120,150**



**SBI/N-120,150**



## CONSTRUCTION

Pos.	Name	Material	SB 120, 150		SBI 120, 150		SBN 120, 150	
			Standard		Standard		Standard	
			Europe	USA	Europe	USA	Europe	USA
36	Pump head	Cast Iron	EN-GJL-250	ASTM 35B	N/A			
		Stainless steel	N/A		1.4301	AISI 304	1.4401	AISI 316
53	Motor bracket (15HP~60HP)	Cast Iron	EN-GJL-250	ASTM 35B	EN-GJL-250	ASTM 35B	EN-GJL-250	ASTM 35B
	Motor bracket (75HP~100HP)	Cast Iron	EN-GJS-450-10	ASTM 65-45-12	EN-GJS-450-10	ASTM 65-45-12	EN-GJS-450-10	ASTM 65-45-12
17	bearing ring	PTFE						
18	Impeller	Stainless steel	1.4301	AISI 304	1.4301	AISI 304	1.4401	AISI 316
37	Shaft	Stainless steel	1.4057	AISI 431	1.4057	AISI 431	1.4401	AISI 316
48	Outer sleeve	Stainless steel	1.4301	AISI 304	1.4301	AISI 304	1.4401	AISI 316
82	O-ring for outer sleeve	EPDM						
12	Chamber	Stainless steel	1.4301	AISI 304	1.4301	AISI 304	1.4401	AISI 316
24	Neck ring	PTFE						
59	Base	Cast Iron	EN-GJL-250	ASTM 35B	N/A			
		Stainless steel	N/A		1.4301	AISI 304	1.4401	AISI 316
62	Base plate	Cast Iron	N/A		EN-GJS-450-10	ASTM 65-45-12	EN-GJS-450-10	ASTM 65-45-12
62A	Base plate	Cast Iron	EN-GJS-450-10	ASTM 65-45-12	EN-GJS-450-10	ASTM 65-45-12	EN-GJS-450-10	ASTM 65-45-12
57	Mechanical seal	Cartridge type						
42	Bottom bearing ring	SiC / SiC						

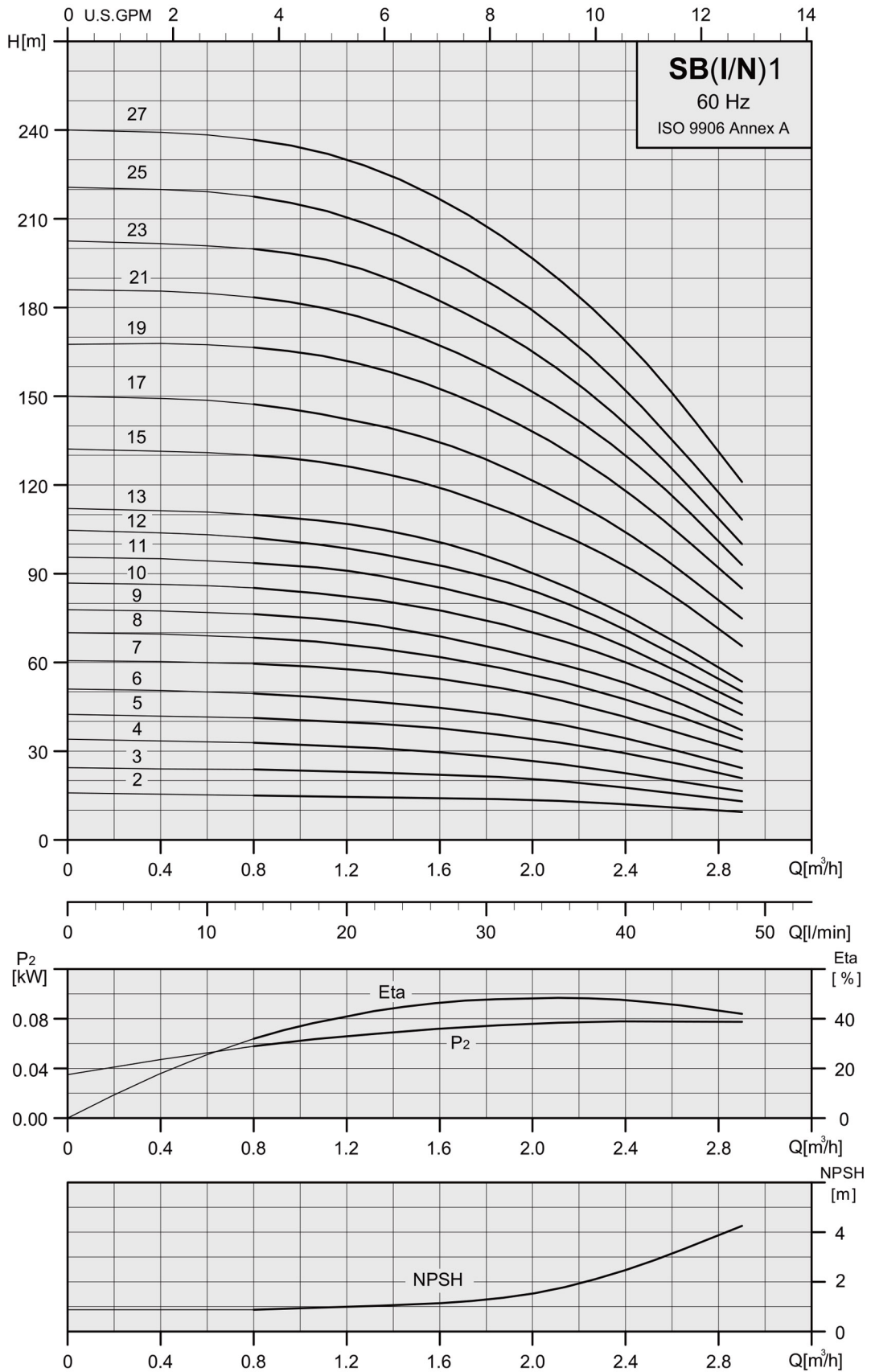
# Performance Curves

Vertical Multistage Centrifugal In-line Pumps

# SB 1



## SB, SBI, SBN 1





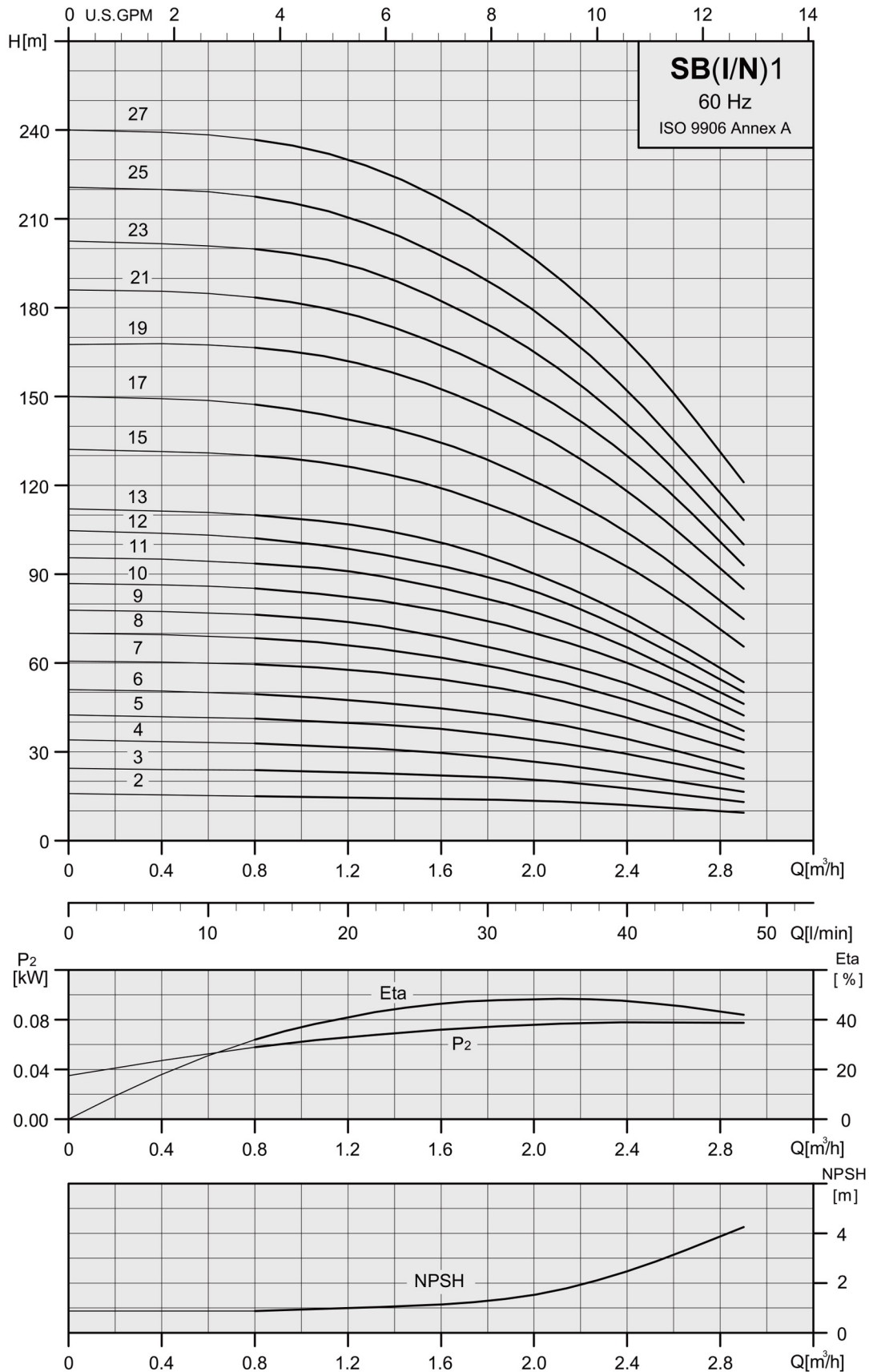
# Performance Curves

Vertical Multistage Centrifugal In-line Pumps

# SBI(N) 1



## SB, SBI, SBN 1





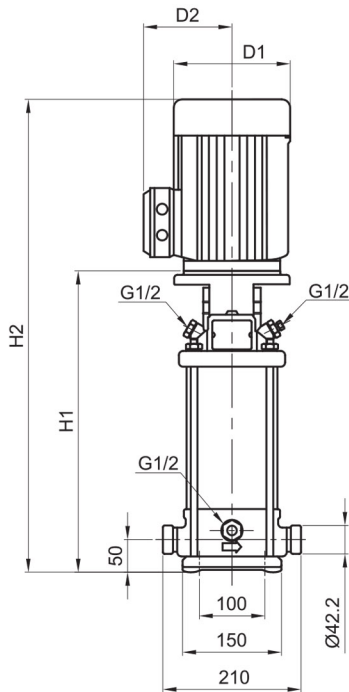
# Technical data

Vertical Multistage Centrifugal In-line Pumps

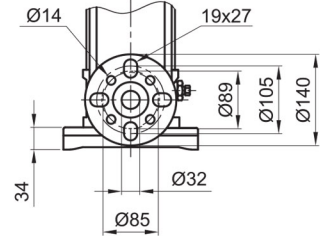
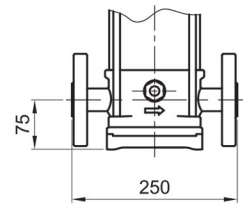
# SBI(N) 1



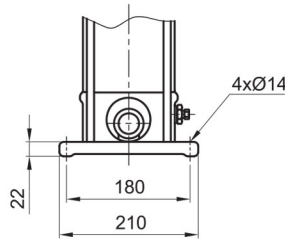
## SBI / SBN 1



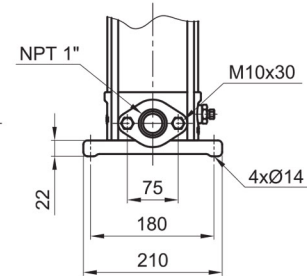
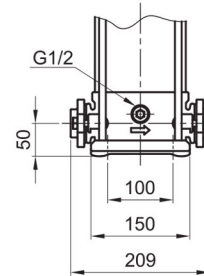
Flange(DIN) PN 25 / DN25/32  
 Flange(ANSI) Class300 / 1"1¼"  
 Flange(JIS) 20K / 25A/32A



Victaulic



Oval  
 Stages 1-2 ~ 1-17



## SBI ,SBN 1

60Hz	Motor P <sub>2</sub>	Nominal current [A]							Dimension[mm]								Net weight [kg]		
		1Ø		3ø		3Ø			Vactaulic		DIN flange		OVAL				Vactaulic	DIN flange	OVAL
Pump type	[kW]	[HP]	110V / 220V	220-240V	△220-255V	Y380-440V	△380-480V	Y660-830V	H1	H2	H1	H2	H1	H2	D1	D2	Vactaulic	DIN flange	OVAL
SBI(N)1-2	0.37	0.5	6.2 / 3.1	—	1.7 - 1.7	1.0 - 1.0	—	—	257	452	282	477	257	452	141	115	19.3	20.2	17.1
SBI(N)1-3	0.37	0.5	6.2 / 3.1	—	1.7 - 1.7	1.0 - 1.0	—	—	257	452	282	477	257	452	141	115	19.3	20.3	17.1
SBI(N)1-4	0.37	0.5	6.2 / 3.1	—	1.7 - 1.7	1.0 - 1.0	—	—	275	470	300	495	275	470	141	115	19.7	20.6	17.5
SBI(N)1-5	0.55	0.75	8.0 / 4.0	—	2.4 - 2.4	1.4 - 1.4	—	—	293	488	318	513	293	488	141	115	20.6	21.5	18.4
SBI(N)1-6	0.55	0.75	8.0 / 4.0	—	2.4 - 2.4	1.4 - 1.4	—	—	311	506	336	531	311	506	141	115	20.9	21.9	18.7
SBI(N)1-7	0.75	1.0	10.4 / 5.2	—	3.1 - 3.1	1.8 - 1.8	—	—	335	570	360	595	335	570	141	115	23.3	24.2	21.1
SBI(N)1-8	0.75	1.0	10.4 / 5.2	—	3.1 - 3.1	1.8 - 1.8	—	—	353	588	378	613	353	588	141	115	23.7	24.6	21.5
SBI(N)1-9	0.75	1.0	10.4 / 5.2	—	3.1 - 3.1	1.8 - 1.8	—	—	371	606	396	631	371	606	141	115	24.0	25.0	21.9
SBI(N)1-10	1.1	1.5	—	7.6 - 8.9	4.5 - 4.2	2.6 - 2.4	—	—	389	678	414	703	389	678	177	141	31.1	32.1	29.0
SBI(N)1-11	1.1	1.5	—	7.6 - 8.9	4.5 - 4.2	2.6 - 2.4	—	—	407	696	432	721	407	696	177	141	31.5	32.5	29.4
SBI(N)1-12	1.1	1.5	—	7.6 - 8.9	4.5 - 4.2	2.6 - 2.4	—	—	425	714	450	739	425	714	177	141	32.3	32.8	29.7
SBI(N)1-13	1.1	1.5	—	7.6 - 8.9	4.5 - 4.2	2.6 - 2.4	—	—	443	732	468	757	443	732	177	141	37.1	33.2	30.1
SBI(N)1-15	1.5	2.0	—	9.6 - 9.7	5.9 - 6.1	3.4 - 3.5	—	—	495	790	520	815	495	790	177	141	37.9	38.1	35.0
SBI(N)1-17	1.5	2.0	—	9.6 - 9.7	5.9 - 6.1	3.4 - 3.5	—	—	531	826	556	851	531	826	177	141	36.9	38.8	35.7
SBI(N)1-19	2.2	3.0	—	13.8 - 12.5	8.6 - 7.9	5.0 - 4.6	—	—	567	862	592	887	—	—	177	141	40.4	41.3	—
SBI(N)1-21	2.2	3.0	—	13.8 - 12.5	8.6 - 7.9	5.0 - 4.6	—	—	603	898	628	923	—	—	177	141	41.2	42.1	—
SBI(N)1-23	2.2	3.0	—	13.8 - 12.5	8.6 - 7.9	5.0 - 4.6	—	—	639	934	664	959	—	—	177	141	41.9	42.9	—
SBI(N)1-25	2.2	3.0	—	13.8 - 12.5	8.6 - 7.9	5.0 - 4.6	—	—	675	970	700	995	—	—	177	141	42.6	43.6	—
SBI(N)1-27	3	4.0	—	—	11.4 - 10.5	6.6 - 6.1	6.5 - 6.1	3.8 - 3.5	716	1032	741	1057	—	—	197	147	51.9	52.9	—

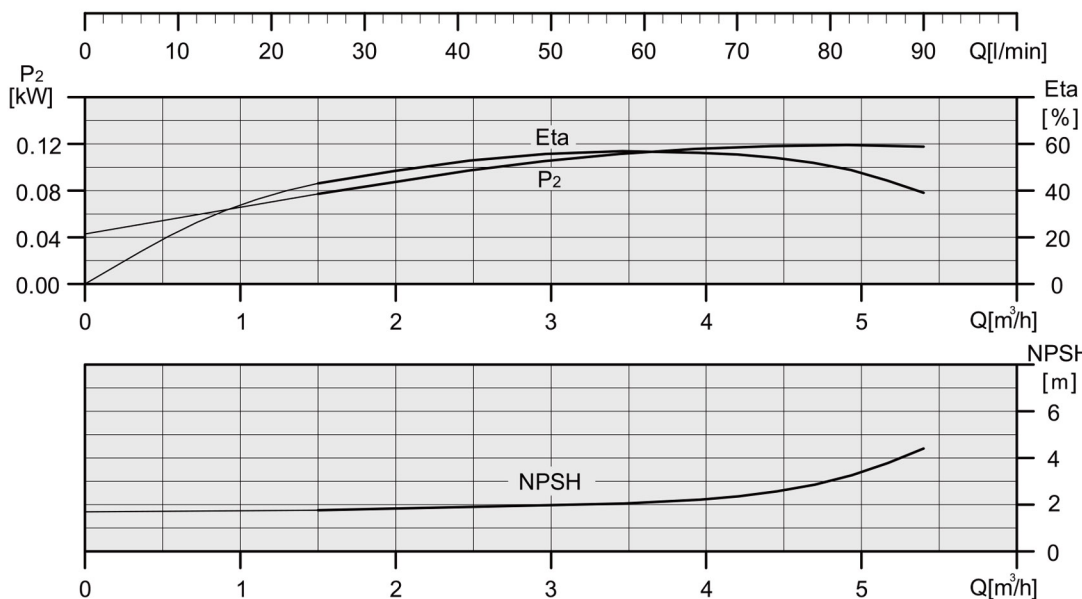
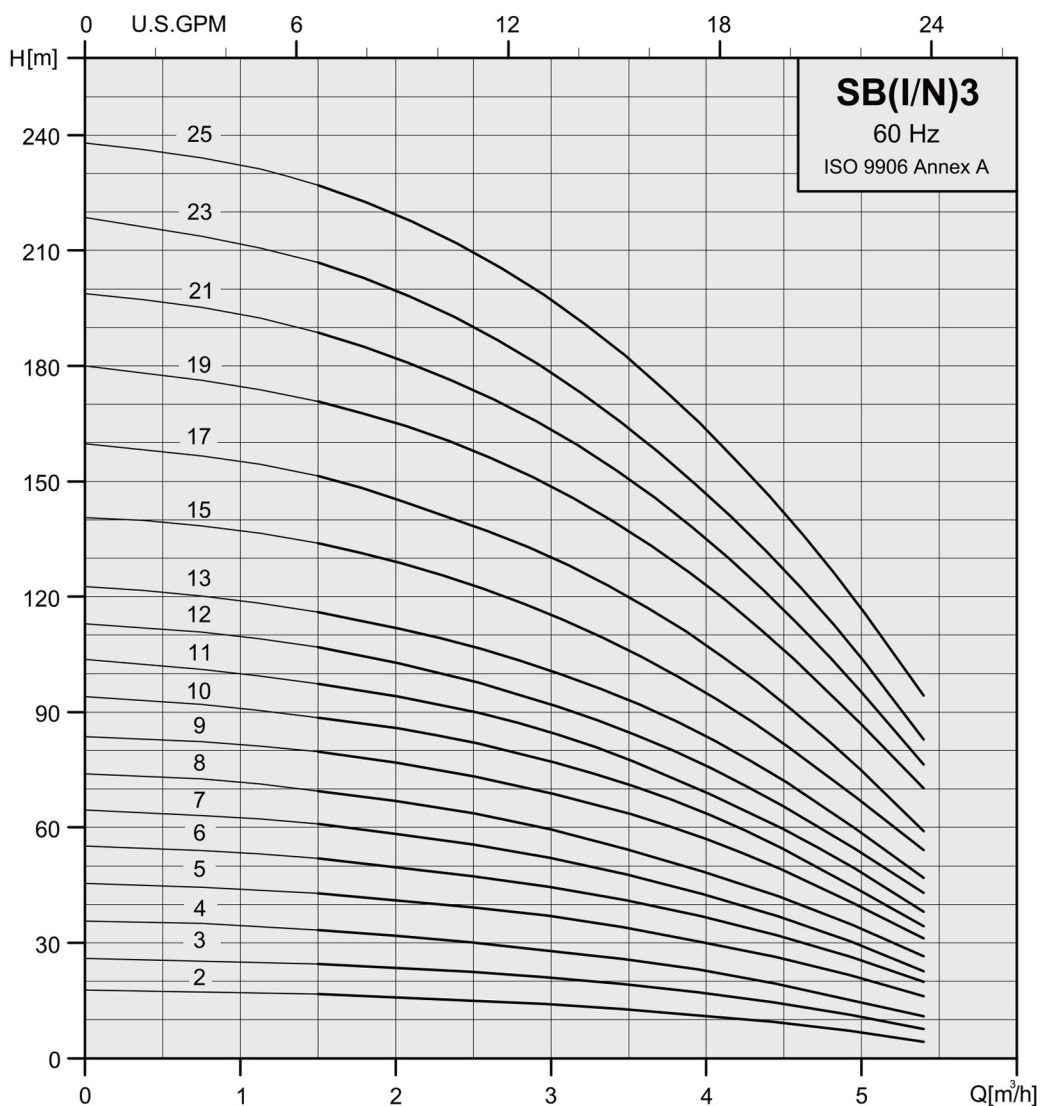
# Performance Curves

Vertical Multistage Centrifugal In-line Pumps

## SB 3



### SB, SBI, SBN 3





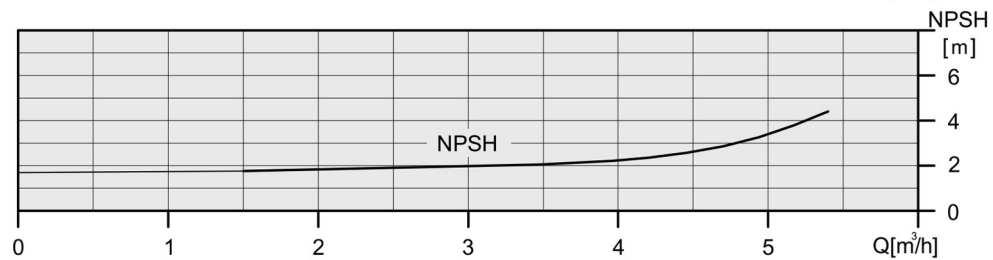
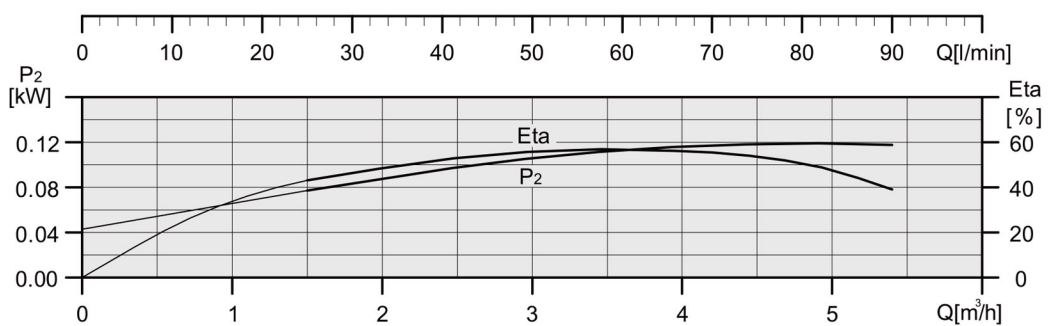
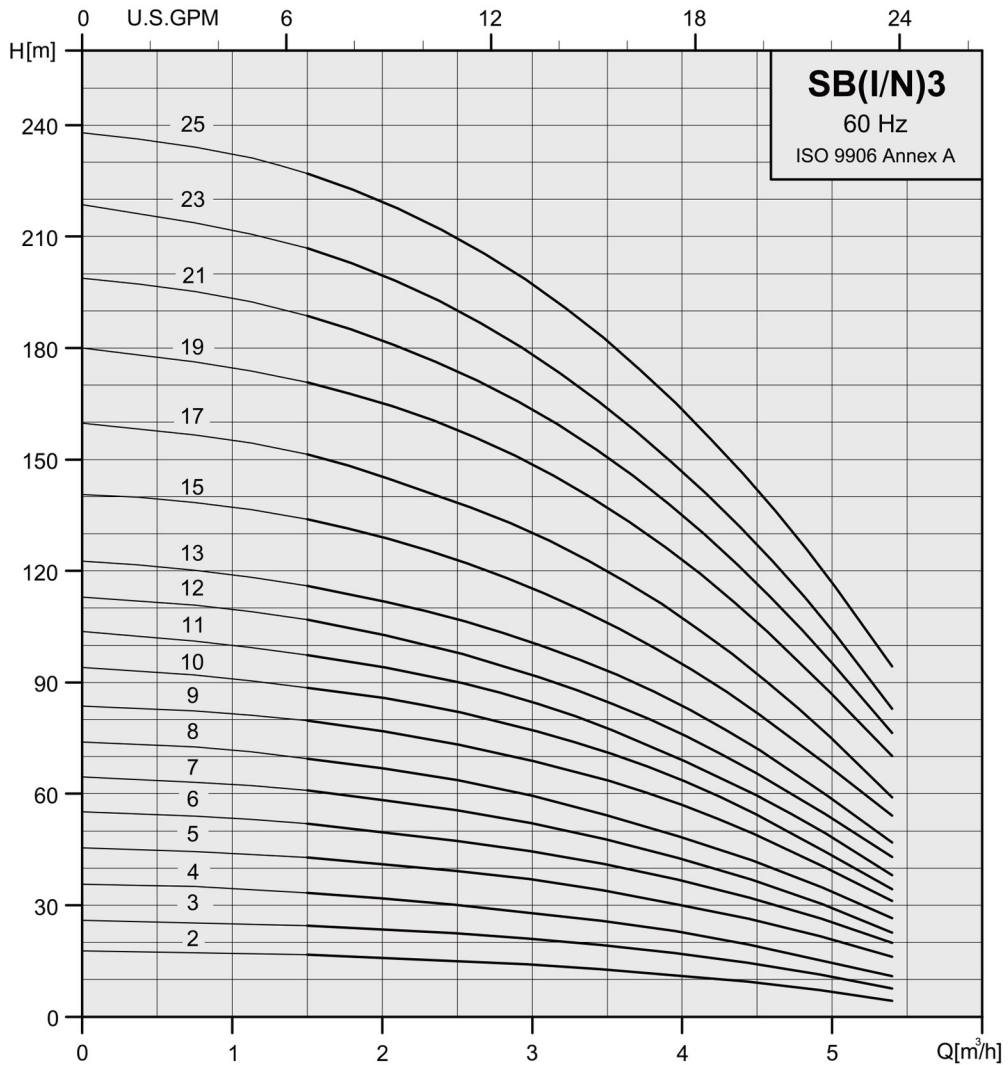
# Performance Curves

Vertical Multistage Centrifugal In-line Pumps

# SBI(N) 3



## SB, SBI, SBN 3





# Technical data

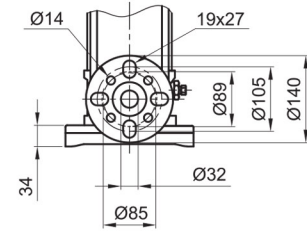
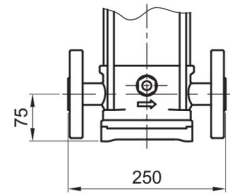
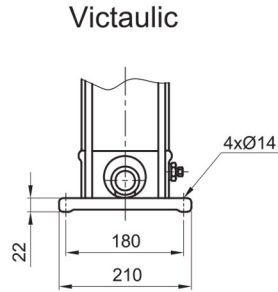
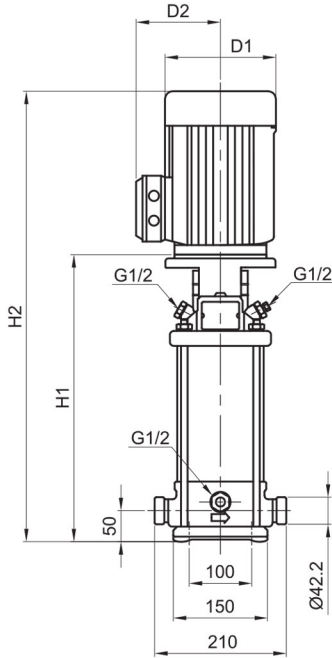
Vertical Multistage Centrifugal In-line Pumps

# SBI(N) 3

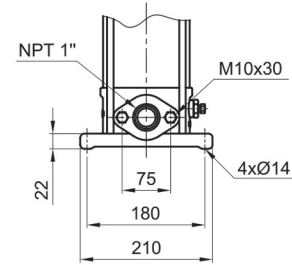
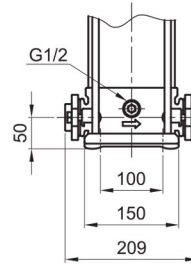


## SBI / SBN 3

Flange(DIN) PN25 / DN25/32  
 Flange(ANSI) Class300 / 1"1¼"  
 Flange(JIS) 20K / 25A/32A



**Oval**  
 Stages 3-2 ~ 3-15



## SBI ,SBN 3

60Hz	Motor P <sub>2</sub>	Nominal current [A]							Dimension[mm]								Net weight [kg]		
		1Ø		3Ø		3Ø			Vactaulic		DIN flange		OVAL				Vactaulic	DIN flange	OVAL
Pump type	[kW]	[HP]	110V/220V	220-240V	△220-255V	Y380-440V	△380-480V	Y660-830V	H1	H2	H1	H2	H1	H2	D1	D2	Vactaulic	DIN flange	OVAL
SBI(N)3-2	0.37	0.5	6.2 / 3.1	—	1.7 - 1.7	1.0 - 1.0	—	—	257	452	282	477	257	452	141	115	19.3	20.2	17.1
SBI(N)3-3	0.55	0.75	8.0 / 4.0	—	2.4 - 2.4	1.4 - 1.4	—	—	257	452	282	477	257	452	141	115	19.8	20.8	17.6
SBI(N)3-4	0.55	0.75	8.0 / 4.0	—	2.4 - 2.4	1.4 - 1.4	—	—	275	470	300	495	275	470	141	115	20.2	21.1	18.0
SBI(N)3-5	0.75	1.0	10.4 / 5.2	—	3.1 - 3.1	1.8 - 1.8	—	—	299	534	324	559	299	534	141	115	22.6	23.5	20.4
SBI(N)3-6	1.1	1.5	—	7.6 - 8.9	4.5 - 4.2	2.6 - 2.4	—	—	317	606	342	631	317	606	177	141	29.7	30.6	27.5
SBI(N)3-7	1.1	1.5	—	7.6 - 8.9	4.5 - 4.2	2.6 - 2.4	—	—	335	624	360	649	335	624	177	141	30.0	31.0	27.9
SBI(N)3-8	1.1	1.5	—	7.6 - 8.9	4.5 - 4.2	2.6 - 2.4	—	—	353	642	378	667	353	642	177	141	30.4	31.3	28.2
Pump type	[kW]	[HP]	220-240V		△220-277V	Y380-480V	△380-480V	Y660-830V	H1	H2	H1	H2	H1	H2	D1	D2	Vactaulic	DIN flange	OVAL
SBI(N)3-9	1.5	2.0	—	9.6 - 9.7	5.9 - 6.1	3.4 - 3.5	—	—	387	682	412	707	387	682	177	141	34.9	35.9	32.8
SBI(N)3-10	1.5	2.0	—	9.6 - 9.7	5.9 - 6.1	3.4 - 3.5	—	—	405	700	430	725	405	700	177	141	35.3	36.2	33.1
SBI(N)3-11	1.5	2.0	—	9.6 - 9.7	5.9 - 6.1	3.4 - 3.5	—	—	423	718	448	743	423	718	177	141	35.7	36.5	33.4
SBI(N)3-12	2.2	3.0	—	13.8 - 12.5	8.6 - 7.9	5.0 - 4.6	—	—	441	736	466	761	441	736	177	141	37.9	38.8	35.7
SBI(N)3-13	2.2	3.0	—	13.8 - 12.5	8.6 - 7.9	5.0 - 4.6	—	—	459	754	484	779	459	754	177	141	38.3	39.2	36.1
SBI(N)3-15	2.2	3.0	—	13.8 - 12.5	8.6 - 7.9	5.0 - 4.6	—	—	495	790	520	815	495	790	177	141	38.9	39.9	36.8
SBI(N)3-17	2.2	3.0	—	13.8 - 12.5	8.6 - 7.9	5.0 - 4.6	—	—	531	826	556	851	—	—	177	141	39.7	40.6	—
SBI(N)3-19	3	4.0	—	—	11.4 - 10.5	6.6 - 6.1	6.5 - 6.1	3.8 - 3.5	572	888	597	913	—	—	197	147	49.0	49.9	—
SBI(N)3-21	3	4.0	—	—	11.4 - 10.5	6.6 - 6.1	6.5 - 6.1	3.8 - 3.5	608	924	633	949	—	—	197	147	49.7	50.7	—
SBI(N)3-23	3	4.0	—	—	11.4 - 10.5	6.6 - 6.1	6.5 - 6.1	3.8 - 3.5	644	960	669	985	—	—	197	147	50.5	51.4	—
SBI(N)3-25	4	5.5	—	—	14.2 - 13.0	8.2 - 7.5	8.4 - 7.2	4.8 - 4.2	680	1006	705	1031	—	—	220	161	55.2	56.1	—

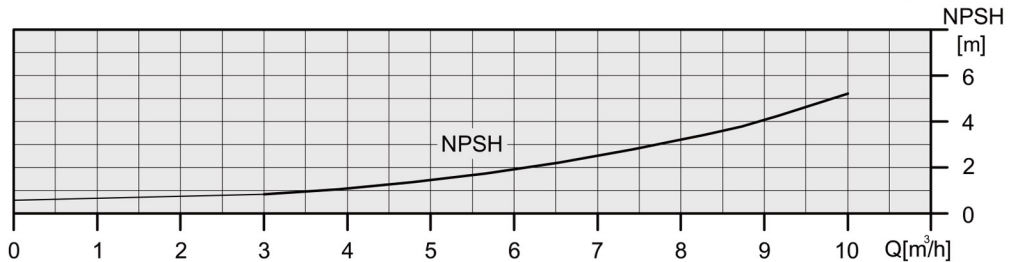
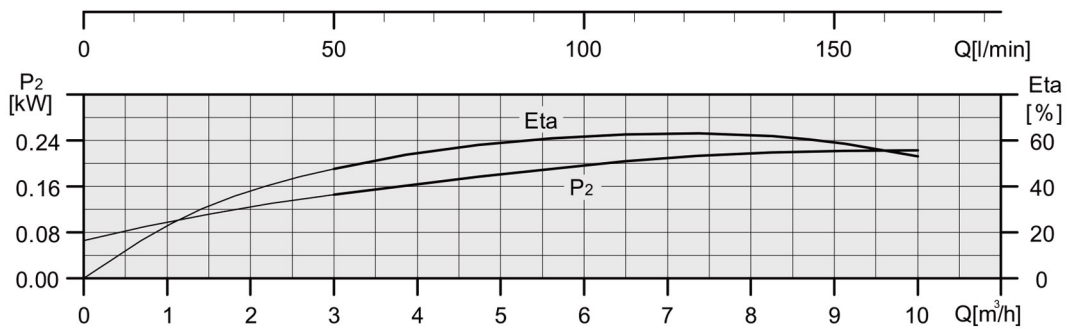
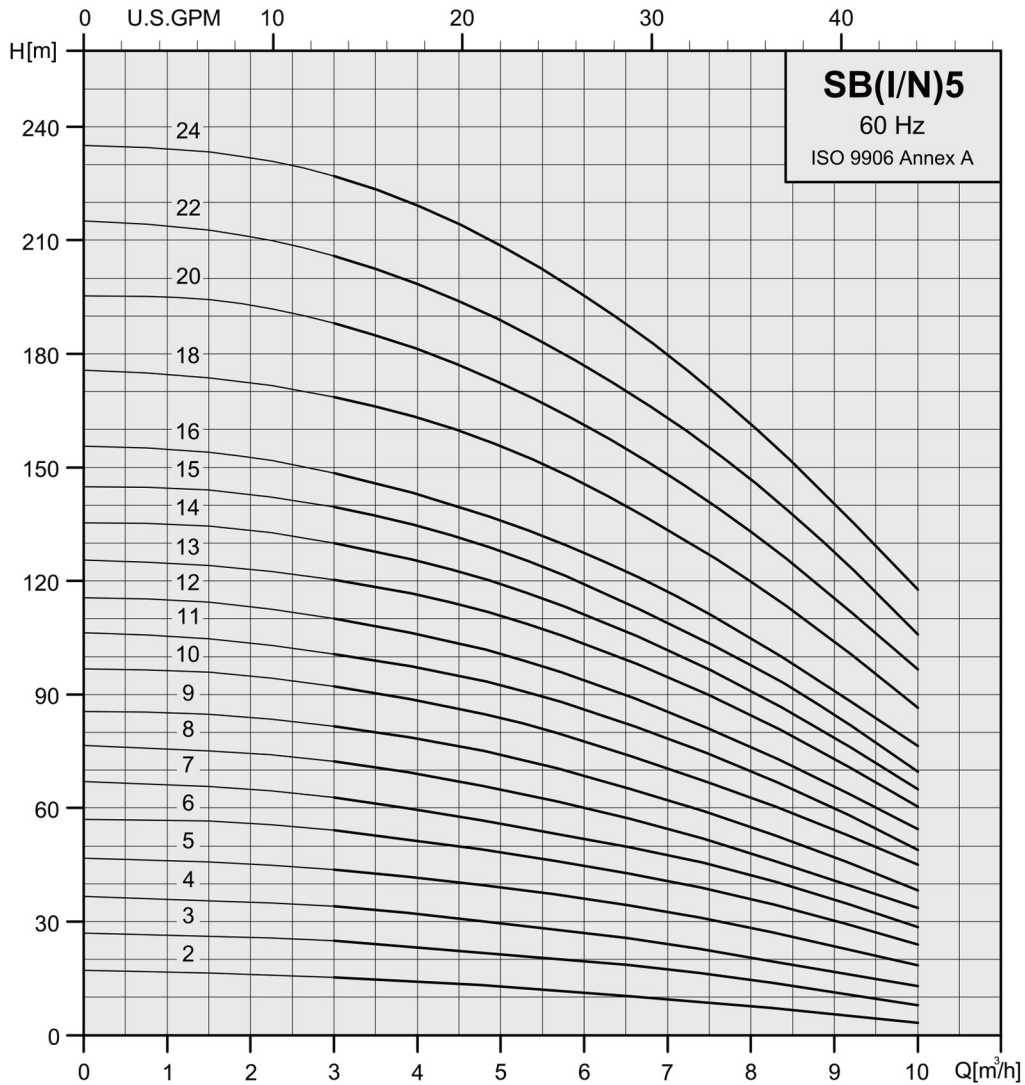
# Performance Curves

Vertical Multistage Centrifugal In-line Pumps

# SB 5



## SB, SBI, SBN 5



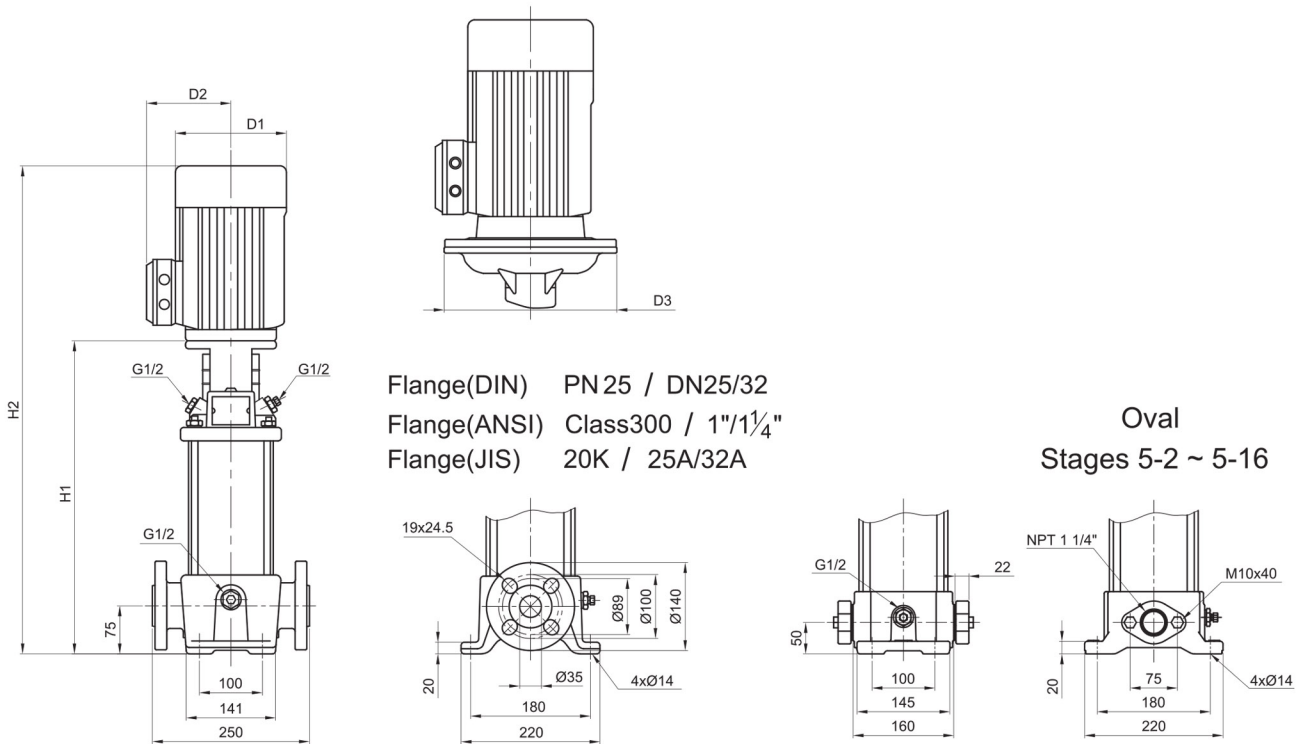
# Technical data

Vertical Multistage Centrifugal In-line Pumps

# SB 5



## SB 5



Flange(DIN) PN 25 / DN25/32  
 Flange(ANSI) Class300 / 1"1/4"  
 Flange(JIS) 20K / 25A/32A

Oval  
 Stages 5-2 ~ 5-16

## SB 5

60Hz	Motor P <sub>2</sub>		Nominal current [A]						Dimension[mm]						Net weight [kg]		
			1Ø		3Ø		3Ø		DIN flange		OVAL		D1	D2	D3	DIN flange	OVAL
Pump type	[kW]	[HP]	110V/220V	220-240V	△220-255V	Y380-440V	△380-480V	Y660-830V	H1	H2	H1	H2	D1	D2	D3	DIN flange	OVAL
SB5-2	0.55	0.75	8.0 / 4.0	—	2.4 - 2.4	1.4 - 1.4	—	—	279	474	254	449	141	115	—	23.8	19.5
SB5-3	1.1	1.5	—	7.6 - 8.9	4.5 - 4.2	2.6 - 2.4	—	—	312	601	287	576	177	141	—	33.1	28.8
SB5-4	1.1	1.5	—	7.6 - 8.9	4.5 - 4.2	2.6 - 2.4	—	—	339	628	314	603	177	141	—	33.6	29.3
Pump type	[kW]	[HP]	220-240V		△220-277V	Y380-480V	△380-480V	Y660-830V	H1	H2	H1	H2	D1	D2	D3	DIN flange	OVAL
SB5-5	1.5	2.0	—	9.6 - 9.7	5.9 - 6.1	3.4 - 3.5	—	—	382	677	357	652	177	141	—	38.2	33.9
SB5-6	2.2	3.0	—	13.8 - 12.5	8.6 - 7.9	5.0 - 4.6	—	—	409	704	384	679	177	141	—	40.6	36.3
SB5-7	2.2	3.0	—	13.8 - 12.5	8.6 - 7.9	5.0 - 4.6	—	—	436	731	411	706	177	141	—	41.1	36.8
SB5-8	2.2	3.0	—	13.8 - 12.5	8.6 - 7.9	5.0 - 4.6	—	—	463	758	438	733	177	141	—	41.6	37.3
SB5-9	2.2	3.0	—	13.8 - 12.5	8.6 - 7.9	5.0 - 4.6	—	—	490	785	465	760	177	141	—	42.1	37.8
SB5-10	3	4.0	—	—	11.4 - 10.5	6.6 - 6.1	6.5 - 6.1	3.8 - 3.5	521	837	496	812	197	147	—	51.6	47.3
SB5-11	3	4.0	—	—	11.4 - 10.5	6.6 - 6.1	6.5 - 6.1	3.8 - 3.5	548	864	523	839	197	147	—	52.1	47.8
SB5-12	3	4.0	—	—	11.4 - 10.5	6.6 - 6.1	6.5 - 6.1	3.8 - 3.5	575	891	550	866	197	147	—	52.6	48.3
SB5-13	4	5.5	—	—	14.2 - 13.0	8.2 - 7.5	8.4 - 7.2	4.8 - 4.2	602	928	577	903	220	161	—	57.1	52.8
SB5-14	4	5.5	—	—	14.2 - 13.0	8.2 - 7.5	8.4 - 7.2	4.8 - 4.2	629	955	604	930	220	161	—	57.7	53.4
SB5-15	4	5.5	—	—	14.2 - 13.0	8.2 - 7.5	8.4 - 7.2	4.8 - 4.2	656	982	631	957	220	161	—	58.1	53.8
SB5-16	4	5.5	—	—	14.2 - 13.0	8.2 - 7.5	8.4 - 7.2	4.8 - 4.2	683	1009	658	984	220	161	—	58.7	54.4
SB5-18	5.5	7.5	—	—	18.5 - 15.8	10.7 - 9.1	10.7 - 9.4	6.2 - 5.4	767	1129	—	—	235	197	300	80.6	—
SB5-20	5.5	7.5	—	—	18.5 - 15.8	10.7 - 9.1	10.7 - 9.4	6.2 - 5.4	821	1183	—	—	235	197	300	81.8	—
SB5-22	5.5	7.5	—	—	18.5 - 15.8	10.7 - 9.1	10.7 - 9.4	6.2 - 5.4	875	1237	—	—	235	197	300	82.7	—
SB5-24	7.5	10	—	—	24.7 - 21.6	14.3 - 12.5	14.4 - 12.8	8.3 - 7.4	929	1334	—	—	235	197	300	89.6	—

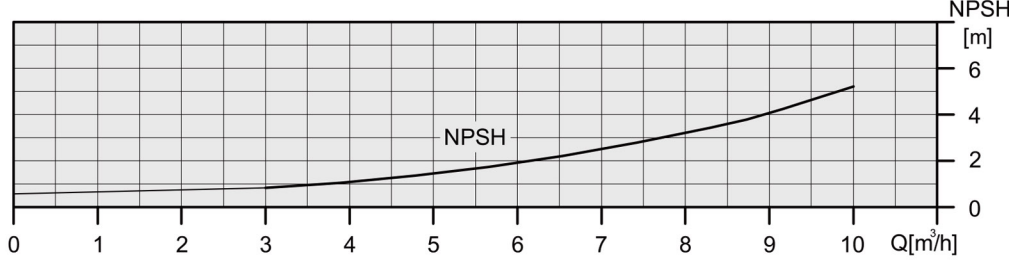
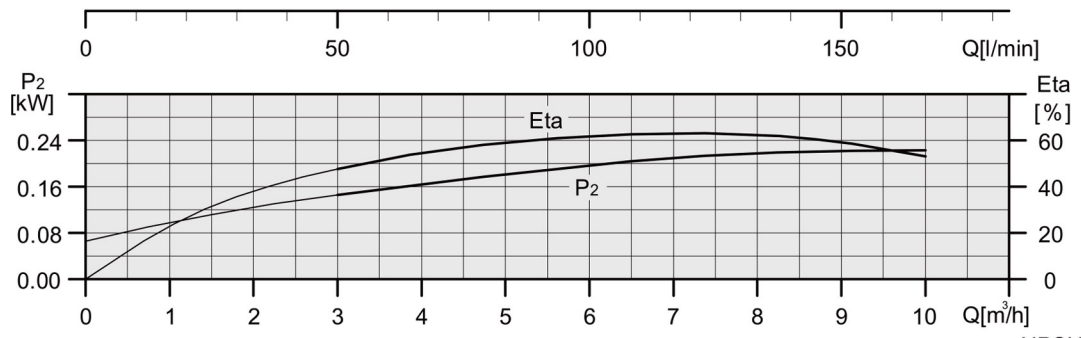
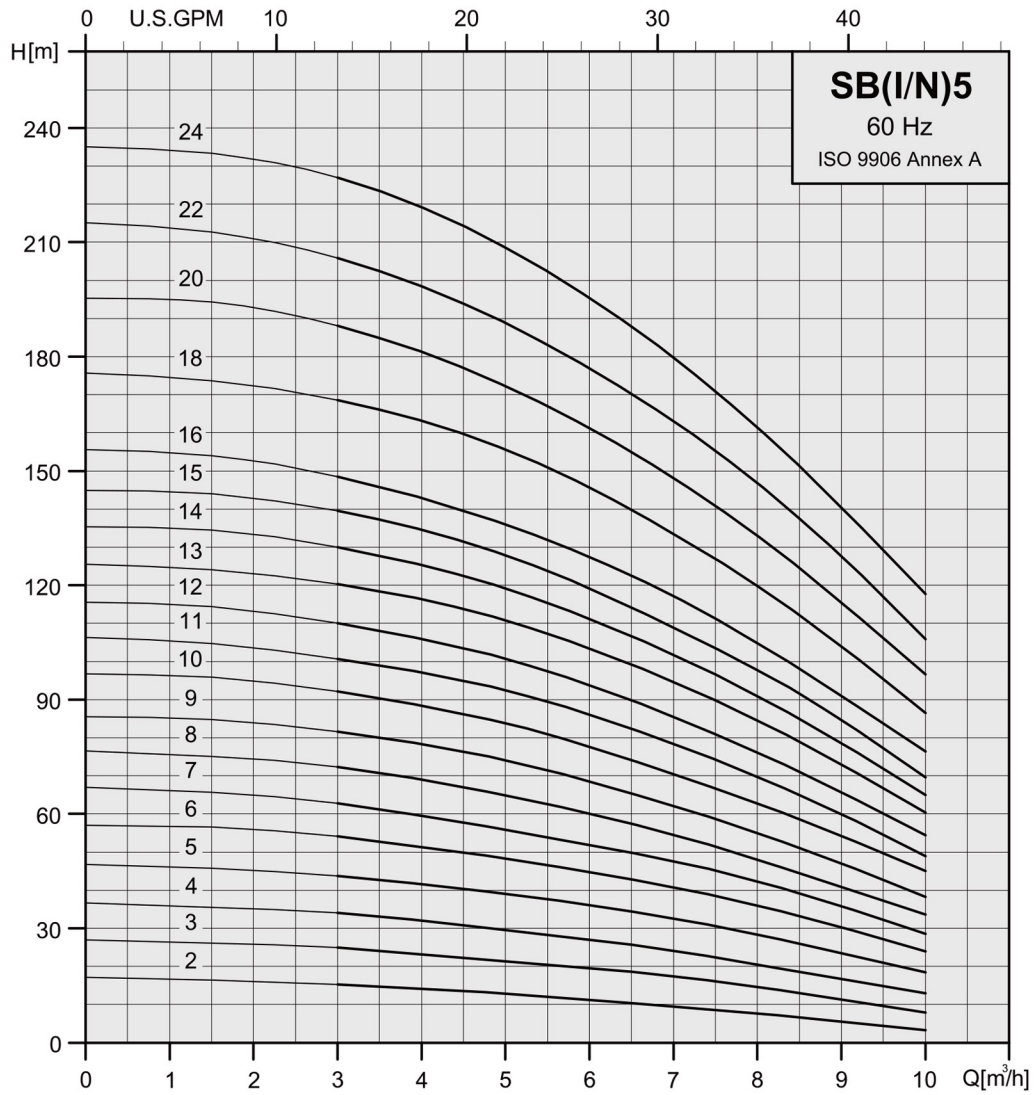
# Performance Curves

Vertical Multistage Centrifugal In-line Pumps

# SBI(N) 5



## SB, SBI, SBN 5





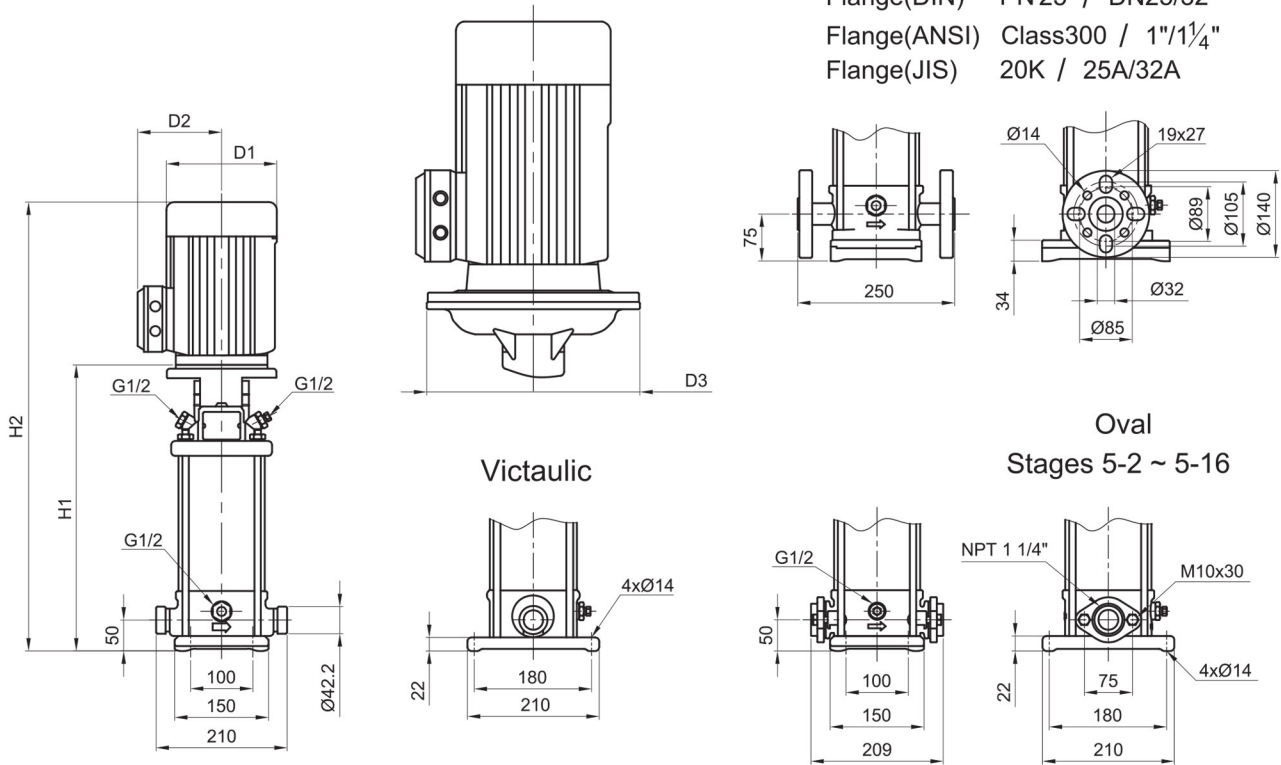
# Technical data

Vertical Multistage Centrifugal In-line Pumps

# SBI(N) 5



## SBI / SBN 5



Flange(DIN) PN25 / DN25/32  
 Flange(ANSI) Class300 / 1"1/4"  
 Flange(JIS) 20K / 25A/32A

Oval  
 Stages 5-2 ~ 5-16

## SBI, SBN 5

60Hz	Motor		Nominal current [A]					Dimension[mm]						Net weight [kg]						
	P <sub>2</sub>		1Ø		3Ø		3Ø	Vactaulic		DIN flange		OVAL		D1	D2	D3	Vactaulic	DIN flange	OVAL	
Pump type	[kW]	[HP]	110V/220V	220-240V	△220-255V	Y380-440V	△380-480V	Y660-830V	H1	H2	H1	H2	H1	H2	D1	D2	D3	Vactaulic	DIN flange	OVAL
SBI(N)5-2	0.55	0.75	8.0 / 4.0	—	2.4 - 2.4	1.4 - 1.4	—	—	257	452	282	477	257	452	141	115	—	19.7	20.6	17.4
SBI(N)5-3	1.1	1.5	—	7.6 - 8.9	4.5 - 4.2	2.6 - 2.4	—	—	290	579	315	604	290	579	177	141	—	29.0	30.0	26.8
SBI(N)5-4	1.1	1.5	—	7.6 - 8.9	4.5 - 4.2	2.6 - 2.4	—	—	317	606	342	631	317	606	177	141	—	29.6	30.5	27.3
Pump type	[kW]	[HP]	220-240V	△220-277V	Y380-480V	△380-480V	Y660-830V	H1	H2	H1	H2	H1	H2	D1	D2	D3	Vactaulic	DIN flange	OVAL	
SBI(N)5-5	1.5	2.0	—	9.6 - 9.7	5.9 - 6.1	3.4 - 3.5	—	—	360	655	385	680	360	655	177	141	—	34.3	35.3	32.1
SBI(N)5-6	2.2	3.0	—	13.8 - 12.5	8.6 - 7.9	5.0 - 4.6	—	—	387	682	412	707	387	682	177	141	—	36.6	37.6	34.4
SBI(N)5-7	2.2	3.0	—	13.8 - 12.5	8.6 - 7.9	5.0 - 4.6	—	—	414	709	439	734	414	709	177	141	—	37.1	38.1	34.9
SBI(N)5-8	2.2	3.0	—	13.8 - 12.5	8.6 - 7.9	5.0 - 4.6	—	—	441	736	466	761	441	736	177	141	—	37.7	38.6	35.4
SBI(N)5-9	2.2	3.0	—	13.8 - 12.5	8.6 - 7.9	5.0 - 4.6	—	—	468	763	493	788	468	763	177	141	—	38.2	39.2	35.9
SBI(N)5-10	3	4.0	—	—	11.4 - 10.5	6.6 - 6.1	6.5 - 6.1	3.8 - 3.5	500	816	525	841	500	816	197	147	—	47.4	48.3	45.1
SBI(N)5-11	3	4.0	—	—	11.4 - 10.5	6.6 - 6.1	6.5 - 6.1	3.8 - 3.5	527	843	552	868	527	843	197	147	—	47.9	48.8	45.6
SBI(N)5-12	3	4.0	—	—	11.4 - 10.5	6.6 - 6.1	6.5 - 6.1	3.8 - 3.5	554	870	579	895	554	870	197	147	—	48.4	49.4	46.2
SBI(N)5-13	4	5.5	—	—	14.2 - 13.0	8.2 - 7.5	8.4 - 7.2	4.8 - 4.2	581	907	606	932	581	907	220	161	—	53.0	53.9	50.7
SBI(N)5-14	4	5.5	—	—	14.2 - 13.0	8.2 - 7.5	8.4 - 7.2	4.8 - 4.2	608	934	633	959	608	934	220	161	—	53.5	54.5	51.3
SBI(N)5-15	4	5.5	—	—	14.2 - 13.0	8.2 - 7.5	8.4 - 7.2	4.8 - 4.2	635	961	660	986	635	961	220	161	—	54.1	55.0	51.8
SBI(N)5-16	4	5.5	—	—	14.2 - 13.0	8.2 - 7.5	8.4 - 7.2	4.8 - 4.2	662	988	687	1013	662	988	220	161	—	54.6	55.6	52.4
SBI(N)5-18	5.5	7.5	—	—	18.5 - 15.8	10.7 - 9.1	10.7 - 9.4	6.2 - 5.4	745	1107	770	1132	—	—	235	197	300	76.5	77.5	—
SBI(N)5-20	5.5	7.5	—	—	18.5 - 15.8	10.7 - 9.1	10.7 - 9.4	6.2 - 5.4	799	1161	824	1186	—	—	235	197	300	77.8	78.7	—
SBI(N)5-22	5.5	7.5	—	—	18.5 - 15.8	10.7 - 9.1	10.7 - 9.4	6.2 - 5.4	853	1215	878	1240	—	—	235	197	300	78.6	79.6	—
SBI(N)5-24	7.5	10	—	—	24.7 - 21.6	14.3 - 12.5	14.4 - 12.8	8.3 - 7.4	907	1312	932	1337	—	—	235	197	300	85.6	86.5	—

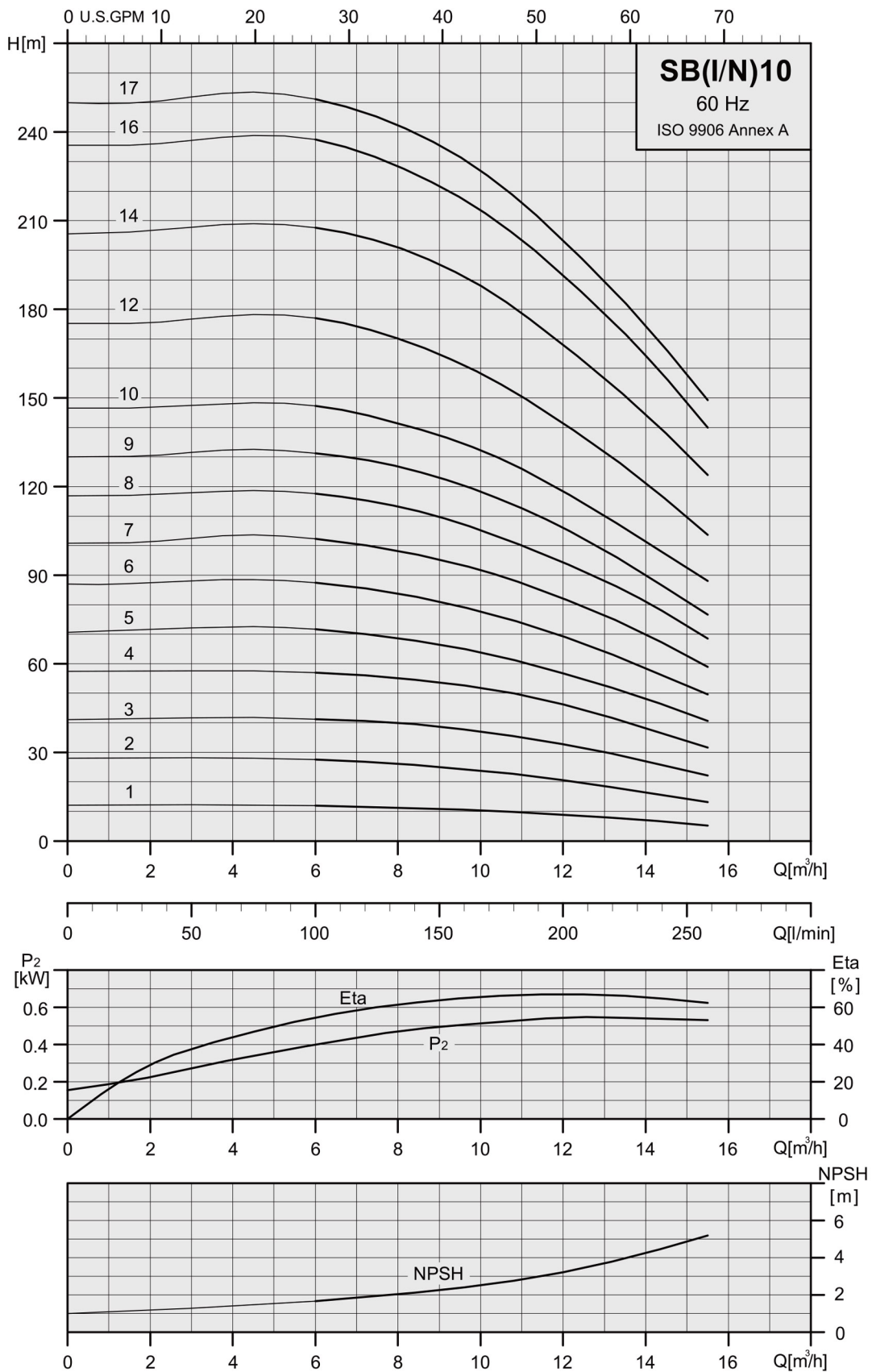
# Performance Curves

Vertical Multistage Centrifugal In-line Pumps

# SB 10



## SB, SBI, SBN 10



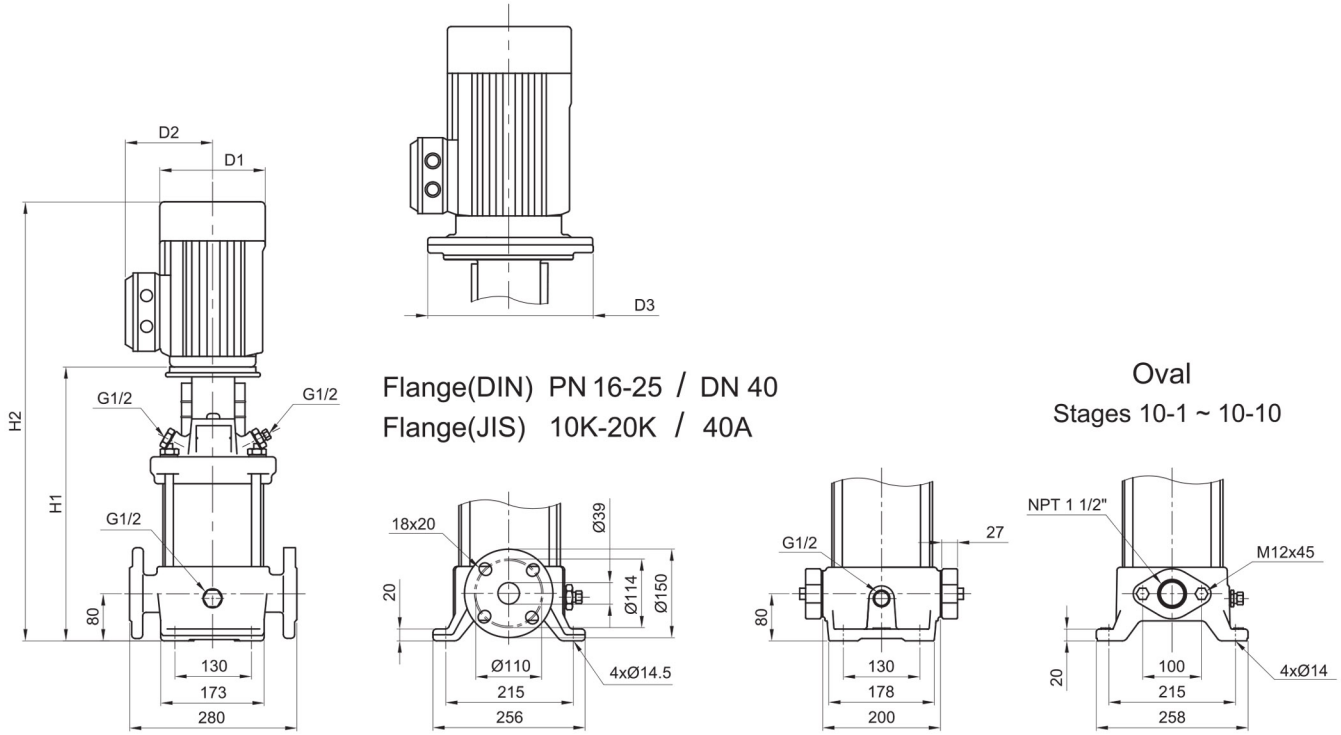
# Technical data

Vertical Multistage Centrifugal In-line Pumps

# SB 10



## SB 10



## SB 10

60Hz	Motor P <sub>2</sub>		Nominal current [A]						Dimension [mm]				Net weight [kg]				
			1Ø		3Ø		3Ø		DIN flange		OVAL		DIN flange	OVAL			
Pump type	[kW]	[HP]	110V/220V	220-240V	△220-255V	Y380-440V	△380-480V	Y660-830V	H1	H2	H1	H2			D1	D2	D3
SB10-1	0.75	1	10.4 / 5.2	—	3.1 - 3.1	1.8 - 1.8	—	—	347	582	347	582	141	115	—	38.0	34.6
Pump type	[kW]	[HP]	110V/220V	220-240V	△220-277V	Y380-480V	△380-480V	Y660-830V	H1	H2	H1	H2	D1	D2	D3	DIN flange	OVAL
SB10-2	1.5	2	—	9.6 - 9.7	5.9 - 6.1	3.4 - 3.5	—	—	363	658	363	658	177	141	—	49.0	45.6
SB10-3	2.2	3	—	13.8 - 12.5	8.6 - 7.9	5.0 - 4.6	—	—	393	688	393	688	177	141	—	51.9	48.5
SB10-4	3	4	—	—	11.4 - 10.5	6.6 - 6.1	6.5 - 6.1	3.8 - 3.5	428	744	428	744	197	147	—	62.1	58.7
SB10-5	3	4	—	—	11.4 - 10.5	6.6 - 6.1	6.5 - 6.1	3.8 - 3.5	458	774	458	774	197	147	—	63.1	59.7
SB10-6	4	5.5	—	—	14.2 - 13.0	8.2 - 7.5	8.4 - 7.2	4.8 - 4.2	488	814	488	814	220	161	—	68.2	64.8
SB10-7	5.5	7.5	—	—	18.5 - 15.8	10.7 - 9.1	10.7 - 9.4	6.2 - 5.4	550	912	550	912	235	197	300	96.1	92.7
SB10-8	5.5	7.5	—	—	18.5 - 15.8	10.7 - 9.1	10.7 - 9.4	6.2 - 5.4	580	942	580	942	235	197	300	97.2	93.8
SB10-9	5.5	7.5	—	—	18.5 - 15.8	10.7 - 9.1	10.7 - 9.4	6.2 - 5.4	610	972	610	972	235	197	300	98.2	94.8
SB10-10	7.5	10	—	—	24.7 - 21.6	14.3 - 12.5	14.4 - 12.8	8.3 - 7.4	640	1045	640	1045	235	197	300	105.2	101.8
SB10-12	7.5	10	—	—	24.7 - 21.6	14.3 - 12.5	14.4 - 12.8	8.3 - 7.4	700	1105	—	—	235	197	300	107.2	—
SB10-14	11	15	—	—	37.0 - 33.9	21.4 - 19.6	21.5 - 20.6	12.4 - 11.9	837	1282	—	—	269	215	350	140.5	—
SB10-16	11	15	—	—	37.0 - 33.9	21.4 - 19.6	21.5 - 20.6	12.4 - 11.9	897	1342	—	—	269	215	350	142.6	—
SB10-17	11	15	—	—	37.0 - 33.9	21.4 - 19.6	21.5 - 20.6	12.4 - 11.9	927	1372	—	—	269	215	350	143.7	—

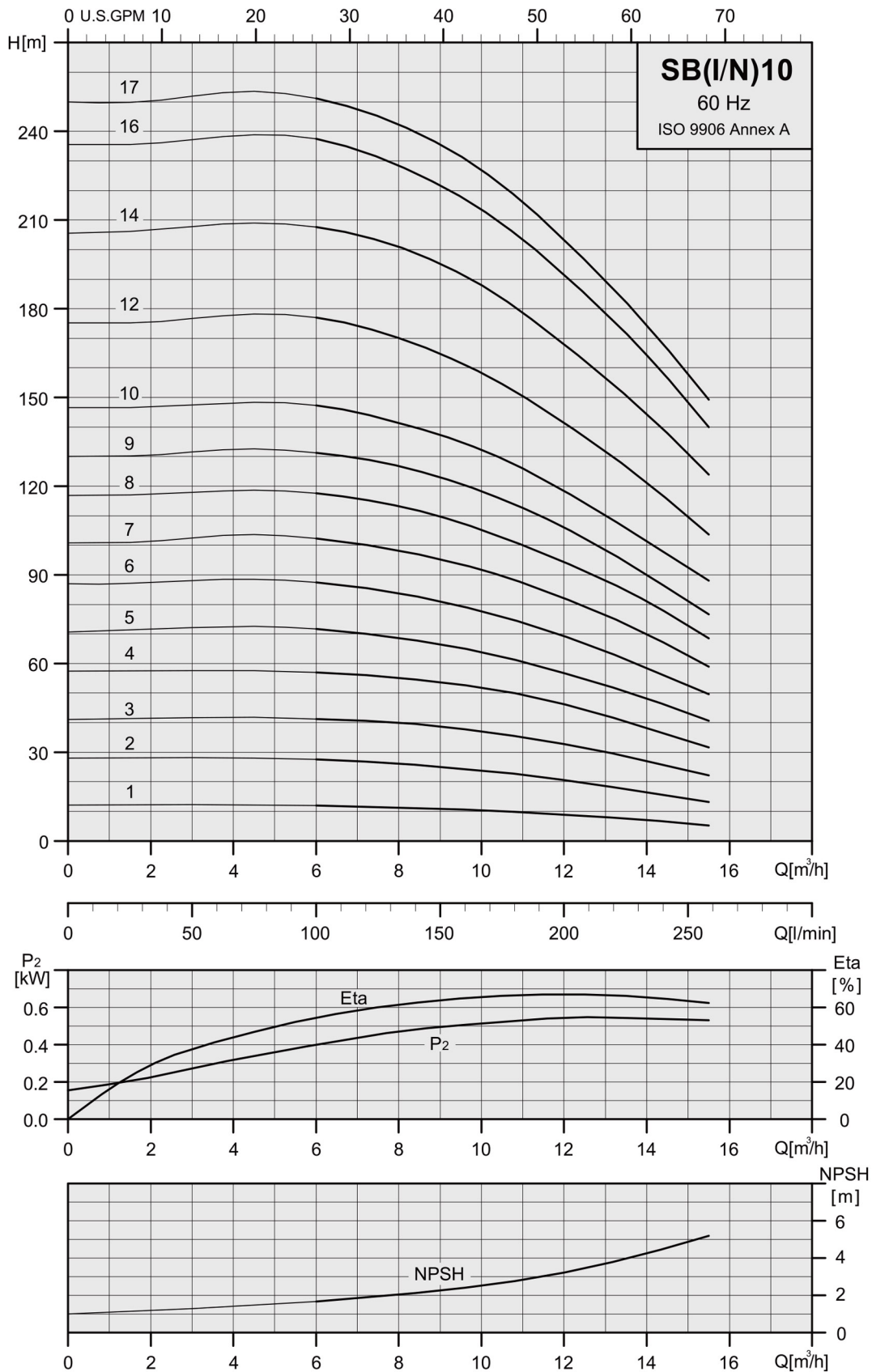
# Performance Curves

Vertical Multistage Centrifugal In-line Pumps

# SBI(N) 10



## SB, SBI, SBN 10





# Technical data

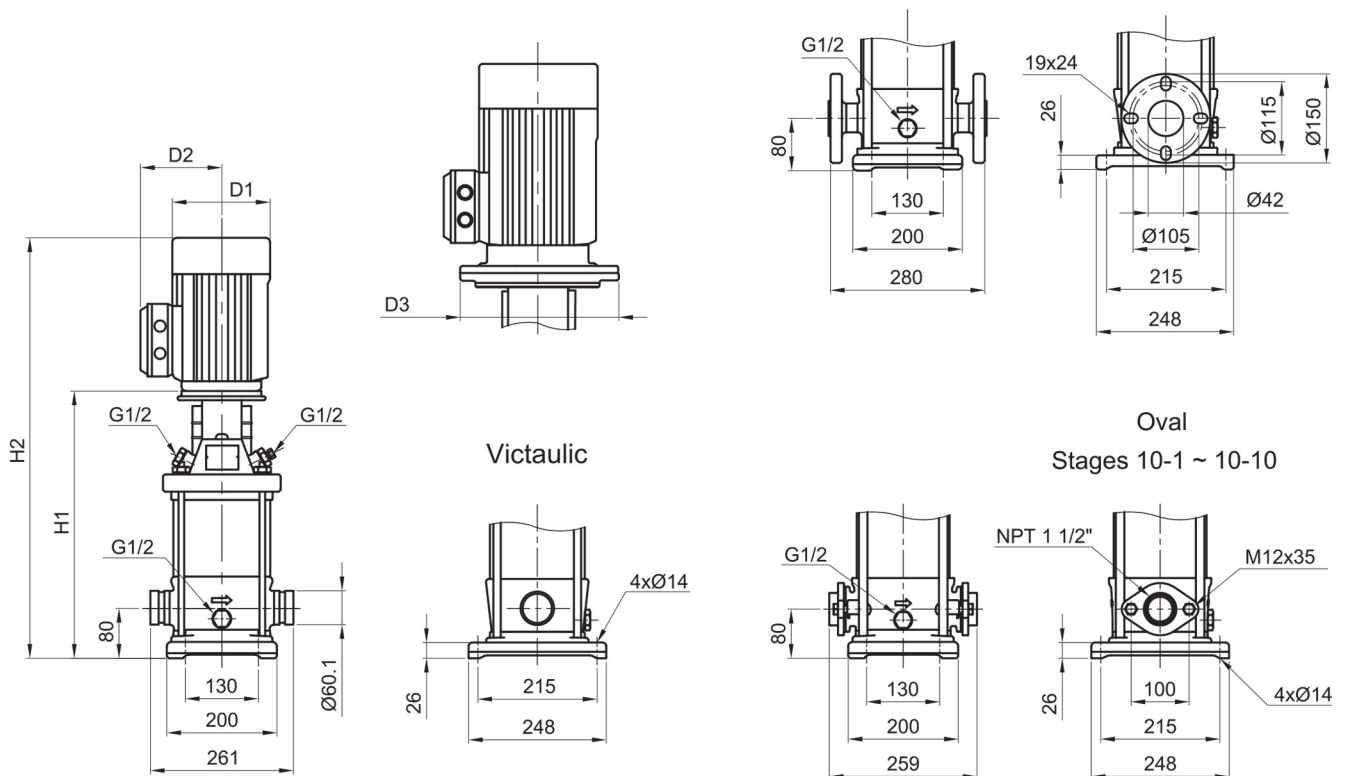
Vertical Multistage Centrifugal In-line Pumps

# SBI(N) 10



## SBI / SBN 10

Flange(DIN) PN 16-25 / DN40  
 Flange(ANSI) Class150-300 / 1 1/2"  
 Flange(JIS) 10K-20K / 40A



## SBI ,SBN 10

60Hz	Motor		Nominal current [A]						Dimension[mm]						Net weight [kg]					
	P <sub>2</sub>		1Ø	3Ø	3Ø	3Ø	3Ø	Vactaulic	DIN flange	OVAL					Vactaulic	DIN flange	OVAL			
Pump type	[kW]	[HP]	110V/220V	220-240V	△220-255V	Y380-440V	△380-480V	Y660-830V	H1	H2	H1	H2	H1	H2	D1	D2	D3	Vactaulic	DIN flange	OVAL
SBI(N)10-1	0.75	1	10.4 / 5.2	—	3.1 - 3.1	1.8 - 1.8	—	—	357	592	357	592	357	592	141	115	—	34.1	34.0	32.5
Pump type	[kW]	[HP]		220-240V	△220-277V	Y380-480V	△380-480V	Y660-830V	H1	H2	H1	H2	H1	H2	D1	D2	D3	Vactaulic	DIN flange	OVAL
SBI(N)10-2	1.5	2	—	9.6 - 9.7	5.9 - 6.1	3.4 - 3.5	—	—	373	668	373	668	373	668	177	141	—	45.1	45.0	43.5
SBI(N)10-3	2.2	3	—	13.8 - 12.5	8.6 - 7.9	5.0 - 4.6	—	—	403	698	403	698	403	698	177	141	—	47.9	47.8	46.3
SBI(N)10-4	3	4	—	—	11.4 - 10.5	6.6 - 6.1	6.5 - 6.1	3.8 - 3.5	438	754	438	754	438	754	197	147	—	57.3	57.2	55.7
SBI(N)10-5	3	4	—	—	11.4 - 10.5	6.6 - 6.1	6.5 - 6.1	3.8 - 3.5	468	784	468	784	468	784	197	147	—	58.4	58.2	56.7
SBI(N)10-6	4	5.5	—	—	14.2 - 13.0	8.2 - 7.5	8.4 - 7.2	4.8 - 4.2	498	824	498	824	498	824	220	161	—	63.4	63.3	61.8
SBI(N)10-7	5.5	7.5	—	—	18.5 - 15.8	10.7 - 9.1	10.7 - 9.4	6.2 - 5.4	560	922	560	922	560	922	235	197	300	92.5	92.4	90.9
SBI(N)10-8	5.5	7.5	—	—	18.5 - 15.8	10.7 - 9.1	10.7 - 9.4	6.2 - 5.4	590	952	590	952	590	952	235	197	300	93.6	93.4	91.9
SBI(N)10-9	5.5	7.5	—	—	18.5 - 15.8	10.7 - 9.1	10.7 - 9.4	6.2 - 5.4	620	982	620	982	620	982	235	197	300	94.6	94.4	92.9
SBI(N)10-10	7.5	10	—	—	24.7 - 21.6	14.3 - 12.5	14.4 - 12.8	8.3 - 7.4	650	1055	650	1055	650	1055	235	197	300	101.5	101.4	99.9
SBI(N)10-12	7.5	10	—	—	24.7 - 21.6	14.3 - 12.5	14.4 - 12.8	8.3 - 7.4	710	1115	710	1115	—	—	235	197	300	103.6	103.4	—
SBI(N)10-14	11	15	—	—	37.0 - 33.9	21.4 - 19.6	21.5 - 20.6	12.4 - 11.9	847	1292	847	1292	—	—	269	215	350	137.2	137.0	—
SBI(N)10-16	11	15	—	—	37.0 - 33.9	21.4 - 19.6	21.5 - 20.6	12.4 - 11.9	907	1352	907	1352	—	—	269	215	350	139.2	139.1	—
SBI(N)10-17	11	15	—	—	37.0 - 33.9	21.4 - 19.6	21.5 - 20.6	12.4 - 11.9	937	1382	937	1382	—	—	269	215	350	140.4	140.2	—

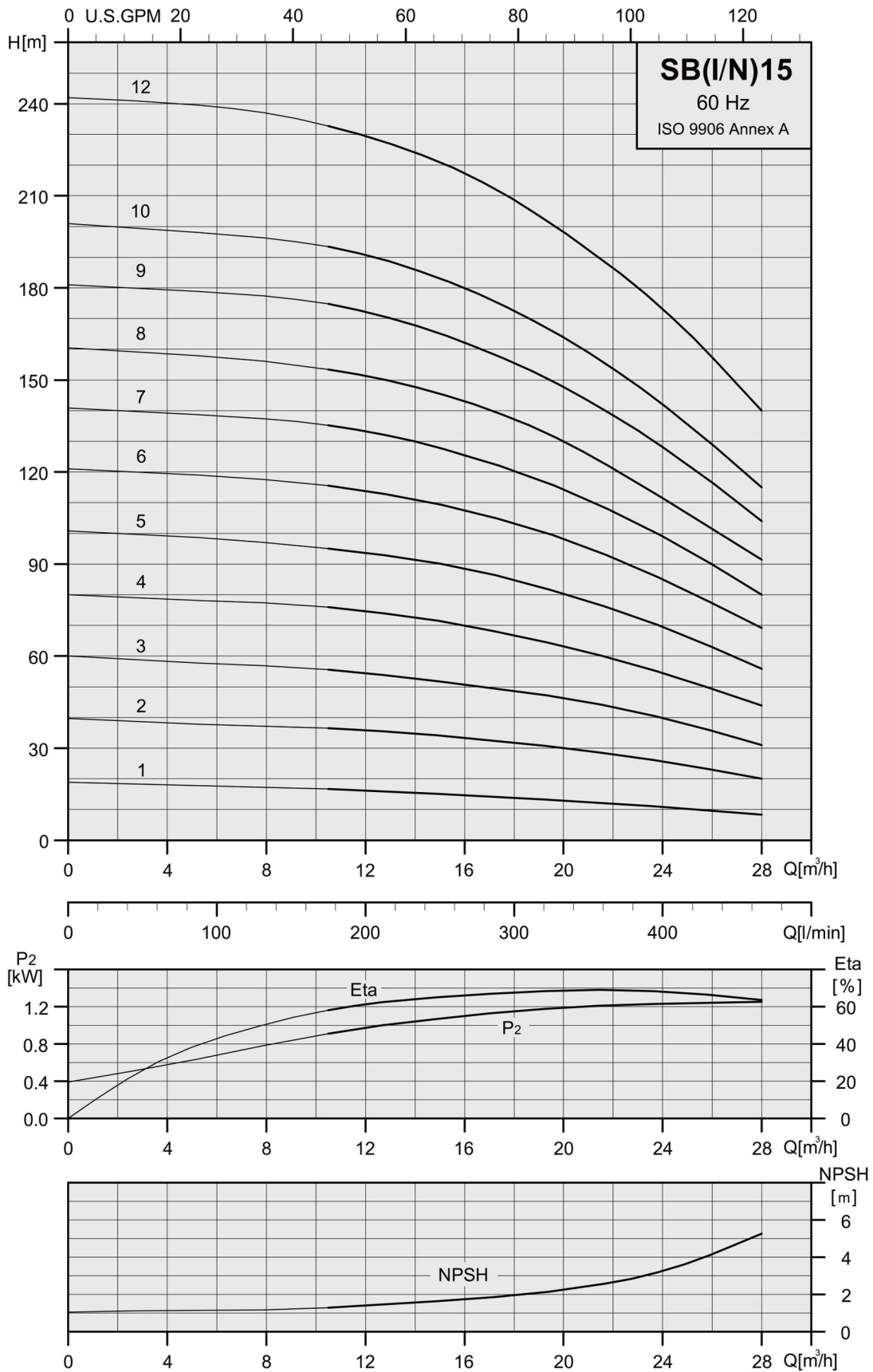
# Performance Curves

Vertical Multistage Centrifugal In-line Pumps

# SB 15



## SB, SBI, SBN 15



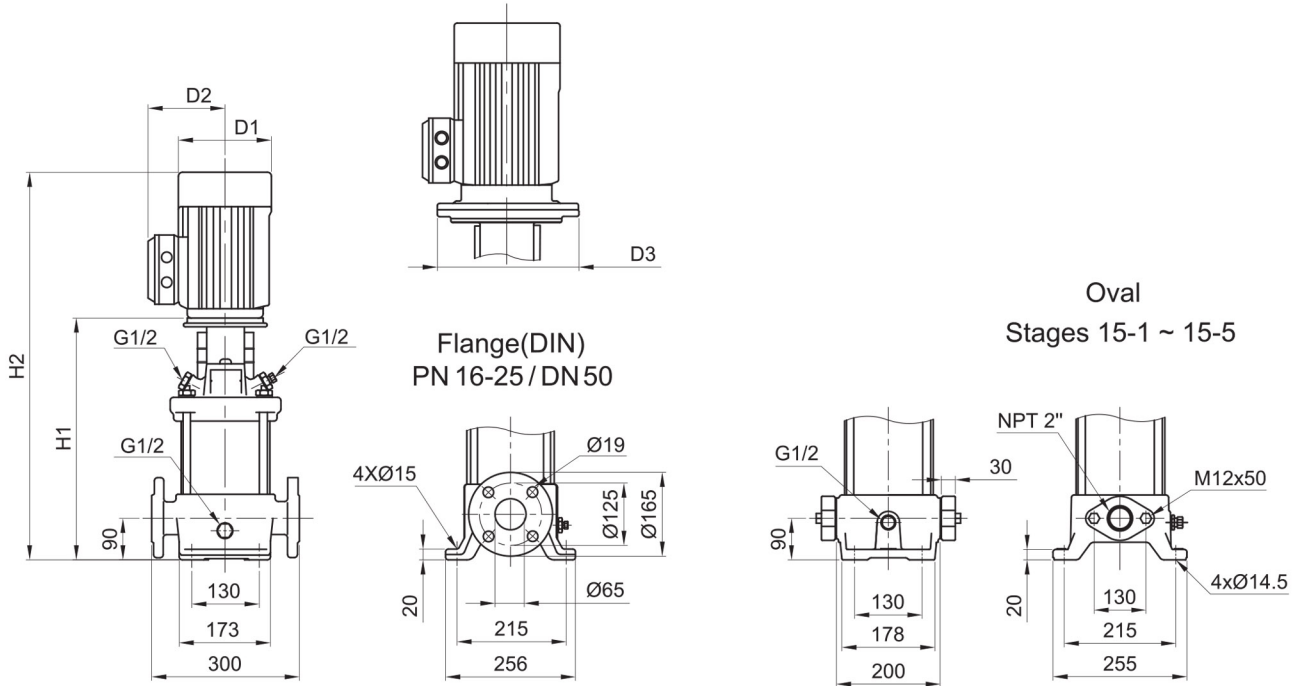
# Technical data

Vertical Multistage Centrifugal In-line Pumps

# SB 15



## SB 15



## SB 15

60Hz	Motor		Nominal current [A]					Dimension[mm]						Net weight [kg]		
	P <sub>2</sub>		1Ø	3Ø	3Ø	3Ø	3Ø	DIN flange		OVAL		D1	D2	D3	DIN flange	OVAL
Pump type	[kW]	[HP]	220-240V	△220-277V	Y380-480V	△380-480V	Y660-830V	H1	H2	H1	H2	D1	D2	D3		
SB15-1	1.5	2	9.6 - 9.7	5.9 - 6.1	3.4 - 3.5	—	—	415	710	415	710	177	141	—	53.6	52.0
SB15-2	3	4	—	11.4 - 10.5	6.6 - 6.1	6.5 - 6.1	3.8 - 3.5	420	736	420	736	197	147	—	64.9	63.3
SB15-3	4	5.5	—	14.2 - 13.0	8.2 - 7.5	8.4 - 7.2	4.8 - 4.2	465	791	465	791	220	161	—	70.3	68.7
SB15-4	5.5	7.5	—	18.5 - 15.8	10.7 - 9.1	10.7 - 9.4	6.2 - 5.4	542	904	542	904	235	197	300	98.7	97.1
SB15-5	7.5	10	—	24.7 - 21.6	14.3 - 12.5	14.4 - 12.8	8.3 - 7.4	587	992	587	992	235	197	300	106.0	104.4
SB15-6	11	15	—	37.0 - 33.9	21.4 - 19.6	21.5 - 20.6	12.4 - 11.9	709	1154	—	—	269	215	350	138.7	—
SB15-7	11	15	—	37.0 - 33.9	21.4 - 19.6	21.5 - 20.6	12.4 - 11.9	754	1199	—	—	269	215	350	140.2	—
SB15-8	11	15	—	37.0 - 33.9	21.4 - 19.6	21.5 - 20.6	12.4 - 11.9	799	1244	—	—	269	215	350	141.6	—
SB15-9	15	20	—	48.5 - 40.7	28.0 - 23.5	28.5 - 24.9	16.4 - 14.3	844	1334	—	—	269	215	350	153.7	—
SB15-10	15	20	—	48.5 - 40.7	28.0 - 23.5	28.5 - 24.9	16.4 - 14.3	889	1379	—	—	269	215	350	155.2	—
SB15-12	18.5	25	—	59.7 - 49.3	34.5 - 28.5	34.6 - 28.9	19.9 - 16.6	979	1519	—	—	318	241	350	192.0	—

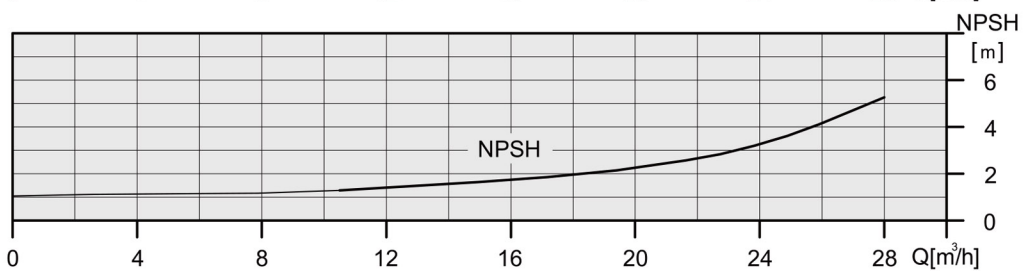
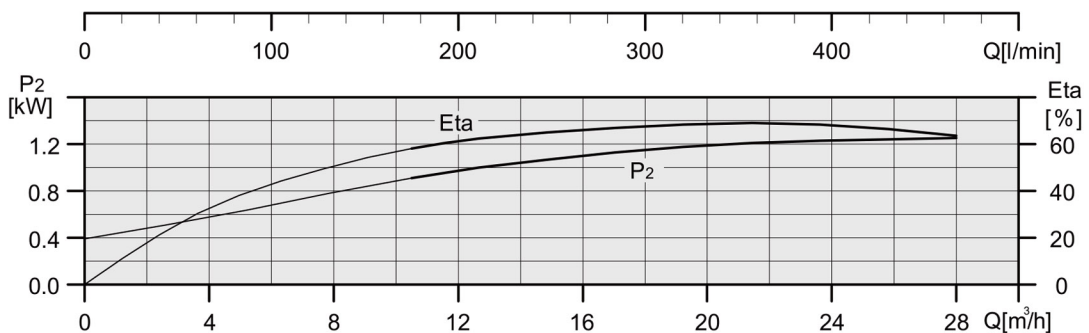
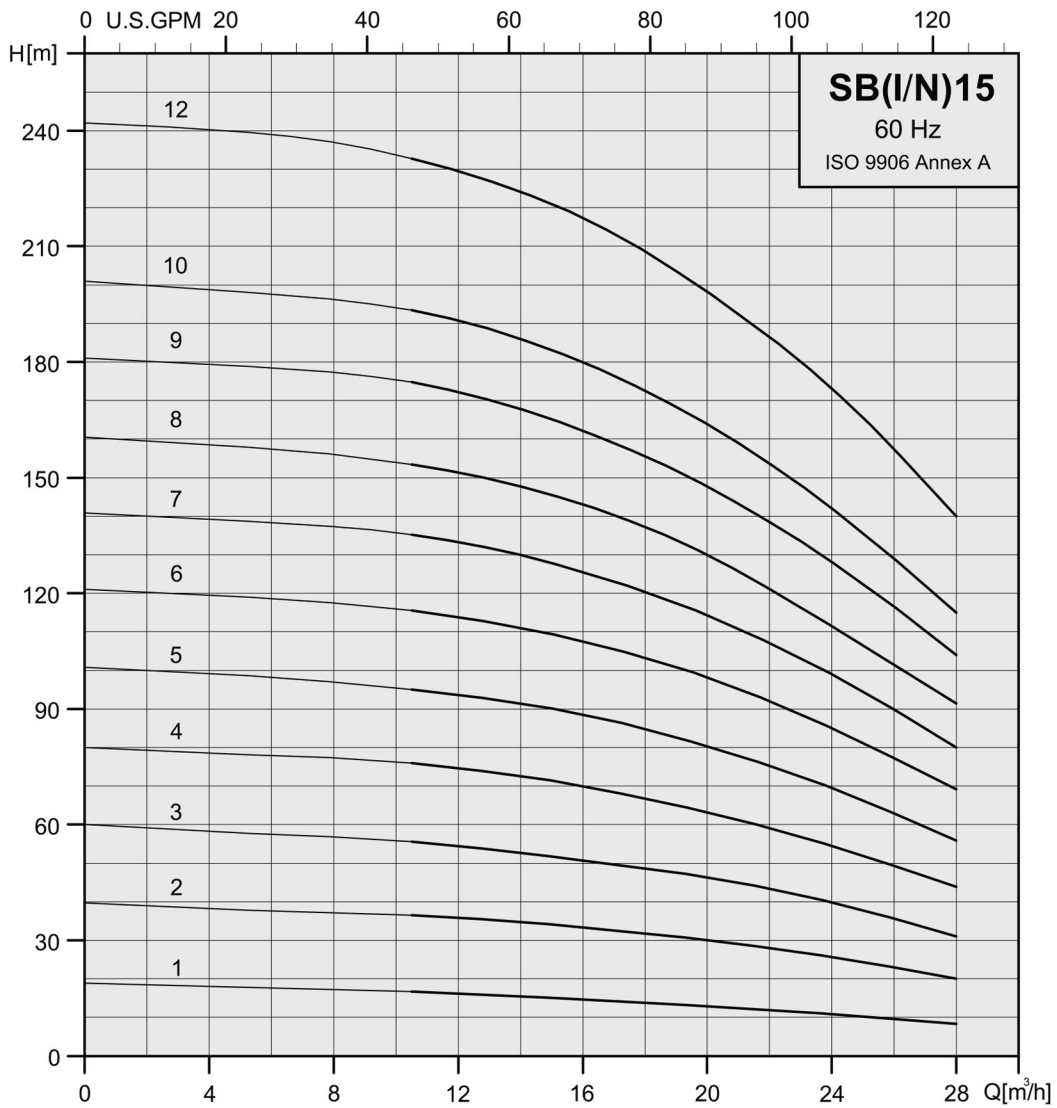
# Performance Curves

Vertical Multistage Centrifugal In-line Pumps

# SB(I/N) 15



## SB, SBI, SBN 15





# Technical data

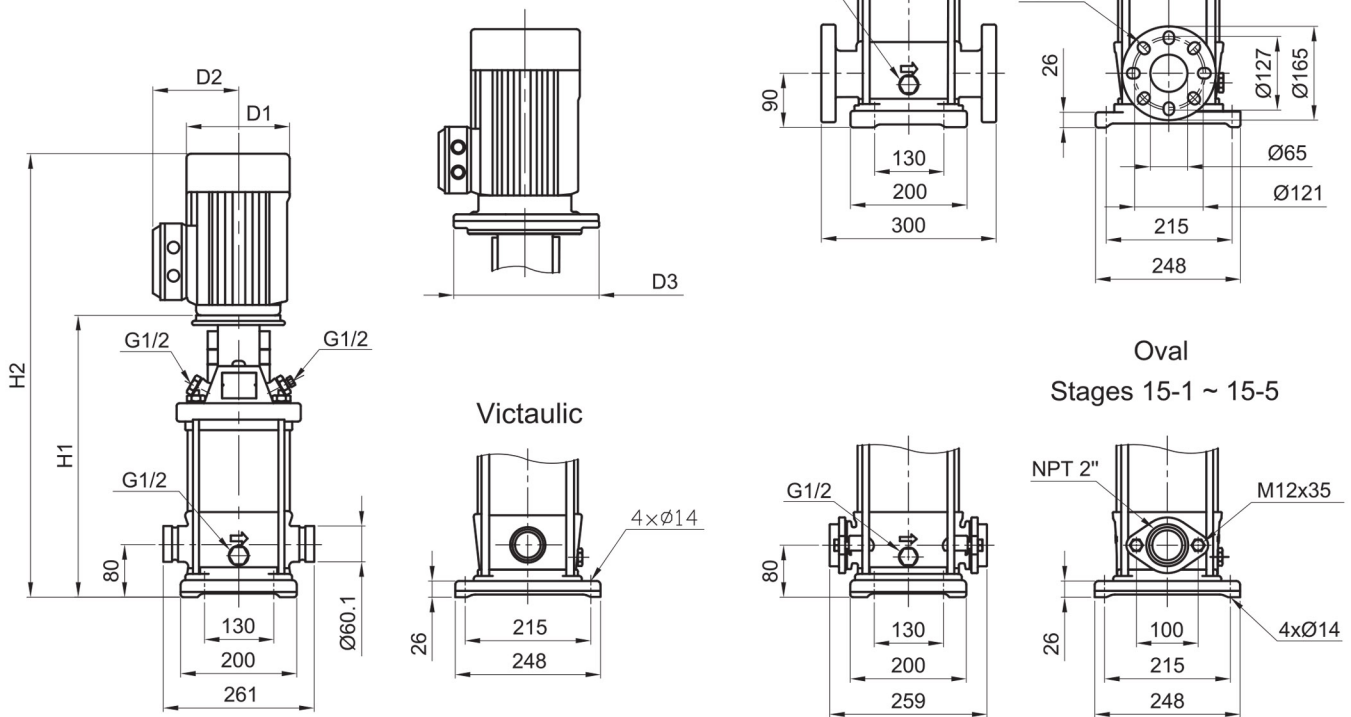
Vertical Multistage Centrifugal In-line Pumps

# SB(I/N) 15



## SBI / SBN 15

Flange(DIN) PN 16-25 / DN50  
 Flange(ANSI) Class150-300 / 2"  
 Flange(JIS) 10K-20K / 50A



## SBI ,SBN 15

60Hz	Motor P <sub>2</sub>	Nominal current [A]						Dimension[mm]						Net weight [kg]				
		1Ø	3Ø		3Ø			Vactaulic		DIN flange		OVAL		D1	D2	D3	Vactaulic	DIN flange
Pump type	[kW] [HP]	220-240V	△220-277V	Y380-480V	△380-480V	Y660-830V	H1	H2	H1	H2	H1	H2	D1					
SBI(N)15-1	1.5 2	9.6 - 9.7	5.9 - 6.1	3.4 - 3.5	—	—	403	698	413	708	403	698	177	141	—	45.6	46.3	42.7
SBI(N)15-2	3 4	—	11.4 - 10.5	6.6 - 6.1	6.5 - 6.1	3.8 - 3.5	408	724	418	734	408	724	197	147	—	56.1	56.7	53.1
SBI(N)15-3	4 5.5	—	14.2 - 13.0	8.2 - 7.5	8.4 - 7.2	4.8 - 4.2	453	779	463	789	453	779	220	161	—	61.5	62.1	58.5
SBI(N)15-4	5.5 7.5	—	18.5 - 15.8	10.7 - 9.1	10.7 - 9.4	6.2 - 5.4	530	892	540	902	530	892	235	197	300	91.0	91.6	88.0
SBI(N)15-5	7.5 10	—	24.7 - 21.6	14.3 - 12.5	14.4 - 12.8	8.3 - 7.4	575	980	585	990	575	980	235	197	300	98.3	99.0	95.3
SBI(N)15-6	11 15	—	37.0 - 33.9	21.4 - 19.6	21.5 - 20.6	12.4 - 11.9	697	1142	707	1152	—	—	269	215	350	131.4	132.0	—
SBI(N)15-7	11 15	—	37.0 - 33.9	21.4 - 19.6	21.5 - 20.6	12.4 - 11.9	742	1187	752	1197	—	—	269	215	350	132.8	133.4	—
SBI(N)15-8	11 15	—	37.0 - 33.9	21.4 - 19.6	21.5 - 20.6	12.4 - 11.9	787	1232	797	1242	—	—	269	215	350	134.2	134.8	—
SBI(N)15-9	15 20	—	48.5 - 40.7	28.0 - 23.5	28.5 - 24.9	16.4 - 14.3	832	1322	842	1332	—	—	269	215	350	146.4	147.0	—
SBI(N)15-10	15 20	—	48.5 - 40.7	28.0 - 23.5	28.5 - 24.9	16.4 - 14.3	877	1367	887	1377	—	—	269	215	350	147.9	148.5	—
SBI(N)15-12	18.5 25	—	59.7 - 49.3	34.5 - 28.5	34.6 - 28.9	19.9 - 16.6	967	1507	977	1517	—	—	318	241	350	184.5	182.2	—

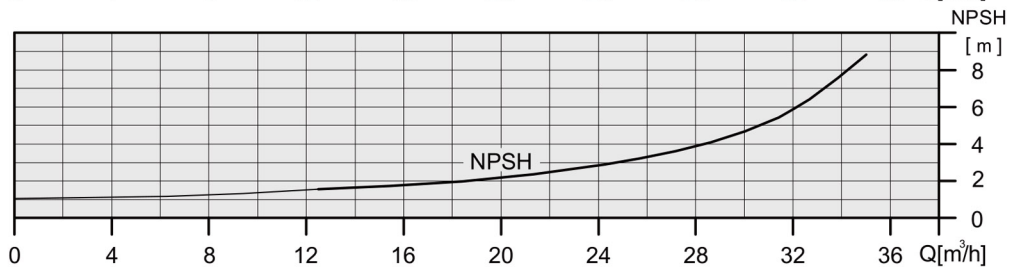
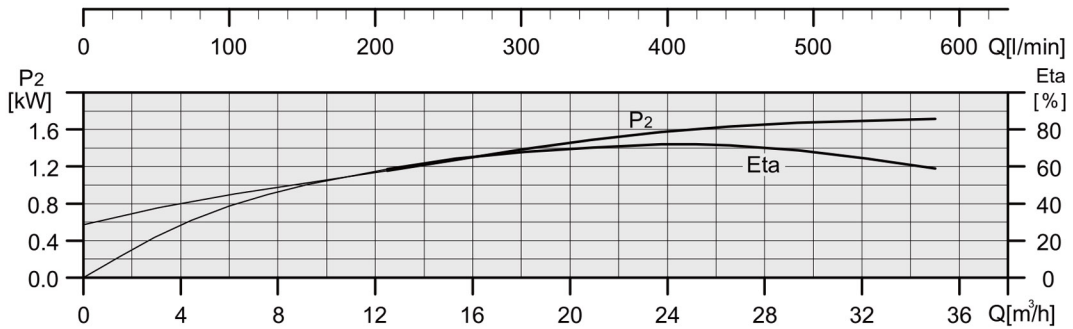
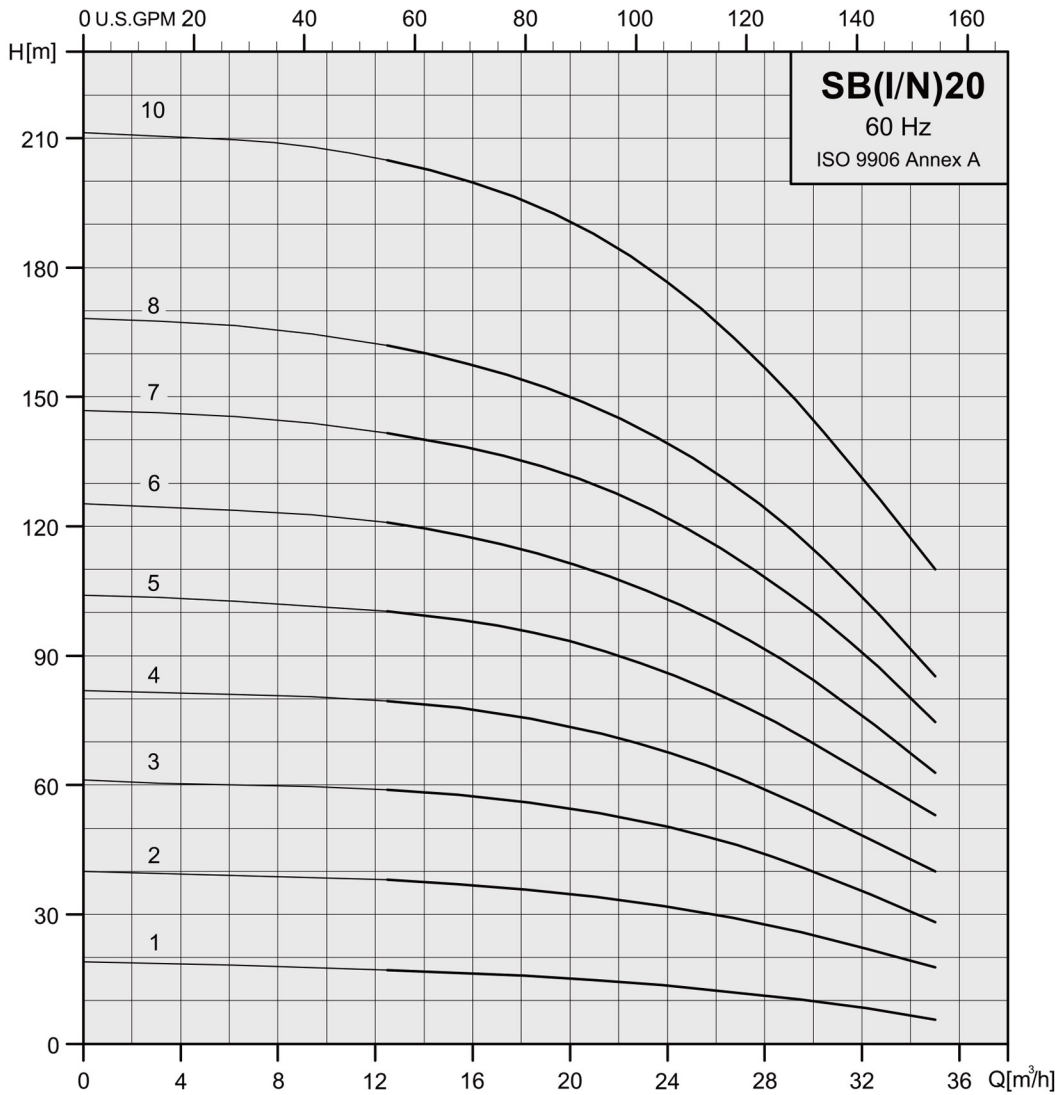
# Performance Curves

Vertical Multistage Centrifugal In-line Pumps

# SB 20



## SB, SBI, SBN 20



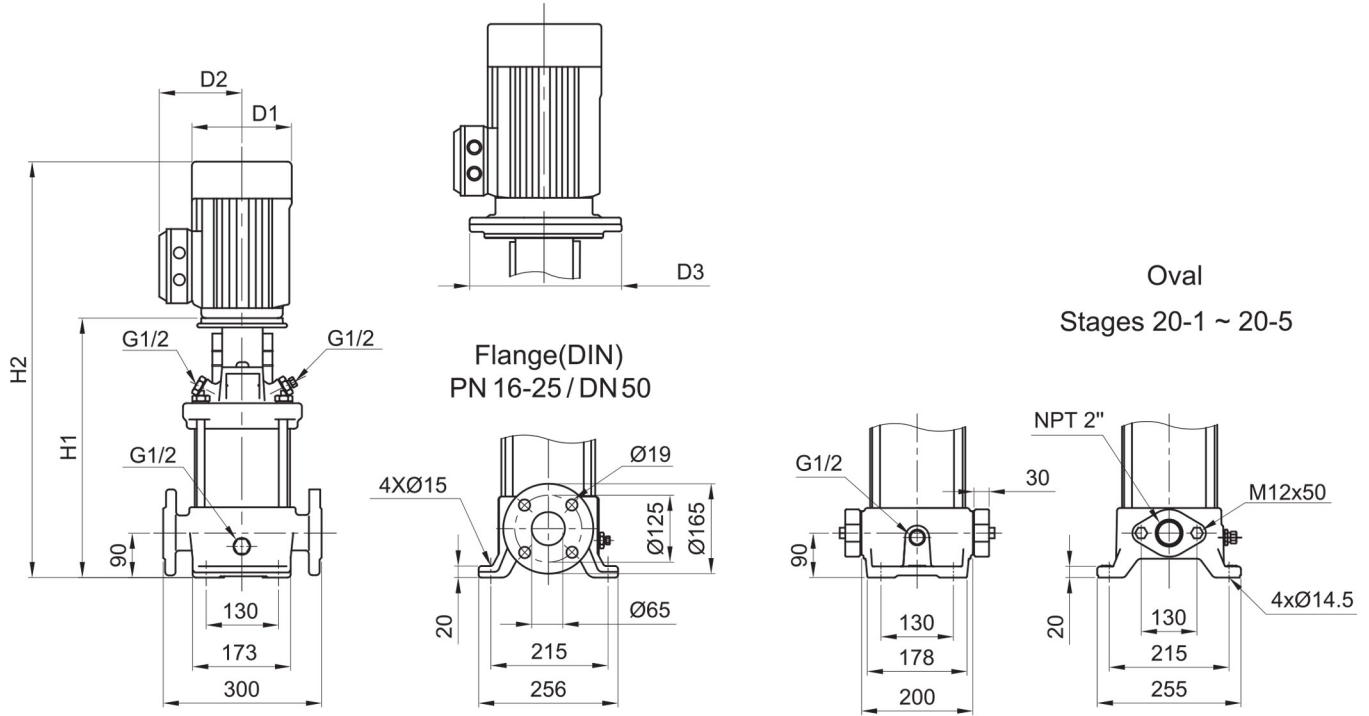
# Technical data

Vertical Multistage Centrifugal In-line Pumps

# SB 20



## SB 20



## SB 20

60Hz	Motor P <sub>2</sub>		Nominal current [A]					Dimension [mm]						Net weight [kg]		
			1Ø	3Ø		3Ø	DIN flange		OVAL		D1	D2	D3	DIN flange	OVAL	
Pump type	[kW]	[HP]	220-240V	△220-277V	Y380-480V	△380-480V	Y660-830V	H1	H2	H1	H2	D1	D2	D3	DIN flange	OVAL
SB 20-1	2.2	3	13.8 - 12.5	8.6 - 7.9	5.0 - 4.6	—	—	415	710	415	710	177	141	—	55.4	53.8
SB 20-2	4	5.5	—	14.2 - 13.0	8.2 - 7.5	8.4 - 7.2	4.8 - 4.2	420	746	420	746	220	161	—	68.9	67.3
SB 20-3	5.5	7.5	—	18.5 - 15.8	10.7 - 9.1	10.7 - 9.4	6.2 - 5.4	497	859	497	859	235	197	300	97.4	95.8
SB 20-4	7.5	10	—	24.7 - 21.6	14.3 - 12.5	14.4 - 12.8	8.3 - 7.4	542	947	542	947	235	197	300	104.6	102.9
SB 20-5	11	15	—	37.0 - 33.9	21.4 - 19.6	21.5 - 20.6	12.4 - 11.9	664	1109	664	1109	269	215	350	137.2	135.6
SB 20-6	11	15	—	37.0 - 33.9	21.4 - 19.6	21.5 - 20.6	12.4 - 11.9	709	1154	—	—	269	215	350	138.7	—
SB 20-7	15	20	—	48.5 - 40.7	28.0 - 23.5	28.5 - 24.9	16.4 - 14.3	754	1244	—	—	269	215	350	150.9	—
SB 20-8	15	20	—	48.5 - 40.7	28.0 - 23.5	28.5 - 24.9	16.4 - 14.3	799	1289	—	—	269	215	350	152.3	—
SB 20-10	18.5	25	—	59.7 - 49.3	34.5 - 28.5	34.6 - 28.9	19.9 - 16.6	889	1429	—	—	318	241	350	189.0	—

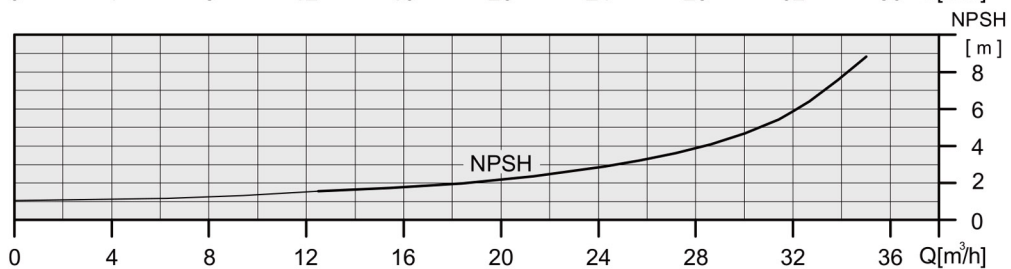
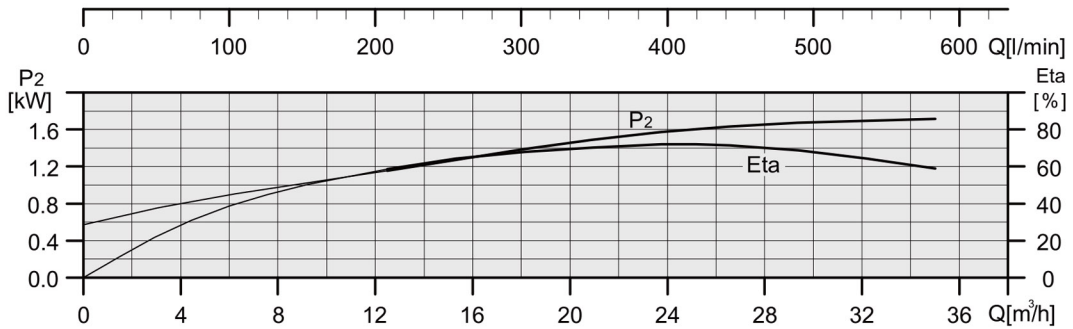
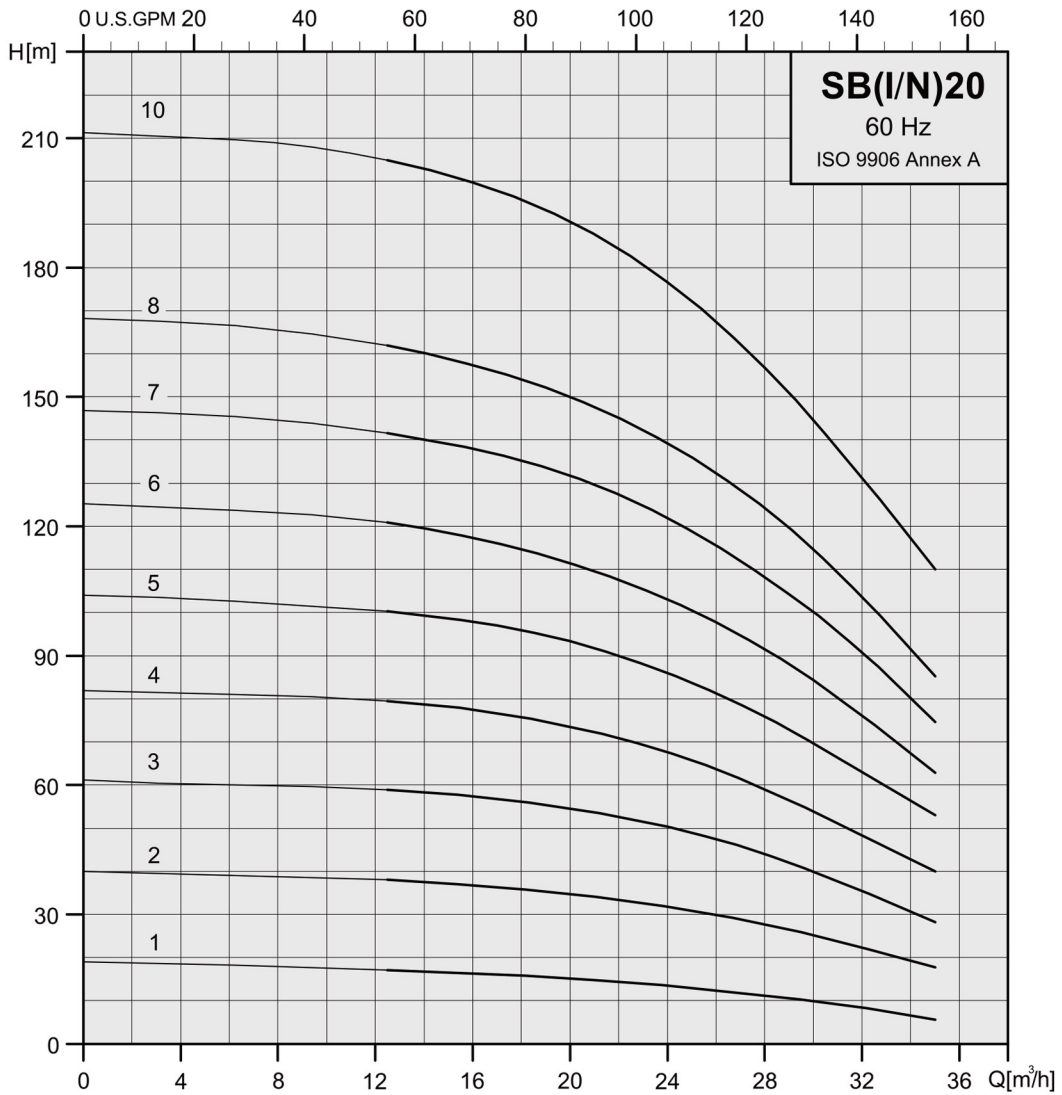
# Performance Curves

Vertical Multistage Centrifugal In-line Pumps

# SB(I/N) 20



## SB, SBI, SBN 20





# Technical data

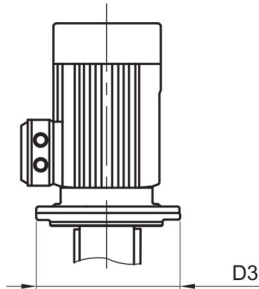
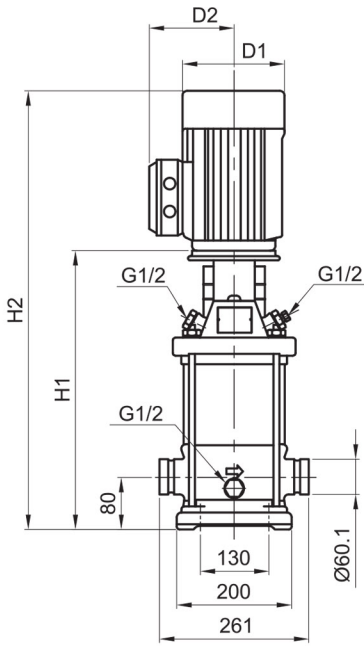
Vertical Multistage Centrifugal In-line Pumps

# SB(I/N) 20

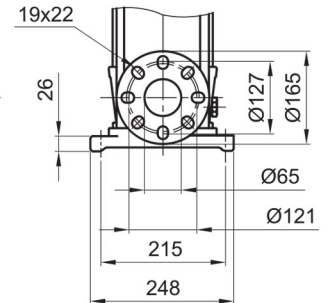
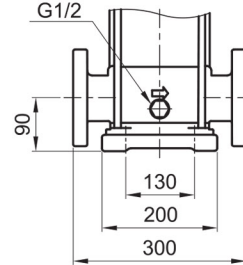
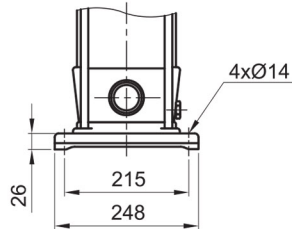


## SBI / SBN 20

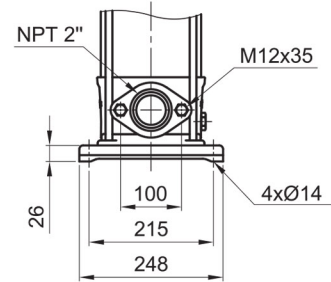
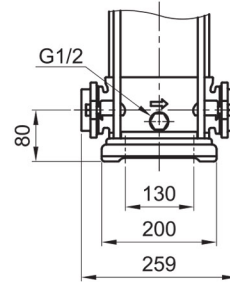
Flange(DIN) PN 16-25 / DN50  
 Flange(ANSI) Class150-300 / 2"  
 Flange(JIS) 10K-20K / 50A



Victaulic



Oval  
 Stages 20-1 ~ 20-5



## SBI ,SBN 20

60Hz	Motor P <sub>2</sub>		Nominal current [A]					Dimension[mm]									Net weight [kg]					
			1Ø	3Ø	3Ø	3Ø	3Ø	Vactaulic		DIN flange		OVAL		D1	D2	D3	Victaulic	DIN flange	OVAL			
Pump type	[kW]	[HP]	220-240V	△220-277V	Y380-480V	△380-480V	Y660-830V	H1	H2	H1	H2	H1	H2	H1	H2	D1	D2	D3	Victaulic	DIN flange	OVAL	
SBI(N) 20-1	2.2	3	13.8 - 12.5	8.6 - 7.9	5.0 - 4.6	—	—	405	700	415	710	405	700	177	141	—	47.4	48.1	44.4			
SBI(N) 20-2	4	5.5	—	14.2 - 13.0	8.2 - 7.5	8.4 - 7.2	4.8 - 4.2	410	736	420	746	410	736	220	161	—	60.1	60.7	57.1			
SBI(N) 20-3	5.5	7.5	—	18.5 - 15.8	10.7 - 9.1	10.7 - 9.4	6.2 - 5.4	487	849	497	859	487	849	235	197	300	89.6	90.2	86.6			
SBI(N) 20-4	7.5	10	—	24.7 - 21.6	14.3 - 12.5	14.4 - 12.8	8.3 - 7.4	532	937	542	947	532	937	235	197	300	96.9	97.5	93.9			
SBI(N) 20-5	11	15	—	37.0 - 33.9	21.4 - 19.6	21.5 - 20.6	12.4 - 11.9	654	1099	664	1109	654	1099	269	215	350	129.9	130.5	126.9			
SBI(N) 20-6	11	15	—	37.0 - 33.9	21.4 - 19.6	21.5 - 20.6	12.4 - 11.9	699	1144	709	1154	—	—	269	215	350	131.4	132.0	—			
SBI(N) 20-7	15	20	—	48.5 - 40.7	28.0 - 23.5	28.5 - 24.9	16.4 - 14.3	744	1234	754	1244	—	—	269	215	350	143.5	144.1	—			
SBI(N) 20-8	15	20	—	48.5 - 40.7	28.0 - 23.5	28.5 - 24.9	16.4 - 14.3	789	1279	799	1289	—	—	269	215	350	144.9	145.5	—			
SBI(N) 20-10	18.5	25	—	59.7 - 49.3	34.5 - 28.5	34.6 - 28.9	19.9 - 16.6	879	1419	889	1429	—	—	318	241	350	181.7	182.3	—			

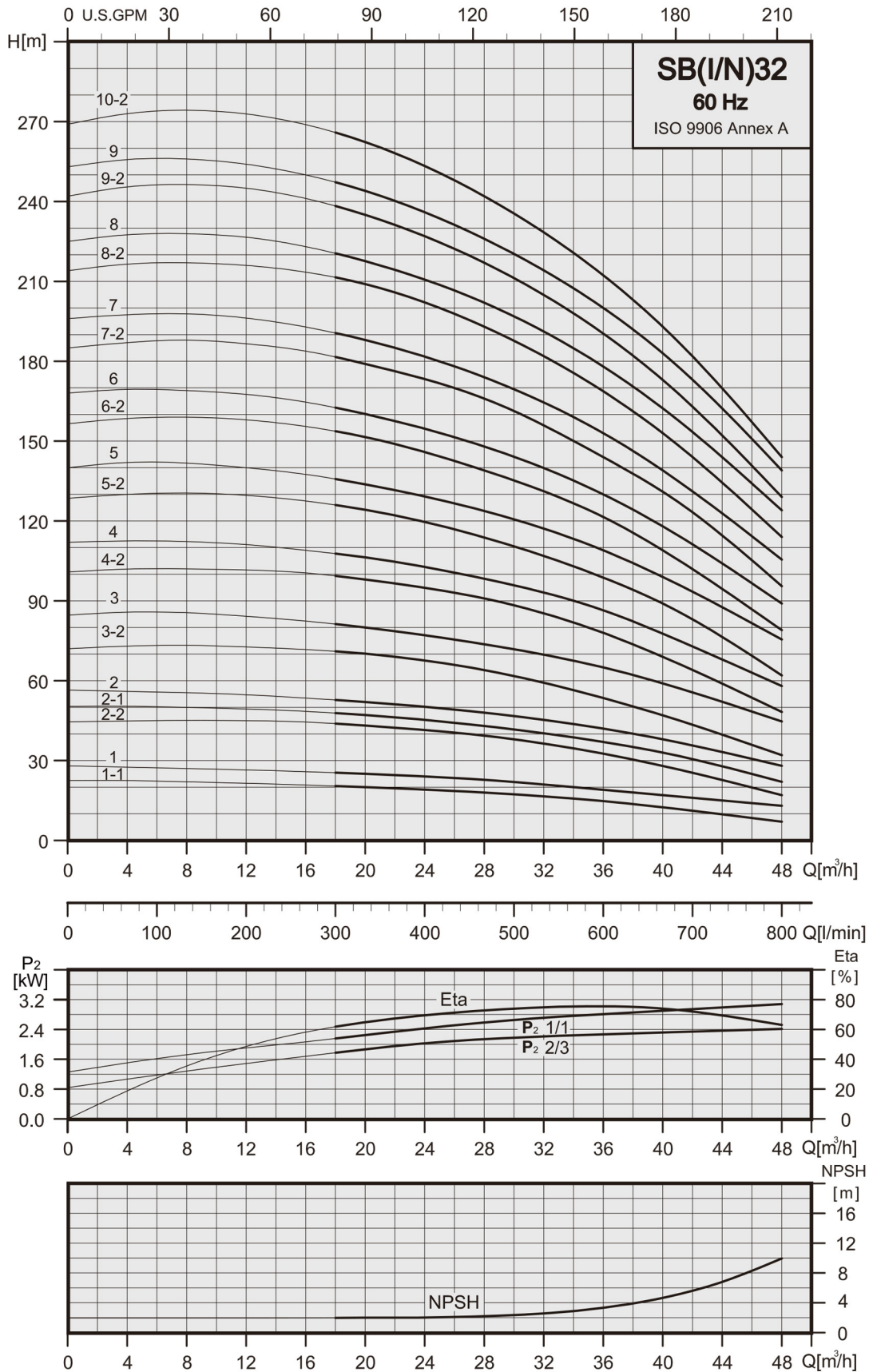
# Performance Curves

Vertical Multistage Centrifugal In-line Pumps

# SB 32



## SB, SBI, SBN 32



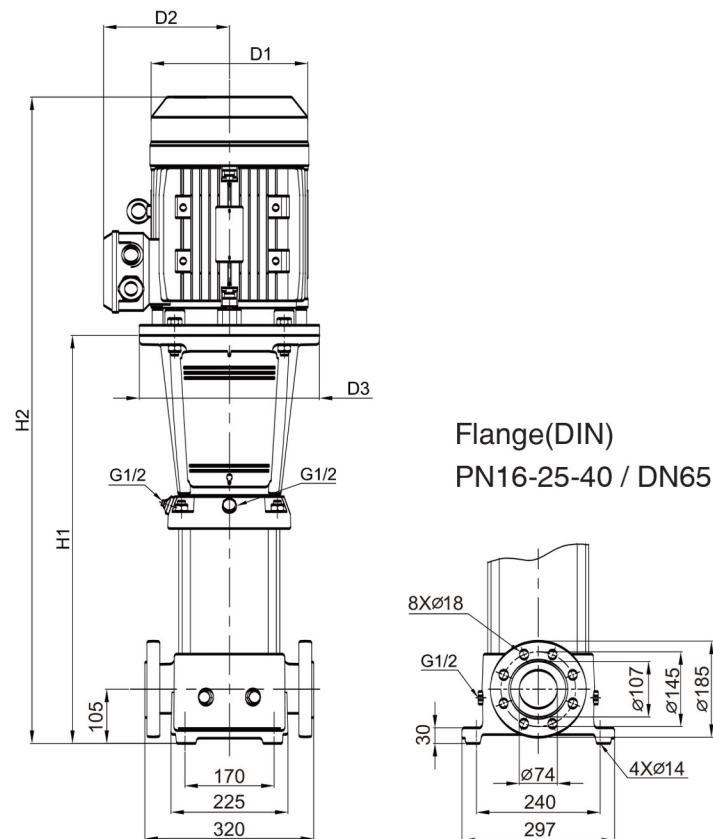
# Technical data

Vertical Multistage Centrifugal In-line Pumps

# SB 32



**SB 32**



## SB 32

60Hz	Motor P <sub>2</sub>		Nominal current [A]							Dimension[mm]					Net weight [kg]
			1Ø	3Ø	3Ø	3Ø	3Ø	Y	DIN flange		D1	D2	D3	DIN flange	
Pump type	[kW]	[HP]	220-240V	△ 220-277V	Y380-480V	△ 380-480V	Y660-830V	△ 460V	Y	H1	H2	D1	D2	D3	DIN flange
SB 32-1-1	2.2	3	13.8 - 12.5	8.6 - 7.9	5.0 - 4.6	—	—	—	—	504	799	177	141	280	74.3
SB 32-1	3.0	4	—	11.4 - 10.5	6.6 - 6.1	6.5 - 6.1	3.8 - 3.5	—	—	504	820	197	147	280	82.5
SB 32-2-2	5.5	7.5	—	18.5 - 15.8	10.7 - 9.1	10.7 - 9.4	6.2 - 5.4	—	—	574	936	235	197	300	106.4
SB 32-2-1	5.5	7.5	—	18.5 - 15.8	10.7 - 9.1	10.7 - 9.4	6.2 - 5.4	—	—	574	936	235	197	300	106.4
SB 32-2	7.5	10	—	24.7 - 21.6	14.3 - 12.5	14.4 - 12.8	8.3 - 7.4	—	—	574	979	235	197	300	112.3
SB 32-3-2	11	15	—	37.0 - 33.9	21.4 - 19.6	21.5 - 20.6	12.4 - 11.9	—	—	754	1199	269	215	350	151.6
SB 32-3	11	15	—	37.0 - 33.9	21.4 - 19.6	21.5 - 20.6	12.4 - 11.9	—	—	754	1199	269	215	350	151.6
SB 32-4-2	11	15	—	37.0 - 33.9	21.4 - 19.6	21.5 - 20.6	12.4 - 11.9	—	—	824	1269	269	215	350	154.7
SB 32-4	15	20	—	48.5 - 40.7	28.0 - 23.5	28.5 - 24.9	16.4 - 14.3	—	—	824	1314	269	215	350	165.4
SB 32-5-2	15	20	—	48.5 - 40.7	28.0 - 23.5	28.5 - 24.9	16.4 - 14.3	—	—	894	1384	269	215	350	168.5
SB 32-5	18.5	25	—	59.7 - 49.3	34.5 - 28.5	34.6 - 28.9	19.9 - 16.6	—	—	894	1434	318	241	350	202.3
SB 32-6-2	18.5	25	—	59.7 - 49.3	34.5 - 28.5	34.6 - 28.9	19.9 - 16.6	—	—	964	1504	318	241	350	205.3
SB 32-6	18.5	25	—	59.7 - 49.3	34.5 - 28.5	34.6 - 28.9	19.9 - 16.6	—	—	964	1504	318	241	350	205.3
SB 32-7-2	22	30	—	70.4 - 58.5	40.7 - 33.8	41.1 - 34.3	23.7 - 19.8	—	—	1034	1574	318	241	350	221.2
SB 32-7	22	30	—	70.4 - 58.5	40.7 - 33.8	41.1 - 34.3	23.7 - 19.8	—	—	1034	1574	318	241	350	221.2
Pump type	[kW]	[HP]		△ 220-240V	Y380-415V	△ 380-415V	Y660-720V	△ 460V	Y	H1	H2	D1	D2	D3	DIN flange
SB 32-8-2	30	40	—	97.2 - 89.1	56.1 - 51.4	56.1 - 51.4	32.3 - 29.6	52.6	N / A	1104	1764	390	295	400	328.1
SB 32-8	30	40	—	97.2 - 89.1	56.1 - 51.4	56.1 - 51.4	32.3 - 29.6	52.6	N / A	1104	1764	390	295	400	328.1
SB 32-9-2	30	40	—	97.2 - 89.1	56.1 - 51.4	56.1 - 51.4	32.3 - 29.6	52.6	N / A	1174	1834	390	295	400	330.8
SB 32-9	30	40	—	97.2 - 89.1	56.1 - 51.4	56.1 - 51.4	32.3 - 29.6	52.6	N / A	1174	1834	390	295	400	330.8
SB 32-10-2	30	40	—	97.2 - 89.1	56.1 - 51.4	56.1 - 51.4	32.3 - 29.6	52.6	N / A	1244	1904	390	295	400	333.5

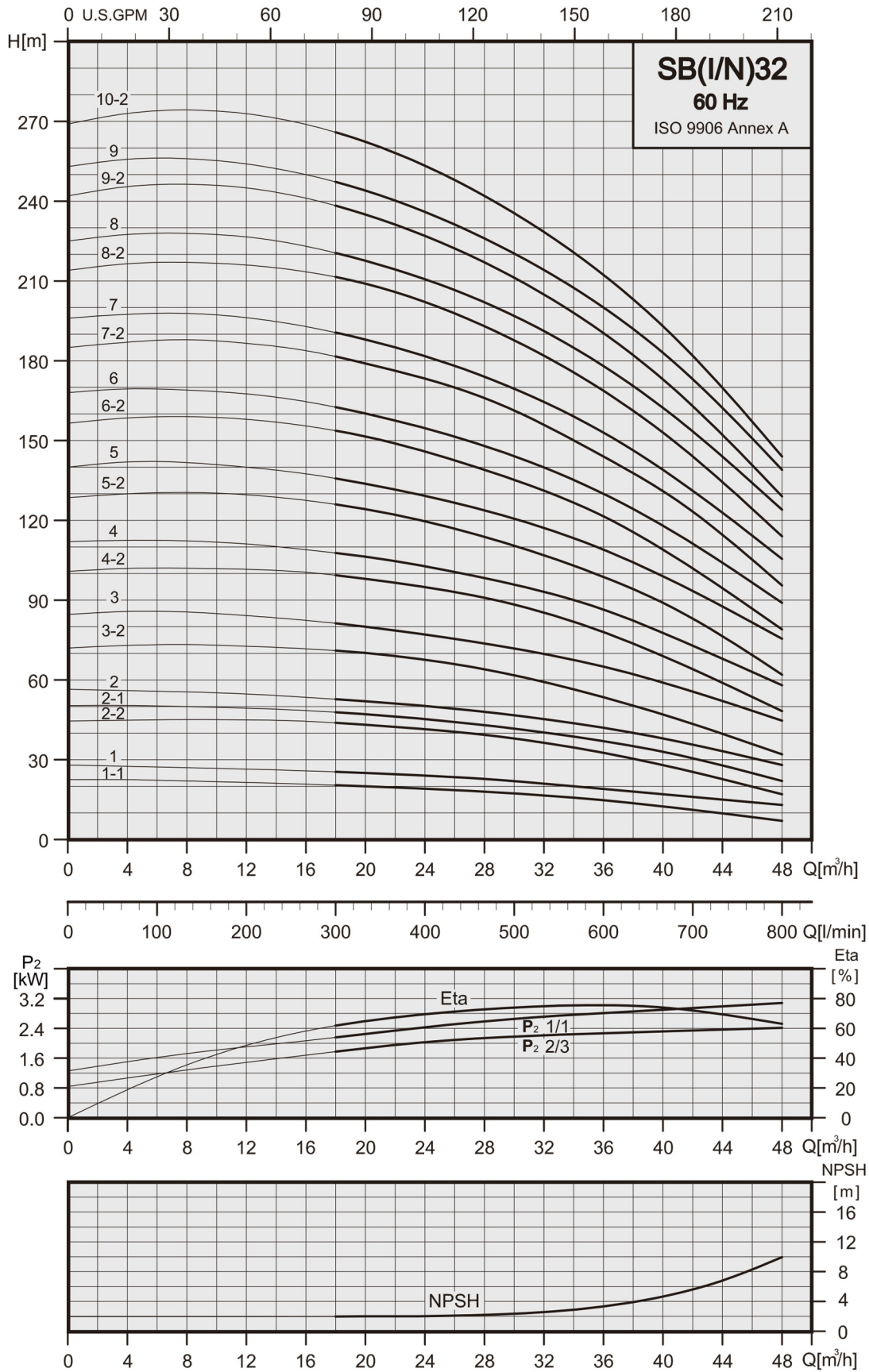
# Performance Curves

Vertical Multistage Centrifugal In-line Pumps

# SBI(N) 32



## SB, SBI, SBN 32





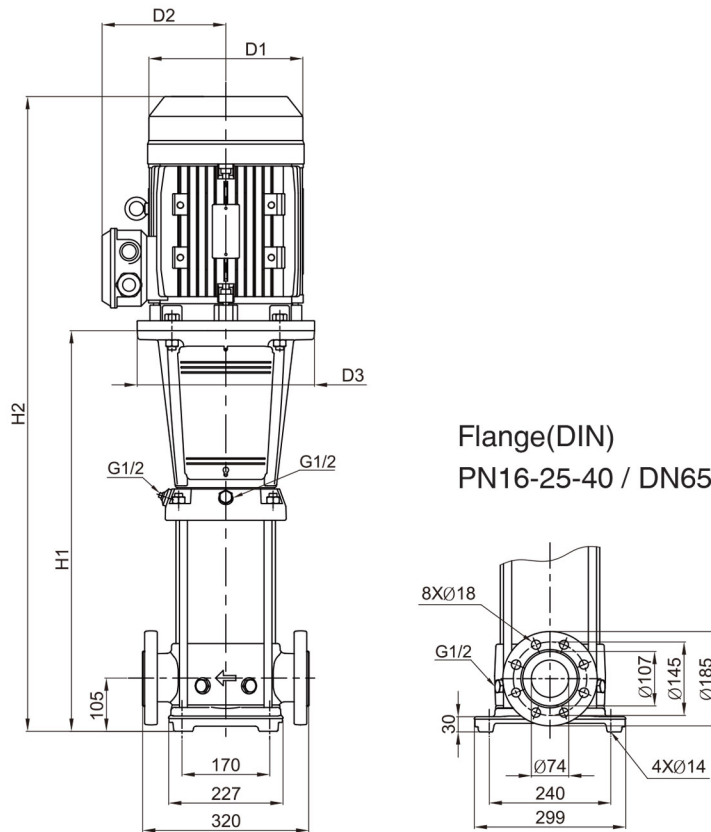
# Technical data

Vertical Multistage Centrifugal In-line Pumps

# SBI(N) 32



## SBI / SBN 32



## SBI,SBN 32

60Hz	Motor P <sub>2</sub>		Nominal current [A]							Dimension [mm]					Net weight [kg]
	[kW]	[HP]	1Ø	3Ø		3Ø		3Ø		DIN flange		D1	D2	D3	
Pump type			220-240V	△220-240V	Y380-440V	△380-480V	Y660-720V	△460V	Y	H1	H2	D1	D2	D3	DIN flange
SBI(N) 32-1-1	2.2	3	13.8 - 12.5	8.6 - 7.9	5.0 - 4.6	—	—	—	—	504	799	177	141	280	69.3
SBI(N) 32-1	3.0	4	—	14.2 - 13.0	8.2 - 7.5	8.4 - 7.2	4.8 - 4.2	—	—	504	820	197	147	280	77.4
SBI(N) 32-2-2	5.5	7.5	—	18.5 - 15.8	10.7 - 9.1	10.7 - 9.4	6.2 - 5.4	—	—	574	936	235	197	300	101.3
SBI(N) 32-2-1	5.5	7.5	—	18.5 - 15.8	10.7 - 9.1	10.7 - 9.4	6.2 - 5.4	—	—	574	936	235	197	300	101.3
SBI(N) 32-2	7.5	10	—	24.7 - 21.6	14.3 - 12.5	14.4 - 12.8	8.3 - 7.4	—	—	574	979	235	197	300	107.2
SBI(N) 32-3-2	11	15	—	37.0 - 33.9	21.4 - 19.6	21.5 - 20.6	12.4 - 11.9	—	—	754	1199	269	215	350	146.5
SBI(N) 32-3	11	15	—	37.0 - 33.9	21.4 - 19.6	21.5 - 20.6	12.4 - 11.9	—	—	754	1199	269	215	350	146.5
SBI(N) 32-4-2	11	15	—	37.0 - 33.9	21.4 - 19.6	21.5 - 20.6	12.4 - 11.9	—	—	824	1269	269	215	350	149.6
SBI(N) 32-4	15	20	—	48.5 - 40.7	28.0 - 23.5	28.5 - 24.9	16.4 - 14.3	—	—	824	1314	269	215	350	160.3
SBI(N) 32-5-2	15	20	—	48.5 - 40.7	28.0 - 23.5	28.5 - 24.9	16.4 - 14.3	—	—	894	1384	269	215	350	163.4
SBI(N) 32-5	18.5	25	—	59.7 - 49.3	34.5 - 28.5	34.6 - 28.9	19.9 - 16.6	—	—	894	1434	318	241	350	197.3
SBI(N) 32-6-2	18.5	25	—	59.7 - 49.3	34.5 - 28.5	34.6 - 28.9	19.9 - 16.6	—	—	964	1504	318	241	350	200.4
SBI(N) 32-6	18.5	25	—	59.7 - 49.3	34.5 - 28.5	34.6 - 28.9	19.9 - 16.6	—	—	964	1504	318	241	350	200.4
SBI(N) 32-7-2	22	30	—	70.4 - 58.5	40.7 - 33.8	41.1 - 34.3	23.7 - 19.8	—	—	1034	1574	318	241	350	216.2
SBI(N) 32-7	22	30	—	70.4 - 58.5	40.7 - 33.8	41.1 - 34.3	23.7 - 19.8	—	—	1034	1574	318	241	350	216.2
Pump type	[kW]	[HP]		△220-240V	Y380-415V	△380-415V	Y660-720V	△460V	Y	H1	H2	D1	D2	D3	DIN flange
SBI(N) 32-8-2	30	40	—	97.2 - 89.1	56.1 - 51.4	56.1 - 51.4	32.3 - 29.6	52.6	N / A	1104	1764	390	295	400	323.1
SBI(N) 32-8	30	40	—	97.2 - 89.1	56.1 - 51.4	56.1 - 51.4	32.3 - 29.6	52.6	N / A	1104	1764	390	295	400	323.1
SBI(N) 32-9-2	30	40	—	97.2 - 89.1	56.1 - 51.4	56.1 - 51.4	32.3 - 29.6	52.6	N / A	1174	1834	390	295	400	325.9
SBI(N) 32-9	30	40	—	97.2 - 89.1	56.1 - 51.4	56.1 - 51.4	32.3 - 29.6	52.6	N / A	1174	1834	390	295	400	325.9
SBI(N) 32-10-2	30	40	—	97.2 - 89.1	56.1 - 51.4	56.1 - 51.4	32.3 - 29.6	52.6	N / A	1244	1904	390	295	400	328.5

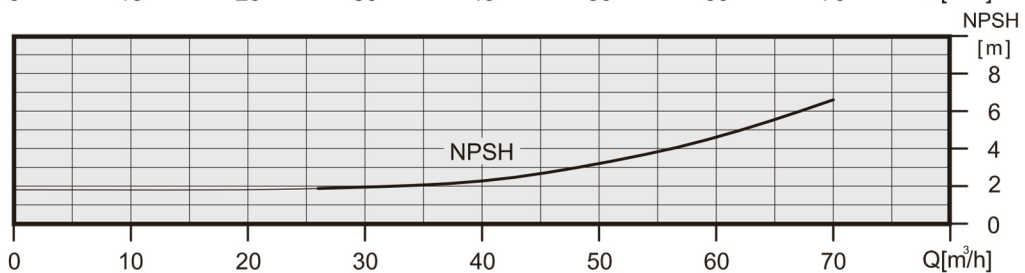
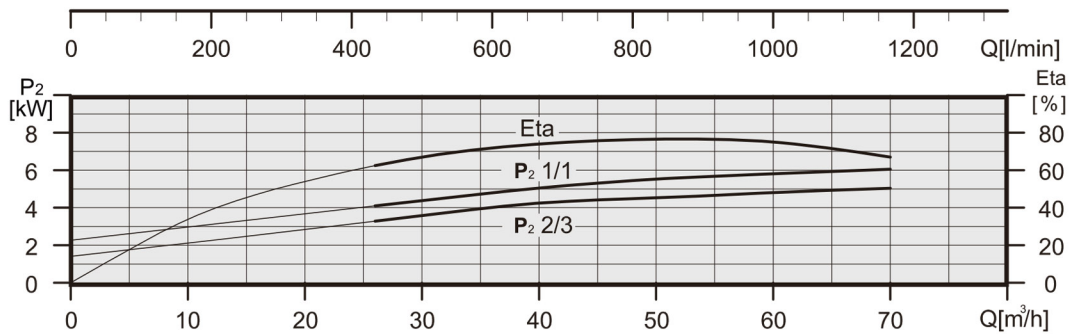
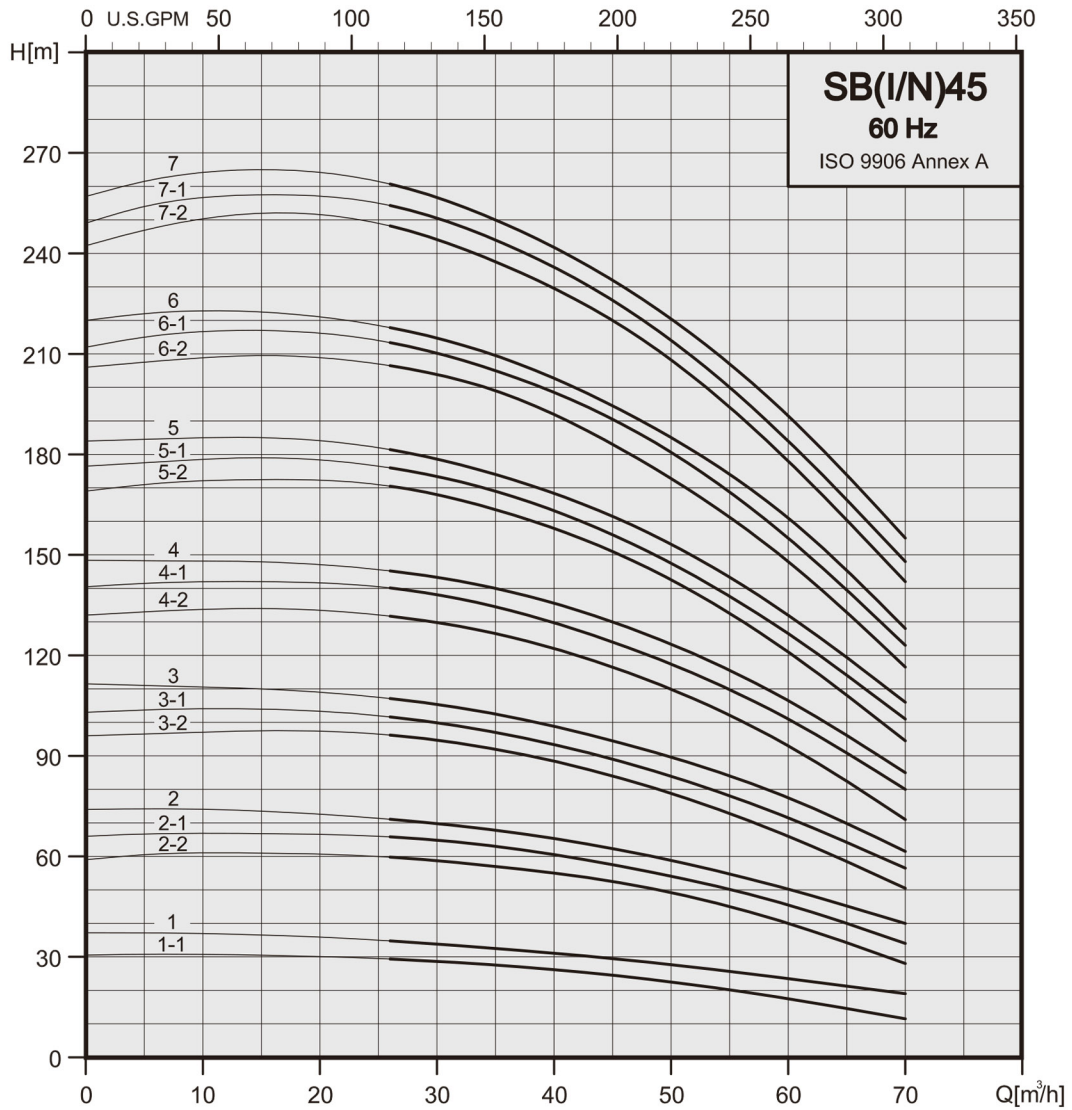
# Performance Curves

Vertical Multistage Centrifugal In-line Pumps

# SB 45



## SB, SBI, SBN 45



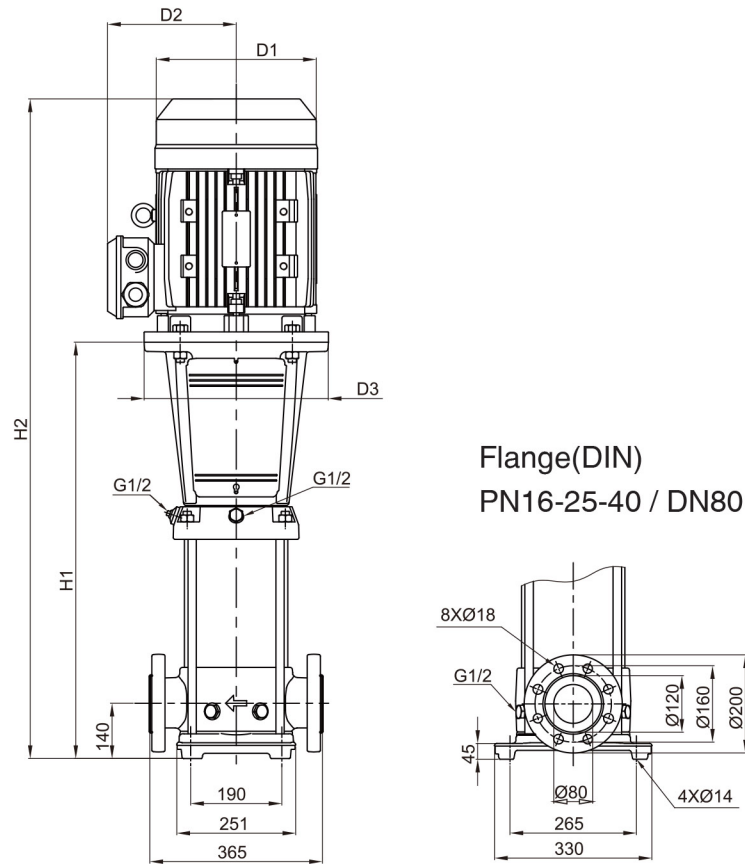
# Technical data

Vertical Multistage Centrifugal In-line Pumps

# SB 45



## SB 45



## SB 45

60Hz	Motor P <sub>2</sub>		Nominal current [A]						Dimension[mm]					Net weight [kg]
			3Ø		3Ø		3Ø		DIN flange		D1	D2	D3	
Pump type	[kW]	[HP]	△ 220-277V	Y380-480V	△ 380-480V	Y660-830V	△ 460V	Y	H1	H2				D1
SB 45-1-1	5.5	7.5	18.5 - 15.8	10.7 - 9.1	10.7 - 9.4	6.2 - 5.4	—	—	561	923	235	197	300	113.9
SB 45-1	7.5	10	24.7 - 21.6	14.3 - 12.5	14.4 - 12.8	8.3 - 7.4	—	—	561	966	235	197	300	119.8
SB 45-2-2	11	15	37.0 - 33.9	21.4 - 19.6	21.5 - 20.6	12.4 - 11.9	—	—	751	1196	269	215	350	159.7
SB 45-2-1	11	15	37.0 - 33.9	21.4 - 19.6	21.5 - 20.6	12.4 - 11.9	—	—	751	1196	269	215	350	159.7
SB 45-2	15	20	48.5 - 40.7	28.0 - 23.5	28.5 - 24.9	16.4 - 14.3	—	—	751	1241	269	215	350	170.4
SB 45-3-2	18.5	25	59.7 - 49.3	34.5 - 28.5	34.6 - 28.9	19.9 - 16.6	—	—	831	1371	318	241	350	208.0
SB 45-3-1	18.5	25	59.7 - 49.3	34.5 - 28.5	34.6 - 28.9	19.9 - 16.6	—	—	831	1371	318	241	350	208.0
SB 45-3	18.5	25	59.7 - 49.3	34.5 - 28.5	34.6 - 28.9	19.9 - 16.6	—	—	831	1371	318	241	350	208.0
SB 45-4-2	22	30	70.4 - 58.5	40.7 - 33.8	41.1 - 34.3	23.7 - 19.8	—	—	911	1451	318	241	350	224.5
Pump type	[kW]	[HP]	△ 220-240V	Y380-415V	△ 380-415V	Y660-720V	△ 460V	Y	H1	H2	D1	D2	D3	DIN flange
SB 45-4-1	30	40	97.2 - 89.1	56.1 - 51.4	56.1 - 51.4	32.3 - 29.6	52.6	N / A	911	1571	390	295	400	328.1
SB 45-4	30	40	97.2 - 89.1	56.1 - 51.4	56.1 - 51.4	32.3 - 29.6	52.6	N / A	911	1571	390	295	400	328.1
SB 45-5-2	30	40	97.2 - 89.1	56.1 - 51.4	56.1 - 51.4	32.3 - 29.6	52.6	N / A	991	1651	390	295	400	331.9
SB 45-5-1	30	40	97.2 - 89.1	56.1 - 51.4	56.1 - 51.4	32.3 - 29.6	52.6	N / A	991	1651	390	295	400	331.9
SB 45-5	30	40	97.2 - 89.1	56.1 - 51.4	56.1 - 51.4	32.3 - 29.6	52.6	N / A	991	1651	390	295	400	331.9
SB 45-6-2	37	50	118.2 - 108.4	68.3 - 62.5	68.3 - 62.5	39.3 - 36.0	64.3	N / A	1071	1731	390	295	400	353.7
SB 45-6-1	37	50	118.2 - 108.4	68.3 - 62.5	68.3 - 62.5	39.3 - 36.0	64.3	N / A	1071	1731	390	295	400	353.7
SB 45-6	37	50	118.2 - 108.4	68.3 - 62.5	68.3 - 62.5	39.3 - 36.0	64.3	N / A	1071	1731	390	295	400	353.7
SB 45-7-2	45	60	143.5 - 131.5	82.8 - 75.9	82.8 - 75.9	47.7 - 43.7	78.2	N / A	1151	1841	446	325	450	433.6
SB 45-7-1	45	60	143.5 - 131.5	82.8 - 75.9	82.8 - 75.9	47.7 - 43.7	78.2	N / A	1151	1841	446	325	450	433.6
SB 45-7	45	60	143.5 - 131.5	82.8 - 75.9	82.8 - 75.9	47.7 - 43.7	78.2	N / A	1151	1841	446	325	450	433.6

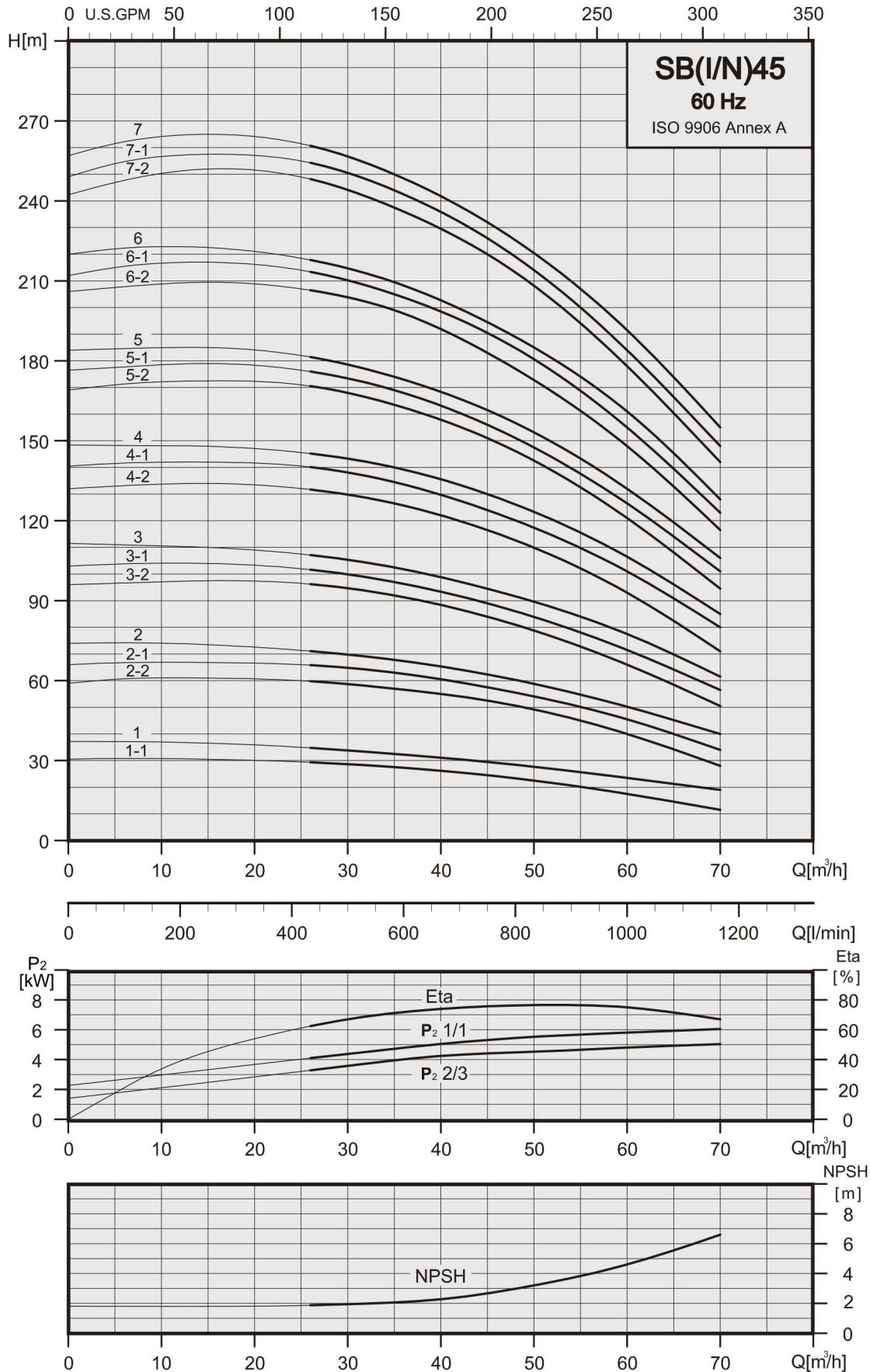
# Performance Curves

Vertical Multistage Centrifugal In-line Pumps

# SBI(N) 45



## SB, SBI, SBN 45





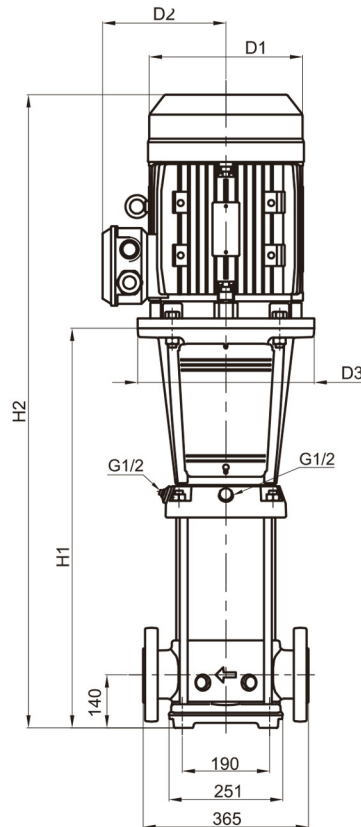
# Technical data

Vertical Multistage Centrifugal In-line Pumps

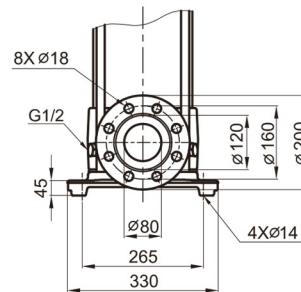
# SBI(N) 45



## SBI / SBN 45



Flange(DIN)  
PN16-25-40 / DN80



## SBI,SBN 45

60Hz	Motor P <sub>2</sub>		Nominal current [A]						Dimension[mm]					Net weight [kg]
			3Ø		3Ø		3Ø		DIN flange		D1	D2	D3	
Pump type	[kW]	[HP]	△ 220-277V	Y380-480V	△ 380-480V	Y660-830V	△ 460V	Y	H1	H2				D1
SBI(N) 45-1-1	5.5	7.5	18.5 - 15.8	10.7 - 9.1	10.7 - 9.4	6.2 - 5.4	—	—	559	921	235	197	300	105.1
SBI(N) 45-1	7.5	10	24.7 - 21.6	14.3 - 12.5	14.4 - 12.8	8.3 - 7.4	—	—	559	964	235	197	300	111.0
SBI(N) 45-2-2	11	15	37.0 - 33.9	21.4 - 19.6	21.5 - 20.6	12.4 - 11.9	—	—	749	1194	269	215	350	150.9
SBI(N) 45-2-1	11	15	37.0 - 33.9	21.4 - 19.6	21.5 - 20.6	12.4 - 11.9	—	—	749	1194	269	215	350	150.9
SBI(N) 45-2	15	20	48.5 - 40.7	28.0 - 23.5	28.5 - 24.9	16.4 - 14.3	—	—	749	1239	269	215	350	161.6
SBI(N) 45-3-2	18.5	25	59.7 - 49.3	34.5 - 28.5	34.6 - 28.9	19.9 - 16.6	—	—	829	1369	318	241	350	199.2
SBI(N) 45-3-1	18.5	25	59.7 - 49.3	34.5 - 28.5	34.6 - 28.9	19.9 - 16.6	—	—	829	1369	318	241	350	199.2
SBI(N) 45-3	18.5	25	59.7 - 49.3	34.5 - 28.5	34.6 - 28.9	19.9 - 16.6	—	—	829	1369	318	241	350	199.2
SBI(N) 45-4-2	22	30	70.4 - 58.5	40.7 - 33.8	41.1 - 34.3	23.7 - 19.8	—	—	909	1449	318	241	350	215.7
Pump type	[kW]	[HP]	△ 220-240V	Y380-415V	△ 380-415V	Y660-720V	△ 460V	Y	H1	H2	D1	D2	D3	DIN flange
SBI(N) 45-4-1	30	40	97.2 - 89.1	56.1 - 51.4	56.1 - 51.4	32.3 - 29.6	52.6	N / A	909	1569	390	295	400	319.3
SBI(N) 45-4	30	40	97.2 - 89.1	56.1 - 51.4	56.1 - 51.4	32.3 - 29.6	52.6	N / A	909	1569	390	295	400	319.3
SBI(N) 45-5-2	30	40	97.2 - 89.1	56.1 - 51.4	56.1 - 51.4	32.3 - 29.6	52.6	N / A	989	1649	390	295	400	323.1
SBI(N) 45-5-1	30	40	97.2 - 89.1	56.1 - 51.4	56.1 - 51.4	32.3 - 29.6	52.6	N / A	989	1649	390	295	400	323.1
SBI(N) 45-5	30	40	97.2 - 89.1	56.1 - 51.4	56.1 - 51.4	32.3 - 29.6	52.6	N / A	989	1649	390	295	400	323.1
SBI(N) 45-6-2	37	50	118.2 - 108.4	68.3 - 62.5	68.3 - 62.5	39.3 - 36.0	64.3	N / A	1069	1729	390	295	400	344.9
SBI(N) 45-6-1	37	50	118.2 - 108.4	68.3 - 62.5	68.3 - 62.5	39.3 - 36.0	64.3	N / A	1069	1729	390	295	400	344.9
SBI(N) 45-6	37	50	118.2 - 108.4	68.3 - 62.5	68.3 - 62.5	39.3 - 36.0	64.3	N / A	1069	1729	390	295	400	344.9
SBI(N) 45-7-2	45	60	143.5 - 131.5	82.8 - 75.9	82.8 - 75.9	47.7 - 43.7	78.2	N / A	1149	1839	446	325	450	424.8
SBI(N) 45-7-1	45	60	143.5 - 131.5	82.8 - 75.9	82.8 - 75.9	47.7 - 43.7	78.2	N / A	1149	1839	446	325	450	424.8
SBI(N) 45-7	45	60	143.5 - 131.5	82.8 - 75.9	82.8 - 75.9	47.7 - 43.7	78.2	N / A	1149	1839	446	325	450	424.8

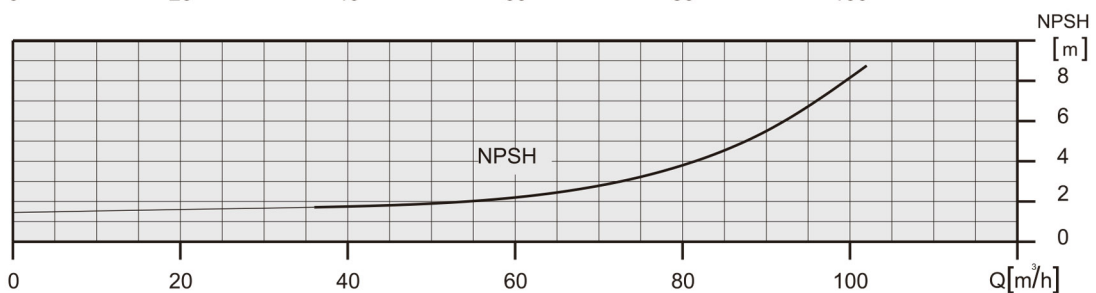
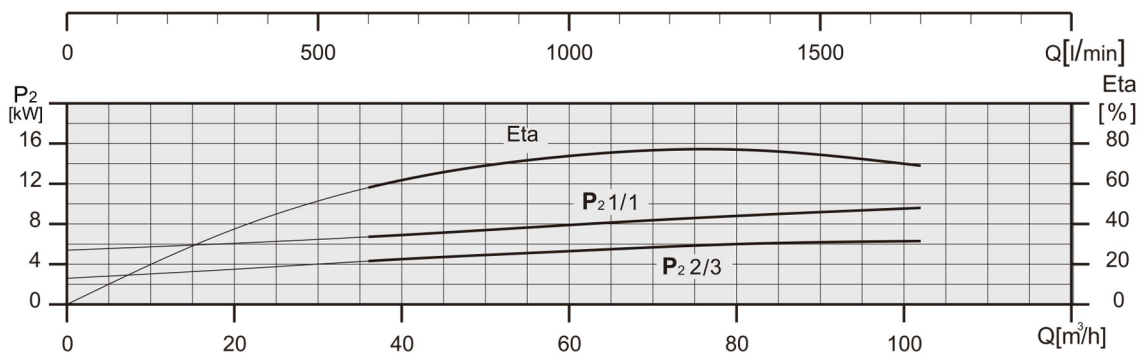
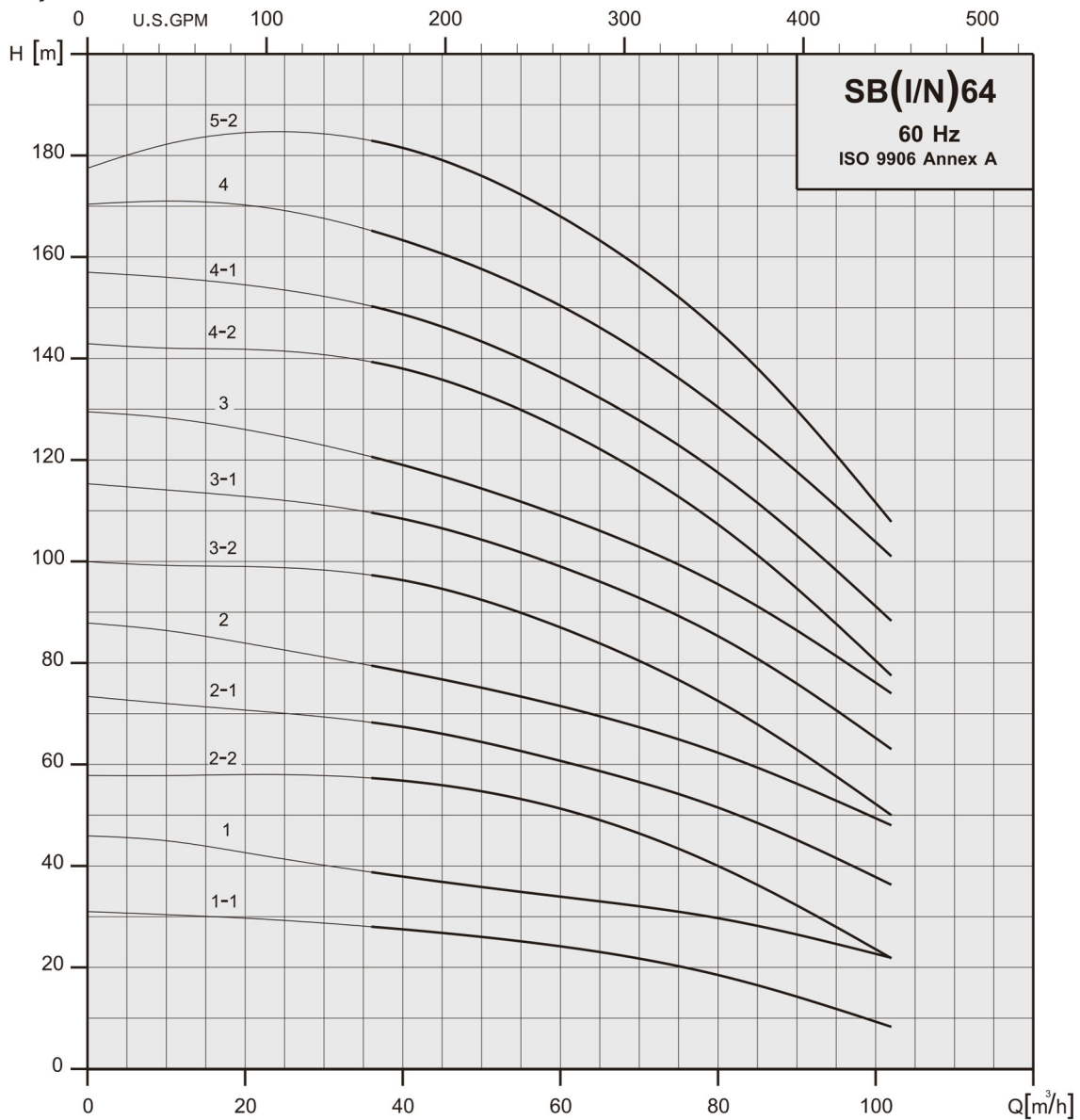
# Performance Curves

Vertical Multistage Centrifugal In-line Pumps

# SB 64



## SB, SBI, SBN 64



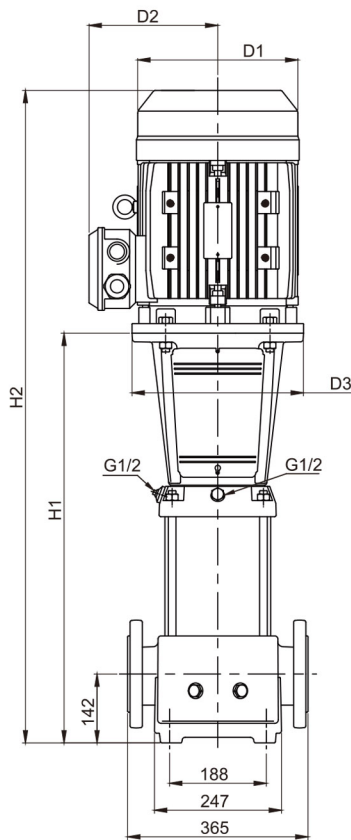
# Technical data

Vertical Multistage Centrifugal In-line Pumps

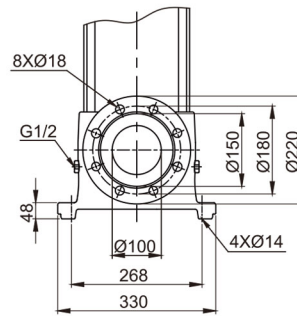
# SB 64



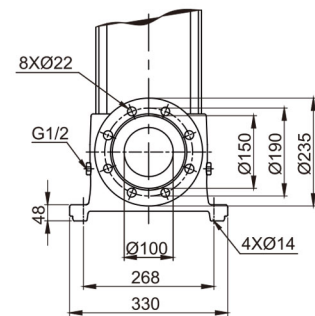
## SB 64



Flange(DIN)  
PN16 / DN100



Flange(DIN)  
PN25-40 / DN100



## SB 64

60Hz	Motor P2		Nominal current [A]						Dimension[mm]					Net weight [kg]
			3Ø		3Ø		3Ø		DIN flange			DIN flange		
Pump type	[kW]	[HP]	△ 220-277V	Y380-480V	△ 380-480V	Y660-830V	△460V	Y	H1	H2	D1		D2	D3
SB 64-1-1	7.5	10	24.7 - 21.6	14.3 - 12.5	14.4 - 12.8	8.3 - 7.4	—	—	563	968	235	197	300	113.5
SB 64-1	11	15	37.0 - 33.9	21.4 - 19.6	21.5 - 20.6	12.4 - 11.9	—	—	673	1118	269	215	350	149.7
SB 64-2-2	15	20	48.5 - 40.7	28.0 - 23.5	28.5 - 24.9	16.4 - 14.3	—	—	756	1246	269	215	350	164.5
SB 64-2-1	18.5	25	59.7 - 49.3	34.5 - 28.5	34.6 - 28.9	19.9 - 16.6	—	—	756	1296	318	241	350	198.3
SB 64-2	22	30	70.4 - 58.5	40.7 - 33.8	41.1 - 34.3	23.7 - 19.8	—	—	756	1296	318	241	350	211.0
SB 64-3-2	22	30	70.4 - 58.5	40.7 - 33.8	41.1 - 34.3	23.7 - 19.8	—	—	838	1378	318	241	350	215.6
Pump type	[kW]	[HP]	△ 220-240V	Y380-415V	△ 380-415V	Y660-720V	△460V	Y	H1	H2	D1	D2	D3	DIN flange
SB 64-3-1	30	40	97.2 - 89.1	56.1 - 51.4	56.1 - 51.4	32.3 - 29.6	52.6	N / A	838	1498	390	295	400	319.2
SB 64-3	30	40	97.2 - 89.1	56.1 - 51.4	56.1 - 51.4	32.3 - 29.6	52.6	N / A	838	1498	390	295	400	319.2
SB 64-4-2	37	50	118.2 - 108.4	68.3 - 62.5	68.3 - 62.5	39.3 - 36.0	64.3	N / A	921	1581	390	295	400	341.2
SB 64-4-1	37	50	118.2 - 108.4	68.3 - 62.5	68.3 - 62.5	39.3 - 36.0	64.3	N / A	921	1581	390	295	400	341.2
SB 64-4	45	60	143.5 - 131.5	82.8 - 75.9	82.8 - 75.9	47.7 - 43.7	78.2	N / A	925	1615	446	325	450	417.4
SB 64-5-2	45	60	143.5 - 131.5	82.8 - 75.9	82.8 - 75.9	47.7 - 43.7	78.2	N / A	1007	1697	446	325	450	421.4

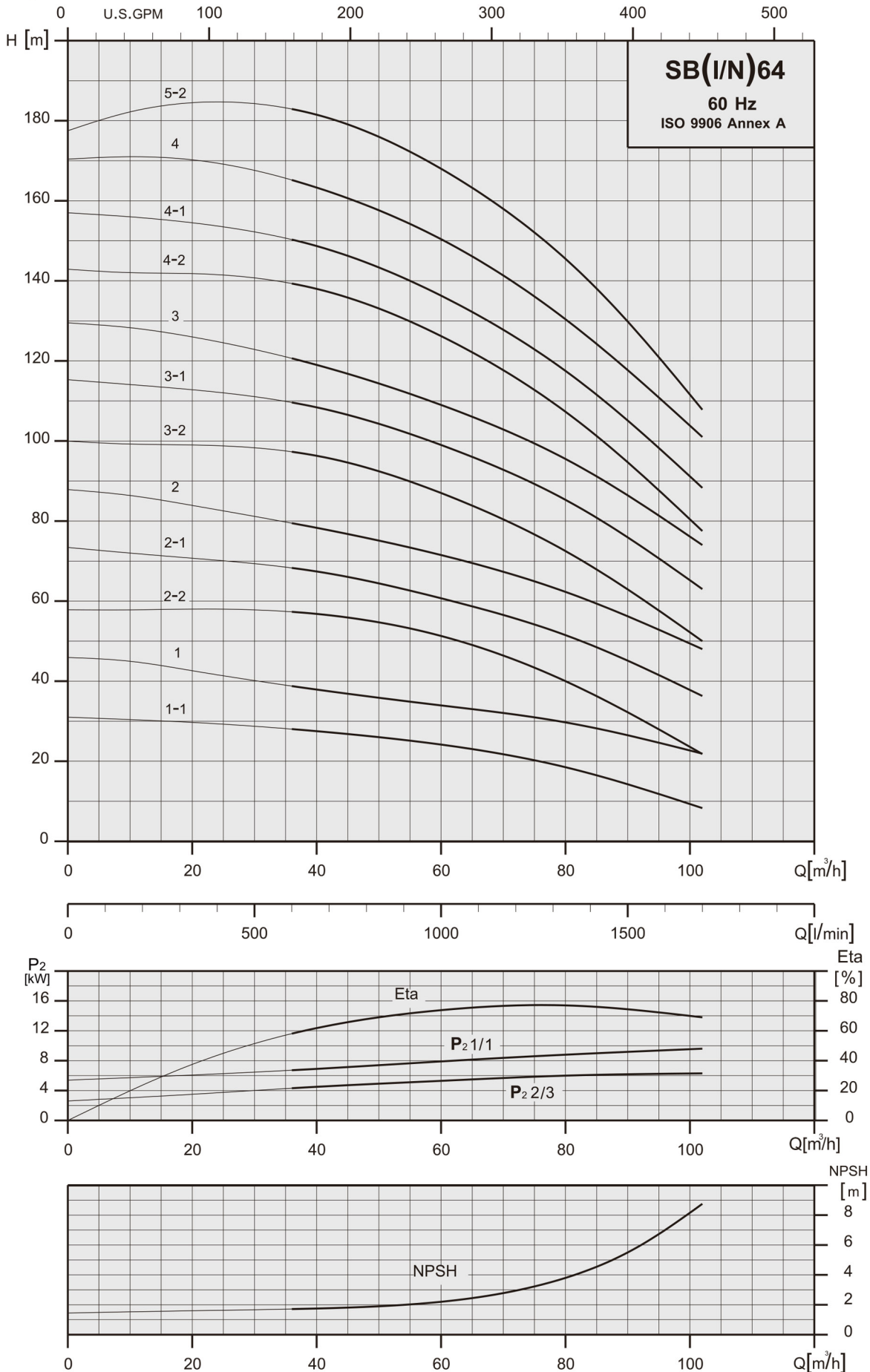
# Performance Curves

Vertical Multistage Centrifugal In-line Pumps

# SB(I/N) 64



## SB, SBI, SBN 64





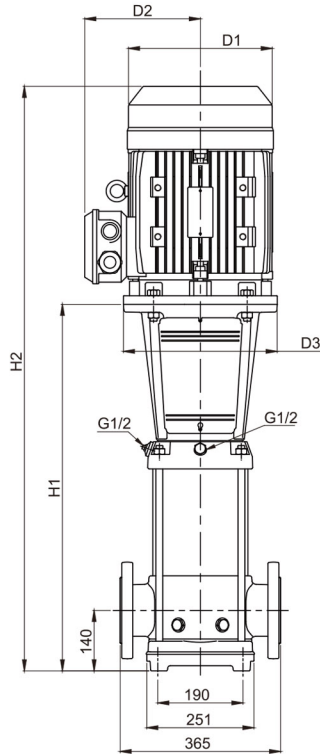
# Technical data

Vertical Multistage Centrifugal In-line Pumps

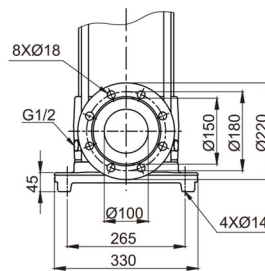
# SB(I/N) 64



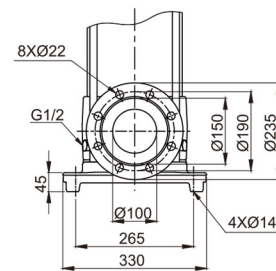
## SBI / SBN 64



Flange(DIN)  
PN16 / DN100



Flange(DIN)  
PN25-40 / DN100



## SBI ,SBN 64

60Hz	Motor P2		Nominal current [A]						Dimension[mm]					Net weight [kg]
			3Ø		3Ø		3Ø		DIN flange		D1	D2	D3	
Pump type	[kW]	[HP]	△ 220-277V	Y380-480V	△ 380-480V	Y660-830V	△460V	Y	H1	H2	D1	D2	D3	DIN flange
SBI(N) 64-1-1	7.5	10	24.7 - 21.6	14.3 - 12.5	14.4 - 12.8	8.3 - 7.4	—	—	563	968	235	197	300	106.5
SBI(N) 64-1	11	15	37.0 - 33.9	21.4 - 19.6	21.5 - 20.6	12.4 - 11.9	—	—	673	1118	269	215	350	142.7
SBI(N) 64-2-2	15	20	48.5 - 40.7	28.0 - 23.5	28.5 - 24.9	16.4 - 14.3	—	—	756	1246	269	215	350	157.5
SBI(N) 64-2-1	18.5	25	59.7 - 49.3	34.5 - 28.5	34.6 - 28.9	19.9 - 16.6	—	—	756	1296	318	241	350	191.3
SBI(N) 64-2	22	30	70.4 - 58.5	40.7 - 33.8	41.1 - 34.3	23.7 - 19.8	—	—	756	1296	318	241	350	204.0
SBI(N) 64-3-2	22	30	70.4 - 58.5	40.7 - 33.8	41.1 - 34.3	23.7 - 19.8	—	—	838	1378	318	241	350	208.1
Pump type	[kW]	[HP]	△ 220-240V	Y380-415V	△ 380-415V	Y660-720V	△460V	Y	H1	H2	D1	D2	D3	DIN flange
SBI(N) 64-3-1	30	40	97.2 - 89.1	56.1 - 51.4	56.1 - 51.4	32.3 - 29.6	52.6	N / A	838	1498	390	295	400	311.7
SBI(N) 64-3	30	40	97.2 - 89.1	56.1 - 51.4	56.1 - 51.4	32.3 - 29.6	52.6	N / A	838	1498	390	295	400	311.7
SBI(N) 64-4-2	37	50	118.2 - 108.4	68.3 - 62.5	68.3 - 62.5	39.3 - 36.0	64.3	N / A	921	1581	390	295	400	333.7
SBI(N) 64-4-1	37	50	118.2 - 108.4	68.3 - 62.5	68.3 - 62.5	39.3 - 36.0	64.3	N / A	921	1581	390	295	400	333.7
SBI(N) 64-4	45	60	143.5 - 131.5	82.8 - 75.9	82.8 - 75.9	47.7 - 43.7	78.2	N / A	925	1615	446	325	450	409.8
SBI(N) 64-5-2	45	60	143.5 - 131.5	82.8 - 75.9	82.8 - 75.9	47.7 - 43.7	78.2	N / A	1007	1697	446	325	450	413.8

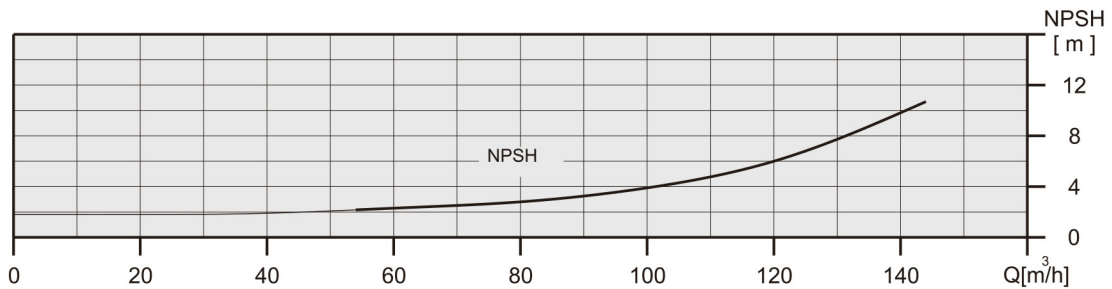
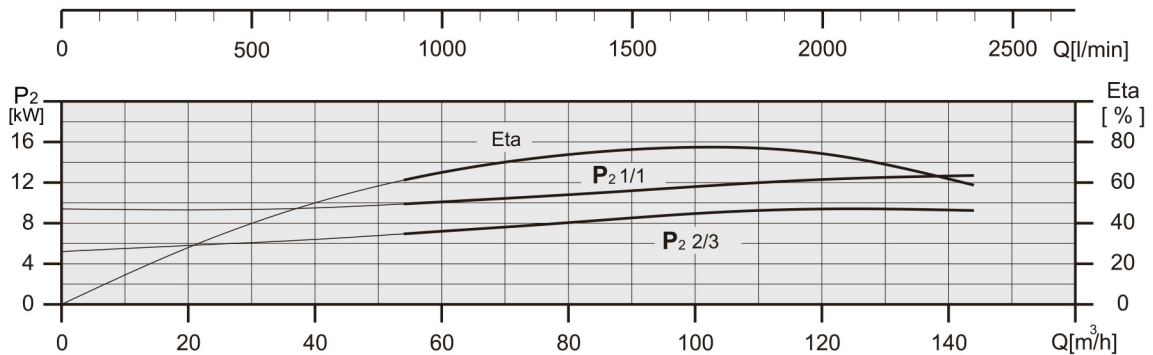
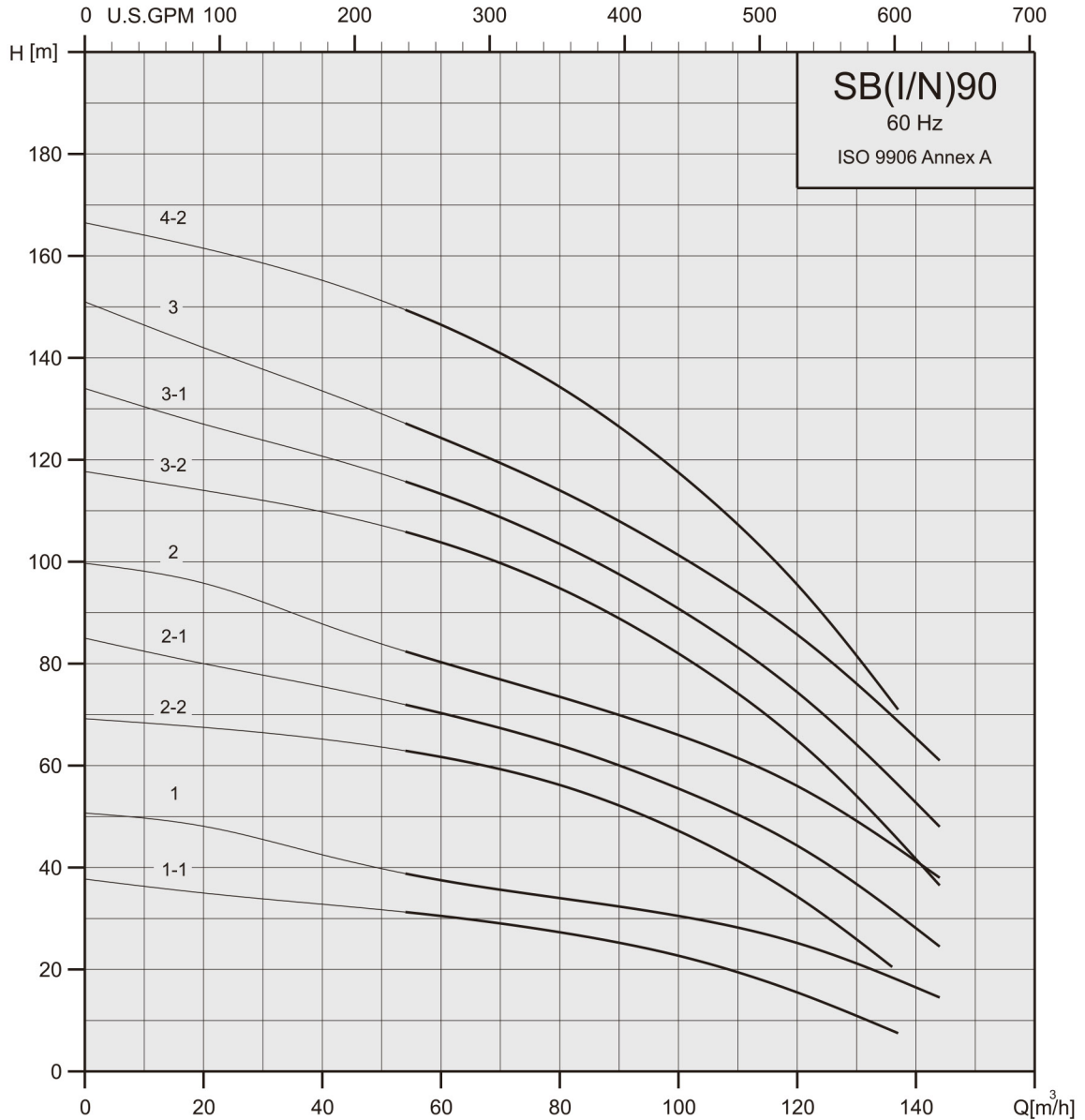
# Performance Curves

Vertical Multistage Centrifugal In-line Pumps

# SB(I/N) 90



## SB, SBI, SBN 90



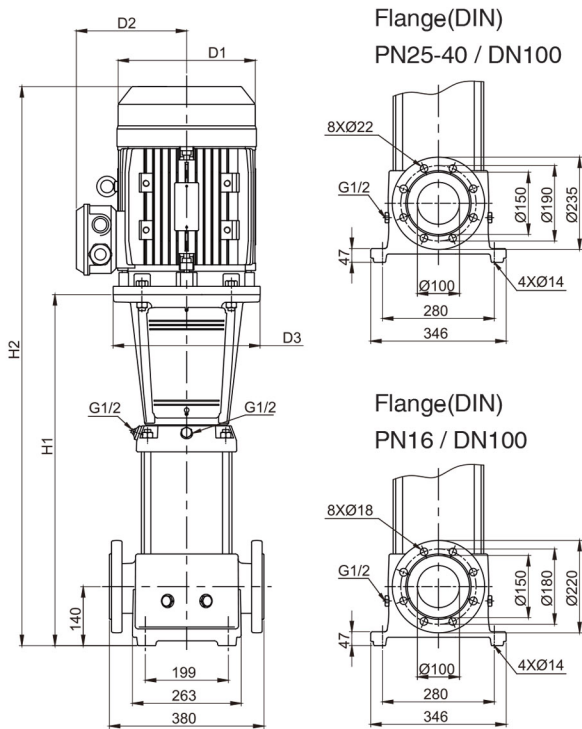
# Technical data

Vertical Multistage Centrifugal In-line Pumps

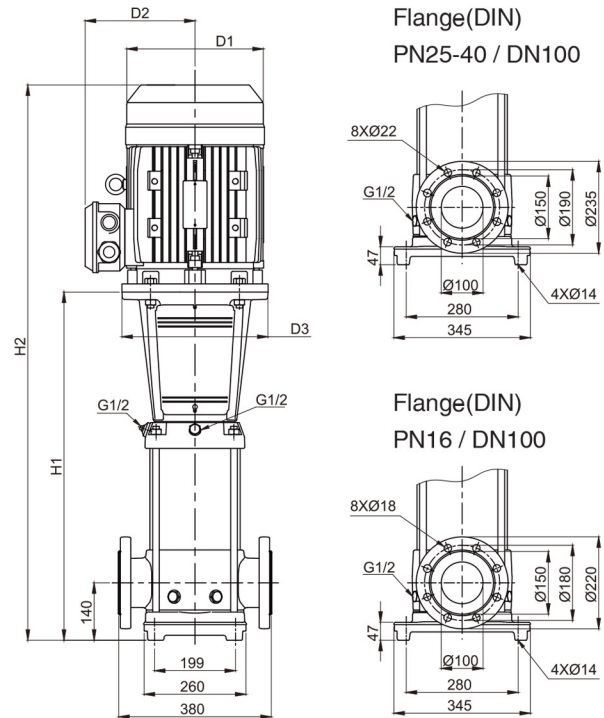
# SB(I/N) 90



## SB 90



## SBI / SBN 90



## SB 90

60Hz	Motor P2		Nominal current [A]						Dimension[mm]					Net weight [kg]
			3Ø		3Ø		3Ø		DIN flange					
Pump type	[kW]	[HP]	△ 220-277V	Y380-480V	△ 380-480V	Y660-830V	△460V	Y	H1	H2	D1	D2	D3	DIN flange
SB 90-1-1	11	15	37.0 - 33.9	21.4 - 19.6	21.5 - 20.6	12.4 - 11.9	—	—	682	1127	269	215	350	157.1
SB 90-1	15	20	48.5 - 40.7	28.0 - 23.5	28.5 - 24.9	16.4 - 14.3	—	—	682	1172	269	215	350	167.7
SB 90-2-2	18.5	25	59.7 - 49.3	34.5 - 28.5	34.6 - 28.9	19.9 - 16.6	—	—	774	1314	318	241	350	207.0
SB 90-2-1	22	30	70.4 - 58.5	40.7 - 33.8	41.1 - 34.3	23.7 - 19.8	—	—	774	1314	318	241	350	219.7
Pump type	[kW]	[HP]	△ 220-240V	Y380-415V	△ 380-415V	Y660-720V	△460V	Y	H1	H2	D1	D2	D3	DIN flange
SB 90-2	30	40	97.2 - 89.1	56.1 - 51.4	56.1 - 51.4	32.3 - 29.6	52.6	N / A	774	1434	390	295	400	323.3
SB 90-3-2	37	50	118.2 - 108.4	68.3 - 62.5	68.3 - 62.5	39.3 - 36.0	64.3	N / A	866	1526	390	295	400	346.6
SB 90-3-1	37	50	118.2 - 108.4	68.3 - 62.5	68.3 - 62.5	39.3 - 36.0	64.3	N / A	866	1526	390	295	400	346.6
SB 90-3	45	60	143.5 - 131.5	82.8 - 75.9	82.8 - 75.9	47.7 - 43.7	78.2	N / A	866	1556	446	325	450	422.7
SB 90-4-2	45	60	143.5 - 131.5	82.8 - 75.9	82.8 - 75.9	47.7 - 43.7	78.2	N / A	958	1648	446	325	450	427.9

## SBI, SBN 90

60Hz	Motor P2		Nominal current [A]						Dimension[mm]					Net weight [kg]
			3Ø		3Ø		3Ø		DIN flange					
Pump type	[kW]	[HP]	△ 220-277V	Y380-480V	△ 380-480V	Y660-830V	△460V	Y	H1	H2	D1	D2	D3	DIN flange
SBI(N) 90-1-1	11	15	37.0 - 33.9	21.4 - 19.6	21.5 - 20.6	12.4 - 11.9	—	—	686	1131	269	215	350	153.5
SBI(N) 90-1	15	20	48.5 - 40.7	28.0 - 23.5	28.5 - 24.9	16.4 - 14.3	—	—	686	1176	269	215	350	164.1
SBI(N) 90-2-2	18.5	25	59.7 - 49.3	34.5 - 28.5	34.6 - 28.9	19.9 - 16.6	—	—	778	1318	318	241	350	203.2
SBI(N) 90-2-1	22	30	70.4 - 58.5	40.7 - 33.8	41.1 - 34.3	23.7 - 19.8	—	—	778	1318	318	241	350	216.0
Pump type	[kW]	[HP]	△ 220-240V	Y380-415V	△ 380-415V	Y660-720V	△460V	Y	H1	H2	D1	D2	D3	DIN flange
SBI(N) 90-2	30	40	97.2 - 89.1	56.1 - 51.4	56.1 - 51.4	32.3 - 29.6	52.6	N / A	778	1438	390	295	400	319.6
SBI(N) 90-3-2	37	50	118.2 - 108.4	68.3 - 62.5	68.3 - 62.5	39.3 - 36.0	64.3	N / A	870	1530	390	295	400	342.8
SBI(N) 90-3-1	37	50	118.2 - 108.4	68.3 - 62.5	68.3 - 62.5	39.3 - 36.0	64.3	N / A	870	1530	390	295	400	342.8
SBI(N) 90-3	45	60	143.5 - 131.5	82.8 - 75.9	82.8 - 75.9	47.7 - 43.7	78.2	N / A	870	1560	446	325	450	418.9
SBI(N) 90-4-2	45	60	143.5 - 131.5	82.8 - 75.9	82.8 - 75.9	47.7 - 43.7	78.2	N / A	962	1652	446	325	450	425.9

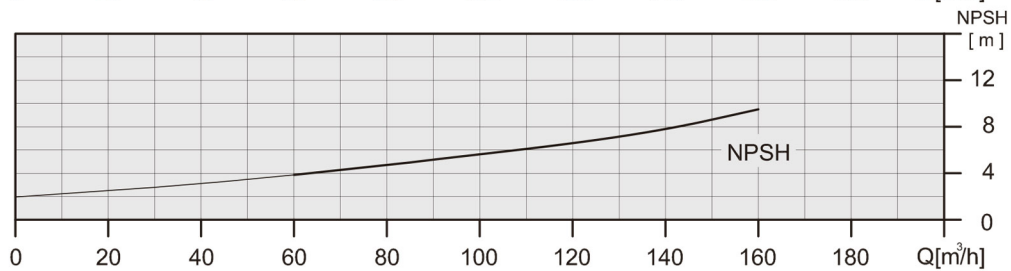
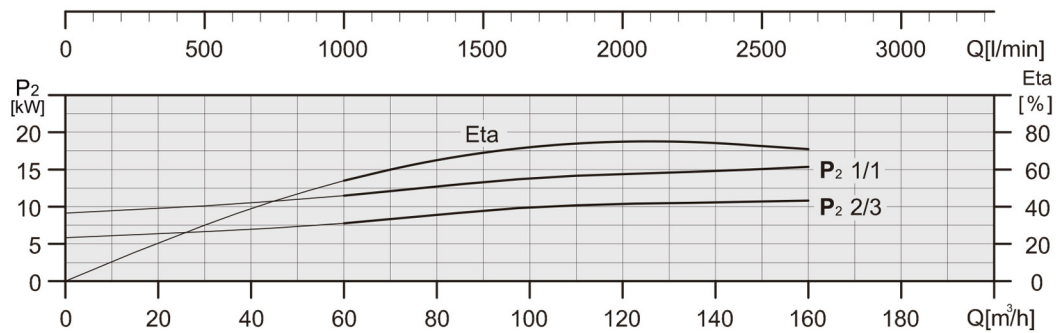
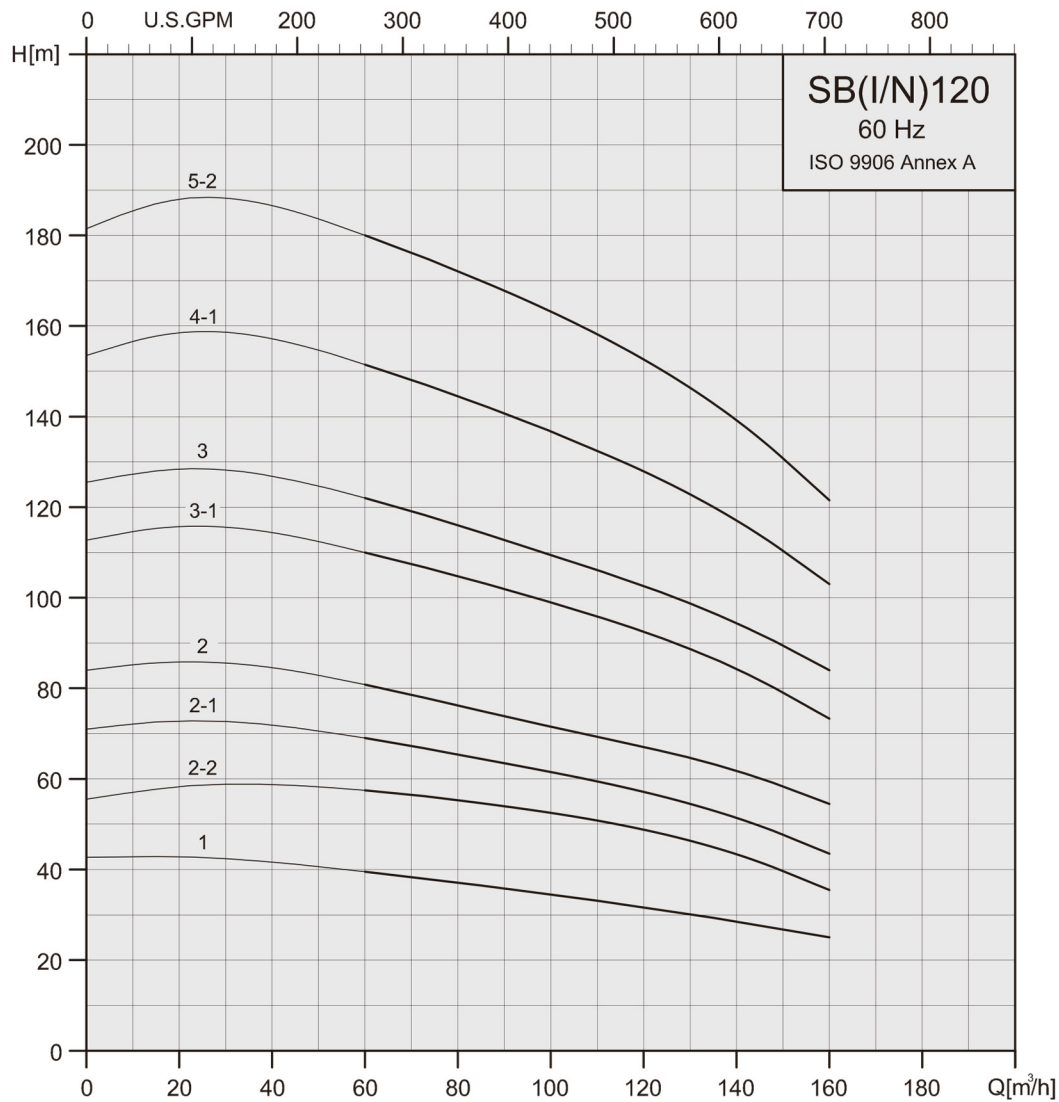
# Performance Curves

# SB(I/N) 120

Vertical Multistage Centrifugal In-line Pumps



## SB SBI SBN 120

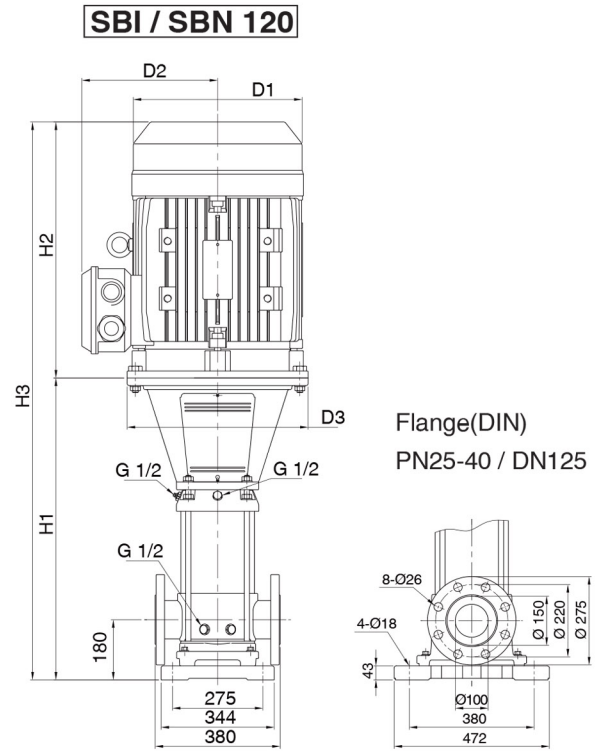
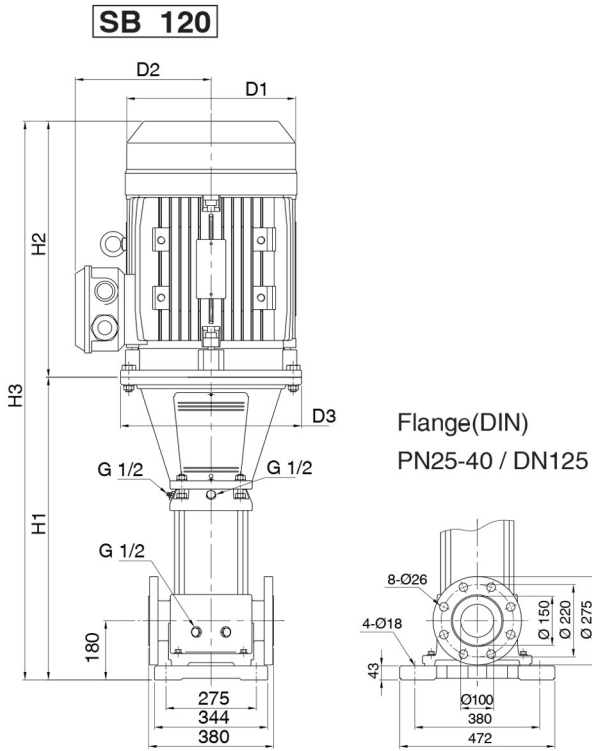




# Technical data

Vertical Multistage Centrifugal In-line Pumps

# SB(I/N) 120



## SB 120

60Hz	Motor P2		Nominal current [A]						Dimension[mm]						Net weight [kg]
			3Ø		3Ø		3Ø		DIN flange			D1	D2	D3	
Pump type	[kW]	[HP]	△ 220-277V	Y380-480V	△ 380-480V	Y660-830V	△460V	Y	H1	H2	H3	D1	D2	D3	DIN flange
SB 120-1	18.5	25	59.7 - 49.3	34.5 - 28.5	34.6 - 28.9	19.9 - 16.6	—	—	834	540	1374	318	241	350	239.1
Pump type	[kW]	[HP]	△ 220-240V	Y380-415V	△ 380-415V	Y660-720V	△460V	Y	H1	H2	H3	D1	D2	D3	DIN flange
SB 120-2-2	30	40	97.2 - 89.1	56.1 - 51.4	56.1 - 51.4	32.3 - 29.6	52.6	N / A	990	660	1650	390	295	400	365.5
SB 120-2-1	30	40	97.2 - 89.1	56.1 - 51.4	56.1 - 51.4	32.3 - 29.6	52.6	N / A	990	660	1650	390	295	400	365.5
SB 120-2	37	50	118.2 - 108.4	68.3 - 62.5	68.3 - 62.5	39.3 - 36.0	64.3	N / A	990	660	1650	390	295	400	383.5
SB 120-3-1	45	60	143.5 - 131.5	82.8 - 75.9	82.8 - 75.9	47.7 - 43.7	78.2	N / A	1149	690	1839	446	325	450	469.5
SB 120-3	55	75	174.0 - 159.5	100.5 - 92.0	100.5 - 92.0	57.9 - 53.0	96.0	N / A	1175	770	1945	485	355	550	589.8
SB 120-4-1	75	100	235.8 - 216.2	136.1 - 124.7	136.1 - 124.7	78.4 - 71.9	127.0	N / A	1331	845	2176	550	410	550	716.2
SB 120-5-2	75	100	235.8 - 216.2	136.1 - 124.7	136.1 - 124.7	78.4 - 71.9	127.0	N / A	1486	845	2331	550	410	550	726.2

## SBI ,SBN 120

60Hz	Motor P2		Nominal current [A]						Dimension[mm]						Net weight [kg]
			3Ø		3Ø		3Ø		DIN flange			D1	D2	D3	
Pump type	[kW]	[HP]	△ 220-277V	Y380-480V	△ 380-480V	Y660-830V	△460V	Y	H1	H2	H3	D1	D2	D3	DIN flange
SBI(N) 120-1	18.5	25	59.7 - 49.3	34.5 - 28.5	34.6 - 28.9	19.9 - 16.6	—	—	837	540	1377	318	241	350	219.2
Pump type	[kW]	[HP]	△ 220-240V	Y380-415V	△ 380-415V	Y660-720V	△460V	Y	H1	H2	H3	D1	D2	D3	DIN flange
SBI(N) 120-2-2	30	40	97.2 - 89.1	56.1 - 51.4	56.1 - 51.4	32.3 - 29.6	52.6	N / A	993	660	1653	390	295	400	349.8
SBI(N) 120-2-1	30	40	97.2 - 89.1	56.1 - 51.4	56.1 - 51.4	32.3 - 29.6	52.6	N / A	993	660	1653	390	295	400	349.8
SBI(N) 120-2	37	50	118.2 - 108.4	68.3 - 62.5	68.3 - 62.5	39.3 - 36.0	64.3	N / A	993	660	1653	390	295	400	367.9
SBI(N) 120-3-1	45	60	143.5 - 131.5	82.8 - 75.9	82.8 - 75.9	47.7 - 43.7	78.2	N / A	1152	690	1842	446	325	450	454.0
SBI(N) 120-3	55	75	174.0 - 159.5	100.5 - 92.0	100.5 - 92.0	57.9 - 53.0	96.0	N / A	1178	770	1948	485	355	550	574.4
SBI(N) 120-4-1	75	100	235.8 - 216.2	136.1 - 124.7	136.1 - 124.7	78.4 - 71.9	127.0	N / A	1334	845	2179	550	410	550	701.0
SBI(N) 120-5-2	75	100	235.8 - 216.2	136.1 - 124.7	136.1 - 124.7	78.4 - 71.9	127.0	N / A	1489	845	2334	550	410	550	711.0

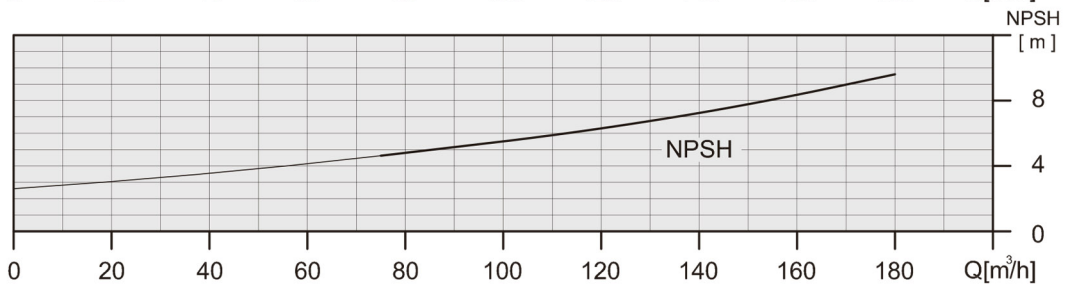
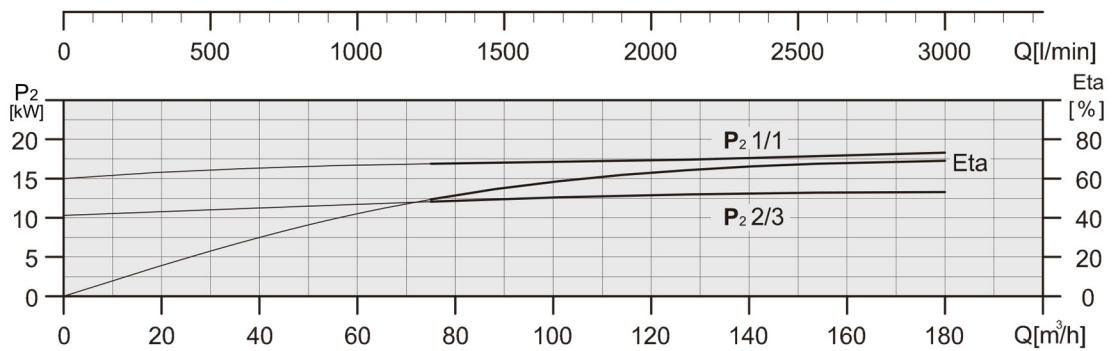
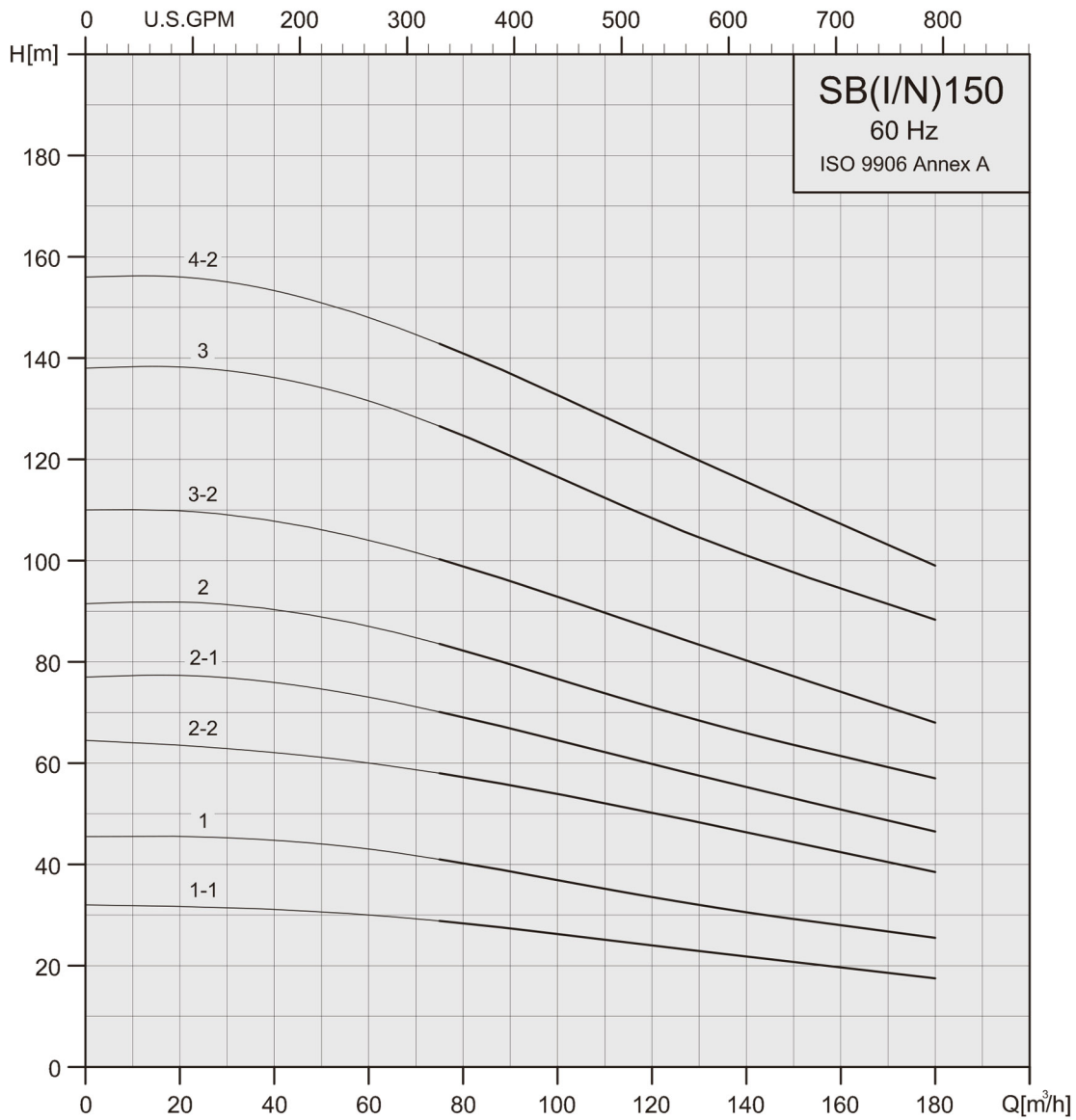
# Performance Curves

# SB(I/N) 150

Vertical Multistage Centrifugal In-line Pumps



## SB SBI SBN 150



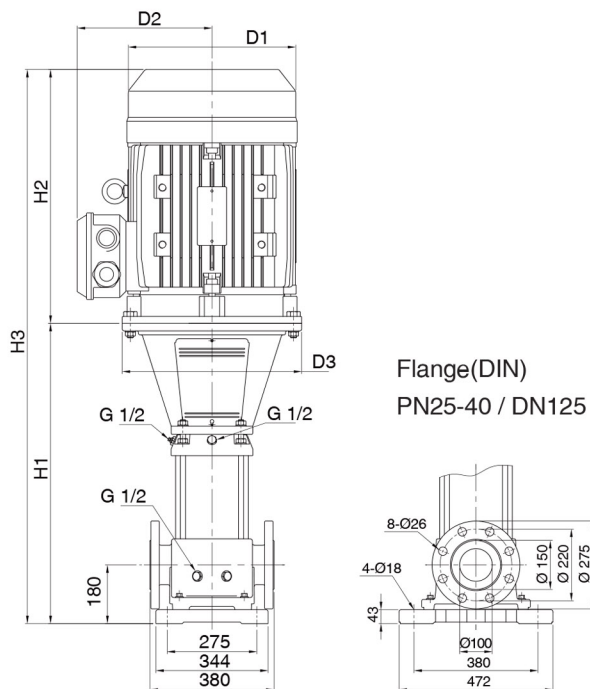
# Technical data

Vertical Multistage Centrifugal In-line Pumps

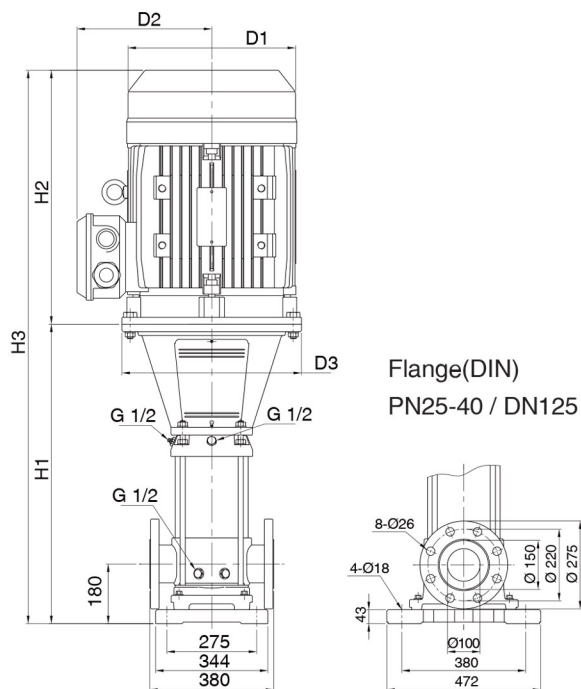
# SB(I/N) 150



**SB 150**



**SBI / SBN 150**



## SB 150

60Hz	Motor P2		Nominal current [A]						Dimension[mm]						Net weight [kg]
			3Ø		3Ø		3Ø		DIN flange			D1	D2	D3	
Pump type	[kW]	[HP]	△ 220-277V	Y 380-480V	△ 380-480V	Y 660-830V	△ 460V	Y	H1	H2	H3				D1
SB 150-1-1	18.5	25	59.7 - 49.3	34.5 - 28.5	34.6 - 28.9	19.9 - 16.6	—	—	834	540	1374	318	241	350	239.0
SB 150-1	22.0	30	70.4 - 58.5	40.7 - 33.8	41.1 - 34.3	23.7 - 19.8	—	—	834	540	1374	318	241	350	251.8
Pump type	[kW]	[HP]	△ 220-240V	Y 380-415V	△ 380-415V	Y 660-720V	△ 460V	Y	H1	H2	H3	D1	D2	D3	DIN flange
SB 150-2-2	30.0	40	97.2 - 89.1	56.1 - 51.4	56.1 - 51.4	32.3 - 29.6	52.6	N / A	990	660	1650	390	295	400	365.4
SB 150-2-1	37.0	50	118.2 - 108.4	68.3 - 62.5	68.3 - 62.5	39.3 - 36.0	64.3	N / A	990	660	1650	390	295	400	383.4
SB 150-2	45.0	60	143.5 - 131.5	82.8 - 75.9	82.8 - 75.9	47.7 - 43.7	78.2	N / A	994	690	1684	446	325	450	459.5
SB 150-3-2	55.0	75	174.0 - 159.5	100.5 - 92.0	100.5 - 92.0	57.9 - 53.0	96.0	N / A	1175	770	1945	485	355	550	589.7
SB 150-3	75.0	100	235.8 - 216.2	136.1 - 124.7	136.1 - 124.7	78.4 - 71.9	127.0	N / A	1175	845	2020	550	410	550	706.2
SB 150-4-2	75.0	100	235.8 - 216.2	136.1 - 124.7	136.1 - 124.7	78.4 - 71.9	127.0	N / A	1331	845	2176	550	410	550	716.2

## SBI ,SBN 150

60Hz	Motor P2		Nominal current [A]						Dimension[mm]						Net weight [kg]
			3Ø		3Ø		3Ø		DIN flange			D1	D2	D3	
Pump type	[kW]	[HP]	△ 220-277V	Y 380-480V	△ 380-480V	Y 660-830V	△ 460V	Y	H1	H2	H3				D1
SBI(N) 150-1-1	18.5	25	59.7 - 49.3	34.5 - 28.5	34.6 - 28.9	19.9 - 16.6	—	—	837	540	1377	318	241	350	222.7
SBI(N) 150-1	22.0	30	70.4 - 58.5	40.7 - 33.8	41.1 - 34.3	23.7 - 19.8	—	—	837	540	1377	318	241	350	235.7
Pump type	[kW]	[HP]	△ 220-240V	Y 380-415V	△ 380-415V	Y 660-720V	△ 460V	Y	H1	H2	H3	D1	D2	D3	DIN flange
SBI(N) 150-2-2	30.0	40	97.2 - 89.1	56.1 - 51.4	56.1 - 51.4	32.3 - 29.6	52.6	N / A	993	660	1653	390	295	400	349.1
SBI(N) 150-2-1	37.0	50	118.2 - 108.4	68.3 - 62.5	68.3 - 62.5	39.3 - 36.0	64.3	N / A	993	660	1653	390	295	400	367.1
SBI(N) 150-2	45.0	60	143.5 - 131.5	82.8 - 75.9	82.8 - 75.9	47.7 - 43.7	78.2	N / A	997	690	1687	446	325	450	443.3
SBI(N) 150-3-2	55.0	75	174 - 159.5	100.5 - 92.0	100.5 - 92.0	57.9 - 53.0	96.0	N / A	1178	770	1948	485	355	550	573.5
SBI(N) 150-3	75.0	100	235.8 - 216.2	136.1 - 124.7	136.1 - 124.7	78.4 - 71.9	127.0	N / A	1178	845	2023	550	410	550	690.1
SBI(N) 150-4-2	75.0	100	235.8 - 216.2	136.1 - 124.7	136.1 - 124.7	78.4 - 71.9	127.0	N / A	1334	845	2179	550	410	550	699.2

# Accessories

Vertical Multistage Centrifugal In-line Pumps



## Pipework connections

For pipework connection, various sets of counter flanges and couplings are available.

### Counter flanges for SB(I/N)

A set consists of one counter flange, one gasket, bolts, nuts, washers

Counter flange	Pump type	Nominal Rated Diameter	Description	Rated Pressure	Pipework connection
<p>DN 25 / PN25-40      DN 32 / PN25-40</p>	SB(I/N) 1 SB(I/N) 3 SB(I/N) 5	DN 25  DN 32	Threaded  Threaded	25-40 bar  25-40 bar	NPT 1"  NPT 1 1/4"
	SB(I/N) 10	DN 40	Threaded	25-40 bar	NPT 1 1/2"
	SB(I/N) 15 SB(I/N) 20	DN 50	Threaded	25-40 bar	NPT 2"
	SB(I/N) 32	DN 65	Threaded	25-40 bar	NPT 2 1/2"
	SB(I/N) 45	DN 80	Threaded	25-40 bar	NPT 3"
<p>DN 100 / PN16      DN 100 / PN25-40</p>	SB(I/N) 64 SB(I/N) 90	DN 100  DN 100	Threaded  Threaded	16 bar  25-40 bar	NPT 4"  NPT 4"
	SB(I/N) 120 SB(I/N) 150	DN 125	Threaded	25-40 bar	NPT 5"

The material of counter is in Steel(S45C), SS 304 and SS 316 available.



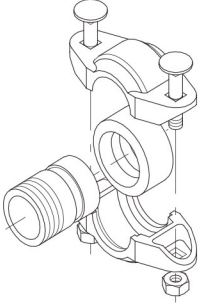
# Accessories

Vertical Multistage Centrifugal In-line Pumps



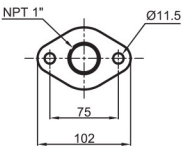
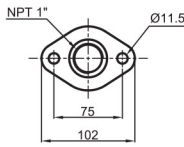
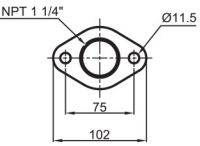
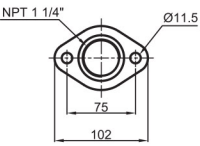
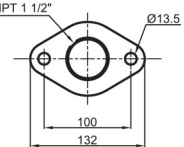
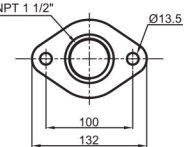
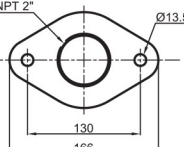
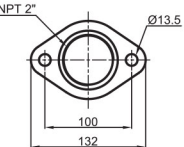
## PJE couplings for SBI(N)

A set consists of two coupling halves, one gasket, one pipe stud(threaded), bolts and nuts

Victaulic-connections	Pump type	Coupling & pipe stud	Max Pressure	Description	Rubber	Pipework connection
	SBI 1 / 3 / 5	304 SS	80 bar	Threaded	EPDM	R 1 1/4"
	SBN 1 / 3 / 5	316 SS				
	SBI 10 / 15 / 20	304 SS	70 bar	Threaded	EPDM	R 2"
	SBN 10 / 15 / 20	316 SS				

## Oval flanges for SB(I/N)

A set consists of one OVAL flange, one gasket, two bolts

Counter flange	Description	Max Pressure	Gasket	Pipework connection	
 <p><b>SB 1 . 3</b></p>	 <p><b>SB ( I / N ) 1 . 3</b></p>	Threaded	16 bar	Non Asbestos	NPT 1"
 <p><b>SB 5</b></p>	 <p><b>SB ( I / N ) 5</b></p>	Threaded	16 bar	Non Asbestos	NPT 1 1/4"
 <p><b>SB 10</b></p>	 <p><b>SB ( I / N ) 10</b></p>	Threaded	16 bar	Non Asbestos	NPT 1 1/2"
 <p><b>SB 15 . 20</b></p>	 <p><b>SB ( I / N ) 15 . 20</b></p>	Threaded	10 bar	Non Asbestos	NPT 2"

The material of counter is in Steel(S45C), SS 304 and SS 316 available.



**GOL PUMPS TECHNOLOGY INC**

6520 NW 77th CT , Miami FL 33166

Ph: +1 (786) 615 8984

Fax: +1 (786) 615 7043

[Info@golpumps.com](mailto:Info@golpumps.com)

[www.golpumps.com](http://www.golpumps.com)