



G.P.T CO

Gol Pump Technology Company

GOMAX Series, these non-clog pumps employ a singlechannel enclosed impeller to efficiently and reliably transfer 76mm diameter solids without clogging.

GOMAX series pumps are suitable for commercial and industrial wastewater applications.

60Hz



Sewage Pump

GOMAX 475

Single Channel Pump

SINGLE CHANNEL



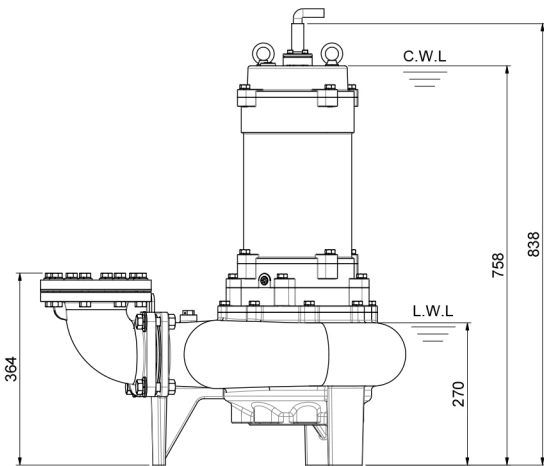
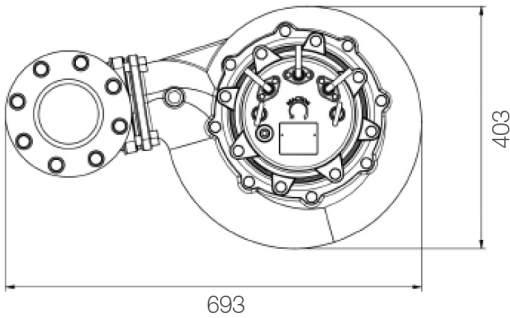


G.P.T CO

www.golpumps.com
www.golpumps.us

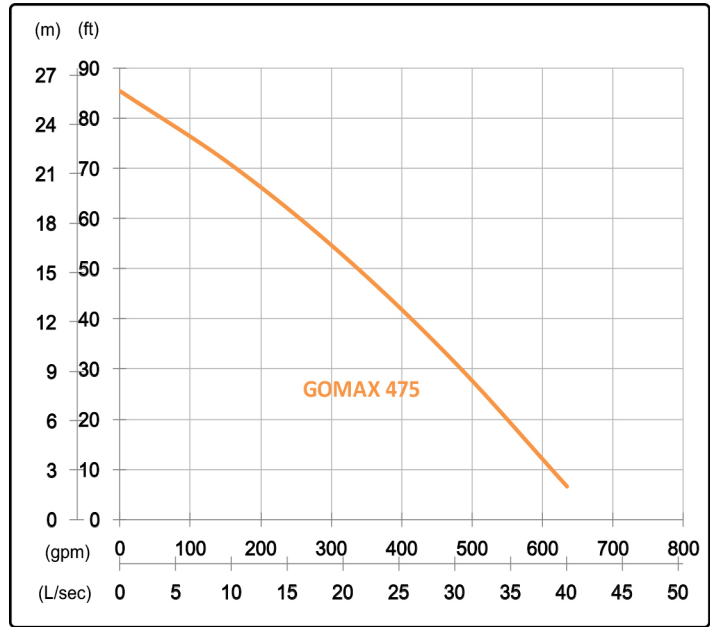
Hz 60

GOMAX 475
Single Channel Pump



unit : mm

Weight : 142kg / 313 lbs



Shaft Speed : 1750 rpm

Outlet : 100mm, 4in

OUTPUT	HEAD	FLOW
7.5 kW	Rated : 16m, 52ft	Rated : 20 L/s, 317 gpm
10 HP	Max : 26m, 85ft	Max : 40 L/s, 634 gpm

Solid Passage : 76mm, 3in

Pump Type	Electric Submersible Pumps	
	3-Phase	
Motor	Type	Induction Motor
	Poles	4 Pole
	Insulation	Class F
	Protector	Star-Delta • Miniature Thermal Sensors D.O.L. • Circle Thermal Protector
	Starter	Star-Delta , D.O.L.
Lubricant	Food Grade (ISO VG32)	
Impeller Type	Single Channel	
Shaft Seal	Double Mechanical Seal	
	Silicon Carbide VS Ceramic / Carbon	
Bearings	C3 Shielded ball bearings	
Cable	PVC (CSA Certified) / H07RN-F	
	10m (33ft) or longer upon request.	
Materials	Pump Casing	Gray Iron
	Impeller	Gray Iron
	Motor Frame	Gray Iron
	Motor Shaft	Stainless Steel
	Mouth Ring	Copper Alloy
Max. Liquid Temperature	40°C (104°F)	
Max. Submersion Depth	20m (66ft)	
pH Range	pH 5 - pH 8	
Guide Rail	GRN-04	