



Gol Pumps Technology Company
Supply, Import, Export Water Pumps

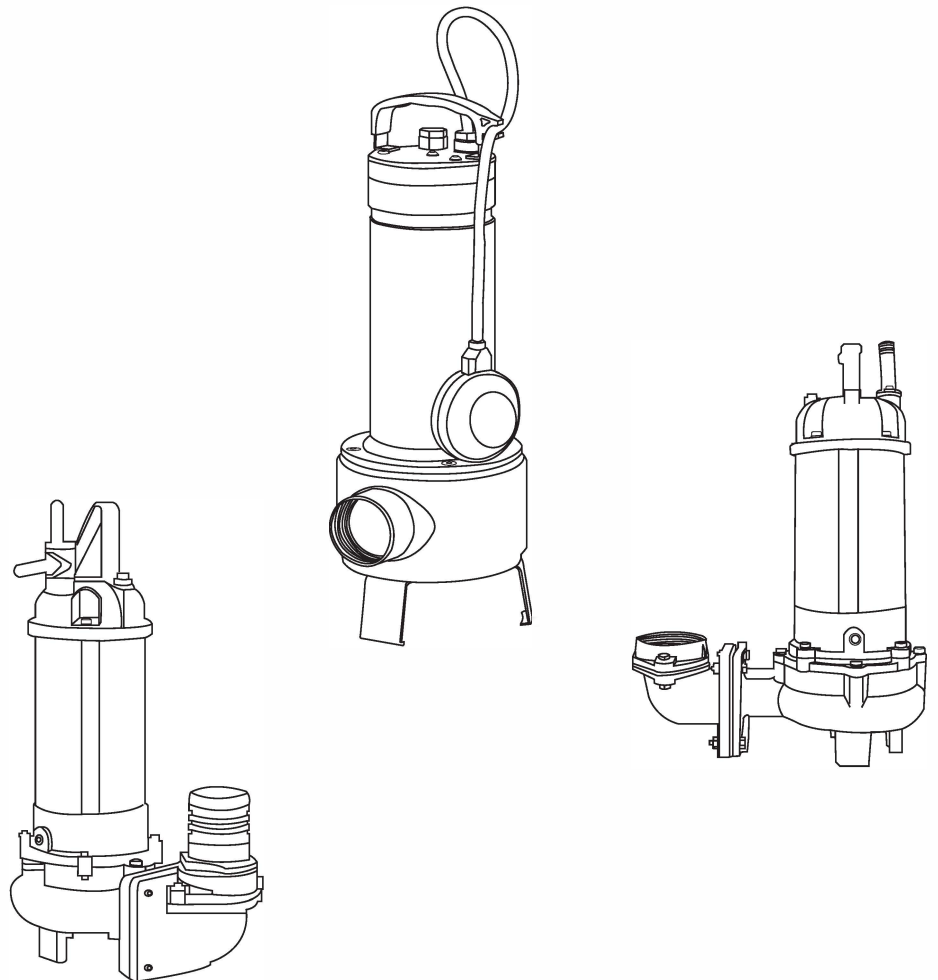
Submersible Drainage & Sewage Pumps

60HZ





Gol Pumps Technology Company
Supply, Import, Export Water Pumps



page	Performance curves / Technical data
3	XD Submersible Drainage Pumps
5	XV Submersible Vortex Sewage Pumps
7	HM Submersible Vortex Sewage Pumps
9	SD Submersible Drainage Pumps
11	SV Submersible Vortex Sewage Pumps
13	SVN Submersible Vortex Sewage Pumps
15	SC Submersible Cutter Sewage Pumps
17	SA Submersible Agitator Sewage Pumps
19	Guide Rail System



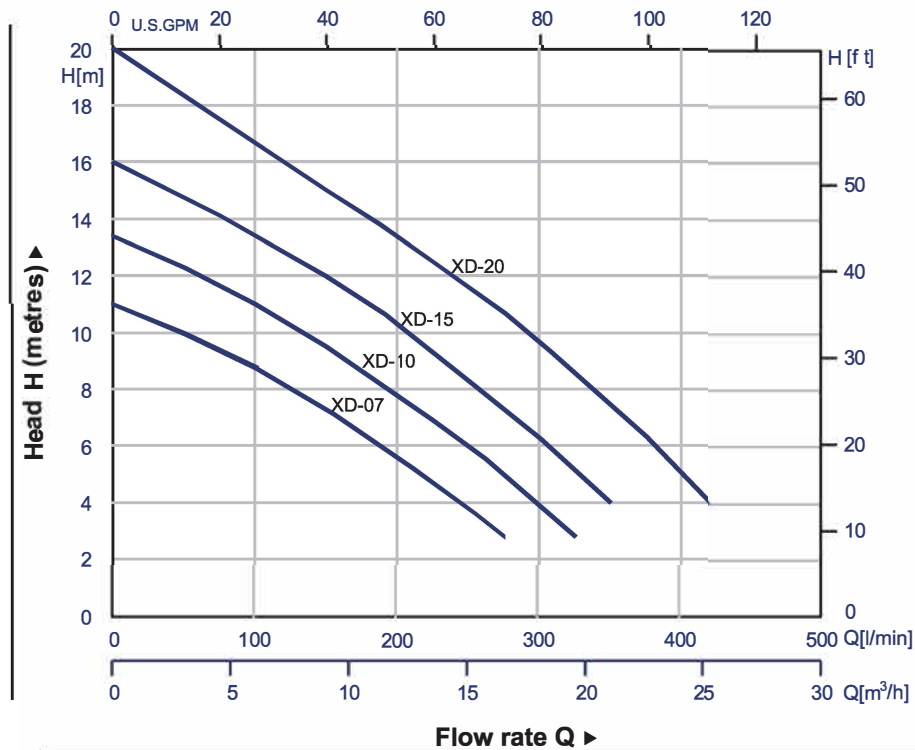
General Data/Material



Operating Conditions	Applications	Emptying of septic tanks and residential sumps.
	Fluid Temperature	0 to 122°F
Motor	Type	Dry Type
	Pole	2-pole
	Insulation	Class F
	Protection	IP68
	Protection Device	Thermal Protector (single phase)
Pump	Impeller	Open Impeller
	Shaft Seal/Material	Double seals
	Bearing	Double-shielded Ball Bearing

Component	Material
Cable	H07RN-F
Handle	AISI 304+Nylon
Motor Cover	AISI 304
Motor Casing	AISI 304
Fixing Ring	AISI 304
Pump Body	AISI 304
Mechanical seal	Sic/Sic/NBR
Impeller	AISI 304
Key	AISI 304
Pump Casing	AISI 304
Oil Seal	NBR
Shaft	AISI 304
V-type Axial Oil Seal	NBR
Suction flange	AISI 304

Characteristic curves N= 3450 rpm

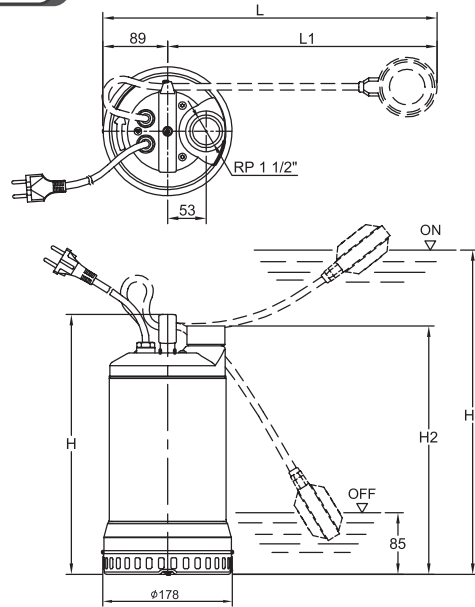


Specifications

Model	Power HP (kW)	Discharge inch	Phase (Voltage)	Standard		Max		Solid Passage mm	Cable M
				Head M	Capacity LPM	Head M	Capacity LPM		
XD-07	0.75(0.55)	RP 1 1/2"	1 ϕ 220V-230V / 3 ϕ 220V-230V / 380V-400V	8.7	100	11	275	8	10
XD-10	1.0(0.75)	RP 1 1/2"	1 ϕ 220V-230V / 3 ϕ 220V-230V / 380V-400V	11	100	13.4	325	8	10
XD-15	1.5(1.1)	RP 1 1/2"	1 ϕ 220V-230V / 3 ϕ 220V-230V / 380V-400V	12	150	16	350	8	10
XD-20	2.0(1.5)	RP 1 1/2"	3 ϕ 220V-230V / 380V-400V	15	150	20	420	8	10

Auto Float Switches are available in Single-phase

Dimensions and Weights



SINGLE-PHASE

Model	Dimension (mm)					
	H	H1	H2	L	L1	N.W. kg
XD-07	357	437	341	459	370	12
XD-10	407	497	391	514	425	15
XD-15	407	497	391	514	425	17

THREE-PHASE

Model	Dimension (mm)		
	H	H2	N.W. kg
XD-07	357	341	12
XD-10	357	341	12
XD-15	407	391	15
XD-20	407	391	17

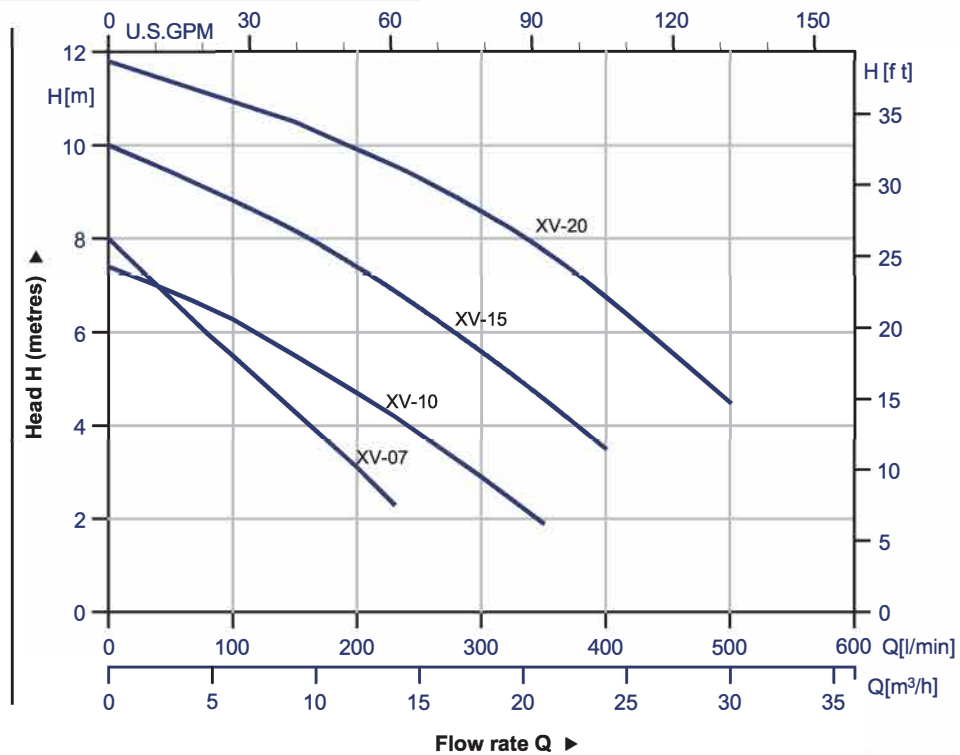
General Data/Material



Operating Conditions	Applications	Emptying of septic tanks and residential sumps.
	Fluid Temperature	0 to 95°C
Motor	Type	Dry Type
	Pole	2-pole
	Insulation	Class F
	Protection	IP68
Pump	Protection Device	Thermal Protector (single phase)
	Impeller	Vortex Impeller
	Shaft Seal/Material	Double seals
	Bearing	Double-shielded Ball Bearing

Component	Material
Cable	H07RN-F
Handle	AISI 304+Nylon
Motor Cover	AISI 304
Motor Casing	AISI 304
Fixing Ring	AISI 304
Pump Body	AISI 304
Mechanical seal	Sic/Sic/NBR
Impeller	AISI 304
Key	AISI 304
Pump Casing	AISI 304
Oil Seal	NBR
Shaft	AISI 304
V-type Axial Oil Seal	NBR
Suction flange	AISI 304

Characteristic curves N= 3450 rpm

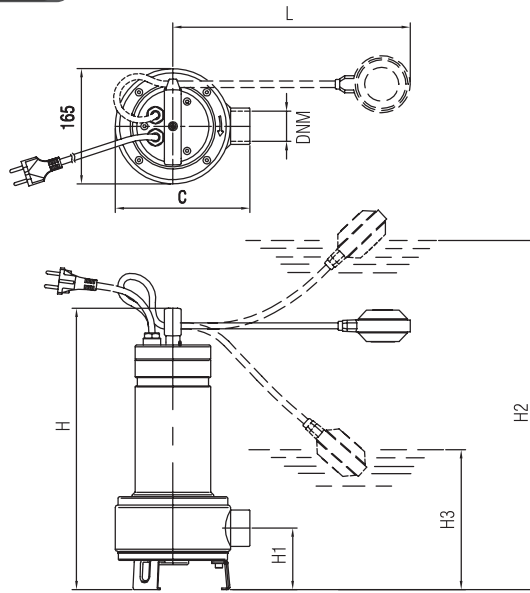


Specifications

Model	Power HP (kW)	Discharge inch	Phase (Voltage)	Standard		Max		Solid Passage mm	Cable M
				Head M	Capacity LPM	Head M	Capacity LPM		
XV-07	0.75(0.55)	RP1 1/2"	1 ϕ 220V-230V/3 ϕ 220V-230V/380V-400V	5.9	80	8	230	35	5
XV-10	1.0(0.75)	RP 2"	1 ϕ 220V-230V/3 ϕ 220V-230V/380V-400V	6.3	100	7.4	350	50	10
XV-15	1.5(1.1)	RP 2"	1 ϕ 220V-230V/3 ϕ 220V-230V/380V-400V	8.8	100	10	400	50	10
XV-20	2.0(1.5)	RP 2"	3 ϕ 220V-230V/380V-400V	10.5	150	11.8	500	50	10

Auto Float Switches are available in Single-phase

Dimensions and Weights



SINGLE-PHASE

Model	Dimension (mm)							
	H	H1	H2	H3	L	C	DNM	N.W. kg
XV-07	403	88	483	185	350	193	RP1 1/2"	11
XV-10	486	111.5	566	268	350	198	RP 2"	14
XV-15	486	111.5	566	268	350	198	RP 2"	15

THREE-PHASE

Model	Dimension (mm)				
	H	H1	C	DNM	N.W. kg
XV-07	403	88	193	RP1 1/2"	11
XV-10	436	111.5	198	RP 2"	12
XV-15	486	111.5	198	RP 2"	14
XV-20	486	111.5	198	RP 2"	15

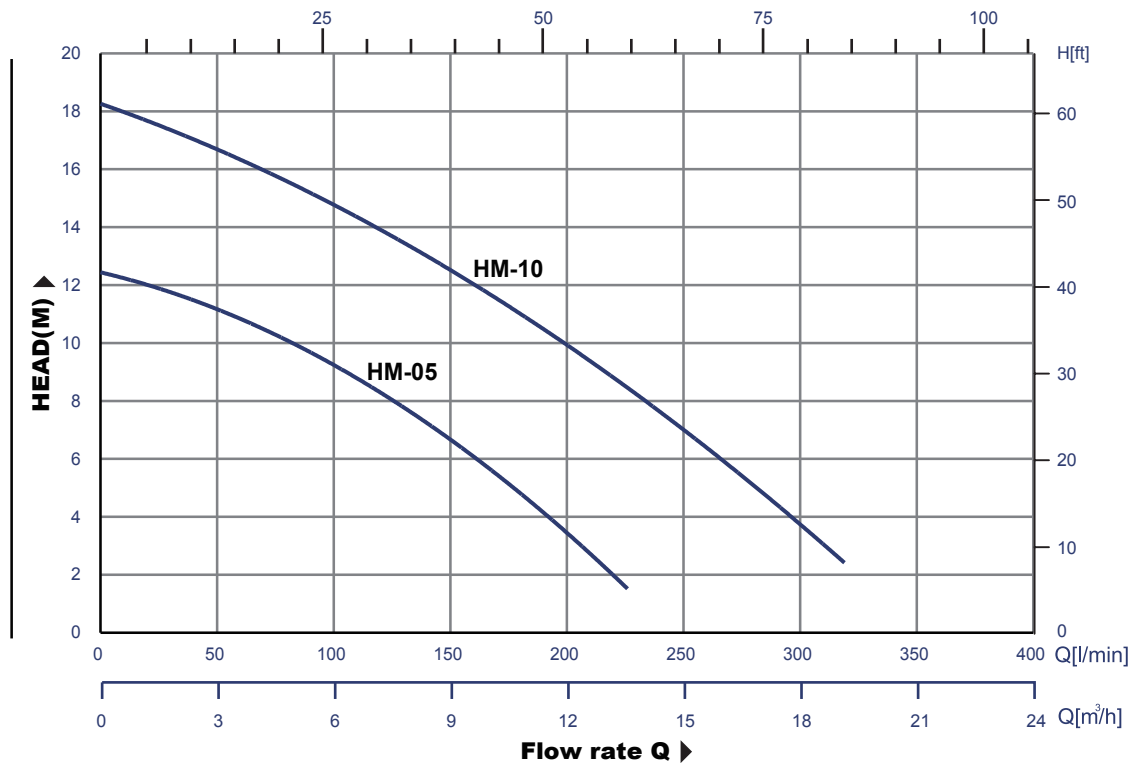
General Data/Material



Operating Conditions	Applications	Waste water for domestic and civil purposes
	Fluid Temperature	0 to 104 F
Motor	Type	Dry Type
	Pole	2-pole
	Insulation	Class F
	Protection	IP68
	Protection Device	Thermal Protector (single phase) Overload Protector (three phase)
Pump	Impeller	Vortex Impeller
	Shaft Seal/Material	Double Mechanical Seal
	Bearing	Double-shielded Ball Bearing

Component	Material
Cable	H07RN-F
Handle	Nylon 6
Motor Cover	ADC 12
End Bracket	SECC
Pump Casing	Cast Iron GJL 200
Impeller	TPU
Strainer	PVC
Agitator	SMF 5030
Mechanical seal: Upper	CA/CE
Lower	Sic/Sic
Shaft	AISI 410
Motor Housing	ADC 12

Characteristic curves N= 3450 rpm

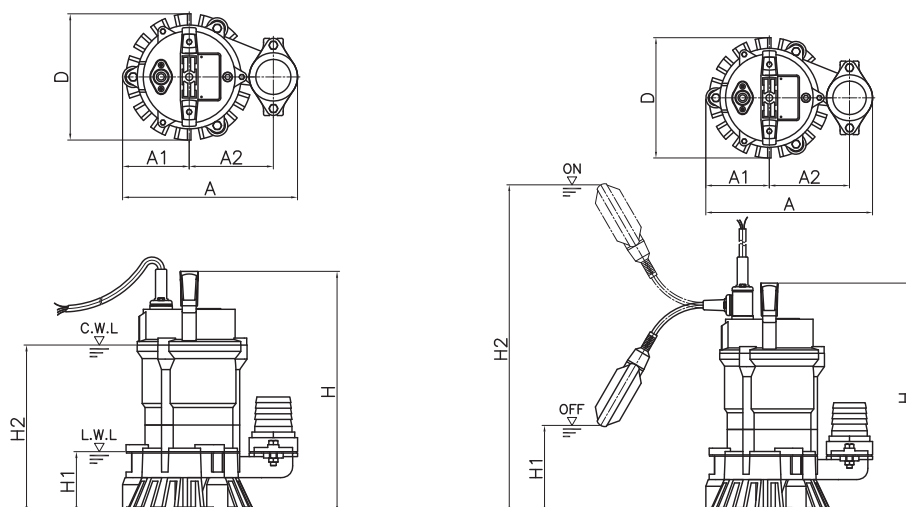


Specifications

Model	Power HP (kW)	Discharge inch	Phase	Standard		Max		Solid Passage mm	N.W. kg	Cable M
				Head M	Capacity LPM	Head M	Capacity LPM			
HM 05-50	1/2 (0.37)	2"	1φ/3φ	7	120	12	240	10	12.5	10
HM 10-50(80)	1 (0.75)	2"/3"	1φ/3φ	10	200	18	350	10	15.5	10

Auto Float Switches are available in Single-phase

Dimensions and Weights



Model	Dimension (mm)						
	A	A1	A2	D	H	H1	H2
HM-05-50	250	95	120	180	344	87	239
HM-05MA-50	250	95	120	180	344	131	491
HM-10-50(80)	280	95	135	180	369	87	264
HM-10MA-50(80)	280	95	135	180	369	156	516

A= Auto Float Switch

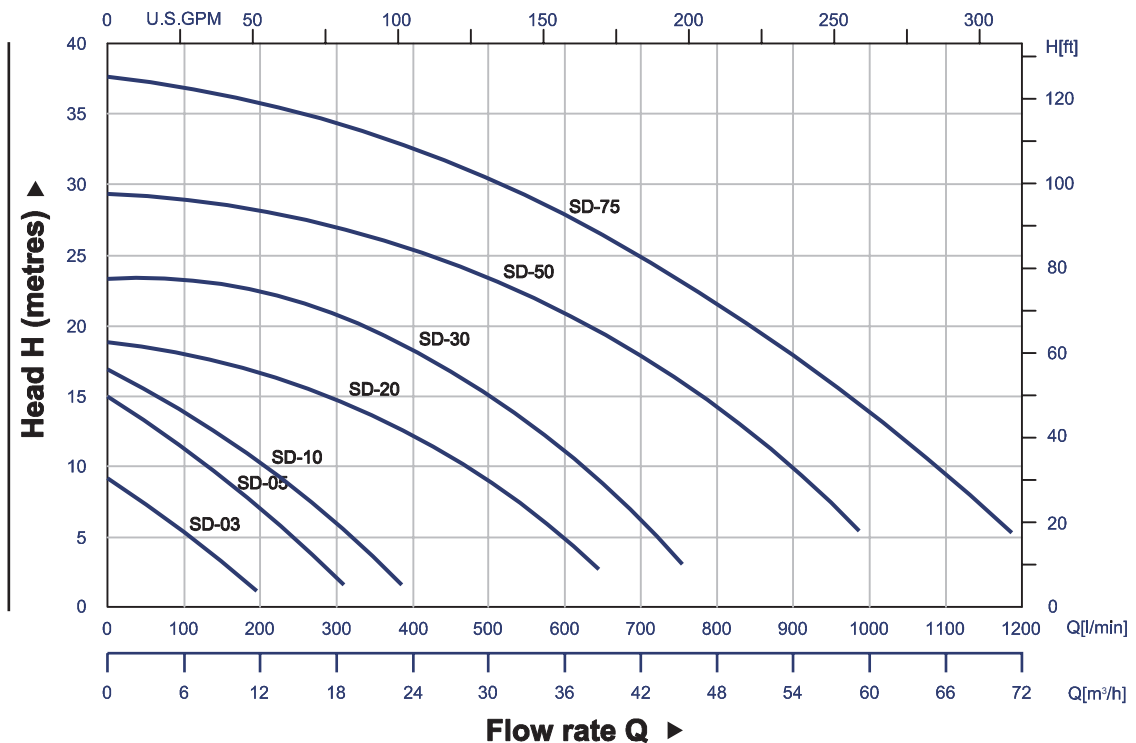
General Data/Material



Operating Conditions	Applications	Rain and spring water drainage for domestic and civil purposes
	Fluid Temperature	0 to 40 °C
Motor	Type	Dry Type
	Pole	2-pole
	Insulation	Class F
	Protection	IP68
Pump	Protection Device	Thermal Protector (single phase) Overload Protector (three phase)
	Impeller	Effluent Impeller
	Shaft Seal/Material	Double Mechanical Seal and one Oil Seal
	Bearing	Double-shielded Ball Bearing

Component	Material
Cable	H07RN-F
Handle	Nylon SS 41
Motor Cover	Cast Iron GJL 200
Seal Housing	Cast Iron GJL 200
Bracket	Cast Iron GJL 200
Oil Chamber	Cast Iron GJL 200
Pump Casing	Cast Iron GJL 200
Impeller	Cast Iron GJL 200
Strainer	AISI 304
Mechanical seal: Upper	CA/CE
Lower	Sic/Sic
Oil Seal	NBR
Shaft	AISI 410
Motor Housing	AISI 304

Characteristic curves N= 3450 rpm



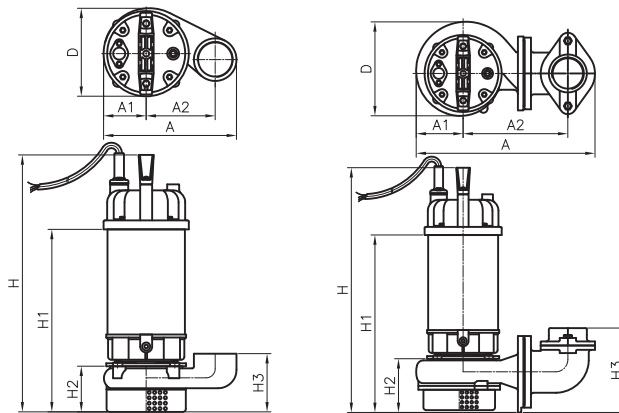
Specifications

Model	Power HP (kW)	Discharge inch	Phase	Standard		Max		Solid Passage mm	N.W. kg	Cable M
				Head M	Capacity LPM	Head M	Capacity LPM			
SD-03-50	1 / 3(0.25)	2"	1φ/3φ	5	80	9	210	6	12.5	10
SD-05-50	1/2 (0.37)	2"	1φ/3φ	6	200	15	320	6	13.5	10
SD-10-50	1 (0.75)	2"	1φ/3φ	8	220	17	400	6	18.5	10
SD-20-50(80)	2 (1.5)	2"/3"	1φ/3φ	12	400	19	700	6	34	10
SD-30-50(80)	3 (2.2)	2"/3"	3φ	15	400	24	800	6	35	10
SD-50-80(100)	5 (3.7)	3"/4"	3φ	19	500	29	1000	6	57	10
SD-75-80(100)	7.5 (5.5)	3"/4"	3φ	25	600	37	1300	6	63	10

SD-03-50 ~ SD-10-50: Thread Type
SD-20-50(80): Elbow Type (2" or 3")

SD-50-80(100) ~ SD-75-80(100): Elbow Type (3" or 4")
Auto Float Switches are available in Single-phase

Dimensions and Weights



Model	Dimension (mm)							
	A	A1	A2	D	H	H1	H2	H3
SD-03-50	221	71	115	141	348	235	76	97
SD-05-50	221	71	115	141	373	260	76	97
SD-10-50	221	71	115	147	428	304	76	97
SD-20-50(80)	403	103	250	212	536	388	110	164
SD-30-50(80)	403	103	250	212	556	408	110	164
SD-50-80(100)	463	110	260	227	605	440	132	215
SD-75-80(100)	463	110	260	227	645	480	132	215

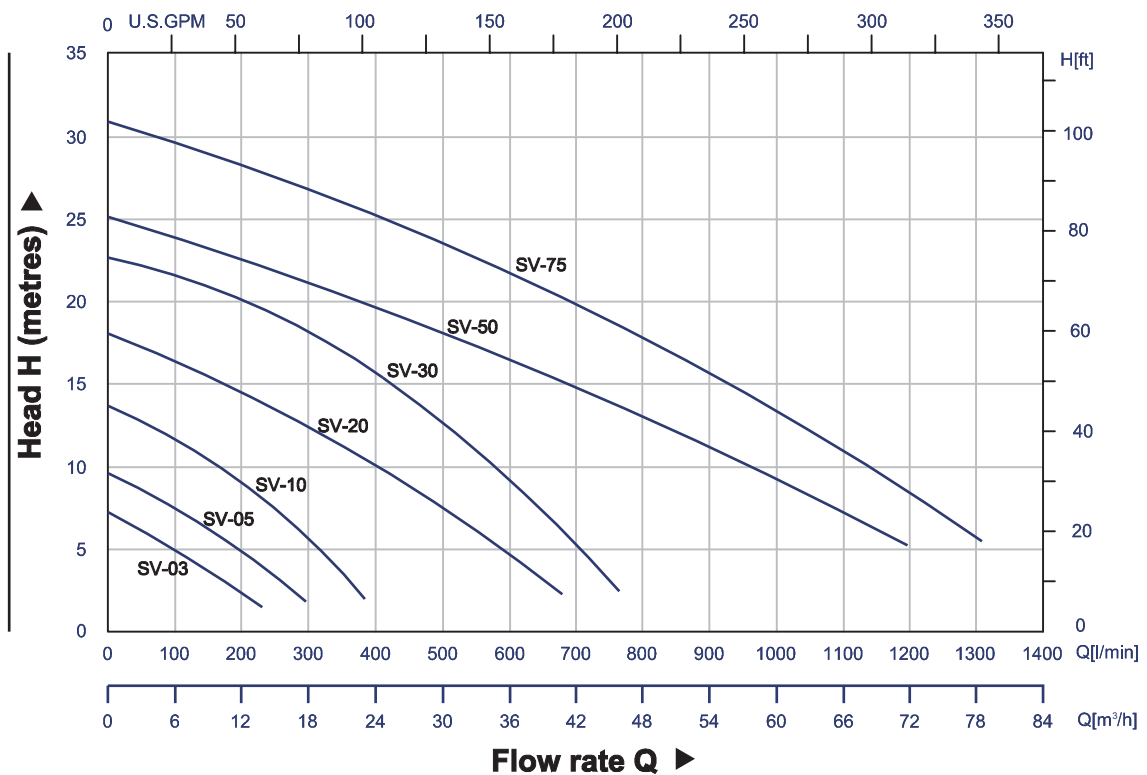
General Data/Material



Operating Conditions	Applications	Waste water and Sewage for domestic purposes
	Fluid Temperature	0 to 40 °C
Motor	Type	Dry Type
	Pole	2-pole
	Insulation	Class F
	Protection	IP68
Pump	Protection Device	Thermal Protector (single phase) Overload Protector (three phase)
	Impeller	Vortex Impeller
	Shaft Seal/Material	Double Mechanical Seal and one Oil Seal
	Bearing	Double-shielded Ball Bearing

Component	Material
Cable	H07RN-F
Handle	Nylon SS 41
Motor Cover	Cast Iron GJL 200
Seal Housing	Cast Iron GJL 200
Bracket	Cast Iron GJL 200
Oil Chamber	Cast Iron GJL 200
Pump Casing	Cast Iron GJL 200
Impeller	Cast Iron GJL 200
Mechanical seal: Upper	CA/CE
Lower	Sic/Sic
Oil Seal	NBR
Shaft	AISI 410
Motor Housing	AISI 304

Characteristic curves N= 3450 rpm



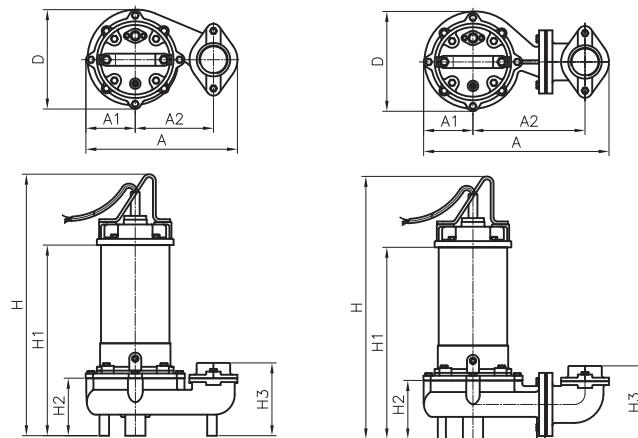
Specifications

Model	Power HP (kW)	Discharge inch	Phase	Standard		Max		Solid Passage mm	N.W. kg	Cable M
				Head M	Capacity LPM	Head M	Capacity LPM			
SV-03-50	1/3 (0.25)	2"	1φ/3φ	4	120	7	250	35	12.5	10
SV-05-50	1/2 (0.37)	2"	1φ/3φ	6	150	9	300	35	13.5	10
SV-10-50	1 (0.75)	2"	1φ/3φ	8	200	14	400	35	18.5	10
SV-20-50(80)	2 (1.5)	2"/3"	1φ/3φ	10	400	18	700	35	34	10
SV-30-50(80)	3 (2.2)	2"/3"	3φ	11	450	23	800	35	35	10
SV-50-80(100)	5 (3.7)	3"/4"	3φ	15	550	25	1300	50	57	10
SV-75-80(100)	7.5 (5.5)	3"/4"	3φ	20	650	31	1300	50	63	10

SV-03-50 ~ SV-05-50: Threaded Flange Type
 SV-10-50: Threaded Flange Type or Elbow Type (2")

SV-20-50(80) ~ SV-30-50(80): Elbow Type (2" or 3")
 SV-50-80(100) ~ SV-75-80(100): Elbow Type (3" or 4")
 Auto Float Switches are available in Single-phase

Dimensions and Weights



Model	Dimension (mm)							
	A	A1	A2	D	H	H1	H2	H3
SV-03-50	222	73	115	145	385	272	113	133
SV-05-50	222	73	115	145	410	297	113	133
SV-10-50	222	73	115	149	464	340	113	133
SV-20-50(80)	387	103	234	208	548	400	122	153
SV-30-50(80)	387	103	234	208	568	420	122	153
SV-50-80(100)	459	110	256	227	638	471	160	220
SV-75-80(100)	459	110	256	227	678	511	160	220

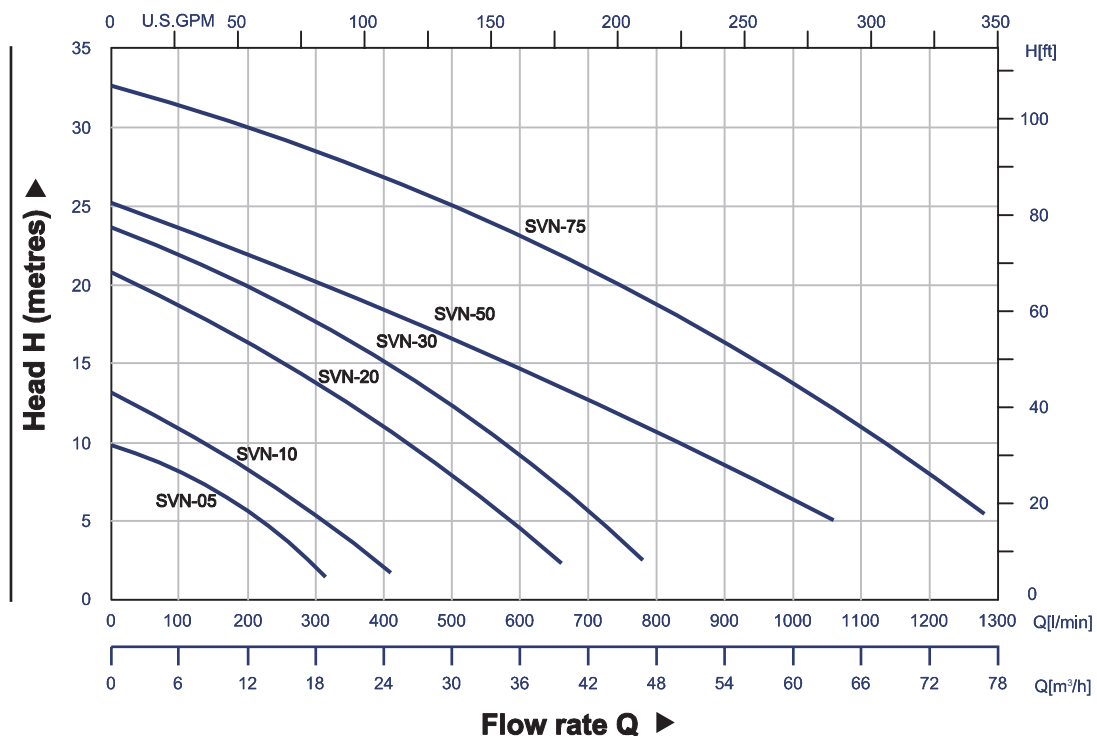
General Data/Material



Operating Conditions	Applications	Waste water and Sewage for domestic and industrial purposes
	Fluid Temperature	0 to 40 °C
Motor	Type	Dry Type
	Pole	2-pole
	Insulation	Class F
	Protection	IP68
	Protection Device	Thermal Protector (single phase) Overload Protector (three phase)
Pump	Impeller	Vortex Impeller
	Shaft Seal/Material	Double Mechanical Seal and one oil Seal
	Bearing	Double-shielded Ball Bearing

Component	Material
Cable	H07RN-F
Handle	AISI 304
Motor Cover	AISI 316
Seal Housing	AISI 316
Bracket	Cast Iron GJL 200
Oil Chamber	AISI 316
Pump Housing	AISI 316
Impeller	AISI 316
Mechanical seal: Upper	CA/CE
Lower	Sic/Sic
Oil Seal	VITON
Shaft	AISI 316
Motor Housing	AISI 316

Characteristic curves N= 3450 rpm



Specifications

Model	Power HP (kW)	Discharge inch	Phase	Standard		Max		Solid Passage mm	N.W. kg	Cable M
				Head M	Capacity LPM	Head M	Capacity LPM			
SVN-05-50	1/2 (0.37)	2"	1φ/3φ	6	150	10	300	35	13.5	10
SVN-10-50	1 (0.75)	2"	1φ/3φ	8	200	13	400	35	18.5	10
SVN-20-50(80)	2 (1.5)	2"/3"	1φ/3φ	12	400	20	700	35	34	10
SVN-30-50(80)	3 (2.2)	2"/3"	3φ	13	450	23	800	35	35	10
SVN-50-80(100)	5 (3.7)	3"/4"	3φ	15	550	25	1100	50	57	10
SVN-75-80(100)	7.5 (5.5)	3"/4"	3φ	20	700	33	1300	50	63	10

SVN-05-50: Thread Type

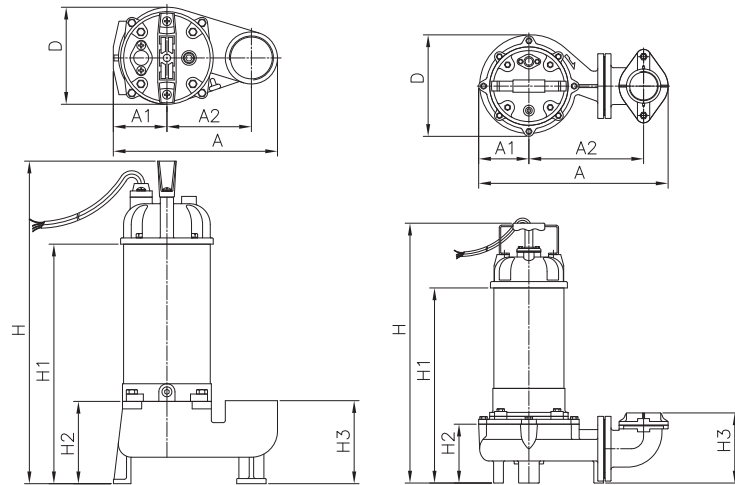
SVN-10-50: Thread Type or Elbow Type (2")

SVN-20-50(80) ~ SVN-30-50(80): Elbow Type (2" or 3")

SVN-50-80(100) ~ SVN-75-80(100): Elbow Type (3" or 4")

Auto Float Switches are available in Single-phase

Dimensions and Weights



Model	Dimension (mm)							
	A	A1	A2	D	H	H1	H2	H3
SVN-05-50	224	73	115	132	409	296	112	113
SVN-10-50	224	73	115	132	439	326	112	113
SVN-20-50(80)	387	103	234	205	530	398	120	143
SVN-30-50(80)	387	103	234	205	550	418	120	143
SVN-50-80(100)	459	110	256	230	641	471	160	220
SVN-75-80(100)	459	110	256	230	681	511	160	220



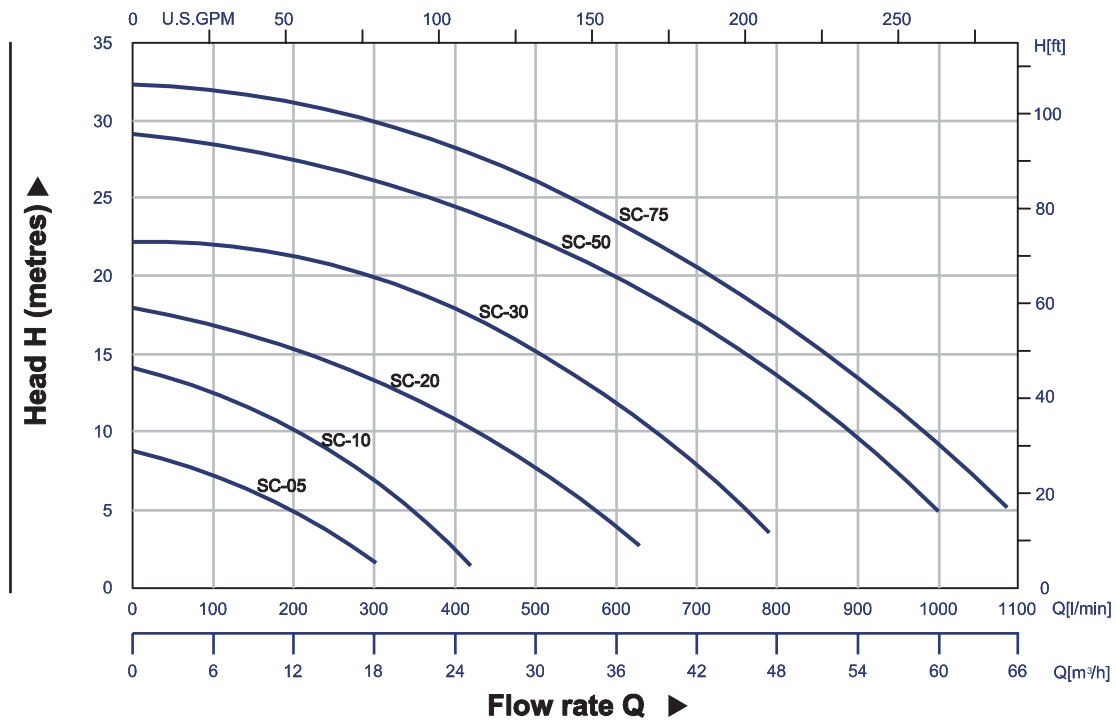
General Data/Material



Operating Conditions	Applications	Waste water for domestic and civil purposes
	Fluid Temperature	0 to 40 °C
Motor	Type	Dry Type
	Pole	2-pole
	Insulation	Class F
	Protection	IP68
	Protection Device	Thermal Protector
Pump	Impeller	Semi-Open Impeller with Tungstein Carbide Edge
	Shaft Seal/Material	Double Mechanical Seal and one oil Seal
	Bearing	Double-shielded Ball Bearing

Component	Material
Cable	H07RN-F
Handle	Nylon SS 41
Motor Cover	Cast Iron GJL 200
Seal Housing	Cast Iron GJL 201
Bracket	Cast Iron GJL 202
Oil Chamber	Cast Iron GJL 203
Pump Casing	Cast Iron GJL 204
Impeller	Cast Iron GJS 450
Mechanical seal: Upper	CA/CE
Lower	Sic/Sic
Oil Seal	NBR
Cutter edge	Tungsten
Shaft	AISI 410
Motor Housing	AISI 304

Characteristic curves N= 3450 rpm



Specifications

Model	Power HP (kW)	Discharge inch	Phase	Standard		Max		Solid Passage mm	N.W. kg	Cable M
				Head M	Capacity LPM	Head M	Capacity LPM			
SC-05-50	1/2 (0.37)	2"	1φ/3φ	6	150	9	300	22	13.5	10
SC-10-50	1 (0.75)	2"	1φ/3φ	9	210	14	450	22	18.5	10
SC-20-50(80)	2 (1.5)	2"/3"	1φ/3φ	10	400	18	650	22	34	10
SC-30-50(80)	3 (2.2)	2"/3"	3φ	13	550	22	800	22	35	10
SC-50-80(100)	5 (3.7)	3"/4"	3φ	18	600	29	1000	28	57	10
SC-75-80(100)	7.5 (5.5)	3"/4"	3φ	20	650	33	1100	28	63	10

SC-05-50: Threaded Flange Type

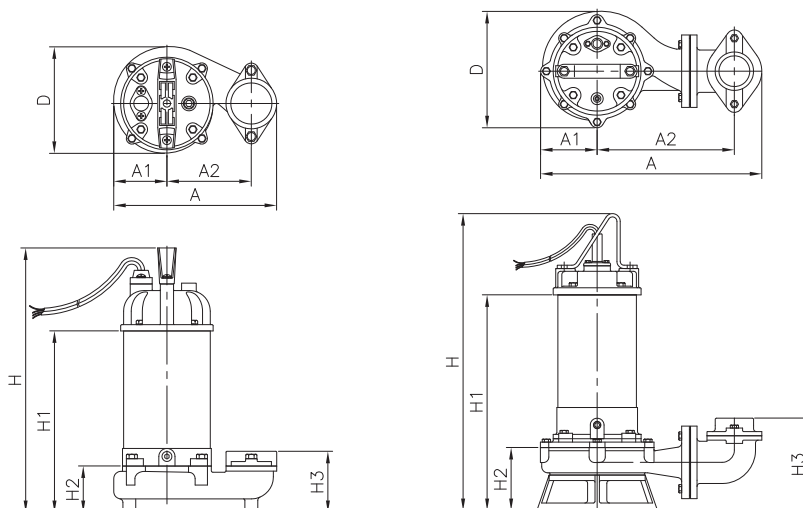
SC-10-50: Threaded Flange type or Elbow Type

SC-20-50(80)~SC-30-50(80): Elbow Type (2" or 3")

SC-50-80(100)~SC-75-80(100): Elbow Type (3" or 4")

Auto Float Switches are available in Single-phase

Dimensions and Weights



Model	Dimension (mm)								
	A	A1	A2	D	H	H1	H2	H3	
SC-05-50	222	73	115	145	372	259	75	95	
SC-10-50	Flange	222	73	115	149	427	303	75	95
	Elbow	336	93	193	188	454	330	103	159
SC-20-50(80)	1Ø	403	103	250	212	561	413	115	169
	3Ø	403	103	250	212	541	393	115	169
SC-30-50(80)	403	103	250	212	561	413	115	169	
SC-50-80(100)	463	110	260	227	610	445	137	220	
SC-75-80(100)	463	110	260	227	650	485	137	220	



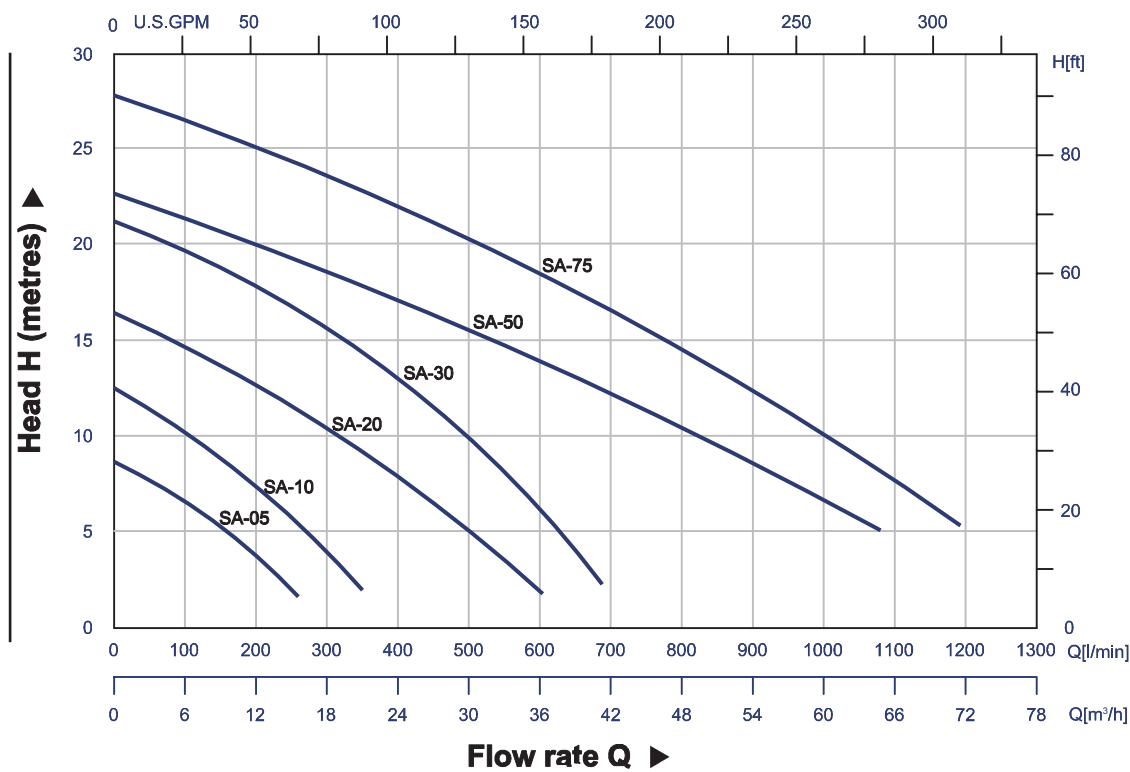
General Data/Material



Operating Conditions	Applications	Waste water for domestic and civil purposes
	Fluid Temperature	0 to 40 °C
Motor	Type	Dry Type
	Pole	2-pole
	Insulation	Class F
	Protection	IP68
Pump	Protection Device	Thermal Protector (single phase) Overload Protector (three phase)
	Impeller	Vortex Impeller
	Shaft Seal/Material	Double Mechanical Seal and one oil Seal
	Bearing	Double-shielded Ball Bearing

Component	Material
Cable	H07RN-F
Handle	Nylon SS 41
Motor Cover	Cast Iron GJL 200
Seal Housing	Cast Iron GJL 200
Bracket	Cast Iron GJL 200
Oil Chamber	Cast Iron GJL 200
Pump Casing	Cast Iron GJL 200
Impeller	Cast Iron GJL 200
Agitator	AISI 316
Mechanical seal: Upper	CA/CE
Lower	Sic/Sic
Oil Seal	NBR
Shaft	AISI 410
Motor Housing	AISI 304

Characteristic curves N=3450 rpm



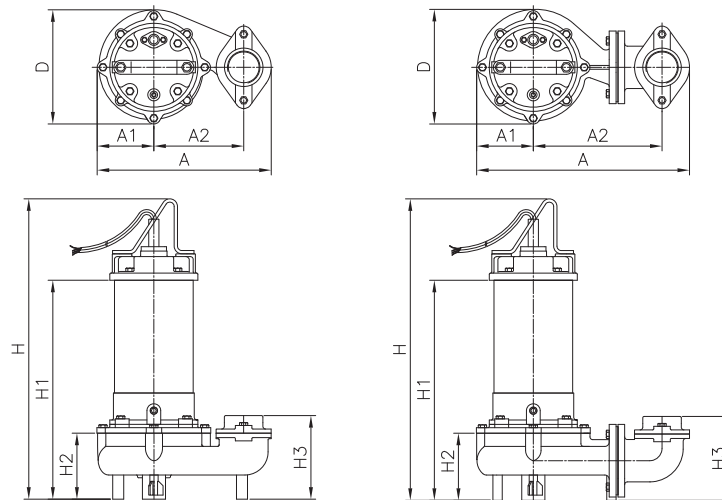
Specifications

Model	Power HP (kW)	Discharge inch	Phase	Standard		Max		Solid Passage mm	N.W. kg	Cable M
				Head M	Capacity LPM	Head M	Capacity LPM			
SA-05-50	1/2 (0.37)	2"	1 ϕ /3 ϕ	6	130	8	300	20	13.5	10
SA-10-50	1 (0.75)	2"	1 ϕ /3 ϕ	8	180	13	350	20	18.5	10
SA-20-50(80)	2 (1.5)	2"/3"	1 ϕ /3 ϕ	10	300	16	600	20	34	10
SA-30-50(80)	3 (2.2)	2"/3"	3 ϕ	11	400	21	700	20	35	10
SA-50-80(100)	5 (3.7)	3"/4"	3 ϕ	15	500	23	1100	35	57	10
SA-75-80(100)	7.5 (5.5)	3"/4"	3 ϕ	18	600	28	1200	35	63	10

SA-05-50: Threaded Flange Type
SA-10-50: Threaded Flange type or Elbow Type

SA-20-50(80)~SA-30-50(80): Elbow Type (2" or 3")
SA-50-80(100)~SA-75-80(100): Elbow Type (3" or 4")
Auto Float Switches are available in Single-phase

Dimensions and Weights



Model	Dimension (mm)							
	A	A1	A2	D	H	H1	H2	H3
SA-05-50	222	73	115	145	410	297	113	133
SA-10-50	222	73	115	149	464	340	113	133
SA-20-50(80)	387	103	234	208	548	400	122	153
SA-30-50(80)	387	103	234	208	568	420	122	153
SA-50-80(100)	459	110	256	227	638	471	160	220
SA-75-80(100)	459	110	256	227	678	511	160	220

Guide Rail System



Selection Table

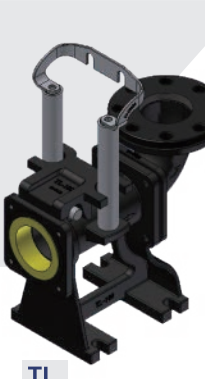
Model	Connections	Guide Rail Models				
		TS-50	TM-50(80)	TL-80(100)	STM-50(80)	STL-80(100)
		Materials				
		FC200	FC200	FC200	SUS316	SUS316
SD-03-50	elbow		▲			
SD-05-50	thread			NOT AVAILABLE		
SD-05-50	elbow		▲			
SD-10-50	thread			NOT AVAILABLE		
SD-10-50	elbow		●			
SD-20-5(80)	elbow		●			
SD-30-50(80)	elbow		●			
SD-50-80(100)	elbow			●		
SD-75-80(100)	elbow			●		
SV-3-50	thread/flange	●				
SV-05-50	thread/flange	●				
SV-05-50	elbow		▲			
SV-10-50	thread/flange	●				
SV-10-50	elbow		▲			
SV-20-50(80)	elbow		●			
SV-30-50(80)	elbow		●			
SV-50-80(100)	elbow			●		
SV-75-80(100)	elbow			●		
SVN-05-50	thread/flange			NOT AVAILABLE		
SVN-05-50	elbow				▲	
SVN-10-50	thread/flange			NOT AVAILABLE		
SVN-10-50	elbow				▲	
SVN-20-50(80)	elbow				●	
SVN-30-50(80)	elbow				●	
SVN-50-80(100)	elbow					●
SVN-75-80(100)	elbow					●
SC-05-50	thread/flange	●				
SC-05-50	elbow		▲			
SC-10-50	thread/flange	●				
SC-10-50	elbow		▲			
SC-20-50(80)	elbow		●			
SC-30-50(80)	elbow		●			
SC-50-80(100)	elbow			●		
SC-75-80(100)	elbow			●		
SA-05-50	thread/flange	●				
SA-05-50	elbow		▲			
SA-10-50	thread/flange	●				
SA-10-50	elbow		▲			
SA-20-50(80)	elbow		●			
SA-30-50(80)	elbow		●			
SA-50-80(100)	elbow			●		
SA-75-80(100)	elbow			●		



TS



TM



TL

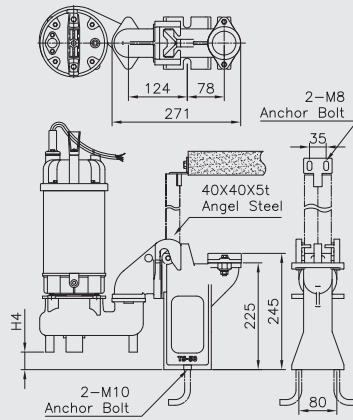
TS Model: Angle type, 2" Discharge

TM Model: Tube type, available 2" or 3" Discharge

TL Model: Tube type, available 3" or 4" Discharge

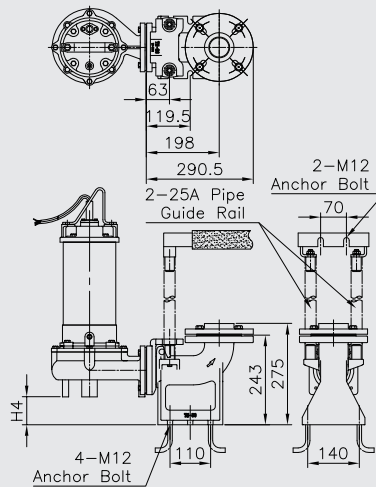
▲ PUMPS WITH NON-STANDARD CONNECTIONS. IF TM-Tube Type Guide Rail to be used. Consult STAIRS.

TS



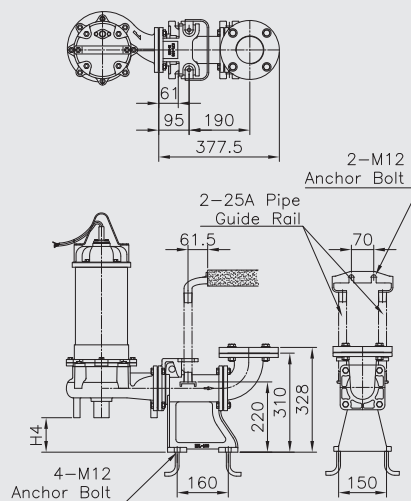
TS-50 Guide Rail			
Model	Output		Dimensions
	HP	kW	H4(mm)
SV-03-50	1/3	0.25	37
SV-05-50	1/2	0.37	37
SV-10-50	1	0.75	37
SA-05-50	1/2	0.37	37
SA-10-50	1	0.75	37
SC-05-50	1/2	0.37	75
SC-10-50	1	0.75	75
HM-05-50	1/2	0.37	65

TM



TM-50(80) Guide Rail			
Model	Output		Dimensions
	HP	kW	H4(mm)
SV-20-50/80	2	1.5	76
SV-30-50/80	3	2.2	76
SA-20-50/80	2	1.5	76
SA-30-50/80	3	2.2	76
SD-03-50	1/3	0.25	78
SD-05-50	1/2	0.37	78
SD-10-50	1	0.75	78
SD-20-50/80	2	1.5	65
SN-30-50/80	3	2.2	65
SC-20-50/80	2	1.5	60
SC-30-50/80	3	2.2	60
SVN-05-50	1/2	0.37	76
SVN-10-50	1	0.75	76
SVN-20-50/80	2	1.5	76
SVN-30-50/80	3	2.2	76

TL



TL-80(100) Guide Rail			
Model	Output		Dimensions
	HP	kW	H4(mm)
SV-50-80/100	5	3.7	110
SV-75-80/100	7.5	5.5	110
SA-50-80/100	5	3.7	110
SA-75-80/100	7.5	5.5	110
SD-50-80/100	5	3.7	113
SD-75-80/100	7.5	5.5	113
SC-50-80/100	5	3.7	108
SC-75-80/100	7.5	5.5	108
SVN-50-80/100	5	3.7	108
SVN-75-80/100	7.5	5.5	108



A series of horizontal dashed lines spanning the width of the page, intended for writing or drawing.



A series of horizontal dashed lines spanning the width of the page, providing a template for writing.



GOL PUMPS TECHNOLOGY INC

376520NW77th Ct MIAMI, FL 33166

Ph: +1 (786) 615 8984

Fax: +1 (786) 615 7043

www.golpumps.com

Info@golpumps.com