



G.P.T. CO
Gol Pumps Technology Company



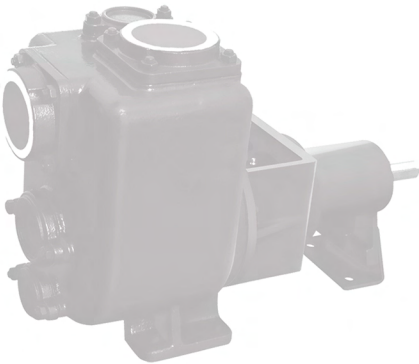
GOL PUMPS

CENTRIFUGAL PUMPS

General Catalogue

www.golpumps.com

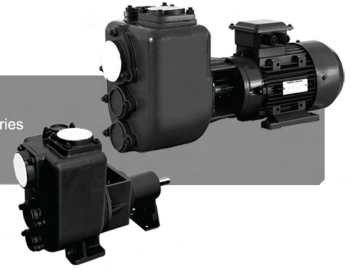
E-mail: info@golpumps.com



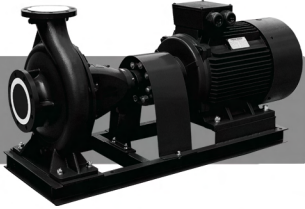
EA Series
PAG 1-3



EJ - EJZ Series
PAG 21-25



EAD Series
PAG 4-5



EH Series
PAG 26-29



EAZS Series
PAG 6-9



EG Series
PAG 10-14



ES - ESD Series
PAG 15-20

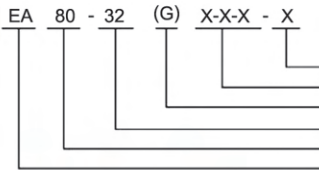




Description & Features

EA series end suction centrifugal pumps are designed complying to BS EN733 /DIN24255 standard. This series of pumps have great advantages in interchangeable parts, high quality and low cost, wide applications in plants, mines, city water supplies, fire-fighting systems, air-condition systems and irrigation.

Model Instruction



Seal Type
Casing - Impeller - Shaft Material
Special Bearing Frame
Impeller Nominal Diameter
Discharge Size
Series

Material Code

C: Cast Iron
Q: Ductile Iron
B: Brass
S: ASTM 420
45: ASTM 1045
S304: ASTM 304
S316: ASTM 316

* Bearing Frame Code
H: Bearing frame for double-row bearing
G: Bigger shaft and bearing frame
Default: Standard
* Seal Type
M: Mechanical Seal
P: Gland Packin

Applications

EA Series Explode View & List of Parts

- Water supply and drainage
- HVAC and Cooling Tower
- Marine - Ballasting & Bilge
- Booster and Pressurization Set
- Irrigation and agriculture
- Water supply and drainage
- Food and chemical industry
(with stainless steel material)

Design & Structure

Design	Performance and dimensions referring to the European standard BS EN733 / DIN24255
Structure	Horizontal, Axial End-Suction, Single-Stage, Single-Suction, Volute Casing, Back pull-out
DN (mm)	300~32
Flange	DIN2501 PN16 GB/ T17241.6 PN1.6

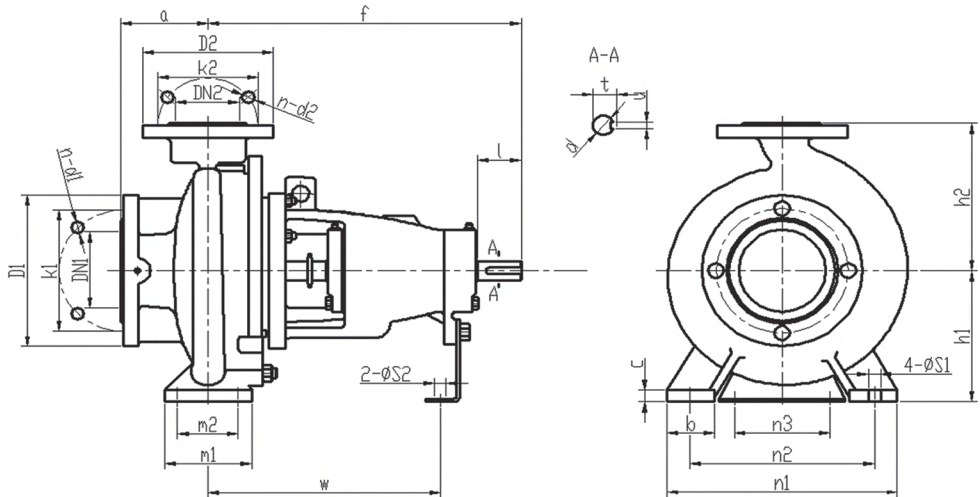
Material

Part	Standard Material	Options on request
Casing	Cast Iron	Ductile Iron / ASTM304 / ASTM316
Impeller	Brass	Cast Iron/ ASTM304 / ASTM316
Shaft	ASTM420	ASTM304 / ASTM316 / ASTM1045
Shaft Seal	Mechanical Seal	Gland Packin

Operating Data

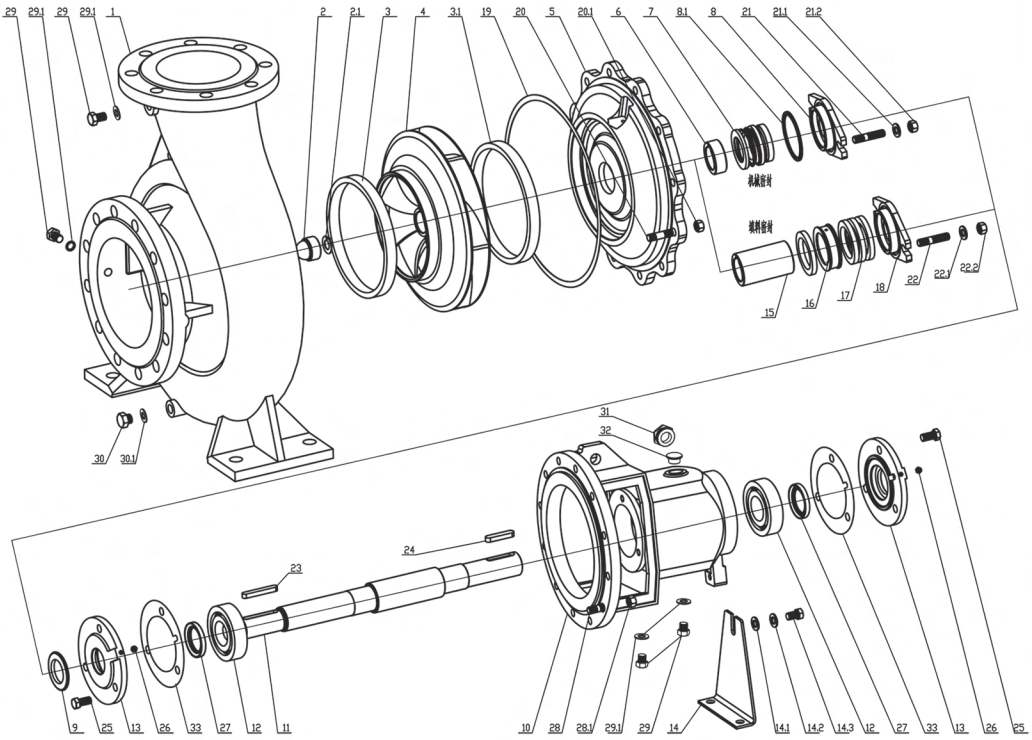
Flow Rate (Q)	4~1584 m ³ /h
Head (H)	2~150 m
Speed	1450 or 2900 rpm (50Hz) / 1750 or 3500 rpm (60Hz)
Max Temperature	°85C(standard) ; °105C(on request)
Working Pressure	1.0 MPa standard; 1.6 MPa on request
Conveying Medium	Clean water or liquids similar to clean water in physical property

EA Series Installation Dimension list



Flange standard : ISO7005.2 DIN2501 PN16 GB/T17241.6 PN1.6													
DN1/DN2	32	40	50	65	80	100	125	150	200	250	300	350	400
D1/D2	140	150	165	185	200	220	250	285	340	405	460	520	580
K1/K2	100	110	125	145	160	180	210	240	295	355	410	470	525
n-d1/ n-d2	4-φ18	4-φ18	4-φ18	4-φ18	8-φ18	8-φ18	8-φ18	8-φ22	12-φ22	12-φ26	12-φ26	16-φ26	16-φ30

EA Series Exploded View & List of Parts



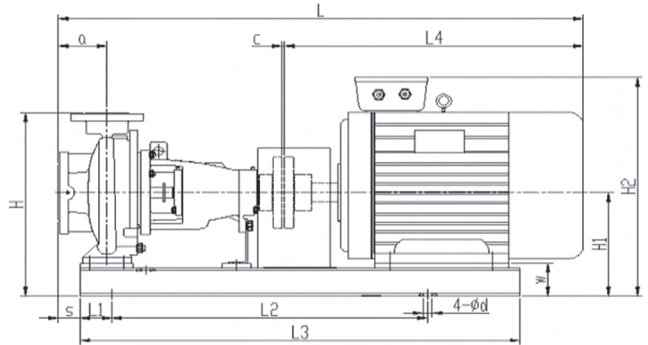
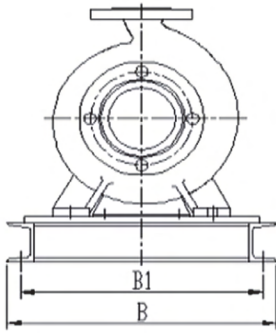
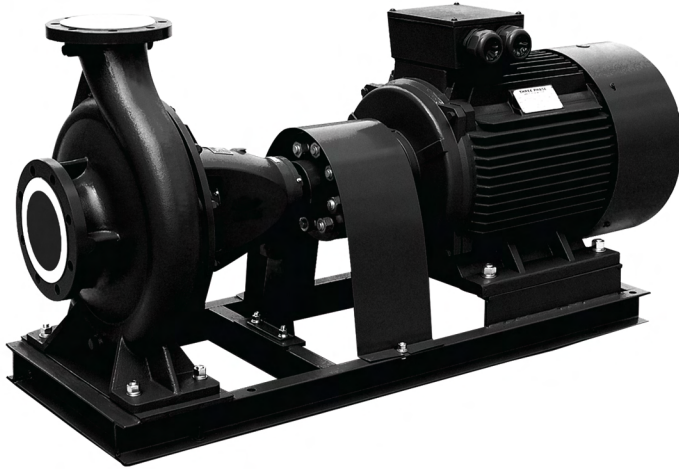
Code	Part Name
1	Casing
2	Impeller Nut
2.1	Lock Washer
3	Wear Ring (Front)
3.1	Wear Ring (Back)
4	Impeller
5	Casing Cover
6	Shaft Spacer
7	Mech. Seal
8	Seal Cover
8.0	O-ring
9	Rubber Slinger
10	Bearing Frame

Code	Part Name
11	Shaft
12	Bearing
13	Bearing Cover
14	Support Foot
14.1	Flat Washer
15	Packing Sleeve
16	Packing Seal Cage
	Throat Bushing
17	Gland Packing
18	Gland Cover
19	casing Gasket
20	Stud Bolt
21	Stud Bolt

Code	Part Name
22	Stud Bolt
23	Key
24	Key
25	Screw Bolt
26	Oil Cup
27	Felting
	Oil Seal
28	Stud Bolt
29	Plug
30	Plug
31	Oil Scale
32	Oil Cover
33	Throat Bushing Gasket

EAD
series

EAD Series Installation Dimensions

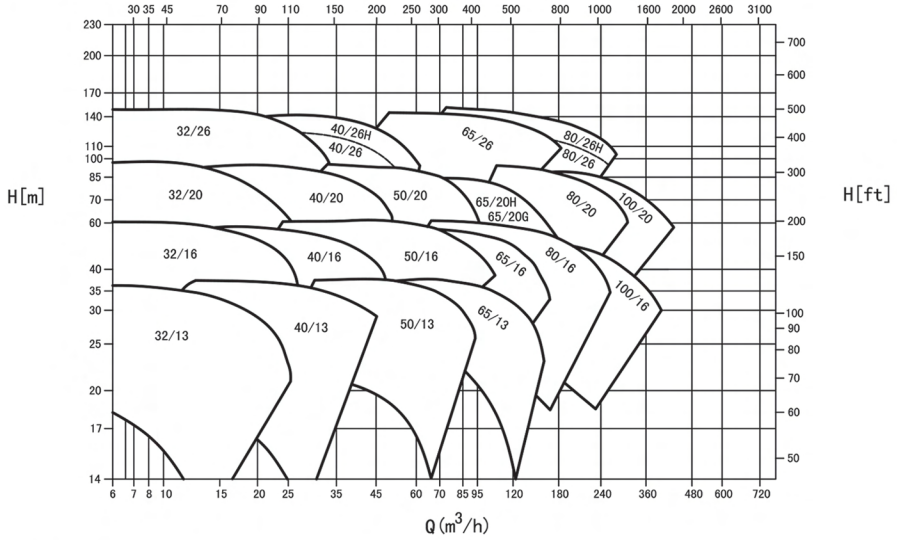


Flange standard : ISO7005.2 DIN2501 PN16 GB/T17241.6 PN1.6													
DN1/DN2	32	40	50	65	80	100	125	150	200	250	300	350	400
D1/D2	140	150	165	185	200	220	250	285	340	405	460	520	580
K1/K2	100	110	125	145	160	180	210	240	295	355	410	470	525
n-d1/ n-d2	4-φ18	4-φ18	4-φ18	4-φ18	8-φ18	8-φ18	8-φ18	8-φ22	12-φ22	12-φ26	12-φ26	16-φ26	16-φ30

EA Series Performance 60Hz

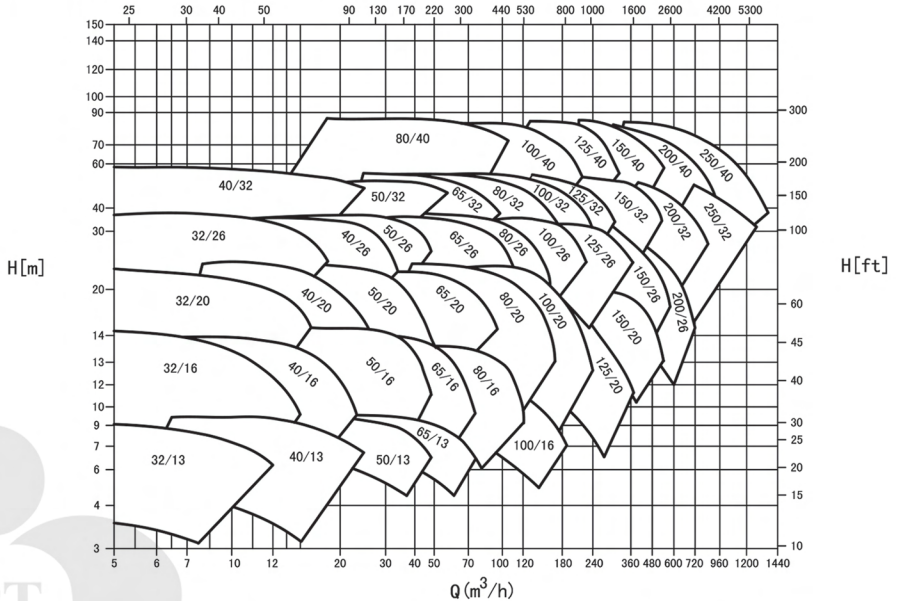
3500rpm

Q (US. G. P. M)



1750rpm

Q (US. G. P. M)



GPT
CO

EAZS

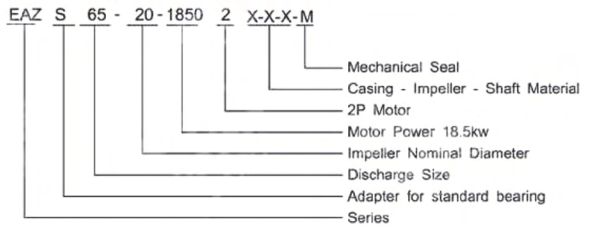
series

Description & Features

EAZS series are close – coupled type of EA series. No need to use couplings and motor shaft is plunged into pump shaft to ensure concentricity and shorten the axial length. Highly interchangeable parts. Space saving , various application in plants, mines, city water supplies fire-fighting systems, air-condition systems and mitigation.



Model Instruction



Material code

C: cast iron
 Q: ductile iron
 B: brass
 S: ASTM 420
 45: ASTM 1045
 Design & structure

s304: ASTM 304s
 s 316: ASTM 316

m: mechanical seal

Application:

- Water supply and drainage
- Hvac and cooling tower
- Marine-ballasting & bilge
- Booster and pressurization set
- Irrigation and agriculture
- Water supply and drainage
- Food and chemical industry (with stainless steel material)



Design & Structure

Design	Performance and dimensions referring to the European standard BS EN733/DIN24255	
structure	Close-Coupled, Axial end- suction, Single-stage, single – suction, volute- casing	
D n (mm)	32-150	
flange	Din2501 pn16 GB-T17241.6 PN 1.6	
Motor	IEC standard motor	

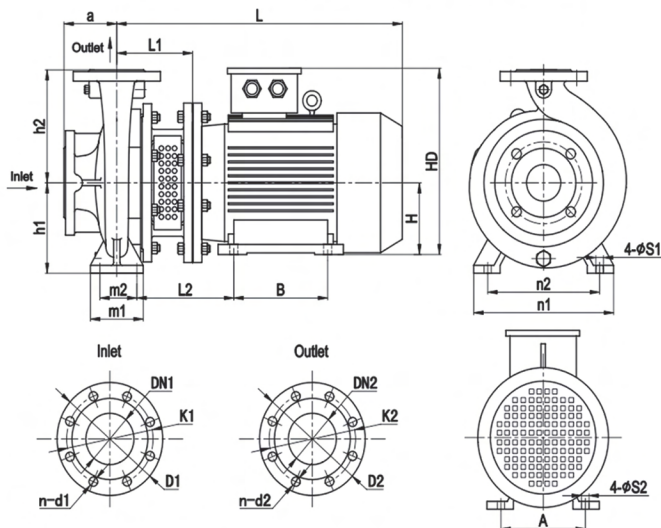
Material Code

Part	Standard material	Options on request
Casing	Cast iron	Ductile iron / As tm 304/ Astm316
impeller	brass	Cast iron/ As tm 304/ Astm316
shaft	As tm 420	As tm 304/ As tm 316/ As tm 1045
Shaft seal	Mechanical seal	

Operating Data

Flow rate (Q)	500-40 m/h
Head (H)	150-8 m
Speed	1450 or 2900 rpm (50Hz) 1750 or 3500 rpm(60Hz)
Max temperature	85 °c (standard)
Working pressure	1.0 M pa (standard); 1.6 M pa on request
Conveying medium	Clean water or liquids similar to clean water in physical property

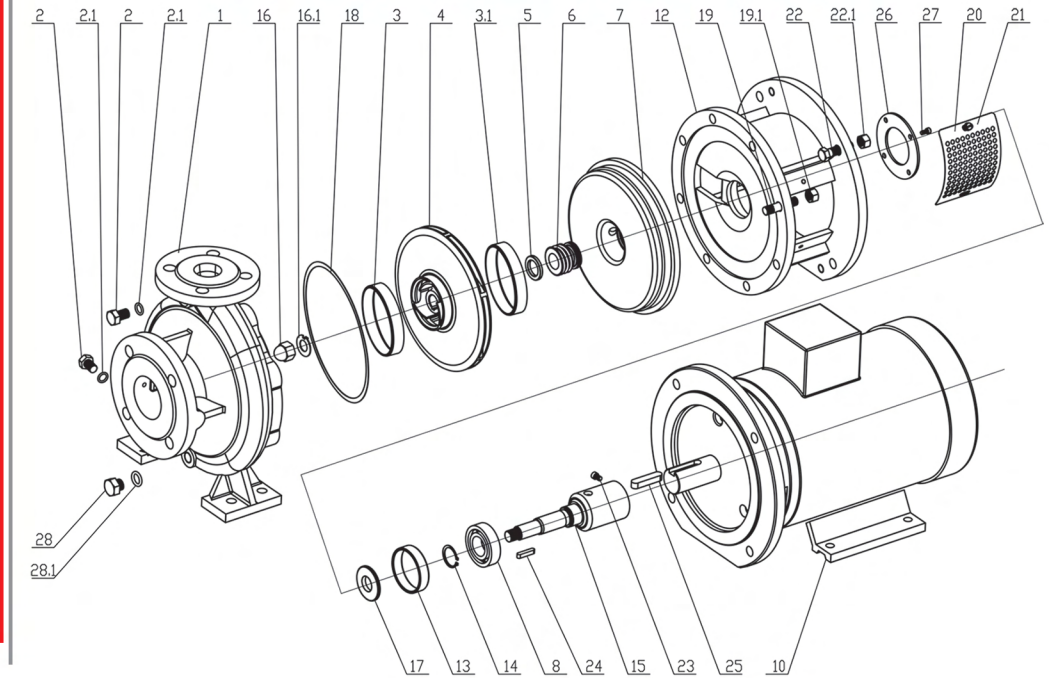
EAZS Installation Dimensions (50HZ) (60HZ)



Flange Dimensions (ISO7005.2 DIN2501 PN16 GB/T17241.6 PN1.6)

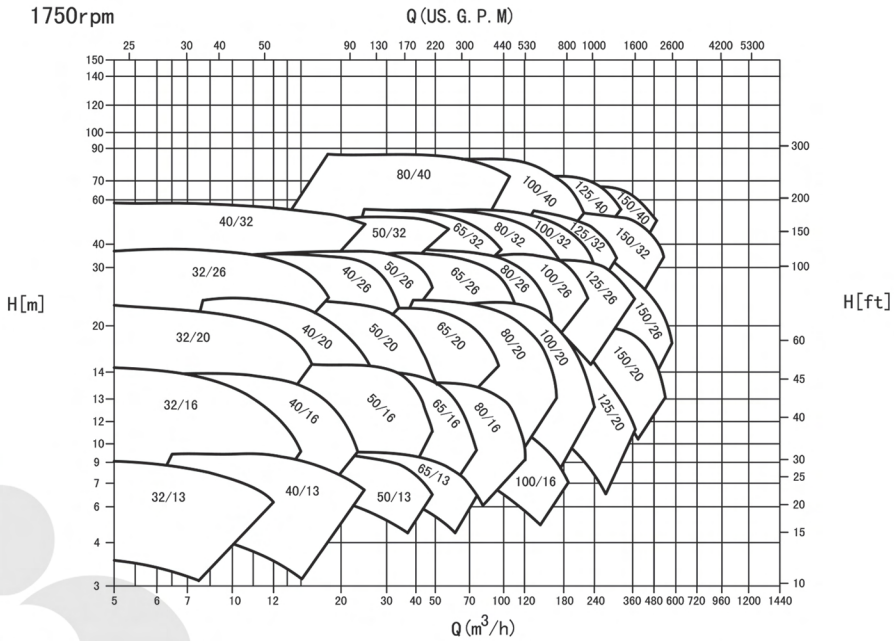
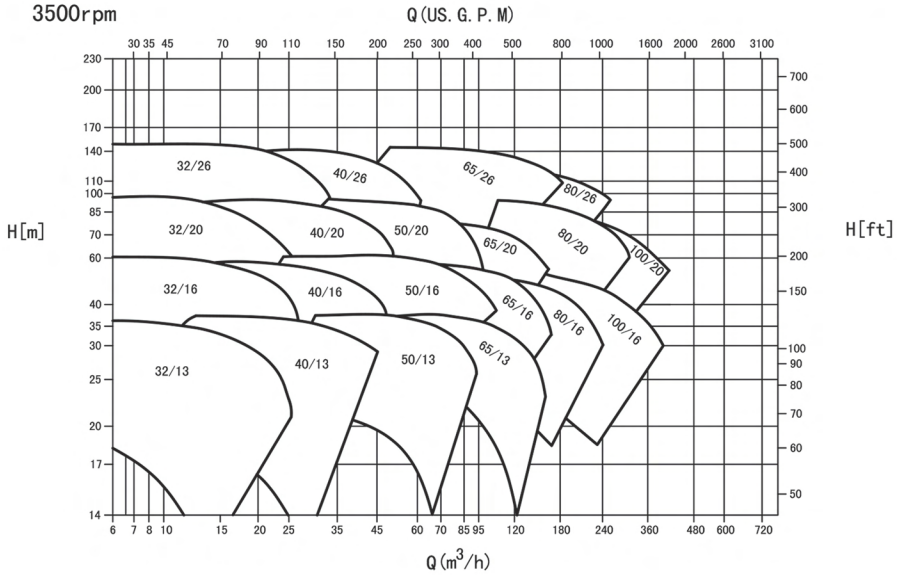
DN1/DN2	32	40	50	65	80	100	125	150	200
D1/D2	140	150	165	185	200	220	250	285	340
K1/K2	100	110	125	145	160	180	210	240	295
n-d1/n-d2	4- ϕ 18	4- ϕ 18	4- ϕ 18	4- ϕ 18	8- ϕ 18	8- ϕ 18	8- ϕ 18	8- ϕ 22	12- ϕ 22

EAZS Series Exploded View & List of Parts



Code	Part Name	Code	Part Name
1	Casing	16	Impeller Nut
2	Plug & Washer	16.1	Loch Washer
3	Wear Ring (Front)	17	Rubber Slinger
3.1	Wear Ring (Back)	18	Casing Gasket
4	Impeller	19	Screw Bolt
5	Seal Seat	20	Guard
6	Mech. Seal	21	Screw
7	Casing Cover	22	Screw Bolt & Nut
8	Bearing	23	Screw
10	B35 Motor	24	Key
12	Adapter	25	Key
13	Rubber Check	26	Bearing Cover
14	External Circlips	27	Screw
15	Shaft	28	Plug & Washer

EAZS Series Performance 60Hz



CPT
CO

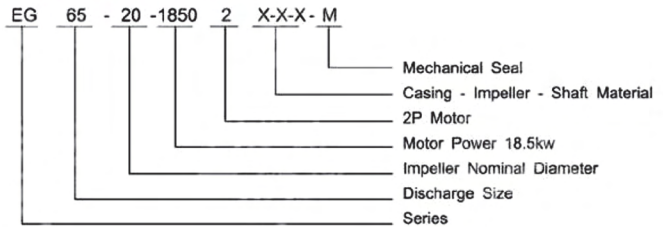
EG
series



Description & Features

EG series are vertical in-line pumps. The biggest feature is vertical structure which sharply reduces installation space. Motor shaft is plunged into pump shaft to ensure alignment of pump and motor. This series pump adopts IEC standard motor and pump head can be assembled separately

Model Instruction



Material code

C: cast iron

Q: ductile iron

B: brass

S: ASTM 420

45: ASTM 1045

304: ASTM 304s

316: ASTM 316

m: mechanical seal

Application:

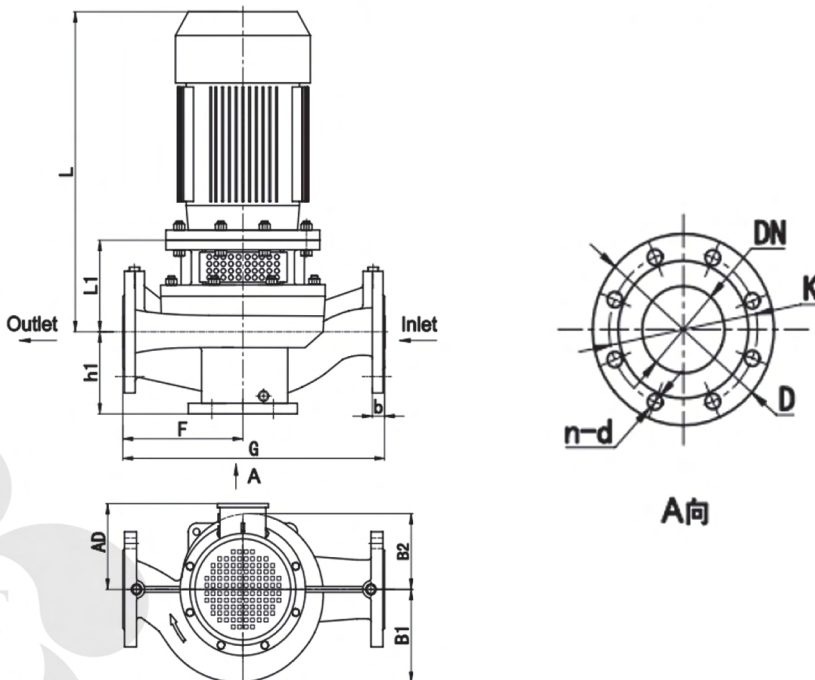
- Cold and hot water circulation pump
- Municipal water supply
- Hvac and cooling tower
- Booster pump
- Pool and fountain water transfer

Design	Performance referring to BS EN 733/DIN24255 standard
structure	Vertical, Single-stage, single – suction, volute, casing, in-line, close-coupled
D n(mm)	40-200
flange	Din2501 pn16 GB-T17241.6 PN 1.6
Motor	IEC standard motor

Part	Standard material	Options on request
Casing	Cast iron	Ductile iron
impeller	brass	Cast iron/ As tm 304/ Astm316
shaft	As tm 420	As tm 304/ Astm316/ As tm 1045
Shaft seal	Mechanical seal	

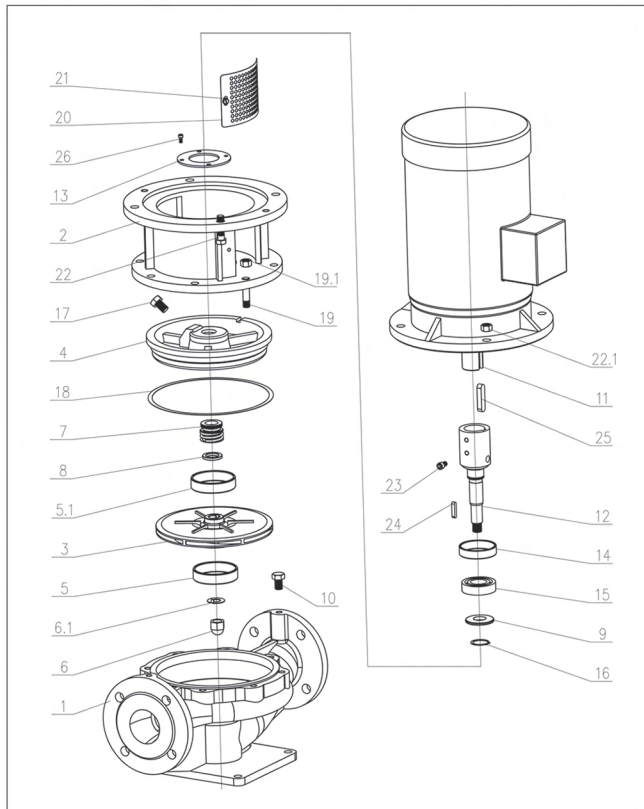
Flow rate (Q)	40-500 m/h
Head (H)	8-150 m
Speed	1450 or 2900 rpm (50Hz) 1750 or 3500 rpm(60Hz)
Max temperature	85 °c (standard)
Working pressure	1.0 M pa (standard): 1.6 M pa on request
Conveying medium	Clean water or liquids similar to clean water in physical property

EG Series Installation Dimensions (50HZ) (60HZ)



GPT
CO

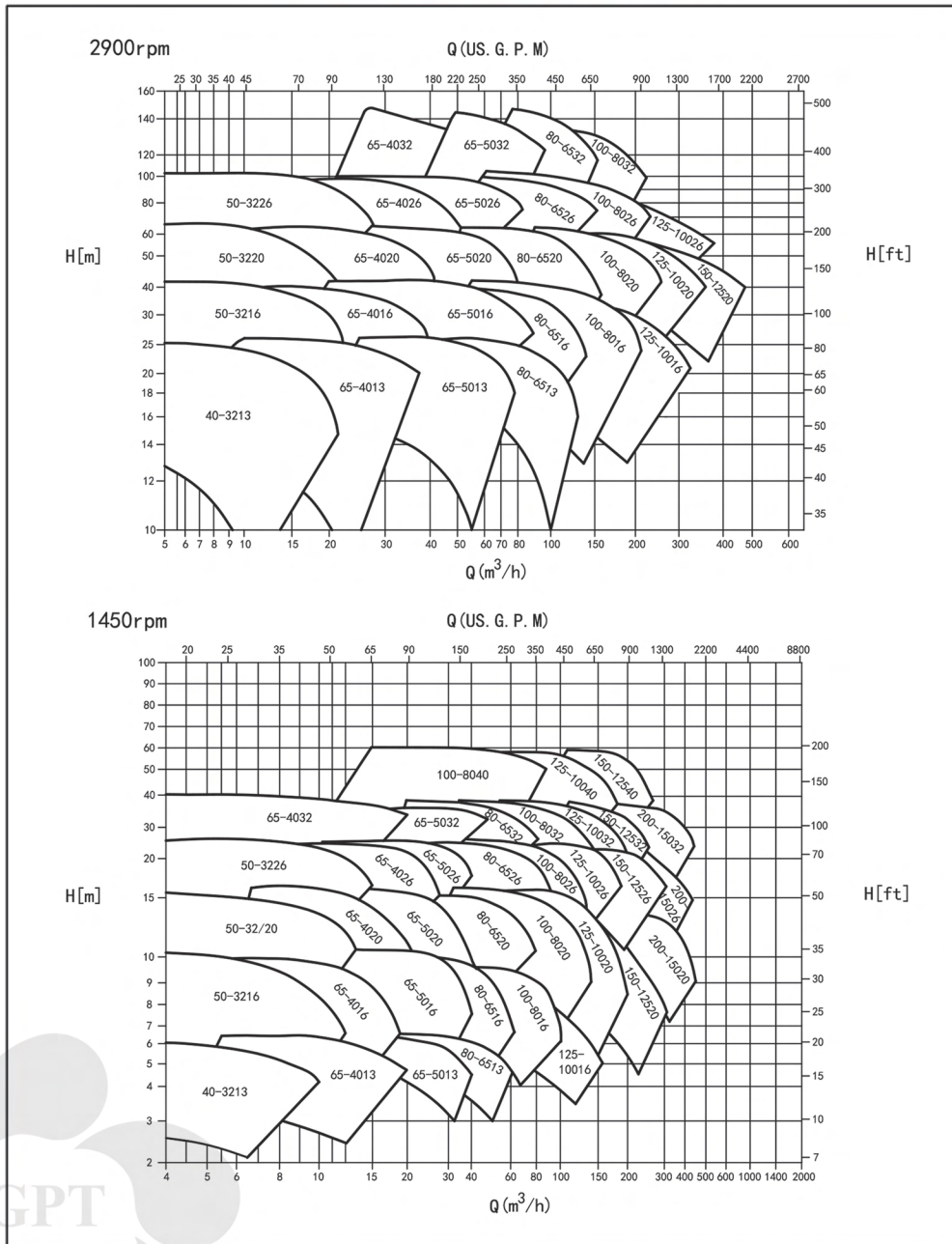
EG Series Exploded View & List of Parts



Code	Part Name
1	Casing
2	Adapter
3	Impeller
4	Casing Cover
5	Wear Ring (Front)
5.1	Wear Ring (Back)
6	Impeller Nut
6.1	Lock Washer
7	Mech. Seal
8	Seal Seat
9	Rubber Slinger
10	Plug
11	V1 Motor
12	Shaft
13	Bearing Cover

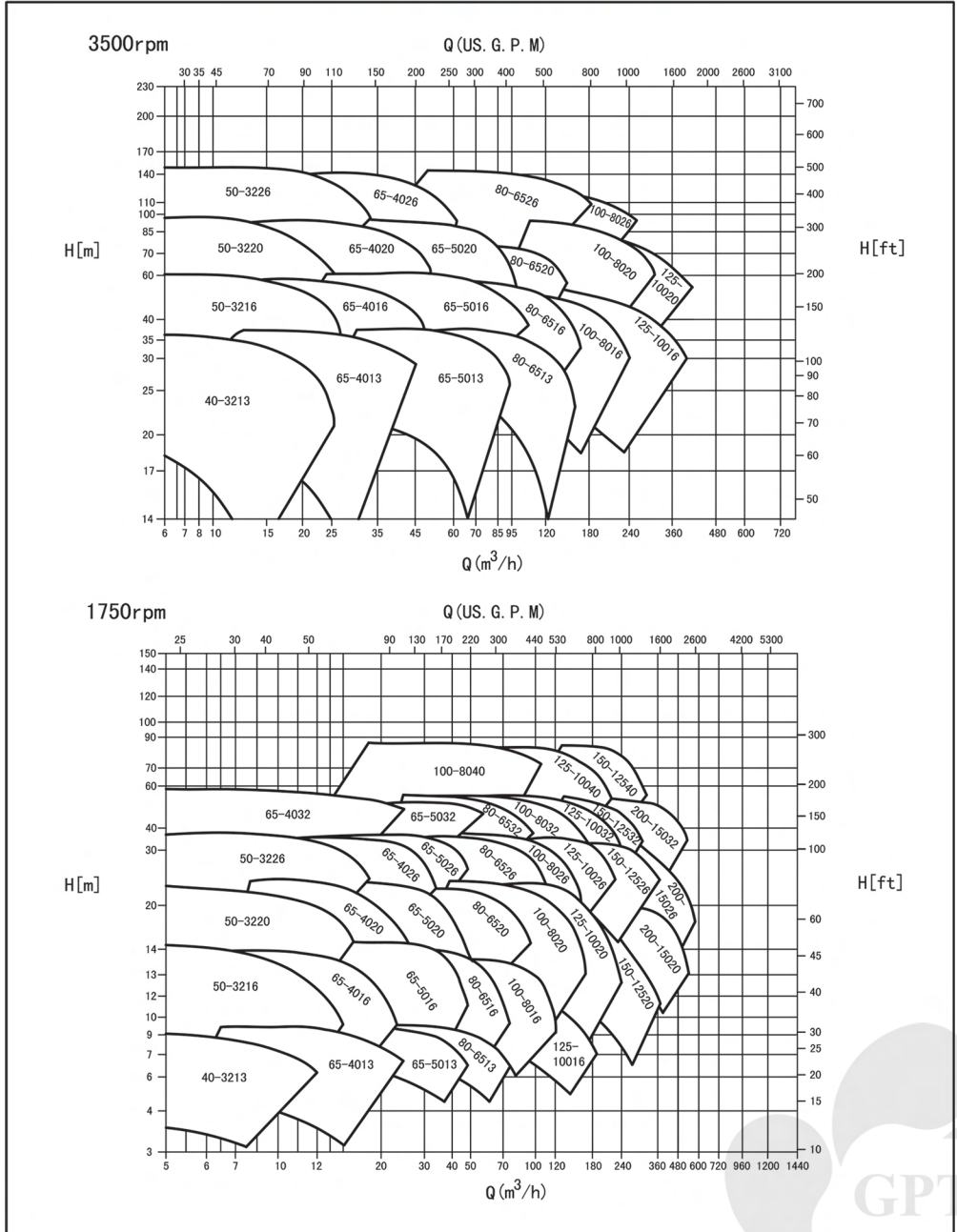
Code	Part Name
14	Rubber Check
15	Bearing
16	External circlips
17	Plug
18	Casing Gasket
19	Screw Bolt
19.1	Screw Nut
20	Guard
21	Screw
22	Screw Bolt
22.1	Screw Bolt
23	Screw
24	Key
25	Key
26	Screw

EG Series Performance 50Hz



GPT
CO

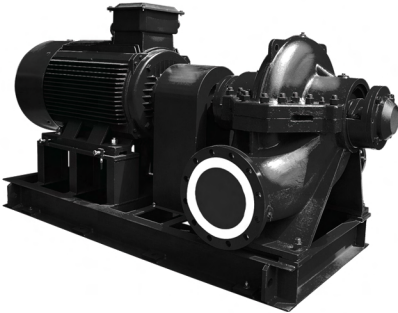
EG Series Performance 60Hz



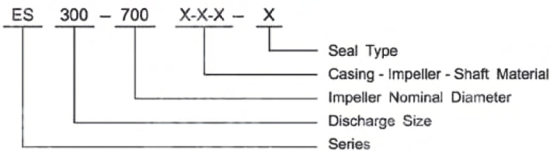
ES
series

Description & Features

ES series split casing pumps are designed with double suction. This kind of pumps are of high flow efficiency, low noise and long service life, easy to install and maintain. Widely used in plant, mine, city water supply, irrigation HVAC and vessel industry.



Model Instruction:



Material code

C: cast iron	s304: ASTM 304
Q: ductile iron	s316: ASTM 316
B: brass	seal type:
S: ASTM 420	m: mechanical seal
45: ASTM 1045	p: gland packing

Application:

- HVAC and cooling tower
- Municipal water supply
- Pump station
- Marine and ship building
- Power plant /water plant
- Industrial water supply system

GPT
CO

Design & structure

Design	Performance referring to GB/T5657.95 Q/FZEF 2014-001 standard
Structure	Single-stage, double-suction, split-casing
DN (mm)	801-400
Flange	Din2501 pn16 GB-T17241.6 PN 1.6

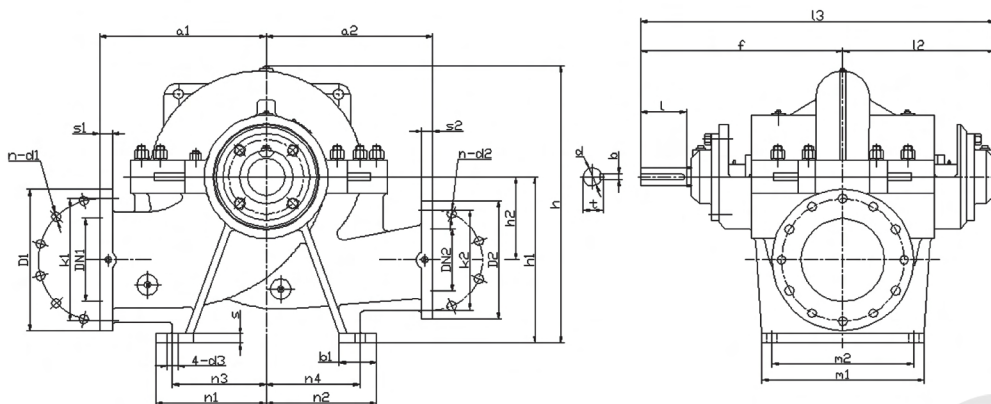
Material

Part	Standard material	Options on request
Casing	Cast iron	Ductile iron
impeller	brass	Cast iron
shaft	A s tm 1045	A s tm 304/ Astm316/ A s tm 420
Shaft seal	Mechanical seal	Gland packing

Operating data

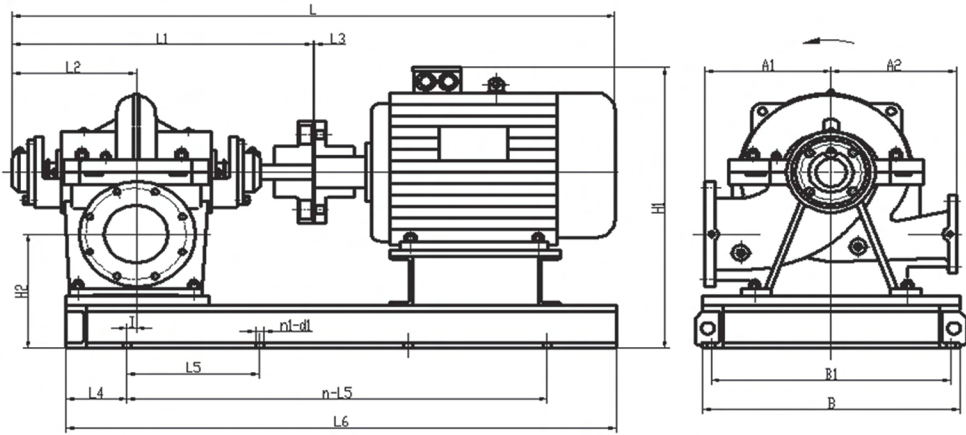
Flow rate (Q)	36-3400 m/h
Head (H)	8-190 m
Speed	1480 or 2980 rpm (50Hz) 1780 or 3580 rpm(60Hz)
Max temperature	85 °c (standard): ☒ 105°c (on request)
Working pressure	1.6 m pa (standard): 2.5mpa (on request)
Conveying medium	Clean water or liquids similar to clean water in physical property

ES Series Installation Dimensions



Flange Dimensions (ISO7005.2 DIN2501 PN16 GB/T17241.6PN1.6)												
DN1/DN2	80	100	125	150	200	250	300	350	400	450	500	600
K1/K2	160	180	210	240	295	355	410	470	525	585	650	770
D1/D2	200	220	250	285	340	405	460	520	580	640	715	840
S1/S2	22	24	26	26	30	32	34	38	40	40	46	54
n-d1/n-d2	8-φ17.5	8-φ17.5	8-φ17.5	8-φ22	12-φ22	12-φ26	12-φ26	16-φ26	16-φ30	20-φ30	20-φ33	20-φ36

ESD Installation Dimensions(50HZ) (60HZ)

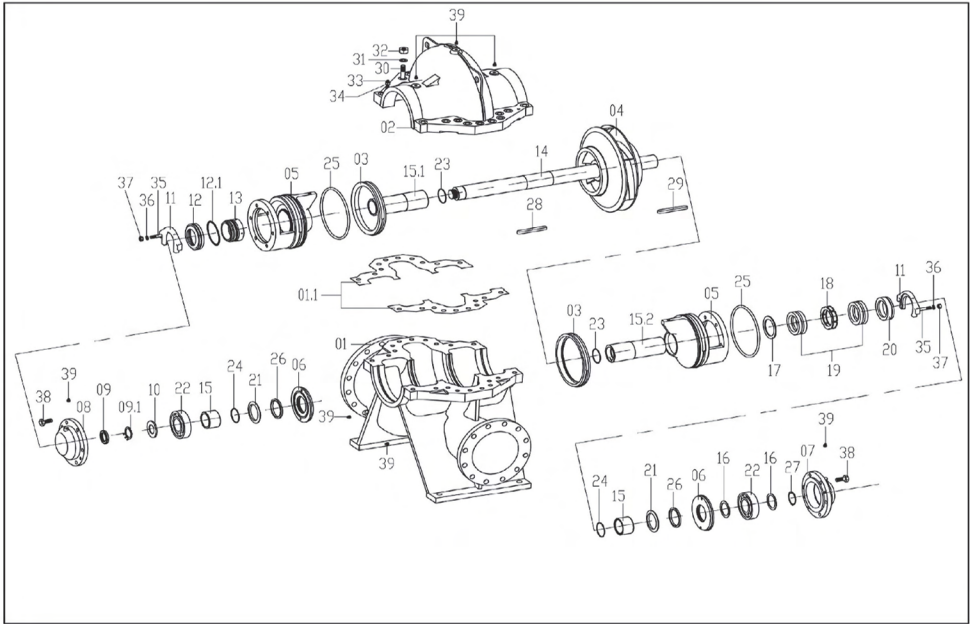


NOTICE: Since a huge variety of these pumps are available, to reduce paper consumption and preserve the environment, G.P.T.CO. Has decided to put all the technical details and dimensions in our website.

For more information about these products please visit:

<https://golpumps.us/index.php/en/products/centrifugal-industrial-pumps>

ES Series Exploded View & List of Parts

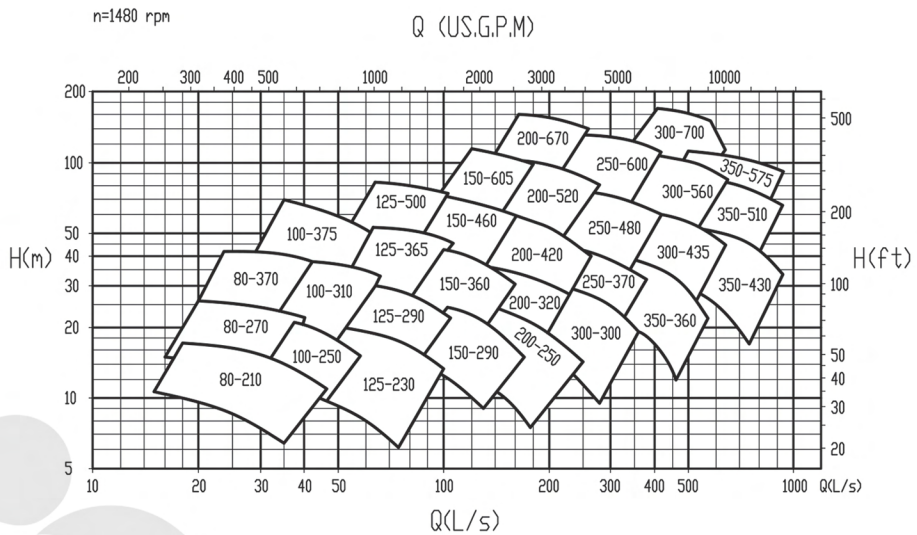
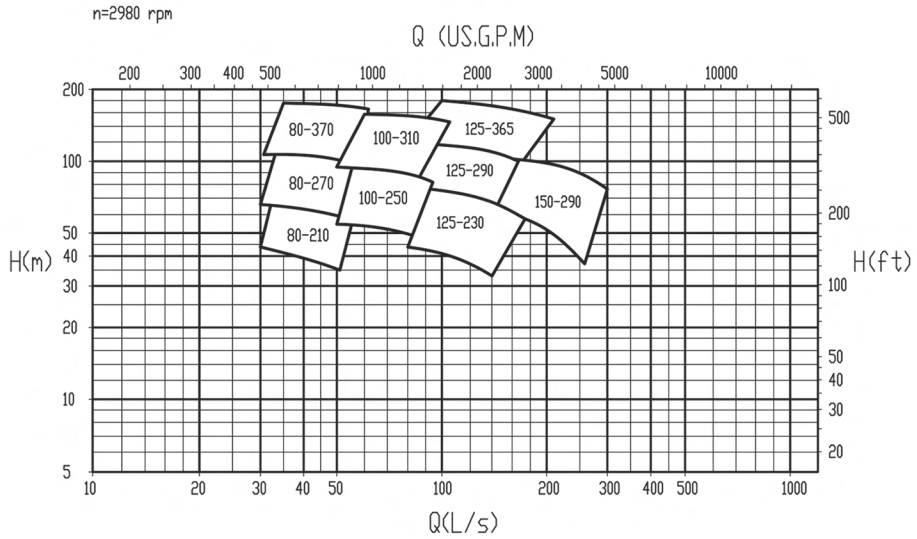


Code	Part Name
01	Casing-Bottom
01.1	Casing Gasket
02	Casing Top
03	Wear Ring
04	Impeller
05	Seal Frame
06	Bearing Cover
07	Bearing Frame – Driving End
08	Bearing Frame – Non Driving End
09	Screw Nut
09.1	Lock Washer for Nut
10	Bearing Slinger
11	Seal Plate
12	Seal Cover
12.1	Seal Cover Gasket

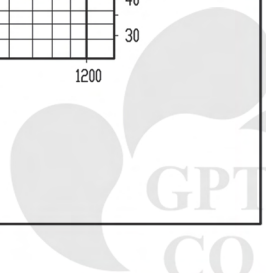
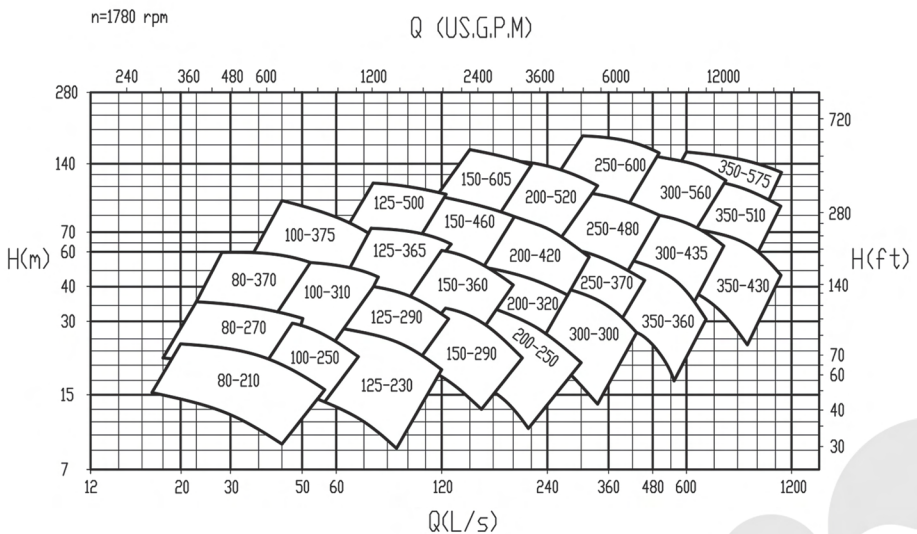
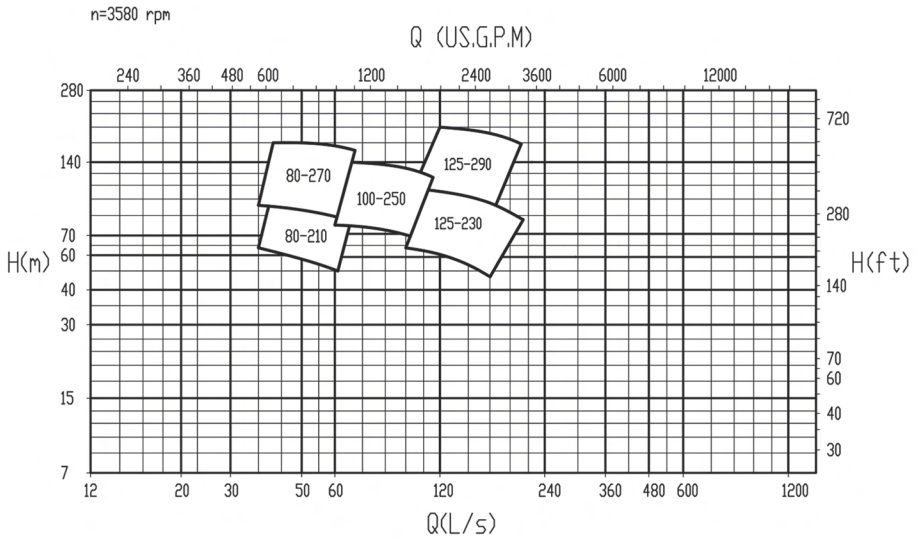
Code	Part Name
13	Mech. Seal
14	Shaft
15	Shaft Sleeve - Short
15.1	Shaft Sleeve
15.2	Packing Shaft Sleeve
16	Bearing Seal Plate
17	Packing Seal Plate
18	Lantern Ring
19	Gland
20	Packing Cover
21	Slinger
22	Ball Bearing
23	O-ring
24	O-ring
25	O-ring

Code	Part Name
26	Felting
27	External Circlips
28	Key
29	Key
30	Screw Bolt
31	Spring Washer
32	Screw Nut
33	Pin
34	Screw Nut
35	Screw Bolt
36	Flat Gasket
37	Screw Nut
38	Screw Bolt
39	Plug

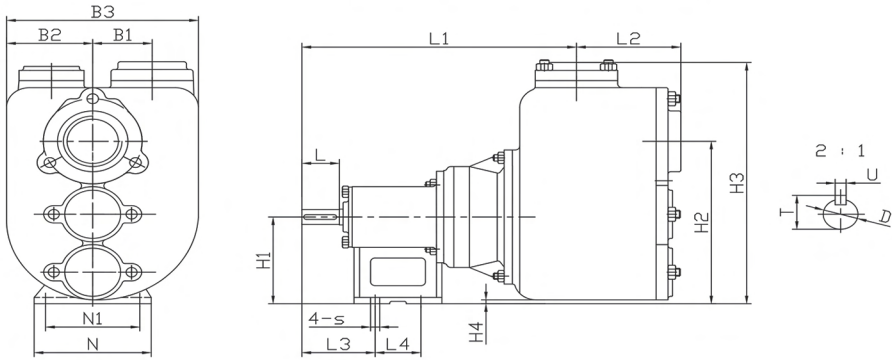
ES Series Performance 50 Hz



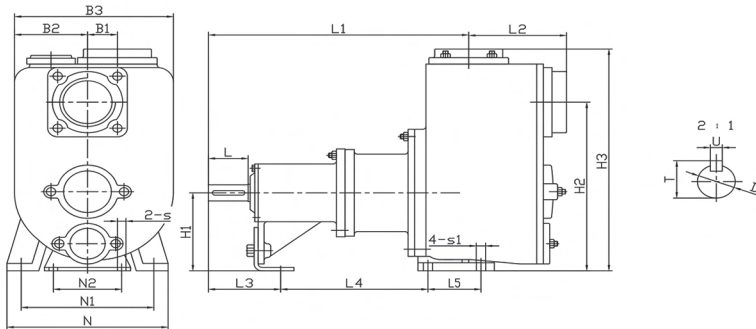
ES Series Performance 60-Hz



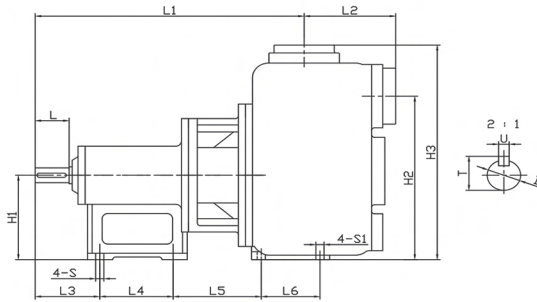
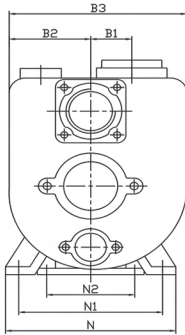
EJ Series Installation Dimensions



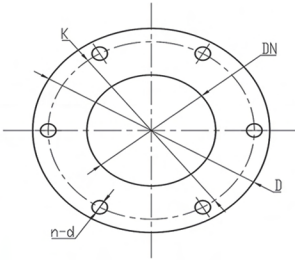
Model	Overall Dimensions					Installation Dimensions										Shaft			Weight kg
	B1	B2	B3	L1	L2	H1	H2	H3	H4	L	N1	N	L3	L4	s	T	U	D	
EJ40-110	30	80	173	263	75	90	163	240	-5	40	80	102	70	50	Φ10	21.5	6	Φ19	19
EJ50-120	36	94	210	300	114	110	206	306	5	41	103	128	80	50	Φ12	21.5	6	Φ19	31
EJ100-160	37	150	300	442	180	160	341	462	10	60	150	182	110	125	Φ14	31	8	Φ28	130



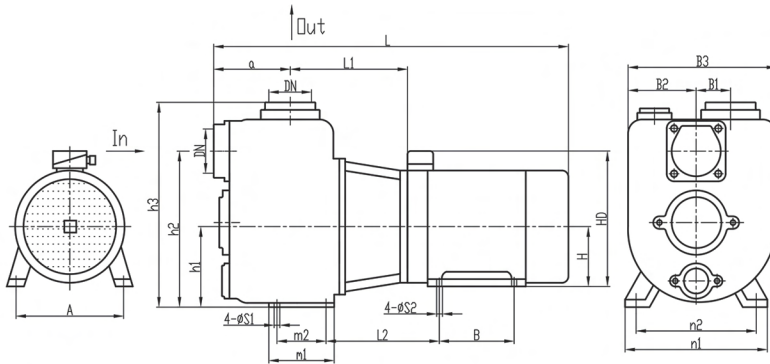
Model	Overall Dimensions					Installation Dimensions										Shaft			Weight kg		
	B1	B2	B3	L1	L2	H1	H2	H3	N2	N1	N	L	L3	L4	L5	s1	s	T		U	D
EJ80-140	45	110	240	392	148	132	289	381	90	200	245	60	109	222	80	Φ14	Φ14	31	8	Φ28	55
EJ100-250	160	180	420	469	275	200	350	487	110	295	340	80	138	347	95	Φ14	Φ15	35	10	Φ32	148
EJ150-250	90	220	480	566	292	250	454	590	110	350	410	80	138	322	170	Φ18	Φ15	35	10	Φ32	261
EJ150-400	280	280	700	700	365	350	645	795	150	450	510	110	180	478	200	Φ18	Φ18	59	16	Φ55	445
EJ200-300	75	288	575	822	232	315	535	720	150	450	510	110	165	499	200	Φ18	Φ18	45	12	Φ42	395



	Overall Dimensions					Installation Dimensions											Shaft				Weight kg	
	B1	B2	B3	L1	L2	H1	H2	H3	N2	N1	N	L	L3	L4	L5	L6	s1	s	T	U		D
EJ80-215	70	139	303	458	155	160	310	410	150	245	290	60	110	125	150	100	Φ14	Φ14	31	8	Φ28	75

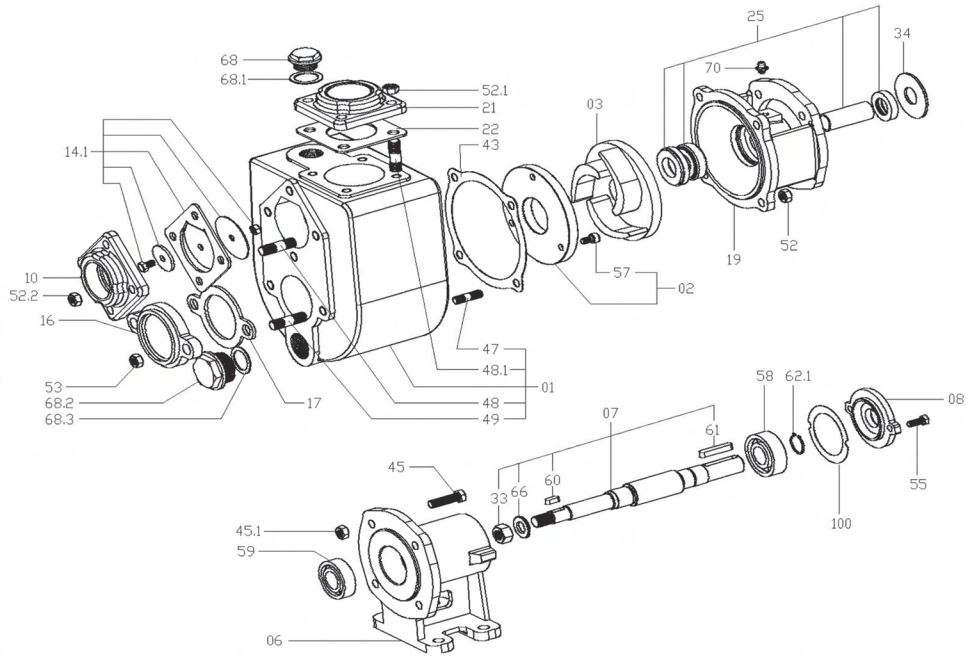


Model	Suction Flange(mm)				Discharge Flange(mm)			
	DN	D	K	n-d	DN	D	K	n-d
EJ40-110	RP1 1/2	--	--	--	RP1 1/2	--	--	--
EJ50-120	RP2	--	--	--	RP2	--	--	--
EJ80-140	RP3	--	--	--	RP3	--	--	--
EJ80-215	RP3	--	--	--	RP3	--	--	--
EJ100-160	RP4	--	--	--	RP4	--	--	--
EJ100-250	RP4	--	--	--	RP4	--	--	--
EJ150-250	Φ150	Φ276	Φ240	6-Φ18	Φ150	Φ276	Φ240	6-Φ18
EJ150-400	Φ150	Φ276	Φ240	6-Φ18	Φ150	Φ276	Φ240	6-Φ18
EJ200-300	Φ200	Φ320	Φ280	8-Φ18	Φ200	Φ320	Φ280	8-Φ18



Model	(B34)	(mm)																	(kg)							
		DN	B1	B2	B3	h1	h2	h3	m1	m2	n1	n2	a	L1	s1	s2	H	HD	A	B	L2	L	Pump	Motor	Total	
1	EJZ40-110-02202	MS90L-2	2.2	1 1/2"	30	80	173	95	168	245	-	-	-	75	165	-	10	90	235	140	125	-	535	18	25	43
2	EJZ40-110-03002	MS100L-2	3																							
3	EJZ50-120-01002	MS112M-2	4	2"	36	94	210	105	201	321	-	-	-	114	195	-	12	112	284	190	140	-	645	28	42	70
4	EJZ50-120-05502	MS132S1-2	5.5																							
5	EJZ80-140-11002	MS160M1-2	11	3"	45	110	240	132	287	380	115	80	245	200	148	255.5	15	160	406	254	210	302	908	53	106	159
6	EJZ80-215-07504	MS132M-4	7.5																							
7	EJZ100-250-15004	MS160L-4	15	4"	160	180	420	200	350	487	145	95	340	295	275	262	15	160	406	254	254	385.5	1098	140	128	286

EJ Series Exploded View & List of Parts

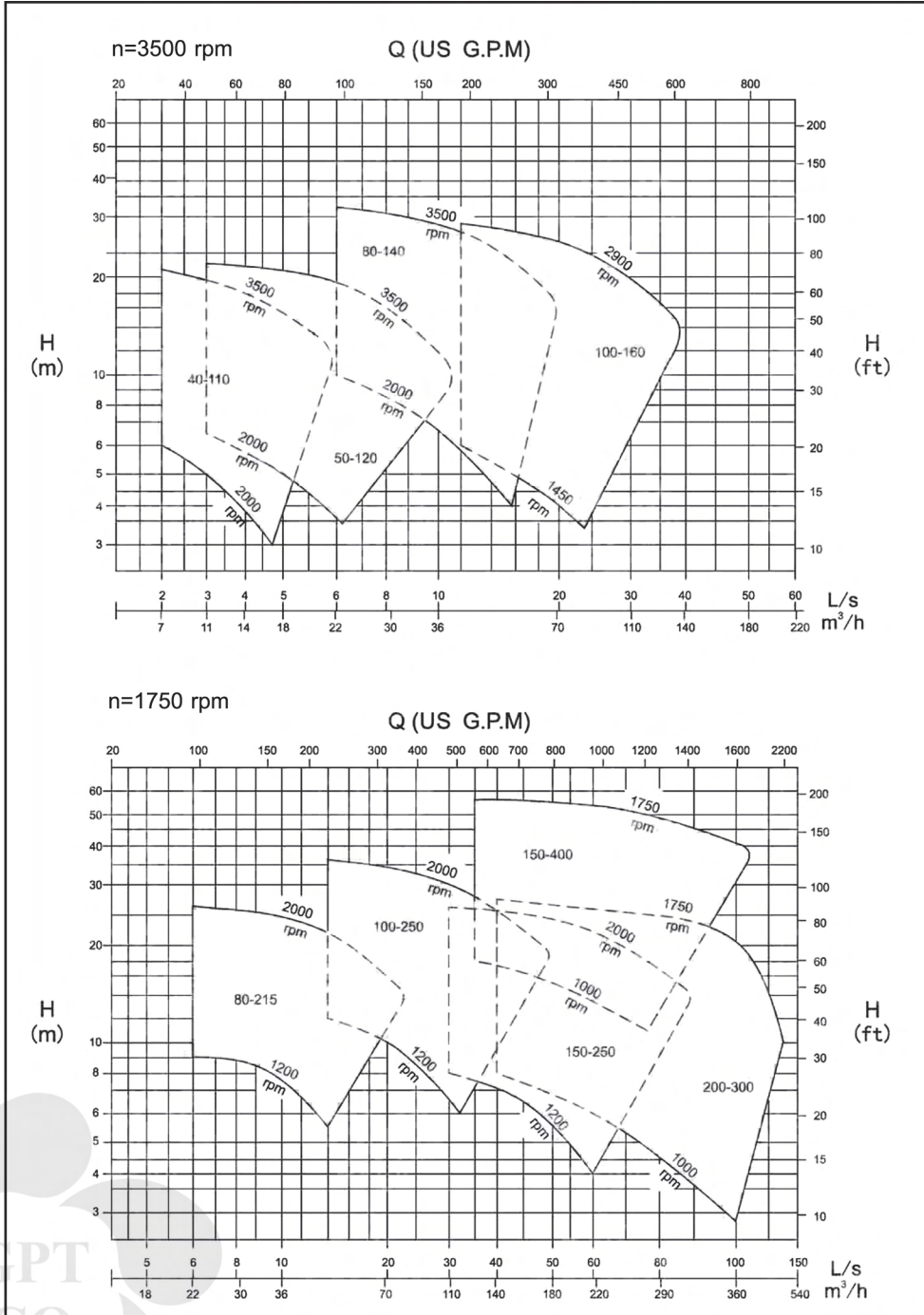


Code	Part Name
01	Casing
02	Wear Plate - Front
02.1	Wear Plate - Back
03	Impeller
06	Bearing Frame
07	Shaft
08	Bearing Cover
10	Suction Flange
	Rubber Check
	Front Plate – Check Valve
14.1	Back Plate – Check Valve
	Bolt
	Nut
16	Inspection Cover
17	Inspection Cover Gasket
19	Pump Cover
21	Discharge Flange
22	Discharge Gasket

Code	Part Name
23	Inspection Cover
24	Inspection Cover Gasket
	Shaft Sleeve
25	Oil Seal
	Mechanical Seal
26	Inspection Cover
27	Inspection Cover Gasket
33	Impeller Nut
34	Washer Deflector
42	Back Wear Plate Gasket
43	Casing Gasket
45	Bolt
45.1	Nut
47	Stud
48	Stud
49	Stud
52.1	Nut
53	Nut

Code	Part Name
53.2	Nut
54	Stud
55	Bolt
57.1	Screw Bolt
58	Ball Bearing
59	Ball Bearing
60	Key (Impeller)
61	Key (Shaft)
62	Bearing Lock Nut
66	Flat Washer
67	Grease Cup
70	Grease Cup
71	Lip Seal
100	Bearing Cover Gasket
101	Bearing Lock Nut Washer

EJ Series Performance 60 Hz



EH
series

Over size Centrifugal pumps

Description & Features

EH pumps are designed in accordance with ISO 2858 standard while the performance even better than ISO 2858. Pumps have superior hydraulic design, by which significantly higher efficiencies are achieved for less power consumption.

The flow rates are 1.6 times and the head are 125% of their correspondent sizes in ISO 2858 standard.

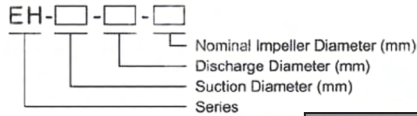
Pump performance can be changed by Impeller trimming. There are 4 sizes of shafts and 4 sizes of

bearing housing among the whole series, and many of the parts such as shaft, shaft sleeve, shaft seal and impeller nut of one pump are interchangeable with other pumps of the same bearing housing.

Back pull-out design and driven by motor or other driving device through flexible coupling, very easy and convenient to install and maintain.



Model Instruction



Material

Applications

- Water supply and drainage
- HVAC and Cooling Tower
- Fire Protection and Fire Fighting
- Marine-Ballasting & Bilge
- Booster and Pressurization Set
- Irrigation and agriculture
- Water supply and drainage

Operating Data

Flowrate: Max. 1200 m³/h

Head: Max. 160m

Discharge Diameter(mm): 32-200

Working Pressure(Mpa): 1.6 - 2.4

Temperature : -15°C~80°C (Normal Material)

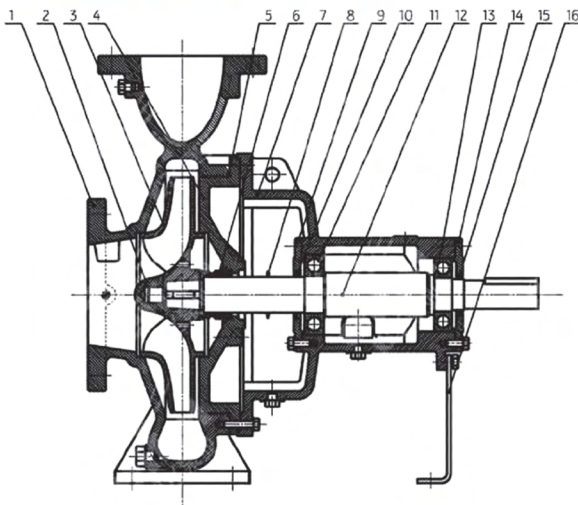
80°C~145°C (Special Material)

Speed(r/min) : 1450 / 2900 (50Hz),

1750 / 3500 (60Hz)

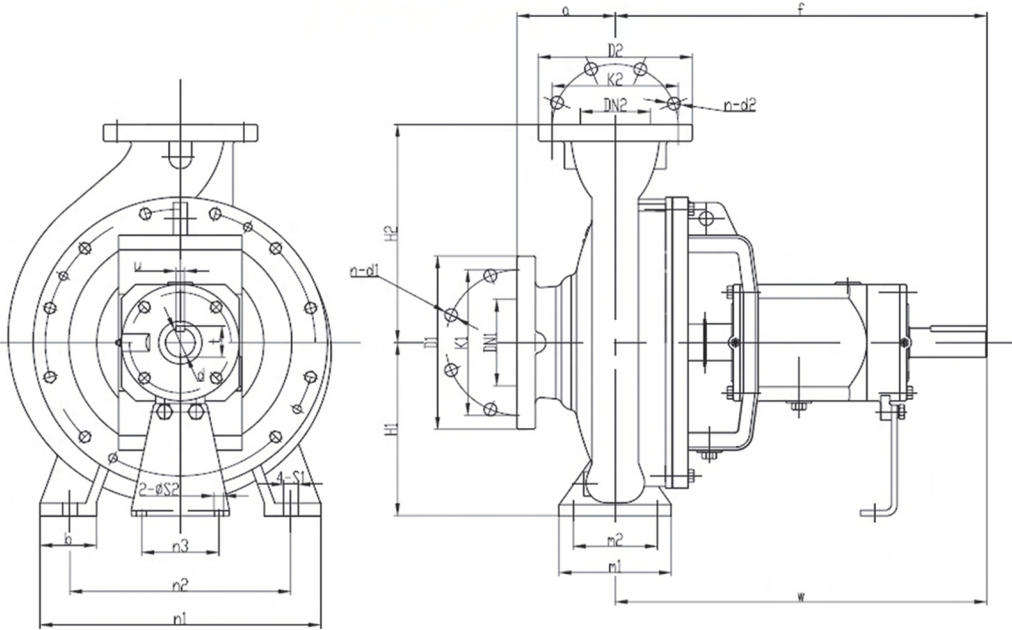
Pump Part	Material
Casing	Cast Iron
	Ductile Iron
Impeller	Cast Iron
	Brass
	Bronze
	Stainless Steel
Shaft	Carbon Steel
	Stainless Steel

Structure & List of Parts



Code	Part Name
1	Casing
2	Impeller Nut
3	Impeller
4	Casing Cover
5	O-ring
6	Mechanical Seal
7	Bearing Housing
8	Slinger
9	Bearing Cover (Impeller end)
10	Oil Seal (Impeller end)
11	Bearing (Impeller end)
12	Shaft
13	Bearing (Driving end)
14	Bearing Cover (Driving end)
15	Oil Seal (Driving end)
16	Support Foot

EH DIMENSION LIST

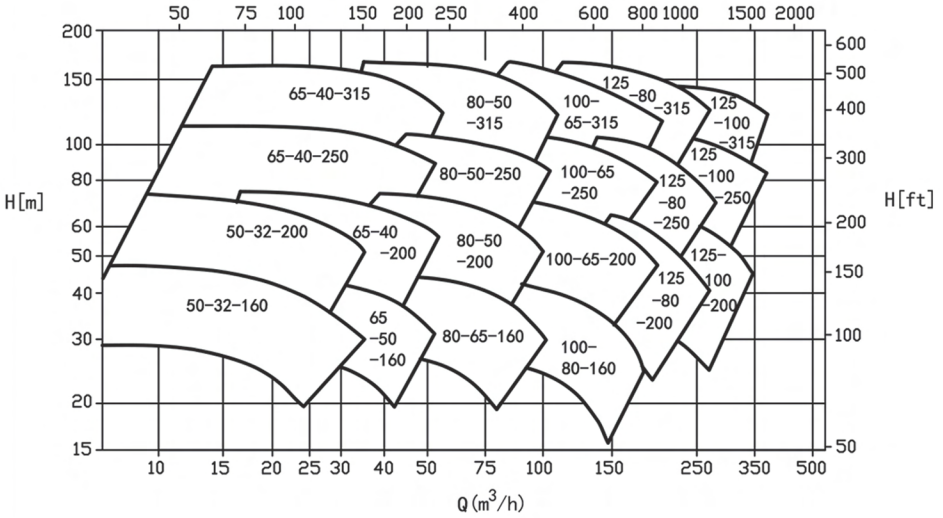


No.	MODEL					Shaft no.	PUMP DIMENSION LIST																	Weight		
	Suction flange	Suction	Discharge flange	Discharge	Imp.Dia		a	f	h1	h2	b	m1	m2	n1	n2	n3	c1	c2	w	S1	S2	d	t		u	l
9	DN80	80	DN50	52	250	2	125	500	180	225	65	125	95	320	250	110	15	6	370	M12	M12	32	35	10	80	76

EH Series Performance 50Hz

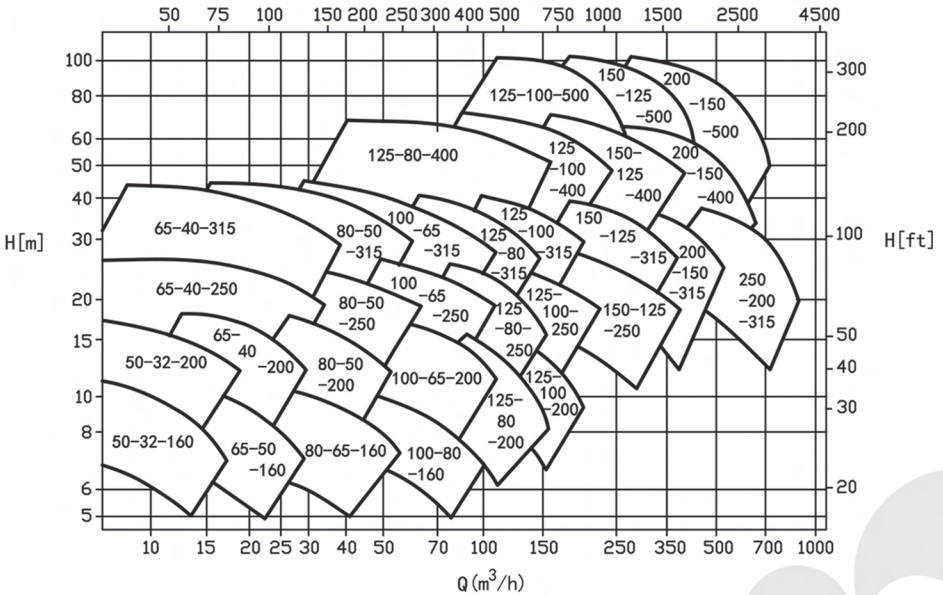
2900rpm

Q (US. G. P. M)



1450rpm

Q (US. G. P. M)



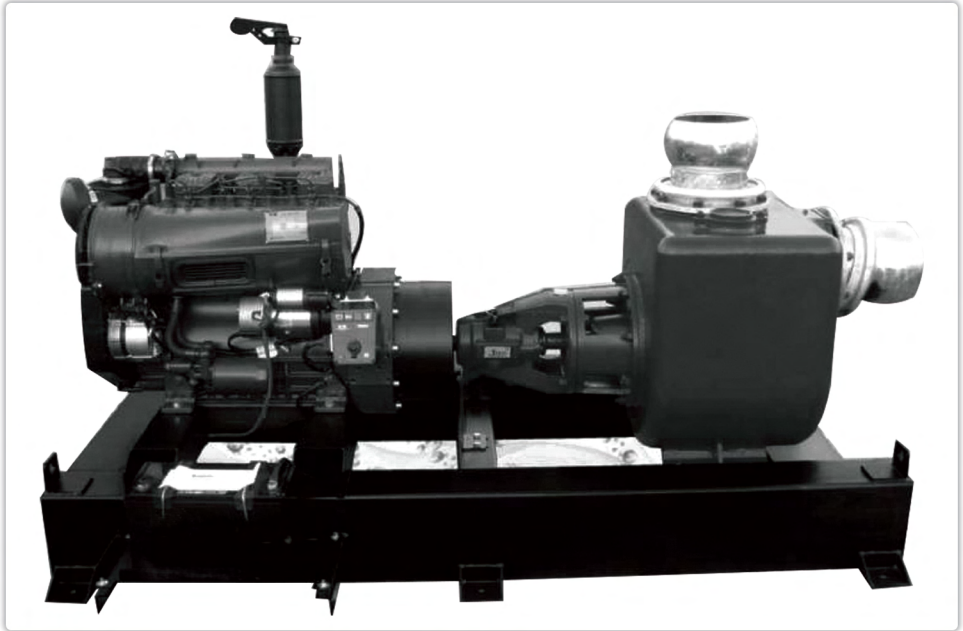


G.P.T.CO
Gol Pumps Technology Company

GOL PUMPS

CENTERIFUGAL PUMPS

General Catalogue



DIESEL & GASOLINE

TRASH MOTOR PUMP

GOL PUMPS TECHNOLOGY INC
3750 NW 114TH AVE SUITE #6
MIAMI , FL 33178
TEL : +1 (786) 615-8984 & +1 (789) 452 - 9775
FAX : +1 (786) 615 - 7043
E-mail: info@golpumps.com
www.golpumps.com