

■ **ABLE Electric Motor Group**

Add.: Qinxiyang Industrial Zone, Fu'an, Fujian, China
Tel.: 400-6511-039

■ **ABLE Electric (Ningde) Co., Ltd.**

Add.: NO.9 Jinwan Road, Zhangwan Industrial Zone, Ningde, Fujian, China, 352100
Tel.: +86-593-6161251

■ **Shanghai Hope Electric Motor & Control Co., Ltd.**

Add.: No.63 Jinwen Road, Zhuqiao Town, Pudong District, Shanghai, China, 201323
Tel.: +86-21-60127618

■ **Fujian ABLE Drive Control Equipment Co., Ltd.**

Add.: No.1501/106 Jiangbin east Road, Haixia Jinrong Building, Mawei District, Fuzhou, Fujian, China, 350015
Tel.: +86-591-83847018



Gol Pump Technology INC
www.golpumps.com

IE3 Aluminum Motors



ISO9001 ISO14001 OHSAS18001



Aluminum Motors



Gol Pump Technology INC
www.golpumps.com



Integrating scientific research, production and sales, ABLE MOTOR GROUP is honored as National Export Motor Quality And Safety Model, National Outstanding Enterprise in Small and Medium-sized Motor Industry, Chinese Electric Motor Industry AAA Credit Enterprise, Fujian provincial government quality award and Fujian Famous Brand Manufacturing Enterprise. Mr. Shaobo Chen, the Chairman of ABLE. He is awarded successively as National Excellent Township Enterprise Manager, National Quality Management Advanced Individual, Hainan Innovation and Entrepreneurship Talent, Excellent Entrepreneur of Fujian Province, and Ten Outstanding Talents of Ningde, etc..

ABLE has passed ISO9001, ISO14001, OHSAS18001 and other management system certifications, and got European Union CE/GS certificate, US UL certificate, Canada CSA certificate, and high-efficiency and energy saving certificate for its products. ABLE's main products are standard motors, customized motors, high efficiency motors, servo motors, and inverter motors, etc.

Nowadays, ABLE motors sell well in more than 30 countries and districts. ABLE has developed a stable and reliable partnership with many Global Top 500 Enterprises, and has already set up sales branches in Shanghai city, Guangdong province, Fujian province, German, Singapore, Malaysia, etc.

SHANGHAI HOPE ELECTRIC MOTOR & CONTROL CO., a branch of ABLE, has already been listed in National Equities Exchange and Quotations and strongly started main-board listing plan.

ABLE ELECTRIC MOTOR GROUP is a China's Leading Enterprise in small and medium-sized motor industry and one of the top three aluminum motor manufacturers in China. Founded in 1993, ABLE has owned more than ten subsidiaries now including ABLE ELECTRIC (NINGDE) CO. LTD., FUAN MINDONG ABLE ELECTRIC CO., LTD., SHANGHAI HOPE ELECTRIC MOTOR & CONTROL CO., LTD., ABLE CASTING CO. LTD., and ABLE XINYI LAMINATION CO. LTD.

Currently ABLE has over 1400 staffs. The number of professional engineering technicians accounts for 21% of the total number, of which 3 are with doctoral degree, 27 are senior engineers, and one is the talent of Fujian "hundred people plan". With strong technical strength in product research and development, ABLE is the electric motor engineering and technology research center of Fujian province and the provincial enterprise technical center.

It is both independent innovation and technique transferring that help ABLE Motor stay on top in the market competition. High efficiency and energy saving standard motors are Able main products presently, including 10 series which cover about 400 specifications; to add values to customers by high-quality products is one characteristic of ABLE motor; ABLE can produce specialized motors on customers' requirement; and ABLE will focus on promoting our new product IE4 super-high efficiency motor.



Sales center of Shanghai



Shanghai R&D center





With the years of care and support of leaders at all levels and friends from all walks of life at home and abroad, ABLE develops rapidly by adhering to the aim of "provide customers with first-class products, provide development space for employees, and create social prosperity jointly", building core value of "responsibility creates trust", and implementing the strategic steps of "science and technology as the guide, develop with quality, and seek benefits for employees".



Responsibility - responsibility creates trust. ABLE is responsible for customers, responsible for employees, responsible for shareholders, responsible for suppliers and responsible for society.

Sharing - Without eternal sharing, there is no eternal cooperation.

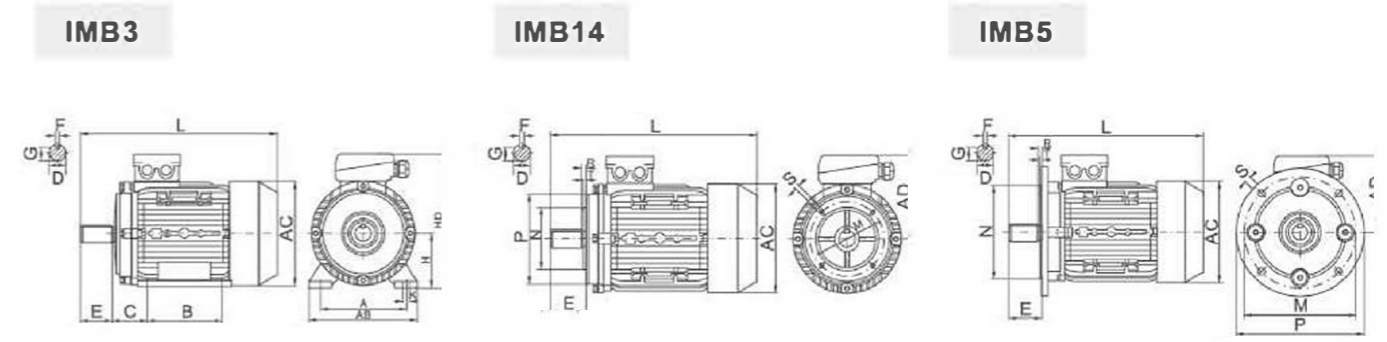
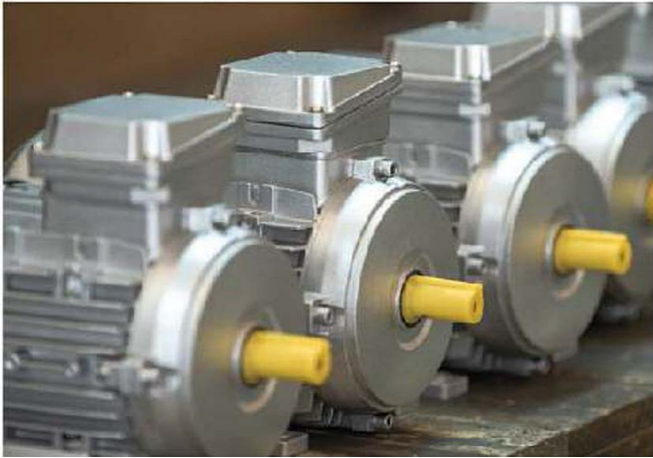
Innovation - technology innovation, brand innovation, management innovation, mechanism innovation.

Compatibility - cooperation, sharing, understanding and respect.



Gol Pump Technology INC
www.golpumps.com

MS SERIES THREE-PHASE ASYNCHRONOUS MOTOR ALUMINUM HOUSING



INSTALLATION SIZE AND OVERALL DIMENSION

Frame Size	Mounting Dimensions (mm)																				Frame Dimensions(mm)					
	IMB3										IMB14					IMB5					AB	AC	AD	HD	L	
	A	B	C	D	E	F	G	H	K	M	N	P	R	S	T	M	N	P	R	S						T
56	90	71	36	9	20	3	7.2	56	5.8	65	50	80	0	M5	2.5	100	80	120	0	7	3	108	110	100	156	195
63	100	80	40	11	23	4	8.5	63	7	75	60	90	0	M5	2.5	115	95	140	0	10	3	125	120	109	172	213
71	112	90	45	14	30	5	11	71	7	85	70	105	0	M6	2.5	130	110	160	0	10	3.5	132	139	117	188	255
80	125	100	50	19	40	6	15.5	80	10	100	80	120	0	M6	3	165	130	200	0	12	3.5	160	158	135	215	285
90S	140	100	56	24	50	8	20	90	10	115	95	140	0	M8	3	165	130	200	0	12	3.5	176	175	145	235	304
90L	140	125	56	24	50	8	20	90	10	115	95	140	0	M8	3	165	130	200	0	12	3.5	176	175	145	235	329
100L	160	140	63	28	60	8	24	100	12	130	110	160	0	M8	3.5	215	180	250	0	14.5	4	196	196	155	255	372
112M	190	140	70	28	60	8	24	112	12	130	110	160	0	M8	3.5	215	180	250	0	14.5	4	219	219	172	284	394
132S	216	140	89	38	80	10	33	132	12	165	130	200	0	M10	3.5	265	230	300	0	14.5	4	256	258	192	324	462
132M	216	178	89	38	80	10	33	132	12	165	130	200	0	M10	3.5	265	230	300	0	14.5	4	256	258	192	324	500
160M	254	210	108	43	110	12	37	160	15	215	180	250	0	M12	4	300	250	350	0	18.5	5	302	314	246	406	617
160L	254	254	108	42	110	12	37	160	15	215	180	250	0	M12	4	300	250	350	0	18.5	5	302	314	246	406	661

INTRODUCTION

Conform to IEC standard.
Widely applied in Industries which have high requirement on quality and reliability, such as commerce, manufacturing, construction, water supply and agricultural irrigation industries.

MOTOR FEATURES

- IP54/IP55
- Multiple feet locations
- Aluminum frame, end shields and base
- High strength cable gland
- Shaft key and protector supplied
- Superior paint finish
- Motors made to heavy duty service factors
- Can be made with stainless steel shaft
- Motors made for continuous S1 duty
- Grade F insulation
- High performance and efficiency

CUSTOMER BENEFITS

- Water, dust and vermin resistant
- Quiet operation
- Electricity saving
- Easy Installation (bolt on feet or brackets as required)
- Corrosion resistant
- Dependable
- Superior life
- Reliable in country, city or factory environments



Gol Pump Technology INC
www.golpumps.com

ALUMINUM HOUSING MOTOR



Gol Pump Technology INC
www.golpumps.com

IE3

TECHNICAL DATA

ALUMINUM MOTORS-SPEED 3500/1750RPM 60HZ

型号 Type	额定功率 Rated Power		功率 S.F=1.15 Power S.F=1.15	额定电流 Rated Current (A)							电流 S.F=1.15 Current (A) S.F=1.15			转速 Speed (rpm)		效率 Efficiency η (%)			功率因数 $\cos\phi$		额定转矩 (Nm)	堵转转矩/ 额定转矩	最大转矩/ 额定转矩	启动电流/ 额定电流	净重 (kg)
	功率 (kW)	马力 (HP)	功率 (kW)	208V	220V	230V	380V	440V	460V	660V	208V	230V	460V	S.F=1.0	S.F=1.15	100%	75%	50%	S.F=1.0	S.F=1.15		Ts/Tn	Tmax/Tn	Ist/In	
MSE3-801-2	0.75	1	0.86	3.15	2.97	2.85	1.72	1.64	1.42	0.99	3.57	3.23	1.62	3500	3490	80.7	80.0	76.5	0.82	0.83	2.0	2.3	2.8	8.0	9.5
MSE3-802-2	1.1	1.5	1.27	4.35	4.11	3.93	2.38	2.26	1.97	1.37	4.88	4.42	2.21	3500	3490	84.6	83.9	81.5	0.83	0.85	3.0	2.6	3.0	8.5	10.5
MSE3-90S-2	1.5	2	1.73	5.73	5.42	5.18	3.14	2.98	2.59	1.81	6.51	5.89	2.94	3515	3500	85.5	85.0	82.4	0.85	0.86	4.1	2.3	2.8	9.3	15
MSE3-90L-2	2.2	3	2.53	8.40	7.95	7.60	4.60	4.37	3.80	2.65	9.55	8.64	4.32	3507	3493	86.5	86.4	84.6	0.84	0.85	6.0	2.5	3.0	9.0	19
MSE3-100L-2	3	4	3.45	10.9	10.3	9.9	5.99	5.69	4.95	3.45	12.4	11.2	5.62	3505	3488	88.5	88.1	86.1	0.86	0.87	8.2	3.0	3.5	9.7	25
MSE3-112M-2	4	5.5	4.60	14.1	13.3	12.7	7.72	7.33	6.37	4.44	16.0	14.5	7.25	3505	3488	88.5	88.3	86.6	0.89	0.90	10.9	2.5	3.0	9.6	34
MSE3-132S1-2	5.5	7.5	6.33	19.4	18.3	17.5	10.6	10.1	8.76	6.11	22.0	19.9	9.97	3530	3520	89.5	88.9	86.8	0.88	0.89	14.9	2.3	2.8	9.6	49.5
MSE3-132S2-2	7.5	10	8.63	25.9	24.5	23.5	14.2	13.5	11.7	8.17	29.5	26.7	13.3	3525	3515	90.2	89.8	88.0	0.89	0.90	20.3	2.3	2.8	9.0	55
MSE3-132M1-2	9.2	12.5	10.6	31.8	30.1	28.8	17.4	16.5	14.4	10.03	36.2	32.7	16.4	3525	3515	90.2	90.1	88.3	0.89	0.90	24.9	2.1	2.8	9.3	62
MSE3-160M1-2	11	15	12.7	37.6	35.5	34.0	20.6	19.5	17.0	11.8	42.8	38.7	19.3	3555	3548	91.3	90.6	88.5	0.89	0.90	29.5	2.4	4.1	9.1	99
MSE3-160M2-2	15	20	17.3	50.6	47.8	45.7	27.7	26.3	22.9	15.9	57.5	52.0	26.0	3553	3546	91.5	91.1	89.5	0.90	0.91	40.3	2.3	3.8	8.6	108
MSE3-160L-2	18.5	25	21.3	61.2	57.9	55.4	33.5	31.8	27.7	19.3	69.7	63.0	31.5	3553	3545	92.1	91.7	90.2	0.91	0.92	49.7	2.3	3.7	8.7	118
MSE3-802-4	0.75	1	0.75	3.37	3.19	3.05	1.84	1.75	1.52	1.06	3.32	3.01	1.50	1734	1722	83.5	83.5	80.9	0.74	0.75	4.1	2.5	2.8	6.6	13
MSE3-90S-4	1.1	1.5	1.1	4.77	4.51	4.31	2.61	2.48	2.16	1.50	4.71	4.26	2.13	1750	1740	86.5	85.5	84.5	0.74	0.75	6.0	2.5	3.0	8.0	14.5
MSE3-90L-4	1.5	2	1.5	6.37	6.02	5.76	3.49	3.31	2.88	2.01	6.29	5.69	2.84	1750	1742	88.3	88.8	87.8	0.74	0.75	8.2	2.9	3.2	7.5	18.5
MSE3-100L1-4	2.2	3	2.2	8.75	8.27	7.91	4.79	4.55	3.95	2.76	8.42	7.62	3.81	1760	1754	89.5	89.6	88.1	0.78	0.81	11.9	2.6	3.2	9.1	27
MSE3-100L2-4	3	4	3	11.5	10.9	10.4	6.29	5.97	5.19	3.62	11.2	10.1	5.07	1740	1720	89.5	88.0	86.2	0.81	0.83	16.5	2.6	3.0	8.2	30
MSE3-112M-4	4	5.5	4	14.9	14.1	13.5	8.18	7.77	6.76	4.71	14.8	13.4	6.68	1754	1745	89.5	89.8	88.5	0.83	0.84	21.8	2.7	3.2	9.1	38
MSE3-132S-4	5.5	7.5	5.5	20.1	19.0	18.1	11.0	10.4	9.07	6.32	19.8	17.9	8.96	1760	1753	91.7	91.3	90.2	0.83	0.84	29.8	2.2	2.8	9.0	50
MSE3-132M-4	7.5	10	7.5	27.0	25.6	24.4	14.8	14.1	12.2	8.52	26.7	24.2	12.1	1760	1753	91.7	91.8	91.1	0.84	0.85	40.7	2.5	2.8	9.3	58
MSE3-132M2-4	9.2	12.5	9.2	32.8	31.0	29.6	17.9	17.0	14.8	10.33	32.4	29.3	14.6	1755	1748	91.7	91.4	90.4	0.85	0.86	50.1	2.5	3.0	9.6	68
MSE3-160M-4	11	15	11	39.3	37.2	35.6	21.5	20.5	17.8	12.40	38.7	35.0	17.5	1776	1772	92.4	92.1	90.9	0.84	0.85	59.1	2.4	2.6	7.6	111
MSE3-160L-4	15	20	15	53.1	50.2	48.0	29.1	27.6	24.0	16.73	52.4	47.4	23.7	1776	1772	93.0	92.8	91.8	0.84	0.85	80.7	3.1	3.1	9.2	117

■ **ABLE Electric Motor Group**

Add.: Qínxiyang Industrial Zone, Fu'an, Fujian, China
Tel.: 400-6511-039

■ **ABLE Electric (Ningde) Co., Ltd.**

Add.: NO.9 Jinwan Road, Zhangwan Industrial Zone, Ningde, Fujian, China, 352100
Tel.: +86-593-6161251

■ **Shanghai Hope Electric Motor & Control Co., Ltd.**

Add.: No.63 Jinwen Road, Zhuqiao Town, Pudong District, Shanghai, China, 201323
Tel.: +86-21-60127618

■ **Fujian ABLE Drive Control Equipment Co., Ltd.**

Add.: No.1501/106 Jiangbin east Road, Haixia Jinrong Building, Mawei District, Fuzhou, Fujian, China, 350015
Tel.: +86-591-83847018



Gol Pump Technology INC
www.golpumps.com

IE3 Cast Iron Motors



ISO9001 ISO14001 OHSAS18001



Cast Iron Motors

CAST IRON MOTOR IE3



INTRODUCTION

- Three-phase asynchronous motors
- Designed specifically for European market
- Terminal box is at the top of motor housing
- Compact structure and beautiful appearance
- Installation dimensions meet IEC standard
- Grade F insulation
- Grade B temperature rise test
- High efficiency, energy saving, and large starting torque
- Easy to use and maintain

APPLICATION CONDITIONS

- Insulation grade: F
- Protection grade: IP54/IP55
- Rated voltage: according to customer's request
- Rated frequency: 50Hz/60Hz
- Cooling way: IC411
- Working way: S1

INSTALLATION STRUCTURE

- B3 base with feet; end shields without flange
- B35 base with feet; end shields with flange
- B5 base without feet; end shields with flange

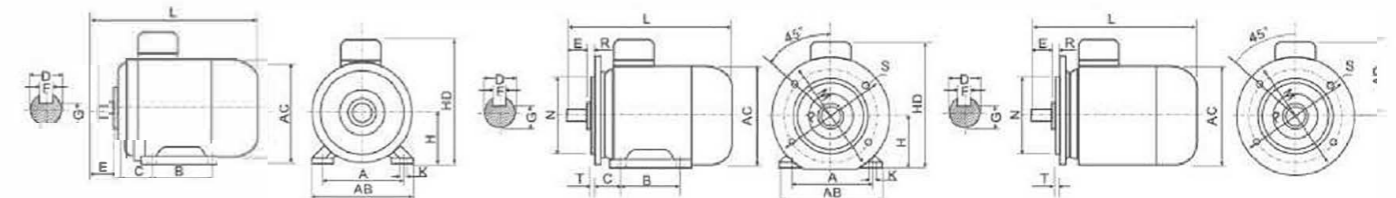


Gol Pump Technology INC
www.golpumps.com

IMB3

IMB35

IMB5



INSTALLATION SIZE AND OVERALL DIMENSION

Frame Size	Mounting Dimensions (mm)																Frame Dimensions (mm)								
	A	B	C	D		E		F		G		H	K	M	N	P	R	S	T	AB	AC	AD	HD	L	
				2P	4,6,8,10P	2P	4,6,8,10P	2P	4,6,8,10P	2P	4,6,8,10P														
63	100	80	40	11	23	4	8.5	63	7	115	95	140	0	10	3	135	130	70	180	230					
71	112	90	45	14	30	5	11	71	7	130	110	160	0	10	3	150	145	80	195	255					
80	125	100	50	19	40	6	15.5	80	10	165	130	200	0	12	3.5	165	175	145	220	295					
90S	140	100	56	24	50	8	20	90	10	165	130	200	0	12	3.5	180	195	155	250	320					
90L	140	125	56	24	50	8	20	90	10	165	130	200	0	12	3.5	180	195	155	250	345					
100L	160	140	63	28	60	8	24	100	12	215	180	250	0	15	4	205	215	180	270	385					
112M	190	140	70	28	60	8	24	112	12	215	180	250	0	15	4	230	240	190	300	400					
132S	216	140	89	38	80	10	33	132	12	265	230	300	0	15	4	270	275	210	345	470					
132M	216	178	89	38	80	10	33	132	12	265	230	300	0	15	4	270	275	210	345	510					
160M	254	210	108	42	110	12	37	160	15	300	250	350	0	19	5	315	330	255	400	605					
160L	254	254	108	42	110	12	37	160	15	300	250	350	0	19	5	315	330	255	400	660					
180M	279	241	121	48	110	14	42.5	180	15	300	250	350	0	19	5	355	380	280	440	690					
180L	279	279	121	48	110	14	42.5	180	15	300	250	350	0	19	5	355	380	280	440	725					
200L	318	305	133	55	110	16	49	200	19	350	300	400	0	19	5	410	420	305	500	765					
225S	356	286	149	-	60	-	140	-	18	-	53	225	19	400	350	450	0	19	5	445	470	335	555	-	810
225M	356	311	149	55	60	110	140	16	18	49	53	225	19	400	350	450	0	19	5	445	470	335	550	805	835
250M	406	349	168	60	65	140	18	53	58	250	24	500	450	550	0	19	5	485	510	370	615	910			
280S	457	368	190	65	75	140	18	20	58	67.5	280	24	500	450	550	0	19	5	550	580	410	660	980		
280M	457	419	190	65	75	140	18	20	58	67.5	280	24	500	450	550	0	19	5	550	580	410	660	1030		
315S	508	406	216	65	80	140	170	18	22	58	71	315	28	600	550	660	0	24	6	630	645	630	825	1180	1275
315M	508	457	216	65	80	140	170	18	22	58	71	315	28	600	550	660	0	24	6	630	645	630	830	1290	1320
315L	508	508	216	65	80	140	170	18	22	58	71	315	28	600	550	660	0	24	6	630	645	630	830	1290	1320
355M	610	560	254	75	95	140	170	20	25	68	86	355	28	740	680	800	0	24	6	705	710	655	1010	1510	1540
355L	610	630	254	75	95	140	170	20	25	68	86	355	28	740	680	800	0	24	6	705	710	655	1010	1510	1540

CAST IRON MOTOR



Gol Pump Technology INC
www.golpumps.com

IE3

TECHNICAL DATA CAST IRON MOTORS-SPEED 3500/1750RPM 60HZ

型号 Type	额定功率 Rated Power		功率 S.F=1.15 Power S.F=1.15	额定电流 Rated Current (A)								电流 S.F=1.15 Current (A) S.F=1.15			额定转速 Rated Speed (rpm)		效率 Efficiency η (%)			功率因数 $\cos\phi$		额定转 矩 (Nm)	堵转转矩/ 额定转矩	最大转矩/ 额定转矩	启动电流/ 额定电流	净重 (kg)
	功率 (kW)	马力 (HP)	功率 (kW)	208V	220V	230V	380V	440V	460V	660V	208V	230V	460V	S.F=1.0	S.F=1.15	100%	75%	50%	S.F=1.0	S.F=1.15	Ts/Tn					
YE3-160M1-2	11	15	12.7	37.6	35.5	34.0	20.6	19.5	17.0	11.8	42.8	38.7	19.3	3555	3548	91.3	90.6	88.5	0.89	0.90	30	2.4	4.1	9.1	122	
YE3-160M2-2	15	20	17.3	50.6	47.8	45.7	27.7	26.3	22.9	15.9	57.5	52.0	26.0	3553	3546	91.5	91.1	89.5	0.90	0.91	40	2.3	3.8	8.6	137	
YE3-160L-2	18.5	25	21.3	61.2	57.9	55.4	33.5	31.8	27.7	19.3	69.7	63.0	31.5	3553	3545	92.1	91.7	90.2	0.91	0.92	50	2.3	3.7	8.7	150	
YE3-180M-2	22	30	25.3	72.8	68.8	65.8	39.8	37.8	32.9	22.9	82.8	74.8	37.4	3560	3554	92.2	92.0	90.2	0.91	0.92	59	3.3	3.8	8.8	198	
YE3-200L1-2	30	40	34.5	98.7	93.3	89.3	54.0	51.3	44.6	31.1	112	102	50.8	3567	3562	92.7	92.1	90.3	0.91	0.92	80	2.8	3.5	8.5	244	
YE3-200L2-2	37	50	42.6	120	113	108	65	62.2	54.1	38	136	123	61.5	3568	3263	93.4	92.9	91.4	0.92	0.93	99	2.8	3.5	8.9	261	
YE3-225M-2	45	60	51.8	145	137	131	79	75.4	65.6	46	167	151	75.4	3571	3267	93.6	92.9	91.2	0.92	0.92	120	2.7	3.6	9.1	324	
YE3-250M-2	55	75	63.3	178	168	161	97	92.6	80.5	56	205	185	92.6	3578	3547	94.2	93.6	92.2	0.91	0.91	147	2.5	3.7	8.8	407	
YE3-280S-2	75	100	86.3	237	224	214	130	123	107	75	271	245	123	3579	3576	94.2	93.4	91.5	0.93	0.94	200	2.4	2.7	7.4	575	
YE3-280M-2	90	125	104	279	264	253	153	145	126	88	321	290	145	3574	3570	94.6	94.1	92.7	0.95	0.95	240	2.4	2.7	7.1	600	
YE3-315S-2	110	150	127	340	322	308	186	177	154	107	391	354	177	3577	3574	95.2	94.7	93.5	0.94	0.94	294	2.1	2.5	7.0	876	
YE3-315M-2	132	180	152	408	385	369	223	212	184	128	469	424	212	3576	3572	95.0	94.5	93.1	0.95	0.95	353	2.0	2.5	6.6	974	
YE3-315L1-2	160	220	184	494	467	447	271	257	223	156	568	513	257	3579	3576	95.4	94.9	93.6	0.94	0.94	427	1.9	2.5	6.1	1009	
YE3-315L2-2	200	250	230	613	579	554	335	319	277	193	705	638	319	3577	3573	95.8	95.5	94.5	0.95	0.95	534	2.0	2.6	8.2	1132	
YE3-355M-2	250	340	288	779	736	704	426	405	352	245	893	807	404	3584	3582	95.4	94.8	93.5	0.93	0.94	666	1.7	2.3	6.3	1643	
YE3-355L-2	315	430	362	974	921	881	533	506	440	307	1118	1011	505	3584	3582	95.5	94.9	93.4	0.94	0.94	839	1.7	2.3	6.3	1800	
YE3-160M-4	11	15	12.7	39.3	37.2	35.6	21.5	20.5	17.8	12.4	44.5	40.2	20.1	1776	1772	92.4	92.1	90.9	0.84	0.85	59	2.4	2.6	7.6	122	
YE3-160L-4	15	20	17.3	53.1	50.2	48.0	29.1	27.6	24.0	16.7	60.2	54.5	27.2	1776	1772	93.0	92.8	91.8	0.84	0.85	81	3.1	3.1	9.2	144	
YE3-180M-4	18.5	25	21.3	63.4	60.0	57.4	34.7	33.0	28.7	20.0	71.7	64.8	32.4	1776	1772	93.6	93.6	92.8	0.86	0.88	99	3.0	3.7	9.6	182	
YE3-180L-4	22	30	25.3	74.8	70.7	67.6	40.9	38.9	33.8	23.6	85.0	76.9	38.4	1775	1772	93.9	94.0	93.3	0.87	0.88	118	2.9	3.6	9.0	209	
YE3-200L-4	30	40	34.5	104	98.4	94.2	57.0	54.1	47.1	32.8	118	107	53.5	1780	1777	94.1	93.7	92.4	0.85	0.86	161	2.6	3.0	9.6	280	
YE3-225S-4	37	50	42.6	126	119	114	69	65.7	57.1	40	144	130	65.0	1788	1785	94.5	94.1	93.2	0.86	0.87	198	3.5	3.3	9.7	308	
YE3-225M-4	45	60	51.8	151	143	137	83	78.6	68.3	48	172	155	77.7	1785	1783	95.0	94.4	93.7	0.87	0.88	241	3.6	3.2	9.6	343	
YE3-250M-4	55	75	63.3	182	172	165	100	94.7	82.3	57	207	187	93.6	1785	1783	95.3	94.9	94.4	0.88	0.89	294	3.4	3.2	9.0	458	
YE3-280S-4	75	100	86.3	243	230	220	133	127	110	77	278	252	128	1787	1785	95.6	95.6	94.9	0.90	0.90	401	2.8	3.2	9.0	565	
YE3-280M-4	90	125	104	293	277	265	160	152	132	92	334	302	151	1788	1785	95.5	95.4	94.7	0.89	0.90	481	2.4	2.8	8.0	657	
YE3-315S-4	110	150	127	361	341	326	198	188	163	114	409	370	185	1790	1788	95.9	95.4	94.2	0.88	0.90	587	2.3	2.7	8.2	876	
YE3-315M-4	132	180	152	429	405	388	235	223	194	135	488	441	221	1789	1788	95.9	95.4	94.2	0.89	0.90	705	2.3	2.8	8.1	994	
YE3-315L1-4	160	220	184	516	488	467	283	268	233	163	588	532	268	1789	1787	96.0	95.5	94.4	0.90	0.91	854	2.3	2.7	7.8	1078	
YE3-315L2-4	200	250	230	630	596	570	345	328	285	199	721	652	326	1789	1787	96.3	96.0	95.0	0.92	0.92	1068	2.1	2.5	7.3	1238	
YE3-355M-4	250	340	288	782	740	708	428	407	354	247	900	814	407	1791	1789	96.1	95.8	94.9	0.92	0.92	1333	1.8	2.3	6.4	1719	
YE3-355L-4	315	430	362	994	940	899	544	517	450	313	1141	1032	518	1790	1789	96.3	95.9	95.0	0.91	0.92	1681	2.3	2.5	7.5	1823	



GOL PUMPS TECHNOLOGY INC

6520 NW 77th CT , Miami FL 33166

Ph: +1 (786) 615 8984

Fax: +1 (786) 615 7043

Info@golpumps.com

www.golpumps.com