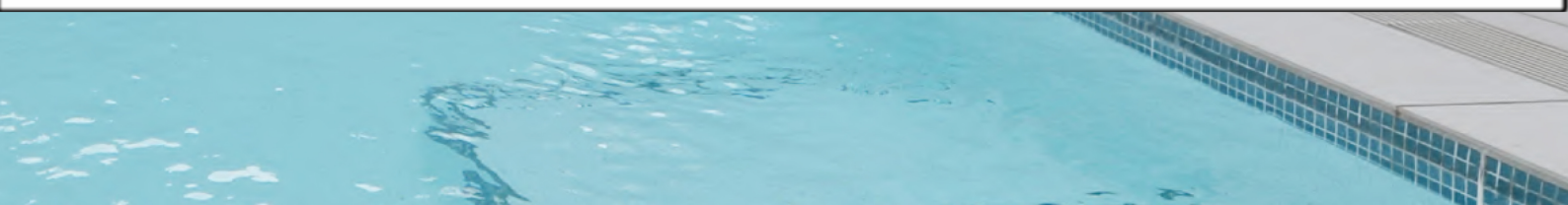




G.P.T CO
Gol Pump Technology Company

HANDY & RESIDUE PUMPS

50Hz / 60Hz





SMART SERIES

HANDY & RESIDUE PUMPS

Compact, lightweight and easy to use, the SMART series pumps deliver high performance for their size. These small but effective dewatering pumps are easily maintained and perfect for a variety of applications, such as small construction sites, rental industries, and municipal jobs.

FEATURES

1 Watertight Cable Entry

The cable entry employs an anti-wicking block where each conductor is stripped and encapsulated in epoxy. This feature effectively prevents water from penetrating the motor chamber when the cable end is submerged or the cable sheath is damaged.

2 Top Discharge and Double Housing Design

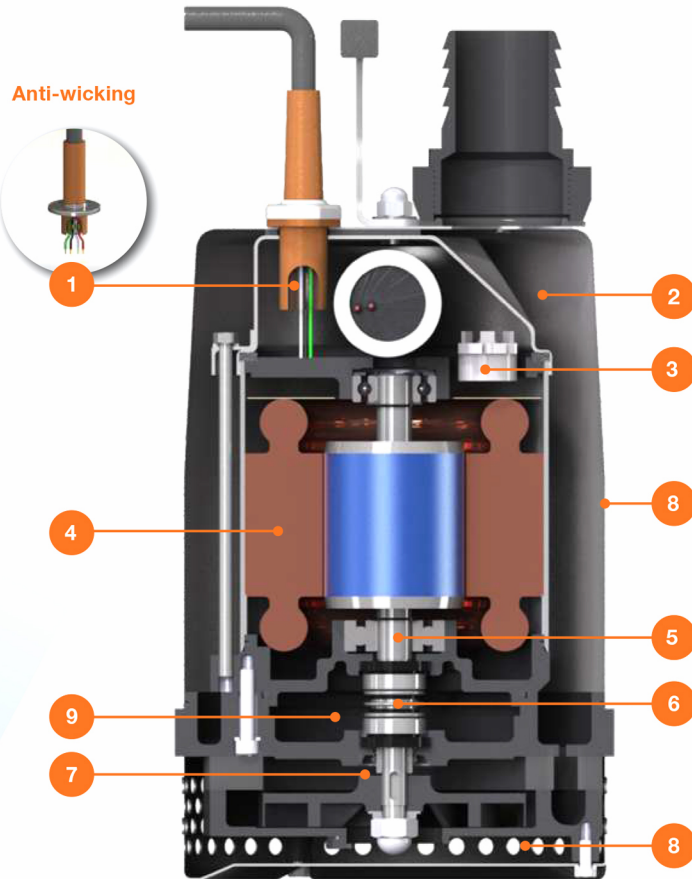
Designed to construct a water jacket that provides maximum motor cooling effect for continuous operation at low water level, this feature forms the cylindrical and slim shape of the pump and enables the pump to be installed in confined spaces.

3 Motor Protector

The motor incorporates a circle thermal protector which protects against overheating and dry-run.

4 Submersible Motor

Air filled motor, housed in a watertight casing, conforms to Class F insulation.



The above images are for illustration purposes only, please refer to datasheets for more details.

5 C3 Ball Bearings and Hardened SS Shaft

High quality of C3 ball bearings and the well-balanced, hardened stainless steel shaft enhance stability during continuous pumping operations.

6 Double Mechanical Seals

Located in the oil chamber, the device is made of quality materials with highly wear-resistant silicon carbide in lower side that provides extra protection against leakage and dry-run.

7 Extra Protection for Mechanical Seals and Shaft

Lip seals and shaft sleeves are utilized for additional protection against wear.

8 Durable Outer Jacket and Strainer

The outer housing and strainer made of 304 stainless steel provide impact resistant to harsh handling and conditions.

9 Food Grade Lubricant

GOL PUMP adopts eco-friendly lubricant to minimize environmental impacts.





SMART LITE

Small, lightweight and cost-effective, the SMART LITE pumps perform an excellent job for their size. These small but effective dewatering pumps are easily maintained and perfect for a variety of applications, such as small construction sites, rental industries, and municipal jobs.

FEATURES

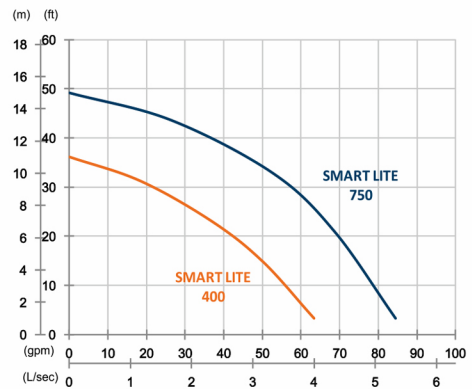
- **Watertight cable entry** prevents water incursion from the capillary wicking.
- **Multi-Direction Discharge** can be changed between vertical and horizontal ways.
- **Slim line design** allows access into limited space.
- **Double housing** forms a water jacket to greatly cool the motor.
- **A thermal protector** is used on the motor to protect against overheating and dry-run.
- **Air filled motor** housed in a watertight casing, conforms to Class F insulation.
- **C3 Ball Bearings and Hardened SS Shaft** enhance stability during operation.
- **Mechanical Sic Seal** in lower side provides extra protection against leakage and dry-run.
- **A Lip Seal** works as an extra protection for mechanical seal from wear.
- **PU Impeller** is adopted for easy maintenance.
- **Food Grade Lubricant** helps minimizing environmental impacts.

SMART LITE

400 750



SMART LITE	400	750
Outlet	2" (50mm)	2" (50mm)
Rated Output	0.5HP (0.4kW)	1HP (0.75kW)
Shaft Speed	3450 rpm	3450 rpm
Solid Passage	0.3" (7mm)	0.3" (7mm)
Height	11.9" (303mm)	13.5" (343mm)
Diameter	Ø8.1" (205mm)	Ø8.1" (205mm)
Weight	25 lbs (11kg)	29 lbs (13kg)

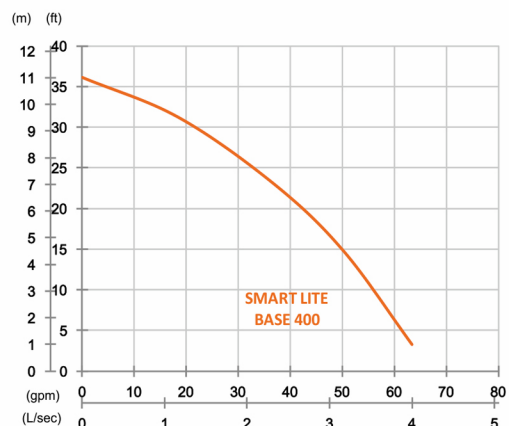


SMART LITE BASE

400



SMART LITE BASE	400
Outlet	2" (50mm)
Rated Output	0.5HP (0.4kW)
Shaft Speed	3450 rpm
Solid Passage	0.1" (2mm)
Height	12" (304mm)
Diameter	Ø8.5" (215mm)
Weight	24 lbs (11kg)





SMART VOX

Equipped with an agitator, SMART VOX pumps are light-weight and cost-effective sludge pumps. These portable and effective sludge pumps are easily maintained and perfect for a variety of applications, such as small construction sites, rental industries, and municipal jobs.

FEATURES

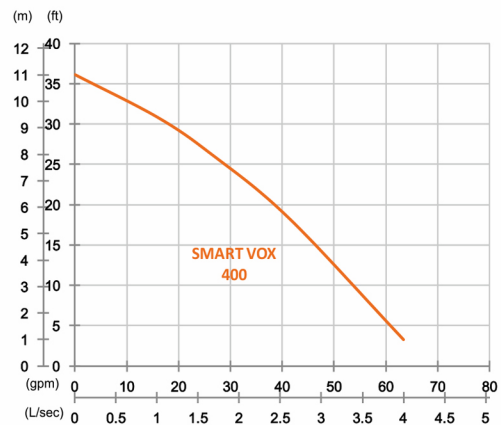
- **Watertight cable entry** prevents water incursion from the capillary wicking.
- **A thermal protector** is used on the motor to protect against overheating and dry-run.
- **Air filled motor** housed in a watertight casing, conforms to Class F insulation.
- **C3 Ball Bearings and Hardened SS Shaft** enhance stability during operation.
- **Mechanical Sic Seal** in lower side provides extra protection against leakage and dry-run.
- **A Lip Seal** works as an extra protection for mechanical seal from wear.
- **Shaft-mounted Agitator** functioning with side discharge and a semi-vortex PU impeller forms a large channel in the spiral casing and allows sand and slit-laden water to pass through efficiently.
- **Impact-Resistant Suction Stand** is made for easy cleaning and maintenance.
- **Food Grade Lubricant** helps minimizing environmental impacts.

SMART VOX

400



SMART VOX	400
Outlet	2" (50mm)
Rated Output	0.5HP (0.4kW)
Shaft Speed	3450 rpm
Solid Passage	0.2" (7mm)
Height	13.8" (350mm)
Diameter	Ø10" (253mm)
Weight	26 lbs (12kg)

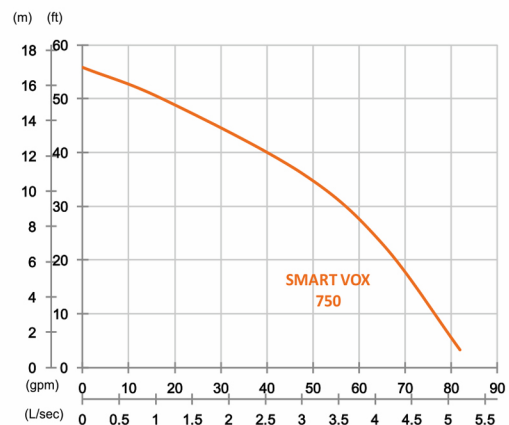


SMART VOX

750



SMART VOX	750
Outlet	2" (50mm)
Rated Output	1HP (0.75kW)
Shaft Speed	3450 rpm
Solid Passage	0.3" (7mm)
Height	14.8" (377mm)
Diameter	Ø10" (253mm)
Weight	29 lbs (13kg)





SAVVY SERIES

HANDY & RESIDUE PUMPS

The SAVVY series pumps are suitable for a variety of domestic applications, including draining basements and garages, emptying swimming pool and fountains, gardening, and hobby applications in general.

FEATURES

1 Watertight Cable Entry

Watertight cable entry prevents water incursion from the capillary wicking.

2 Durable Outer Housing

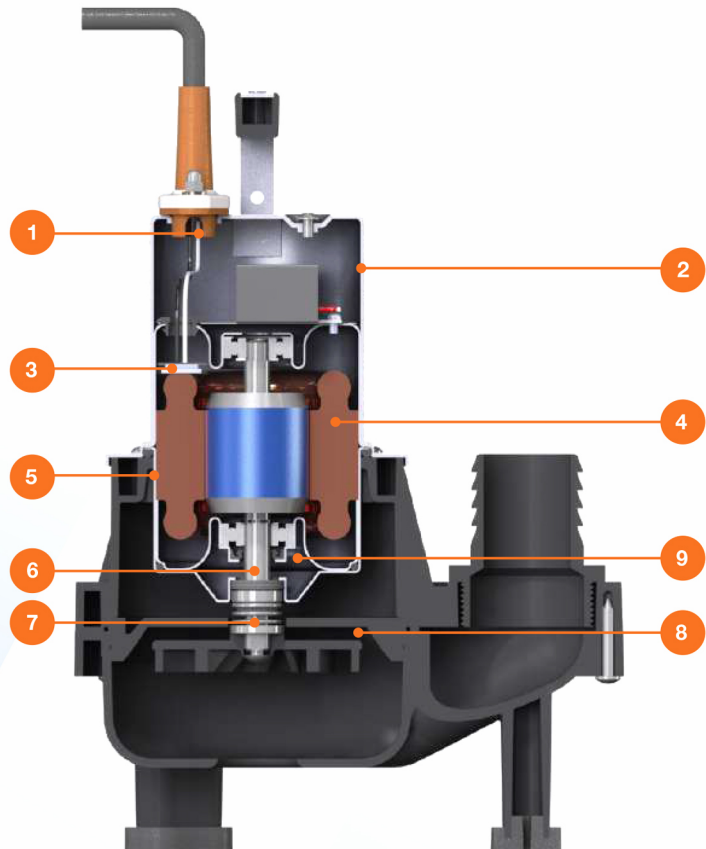
The outer housing made of 304 stainless steel provides impact resistant to harsh handling and conditions.

3 Motor Protector

The motor incorporates a miniature thermal protector which protects against overheating and dry-run.

4 Submersible Motor

Air filled motor, housed in a watertight casing, conforms to Class F insulation.



The above images are for illustration purposes only, please refer to datasheets for more details.

5 Stainless Steel 304 Motor Housing

The material provides superior corrosion resistance.

6 C3 Ball Bearings and Hardened SS Shaft

High quality of C3 ball bearings and the well-balanced, hardened stainless steel shaft enhance stability during continuous pumping operations.

7 Mechanical Seal

The premium mechanical seal provides extra protection against leakage and longer life span.

8 Impact-resistant Nylon pump casing and suction grid

Lightweight design and corrosion-resistance.

9 Food Grade Lubricant

GOL PUMP adopts eco-friendly lubricant to minimize environmental impacts.



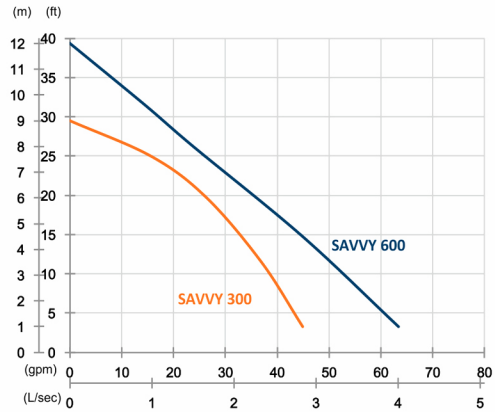


SAVVY

300 600



SAVVY	300	600
Outlet	2" (50mm)	2" (50mm)
Rated Output	0.33HP (0.25kW)	0.75HP (0.55kW)
Shaft Speed	3450 rpm	3450 rpm
Solid Passage	0.2" (6mm)	0.2" (6mm)
Height	12" (306mm)	13.4" (341mm)
Diameter	Ø9.6" (244mm)	Ø9.6" (244mm)
Weight	9 lbs (4kg)	13 lbs (6kg)

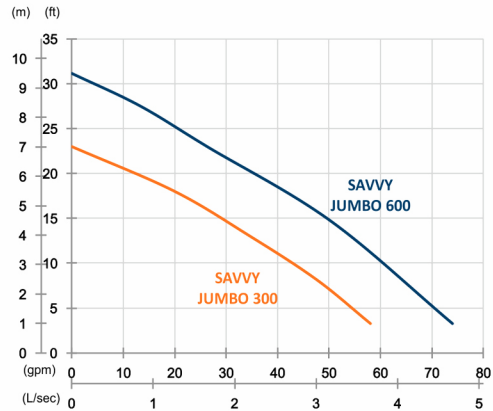


SAVVY JUMBO

300 600



SAVVY JUMBO	300	600
Outlet	2" (50mm)	2" (50mm)
Rated Output	0.33HP (0.25kW)	0.75HP (0.55kW)
Shaft Speed	3450 rpm	3450 rpm
Solid Passage	1.4" (35mm)	1.4" (35mm)
Height	13.3" (337mm)	14.6" (372mm)
Diameter	Ø9.6" (245mm)	Ø9.6" (245mm)
Weight	9 lbs (4kg)	13 lbs (6kg)

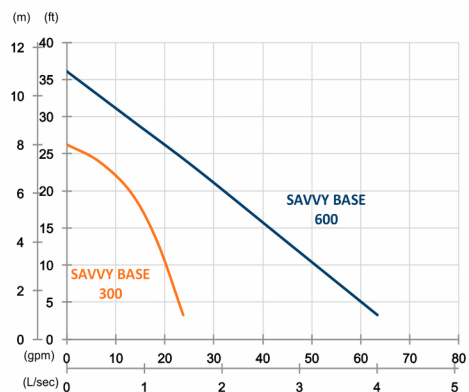


SAVVY BASE

300 600



SAVVY BASE	300	600
Outlet	1" (25mm)	2" (50mm)
Rated Output	0.33HP (0.25kW)	0.75 HP (0.55kW)
Shaft Speed	3450 rpm	3450 rpm
Solid Passage	0.1" (2mm)	0.1" (2mm)
Height	12" (304mm)	14.1" (357mm)
Diameter	Ø9.6" (244mm)	Ø9.6" (244mm)
Weight	9 lbs (4kg)	13 lbs (6kg)





SAVVY 100 / 150 / 200

FEATURES

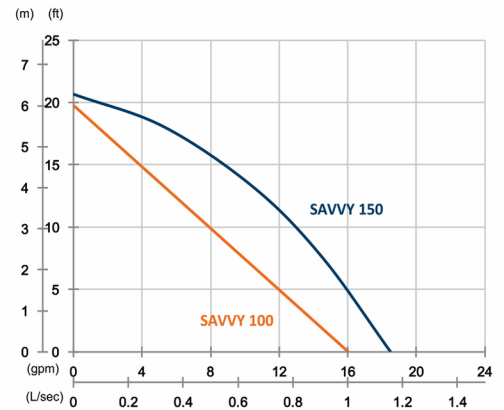
- Compact, lightweight, and easy-to-use design
- SAVVY 100/150 : Aluminum alloy outer case with lightweight top cover, impeller, and suction grids.
- SAVVY 200 : Stainless Steel 304 motor housing with lightweight top cover, pump casing, impeller, and suction grids.
- Air filled motor with Class F insulation.
- Thermal protection on motor.
- Built-in high torque capacitor.
- Triple seals design.
- Removable filter screen for easy maintenance.

SAVVY

100 150



SAVVY	100	150
Outlet	0.75" (20mm)	1" (20mm)
Rated Output	0.13HP (0.1kW)	0.2HP (0.15kW)
Shaft Speed	3450 rpm	3450 rpm
Solid Passage	0.2" (6mm)	0.2" (6mm)
Height	10.7" (273mm)	10.7" (273mm)
Diameter	Ø6.2" (158mm)	Ø6.2" (158mm)
Weight	7 lbs (3kg)	9 lbs (3.2kg)



SAVVY

200



SAVVY	200
Outlet	1.25" (20mm)
Rated Output	0.33HP (0.25kW)
Shaft Speed	3450 rpm
Solid Passage	0.2" (6mm)
Height	10.8" (275mm)
Diameter	Ø8" (204mm)
Weight	9 lbs (4kg)

