

JCS-M SERIE



G.P.T.CO
Gol Pump Technology Company



POMPE CENTRIFUGHE MONOGIRANTI AD ASSE NUDO



Single stage bare shaft centrifugal pumps



Pompes centrifuge arbre-nu monoturbine



Bombas centrifugas - un rodete - eje libre

GOL PUMPS TECHNOLOGY CO


JMS



**BARE - SHAFT CENTRIFUGAL MONO BLOCK PUMPS
CAST IRON PUMPS & SILICON CARBID MECHANICAL SEAL**

Series JCS-M

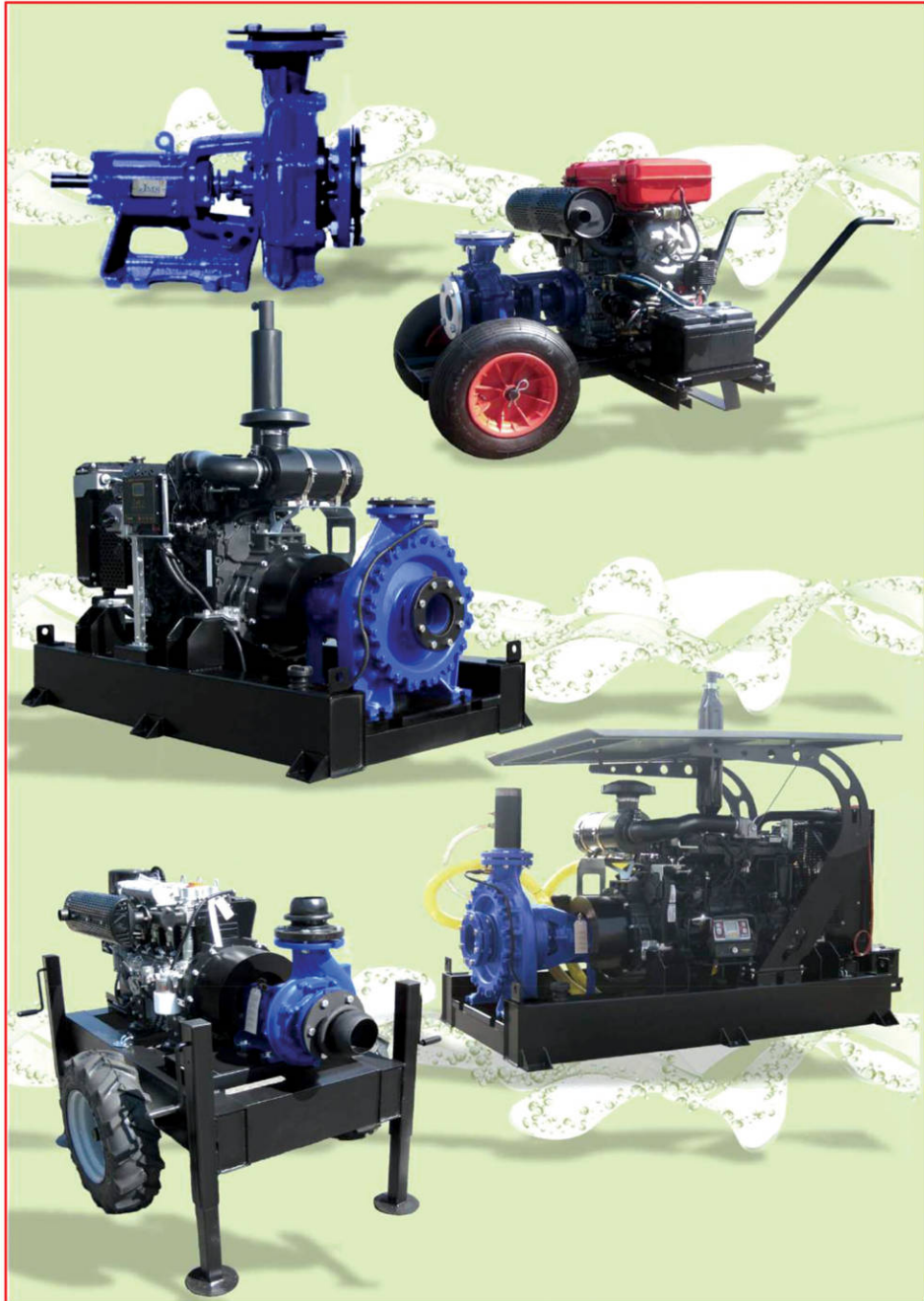




Series JCS-M

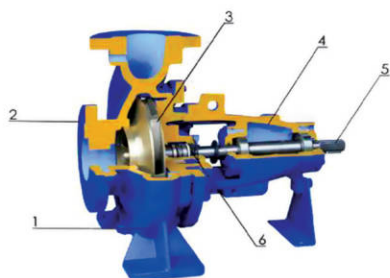
GOL PUMPS.COM

**BARE - SHAFT CENTRIFUGAL MONO BLOCK PUMPS
CAST IRON PUMPS & SILICON CARBID MECHANICAL SEAL**



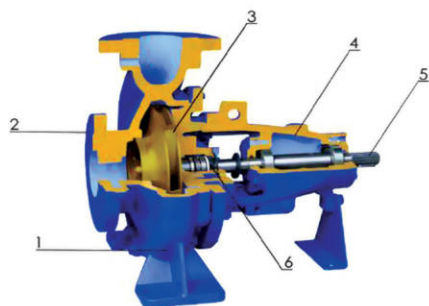
Le pompe centrifuge JCS-M vengono costruite in tre diverse versioni.
Centrifugal series JCS-M available in three different versions.
Pompes centrifuge JCS-M construits en trois versions différentes.
Bombas centrifugas JCS-M construyen en tres versiones diferente.

Pompe centrifughe monogiranti ad asse nudo
Single stage bare shaft centrifugal pumps
Pompes centrifuges arbre-nu monoturbin
Bombas centrifugas - un rodet - eje libre



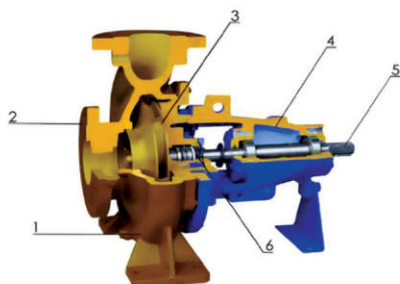
Serie JCS-M per liquidi non corrosivi
Series JCS-M for not corrosive liquids

- 1 CORPO POMPA - PUMP CASING**
Ghisa grigia a grana fine - Grey fine grained cast iron
- 2 COPERCHIO ASPIRAZIONE - SUCTION COVER**
Ghisa grigia a grana fine - Grey fine grained cast iron
- 3 GIRANTE - IMPELLER**
Ghisa grigia a grana fine - Grey fine grained cast iron
- 4 SUPPORTO - SUPPORT**
Ghisa grigia a grana fine - Grey fine grained cast iron
- 5 ALBERO - SHAFT**
Acciaio 38NCD4 - Steel 38NCD4
- 6 TENUTA MECCANICA - MECHANICAL SEAL**



Serie JCS-M/BRX per liquidi leggermente corrosivi
Series JCS-M/BRX for lightly corrosive liquids

- 1 CORPO POMPA - PUMP CASING**
Ghisa grigia a grana fine - Grey fine grained cast iron
- 2 COPERCHIO ASPIRAZIONE - SUCTION COVER**
Ghisa grigia a grana fine - Grey fine grained cast iron
- 3 GIRANTE - IMPELLER**
Bronzo - Bronze
- 4 SUPPORTO - SUPPORT**
Ghisa grigia a grana fine - Grey fine grained cast iron
- 5 ALBERO - SHAFT**
Acciaio inox Aisi 304 - Stainless Steel Aisi 304
- 6 TENUTA MECCANICA Viton - MECHANICAL SEAL Viton**



Serie JCS-M/TBX per liquidi non corrosivi
Series JCS-M/TBX for not corrosive liquids

- 1 CORPO POMPA - PUMP CASING**
Bronzo - Bronze
- 2 COPERCHIO ASPIRAZIONE - SUCTION COVER**
Bronzo - Bronze
- 3 GIRANTE - IMPELLER**
Bronzo - Bronze - Fonte - Bronze
- 4 SUPPORTO - SUPPORT**
Ghisa grigia a grana fine - Grey fine grained cast iron
- 5 ALBERO - SHAFT**
Acciaio inox Aisi 304 - Stainless Steel Aisi 304
- 6 TENUTA MECCANICA Viton - MECHANICAL SEAL Viton**



Series JCS-M

BARE - SHAFT CENTRIFUGAL MONO BLOCK PUMPS
CAST IRON PUMPS & SILICON CARBID MECHANICAL SEAL

Tipo Type		CS-M50A2S		Tipo Type		CS-M50A2BRX						Tipo Type		CS-M50A2TBX						
Girante - Impeller: Ø 210 mm																				
Apertura - Opening: 6 mm																				
Bocche pompa Ports pump	Giri pompa/1'	RPM	m3/h	9	12	15	18	21	24	27	30	33	36	42	48	54	60	66		
			G/min	40	53	67	80	93	107	120	134	147	160	187	214	240	267	294		
DNa	DNm		l/1'	150	200	250	300	350	400	450	500	550	600	700	800	900	1000	1100		
65 mm	50 mm	1450	H mt.	12.1	11.9	11.7	11.5	10.5	9.5	8.3	7	5.5	4							
			H feet	40	40	39	38	35	32	28	23	18	13							
			Hp ass.	1.2	1.2	1.4	1.5	1.6	1.7	1.8	1.9	2	2.1							
		1750	H mt.		17.7	17.2	17	16.2	15.5	14.2	13	11.7	10.5	7						
			H feet		59	57	54	52	47	43	39	35	23							
			Hp ass.		2.2	2.4	2.5	2.6	2.7	2.8	3	3.1	3.2	3.4						
		2000	H mt.			22.4	22.1	21.1	20.2	18.5	16.9	16	13.6	9.1	3.9					
			H feet			75	74	70	67	62	56	53	45	30	13					
			Hp ass.			3.5	3.7	3.8	4	4.1	4.4	4.6	4.7	5	5.2					
		2200	H mt.				28.2	28	27.2	26.5	25.7	25	23	22	18.7	15	10.5			
H feet					94	93	91	88	86	83	77	73	62	50	35					
Hp ass.					4.1	4.3	4.5	4.7	5	5.3	5.5	5.6	5.8	6.3	6.4					
2400	H mt.					32.3	31.4	30.5	29.7	27.9	26.1	22.2	17.8	12.4						
	H feet					108	105	102	99	93	87	74	59	41						
	Hp ass.					5	6	6.4	6.8	6.9	7.2	7.5	8.1	8.2						
2600	H mt.					37.9	36.9	35.8	34.8	32.7	30.6	26	20.9	14.6						
	H feet					126	123	119	116	109	102	87	70	49						
	Hp ass.					7.4	7.7	8.2	8.7	8.8	9.2	9.5	10.3	10.5						
2900	H mt.					49	48.5	47.7	47	45.7	44.5	41.5	38	32.3						
	H feet					163	162	159	157	152	148	138	127	108						
	Hp ass.					9.2	9.7	10	10.5	10.8	11.2	11.8	12.5	13						
* 3500	H mt.							70.8	69.8	68.8	68.4	68	64.8	62.0	56.8	52.0	46.8			
	H feet							236	232.667	229.333	228	226.667	216	206.667	189.333	173.333	156			
	Hp ass.							17.6	18.4	19.2	19.6	20	20.8	21.6	22.4	24.0	24.8			

Tipo Type		CS-M50B2S		Tipo Type		CS-M50B2BRX						Tipo Type		CS-M50B2TBX						
Girante - Impeller: Ø 200 mm																				
Apertura - Opening: 6 mm																				
Bocche pompa Ports pump	Giri pompa/1'	RPM	m3/h	9	12	15	18	21	24	27	30	33	36	42	48	54	60	66		
			G/min	40	53	67	80	93	107	120	134	147	160	187	214	240	267	294		
DNa	DNm		l/1'	150	200	250	300	350	400	450	500	550	600	700	800	900	1000	1100		
65 mm	50 mm	1450	H mt.	11	10.8	10.5	10.4	9.4	8.5	7.5	5.6									
			H feet	37	36	35	35	31	28	25	19									
			Hp ass.	1	1.1	1.3	1.4	1.5	1.6	1.7	1.8									
		1750	H mt.		16	15.5	15.3	14.3	13.3	12.3	11.2									
			H feet		53	52	51	48	44	41	37									
			Hp ass.		2	2.2	2.3	2.4	2.5	2.6	2.7									
		2000	H mt.			20.2	19.9	18.6	17.3	16	14.6									
			H feet			67	66	62	58	53	49									
			Hp ass.			3.2	3.4	3.5	3.7	3.8	4									
		2200	H mt.				25.8	25.3	24.6	23.9	23.2	22.5	20.5	19	15.5					
H feet					86	84	82	80	77	75	68	63	52							
Hp ass.					3.7	3.8	4.1	4.3	4.5	4.7	4.8	4.9	5.2							
2400	H mt.					29.2	28.3	27.5	26.7	24.5	22.5	18.4								
	H feet					97	94	92	89	82	75	61								
	Hp ass.					5.3	5.5	5.8	6	6.2	6.3	6.7								
2600	H mt.					34.2	33.3	32.3	31.3	28.8	26.4	21.6								
	H feet					114	111	108	104	96	88	72								
	Hp ass.					6.7	7	7.4	7.7	7.8	8	8.5								
2900	H mt.					45.1	44.5	43.9	43.2	42.3	41.5	38.5	33							
	H feet					150	148	146	144	141	138	128	110							
	Hp ass.					8.4	8.7	9	9.4	9.7	10	10.6	11.2							
* 3500	H mt.							64	63	62	61.6	61.2	57.2	53.2	49.2	44.8				
	H feet							213.333	210	206.667	205.333	204	190.667	177.333	164	149.333				
	Hp ass.							16	16.8	17.6	18	18.4	19.2	20.0	20.8	21.6				

* Optional in order with GG G-40 impeller material



Series JCS-M

BARE - SHAFT CENTRIFUGAL MONO BLOCK PUMPS
CAST IRON PUMPS & SILICON CARBID MECHANICAL SEAL

Tipo Type		CS-M65B1S								Tipo Type				CS-M65B1BRX								Tipo Type		CS-M65B1TBX							
Girante - Impeller: Ø 170 mm																															
Apertura - Opening: 16 mm																															
Bocche pompa Ports pump	DNa	DNm	Giri pompa/1'	RPM	Performance Data																										
					m3/h	21	27	30	36	42	48	54	60	66	72	78	84	96	102	108											
					G/min	93	120	134	160	187	214	240	267	294	320	347	374	427	454	481											
					l/1'	350	450	500	600	700	800	900	1000	1100	1200	1300	1400	1600	1700	1800											
80 mm	65 mm	1450	H mt.	9	8.6	8.3	7.7	6.7	5.5	3.9																					
			H feet	30	29	28	26	22	18	13																					
			Hp ass.	1.2	1.4	1.5	1.6	1.7	1.8	1.9																					
		1750	H mt.	13.7	13.3	12.9	12.9	11.4	10.4	9																					
			H feet	46	44	43	43	38	35	30																					
			Hp ass.	2	2.2	2.3	2.4	2.6	2.8	3																					
		2000	H mt.	17.7	17.4	16.9	16.1	15	13.8	12.3	10.6	8.6																			
			H feet	59	58	56	54	50	46	41	35	29																			
			Hp ass.	2.9	3.1	3.3	3.6	3.9	4.1	4.4	4.6	4.9																			
		2200	H mt.	21.8	21.6	21.1	20.4	19.2	18.1	16.5	15	13.1																			
			H feet	73	72	70	68	64	60	55	50	44																			
			Hp ass.	3.8	4	4.3	4.7	5	5.4	5.7	5.9	6.2																			
2400	H mt.				24.9	23.8	22.6	21.1	19.4	17.7	15.5	13.5																			
	H feet				83	79	75	70	65	59	52	45																			
	Hp ass.				5.9	6.7	6.7	7.1	7.4	7.8	8.2	8.4																			
2600	H mt.				29	27.8	26.4	24.7	22.7	20.7	18.1	15.8																			
	H feet				97	93	88	82	76	69	60	53																			
	Hp ass.				7.4	8	8.4	8.9	9.3	9.8	10.3	10.6																			
2900	H mt.				37.3	36.6	35.6	34.3	33	31.3	29.3	27.2	22.7	20	17																
	H feet				124	122	119	114	110	104	98	91	76	67	57																
	Hp ass.				9.5	10	10.6	11.2	11.7	12.3	12.7	13.2	13.9	14.2	14.5																
*3500	H mt.				54.8	54	53.2	51.6	51.6	51.6	48.6	45.6	41.6	38.8	36																
	H feet				183	180	177	172	172	172	162	152	139	129	120																
	Hp ass.				16	16.8	17.6	18.4	18.8	19.2	20	20.8	22.4	23.2	24																

Tipo Type		CS-M65D1S								Tipo Type				CS-M65D1BRX								Tipo Type		CS-M65D1TBX							
Girante - Impeller: Ø 160 mm																															
Apertura - Opening: 16 mm																															
Bocche pompa Ports pump	DNa	DNm	Giri pompa/1'	RPM	Performance Data																										
					m3/h	21	27	30	36	42	48	54	60	66	72	78	84	96	102	108											
					G/min	93	120	134	160	187	214	240	267	294	320	347	374	427	454	481											
					l/1'	350	450	500	600	700	800	900	1000	1100	1200	1300	1400	1600	1700	1800											
80 mm	65 mm	1450	H mt.	7.4	7	6.7	5.8	4.8	3.5	1.6																					
			H feet	25	23	22	19	16	12	5																					
			Hp ass.	1	1.2	1.3	1.4	1.5	1.6	1.7																					
		1750	H mt.	11.4	11	10.6	9.9	8.7	7.7	6.1																					
			H feet	38	37	35	33	29	26	20																					
			Hp ass.	1.5	1.8	1.9	2	2.2	2.3	2.4																					
		2000	H mt.	15	14.7	14	13	11.6	10.2	8.6	6.8	4.4																			
			H feet	50	49	47	43	39	34	29	23	15																			
			Hp ass.	2.3	2.5	2.7	3	3.2	3.4	3.6	3.8	4																			
		2200	H mt.	18.3	18.1	17.6	16.7	15.3	13.9	12.1	10.4	8.3																			
			H feet	61	60	59	56	51	46	40	35	28																			
			Hp ass.	3.1	3.3	3.5	3.9	4.1	4.3	4.6	4.7	5																			
2400	H mt.				20.5	19.2	17.8	17.3	14.4	12.3	9.9	7.7																			
	H feet				68	64	59	58	48	41	33	26																			
	Hp ass.				4.9	5.2	5.5	5.9	6.1	6.5	6.7	6.9																			
2600	H mt.				24	22.5	20.8	20.2	16.8	14.4	11.6	9																			
	H feet				80	75	69	67	56	48	39	30																			
	Hp ass.				6.2	6.5	6.9	7.4	7.7	8.2	8.5	8.7																			
2900	H mt.				31.3	30.4	29.3	27.7	26.2	24.3	21.8	19.6	14.4	11																	
	H feet				104	101	98	92	87	81	73	65	48	37																	
	Hp ass.				7.8	8.2	8.7	9.2	9.5	9.9	10.2	10.6	11	11.2																	
*3500	H mt.				45.6	44.8	44	42.4	41	39.6	37.2	34.8	30.8	27.6	24.4																
	H feet				152	149	147	141	137	132	124	116	103	92	81																
	Hp ass.				12	13.2	14.4	15.2	15.6	16	16.8	17.6	18.4	18.8	19.2																

* Optional in order with G G G-40 impeller material



Series JCS-M

BARE - SHAFT CENTRIFUGAL MONO BLOCK PUMPS
CAST IRON PUMPS & SILICON CARBID MECHANICAL SEAL

Tipo Type		CS-M80E3S		Tipo Type		CS-M80E3BRX		Tipo Type		CS-M80E3TBX									
Girante - Impeller: Ø 300 mm																			
Apertura - Opening: 9 mm																			
Bocche pompa Ports pump	Giri pompa/1'	m3/h	30	36	42	48	54	60	72	84	96	108	120	135	150	168			
			G/min	134	160	187	214	240	267	320	374	427	481	534	601	668	748		
DNa	DNm	RPM	1/1'	500	600	700	800	900	1000	1200	1400	1600	1800	2000	2250	2500	2800		
			H mt.	28.2	28.1	28	27.3	26.6	26	24	22	19.5	16						
100 mm	80 mm	1450	H feet	94	94	93	91	89	87	80	73	65	53						
			Hp ass.	7.5	8	8.5	9	9.5	10	10.8	11.7	12.5	13						
		1750	H mt.	42	42	41.5	41	40.5	39.5	38	35.5	33	29.5						
			H feet	140	140	138	137	135	132	127	118	110	98						
			Hp ass.	12	12.8	13.6	14.4	15.2	16	17	18.3	19.5	20.5						
		2000	H mt.			54.1	53.4	52.8	51.5	49.5	46.2	43	38.4	33.9	27.3				
			H feet			180	178	176	172	165	154	143	128	113	91				
			Hp ass.			20.2	21.4	22.6	23.8	25.3	27.2	29	30.5	32	33.5				
		2200	H mt.			65.5	65	64.5	64	62.5	60.5	58	55	52	48				
H feet				218	217	215	213	208	202	193	183	173	160						
Hp ass.				24.5	25.7	27	28.3	30.5	33	35	37	38.5	40.5						
2400	H mt.				77.2	76.6	76	74.2	71.8	68.9	65.3	61.7	57	49.8					
	H feet				257	255	253	247	239	230	218	206	190	166					
	Hp ass.				33.2	34.9	36.6	39.4	42.7	45.3	47.9	49.8	52.4	55					
2600	H mt.				90.6	89.9	89.2	87.1	84.3	80.8	76.6	72.4	66.9	58.5					
	H feet				302	300	297	290	281	269	255	241	223	195					
	Hp ass.				42.3	44.4	46.6	50.2	54.3	57.6	60.9	63.4	66.7	69.9					
2900	H mt.						113	112	112	109	106	104	96	92	88				
	H feet						376	375	373	364	355	347	320	307	293				
	Hp ass.						60	64	68	72	76	80	86	90	94				
* 3500	H mt.						168	168	166	164	162	158	152	147	142				
	H feet						560	560	553	547	540	527	507	490	473				
	Hp ass.						96	102.4	108.8	115.2	121.6	128	136	141.2	146.4				

Tipo Type		CS-M80E2S		Tipo Type		CS-M80E2BRX		Tipo Type		CS-M80E2TBX								
Girante - Impeller: Ø 180 mm																		
Apertura - Opening: 18 mm																		
Bocche pompa Ports pump	Giri pompa/1'	m3/h	48	54	60	72	84	96	108	120	135	150	168					
			G/min	214	240	267	320	374	427	481	534	601	668	748				
DNa	DNm	RPM	1/1'	800	900	1000	1200	1400	1600	1800	2000	2250	2500	2800				
			H mt.	8.5	8	7.5	6	4	1.5									
100 mm	80 mm	1450	H feet	28	27	25	20	13	5									
			Hp ass.	2.3	2.4	2.5	2.6	2.7	3									
		1750	H mt.		13	12	11	8.7	6.5	4								
			H feet		43	40	37	29	22	13								
			Hp ass.		4	4.3	4.6	5	5.1	5.2								
		2000	H mt.			17	15.5	14	11.5	8.5	5.5							
			H feet			57	52	47	38	28	18							
			Hp ass.			6	6.5	7	7.3	7.6	8							
		2200	H mt.				20	18	16	13	10.5	6						
H feet					67	60	53	43	35	20								
Hp ass.					8	9	9.5	10	10.3	10.5								
2400	H mt.					23	21	18	15.5	11	7							
	H feet					77	70	60	52	37	23							
	Hp ass.					11	11.5	12	12.5	13	13.3							
2600	H mt.					28.5	26	24	21	17	13	7						
	H feet					95	87	80	70	57	43	23						
	Hp ass.					14	15	15.5	16	16.5	17	17.5						
2900	H mt.					36.5	34.5	32	29.5	25.5	21	13						
	H feet					122	115	107	98	85	70	43						
	Hp ass.					18	19	20	21	22	23	23.3						
* 3500	H mt.							52	48	44	39	35						
	H feet							173	160	147	131	116						
	Hp ass.							32	34.4	36.8	38	40						

* Optional in order with G G G-40 impeller material



Series JCS-M

BARE - SHAFT CENTRIFUGAL MONO BLOCK PUMPS
CAST IRON PUMPS & SILICON CARBID MECHANICAL SEAL

Tipo Type		CS-M80B4S										Tipo Type				CS-M80B4BRX						Tipo Type		CS-M80B4TBX					
Girante - Impeller: Ø 258 mm																													
Apertura - Opening: 18 mm																													
Bocche pompa Ports pump	Giri pompa/1'	m3/h	42	48	60	72	90	108	120	132	144	162	168	180	198	216													
																		DNa	DNm	RPM	G/min	I/1'	H mt.	H feet	Hp ass.				
100 mm	80 mm	1450	H mt.	32.2	23	22.7	22.5	21.9	20.6	18.9	16.7																		
			H feet	107	77	76	75	73	69	63	56																		
			Hp ass.	6.3	6.5	6.6	7.4	8.2	9	9.6	10																		
		1750	H mt.		32.6	32.2	32	31.8	31.4	30.3	29.9	27.2																	
			H feet		109	107	107	106	105	101	100	91																	
			Hp ass.		10.4	10.9	11.2	12.7	14	15	15.6	16.6																	
		2000	H mt.		42	41.7	41.3	39.9	40.4	40.1	39.6	38.9	35.3																
			H feet		140	139	138	133	135	134	132	130	118																
			Hp ass.		15.6	16	16.4	16.8	19	21	22	23.4	24.8																
		2200	H mt.			50.8	50	49.1	48.4	47.6	48.2	47.9	47.5	47	42														
			H feet			169	167	164	161	159	161	160	158	157	140														
			Hp ass.			20.8	21.6	22.4	24	26	28	29	30.1	31	33.6														
2400	H mt.				60	58	57	56.5	56	55.5	55	54.5	54																
	H feet				200	193	190	188	187	185	183	182	180																
	Hp ass.				27.5	28.4	30.7	32.8	34.3	36	38	39.9	41.6																
2600	H mt.				68.8	68	67	66	65.3	64	61.9	60	58.4																
	H feet				229	227	223	220	218	213	206	200	195																
	Hp ass.				36.8	38.5	40	42.2	44.8	49.2	50.4	52.3	55.2																
2900	H mt.					86	85.1	84.3	83.1	81.7	79	78	77.4	73.1															
	H feet					287	284	281	277	272	263	260	258	244															
	Hp ass.					50.4	54	54.4	60	61.6	64.2	66.5	68.8	75.2															
* 3500	H mt.					130.4	129.6	128.8	128.4	128	127.6	126.8	127.2	126.4	125.6														
	H feet					435	432	429	428	427	425	423	424	421	419														
	Hp ass.					83.2	85.2	87.2	88.4	89.6	95.6	100.8	101.6	106.8	112														

Tipo Type		CS-M80C4S										Tipo Type				CS-M80C4BRX						Tipo Type		CS-M80C4TBX					
Girante - Impeller: Ø 248 mm																													
Apertura - Opening: 18 mm																													
Bocche pompa Ports pump	Giri pompa/1'	m3/h	42	48	60	72	90	108	120	132	144	162	168	180	198	216													
																		DNa	DNm	RPM	G/min	I/1'	H mt.	H feet	Hp ass.				
100 mm	80 mm	1450	H mt.	19.6	19.3	19	18.8	18.4	17.4	16																			
			H feet	65	64	63	63	61	58	53																			
			Hp ass.	4.8	5	5.2	5.7	6.4	7	7.5																			
		1750	H mt.		27.6	27.1	26.9	26.8	26.5	25.8	25.2																		
			H feet		92	90	90	89	88	86	84																		
			Hp ass.		8.1	8.5	8.7	9.8	10.9	11.5	12.1																		
		2000	H mt.		35.5	35	34.8	34.5	34	33.8	33	32.7																	
			H feet		118	117	116	115	113	110	109																		
			Hp ass.		12	12.3	12.7	13	14.7	16.3	16.9	18.1																	
		2200	H mt.			42.7	42	41.4	41	40.8	40.6	40.2	39.9	39.6															
			H feet			142	140	138	137	136	135	134	133	132															
			Hp ass.			16.1	16.7	17.4	19.6	21.3	21.7	22.3	23.1	24															
2400	H mt.			50.7	50	49	48	47.7	47.5	47.1	46.5	46	45.6																
	H feet			169	167	163	160	159	158	157	155	153	152																
	Hp ass.			21	22	23	24	25.5	27	27.9	29.3	31.8	32.4																
2600	H mt.				58	57	56.5	56	55	54	52.2	50	49.3																
	H feet				193	190	188	187	183	180	174	167	164																
	Hp ass.				28.5	30	31	33	34.8	37.6	39.2	41.3	43																
2900	H mt.					72.5	71.8	71	70	68.8	67	65.8	65.2	61.5															
	H feet					242	239	237	233	229	223	219	217	205															
	Hp ass.					39	40.6	42.2	47	48	50.5	52	54	59															
* 3500	H mt.								108.4	108	107.6	107.4	106.8	107.2	106.6	106													
	H feet								361	360	359	358	356	357	355	353													
	Hp ass.								68	68.8	69.6	74	78.4	78.4	82.8	87.2													

* Optional in order with GG G-40 impeller material



BARE - SHAFT CENTRIFUGAL MONO BLOCK PUMPS
CAST IRON PUMPS & SILICON CARBID MECHANICAL SEAL

Series JCS-M

Tipo Type		CS-M150BS		Tipo Type		CS-M150BRX		Tipo Type		CS-M150BTX											
Girante - Impeller: Ø 195 mm																					
Apertura - Opening: 32 mm																					
Bocche pompa Ports pump	DNa	DNm	Giri pompa/1'	RPM	m3/h	96	108	120	135	150	165	180	195	210	225	240	270	300			
					G/min	427	481	534	601	668	734	801	868	935	1,001	1,068	1,202	1,335			
				I/1'		1600	1800	2000	2250	2500	2750	3000	3250	3500	3750	4000	4500	5000			
150 mm	150 mm	1450	H mt.	8	7.5	7	6	5.5													
			H feet	27	25	23	20	18													
			Hp ass.	4	4.5	4.8	5	5.3													
		1750	H mt.	12.8	12	11	10.5	9	8	7	6										
			H feet	43	40	37	35	30	27	23	20										
			Hp ass.	6	6.5	7	7.3	7.5	7.6	7.8	8										
		2000	H mt.	16	15	14.5	13.5	12.5	11.5	11											
			H feet	53	50	48	45	42	38	37											
			Hp ass.	9.5	10	10.8	11	11.3	11.5	11.8											
		2300	H mt.			22.5	21.5	21	20	19	17.5	16.5	15	12.5							
H feet				75	72	70	67	63	58	55	50	42									
Hp ass.				15	15.5	16	17	17.3	17.5	17.6	17.8	18									
2650	H mt.			27	26.5	26	25	24.5	22.5	21.5	20	18.5									
	H feet			90	88	87	83	82	75	72	67	62									
	Hp ass.			20	21	22	23	23.5	23.6	23.7	23.8	24									
2900	H mt.			31	30	29.5	28.5	28	27	25.5	24	23									
	H feet			103	100	98	95	93	90	85	80	77									
	Hp ass.			23.5	25	26	26.5	27.5	28	28.3	28.5	29									
* 3500	H mt.									32	30	29	28	24	22						
	H feet									107	100	97	93	80	73						
	Hp ass.									32	36	37.2	38.4	40	42.4						

Tipo Type		CS-M150AS		Tipo Type		CS-M150ABRX		Tipo Type		CS-M150ATX										
Girante - Impeller: Ø 210 mm																				
Apertura - Opening: 32 mm																				
Bocche pompa Ports pump	DNa	DNm	Giri pompa/1'	RPM	m3/h	96	108	120	135	150	165	180	195	210	225	240	270	300		
					G/min	427	481	534	601	668	734	801	868	935	1,001	1,068	1,202	1,335		
				I/1'		1600	1800	2000	2250	2500	2750	3000	3250	3500	3750	4000	4500	5000		
150 mm	150 mm	1450	H mt.	10	9.5	9	8.5	7.5	6.5											
			H feet	33	32	30	28	25	22											
			Hp ass.	6	6.1	6	6.4	6.5	6.8											
		1750	H mt.		15	14.5	14	13	12	10.5	9	7.5								
			H feet		50	48	47	43	40	35	30	25								
			Hp ass.		9.5	9.7	10	10.5	10.7	11	11.1	11.2								
		2000	H mt.		19.5	19.3	19	18	17.5	16	14.5	13.5								
			H feet		65	64	63	60	58	53	48	45								
			Hp ass.		13.5	14	14.5	14.8	15.1	15.5	15.6	15.8								
		2300	H mt.			26	26.8	27.6	27	24	22.5	21	20	19	15.6					
H feet				87	89	92	90	80	75	70	67	63	52							
Hp ass.				20	20.6	21.2	22.4	22.7	23	23.4	23.7	24	24.5							
2650	H mt.			34	33.5	32.5	31	30	29.5	29	27.5	26.5	23.5							
	H feet			113	112	108	103	100	98	97	92	88	78							
	Hp ass.			28	28.5	29.2	29.8	31	31.3	31.5	32	33	33.2							
2900	H mt.			39	38	37.5	37	36.5	35.5	34.5	33	32	29							
	H feet			130	127	125	123	122	118	115	110	107	97							
	Hp ass.			32.5	34.5	35	36	37	38	39	39.2	39.5	39.5							
* 3500	H mt.									40	38	37	36	34	30					
	H feet									133	127	123	120	113	100					
	Hp ass.									48	48.8	48.4	48	51.2	52					



BARE - SHAFT CENTRIFUGAL MONO BLOCK PUMPS
CAST IRON PUMPS & SILICON CARBID MECHANICAL SEAL

Series JCS-M

Tipo Type		CS-M12540ACS															
Girante - Impeller: Ø 400 mm																	
Bocche pompa Ports pump	Giri pompa/1'	m3/h	50	100	150	200	250	300	325	350	400						
		G/min	222	445	668	890	1,113	1,335	1,446	1,558	1,780						
DNa	DNm	RPM	1/1'	833	1666	2500	3333	4167	5000	5416	5833	6666					
150 mm	125 mm	1450	H mt.	59.5	59.5	58	56	52.5	46	43.5							
			H feet	198	198	193	187	175	153	145							
			Hp ass.	30	41	50	57	64	70	75							
	1750	H mt.	86	86	85.5	84.5	82	77	74	70	62						
		H feet	287	287	285	282	273	257	247	233	207						
		Hp ass.	50	66	79	91	102	112	115	122	130						

Tipo Type		CS-M12540ACS															
Girante - Impeller: Ø 405 mm																	
Bocche pompa Ports pump	Giri pompa/1'	m3/h	84	96	108	120	132	150	180	192	210	240	270	300	330	400	
		G/min	374	427	481	534	587	668	801	854	935	1,068	1,202	1,335	1,469	1,780	
DNa	DNm	RPM	1/1'	1400	1600	1800	2000	2200	2500	3000	3200	3500	4000	4500	5000	6666	
150 mm	125 mm	1450	H mt.	59.2	59	59	58.9	58.7	58.2	57.2	56.7	55.7	53.5	50.5	46.5	42.5	
			H feet	197	197	197	196	196	194	191	189	186	178	168	155	142	
			Hp ass.	37	39.2	41.2	43.2	45.2	48.2	53	54.9	57.6	61.6	65.6	69.4	72.5	
		1750	H mt.	86.5	86.5	86	85.8	85.7	85.5	85	84.5	84	81.5	79.5	76.5	72.5	61
			H feet	288	288	287	286	286	285	283	282	280	272	265	255	242	203
			Hp ass.	65	66	67	72	73.5	75.9	84.5	87.5	93	99	103.5	108	115	129
	2000	H mt.	113.5	113	113	112	112	111.5	111	110.5	110	109	106	103	99	87.5	
		H feet	378	377	377	373	373	372	370	368	367	363	353	343	330	292	
		Hp ass.	94	97	98	99.5	107	109	113	119	126	138	147	153	161	175	

Tipo Type		CS-M12531BCS															
Girante - Impeller: Ø 310 mm																	
Bocche pompa Ports pump	Giri pompa/1'	m3/h	84	96	108	120	132	150	180	192	210	240	270	300	330	400	
		G/min	374	427	481	534	587	668	801	854	935	1,068	1,202	1,335	1,469	1,780	
DNa	DNm	RPM	1/1'	1400	1600	1800	2000	2200	2500	3000	3200	3500	4000	4500	5000	6666	
150 mm	125 mm	1450	H mt.	31.8	31.7	31.6	31.5	31.1	30.6	29.1	28.5	27.3	24.9	22	18.5	14.3	
			H feet	106	106	105	105	104	102	97	95	91	83	73	62	48	
			Hp ass.	17.3	18.5	19.6	20.8	21.6	22.8	25	25.8	26.7	28	29	29.9	30	
		1750	H mt.	46.5	46	46.2	46	45.8	45	44.5	43	42	41.5	39.5	36	32	21
			H feet	155	153	154	153	153	150	148	143	140	138	132	120	107	70
			Hp ass.	28.5	30.3	32.5	34.4	36.5	38	40	42	44	45.5	46.9	49	51	52.7
	2000	H mt.	61	60.7	60.5	60.4	60	59.5	58.7	58.5	58	54.8	54	51.5	47	39.5	
		H feet	203	202	202	201	200	198	196	195	193	183	180	172	157	132	
		Hp ass.	39.5	42.5	45	48.5	51	54.5	58	58.5	59.6	65.5	67.8	70	73	77	
	2250	H mt.	77.5	77	76.5	76	76	75.5	75	74.5	74	73	69	68	65	57	
		H feet	258	257	255	253	252	252	250	248	247	243	230	227	217	190	
		Hp ass.	56	60	64	69	72	77	82	83	84	93	96	99	103	104	
	2500	H mt.	95.5	95	94	93.5	93.5	93	92	91.5	91	90	85	84	80	70	
		H feet	318	317	313	312	312	310	307	305	303	300	283	280	267	233	
		Hp ass.	74	77	82	87	94	98	105	112	113.5	115	127	132	136	141	

Tipo Type		CS-M12531CCS															
Girante - Impeller: Ø 295 mm																	
Bocche pompa Ports pump	Giri pompa/1'	m3/h	84	96	108	120	132	150	180	192	210	240	270	300	330	400	
		G/min	374	427	481	534	587	668	801	854	935	1,068	1,202	1,335	1,469	1,780	
DNa	DNm	RPM	1/1'	1400	1600	1800	2000	2200	2500	3000	3200	3500	4000	4500	5000	6666	
150 mm	125 mm	1450	H mt.	27.9	27.8	27.7	27.6	27.2	26.5	24.9	24	22.8	20	17	13.5	9.5	
			H feet	93	93	92	92	91	88	83	80	76	67	57	45	32	
			Hp ass.	15.6	16.5	17.4	18.2	19	19.9	21.5	22	22.7	23.5	24	24.4	24.5	
		1750	H mt.	41	40.5	40.4	40.3	40	39.5	38.5	37.2	36.3	34.5	30.5	29	16.7	14
			H feet	137	135	135	134	133	132	128	124	121	115	102	97	56	47
			Hp ass.	26	27.4	28.9	30.5	32	33	35	36	37.5	39	40.4	41.3	42	43
	2000	H mt.	54	53.5	53	52.7	52.5	52	51.5	51	50.3	47.4	45	39.8	37.8	21.5	
		H feet	180	178	177	176	175	173	172	170	168	158	150	133	126	72	
		Hp ass.	36	38.7	40.8	43	45.5	47.7	49	50.7	53.7	55.9	58	60	61.5	63	
	2250	H mt.	68.5	68	67.5	67	66.5	66	65.5	65	64.5	63.5	60	57	50	37	
		H feet	228	227	225	223	222	220	218	217	215	212	200	190	167	123	
		Hp ass.	48.5	51	55	58	61	64.7	68	69.5	72	76	79.5	82	85	88	
	2500	H mt.	84.5	84	83.8	83	82.5	82	81	80.5	80	79.5	78	74	70	55	
		H feet	282	280	279	277	275	273	270	268	267	265	260	247	233	183	
		Hp ass.	64	66.4	70	68	79.5	83.5	88.5	92	95	98	104	108	112	118	



Series JCS-M

BARE - SHAFT CENTRIFUGAL MONO BLOCK PUMPS
CAST IRON PUMPS & SILICON CARBID MECHANICAL SEAL

Tipo Type		CS-M125400ACS																	
Bocche pompa Ports pump		Giri pompa/1'	Girante - Impeller: Ø 400 mm																
DNa	DNm		RPM	m3/h	50	100	150	200	250	300	325	350	400						
150 mm	125 mm	1450	G/min	222	445	668	890	1,113	1,335	1,446	1,558	1,780							
			l/1'	833	1666	2500	3333	4167	5000	5416	5833	6666							
			H mt.	59.5	59.5	58	56	52.5	46	43.5									
		H feet	198	198	193	187	175	153	145										
		Hp ass.	30	41	50	57	64	70	75										
		1750	H mt.	86	86	85.5	84.5	82	77	74	70	62							
H feet	287		287	285	282	273	257	247	233	207									
Hp ass.	50		66	79	91	102	112	115	122	130									

Tipo Type		CS-M12540ACS																	
Bocche pompa Ports pump		Giri pompa/1'	Girante - Impeller: Ø 405 mm																
DNa	DNm		RPM	m3/h	84	96	108	120	132	150	180	192	210	240	270	300	330	400	
150 mm	125 mm	1450	G/min	374	427	481	534	587	668	801	854	935	1,068	1,202	1,335	1,469	1,780		
			l/1'	1400	1600	1800	2000	2200	2500	3000	3200	3500	4000	4500	5000	5500	6666		
			H mt.	59.2	59	59	58.9	58.7	58.2	57.2	56.7	55.7	53.5	50.5	46.5	42.5			
		1750	H feet	197	197	197	196	196	194	191	189	186	178	168	155	142			
			Hp ass.	37	39.2	41.2	43.2	45.2	48.2	53	54.9	57.6	61.6	65.6	69.4	72.5			
			H mt.	86.5	86.5	86	85.8	85.7	85.5	85	84.5	84	81.5	79.5	76.5	72.5	61		
		2000	H feet	288	288	287	286	286	285	283	282	280	272	265	255	242	203		
			Hp ass.	65	66	67	72	73.5	75.9	84.5	87.5	93	99	103.5	108	115	129		
			H mt.	113.5	113	113	112	112	111.5	111	110.5	110	109	106	103	99	87.5		
		2000	H feet	378	377	377	373	373	372	370	368	367	363	353	343	330	292		
			Hp ass.	94	97	98	99.5	107	109	113	119	126	138	147	153	161	175		

Tipo Type		CS-M15040ACS																	
Bocche pompa Ports pump		Giri pompa/1'	Girante - Impeller: Ø 415 mm																
DNa	DNm		RPM	m3/h	132	150	180	210	240	270	300	330	360	390	420	450	480	500	575
200 mm	150 mm	1450	G/min	587	668	801	935	1,068	1,202	1,335	1,469	1,602	1,736	1,869	2,003	2,136	2,225	2,559	
			l/1'	2200	2500	3000	3500	4000	4500	5000	5500	6000	6500	7000	7500	8000	8333	9583	
			H mt.	58.8	58.7	58.5	57.9	57	55.5	54	52	49.5	47	44	41	37.5			
		1750	H feet	196	196	195	193	190	185	180	173	165	157	147	137	125			
			Hp ass.	50.9	54.2	59	64	68.6	72.5	76	79.6	82.6	85.6	83	90	91.2			
			H mt.	85.5	85.5	85.5	85	85	84	82.5	80.5	79	76	74	70	68	65	55	
		1750	H feet	285	285	285	283	283	280	275	268	263	253	247	233	227	217	183	
			Hp ass.	85	90	97	104	110	120	125	130	135	140	147	150	154	156	162	

Tipo Type		CS-M200ES																	
Bocche pompa Ports pump		Giri pompa/1'	Girante - Impeller: Ø 415 mm																
DNa	DNm		RPM	m3/h	180	210	240	270	300	330	360	390	420	480	540	600			
200 mm	200 mm	1000	G/min	801	935	1,068	1,202	1,335	1,469	1,602	1,736	1,869	2,003	2,136	2,403	2,670			
			l/1'	3000	3500	4000	4500	5000	5500	6000	6500	7000	8000	9000	10000				
			H mt.	11	10.9	10.8	10.5	10.2	9.4	9.1	8.5	7.8							
		1450	H feet	37	36	36	35	34	31	30	28	26							
			Hp ass.	10.9	11.7	12.4	12.9	13.4	13.7	14	14.1	14.2							
			H mt.			21.6	21.4	21.2	20.8	20.5	20	19.2	17.4	15					
		1800	H feet			72	71	71	69	68	67	64	58	50					
			Hp ass.			31.3	32.6	34	35.8	36.8	37.9	39	40.7	41.7					
			H mt.					32.7	32.5	32.4	31.9	31.7	30.5	28.4	25				
		1800	H feet					109	108	108	106	106	102	95	83				
			Hp ass.					58.5	61.7	64	66.5	68.5	72	75	76				

Tipo Type		CS-M200FS																	
Bocche pompa Ports pump		Giri pompa/1'	Girante - Impeller: Ø 415 mm																
DNa	DNm		RPM	m3/h	180	210	240	270	300	330	360	390	420	480	540	600			
200 mm	200 mm	1000	G/min	801	935	1,068	1,202	1,335	1,469	1,602	1,736	1,869	2,003	2,136	2,403	2,670			
			l/1'	3000	3500	4000	4500	5000	5500	6000	6500	7000	8000	9000	10000				
			H mt.	9.7	9.5	9.3	9	8.7	8.2	7.8	7.1	6.5							
		1450	H feet	32	32	31	30	29	27	26	24	22							
			Hp ass.	9.8	10.3	11	11.5	12	12.3	12.5	12.5	12.5							
			H mt.			19.8	19.5	19.3	18.9	18.5	17.9	17.2	15.5	13.4					
		1800	H feet			66	65	64	63	62	60	57	52	45					
			Hp ass.			28.3	29.7	31	32.1	33.5	34.4	35.3	36.7	37.2					
			H mt.					30.5	30.3	30	29.6	29	27.5	25.2	21.4				
		1800	H feet					102	101	100	99	97	92	84	71				
			Hp ass.					54	56	58	60	62	65	67	67				



BARE - SHAFT CENTRIFUGAL MONO BLOCK PUMPS
CAST IRON PUMPS & SILICON CARBID MECHANICAL SEAL

Series JCS-M

Tipo Type		CS-M200GS														
Bocche pompa Ports pump	Giri pompa/1'	m3/h	180	210	240	270	300	330	360	390	420	480	540	600		
			G/min	801	935	1,068	1,202	1,335	1,469	1,602	1,736	1,869	2,136	2,403	2,670	
DNa	DNm	RPM	l/1'	3000	3500	4000	4500	5000	5500	6000	6500	7000	8000	9000	10000	
200 mm	200 mm	1000	H mt.	9.1	8.9	8.7	8.4	8.1	7.6	7.1						
			H feet	30	30	29	28	27	25	24						
			Hp ass.	8.9	9.6	10	10.5	10.8	11	11.2						
		1450	H mt.			18	17.7	17.4	16.9	16.4	15.9	15.2	13.6	11.4		
			H feet			60	59	58	56	55	53	51	45	38		
			Hp ass.			26	27	28	29	30	30.8	31.5	32.6	33		
1800	H mt.					27.5	27.1	26.8	26.2	25.7	24	21.7	18			
	H feet					92	90	89	87	86	80	72	60			
	Hp ass.					48	49.2	51.6	53	54.5	57.4	59	59			

Tipo Type		CS-M200IS													
Bocche pompa Ports pump	Giri pompa/1'	m3/h	240	270	300	330	360	390	420	480	540	600			
			G/min	1,068	1,202	1,335	1,469	1,602	1,736	1,869	2,136	2,403	2,670		
DNa	DNm	RPM	l/1'	4000	4500	5000	5500	6000	6500	7000	8000	9000	10000		
200 mm	200 mm	1000	H mt.	6.7		6		5							
			H feet	22		20		17							
			Hp ass.	7.6		8.1		8.2							
		1450	H mt.	14	13.7	13.3	12.7	12.2	11.6	10.8	9.2	7.2			
			H feet	47	46	44	42	41	39	36	31	24			
			Hp ass.	20	20.9	21.5	22.1	22.6	23.1	23.3	24	24.2			
1800	H mt.			20.7		19.8		18.6	16.8	14	9.8				
	H feet			69		66		62	56	47	33				
	Hp ass.			37		40		42	43.7	44	43.7				

Tipo Type		CS-M25017S													
Bocche pompa Ports pump	Giri pompa/1'	m3/h	300	330	360	420	480	540	600	660	720	840	900	1020	
			G/min	1,335	1,469	1,602	1,869	2,136	2,403	2,670	2,937	3,204	3,738	4,005	4,539
DNa	DNm	RPM	l/1'	5000	5500	6000	7000	8000	9000	10000	11000	12000	14000	15000	17000
250 mm	250 mm	1750	H mt.				21.8	21.8	21.4	21.1	20.5	19.7	17.4	15.9	12.3
			H feet				73	73	71	70	68	66	58	53	41
			Hp ass.				58.2	59	60.4	62.2	64	64.8	65.8	65	62

Tipo Type		CS-M200460DS												
Girante - Impeller: Ø 460 mm														
Bocche pompa Ports pump	Giri pompa/1'	m3/h	450	480	540	600	720	840	960					
			G/min	2,003	2,136	2,403	2,670	3,204	3,738	4,272				
DNa	DNm	RPM	l/1'	7500	8000	9000	10000	12000	14000	16000				
300 mm	250 mm	1450	H mt.	75	74		71	68	62	51				
			H feet	250	247	242	237	227	207	170				
			Hp ass.	195	205	208	210	240	247	256				
		1750	H mt.			108	107.64	107.28	106.92	106.56				
			H feet			360	359	358	356	355				
			Hp ass.			336.96	341.28	345.6	349.92	354.24				

Tipo Type		CS-M200500DS												
Bocche pompa Ports pump	Giri pompa/1'	m3/h	450	480	600	720	840	960	1080	1200				
			G/min	2,003	2,136	2,670	3,204	3,738	4,272	4,806	5,340			
DNa	DNm	RPM	l/1'	7500	8000	10000	12000	14000	16000	18000	20000			
300 mm	250 mm	1450	H mt.	90	90	89	86	83	77	69				
			H feet	300	300	297	287	277	257	230				
			Hp ass.	245	260	275	300	320	348	390				
		1750	H mt.			129.6	129.6	129.6	129.6	128.88	128.16			
			H feet			432	432	432	432	430	427			
			Hp ass.			423.36	429.84	436.32	449.28	462.24	475.2			



Tipo Type CS-M300340DS

Bocche pompa Ports pump	Giri pompa/1'	RPM	m3/h	600	720	840	960	1080	1200	1320	1440	
			DNa	DNm	G/min	267	3,204	3,738	4,272	4,806	5,340	5,874
			l/1'	1000	12000	14000	16000	18000	20000	22000	24000	
300 mm	300 mm	1450	H mt.	34	32	30	28	25	22	19		
			H feet	113	107	100	93	83	73	63		
			Hp ass.	115	129	137	142	142	142	142		
		1750	H mt.						48.96	47.52	46.08	
			H feet						163	158	154	
			Hp ass.						198.72	210.816	222.912	

Tipo Type CS-M300285DS

Bocche pompa Ports pump	Giri pompa/1'	RPM	m3/h	450	600	750	900	1050	1200	1350	1500	
			DNa	DNm	G/min	2,003	2,670	3,338	4,005	4,673	5,340	6,008
			l/1'	7500	10000	12500	15000	17500	20000	22500	25000	
300 mm	300 mm	1450	H mt.	33	32	31	28	25	22	18		
			H feet	110	107	103	93	83	73	60		
			Hp ass.	101	105	113	120	124	125	125		
		1750	H mt.				47.52	46.8	46.08	45.36	44.64	
			H feet				158	156	154	151	149	
			Hp ass.				174.528	177.984	181.44	188.352	195.264	

Tipo Type CS-M300315DS

Bocche pompa Ports pump	Giri pompa/1'	RPM	m3/h	450	600	750	900	1050	1200	1350	1500	
			DNa	DNm	G/min	2,003	2,670	3,338	4,005	4,673	5,340	6,008
			l/1'	7500	10000	12500	15000	17500	20000	22500	25000	
300 mm	300 mm	1450	H mt.	35	34	32	31	27	25	22	17	
			H feet	117	113	107	103	90	83	73	57	
			Hp ass.	113	120	125	129	136	138	143	143	
		1750	H mt.				50.4	49.68	48.96	47.52	46.08	
			H feet				168	166	163	158	154	
			Hp ass.				195.264	201.312	207.36	211.68	216	

Tipo Type CS-M300345DS

Bocche pompa Ports pump	Giri pompa/1'	RPM	m3/h	450	600	750	900	1050	1200	1350	1500	
			DNa	DNm	G/min	2,003	2,670	3,338	4,005	4,673	5,340	6,008
			l/1'	7500	10000	12500	15000	17500	20000	22500	25000	
300 mm	300 mm	1450	H mt.	37	34	35	34	31	27	24	18	
			H feet	123	113	117	113	103	90	80	60	
			Hp ass.	120	126	137	147	150	154	155	163	
		1750	H mt.				53.28	51.12	48.96	49.68	50.4	
			H feet				178	170	163	166	168	
			Hp ass.				207.36	212.544	217.728	227.232	236.736	



BARE - SHAFT CENTRIFUGAL MONO BLOCK PUMPS CAST IRON PUMPS & SILICON CARBID MECHANICAL SEAL

Series JCS-M

CONDIZIONI DI GARANZIA NOTE GENERALI

Le presenti condizioni generali di vendita s'intendono accettate dal cliente con la conferma dell'ordine. Solo l'accettazione scritta da parte dell' JMS Elettropompe srl, conferisce validità e conferma all'ordine del cliente. MANUFATTO

L'ordine dei prodotti alla JMS Elettropompe srl sottintende da parte dell'acquirente, che ne siano state preventivamente esaminate ed approvate le caratteristiche costruttive e funzionali dichiarate nelle documentazioni tecnico-illustrative e/o nella offerta formulata dal commerciale.

Ne consegue che nessuna riserva o richiesta di modifica/sostituzione può considerarsi giustificata a seguito di fornitura avvenuta in piena conformità con quanto ordinato.

SPEDIZIONI

La responsabilità per danni e/o smarrimenti è a carico del trasportatore anche nei casi di resa franco destino. L' JMS Elettropompe srl, salvo diversa indicazione del cliente in fase d'ordine, si riserva la scelta del trasportatore più idoneo. Il controllo di conformità della fornitura e della qualità formale dei colli, relativamente a danni palesi causati durante il trasporto, deve avvenire al momento della consegna. Eventuali difformità rispetto all'avviso di spedizione e/o danneggiamenti riconducibili alla fase del trasporto non configurano alcuna responsabilità a carico dell' JMS Elettropompe srl che potrà venire tuttavia informata dell'accaduto fornendole copia della riserva scritta apposta sul relativo documento di consegna del trasportatore, sottoscritto per accettazione. Eventuali ritardi di consegna totale o parziale della merce rispetto ai tempi concordati e sottoscritti, non configurano alcuna responsabilità a carico dell' JMS Elettropompe srl qualora dovuti a : scioperi, eventi naturali incedi, mancato o ridotto approvvigionamento di materie prime per ritardi sub-fornitori, difficoltà dei trasporti, guasti agli impianti di produzione.

GARANZIA

Durata e decorrenza, salvo diversa dichiarazione scritta :

• 12 mesi dalla data di fattura ;

• 6 mesi per quadri elettrici, riparazioni e ricambi.

La ditta JMS Elettropompe srl presta le garanzie di legge coprendo difetti di costruzione del materiale prodotto dall' JMS Elettropompe srl, essa inoltre si limita alla riparazione o sostituzione delle macchine o del pezzo riconosciuti difettosi presso i nostri stabilimenti dopo attenta verifica da parte dei nostri tecnici, riservandosi l'insindacabile giudizio sulla causa del difetto.

La garanzia dell'JMS Elettropompe srl è valida solo :

• se il guasto è dovuto a difetti di lavorazione, fabbricazione o dei materiali ;

• se il guasto viene comunicato alla JMS, o ad un suo rappresentante, entro il periodo di scadenza della garanzia stessa ;

• se il prodotto viene usato esclusivamente nelle condizioni descritte dalle istruzioni per l' installazione e manutenzione, secondo gli impieghi previsti ;

• se i sistemi di controllo incorporati nei prodotti sono correttamente collegati;

• se tutti i lavori di riparazione e manutenzione vengono effettuati in officine o Centri di Assistenza Autorizzati JMS Elettropompe srl ;

• se vengono impiegate parti di ricambio originali JMS.

Ulteriori condizioni :

• Segnalazioni di vizi palesi di costruzione e/o di materiale devono avvenire entro 8 giorni dalla ricezione della merce, mediante comunicazione scritta. La macchina difettosa dovrà pervenire presso nostri stabilimenti o nostri Centri di Assistenza Autorizzati, in modalità porto franco e riconsegna in porto assegnato

• Il riconoscimento della garanzia è vincolato all'avvenuto assolvimento degli obblighi contrattuali da parte del cliente.

• In nessun caso la garanzia configura responsabilità per danni arrecati a persone e cose (inclusi sospensioni improvvise di processi produttivi)

• La presunzione o l'accertamento di vizi a carico del prodotto non giustificano inadempienze verso gli obblighi contrattuali

• Per avvalersi della garanzia bisogna produrre all' JMS Elettropompe srl documento di vendita riportante data, nome modello e numero di serie.

• La fornitura di accessori e componenti privi del marchio dell' JMS Elettropompe srl, in quanto acquistati da terzi, esclude ogni tipo di responsabilità da parte della medesima

• La garanzia s'intende franco magazzino dal quale è stata effettuata la fornitura, inclusa la restituzione di pezzi difettosi, e consiste nella riparazione e/o sostituzione di pezzi di cui l' JMS Elettropompe srl ne abbia accertato il difetto.

• Si intendono esclusi dalla garanzia qualsiasi danno arrecato nella fase di trasporto e/o a causa di errori di richieste, imperizia nell'installazione, nell'uso delle prescrizioni tecniche, funzionamento sotto inverter ad un regime giri inferiore a quello prescritto, manomissioni e/o riparazioni effettuate al di fuori delle strutture di assistenza autorizzate dall' JMS Elettropompe srl .

In nessun caso comunque la garanzia implica la possibilità di richiesta di indennità e si declina ogni responsabilità per danni materiali e corporali che venissero causati dalle macchine JMS, sia diretti che indiretti causati da errato utilizzo.

Teniamo in oltre a precisare che la garanzia decade:

• se la macchina è stata riparata, smontata o manomessa da persone non autorizzate ;

• se il guasto è stato provocato da errori di collegamento elettrico od idraulico, da mancata o non adeguata protezione ;

• se l'applicazione delle macchine non è stata eseguita correttamente ;

• se la macchina ha lavorato in assenza di acqua ;

• se la macchina è stata assoggettata a sovraccarichi oltre i limiti di targa ;

• se i materiali sono stati guastati a seguito del contatto con liquidi abrasivi o corrosivi comunque non compatibili con i materiali impiegati nella costruzione delle pompe ;

• se i materiali sono avariati a seguito del naturale logoramento



GENERAL NOTES

These general conditions of sale means accepted by the customer with the order confirmation. Only the written acceptance by the JMS Elettropompe srl gives validity and confirms the order of the customer. MANUFACTURE

The order of the products to the JMS Elettropompe srl implied by the purchaser, that the structural and functional features stated in the explanatory technical documentation and / or the offer made by the commercial has been previously considered and approved. It follows that any reservation or request for modification / replacement can be regarded as justified as a result of supply took place in full compliance with the order.

SHIPMENTS

The liability for damage and / or loss is charged to the carrier even in the case of DAP carriage. JMS Elettropompe srl, unless otherwise specified by the customer at time of order, reserves the choice of the most suitable carrier. The compliance check of the supply and the formal quality of the packages, relatively obvious damage caused during transport, must take place at the time of delivery. Any differences in the notice of shipment and / or damage attributable to the phase of transport no liability borne by JMS Elettropompe srl that will come, however, informed of the incident by providing reserve copy written specifically on the delivery bill conveyor, signed for acceptance. Any delay of total or partial delivery of the goods with respect to the agreed time and signed, no liability borne by the JMS Elettropompe srl if due to strikes, natural disasters, fires, failure or reduced supply of raw materials for delays sub-suppliers, transport difficulties, breakdowns in production facilities.

WARRANTY

Duration and effective date, unless otherwise written statement:

• 12 months from the date of invoice;

• 6 months for switchboards, repairs and spare parts.

The company JMS Elettropompe srl lends legal guarantees covering structural defects of the material produced by JMS Elettropompe srl; it also is limited to repairs or replacement of machines or recognized as defective piece in our factory after careful review by our technicians, we reserve the final judgment on the cause of the defect.

The JMS Elettropompe srl guarantee is only valid:

• if the fault is due to defects in workmanship, material or production;

• if the fault is reported to JMS, or his representative, within the warranty expiration period of the same;

• if the product is used only under conditions described in the instructions for the 'installation and maintenance, according to the intended uses;

• if the control systems used in the products are properly connected;

• if all repair and maintenance works are carried out in workshops or authorized service centers JMS Elettropompe srl;

• if you are used parts of original JMS parts.

Additional conditions :

• Reports of obvious defects of construction and / or material must take place within 8 days of receipt of goods, by written notice. The faulty machine must be received at our facilities or our authorized service centers, transport charges paid by the client

• The recognition of the guarantee is bound to place fulfillment of contractual obligations by the customer.

• In no case the warranty involves responsibility for damage caused to people and things (including sudden suspension of production processes)

• The presumption or the reporting of charged defects of the product do not justify noncompliance to the contractual obligations

• To obtain the guarantee is necessary to produce sales document showing date, model name and serial number for JMS Elettropompe srl.

• The supply of accessories and components have the mark of JMS Elettropompe srl, as acquired from third parties, excludes any kind of liability on the part of the same

• The guarantee is ex-stock from which it was being made, including the return of defective parts, and be limited to repair and / or replacement of parts of which the JMS Elettropompe srl is satisfied as the defect.

• We intend excluded from the warranty any damage caused during transport and / or due to demands mistakes, incompetence installation, use of the technical requirements, operating under inverter to a lower than prescribed rpm, tampering and / or repairs done outside of care facilities authorized by JMS Elettropompe srl. In no case, however, the guarantee implies the possibility to claim for benefits and assume no liability for material and corporal damages that are caused by JMS machines, whether direct or indirect caused by misuse.

We value besides specifying that the warranty expires:

• if the machine has been repaired, taken apart or tampered with by unauthorized persons;

• if the fault was caused by an electric or hydraulic connection errors, failure or inadequate protection;

• if the application of the machines has not been performed correctly;

• if the machine has worked in the absence of water;

• if the machine has been subjected to overloading exceeding the rating limits;

• if the materials have been failed as a consequence of the contact with abrasive or corrosive liquids however not compatible with the materials used in the construction of the pumps;

• if the materials are damaged as a result of natural attrition.



**BARE - SHAFT CENTRIFUGAL MONO BLOCK PUMPS
CAST IRON PUMPS & SILICON CARBID MECHANICAL SEAL****Series JCS-M****CONDITIONS DE GARANTIE****NOTES GÉNÉRALES**

Ces conditions générales de vente moyens acceptés par le client avec une confirmation de commande. Seule l'acceptation écrite par JMS Elettopompe srl donne la validité et confirmation de la commande du client.

ARTEFACT

La commande des produits à JMS Elettopompe srl impliquée par l'acheteur, que les caractéristiques structurelles et fonctionnelles indiquées dans la documentation technique explicative et / ou l'offre faite par le commercial a été précédemment examiné et approuvé. Il résulte qu'aucun réservation ou demande de modification / remplacement peuvent être considérées comme justifiées en raison de l'offre a eu lieu en pleine conformité avec l'ordre.

EXPEDITIONS

La responsabilité pour les dommages et / ou la perte est à la charge du transporteur, même dans le cas de rendement DAP. JMS Elettopompe srl, sauf indication contraire par le client au moment de la commande, se réserve le choix du transporteur le plus approprié. La vérification de la conformité de l'offre et la qualité formelle des emballages, des dommages relativement évidents causés lors du transport, doivent avoir lieu au moment de la livraison. Aucune responsabilité par toute différence dans l'avis d'expédition et / ou des dommages imputables à la phase du transport est supportée par JMS Elettopompe srl qui viendra, cependant, informé de l'incident en fournissant réserve copie écrite spécifiquement sur le bordereau de livraison convoyeur, signé pour acceptation. Tout retard de livraison totale ou partielle de biens que le temps convenu et signé, aucune responsabilité portée par JMS Elettopompe srl si elle est due à des grèves, des catastrophes naturelles, les incendies, l'échec ou réduit l'approvisionnement en matières premières pour les retards sous-traitants, les difficultés de transport, les pannes dans les installations de production.

GARANTIE

Durée et date d'effet, sauf déclaration contraire écrite:

- 12 mois à compter de la date de la facture;
- 6 mois pour les tableaux, les réparations et les pièces de rechange.

La société JMS Elettopompe srl prête garanties juridiques couvrant les défauts structurels de la matière produite par JMS Elettopompe srl; Il est également limité à la réparation ou le remplacement des machines ou reconnu comme pièce défectueuse dans notre usine après un examen minutieux par nos techniciens, nous nous réservons le jugement final sur la cause du défaut.

La garantie JMS Elettopompe srl est uniquement valable:

- si le défaut est dû à des défauts de fabrication, du matériel ou de la production;
- si le défaut est signalé à JMS, ou son représentant, dans le délai de garantie d'expiration de la même;
- si le produit est utilisé uniquement dans les conditions décrites dans les instructions pour l'installation et la maintenance, en fonction des utilisations prévues;
- si les systèmes de contrôle utilisés dans les produits sont correctement connectés;
- si tous les travaux de réparation et d'entretien sont effectués dans des ateliers ou centres de réparation agréés JMS Elettopompe srl;
- si vous êtes habitué des parties de pièces de JMS originales;

Conditions supplémentaires:

- Rapports des défauts évidents de construction et / ou matériel doit avoir lieu dans les 8 jours suivant la réception des marchandises, par notification écrite. La machine défectueuse doit être reçue à nos installations ou de nos centres de service autorisés, à votre charge;
- La reconnaissance de la garantie est tenu de placer le respect des obligations contractuelles par le client;

En aucun cas, la garantie implique une responsabilité pour les dommages causés aux personnes et aux choses (y compris la suspension soudaine des processus de production);

- La présomption ou la déclaration des défauts chargés du produit ne justifie pas le non-respect des obligations contractuelles;
- Pour bénéficier de la garantie est nécessaire pour produire un document de vente date, le nom du modèle et le numéro de série montrant pour JMS Elettopompe srl;
- La fourniture d'accessoires et composants ont la marque de JMS Elettopompe srl, comme acquis auprès de tiers, exclut toute forme de responsabilité de la part du même;
- La garantie est ex stock à partir de laquelle il a été faite, y compris le retour des pièces défectueuses, et être limitée à la réparation et / ou remplacement de pièces, dont JMS Elettopompe srl est convaincu que le défaut;
- Nous avons l'intention exclus de la garantie les dommages causés lors du transport et / ou en raison de demandes des erreurs, l'installation de l'incompétence, utilisation des exigences techniques, opérant sous fondleur à un régime inférieur à celui prescrit, la falsification et / ou réparations effectuées en dehors des établissements de soins autorisés par JMS Elettopompe srl. En aucun cas, cependant, la garantie implique la possibilité de réclamer des avantages et décline toute responsabilité pour les dommages matériels et corporels qui sont causés par des machines JMS, qu'ils soient directs ou indirects causés par une mauvaise utilisation.

Nous apprécions d'ailleurs préciser que l'expiration de la garantie:

- Si la machine a été réparé, démonté ou altéré par des personnes non autorisées;
- Si le défaut a été causé par une erreur de connexion électrique ou hydraulique, l'échec ou une protection inadéquate;
- Si l'application des machines n'a pas été effectuée correctement;
- Si la machine a travaillé en l'absence d'eau;
- Si la machine a été soumise à une surcharge dépassant les limites de notation;
- Si les matériaux ont échoué en raison du contact avec des liquides corrosifs ou abrasifs cependant pas compatibles avec les matériaux utilisés pour la construction des pompes;
- Si les matériaux sont endommagés à la suite de l'attrition naturelle.

**CONDICIONES DE LA GARANTÍA****NOTAS GENERALES**

Estas condiciones generales de venta medio aceptado por el cliente con una confirmación de pedido. Sólo la aceptación por escrito por el JMS Elettopompe srl da validez y confirma el pedido del cliente.

ARTEFACTO

El orden de los productos para el JMS Elettopompe srl implícita por parte del comprador, que las características estructurales y funcionales indicadas en la documentación técnica explicativa y / o la oferta hecha por el comercial ha sido considerado y aprobado previamente. De ello se desprende que cualquier reserva o solicitud de modificación / sustitución pueden considerarse justificadas como consecuencia de la oferta tuvo lugar en el pleno cumplimiento de la orden.

ENVÍOS

La responsabilidad por los daños y / o pérdidas se carga al transportista, incluso en el caso de rendimiento DAP. JMS Elettopompe srl, a menos que se especifique lo contrario por el cliente en el momento del pedido, se reserva la elección del soporte más adecuado. La prueba de conformidad de la oferta y la calidad formal de los paquetes, relativamente obvia daños causados durante el transporte, deben tener lugar en el momento de la entrega. Cualquier diferencia en la declaración de embarque y / o daños atribuibles a la fase de transporte ninguna responsabilidad a cargo de JMS Elettopompe srl que vendrá, sin embargo, informo del incidente al proporcionar copia de reserva por escrito específicamente en la factura de entrega transportadora, firmado para su aceptación. Cualquier retraso de la ejecución total o parcial de los bienes con respecto a la hora acordada y firmada, declinan toda responsabilidad a cargo de JMS Elettopompe srl si debido a las huelgas, desastres naturales, incendios, fallas o la reducción del suministro de materias primas para los retrasos sub-proveedores, las dificultades de transporte, averías en instalaciones de producción.

GARANTIA

Duración de la garantía y la fecha de vigencia, a menos que de otro modo declaración escrita:

- 12 meses desde la fecha de la factura;
- 6 meses para cuadros, reparaciones y piezas de repuesto.

La compañía JMS Elettopompe srl presta garantías legales que cubren los defectos estructurales del material producido por JMS Elettopompe srl; También se limita a la reparación o sustitución de máquinas o reconocido como pieza defectuosa en nuestra fábrica después de una revisión cuidadosa por parte de nuestros técnicos, nos reservamos el juicio final sobre la causa del defecto.

La garantía JMS Elettopompe srl sólo es válida:

- Si el fallo se debe a defectos de fabricación, materiales o de producción;
- Si el fallo se informó a JMS, o su representante, dentro del periodo de vencimiento de la garantía de la misma;
- Si el producto se utiliza sólo en las condiciones descritas en las instrucciones para la "instalación y mantenimiento, de acuerdo con los usos previstos;
- Si los sistemas de control utilizados en los productos estén bien conectados;
- Si todos los trabajos de reparación y mantenimiento se llevan a cabo en los talleres o centros de servicio autorizados JMS Elettopompe srl;
- Si está piezas de recambio originales JMS acostumbrado.

Condiciones adicionales:

- Informes de defectos evidentes de construcción y / o material debe tener lugar dentro de los 8 días siguientes a la recepción de los bienes, mediante notificación por escrito. La máquina defectuosa se debe recibir en nuestras instalaciones o los centros de servicio autorizados, los gastos a cargo del cliente;
- El reconocimiento de la garantía está obligado a colocar cumplimiento de las obligaciones contractuales por parte del cliente;
- En ningún caso la garantía implica la responsabilidad por los daños causados a las personas y cosas (incluida la suspensión repentina de los procesos de producción);
- La presunción o la notificación de defectos cargadas del producto no justifican el incumplimiento de las obligaciones contractuales;
- Para aprovechar las ventajas de la garantía es necesaria producir documento de venta fecha, nombre del modelo y número de serie que muestra para JMS Elettopompe srl;
- El suministro de accesorios y componentes tienen la marca de JMS Elettopompe srl, como adquiridos a terceros, excluye cualquier tipo de responsabilidad por parte de la misma;
- La garantía es ex-acción de la que se está realizando, incluida la devolución de las piezas defectuosas, y se limita a la reparación y / o sustitución de piezas de las cuales el JMS Elettopompe srl está satisfecho en cuanto al defecto;
- Tenemos la intención excluidos de la garantía los daños causados durante el transporte y / o a las exigencias de errores de instalación, la incompetencia, la utilización de los requisitos técnicos, que operan bajo inversor a un menor que rpm prescrito, manipulación y / o reparaciones hechas fuera de los centros de atención autorizados por JMS Elettopompe srl. En ningún caso, sin embargo, la garantía implica la posibilidad de reclamar por beneficios y asumir ninguna responsabilidad por los daños materiales y corporales que son causadas por las máquinas JMS, ya sean directos o indirectos causados por el mal uso.
- Valoramos además de especificar que expire la garantía:
- Si la máquina ha sido reparada, desmontada o manipulado por personas no autorizadas;
- Si el fallo fue causado por un error de conexión eléctrica o hidráulica, el fracaso o la protección inadecuada;
- Si la aplicación de las máquinas no se ha realizado correctamente;
- Si la máquina ha trabajado en la ausencia de agua;
- Si la máquina se ha sometido a una sobrecarga superior a los límites de clasificación;
- Si los materiales se han fallado como consecuencia del contacto con líquidos abrasivos o corrosivos sin embargo no son compatibles con los materiales utilizados en la construcción de las bombas;
- Si los materiales son dañados como resultado de la reducción natural.



G.P.T.CO

Gol Pump Technology Company

GOL PUMP TECHNOLOGY INC

3750 NW 114TH AVE SUITE #6

MIAMI, FL 33178

TEL: +1 (786) 615-8984 & +1 (789) 452-9775

FAX: +1 (786) 615-7043

E-mail: info@golpumps.com

www.golpumps.com



GOL PUMPS



Adoppi

JCS-M
SERIE

**JMS**