



JCS-S
SERIE
SERIES

 **POMPE AUTOADESCANTI CON SUPPORTO**

 *Bareshaft Self-Priming pumps*

 *Pompes auto-amorçante arbre nu*

 *Bombas autocebante eje libre*



 **MADE IN ITALY**

JMS elettropompe

custom solutions





IMPIEGHI

Le pompe centrifughe autoadescanti serie JCS-S sono state studiate per essere collegate a motori diesel, benzina e elettrici mediante giunto elastico. Tali gruppi motopompa o elettropompa vengono utilizzati in servizi gravose di pompaggio di acque sporche, fangose con presenza di corpi solidi, sabbia e sostanze corrosive. I settori nei quali vengono impiegate sono i seguenti:

Cantieristica: prosciugamenti di scavi, rifornimento d'acqua nelle cisterne trasportate, prosciugamenti alluvionali.

Depurazione: Trasferimento acque luride, svuotamento pozzetti di raccolta acque di scarico per abitazioni o industriali.

Navale: prosciugamento sentina, lavaggio, circolazione acqua.

Industria: travaso di liquidi fangose, chimici, con corpi solidi in sospensione.

Civili: antincendio, svuotamento di fognature.

Agricoltura: irrigazione a bassa e media prevalenza, ossigenazione liquidi, lavaggio, spargimento liquami.



APPLICATIONS

Les pompes centrifuges auto-amorçante série là JCS-S sont étudiées pour être connectés à des moteurs diesel, à l'essence et électrique à travers un accouplement élastique. Ces motorpompe à moteur ou pompe électrique sont utilisées dans les services lourds de pompage de l'eau sale, boueuse-présence de solides, sable et des substances corrosives. Le champs dans lesquels sont utilisés sont les suivants:

Construction : assèchement des fouilles, l'approvisionnement en eau transportée dans des réservoirs, alluviale prosciugamneti.

Purification: rence des eaux usées d'un réservoir à l'autre, de collecte des eaux usées vidage des puits des habitations ou industrielle.

Construction navale: cale vidange, le lavage, la circulation de l'eau. Industrie: transfert de liquide boueux, chimique, avec des solides en suspension.

Les civils: le feu, la fuite des égouts.

Agriculture: faible irrigation et la prévalence moyenne, l'oxygène liquide, le nettoyage, les eaux usées déversement.

APPLICATIONS

The centrifugal sel-priming pumps series JCS-S have been designed to be coupled to diesel or gasoline engines and electrical motors, through a flexible coupling. These groups of motorpumps or electric pumps are then suitable for heavy duty application for this series of pumps are the following:

Building industry: Drainage of excavation sites, dewatering of floods. Water transfer to/from tankers.

Waste water treatment: Transfer of dirty and dewage waters, emptying of domestic or industrial drain wells.

Ship industry: Bilge dewatering, washing, water transfer.

Civil industry: Transfer of muddy, chemical liquids with solids and particles in suspension. Fire-fighting. Sewerage system drainage.

Agriculture: Irrigation at low and middle pressure head. Oxigenation of liquids, (washing), sewage spreading.

APPLICATIONS

Las bombas de centrífuga autocebante serie JCS-S han sido diseñados para ser conectados a los motores diesel, gasolina y eléctrica a través de un acoplamiento elástico. Estas unidades de motobombas o bomba eléctrica se utilizan en los servicios de gran potencia de bombeo de agua sucia, lodosa-presencia de arena sólidos y sustancias corrosivas. El campo en el que se utilizan son los siguientes:

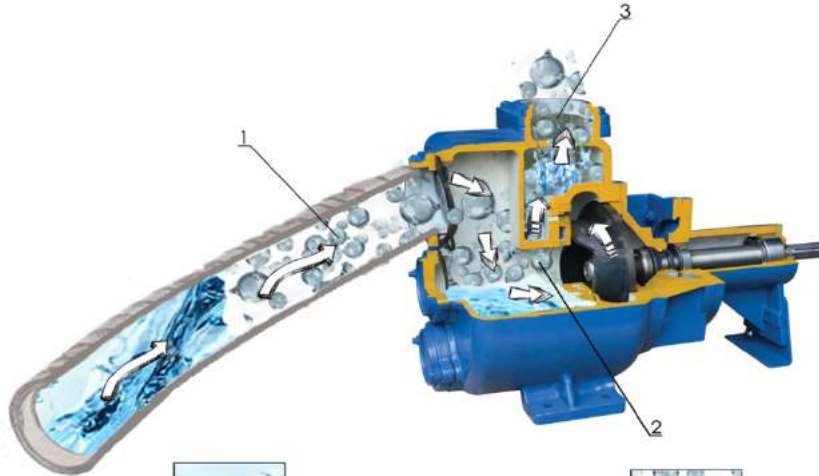
Construcción : secande excavaciones, el suministro de agua transportada en tanques, prosciugamneti aluvial. cia de aguas residuales desde un tanque a otro, de recolección de aguas residuales vaciado de los pozos de viviendas o industriales: purificación.

La construcción naval: el drenaje de sentina, el lavado, la circulación del agua.

Industria: transferencia de líquido fangoso, química, con sólidos en suspensión.

Los civiles: fuego, de drenaje de alcantarillado.

Agricultura: bajo riego y la prevalencia media, oxígeno líquido, la limpieza, el derrame de aguas residuales.



ACQUA - WATER - EAU - AGUA



ARIA - AIR - AIRE

1

INGRESSO ARIA - AIR INLET - ENTRADA DE AIRE

2

CAMERA SEPARAZIONE ARIA/ACQUA - AIR/WATER SEPARATION CHAMBER
 CHAMBRE DE SÉPARATION AIR / EAU - SALA DE SEPARACIÓN DE AIRE / AGUA

3

USCITA ARIA - AIR OUTLET - SORTIE D'AIR - SALIDA DE AIRE

FUNZIONE AUTO ADESCANTE

Perché la pompa si innesca automaticamente e viene così chiamata autoadescante?

Mediante questa rappresentazione grafica del percorso dell'acqua e dell'aria all'interno della pompa, diamo la risposta questo sopra citato.

L'area indicata con le bolle, viene aspirata dalla girante in movimento. In questo modo si crea il vuoto nel tubo di aspirazione e l'acqua, spinta dalla pressione atmosferica, riempie il tubo di aspirazione entrando quindi nella camera di separazione. La miscela aria acqua, nella camera di separazione, si separa e l'aria essendo più leggera dell'acqua sale in alto uscendo dalla bocca di mandata. La pompa pertanto in presenza di bolle d'aria o di gas in aspirazione, si disinnesca e automaticamente espellendo l'aria si autoinnesca.

SEL-PRIMING FUNCTION

Why does the pump primes automatically and is it called self-priming? We can give the reply to this question through graphic description of air and water route inside the pump. The air, represented by the moving impeller. By this movement the vacuum is created in the suction pipe and when the water, represented by the blue colour, pushed by the atmospheric pressure fills the suction pipe, entering then the separation chamber. The air-water mixture separates in the separation chamber and the air, being lighter than the water, goes up and gets out through the delivery port. The air-water mixture separates in the separation chamber and the air, being lighter than the water, goes up and gets out through the delivery port. The pump, as a matter of fact in presence of air or gas bubbles in the suction side gets un-primed but automatically driving out the air gets primed again.

FONCTION AUTO-AMORÇAGE

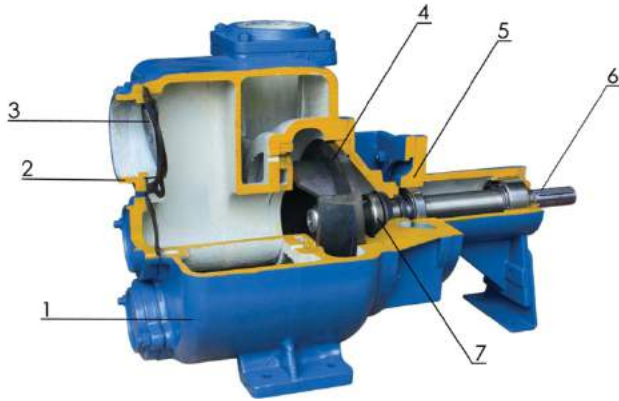
Parce que la pompe est automatiquement activé et est ainsi appelé auto-amorçage? Au moyen de cette représentation graphique de l'eau et le chemin de l'air intérieur de la pompe, nous donnons la réponse de cette cité ci-dessus. La zone indiquée par les bulles, est aspiré par la turbine en mouvement. De cette façon, on crée un vide dans le tuyau d'aspiration et l'eau, il va détruire la pression atmosphérique, remplit le tube d'aspiration, puis pénètre dans la chambre de séparation. Le mélange air-eau, dans la chambre de séparation, est séparée et l'air étant plus léger que l'eau, va vers le haut et sortant de la bouche de refoulement. La pompe donc en présence de bulles d'air ou de gaz en aspiration, il désamorçe automatiquement l'expulsion de l'air permet a la pompe de traviner.

FUNCIONA AUTO CEBANTE

Debido a que la bomba se activa automáticamente y se llama así autocebante? Por medio de esta representación gráfica del agua y la trayectoria de aire dentro de la bomba, damos la respuesta este antes citada. El área indicada por las burbujas, es aspirado por el movimiento del impulsor. De esta manera se crea un vacío en la manguera de aspiración y el "agua, destruirá la presión atmosférica, se llena el tubo de succión y luego entrar en la cámara de separación. La mezcla de aire-agua, en la cámara de separación, se separa y el "aire es más ligero que el agua se eleva hacia a boca de salida de la bomba. La bomba, por tanto, en presencia de burbujas d'aire o de gas en aspiración, se desactiva y expulsar automáticamente el "aire desencadena automáticamente.

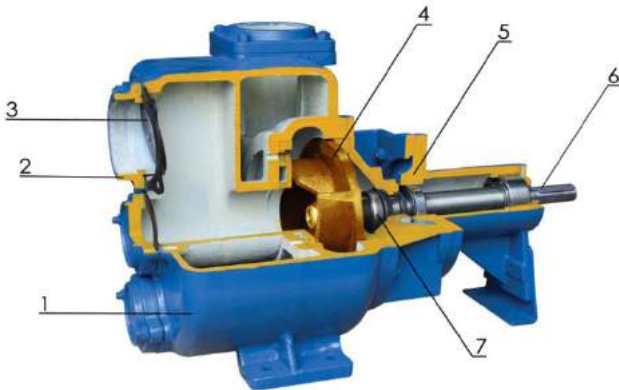
Le pompe centrifuche JCS-S vengono costruite in tre diverse versioni.
Centrifugal series JCS-S available in three different versions.
 Pompes centrifuge JCS-S construits en trois versions différentes.
 Bombas centrifugas JCS-S construyen en tres versiones diferente.

Serie JCS-S/S per liquidi non corrosivi
Series JCS-S/S for not corrosive liquids



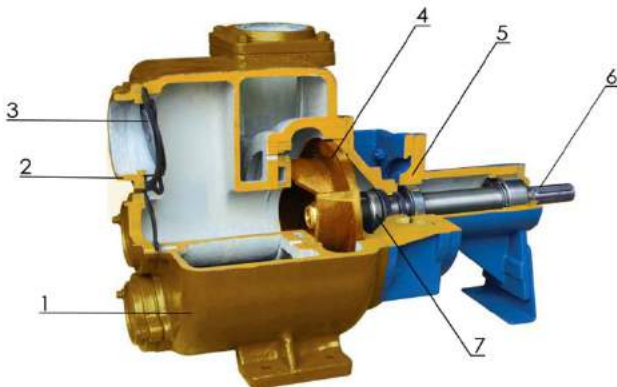
- 1 CORPO POMPA - PUMP CASING**
Ghisa grigia a grana fine - Grey fine grained cast iron
- 2 COPERCHIO ASPIRAZIONE - SUCTION COVER**
Ghisa grigia a grana fine - Grey fine grained cast iron
- 3 VALVOLA CLAPET - CLAPET VALVE**
Gomma naturale - Natural rubber
- 4 GIRANTE - IMPELLER**
Ghisa grigia a grana fine - Grey fine grained cast iron
- 5 SUPPORTO - SUPPORT**
Ghisa grigia a grana fine - Grey fine grained cast iron
- 6 ALBERO - SHAFT**
Acciaio 38NCD4 - Steel 38NCD4
- 7 TENUTA MECCANICA - MECHANICAL SEAL**

Serie JCS-S/BRX per liquidi leggermente corrosivi
Series JCS-S/BRX for lightly corrosive liquids



- 1 CORPO POMPA - PUMP CASING**
Ghisa grigia a grana fine - Grey fine grained cast iron
- 2 COPERCHIO ASPIRAZIONE - SUCTION COVER**
Ghisa grigia a grana fine - Grey fine grained cast iron
- 3 VALVOLA CLAPET - CLAPET VALVE**
Gomma naturale - Natural rubber
- 4 GIRANTE - IMPELLER**
Bronzo - Bronze
- 5 SUPPORTO - SUPPORT**
Ghisa grigia a grana fine - Grey fine grained cast iron
- 6 ALBERO - SHAFT**
Acciaio inox Aisi 304 - Stainless Steel Aisi 304
- 7 TENUTA MECCANICA Viton - MECHANICAL SEAL Viton**

Serie JCS-S/TBX per liquidi non corrosivi
Series JCS-S/TBX for not corrosive liquids



- 1 CORPO POMPA - PUMP CASING**
Bronzo - Bronze
- 2 COPERCHIO ASPIRAZIONE - SUCTION COVER**
Bronzo - Bronze
- 3 VALVOLA CLAPET - CLAPET VALVE**
Gomma naturale - Natural rubber
- 4 GIRANTE - IMPELLER**
Bronzo - Bronze - Fonte - Bronze
- 5 SUPPORTO - SUPPORT**
Ghisa grigia a grana fine - Grey fine grained cast iron
- 6 ALBERO - SHAFT**
Acciaio inox Aisi 304 - Stainless Steel Aisi 304
- 7 TENUTA MECCANICA Viton - MECHANICAL SEAL Viton**

Series **JCS-S**

| Type | CAPACITY | | | | | | | | | | | | | | | | | | | | 1000 RPM | | | |
|--------------------------------|----------|-----|------|------|------|------|------|------|------|------|------|------|------|------|------|------|------|------|------|--|----------|--|--|--|
| | m³/h | 0 | 80 | 100 | 120 | 140 | 160 | 180 | 200 | 220 | 240 | 260 | 280 | 300 | 320 | 340 | 400 | 450 | 500 | | | | | |
| | gal/min | 0 | 352 | 440 | 528 | 616 | 704 | 793 | 881 | 969 | 1057 | 1145 | 1233 | 1321 | 1409 | 1497 | 1761 | 1981 | 2201 | | | | | |
| | L/min | 0 | 1333 | 1666 | 2000 | 2333 | 2666 | 3000 | 3333 | 3666 | 4000 | 4333 | 4666 | 5000 | 5333 | 5666 | 6666 | 7500 | 8333 | | | | | |
| JCS-S6A2206S JCS-S6A220BRX | H | 64 | | 61 | 59 | 57 | 56 | 52 | 49 | 46 | 43 | | | | | | | | | | | | | |
| | Kw | 7,5 | | 11,3 | 12,0 | 12,8 | 13,3 | 13,6 | 14,3 | 15,0 | 15,3 | | | | | | | | | | | | | |
| JCS-S8A2414S JCS-S8A2414BRX | H | 33 | | 29 | 28 | 27 | 26 | 25 | 23 | 20 | 18 | 16 | 13 | 11 | | | | | | | | | | |
| | Kw | 4,5 | | 5,7 | 6,0 | 6,2 | 6,4 | 6,5 | 6,7 | 6,7 | 6,5 | 6,4 | 6,2 | 6,0 | | | | | | | | | | |
| JCS-S10A2507S | H | 8 | | | | | | | 26 | 26 | 25 | 24 | 22 | 21 | 20 | 20 | 15 | 10 | 5 | | | | | |
| | Kw | 6,9 | | | | | | | 7,0 | 7,2 | 7,4 | 7,7 | 7,8 | 7,9 | 7,9 | 7,9 | 8,1 | 7,9 | 6,9 | | | | | |

H - Prevalenza manometrica in feet - Total manometric head in feet
 Kw - Potenza assorbita della pompa in Kw - Pump absorbed power in Kw

| Type | CAPACITY | | | | | | | | | | | | | | | | | | | | 1200 RPM | | | |
|--|----------|------|------|------|------|------|------|------|------|------|------|------|------|------|------|------|------|------|------|------|----------|------|------|------|
| | m³/h | 0 | 30 | 54 | 60 | 70 | 80 | 100 | 120 | 140 | 160 | 170 | 200 | 220 | 240 | 260 | 288 | 300 | 350 | 360 | 400 | 450 | 500 | 550 |
| | gal/min | 0 | 132 | 238 | 264 | 308 | 352 | 440 | 528 | 616 | 704 | 748 | 881 | 969 | 1057 | 1145 | 1268 | 1321 | 1541 | 1585 | 1761 | 1981 | 2201 | 2422 |
| | L/min | 0 | 500 | 900 | 1000 | 1166 | 1333 | 1666 | 2000 | 2333 | 2666 | 2833 | 3333 | 3666 | 4000 | 4333 | 4800 | 5000 | 5833 | 6000 | 6666 | 7500 | 8333 | 9166 |
| JCS-S3A2914S JCS-S3A2914BRX | H | 34 | 26 | 16 | | | | | | | | | | | | | | | | | | | | |
| | Kw | 1,00 | 1,40 | 1,80 | | | | | | | | | | | | | | | | | | | | |
| JCS-S4A1831S JCS-S4A1831BRX JCS-S4A1831TBX | H | 69 | | 66 | 65 | 64 | 62 | 57 | 52 | 46 | 39 | 36 | | | | | | | | | | | | |
| | Kw | 5,0 | | 7,3 | 7,5 | 7,9 | 8,0 | 8,5 | 8,9 | 9,2 | 9,7 | 9,7 | | | | | | | | | | | | |
| JCS-S6A2337S JCS-S6A2337BRX | H | 39 | | | | | 31 | 30 | 28 | 26 | 24 | 22 | 17 | | | | | | | | | | | |
| | Kw | 4,0 | | | | | 4,2 | 4,5 | 4,8 | 5,0 | 5,2 | 5,5 | 6,0 | | | | | | | | | | | |
| JCS-S6A2206S JCS-S6A220BRX | H | 92 | | | | | | 87 | 85 | 84 | 83 | 82 | 79 | 75 | 71 | 66 | 59 | | | | | | | |
| | Kw | 12,8 | | | | | | 19,5 | 20,3 | 21,0 | 22,5 | 23,3 | 24,0 | 25,0 | 25,5 | 26,5 | 27,0 | | | | | | | |
| JCS-S8A2414S JCS-S8A2414BRX | H | 46 | | | | | | 43 | 42 | 40 | 39 | 38 | 36 | 34 | 31 | 30 | 26 | 24 | 16 | 15 | | | | |
| | Kw | 7,5 | | | | | | 9,2 | 9,5 | 10,0 | 10,2 | 10,5 | 11,0 | 11,2 | 11,5 | 11,4 | 11,2 | 11,0 | 10,2 | 10,0 | | | | |
| JCS-S10A2507S | H | 46 | | | | | | | | | | | 39 | 39 | 39 | 36 | 36 | 34 | 32 | 30 | 29 | 24 | 18 | 11 |
| | Kw | 11,0 | | | | | | | | | | | 13,0 | 13,5 | 13,6 | 14,0 | 14,2 | 14,5 | 15,0 | 15,0 | 15,0 | 14,3 | 13,5 | 11,0 |

Series **JCS-S**

| Type | CAPACITY | | | | | | | | | | | | | | | | | | | | | 1450 RPM | | |
|--|-------------------|------|------|------|------|------|------|------|-----|------|------|------|------|------|------|------|------|------|------|------|------|----------|------|----|
| | m ³ /h | 0 | 6 | 12 | 18 | 24 | 30 | 36 | 40 | 50 | 60 | 70 | 80 | 90 | 100 | 110 | 120 | 130 | 140 | 150 | 160 | 170 | 180 | |
| | gal/min | 0 | 26 | 53 | 79 | 106 | 132 | 159 | 176 | 220 | 264 | 308 | 352 | 396 | 440 | 484 | 528 | 572 | 616 | 660 | 704 | 748 | 793 | |
| | L/min | 0 | 100 | 200 | 300 | 400 | 500 | 600 | 666 | 833 | 1000 | 1166 | 1333 | 1500 | 1666 | 1833 | 2000 | 2166 | 2333 | 2500 | 2666 | 2833 | 3000 | |
| JCS-S3A12S JCS-S3A12BRX JCS-S3A12TBX | H | 33 | 29 | 24 | 18 | 8 | | | | | | | | | | | | | | | | | | |
| | Kw | 0,20 | 0,24 | 0,36 | 0,42 | 0,57 | | | | | | | | | | | | | | | | | | |
| JCS-S3A16S JCS-S3A16BRX JCS-S3A16TBX | H | 39 | 33 | 30 | 24 | 13 | | | | | | | | | | | | | | | | | | |
| | Kw | 0,3 | 0,34 | 0,47 | 0,55 | 0,75 | | | | | | | | | | | | | | | | | | |
| JCS-S3A20S JCS-S3A20BRX JCS-S3A20TBX | H | 36 | 31 | 30 | 29 | 22 | 18 | 7 | | | | | | | | | | | | | | | | |
| | Kw | 0,4 | 0,5 | 0,61 | 0,68 | 0,80 | 0,88 | 1,0 | | | | | | | | | | | | | | | | |
| JCS-S3A24S JCS-S3A24BRX JCS-S3A24TBX | H | 39 | 34 | 33 | 31 | 25 | 23 | 12 | | | | | | | | | | | | | | | | |
| | Kw | 0,4 | 0,5 | 0,66 | 0,75 | 0,9 | 1,0 | 1,24 | | | | | | | | | | | | | | | | |
| JCS-S3A2914S JCS-S3A2914BRX | H | 49 | | | 44 | 43 | 41 | 38 | 36 | 32 | 25 | 23 | | | | | | | | | | | | |
| | Kw | 1,6 | | | 2,0 | 2,1 | 2,2 | 2,4 | 2,5 | 2,6 | 3,0 | 3,2 | | | | | | | | | | | | |
| JCS-S4A1655S JCS-S4A1655BRX | H | 23 | | | | | | | | 20 | 19 | 17 | 16 | 13 | 11 | 10 | | | | | | | | |
| | Kw | 0,5 | | | | | | | | 0,75 | 1,28 | 1,50 | 1,95 | 1,95 | 1,95 | 1,95 | | | | | | | | |
| JCS-S4A1722S JCS-S4A1722BRX | H | 71 | | | | | 66 | 64 | 63 | 61 | 57 | 56 | 52 | 49 | 46 | 41 | 36 | 33 | 26 | | | | | |
| | Kw | 4,0 | | | | | 5,0 | 5,2 | 5,3 | 5,5 | 5,75 | 5,85 | 6,0 | 6,3 | 6,5 | 6,7 | 6,8 | 6,9 | 7,0 | | | | | |
| JCS-S4A1831S JCS-S4A1831BRX JCS-S4A1831TBX | H | 98 | | | | | | | | 97 | 95 | 94 | 93 | 92 | 89 | 88 | 85 | 82 | 77 | 72 | 66 | 61 | 52 | 52 |
| | Kw | 12,0 | | | | | | | | 12,0 | 12,6 | 13,0 | 14,0 | 14,5 | 14,7 | 15,0 | 15,5 | 15,8 | 16,0 | 16,5 | 16,5 | 16,8 | 17,0 | |

H - Prevalenza manometrica in feet - Total manometric head in feet
 Kw - Potenza assorbita della pompa in Kw - Pump absorbed power in Kw

| Type | CAPACITY | | | | | | | | | | | | | | | | | | | | | 1450 RPM | | |
|--------------------------------|-------------------|------|------|-------|-------|-------|-------|------|------|------|------|------|------|------|------|------|------|------|------|------|------|----------|-------|--|
| | m ³ /h | 0 | 80 | 100 | 120 | 140 | 160 | 180 | 200 | 220 | 240 | 260 | 280 | 300 | 324 | 380 | 400 | 420 | 440 | 480 | 500 | 550 | 600 | |
| | gal/min | 0 | 352 | 440 | 528 | 616 | 704 | 793 | 881 | 969 | 1057 | 1145 | 1233 | 1321 | 1427 | 1673 | 1761 | 1849 | 1937 | 2113 | 2201 | 2122 | 2642 | |
| | L/min | 0 | 1333 | 1666 | 2000 | 2333 | 2666 | 3000 | 3333 | 3666 | 4000 | 4333 | 4666 | 5000 | 5400 | 6333 | 6666 | 7000 | 7333 | 8000 | 8333 | 9166 | 10000 | |
| JCS-S6A2337S JCS-S6A2337BRX | H | 57 | 47 | 45 | 43 | 40 | 39 | 35 | 33 | 29 | 26 | | | | | | | | | | | | | |
| | Kw | 7,5 | 8,0 | 8,2 | 8,3 | 8,5 | 8,8 | 9,0 | 9,3 | 9,5 | 9,8 | | | | | | | | | | | | | |
| JCS-S6A2206S JCS-S6A2206BRX | H | 133 | | 126 | 125 | 123 | 121 | 120 | 118 | 115 | 112 | 108 | 105 | 100 | 95 | | | | | | | | | |
| | Kw | 24,0 | | 30,8 | 32,3 | 33,8 | 34,5 | 36,0 | 37,5 | 39,0 | 40,5 | 41,5 | 42,8 | 43,5 | 45,0 | | | | | | | | | |
| JCS-S8A2414S JCS-S8A2414BRX | H | 69 | | 64 | 62 | 62 | 60 | 59 | 57 | 56 | 53 | 51 | 49 | 46 | 43 | 33 | 30 | 25 | 20 | | | | | |
| | Kw | 12,5 | | 15,80 | 16,50 | 17,00 | 17,50 | 18,0 | 18,5 | 19,0 | 19,2 | 19,7 | 20,0 | 20,1 | 19,8 | 19,3 | 19,0 | 18,7 | 18,5 | | | | | |
| JCS-S10A2507S | H | 62 | | | | | | | 61 | 60 | 59 | 58 | 57 | 55 | 52 | 51 | 49 | 46 | 44 | 43 | 39 | 31 | 21 | |
| | Kw | 21,0 | | | | | | | 21,8 | 22,0 | 22,4 | 22,8 | 23,0 | 23,0 | 23,5 | 23,7 | 23,9 | 24,0 | 24,1 | 24,2 | 23,7 | 22,9 | 21,8 | |

H - Prevalenza manometrica in feet - Total manometric head in feet
 Kw - Potenza assorbita della pompa in Kw - Pump absorbed power in Kw

Series **JCS-S**

| Type | CAPACITY | | | | | | | | | | | | | | | | | | | | 1600 RPM | | | |
|--|-------------------|------|-----|------|------|------|------|------|------|------|------|------|------|------|------|------|------|------|------|------|----------|------|------|-------|
| | m ³ /h | 0 | 40 | 60 | 80 | 90 | 100 | 120 | 150 | 180 | 200 | 220 | 240 | 260 | 280 | 300 | 340 | 380 | 420 | 450 | 480 | 550 | 600 | |
| | gal/min | 0 | 176 | 264 | 352 | 396 | 440 | 528 | 660 | 793 | 881 | 969 | 1057 | 1145 | 1233 | 1321 | 1497 | 1673 | 1744 | 1849 | 1981 | 2113 | 2422 | 2642 |
| | L/min | 0 | 666 | 1000 | 1333 | 1500 | 1666 | 2000 | 2500 | 3000 | 3333 | 3666 | 4000 | 4333 | 4666 | 5000 | 5666 | 6333 | 6600 | 7000 | 7500 | 8000 | 9166 | 10000 |
| JCS-S3A2914S JCS-S3A2914BRX | H | 62 | 46 | 33 | 23 | | | | | | | | | | | | | | | | | | | |
| | Kw | 3,0 | 3,7 | 4,1 | 4,2 | | | | | | | | | | | | | | | | | | | |
| JCS-S4A1722S JCS-S4A1722BRX | H | 85 | 77 | 72 | 66 | 62 | 59 | 51 | 33 | | | | | | | | | | | | | | | |
| | Kw | 5,0 | 6,5 | 7,5 | 8,0 | 8,5 | 8,7 | 9,0 | 9,4 | | | | | | | | | | | | | | | |
| JCS-S4A1831S JCS-S4A1831BRX JCS-S4A1831TBX | H | 121 | | 118 | 115 | 114 | 112 | 105 | 92 | 66 | | | | | | | | | | | | | | |
| | Kw | 15,0 | | 16,5 | 18,0 | 18,4 | 19,0 | 19,3 | 20,3 | 18,8 | | | | | | | | | | | | | | |
| JCS-S6A2337S JCS-S6A2337BRX | H | 67 | | | 58 | 57 | 57 | 54 | 49 | 45 | 42 | 39 | 34 | 30 | | | | | | | | | | |
| | Kw | 10,8 | | | 11,2 | 11,5 | 11,6 | 12,0 | 12,3 | 12,8 | 13,2 | 13,6 | 14,0 | 14,6 | | | | | | | | | | |
| JCS-S6A2206S JCS-S6A2206BRX | H | 161 | | | | | 154 | 153 | 149 | 146 | 144 | 143 | 141 | 138 | 135 | 131 | 120 | 105 | 98 | | | | | |
| | Kw | 33,0 | | | | | 39,8 | 41,2 | 43,5 | 46,5 | 48,0 | 50,2 | 51,8 | 52,3 | 54,8 | 55,5 | 57,8 | 59,0 | 60,0 | | | | | |
| JCS-S8A2414S JCS-S8A2414BRX | H | 82 | | | | | 77 | 75 | 74 | 72 | 70 | 68 | 66 | 64 | 62 | 61 | 55 | 47 | 43 | 39 | 33 | 26 | | |
| | Kw | 20,0 | | | | | 24,2 | 25,0 | 26,5 | 27,5 | 28,3 | 29,0 | 29,8 | 30,5 | 31,0 | 31,5 | 32,0 | 31,7 | 31,6 | 31,4 | 31,0 | 30,5 | | |
| JCS-S10A2507S | H | 75 | | | | | | | | | 74 | 73 | 72 | 70 | 69 | 69 | 67 | 64 | 62 | 61 | 59 | 53 | 48 | 39 |
| | Kw | 29,0 | | | | | | | | | 30,0 | 30,0 | 30,0 | 30,0 | 30,5 | 31,0 | 31,5 | 31,9 | 32,1 | 32,5 | 33,0 | 33,0 | 32,0 | 30,0 |

| Type | CAPACITY | | | | | | | | | | | | | | | | | | | | 1750 RPM | | | |
|--|-------------------|------|-----|------|------|-----|------|-----|-----|------|------|------|------|------|------|------|------|------|------|------|----------|------|------|--|
| | m ³ /h | 0 | 6 | 12 | 18 | 24 | 30 | 36 | 40 | 50 | 60 | 70 | 75 | 90 | 100 | 110 | 120 | 130 | 140 | 150 | 160 | 170 | 180 | |
| | gal/min | 0 | 26 | 53 | 79 | 106 | 132 | 159 | 176 | 220 | 264 | 308 | 330 | 396 | 440 | 484 | 528 | 572 | 616 | 660 | 704 | 748 | 793 | |
| | L/min | 0 | 100 | 200 | 300 | 400 | 500 | 600 | 666 | 833 | 100 | 1166 | 1250 | 1500 | 1666 | 1833 | 2000 | 2166 | 2333 | 2500 | 2666 | 2833 | 3000 | |
| JCS-S3A12S JCS-S3A12BRX JCS-S3A12TBX | H | 43 | 41 | 38 | 31 | 24 | 10 | | | | | | | | | | | | | | | | | |
| | Kw | 0,3 | 0,4 | 0,5 | 0,7 | 0,8 | 1,0 | | | | | | | | | | | | | | | | | |
| JCS-S3A16S JCS-S3A16BRX JCS-S3A16TBX | H | 49 | 48 | 44 | 39 | 33 | 21 | | | | | | | | | | | | | | | | | |
| | Kw | 0,5 | 0,6 | 0,75 | 0,85 | 1,0 | 1,3 | | | | | | | | | | | | | | | | | |
| JCS-S3A20S JCS-S3A20BRX JCS-S3A20TBX | H | 52 | 48 | 48 | 45 | 40 | 34 | 26 | 21 | 10 | | | | | | | | | | | | | | |
| | Kw | 0,8 | 1,0 | 1,0 | 1,1 | 1,2 | 1,4 | 1,6 | 1,9 | 2,3 | | | | | | | | | | | | | | |
| JCS-S3A24S JCS-S3A24BRX JCS-S3A24TBX | H | 52 | 49 | 49 | 47 | 45 | 41 | 34 | 26 | 13 | | | | | | | | | | | | | | |
| | Kw | 0,75 | 1,0 | 1,0 | 1,3 | 1,4 | 1,6 | 1,8 | 2,2 | 2,8 | | | | | | | | | | | | | | |
| JCS-S3A2914S JCS-S3A2914BRX | H | 72 | | | 67 | 66 | 62 | 59 | 57 | 52 | 46 | 38 | 33 | | | | | | | | | | | |
| | Kw | 2,7 | | | 3,25 | 3,5 | 3,75 | 4,0 | 4,1 | 4,3 | 4,5 | 4,75 | 5,0 | | | | | | | | | | | |
| JCS-S4A1722S JCS-S4A1722BRX | H | 102 | | | | | | | 92 | 90 | 85 | 87 | 82 | 77 | 74 | 69 | 66 | 62 | 57 | 52 | 48 | 39 | | |
| | Kw | 7,0 | | | | | | | 8,5 | 9,0 | 9,5 | 10,0 | 10,2 | 10,5 | 11,0 | 11,0 | 12,6 | 12,6 | 12,3 | 12,0 | 12,75 | 13,0 | | |
| JCS-S4A1831S JCS-S4A1831BRX JCS-S4A1831TBX | H | 154 | | | | | | | | 148 | 146 | 144 | 144 | 143 | 141 | 138 | 137 | 131 | 128 | 121 | 115 | 107 | 98 | |
| | Kw | 20,0 | | | | | | | | 21,0 | 21,4 | 22,5 | 23,0 | 23,5 | 24,0 | 25,0 | 25,5 | 26,4 | 27,4 | 27,4 | 27,4 | 27,4 | 26,5 | |

Series **JCS-S**

| Type | CAPACITY | | | | | | | | | | | | | | | | | | | | | | 1750 RPM | |
|--------------------------------|-------------------|------|------|-------|-------|-------|-------|------|------|------|------|------|------|------|------|------|------|------|------|------|------|------|----------|------|
| | m ³ /h | 0 | 80 | 100 | 120 | 140 | 160 | 180 | 200 | 220 | 240 | 260 | 280 | 300 | 340 | 380 | 400 | 414 | 450 | 480 | 500 | 522 | 550 | 600 |
| | gal/min | 0 | 352 | 440 | 528 | 616 | 704 | 793 | 881 | 969 | 1057 | 1145 | 1233 | 1321 | 1497 | 1673 | 1761 | 1823 | 1981 | 2113 | 2201 | 2298 | 2422 | 2642 |
| L/min | 0 | 1333 | 1666 | 2000 | 2333 | 2666 | 3000 | 3333 | 3666 | 4000 | 4333 | 4666 | 5000 | 5666 | 6333 | 6666 | 6900 | 7500 | 8000 | 8333 | 8700 | 9166 | 10000 | |
| JCS-S6A2337S JCS-S6A2337BRX | H | 82 | 71 | 68 | 66 | 62 | 61 | 57 | 53 | 50 | 46 | 42 | 38 | | | | | | | | | | | |
| | Kw | 12,8 | 13,2 | 13,5 | 13,8 | 14,0 | 14,3 | 14,7 | 15,0 | 15,6 | 16,0 | 16,4 | 17,0 | | | | | | | | | | | |
| JCS-S6A2206S JCS-S6A220BRX | H | 194 | 189 | 187 | 184 | 182 | 180 | 179 | 177 | 176 | 173 | 171 | 167 | 162 | 153 | 143 | 136 | 131 | | | | | | |
| | Kw | 42,0 | 50,3 | 52,0 | 54,0 | 56,2 | 58,0 | 60,0 | 62,3 | 64,5 | 66,0 | 68,3 | 71,0 | 72,0 | 75,0 | 78,0 | 79,5 | 80,0 | | | | | | |
| JCS-S8A2414S JCS-S8A2414BRX | H | 98 | | 93 | 92 | 91 | 89 | 88 | 86 | 85 | 83 | 81 | 79 | 77 | 72 | 66 | 61 | 58 | 49 | 43 | 38 | 33 | | |
| | Kw | 22,5 | | 27,00 | 27,70 | 28,50 | 29,20 | 30,0 | 30,6 | 31,5 | 32,0 | 33,0 | 33,5 | 34,0 | 34,7 | 34,6 | 34,5 | 34,2 | 33,7 | 33,0 | 32,6 | 32,5 | | |
| JCS-S10A2507S | H | 98 | | | | | | | 95 | 92 | 89 | 89 | 87 | 87 | 82 | 81 | 79 | 78 | 75 | 72 | 72 | 69 | 66 | 59 |
| | Kw | 39,0 | | | | | | | 40,0 | 40,0 | 40,0 | 40,0 | 40,5 | 40,5 | 42,0 | 42,7 | 43,0 | 43,0 | 43,5 | 43,5 | 43,5 | 43,5 | 43,5 | 43,0 |

H - Prevalenza manometrica in feet - Total manometric head in feet
 Kw - Potenza assorbita della pompa in Kw - Pump absorbed power in Kw

| Type | CAPACITY | | | | | | | | | | | | | | | | | | | | | | 2000 RPM | |
|--|-------------------|------|-----|------|------|------|------|------|------|------|------|------|------|------|------|------|-------|------|------|------|------|------|----------|--|
| | m ³ /h | 0 | 10 | 20 | 30 | 40 | 50 | 60 | 70 | 80 | 90 | 100 | 120 | 130 | 140 | 150 | 160 | 170 | 180 | 220 | 260 | 300 | 320 | |
| | gal/min | 0 | 44 | 88 | 132 | 176 | 220 | 264 | 308 | 352 | 396 | 440 | 528 | 572 | 616 | 660 | 704 | 748 | 793 | 969 | 1145 | 1321 | 1409 | |
| L/min | 0 | 166 | 333 | 500 | 666 | 833 | 1000 | 1166 | 1333 | 1500 | 1666 | 2000 | 2166 | 2333 | 2500 | 2666 | 2833 | 3000 | 3666 | 4333 | 5000 | 5333 | | |
| JCS-S3A2914S JCS-S3A2914BRX | H | 95 | | 89 | 85 | 80 | 74 | 67 | 59 | 52 | 43 | | | | | | | | | | | | | |
| | Kw | 4,0 | | 4,75 | 5,25 | 5,75 | 6,25 | 6,5 | 7,0 | 7,5 | 7,6 | | | | | | | | | | | | | |
| JCS-S4A1655S JCS-S4A1655BRX | H | 44 | | | 40 | 37 | 36 | 34 | 31 | 26 | 23 | 15 | | | | | | | | | | | | |
| | Kw | 2,00 | | | 2,90 | 3,00 | 3,1 | 3,3 | 3,50 | 3,75 | 3,80 | 3,90 | | | | | | | | | | | | |
| JCS-S4A1722S JCS-S4A1722BRX | H | 135 | | | | | 120 | 115 | 113 | 112 | 107 | 103 | 95 | 92 | 87 | 80 | 75 | 67 | 62 | | | | | |
| | Kw | 10,5 | | | | | 13,0 | 13,5 | 14,0 | 14,5 | 15,0 | 15,5 | 16,5 | 16,8 | 17,2 | 17,5 | 17,75 | 18,0 | 18,8 | | | | | |
| JCS-S4A1831S JCS-S4A1831BRX JCS-S4A1831TBX | H | 180 | | | | | 177 | 176 | 174 | 172 | 171 | 171 | 164 | 161 | 154 | 148 | 141 | 131 | 120 | | | | | |
| | Kw | 25,0 | | | | | 26,0 | 26,5 | 27,0 | 28,0 | 28,5 | 30,0 | 32,5 | 32,8 | 33,0 | 33,5 | 33,0 | 33,0 | 32,5 | | | | | |
| JCS-S6A2337S JCS-S6A2337BRX | H | 108 | | | | | | | | 94 | 92 | 90 | 87 | 85 | 84 | 83 | 82 | 79 | 78 | 72 | 65 | 54 | 48 | |
| | Kw | 19,0 | | | | | | | | 19,2 | 19,3 | 19,5 | 19,6 | 19,8 | 20,0 | 20,2 | 20,4 | 20,7 | 21,0 | 22,0 | 23,2 | 24,3 | 25,0 | |

Series **JCS-S**

| Type | CAPACITY | | | | | | | | | | | | | | | | | | | | 2500 RPM | | | |
|--|-------------------|------|------|------|------|------|-----|-----|------|------|------|------|-----|------|------|------|------|------|------|------|----------|------|------|--|
| | m ³ /h | 0 | 10 | 18 | 24 | 30 | 34 | 38 | 40 | 44 | 48 | 50 | 54 | 60 | 70 | 80 | 90 | 100 | 110 | 120 | 130 | 140 | 150 | |
| | gal/min | 0 | 44 | 79 | 106 | 132 | 150 | 167 | 176 | 194 | 211 | 220 | 238 | 264 | 308 | 352 | 396 | 440 | 484 | 528 | 572 | 616 | 660 | |
| | L/min | 0 | 166 | 300 | 400 | 500 | 566 | 633 | 666 | 733 | 800 | 833 | 900 | 1000 | 1166 | 1333 | 1500 | 1666 | 1833 | 2000 | 2166 | 2333 | 2500 | |
| JCS-S3A12S JCS-S3A12BRX JCS-S3A12TBX | H | 66 | 62 | 52 | 46 | 36 | 26 | | | | | | | | | | | | | | | | | |
| | Kw | 0,6 | 1,1 | 1,7 | 1,9 | 2,2 | 2,7 | | | | | | | | | | | | | | | | | |
| JCS-S3A16S JCS-S3A16BRX JCS-S3A16TBX | H | 82 | 79 | 75 | 71 | 61 | 52 | 39 | 30 | | | | | | | | | | | | | | | |
| | Kw | 0,75 | 1,45 | 2,05 | 2,30 | 2,3 | 2,7 | 2,9 | 3,0 | | | | | | | | | | | | | | | |
| JCS-S3A20S JCS-S3A20BRX JCS-S3A20TBX | H | 89 | | 82 | 77 | 69 | 59 | 46 | 43 | 39 | 36 | | | | | | | | | | | | | |
| | Kw | 0,95 | | 2,6 | 2,9 | 3,0 | 3,3 | 3,6 | 3,8 | 3,9 | 4,0 | | | | | | | | | | | | | |
| JCS-S3A24S JCS-S3A24BRX JCS-S3A24TBX | H | 92 | | 89 | 83 | 72 | 62 | 59 | 56 | 49 | 44 | | | | | | | | | | | | | |
| | Kw | 1,50 | | 3,2 | 3,6 | 4,2 | 4,6 | 4,9 | 5,0 | 5,1 | 5,2 | | | | | | | | | | | | | |
| JCS-S4A1655S JCS-S4A1655BRX | H | 70 | | | | 64 | 64 | 63 | 62 | 61 | 60 | 59 | 58 | 57 | 54 | 52 | 48 | 41 | 38 | 28 | 25 | | | |
| | Kw | 4,30 | | | | 5,10 | 5,2 | 5,4 | 5,50 | 5,60 | 5,70 | 5,80 | 5,9 | 6,0 | 6,4 | 6,6 | 6,9 | 7,1 | 7,2 | 7,3 | 7,3 | | | |

| Type | CAPACITY | | | | | | | | | | | | | | | | | | | | 2900 RPM | | | |
|--|-------------------|------|------|------|------|-----|------|------|------|------|------|------|------|-----|------|------|------|------|------|------|----------|------|------|--|
| | m ³ /h | 0 | 6 | 10 | 12 | 18 | 24 | 30 | 34 | 36 | 40 | 48 | 50 | 54 | 60 | 66 | 70 | 80 | 90 | 100 | 120 | 140 | 150 | |
| | gal/min | 0 | 26 | 44 | 53 | 79 | 106 | 132 | 150 | 159 | 176 | 211 | 220 | 238 | 264 | 291 | 308 | 352 | 396 | 440 | 528 | 616 | 660 | |
| | L/min | 0 | 100 | 166 | 200 | 300 | 400 | 500 | 566 | 600 | 666 | 800 | 833 | 900 | 1000 | 1100 | 1166 | 1333 | 1500 | 1666 | 2000 | 2333 | 2500 | |
| JCS-S2A17S JCS-S2A17BRX JCS-S2A17TBX | H | 46 | 43 | 39 | 38 | 30 | 20 | 10 | | | | | | | | | | | | | | | | |
| | Kw | 0,75 | 0,75 | 0,76 | 0,8 | 0,9 | 0,9 | 1,0 | | | | | | | | | | | | | | | | |
| JCS-S2A22S JCS-S2A22BRX JCS-S2A22TBX | H | 52 | 49 | 48 | 46 | 39 | 33 | 25 | 18 | | | | | | | | | | | | | | | |
| | Kw | 0,75 | 0,73 | 0,8 | 0,95 | 1,0 | 1,28 | 1,39 | 1,39 | | | | | | | | | | | | | | | |
| JCS-S3A12S JCS-S3A12BRX JCS-S3A12TBX | H | 108 | 105 | 98 | 95 | 85 | 75 | 66 | 59 | 49 | 36 | 13 | | | | | | | | | | | | |
| | Kw | 0,8 | 1,7 | 1,6 | 1,8 | 2,3 | 2,6 | 2,95 | 3,2 | 3,35 | 3,5 | 3,9 | | | | | | | | | | | | |
| JCS-S3A16S JCS-S3A16BRX JCS-S4A16TBX | H | 121 | 118 | 118 | 115 | 108 | 98 | 85 | 79 | 74 | 62 | 43 | | | | | | | | | | | | |
| | Kw | 1,1 | 1,4 | 2,0 | 2,2 | 2,7 | 3,3 | 3,8 | 4,0 | 4,3 | 4,6 | 5,0 | | | | | | | | | | | | |
| JCS-S3A20S JCS-S3A20BRX JCS-S3A20TBX | H | 126 | | | 123 | 115 | 108 | 92 | 85 | 80 | 69 | 52 | 23 | 16 | | | | | | | | | | |
| | Kw | 2,0 | | | 2,4 | 3,3 | 4,0 | 4,6 | 4,7 | 5,0 | 5,5 | 5,8 | 6,0 | 6,3 | | | | | | | | | | |
| JCS-S3A24S JCS-S3A24BRX JCS-S3A24TBX | H | 135 | | | 132 | 126 | 116 | 100 | 94 | 89 | 78 | 60 | 49 | 30 | | | | | | | | | | |
| | Kw | 2,3 | | | 2,9 | 3,6 | 4,5 | 5,1 | 5,4 | 5,6 | 6,0 | 6,8 | 7,0 | 7,3 | | | | | | | | | | |
| JCS-S3A26S JCS-S3A26BRX JCS-S3A26TBX | H | 49 | 46 | 44 | 43 | 39 | 37 | 34 | 31 | 30 | 28 | 21 | 20 | 18 | 13 | | | | | | | | | |
| | Kw | 1,0 | 1,1 | 1,2 | 1,2 | 1,3 | 1,4 | 1,50 | 1,55 | 1,65 | 1,6 | 1,7 | 1,75 | 1,8 | 1,9 | | | | | | | | | |
| JCS-S3A34S JCS-S3A34BRX JCS-S3A34TBX | H | 49 | 46 | 44 | 43 | 40 | 39 | 35 | 34 | 33 | 30 | 28 | 27 | 26 | 23 | 13 | | | | | | | | |
| | Kw | 1,9 | 2,1 | 2,2 | 2,2 | 2,3 | 2,4 | 2,5 | 2,6 | 2,6 | 2,7 | 2,7 | 2,8 | 2,8 | 2,9 | 3,0 | | | | | | | | |
| JCS-S4A45S JCS-S4A45BRX JCS-S4A45TBX | H | 46 | 43 | 42 | 41 | 37 | 36 | 34 | 34 | 34 | 33 | 30 | 29 | 28 | 26 | 25 | 21 | 17 | | | | | | |
| | Kw | 2,3 | 2,4 | 2,45 | 2,5 | 2,6 | 2,65 | 2,7 | 2,8 | 2,8 | 2,90 | 2,95 | 3,0 | 3,1 | 3,15 | 3,2 | 3,2 | 3,5 | | | | | | |
| JCS-S4A1655S JCS-S4A1655BRX | H | 93 | | | | | | | | | | | 80 | 79 | 79 | 77 | 75 | 74 | 71 | 66 | 54 | 39 | 32 | |
| | Kw | 7,0 | | | | | | | | | | | 8,4 | 8,5 | 8,8 | 9,2 | 9,3 | 9,8 | 10,3 | 10,5 | 11,0 | 11,1 | 11,2 | |



Series **JCS-S**

| Type | CAPACITY | | | | | | | | | | | | | | | | | | | 3000 RPM | | |
|--|-------------------|------|------|------|------|------|-----|------|------|------|------|-----|------|-----|------|------|------|------|------|----------|--|--|
| | m ³ /h | 0 | 6 | 12 | 18 | 24 | 30 | 33 | 36 | 40 | 44 | 48 | 50 | 54 | 60 | 66 | 72 | 78 | 87 | 96 | | |
| | gal/min | 0 | 26 | 53 | 79 | 106 | 132 | 145 | 159 | 176 | 194 | 211 | 220 | 238 | 264 | 291 | 317 | 343 | 383 | 423 | | |
| | L/min | 0 | 100 | 200 | 300 | 400 | 500 | 550 | 600 | 666 | 733 | 800 | 833 | 900 | 1000 | 1100 | 1200 | 1300 | 1450 | 1600 | | |
| JCS-S2A17S JCS-S2A17BRX JCS-S2A17TBX | H | 49 | 47 | 41 | 33 | 23 | 12 | | | | | | | | | | | | | | | |
| | Kw | 0,70 | 0,80 | 0,98 | 1,0 | 0,99 | 1,2 | | | | | | | | | | | | | | | |
| JCS-S2A22S JCS-S2A22BRX JCS-S2A22TBX | H | 52 | 52 | 48 | 43 | 36 | 29 | 23 | 13 | | | | | | | | | | | | | |
| | Kw | 1,70 | 0,80 | 1,0 | 1,40 | 1,5 | 1,6 | 1,7 | 1,8 | | | | | | | | | | | | | |
| JCS-S3A12S JCS-S3A12BRX JCS-S3A12TBX | H | 121 | 118 | 105 | 95 | 85 | 74 | 64 | 54 | 41 | 33 | 16 | | | | | | | | | | |
| | Kw | 1,1 | 1,8 | 2,1 | 2,6 | 3,3 | 3,7 | 4,1 | 4,5 | 4,8 | 5,0 | 5,3 | | | | | | | | | | |
| JCS-S3A16S JCS-S3A16BRX JCS-S3A16TBX | H | 138 | 136 | 125 | 118 | 108 | 94 | 85 | 77 | 69 | 57 | 46 | 41 | 26 | | | | | | | | |
| | Kw | 1,4 | 1,6 | 2,5 | 3,3 | 4,0 | 4,4 | 4,5 | 4,7 | 5,0 | 5,3 | 5,4 | 5,5 | 5,7 | | | | | | | | |
| JCS-S3A20S JCS-S3A20BRX JCS-S3A20TBX | H | 138 | | 135 | 125 | 118 | 100 | 91 | 88 | 74 | 61 | 53 | 39 | 33 | 10 | | | | | | | |
| | Kw | 2,2 | | 2,6 | 4,5 | 4,8 | 5,4 | 5,8 | 6,0 | 6,8 | 7,0 | 7,1 | 7,4 | 7,8 | 8,7 | | | | | | | |
| JCS-S3A24S JCS-S3A24BRX JCS-S3A24TBX | H | 146 | | 143 | 136 | 127 | 112 | 105 | 97 | 83 | 72 | 65 | 54 | 36 | 15 | | | | | | | |
| | Kw | 3,0 | | 3,3 | 4,2 | 5,2 | 6,3 | 6,7 | 7,0 | 7,5 | 7,3 | 8,0 | 8,5 | 9,0 | 10,8 | | | | | | | |
| JCS-S3A26S JCS-S3A26BRX JCS-S3A26TBX | H | 51 | 48 | 46 | 43 | 41 | 38 | 36 | 34 | 30 | 28 | 26 | 25 | 23 | 18 | | | | | | | |
| | Kw | 1,2 | 1,3 | 1,4 | 1,5 | 1,6 | 1,7 | 1,80 | 1,80 | 1,80 | 1,9 | 2,0 | 2,05 | 2,1 | 2,2 | | | | | | | |
| JCS-S3A34S JCS-S3A34BRX JCS-S3A34TBX | H | 51 | 49 | 46 | 44 | 43 | 39 | 38 | 37 | 33 | 32 | 32 | 31 | 31 | 28 | 21 | | | | | | |
| | Kw | 2,2 | 2,3 | 2,5 | 2,6 | 2,7 | 2,8 | 2,85 | 2,9 | 3,0 | 3,05 | 3,1 | 3,15 | 3,2 | 3,3 | 3,4 | | | | | | |
| JCS-S4A45S JCS-S4A45BRX JCS-S4A45TBX | H | 52 | 49 | 48 | 46 | 44 | 43 | 42 | 41 | 41 | 39 | 38 | 36 | 34 | 33 | 30 | 29 | 26 | 25 | 21 | | |
| | Kw | 2,0 | 3,2 | 3,2 | 3,3 | 3,4 | 3,4 | 3,4 | 3,5 | 3,5 | 3,5 | 3,6 | 3,6 | 3,8 | 3,8 | 3,8 | 3,9 | 3,9 | 3,9 | 4,0 | | |

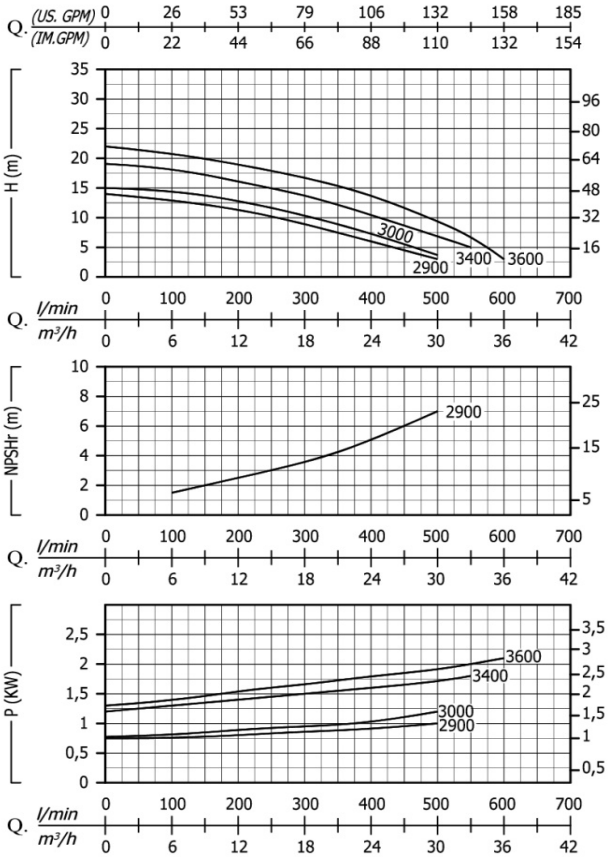
| Type | CAPACITY | | | | | | | | | | | | | | | | | | | 3400 RPM | | | |
|--|-------------------|------|------|------|-----|-----|-----|-----|-----|-----|-----|-----|-----|-----|------|------|------|------|------|----------|------|--|--|
| | m ³ /h | 0 | 6 | 12 | 18 | 24 | 30 | 33 | 36 | 40 | 44 | 48 | 50 | 54 | 60 | 66 | 69 | 72 | 78 | 87 | 96 | | |
| | gal/min | 0 | 26 | 53 | 79 | 106 | 132 | 145 | 159 | 176 | 194 | 211 | 220 | 238 | 264 | 291 | 304 | 317 | 343 | 383 | 423 | | |
| | L/min | 0 | 100 | 200 | 300 | 400 | 500 | 550 | 600 | 666 | 733 | 800 | 833 | 900 | 1000 | 1100 | 1150 | 1200 | 1300 | 1450 | 1600 | | |
| JCS-S2A17S JCS-S2A17BRX JCS-S2A17TBX | H | 62 | 59 | 52 | 44 | 33 | 21 | 16 | | | | | | | | | | | | | | | |
| | Kw | 1,20 | 1,30 | 1,40 | 1,5 | 1,6 | 1,7 | 1,8 | | | | | | | | | | | | | | | |
| JCS-S2A22S JCS-S2A22BRX JCS-S2A22TBX | H | 69 | 64 | 57 | 52 | 44 | 34 | 29 | 23 | 13 | | | | | | | | | | | | | |
| | Kw | 1,1 | 1,3 | 1,5 | 1,7 | 1,8 | 1,9 | 2,0 | 2,1 | 2,5 | | | | | | | | | | | | | |
| JCS-S3A26S JCS-S3A26BRX JCS-S3A26TBX | H | 66 | 62 | 59 | 56 | 54 | 50 | 49 | 46 | | | | | | | | | | | | | | |
| | Kw | 1,7 | 1,8 | 1,9 | 2,0 | 2,3 | 2,4 | 2,6 | 2,6 | | | | | | | | | | | | | | |
| JCS-S3A34S JCS-S3A34BRX JCS-S3A34TBX | H | 66 | 62 | 59 | 57 | 56 | 53 | 52 | 52 | 48 | 46 | 45 | 44 | 43 | 40 | 33 | 31 | 30 | | | | | |
| | Kw | 3,0 | 3,2 | 3,4 | 3,6 | 3,8 | 3,9 | 3,9 | 4,0 | 4,2 | 4,2 | 4,2 | 4,3 | 4,3 | 4,4 | 4,7 | 4,8 | 4,8 | | | | | |
| JCS-S4A45S JCS-S4A45BRX JCS-S4A45TBX | H | 66 | 62 | 59 | 58 | 57 | 56 | 55 | 54 | 52 | 51 | 49 | 48 | 46 | 45 | 43 | 41 | 39 | 38 | 33 | 30 | | |
| | Kw | 4,0 | 4,5 | 4,6 | 4,8 | 4,9 | 4,9 | 5,0 | 5,0 | 5,0 | 5,3 | 5,5 | 5,5 | 5,7 | 5,7 | 5,7 | 5,7 | 5,8 | 5,9 | 6,0 | 6,0 | | |

Series **JCS-S**

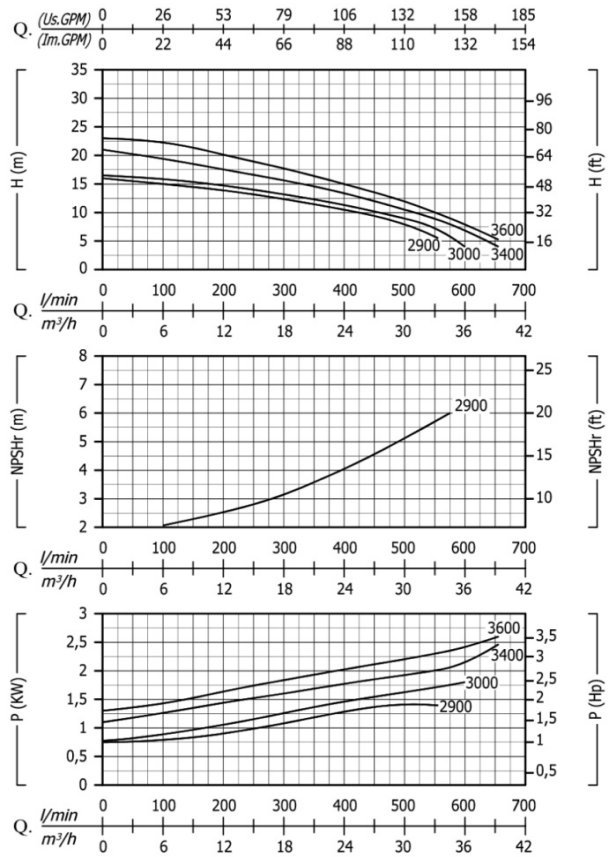
| Type | CAPACITY | | | | | | | | | | | | | | | | | | | | 3600 RPM | | |
|--|-------------------|------|------|------|------|------|-----|------|------|------|------|------|------|------|------|------|------|------|------|------|----------|--|--|
| | m ³ /h | 0 | 6 | 12 | 18 | 24 | 30 | 33 | 36 | 40 | 44 | 48 | 50 | 54 | 60 | 66 | 69 | 72 | 78 | 87 | 96 | | |
| | gal/min | 0 | 26 | 53 | 79 | 106 | 132 | 145 | 159 | 176 | 194 | 211 | 220 | 238 | 264 | 291 | 304 | 317 | 343 | 383 | 423 | | |
| L/min | 0 | 100 | 200 | 300 | 400 | 500 | 550 | 600 | 666 | 733 | 800 | 833 | 900 | 1000 | 1100 | 1150 | 1200 | 1300 | 1450 | 1600 | | | |
| JCS-S2A17S JCS-S2A17BRX JCS-S2A17TBX | H | 72 | 69 | 62 | 54 | 46 | 30 | 21 | 10 | | | | | | | | | | | | | | |
| | Kw | 1,30 | 1,40 | 1,60 | 1,7 | 1,80 | 1,9 | 2,0 | 2,10 | | | | | | | | | | | | | | |
| JCS-S2A22S JCS-S2A22BRX JCS-S2A22TBX | H | 75 | 72 | 64 | 58 | 50 | 38 | 33 | 26 | 17 | | | | | | | | | | | | | |
| | Kw | 1,30 | 1,40 | 1,7 | 1,80 | 2,1 | 2,2 | 2,3 | 2,4 | 2,6 | | | | | | | | | | | | | |
| JCS-S3A12S JCS-S3A12BRX JCS-S3A12TBX | H | 167 | 164 | 154 | 139 | 125 | 115 | 108 | 98 | 85 | 82 | 66 | 52 | 43 | | | | | | | | | |
| | Kw | 1,5 | 2,20 | 3,2 | 4,1 | 4,8 | 6,0 | 6,3 | 6,7 | 7,0 | 7,8 | 8,2 | 8,4 | 8,6 | | | | | | | | | |
| JCS-S3A16S JCS-S3A16BRX JCS-S3A16TBX | H | 194 | 190 | 176 | 164 | 151 | 138 | 130 | 121 | 112 | 102 | 90 | 82 | 64 | 33 | | | | | | | | |
| | Kw | 1,8 | 1,9 | 3,4 | 4,8 | 5,7 | 6,5 | 6,8 | 7,0 | 7,5 | 7,6 | 7,8 | 8,0 | 8,4 | 8,8 | | | | | | | | |
| JCS-S3A20S JCS-S3A20BRX JCS-S3A20TBX | H | 190 | | 189 | 177 | 167 | 146 | 144 | 141 | 125 | 118 | 110 | 92 | 82 | 44 | | | | | | | | |
| | Kw | 4,1 | | 4,2 | 6,8 | 7,6 | 8,9 | 9,6 | 9,6 | 10,0 | 10,5 | 11,0 | 11,2 | 11,6 | 12,4 | | | | | | | | |
| JCS-S3A24S JCS-S3A24BRX JCS-S3A24TBX | H | 197 | | | 193 | 185 | 171 | 162 | 154 | 138 | 131 | 123 | 115 | 102 | 75 | 52 | 39 | 20 | | | | | |
| | Kw | 7,0 | | | 7,2 | 8,0 | 9,1 | 10,0 | 11,0 | 12,0 | 12,3 | 12,6 | 12,8 | 13,0 | 13,5 | 13,5 | 13,7 | 14,0 | | | | | |
| JCS-S3A26S JCS-S3A26BRX JCS-S3A26TBX | H | 72 | 69 | 67 | 64 | 62 | 57 | 56 | 54 | 49 | 47 | 45 | 43 | 40 | 33 | 26 | | | | | | | |
| | Kw | 2,0 | 2,10 | 2,3 | 2,5 | 2,6 | 2,7 | 2,7 | 2,8 | 2,8 | 2,9 | 3,1 | 3,2 | 3,3 | 3,4 | 3,8 | | | | | | | |
| JCS-S3A34S JCS-S3A34BRX JCS-S3A34TBX | H | 72 | 69 | 67 | 64 | 62 | 61 | 59 | 58 | 54 | 52 | 52 | 51 | 49 | 47 | 39 | 36 | 33 | 10 | | | | |
| | Kw | 3,5 | 3,7 | 3,9 | 4,0 | 4,2 | 4,3 | 4,40 | 4,5 | 4,6 | 4,70 | 4,8 | 4,80 | 4,9 | 5,0 | 5,2 | 5,3 | 5,3 | 5,5 | | | | |
| JCS-S4A45S JCS-S4A45BRX JCS-S4A45TBX | H | 72 | 71 | 69 | 67 | 64 | 62 | 62 | 61 | 59 | 57 | 54 | 55 | 54 | 52 | 51 | 49 | 47 | 45 | 41 | 36 | | |
| | Kw | 5,0 | 5,3 | 5,5 | 5,7 | 5,85 | 5,6 | 6,1 | 6,15 | 6,2 | 6,3 | 6,3 | 6,4 | 6,7 | 6,7 | 6,75 | 6,7 | 6,75 | 6,75 | 6,8 | 6,9 | | |



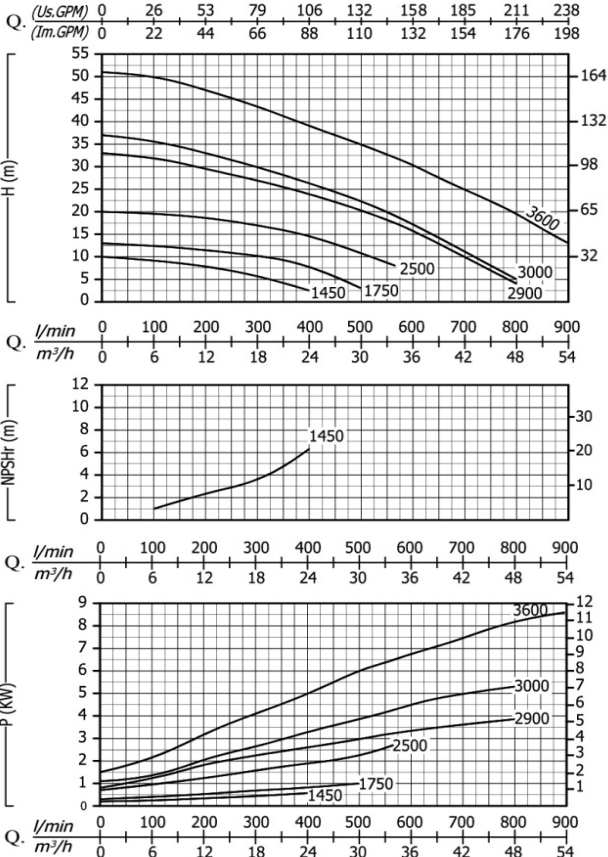
JCS-S2A17S



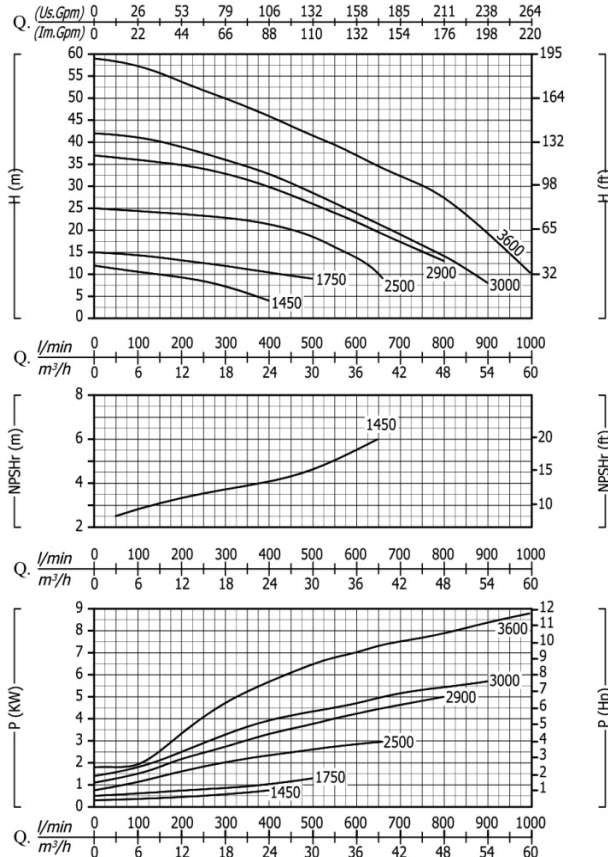
JCS-S2A22S

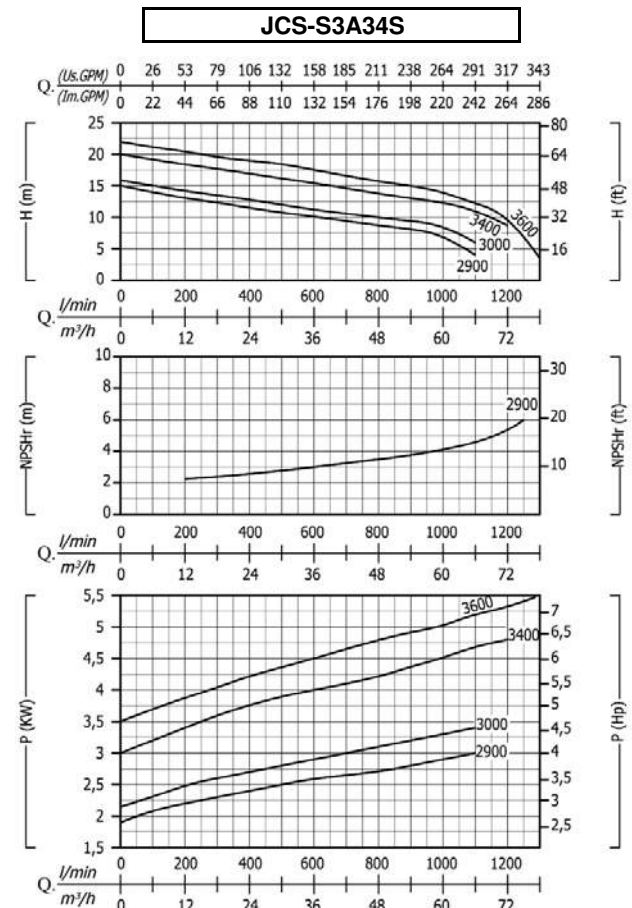
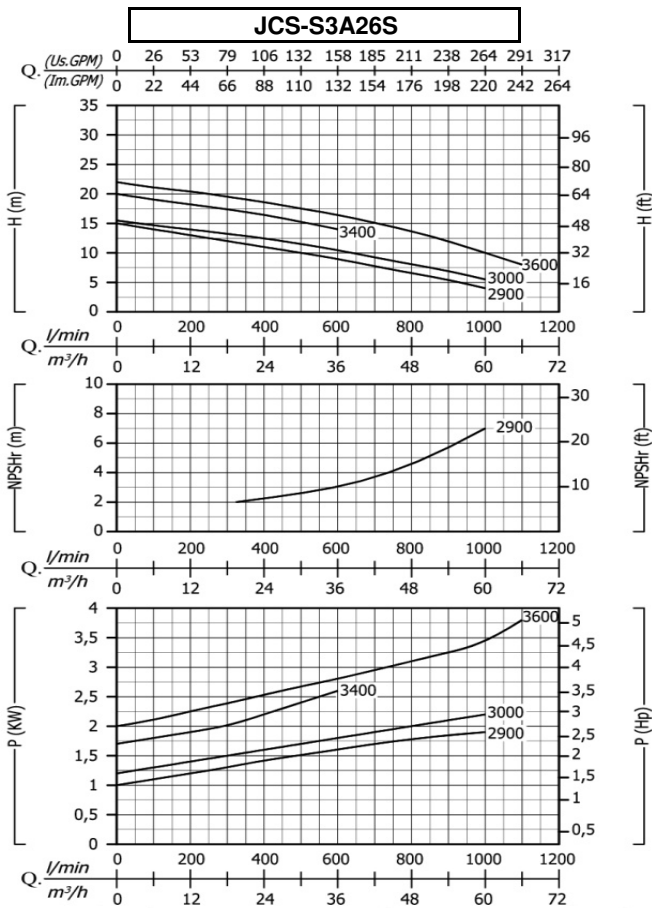
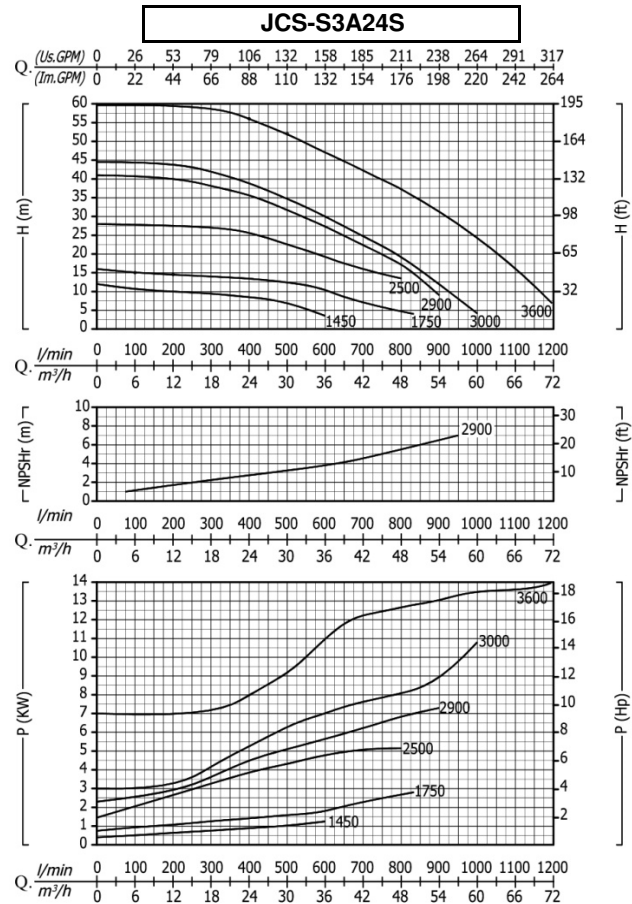
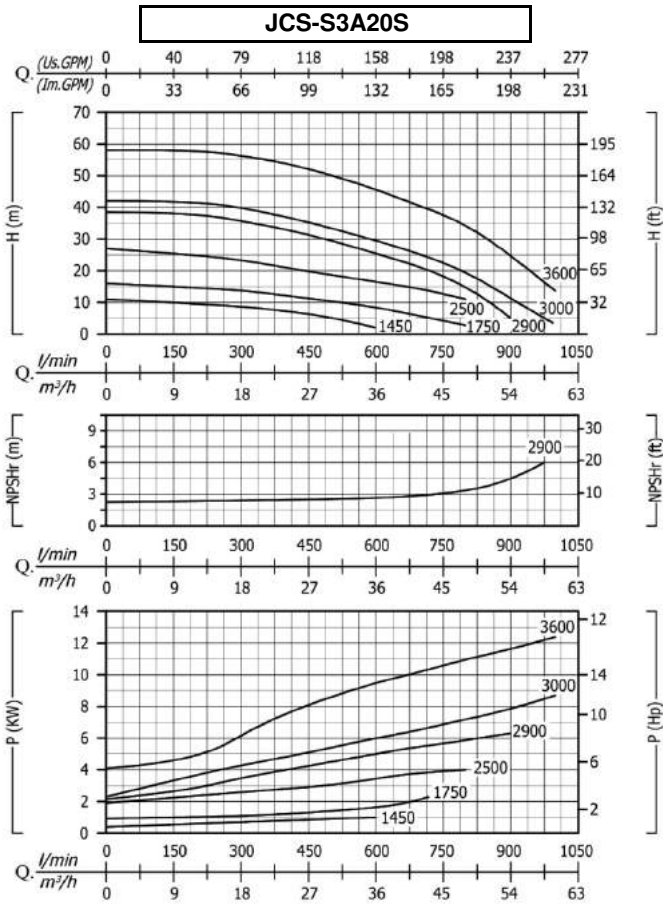


JCS-S3A12S



JCS-S3A16S

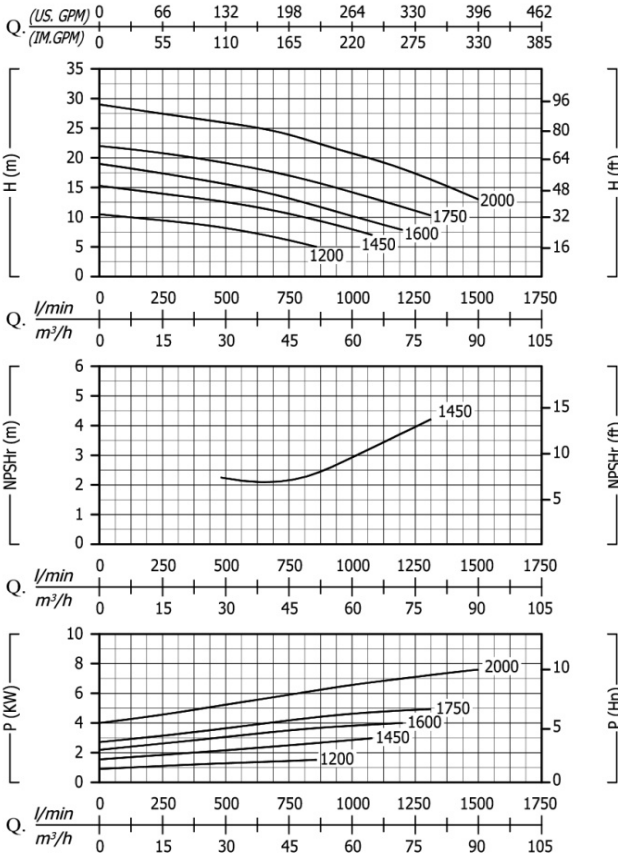




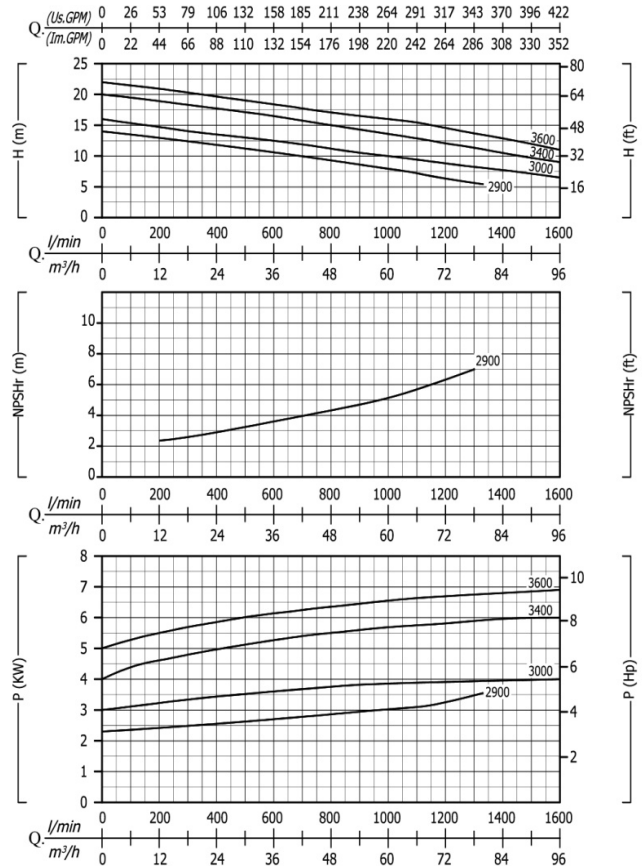


CURVE - CURVES - COURBES - CURVAS

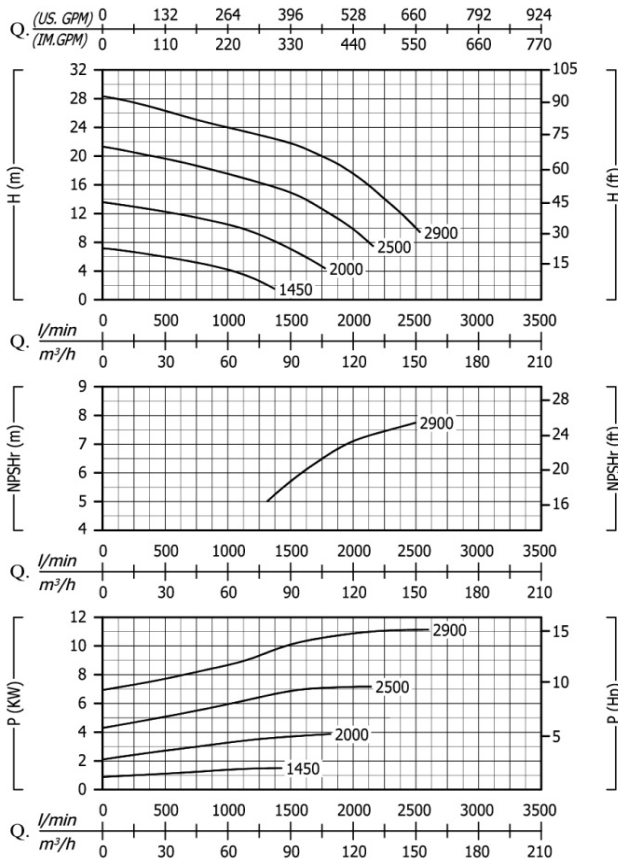
JCS-S3A2914S



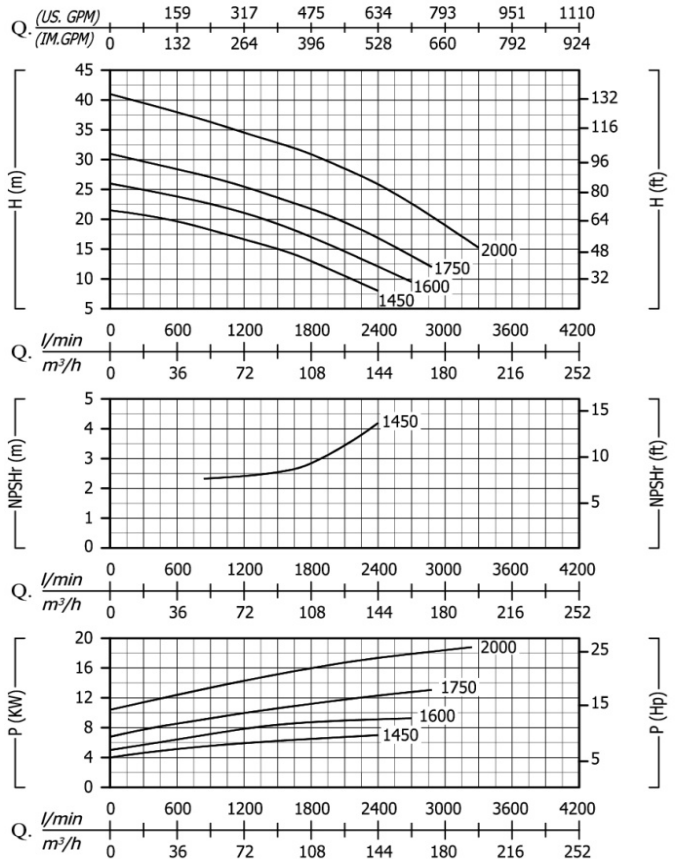
JCS-S43A45S



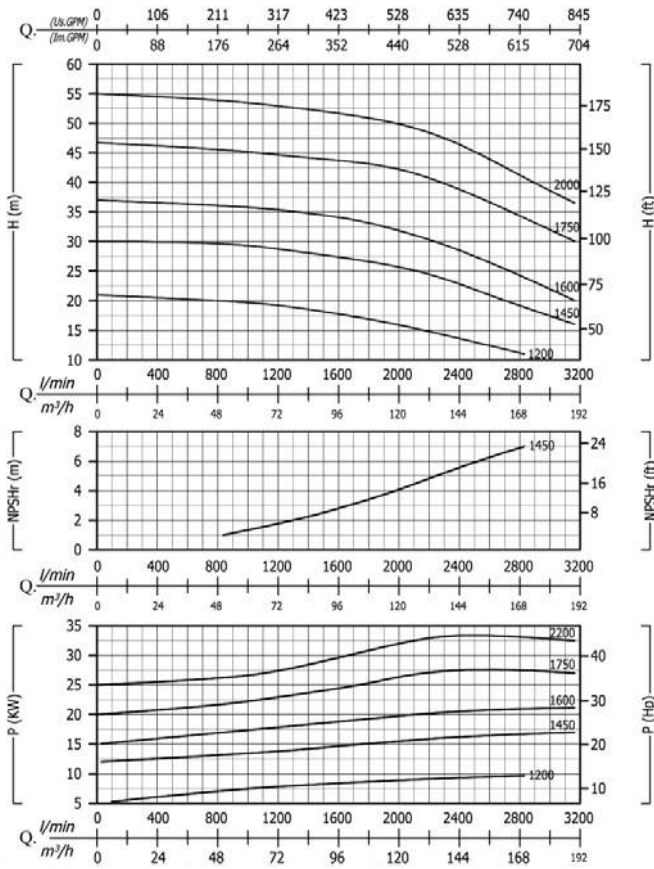
JCS-S4A1655S



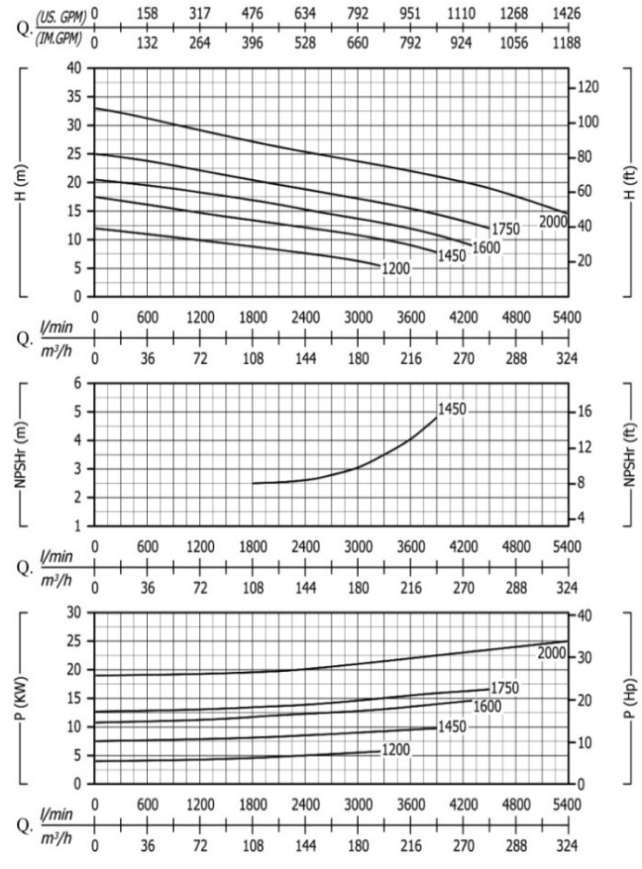
JCS-S4A1722S



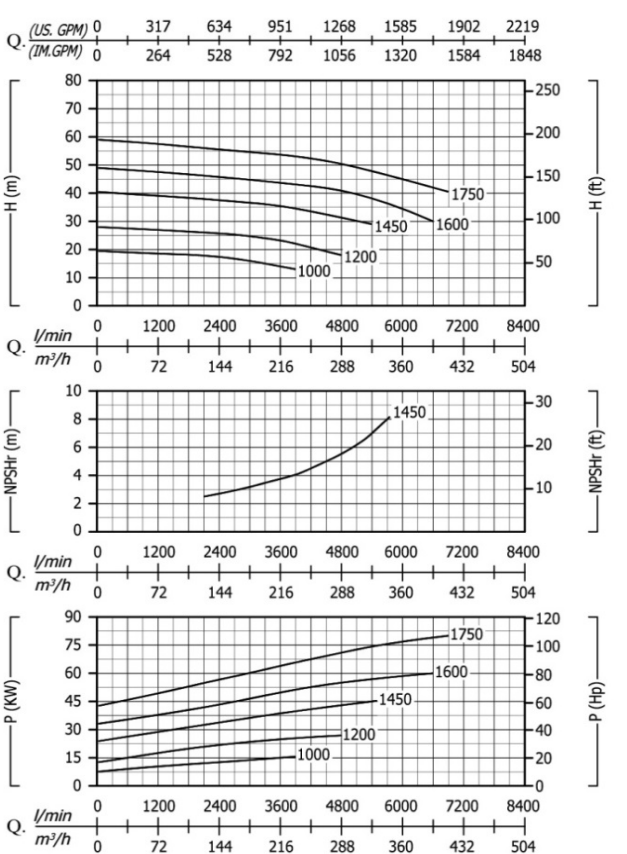
JCS-S4A1831S



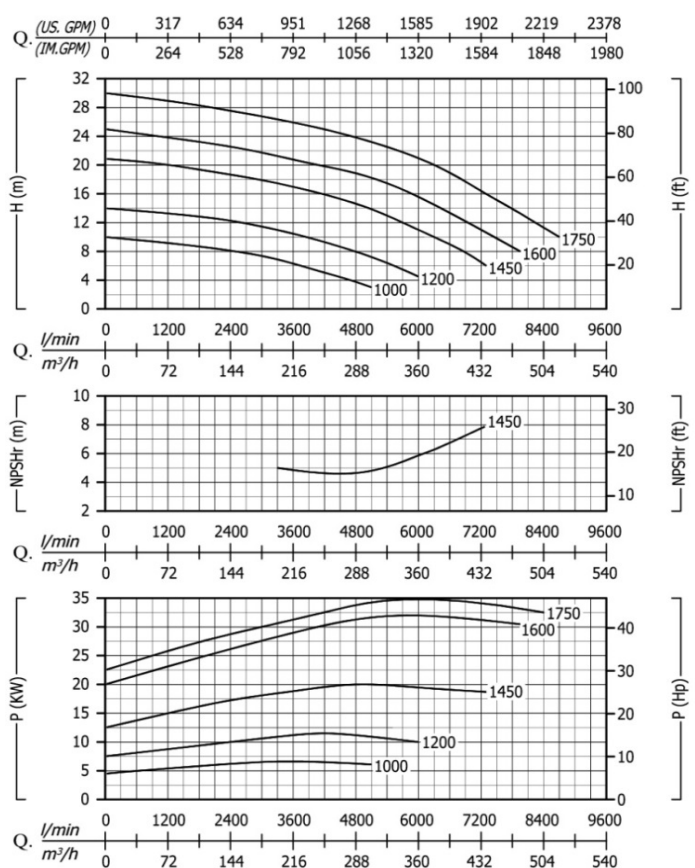
JCS-S6A2337S



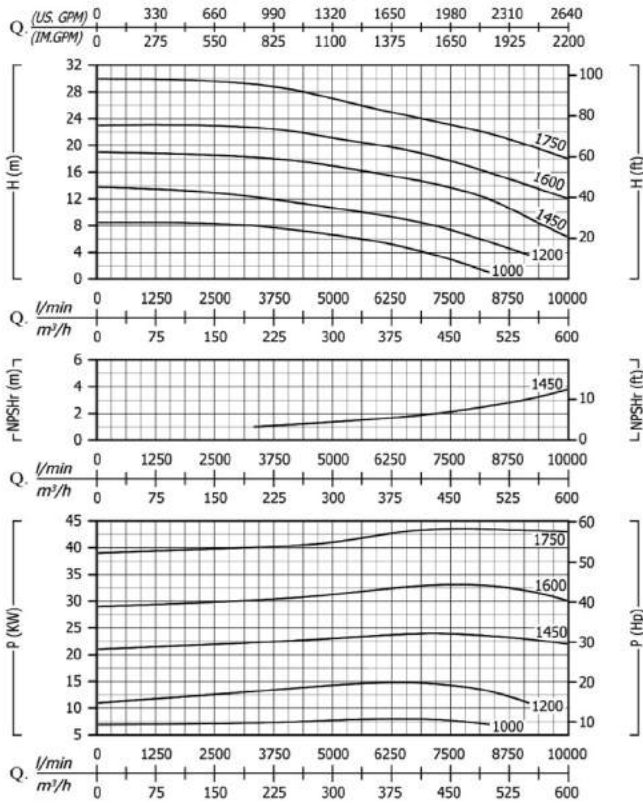
JCS-S6A2206S



JCS-S8A2414S



JCS-S10A2507S

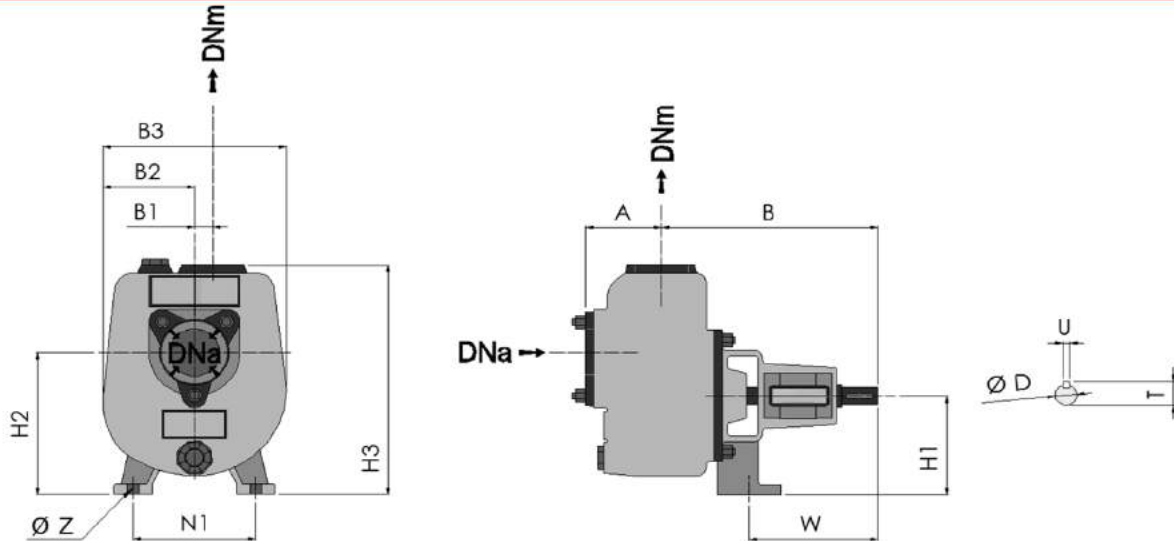


La specifiche tecniche sono soggette a variazioni senza preavviso / In line with our policy of continuous development
 Nous nous reservons le droit de changer les specifications techniques sans proavi / Nos reservamos el derecho de cambiar los datos de los productos sin previo aviso

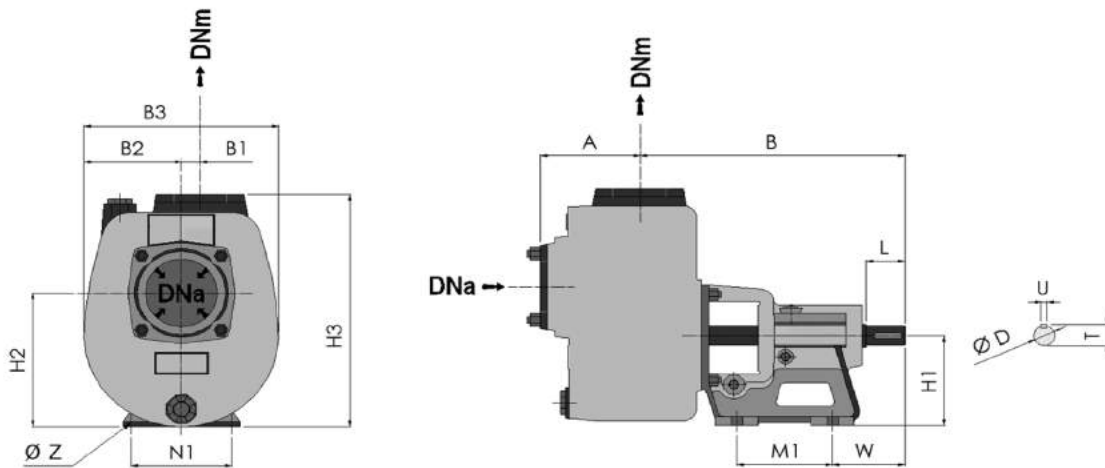
| Tipo -Type | Bocche pompa Ports pumps | | Passaggio corpi solidi Solids handling | Diametro girante Impeller diameter | Numero pale Number of blades | Peso Weight (lbs) |
|--------------|-----------------------------|-----------|---|---------------------------------------|---------------------------------|----------------------|
| | Dna | DNm | | | | |
| JCS-S2A17S | 2" | 2" | Ø 17 mm | Ø 108 mm | 3 | 31 |
| JCS-S2A22S | 2" | 2" | Ø 22 mm | Ø 108 mm | 7 | 31 |
| JCS-S3A12S | 3" | 3" | Ø 12 mm | Ø 180 mm | 5 | 104 |
| JCS-S3A16S | 3" | 3" | Ø 16mm | Ø 180 mm | 5 | 104 |
| JCS-S3A20S | 3" | 3" | Ø 20 mm | Ø 180 mm | 5 | 104 |
| JCS-S3A24S | 3" | 3" | Ø 24 mm | Ø 180 mm | 5 | 104 |
| JCS-S3A26S | 3" | 3" | Ø 26 mm | Ø 108 mm | 3 | 40 |
| JCS-S3A34S | 3" | 3" | Ø 34 mm | Ø 108 mm | 3 | 40 |
| JCS-S3A2914 | 3" | 3" | Ø 40 mm | Ø 215 mm | 3 | 163 |
| JCS-S4A45S | 4" | 4" | Ø 45 mm | Ø 129 mm | 3 | 106 |
| JCS-S4A1655S | 4" | 4" | Ø 50 mm | Ø 160 mm | 3 | 165 |
| JCS-S4A1722 | 4" | 4" | Ø 48 mm | Ø 249 mm | 2 | 287 |
| JCS-S4A1831S | 4" | 4" | Ø 38 mm | Ø 315 mm | 4 | 379 |
| JCS-S6A2206S | 150 (6") | 150 (6") | Ø 50 mm | Ø 375 mm | 4 | 893 |
| JCS-S6A2337S | 150 (6") | 150 (6") | Ø 76 mm | Ø 249,5 mm | 2 | 518 |
| JCS-S8A2414S | 200 (8") | 200 (8") | Ø 60 mm | Ø 297 mm | 4 | 653 |
| JCS-S10A2507 | 250 (10") | 250 (10") | Ø 76 mm | Ø 305 mm | 2 | 1213 |

CURVE - CURVES - COURBES - CURVAS

SCHEDA DATI - DATA SHEET - DONNES - DATOS

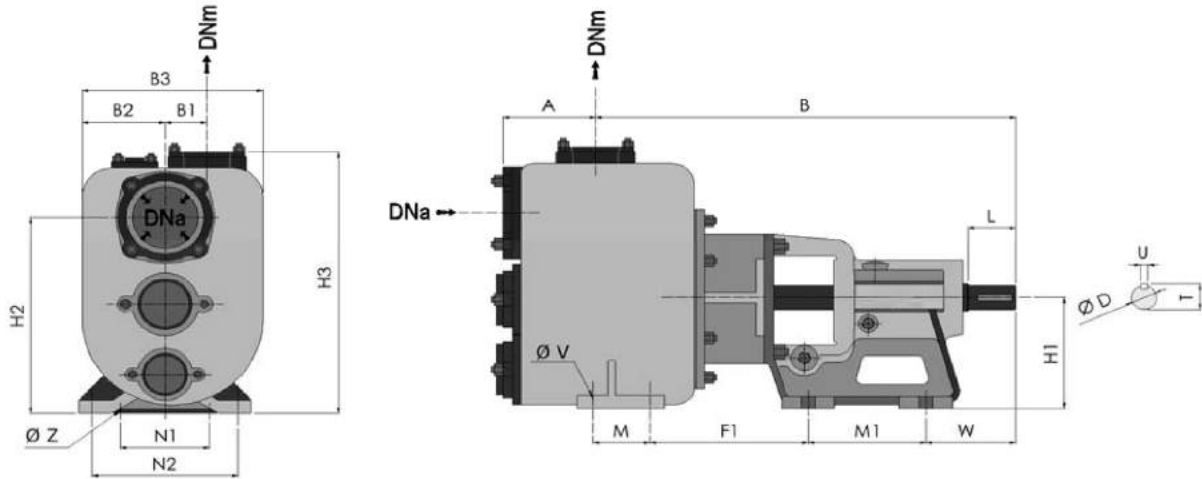


| Type | TABLE | | | | | | | | | | | | | | |
|------------|-------|----|----|----|----|----|----|----|---|---|---|---|-----|---|-----|
| | B1 | B2 | B3 | H1 | H2 | H3 | N1 | F | A | L | W | T | U | D | Z |
| JCS-S2A17S | 1 | 3 | 8 | 5 | 6 | 11 | 6 | 9 | 3 | 2 | 5 | 1 | 0.2 | 1 | 0.1 |
| JCS-S2A22S | 1 | 3 | 8 | 5 | 6 | 11 | 6 | 9 | 3 | 2 | 5 | 1 | 0.2 | 1 | 0.1 |
| JCS-S3A26S | 1 | 5 | 9 | 5 | 6 | 12 | 6 | 10 | 5 | 2 | 5 | 1 | 0.2 | 1 | 0.1 |
| JCS-S3A34S | 1 | 5 | 9 | 5 | 6 | 12 | 6 | 10 | 5 | 2 | 5 | 1 | 0.2 | 1 | 0.1 |



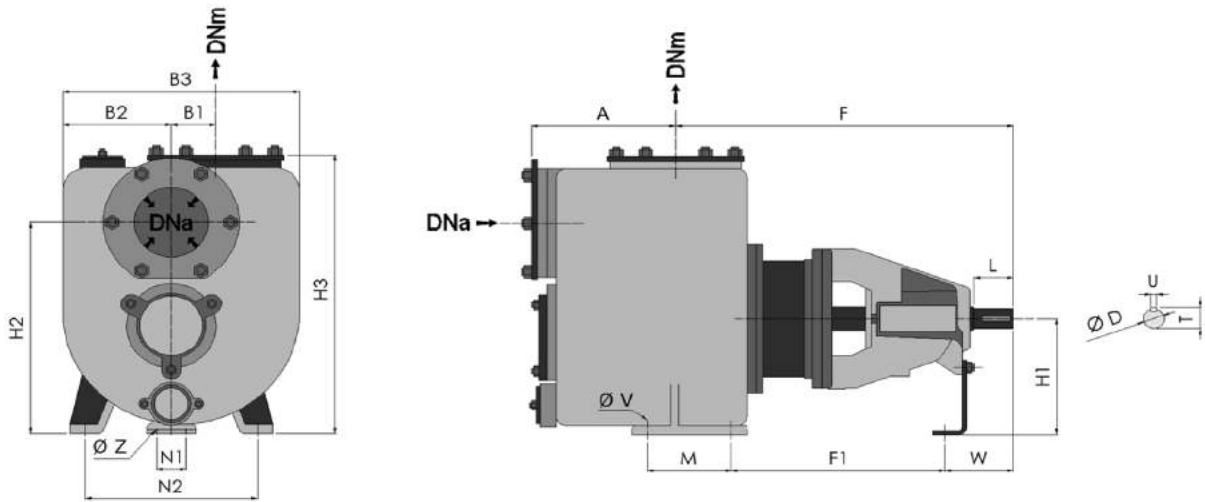
| Type | TABLE | | | | | | | | | | | | | | | |
|--------------|-------|----|----|----|----|----|----|----|---|---|---|----|---|-----|---|-----|
| | B1 | B2 | B3 | H1 | H2 | H3 | N1 | F | A | L | W | M1 | T | U | D | Z |
| JCS-S3A12S | 1 | 5 | 11 | 5 | 9 | 15 | 5 | 16 | 5 | 2 | 4 | 5 | 1 | 0.2 | 1 | 0.6 |
| JCS-S3A16S | 1 | 5 | 11 | 5 | 9 | 15 | 5 | 16 | 5 | 2 | 4 | 5 | 1 | 0.2 | 1 | 0.6 |
| JCS-S3A20S | 1 | 5 | 11 | 5 | 9 | 15 | 5 | 16 | 5 | 2 | 4 | 5 | 1 | 0.2 | 1 | 0.6 |
| JCS-S3A24S | 1 | 5 | 11 | 5 | 9 | 15 | 5 | 16 | 5 | 2 | 4 | 5 | 1 | 0.2 | 1 | 0.6 |
| JCS-S4A45S | 1 | 6 | 11 | 5 | 8 | 14 | 5 | 17 | 4 | 2 | 4 | 5 | 1 | 0.2 | 1 | 0.6 |
| JCS-S4A1655S | 1 | 6 | 12 | 6 | 13 | 18 | 6 | 20 | 7 | 3 | 5 | 6 | 1 | 0.3 | 1 | 0.6 |

DIMENSIONS



DIMENSIONS

| Type | TABLE | | | | | | | | | | | | | | | | | | | |
|-------------|-------|----|----|----|----|----|----|----|----|---|---|---|----|----|---|---|-----|---|-----|-----|
| | B1 | B2 | B3 | H1 | H2 | H3 | N1 | N2 | F | A | L | W | M1 | F1 | M | T | U | D | V | Z |
| JCS-S3A2914 | 3 | 6 | 12 | 6 | 12 | 16 | 6 | 10 | 18 | 6 | 2 | 4 | 5 | 6 | 4 | 1 | 0.3 | 1 | 0.6 | 0.6 |



| Type | TABLE | | | | | | | | | | | | | | | | | | | |
|--------------|-------|----|----|----|----|----|----|----|----|----|---|---|----|----|---|-----|---|-----|-----|--|
| | B1 | B2 | B3 | H1 | H2 | H3 | N1 | N2 | F | A | L | W | F1 | M | T | U | D | V | Z | |
| JCS-S4A1722 | 6 | 7 | 14 | 8 | 14 | 19 | 2 | 12 | 23 | 11 | 3 | 5 | 18 | 4 | 2 | 0.5 | 2 | 0.6 | 0.5 | |
| JCS-S4A1831 | 9 | 9 | 21 | 11 | 18 | 23 | 6 | 16 | 24 | 10 | 4 | 7 | 17 | 6 | 2 | 0.5 | 2 | 0.6 | 0.7 | |
| JCS-S6A2206 | 11 | 11 | 27 | 14 | 25 | 31 | 2 | 18 | 27 | 15 | 4 | 6 | 18 | 8 | 2 | 0.5 | 2 | 0.7 | 0.5 | |
| JCS-S6A2337 | 4 | 9 | 19 | 10 | 18 | 24 | 2 | 14 | 27 | 11 | 3 | 5 | 17 | 7 | 2 | 0.5 | 2 | 0.7 | 0.5 | |
| JCS-S8A2414 | 3 | 11 | 23 | 12 | 21 | 28 | 2 | 18 | 31 | 12 | 4 | 7 | 20 | 8 | 2 | 0.5 | 2 | 0.7 | 0.5 | |
| JCS-S10A2507 | 10 | 12 | 30 | 14 | 27 | 37 | 6 | 18 | 28 | 19 | 4 | 7 | 19 | 10 | 2 | 0.6 | 2 | 0.7 | 0.7 | |

Le specifiche tecniche sono soggette a variazioni senza preavviso / The company reserves the right to make changes without notice
 Nous nous reservons le droit de changer les specifications techniques sans proavi / Nos reservamos el derecho de cambiar los datos de los productos sin previo aviso

CONDIZIONI DI GARANZIA

NOTE GENERALI

Le presenti condizioni generali di vendita s'intendono accettate dal cliente con la conferma dell'ordine. Solo l'accettazione scritta da parte dell' JMS Elettropompe srl, conferisce validità e conferma all'ordine del cliente.

MANUFATTO

L'ordine dei prodotti alla JMS Elettropompe srl sottintende da parte dell'acquirente, che ne siano state preventivamente esaminate ed approvate le caratteristiche costruttive e funzionali dichiarate nelle documentazioni tecnico-illustrative e/o nella offerta formulata dal commerciale.

Ne consegue che nessuna riserva o richiesta di modifica/sostituzione può considerarsi giustificata a seguito di fornitura avvenuta in piena conformità con quanto ordinato.

SPEDIZIONI

La responsabilità per danni e/o smarrimenti è a carico del trasportatore anche nei casi di resa franco destino. L' JMS Elettropompe srl, salvo diversa indicazione del cliente in fase d'ordine, si riserva la scelta del trasportatore più idoneo. Il controllo di conformità della fornitura e della qualità formale dei colli, relativamente a danni palesi causati durante il trasporto, deve avvenire al momento della consegna. Eventuali difformità rispetto all'avviso di spedizione e/o danneggiamenti riconducibili alla fase del trasporto non configurano alcuna responsabilità a carico dell' JMS Elettropompe srl che potrà venire tuttavia informata dell'accaduto fornendole copia della riserva scritta apposta sul relativo documento di consegna del trasportatore, sottoscritto per accettazione. Eventuali ritardi di consegna totale o parziale della merce rispetto ai tempi concordati e sottoscritti, non configurano alcuna responsabilità a carico dell' JMS Elettropompe srl qualora dovuti a: scioperi, eventi naturali incedi, mancato o ridotto approvvigionamento di materie prime per ritardi sub-fornitori, difficoltà dei trasporti, guasti agli impianti di produzione.

GARANZIA

Durata e decorrenza, salvo diversa dichiarazione scritta:

- 12 mesi dalla data di fattura;
- 6 mesi per quadri elettrici, riparazioni e ricambi.

La ditta JMS Elettropompe srl presta le garanzie di legge coprendo difetti di costruzione del materiale prodotto dall' JMS Elettropompe srl, essa inoltre si limita alla riparazione o sostituzione delle macchine o del pezzo riconosciuti difettosi presso i nostri stabilimenti dopo attenta verifica da parte dei nostri Tecnici, riservandoci l'insindacabile giudizio sulla causa del difetto.

La garanzia dell'JMS Elettropompe srl è valida solo:

- se il guasto è dovuto a difetti di lavorazione, fabbricazione o dei materiali;
- se il guasto viene comunicato alla JMS, o ad un suo rappresentante, entro il periodo di scadenza della garanzia stessa;
- se il prodotto viene usato esclusivamente nelle condizioni descritte dalle istruzioni per l'installazione e manutenzione, secondo gli impieghi previsti;
- se i sistemi di controllo incorporati nei prodotti sono correttamente collegati;
- se tutti i lavori di riparazione e manutenzione vengono effettuati in officine o Centri di Assistenza Autorizzati JMS Elettropompe srl;
- se vengono impiegate parti di ricambio originali JMS.

Ulteriori condizioni:

- Segnalazioni di vizi palesi di costruzione e/o di materiale devono avvenire entro 8 giorni dalla ricezione della merce, mediante comunicazione scritta. La macchina difettosa dovrà pervenire presso nostri stabilimenti o nostri Centri di Assistenza Autorizzati, in modalità porto franco e riconsegna in porto assegnato
- Il riconoscimento della garanzia è vincolato all'avvenuto assolvimento degli obblighi contrattuali da parte del cliente.
- In nessun caso la garanzia configura responsabilità per danni arrecati a persone e cose (inclusi sospensioni improvvise di processi produttivi)
- La presunzione o l'accertamento di vizi a carico del prodotto non giustificano inadempienze verso gli obblighi contrattuali
- Per avvalersi della garanzia bisogna produrre all' JMS Elettropompe srl documento di vendita riportante data, nome modello e numero di serie.
- La fornitura di accessori e componenti privi del marchio dell' JMS Elettropompe srl, in quanto acquistati da terzi, esclude ogni tipo di responsabilità da parte della medesima
- La garanzia s'intende franco magazzino dal quale è stata effettuata la fornitura, inclusa la restituzione di pezzi difettosi, e consiste nella riparazione e/o sostituzione di pezzi di cui l' JMS Elettropompe srl ne abbia accertato il difetto.
- Si intendono esclusi dalla garanzia qualsiasi danno arrecato nella fase di trasporto e/o a causa di errori di richieste, imperizia nell'installazione, nell'uso delle prescrizioni tecniche, funzionamento sotto inverter ad un regime giri inferiore a quello prescritto, manomissioni e/o riparazioni effettuate al di fuori delle strutture di assistenza autorizzate dall' JMS Elettropompe srl.
- In nessun caso comunque la garanzia implica la possibilità di richiesta di indennità e si declina ogni responsabilità per danni materiali e corporali che venissero causati dalle macchine JMS, sia diretti che indiretti causati da errato utilizzo.

Teniamo in oltre a precisare che la garanzia decade:

- se la macchina è stata riparata, smontata o manomessa da persone non autorizzate;
- se il guasto è stato provocato da errori di collegamento elettrico od idraulico, da mancata o non adeguata protezione;
- se l'applicazione delle macchine non è stata eseguita correttamente;
- se la macchina ha lavorato in assenza di acqua;
- se la macchina è stata assoggettata a sovraccarichi oltre i limiti di targa;
- se i materiali sono stati guastati a seguito del contatto con liquidi abrasivi o corrosivi comunque non compatibili con i materiali impiegati nella costruzione delle pompe;
- se i materiali sono avariati a seguito del naturale logoramento.

WARRANTY CONDITIONS

GENERAL NOTES

These general conditions of sale means accepted by the customer with the order confirmation. Only the written acceptance by the JMS Elettropompe srl gives validity and confirms the order of the customer.

MANUFACTURE

The order of the products to the JMS Elettropompe srl implied by the purchaser, that the structural and functional features stated in the explanatory technical documentation and / or the offer made by the commercial has been previously considered and approved. It follows that any reservation or request for modification / replacement can be regarded as justified as a result of supply took place in full compliance with the order.

SHIPMENTS

The liability for damage and / or loss is charged to the carrier even in the case of DAP carriage. JMS Elettropompe srl, unless otherwise specified by the customer at time of order, reserves the choice of the most suitable carrier. The compliance check of the supply and the formal quality of the packages, relatively obvious damage caused during transport, must take place at the time of delivery. Any differences in the notice of shipment and / or damage attributable to the phase of transport no liability borne by JMS Elettropompe srl that will come, however, informed of the incident by providing reserve copy written specifically on the delivery bill conveyer, signed for acceptance. Any delay of total or partial delivery of the goods with respect to the agreed time and signed, no liability borne by the JMS Elettropompe srl if due to strikes, natural disasters, fires, failure or reduced supply of raw materials for delays sub-suppliers, transport difficulties, breakdowns in production facilities.

WARRANTY

Duration and effective date, unless otherwise written statement:

- 12 months from the date of invoice;
 - 6 months for switchboards, repairs and spare parts.
- The company JMS Elettropompe srl lends legal guarantees covering structural defects of the material produced by JMS Elettropompe srl; It also is limited to repairs or replacement of machines or recognized as defective piece in our factory after careful review by our technicians, we reserve the final judgment on the cause of the defect.
- The JMS Elettropompe srl guarantee is only valid:
- if the fault is due to defects in workmanship, material or production;
 - If the fault is reported to JMS, or his representative, within the warranty expiration period of the same;
 - if the product is used only under conditions described in the instructions for the 'installation and maintenance, according to the intended uses;
 - if the control systems used in the products are properly connected;
 - If all repair and maintenance works are carried out in workshops or authorized service centers JMS Elettropompe srl;
 - if you are used parts of original JMS parts.

Additional conditions:

- Reports of obvious defects of construction and / or material must take place within 8 days of receipt of goods, by written notice. The faulty machine must be received at our facilities or our authorized service centers, transport charges paid by the client
- The recognition of the guarantee is bound to place fulfillment of contractual obligations by the customer.
- In no case the warranty involves responsibility for damage caused to people and things (including sudden suspension of production processes)
- The presumption or the reporting of charged defects of the product do not justify non-compliance to the contractual obligations
- To obtain the guarantee is necessary to produce sales document showing date, model name and serial number for JMS Elettropompe srl.
- The supply of accessories and components have the mark of JMS Elettropompe srl, as acquired from third parties, excludes any kind of liability on the part of the same
- The guarantee is ex-stock from which it was being made, including the return of defective parts, and be limited to repair and / or replacement of parts of which the JMS Elettropompe srl is satisfied as the defect.
- We intend excluded from the warranty any damage caused during transport and / or due to demands mistakes, incompetence installation, use of the technical requirements, operating under inverter to a lower than prescribed rpm, tampering and / or repairs done outside of care facilities authorized by 'JMS Elettropompe srl. In no case, however, the guarantee implies the possibility to claim for benefits and assume no liability for material and corporal damages that are caused by JMS machines, whether direct or indirect caused by misuse.
- We value besides specifying that the warranty expires:
 - If the machine has been repaired, taken apart or tampered with by unauthorized persons;
 - if the fault was caused by an electric or hydraulic connection errors, failure or inadequate protection;
 - if the application of the machines has not been performed correctly;
 - if the machine has worked in the absence of water;
 - If the machine has been subjected to overloading exceeding the rating limits;
 - if the materials have been failed as a consequence of the contact with abrasive or corrosive liquids however not compatible with the materials used in the construction of the pumps;
 - if the materials are damaged as a result of natural attrition.

CONDITIONS DE GARANTIE

NOTES GÉNÉRALES

Ces conditions générales de vente moyens acceptés par le client avec une confirmation de commande. Seule l'acceptation écrite par JMS Elettropompe srl donne la validité et confirmation de la commande du client.

ARTEFAC

La commande des produits à JMS Elettropompe srl impliquée par l'acheteur, que les caractéristiques structurelles et fonctionnelles indiquées dans la documentation technique explicative et / ou l'offre faite par le commercial a été précédemment examiné et approuvé. Il résulte qu'aucun réservation ou demande de modification / remplacement peuvent être considérées comme justifiées en raison de l'offre a eu lieu en pleine conformité avec l'ordre.

EXPEDITIONS

La responsabilité pour les dommages et / ou la perte est à la charge du transporteur, même dans le cas de rendement DAP. JMS Elettropompe srl, sauf indication contraire par le client au moment de la commande, se réserve le choix du transporteur le plus approprié. La vérification de la conformité de l'offre et la qualité formelle des emballages, des dommages relativement évidents causés lors du transport, doivent avoir lieu au moment de la livraison. Aucune responsabilité par toute différence dans l'avis d'expédition et / ou des dommages imputables à la phase du transport est supportée par JMS Elettropompe srl qui viendra, cependant, informé de l'incident en fournissant réserve copie écrite spécifiquement sur le bordereau de livraison convoyeur, signé pour acceptation. Tout retard de livraison totale ou partielle de biens que le temps convenu et signé, aucune responsabilité portée par JMS Elettropompe srl si elle est due à des grèves, des catastrophes naturelles, les incendies, l'échec ou réduit l'approvisionnement en matières premières pour les retards sous-traitants, les difficultés de transport, les pannes dans les installations de production.

GARANTIE

Durée et date d'effet, sauf déclaration contraire écrite:

- 12 mois à compter de la date de la facture;
- 6 mois pour les tableaux, les réparations et les pièces de rechange.

La société JMS Elettropompe srl prête garanties juridiques couvrant les défauts structurels de la matière produite par JMS Elettropompe srl; Il est également limité à la réparation ou le remplacement des machines ou reconnu comme pièce défectueuse dans notre usine après un examen minutieux par nos techniciens, nous nous réservons le jugement final sur la cause du défaut.

La garantie JMS Elettropompe srl est uniquement valable:

- si le défaut est dû à des défauts de fabrication, du matériel ou de la production;
- Si le défaut est signalé à JMS, ou son représentant, dans le délai de garantie d'expiration de la même;
- si le produit est utilisé uniquement dans les conditions décrites dans les instructions pour l'installation et la maintenance, en fonction des utilisations prévues;
- si les systèmes de contrôle utilisés dans les produits sont correctement connectés;
- Si tous les travaux de réparation et d'entretien sont effectués dans des ateliers ou centres de réparation agréés JMS Elettropompe srl;
- si vous êtes habitué des parties de pièces de JMS originales;

Conditions supplémentaires:

- Rapports des défauts évidents de construction et / ou matériel doit avoir lieu dans les 8 jours suivant la réception des marchandises, par notification écrite. La machine défectueuse doit être reçue à nos installations ou de nos centres de service autorisés, à votre charge;
 - La reconnaissance de la garantie est tenu de placer le respect des obligations contractuelles par le client;
 - En aucun cas, la garantie implique une responsabilité pour les dommages causés aux personnes et aux choses (y compris la suspension soudaine des processus de production);
 - La présomption ou la déclaration des défauts chargés du produit ne justifie pas le non-respect des obligations contractuelles;
 - Pour bénéficier de la garantie est nécessaire pour produire un document de vente date, le nom du modèle et le numéro de série montrant pour JMS Elettropompe srl;
 - La fourniture d'accessoires et composants ont la marque de JMS Elettropompe srl, comme acquis auprès de tiers, exclut toute forme de responsabilité de la part du même;
 - La garantie est ex stock à partir de laquelle il a été faite, y compris le retour des pièces défectueuses, et être limitée à la réparation et / ou remplacement de pièces, dont JMS Elettropompe srl est convaincu que le défaut;
 - Nous avons l'intention exclus de la garantie les dommages causés lors du transport et / ou en raison de demandes des erreurs, l'installation de l'incompétence, l'utilisation des exigences techniques, opérant sous l'onduleur à un régime inférieur à celui prescrit, la falsification et / ou réparations effectuées en dehors des établissements de soins autorisés par JMS Elettropompe srl. En aucun cas, cependant, la garantie implique la possibilité de réclamer des avantages et décline toute responsabilité pour les dommages matériels et corporels qui sont causés par des machines JMS, qu'ils soient directs ou indirects causés par une mauvaise utilisation.
- Nous apprécions d'ailleurs préciser que l'expiration de la garantie:
- Si la machine a été réparé, démonté ou altéré par des personnes non autorisées;
 - Si le défaut a été causé par une erreur de connexion électrique ou hydraulique, l'échec ou une protection inadéquate;
 - Si l'application des machines n'a pas été effectuée correctement;
 - Si la machine a travaillé en l'absence d'eau;
 - Si la machine a été soumise à une surcharge dépassant les limites de notation;
 - Si les matériaux ont échoué en raison du contact avec des liquides corrosifs ou abrasifs cependant pas compatibles avec les matériaux utilisés pour la construction des pompes;
 - Si les matériaux sont endommagés à la suite de l'attrition naturelle.

CONDICIONES DE LA GARANTÍA

NOTAS GENERALES

Estas condiciones generales de venta medio aceptado por el cliente con una confirmación de pedido. Sólo la aceptación por escrito por el JMS Elettropompe srl da validez y confirma el pedido del cliente.

ARTEFACTO

El orden de los productos para el JMS Elettropompe srl implícita por parte del comprador, que las características estructurales y funcionales indicadas en la documentación técnica explicativa y / o la oferta hecha por el comercial ha sido considerado y aprobado previamente. De ello se desprende que cualquier reserva o solicitud de modificación / sustitución pueden considerarse justificadas como consecuencia de la oferta tuvo lugar en el pleno cumplimiento de la orden.

ENVÍOS

La responsabilidad por los daños y / o pérdidas se carga al transportista, incluso en el caso de rendimiento DAP. JMS Elettropompe srl, a menos que se especifique lo contrario por el cliente en el momento del pedido, se reserva la elección del soporte más adecuado. La prueba de conformidad de la oferta y la calidad formal de los paquetes, relativamente obvia daños causados durante el transporte, deben tener lugar en el momento de la entrega. Cualquier diferencia en la declaración de embarque y / o daños atribuibles a la fase de transporte ninguna responsabilidad a cargo de JMS Elettropompe srl que vendrá, sin embargo, informo del incidente al proporcionar copia de reserva por escrito específicamente en la factura de entrega transportadora, firmó para su aceptación. Cualquier retraso de la ejecución total o parcial de los bienes con respecto a la hora acordada y firmada, declinan toda responsabilidad a cargo de JMS Elettropompe srl si debido a las huelgas, desastres naturales, incendios, fallas o la reducción del suministro de materias primas para los retrasos sub-proveedores, las dificultades de transporte, averías en instalaciones de producción

GARANTIA

Duración de la garantía y la fecha de vigencia, a menos que de otro modo declaración escrita:

- 12 meses desde la fecha de la factura;
- 6 meses para cuadros, reparaciones y piezas de repuesto.

La compañía JMS Elettropompe srl presta garantías legales que cubren los defectos estructurales del material producido por JMS Elettropompe srl; También se limita a la reparación o sustitución de máquinas o reconocido como pieza defectuosa en nuestra fábrica después de una revisión cuidadosa por parte de nuestros técnicos, nos reservamos el juicio final sobre la causa del defecto.

La garantía JMS Elettropompe srl sólo es válido:

- Si el fallo se debe a defectos de fabricación, materiales o de producción;
- Si el fallo se informó a JMS, o su representante, dentro del período de vencimiento de la garantía de la misma;
- Si el producto se utiliza sólo en las condiciones descritas en las instrucciones para la "instalación y mantenimiento, de acuerdo con los usos previstos;
- Si los sistemas de control utilizados en los productos estén bien conectados;
- Si todos los trabajos de reparación y mantenimiento se llevan a cabo en los talleres o centros de servicio autorizados JMS Elettropompe srl;
- Si está piezas de recambio originales JMS acostumbrado.

Condiciones adicionales:

- Informes de defectos evidentes de construcción y / o material debe tener lugar dentro de los 8 días siguientes a la recepción de los bienes, mediante notificación por escrito. La máquina defectuosa se debe recibir en nuestras instalaciones o los centros de servicio autorizados, los gastos a cargo del cliente;
 - El reconocimiento de la garantía está obligado a colocar cumplimiento de las obligaciones contractuales por parte del cliente;
 - En ningún caso la garantía implica la responsabilidad por los daños causados a las personas y cosas (incluida la suspensión repentina de los procesos de producción);
 - La presunción o la notificación de defectos cargadas del producto no justifican el incumplimiento de las obligaciones contractuales;
 - Para aprovechar las ventajas de la garantía es necesaria producir documento de venta fecha, nombre del modelo y número de serie que muestra para JMS Elettropompe srl;
 - El suministro de accesorios y componentes tienen la marca de JMS Elettropompe srl, como adquiridos a terceros, excluye cualquier tipo de responsabilidad por parte de la misma;
 - La garantía es ex-acción de la que se está realizando, incluida la devolución de las piezas defectuosas, y se limita a la reparación y / o sustitución de piezas de las cuales el JMS Elettropompe srl está satisfecho en cuanto al defecto;
 - Tenemos la intención excluidos de la garantía los daños causados durante el transporte y / o a las exigencias de errores de instalación, la incompetencia, la utilización de los requisitos técnicos, que operan bajo inversor a un menor que rpm prescrito, manipulación y / o reparaciones hechas fuera de los centros de atención autorizados por JMS Elettropompe srl. En ningún caso, sin embargo, la garantía implica la posibilidad de reclamar por beneficios y asumir ninguna responsabilidad por los daños materiales y corporales que son causadas por las máquinas JMS, ya sean directos o indirectos causados por el mal uso.
- Valoramos además de especificar que expire la garantía:
- Si la máquina ha sido reparada, desmontada o manipulada por personas no autorizadas;
 - Si el fallo fue causado por un error de conexión eléctrica o hidráulica, el fracaso o la protección inadecuada;
 - Si la aplicación de las máquinas no se ha realizado correctamente;
 - Si la máquina ha trabajado en la ausencia de agua;
 - Si la máquina se ha sometido a una sobrecarga superior a los límites de clasificación;
 - Si los materiales se han fallado como consecuencia del contacto con líquidos abrasivos o corrosivos sin embargo no son compatibles con los materiales utilizados en la construcción de las bombas;
 - Si los materiales son dañados como resultado de la reducción natural.



GOL Pump Technology INC

Supply , Import , Export Water Pumps



6520 NW 77th Ct, MIAMI, FL 33166 USA



(786)-615-8984 & (786)-452-9775



(786)-615-7043



info@golpumps.com



www.golpumps.com

 **MADE IN ITALY**

