



**GOL PUMPS
TECHNOLOGY INC**

SBK 1,3,5,10,15,20,32,45,64 series

CBK 2,4,8,12 series

SPC 2,4,8 series Coolant Pump

Immersible pump

50 / 60Hz





page	SBK series
1	General data
3	Installation
4	Material
	50Hz Technical data
7	Performance Range
8	SBK 1
10	SBK 3
12	SBK 5
14	SBK 10
16	SBK 15
18	SBK 20
20	SBK 32
22	SBK 45
24	SBK 64
	60Hz Technical data
27	Performance Range
28	SBK 1
30	SBK 3
32	SBK 5
34	SBK 10
36	SBK 15
38	SBK 20
40	SBK 32
42	SBK 45
44	SBK 64



page	CBK series
46	General data
48	Material
	50Hz Technical data
50	Performance Range
51	CBK 2
54	CBK 4
56	CBK 8
58	CBK 12
	60Hz Technical data
60	Performance Range
61	CBK 2
64	CBK 4
66	CBK 8
68	CBK 12



page	SPC series
70	General data
71	Material
	Dimensions and weights
72	Performance curves

Application

- Cooling units
- Grinding machines
- Machine centers
- Spark machine tools
- Filtering systems
- Milling machines
- Boring machines
- Drilling machines
- Filtering systems
- Swarf conveyors
- Industrial washing machines

Feature

- Compact design
- High Efficiency Reliability
- Easy installation
- Flexible installation length
- Wide performance range
- Reliability
- Service-friendly



SBK pumps are vertical multistage centrifugal pumps especially designed for pumping of cooling lubricants for machine tools , and to be mounted on top of tanks with the pump stack immersed in the pumped liquid.

SBK pumps are available with various pump sizes and various numbers of stages to provide the flow, the pressure and the length required.

SBK 50Hz Product Data

Range	1	3	5	10	15	20	32	45	64
Frequency	50Hz	50Hz	50Hz	50Hz	50Hz	50Hz	50Hz	50Hz	50Hz
Rated flow rate(m³/h)	1	3	5	10	17	21	32	45	64
Flow range (m³/h)	0.7~2.4	1.2~4.5	2.5~8.5	5~13	8.5~23.5	10.5~29	15~40	22-58	30-85
Maximum head (bar)	22	23	24	23	23	24	27	32	22
Motor power (kW)	0.37~2.2	0.37~3.0	0.37~5.5	0.75~7.5	1.1~15	1.1~18.5	1.5~30	3.0~45	4.0~45
Temperature range (°C)	-10 to +90								

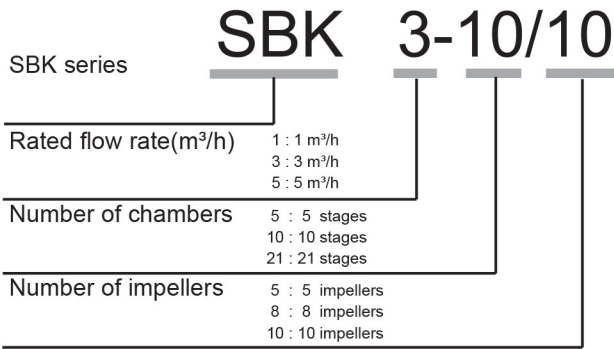
Pipe connection										
Union	RP 1 1/4			RP2"						
flange							DN65	DN80		

SBK 60Hz Product Data

Range	1	3	5	10	15	20	32	45	64
Frequency	60Hz	60Hz	60Hz	60Hz	60Hz	60Hz	60Hz	60Hz	60Hz
Rated flow rate(m³/h)	1.2	3.6	6	12.1	20.5	25.3	38	54	77
Flow range (m³/h)	0.8~2.9	1.4~5.4	3~10	6~15.7	10.2~28.4	12.6~35	18~48	26~70	36~102
Maximum head (bar)	24	23	23	26	23	21	27	26	18
Motor power (kW)	0.37~2.2	0.37~4.0	0.55~7.5	0.75~11	1.5~18.5	2.2~18.5	2.2~30	5.5~45	7.5~45
Temperature range (°C)	-10 to +90								

Pipe connection										
Union	RP 1 1/4			RP2"						
flange							DN65	DN80		

Model code



Pump Type	Particles handling of filter [mm]	Particles handling of impeller [max. mm]
SBK 1	2	2.5
SBK 3	2	3.1
SBK 5	4	5.5
SBK 10	4	5.5
SBK 15	4	6
SBK 20	4	7.9
SBK 32	4	8
SBK 45	4	9.5
SBK 64	4	13

NOTE: Do not remove the filters.

Mechanical Seals

Standard Cartridge type mechanical seal made of Tungsten carbide / Tungsten carbide Viton.

The cartridge type mechanical seal can be replaced in minutes without special tools and without dismantling the pump.

Type of Seal

Seal Type	SBK
Mechanical Seals	1/3/5/10/15/20/32/45/64
S: O-ring seal Cartridge type	●
QQ	Optional
UU	●
Seals	
E	Optional
V	●

Pumped Liquids

Do not pump the explosive or aggressive liquids and the liquids should be free of fibers. The SBK pumps have the strainer in the suction chamber with inlet to prevent large particles from entering and damaging the pump.

In order to avoid the larger particles block the filters, we suggest to filtrate elementarily before pumping the liquids with particles.

Motor Data

SBK is fitted with totally enclosed fan-cooled, 2-pole standard motor.

Enclosure class : IP 55

Insulation class : F

Ambient temperature : Max. + 50°C

Supply voltage :

50Hz

- 0.37- 2.2 kW 3ø 220-240V / 380-415V
- 3 - 22 kW 3ø 220-240V / 380-415V
- 3 - 22 kW 3ø 380-415V / 660-720V
- * 30 - 45 kW 3ø 400V / 690V

60Hz

- 0.37~1.1 kW 3ø 220-255V / 380-440V
- 1.5~2.2 kW 3ø 220-277V / 380-480V
- 3.0~22 kW 3ø 380-480V / 660-830V
- * 30~45 kW 3ø 220V / 380V
- * 30~45 kW 3ø 380V / 660V
- * Voltage allowable range ±10%

Type of Seal

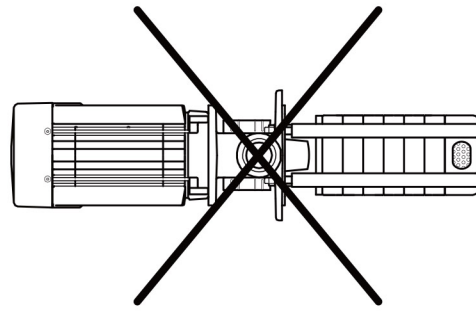
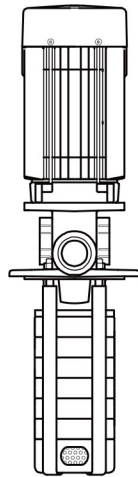
SUUV Standard

Mechanical seal is available in different material per customer's demand.

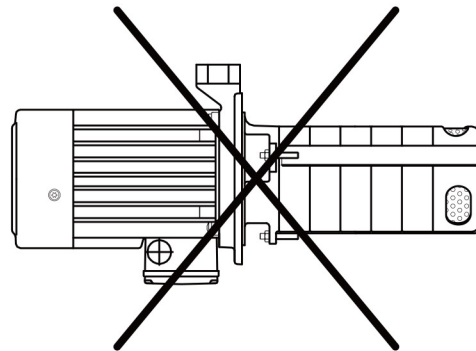
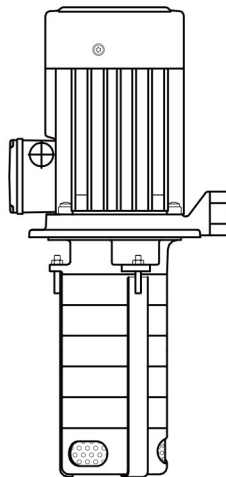
List of Materials

Q : Silicon carbide
U : Tungsten carbide
E : EPDM
V : Viton





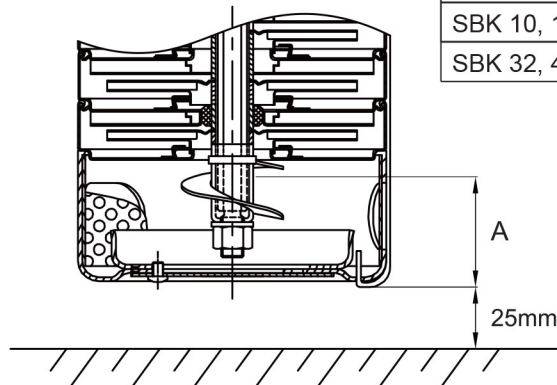
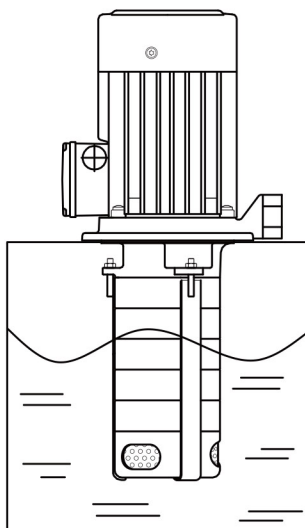
SBK series



CBK series

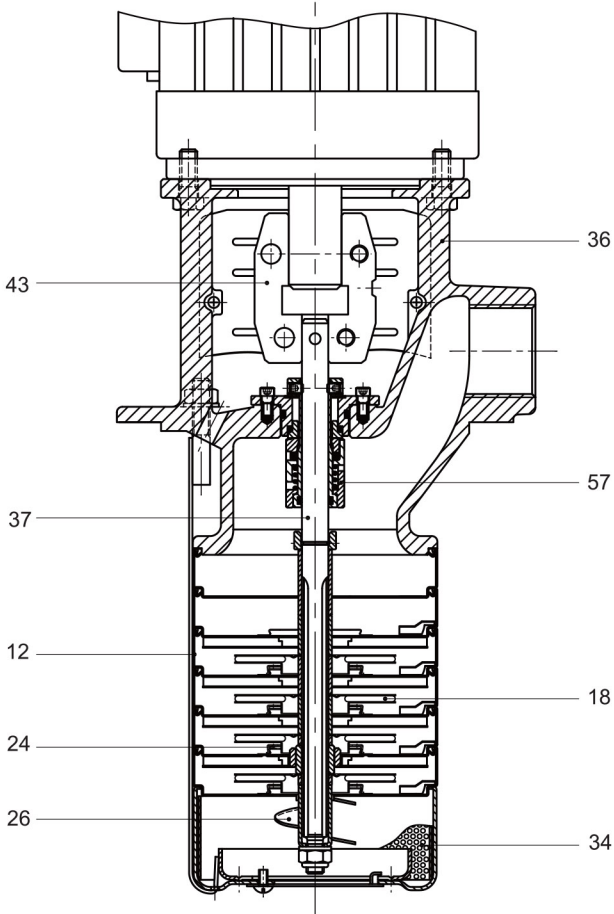
Note

- > When you install the SBK 1,3,5,10,15,20,32,45,64 or CBK 2,4,8,12 series pumps, you must follow the instruction as below.
- > The distance between the liquid level and the pump bottom (Minimum) : A (mm)
- > The distance between the pump and the tank bottom (Minimum) : 25mm

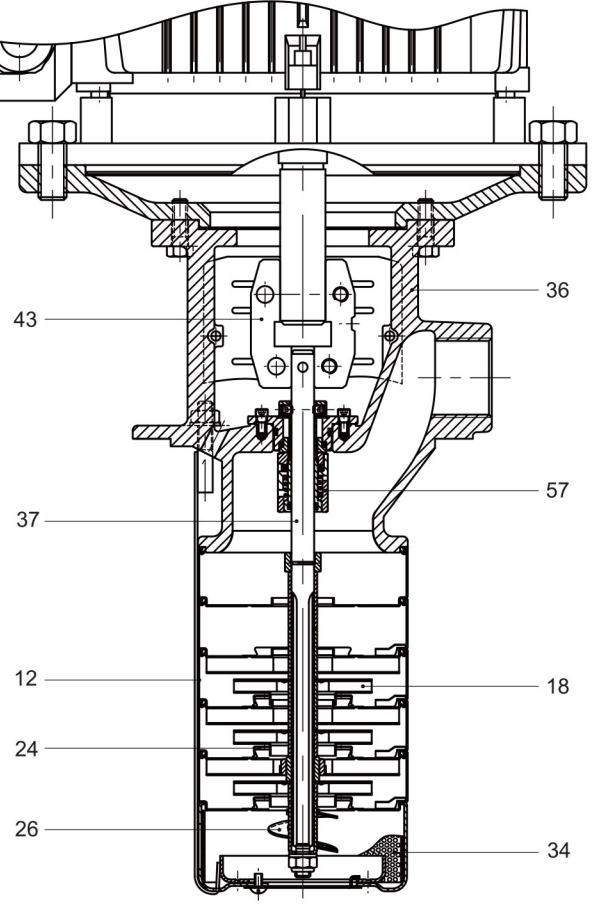


Model	A(mm)
CBK 2, 4, 8, 12	40
SBK 1, 3, 5	40
SBK 10, 15, 20	50
SBK 32, 45, 64	70

SBK 1,3

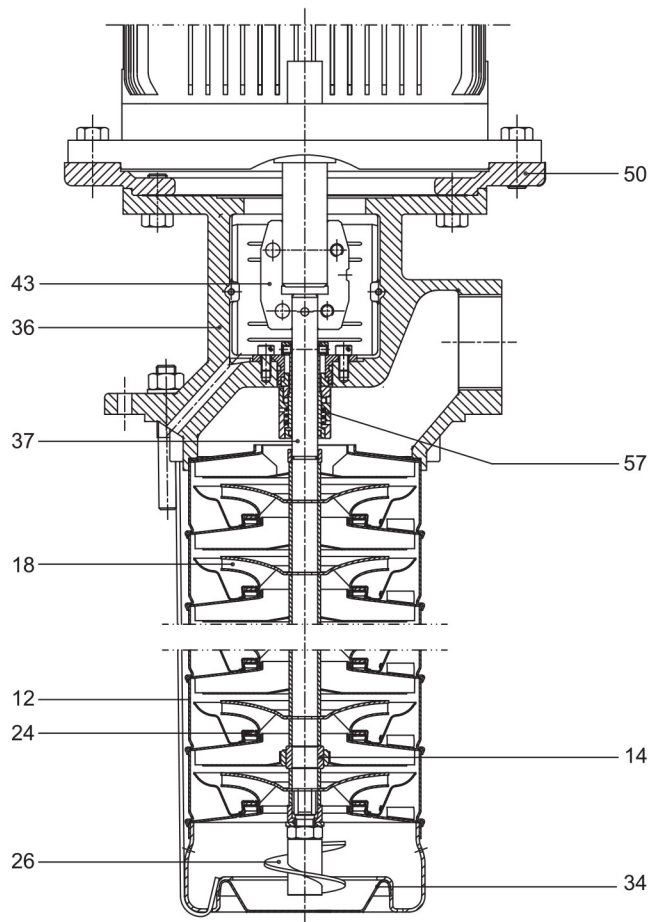


SBK 5



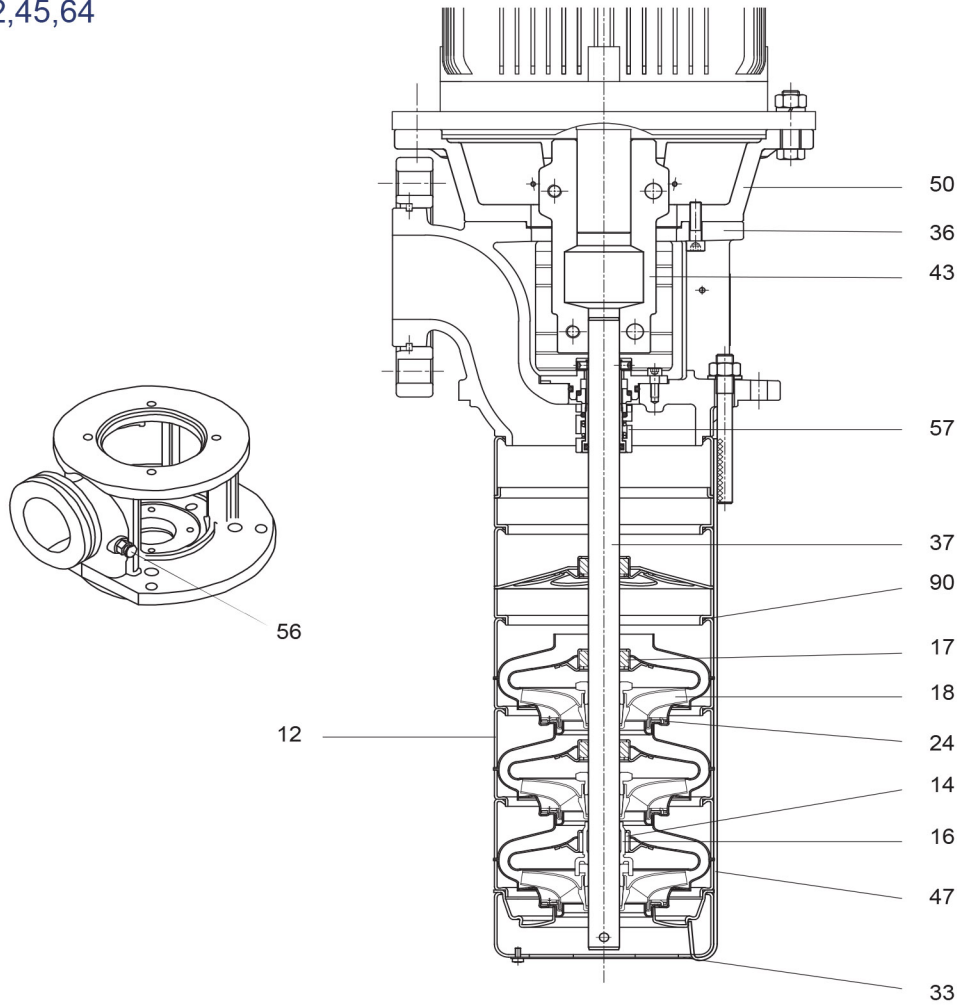
Pos.	Name	Material	Europe	AISI/ASTM
12	Chamber complete	Stainless steel	1.4301	AISI 304
18	Impeller	Stainless steel	1.4301	AISI 304
24	Neck ring	PTFE		
26	Priming screw	Stainless steel	1.4301	AISI 304
34	Strainer	Stainless steel	1.4301	AISI 304
36	Pump head	Cast Iron EN-GJL-220	0.6020	ASTM 25B
37	Pump shaft	Stainless steel	1.4057	AISI 431
43	Coupling			
57	Shaft seal	SUUV		

SBK 10,15,20



Pos.	Name	Material	Europe	AISI/ASTM
12	Chamber complete	Stainless steel	1.4301	AISI 304
14	Bearing ring	Sic		
18	Impeller	Stainless steel	1.4301	AISI 304
24	Neck ring	PTFE		
26	Priming screw	Stainless steel	1.4301	AISI 304
34	Strainer	Stainless steel	1.4301	AISI 304
36	Pump head	EN-GJL-200	0.6020	ASTM 25B
37	Pump shaft	Stainless steel	1.4057	AISI 431
43	Coupling			
50	Motor stool	EN-GJL-200	0.6020	ASTM 25B
57	Shaft seal	SUUV		

SBK 32,45,64

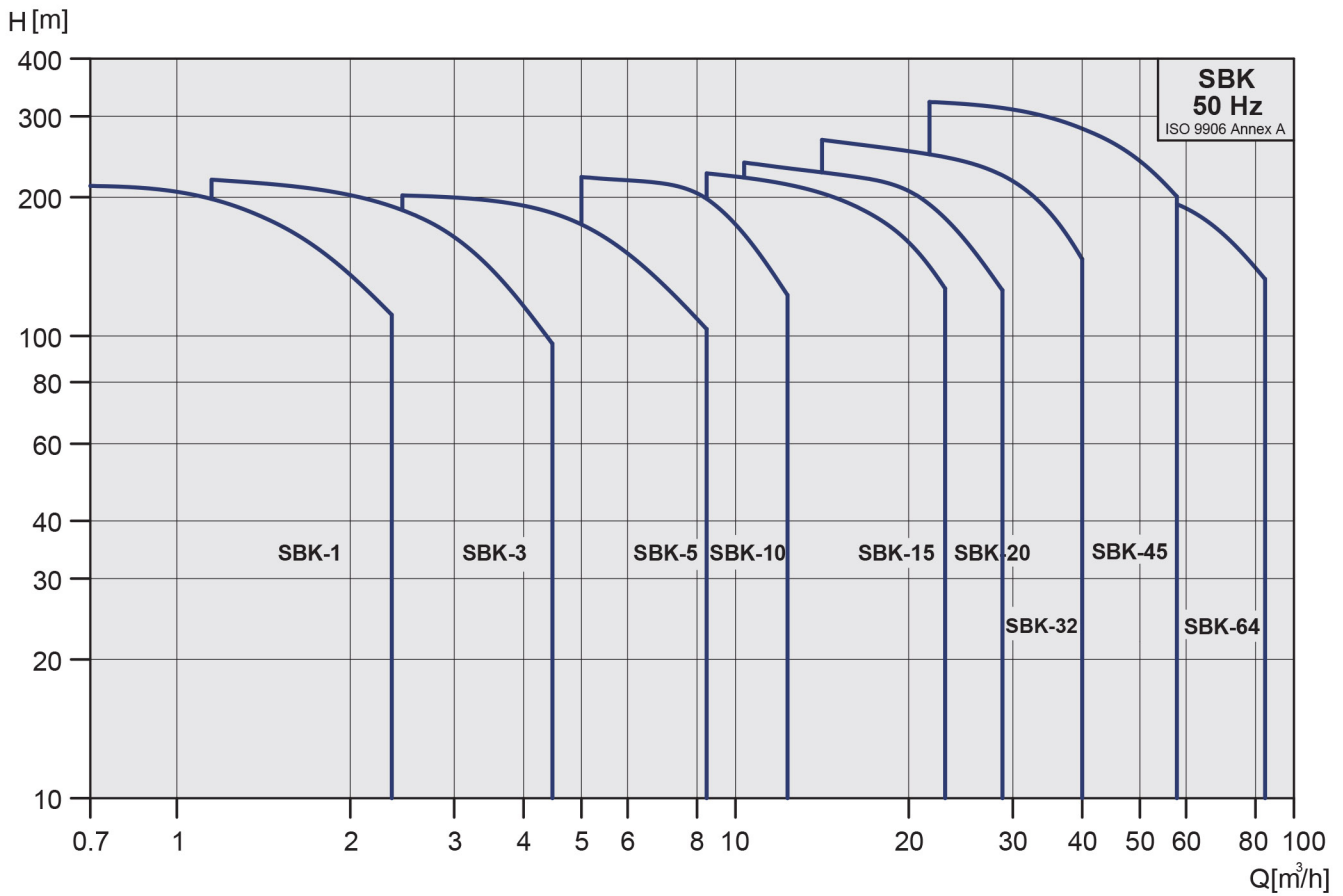


Pos.	Name	Material	Europe	AISI/ASTM
12	Chamber complete	Stainless steel	1.4301	AISI 304
14	Bearing ring ,sta.	Tungsten carbide		
16	Bearing ring ,rot.	Tungsten carbide		
17	Bush	POB complete		
18	Impeller	Stainless steel	1.4301	AISI 304
24	Neck ring	PTFE		
33	Suction strainer, Ø4mm holes	Stainless steel	1.4301	AISI 304
36	Pump head	Cast iron	EN-GJL-200	ASTM 25B
37	Pump shaft	Stainless steel	1.4057	AISI 431
43	Coupling	Cast iron	EN-GJS-500-7	ASTM 80-55-06
47	Strap	Stainless steel	1.4301	AISI 304
50	Motor stool	Cast iron	EN-GJL-250	ASTM 35B
56	Air vent screw	Stainless steel	1.4301	AISI 304
57	Shaft seal	SUUUV		
90	O-ring*	NBR		

*only used in pumps with empty chambers

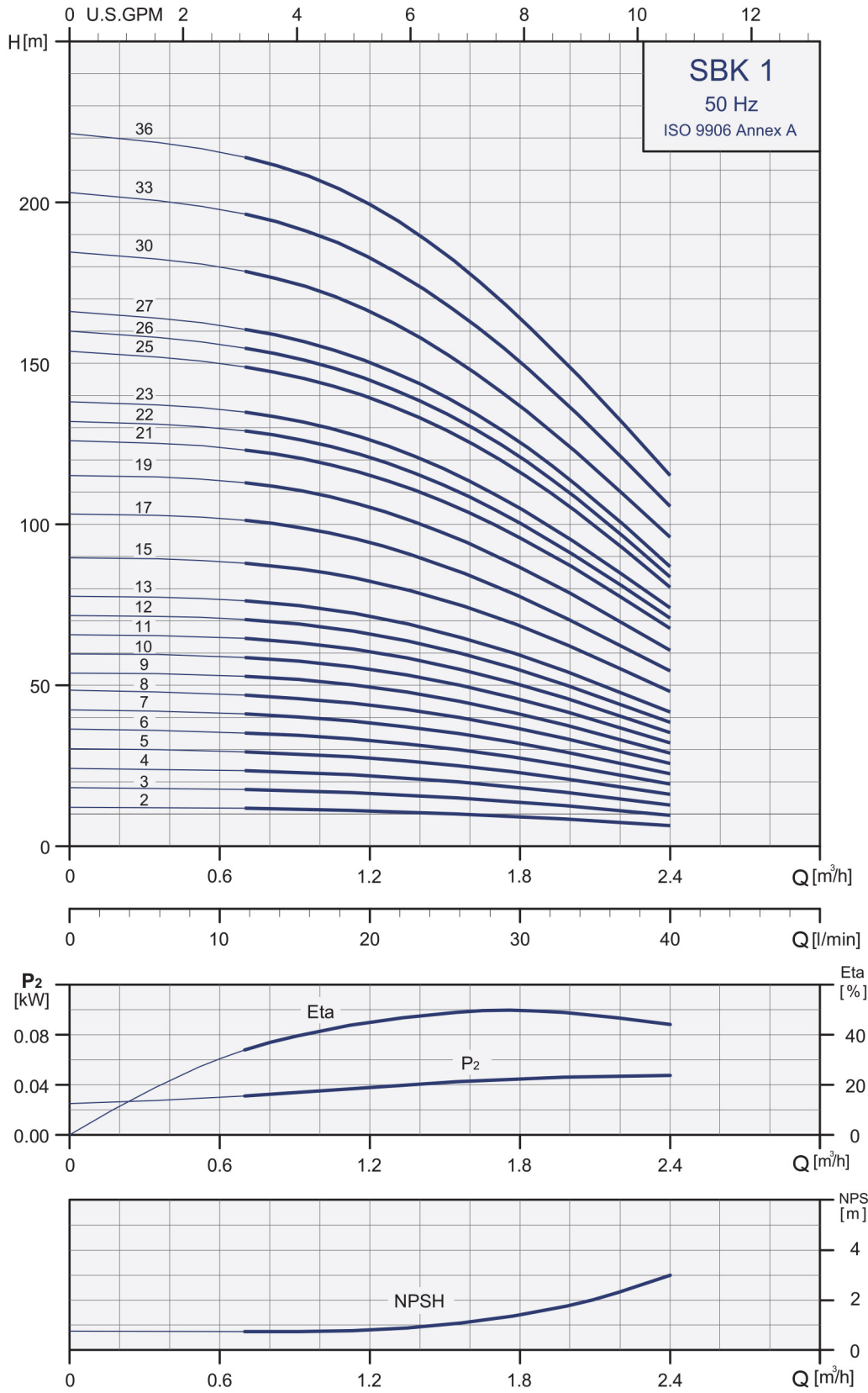
Performance Range

SBK 1 , 3 , 5 , 10 , 15 , 20 , 32 , 45 , 64

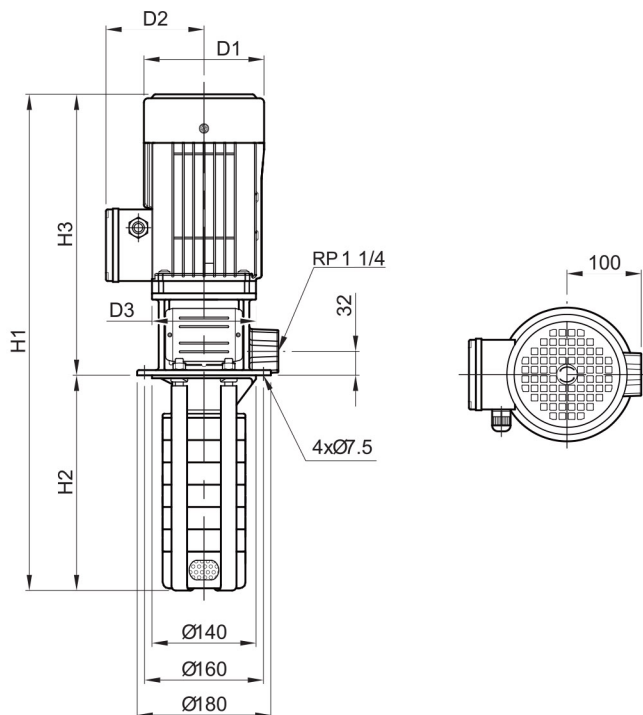


Technical data

Performance curves SBK 1



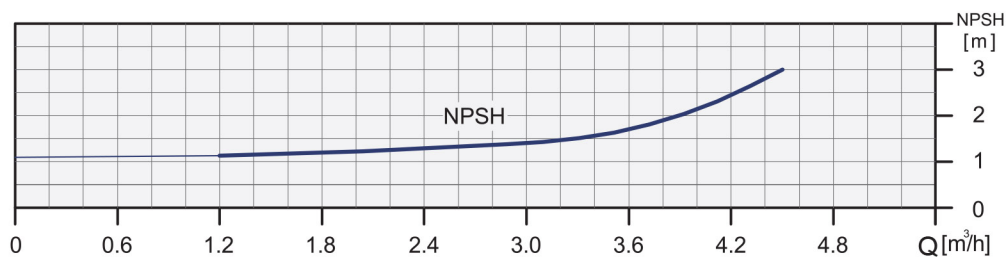
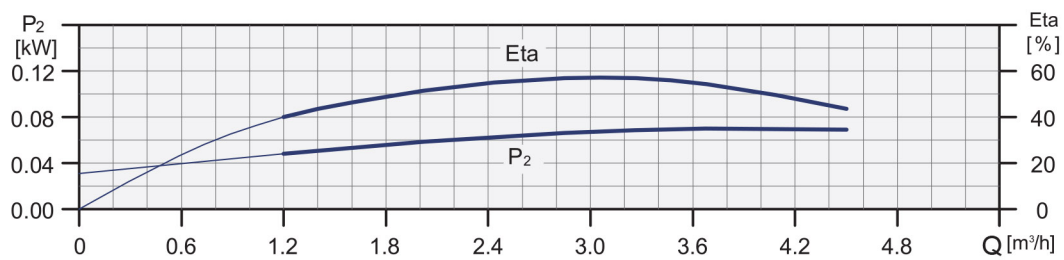
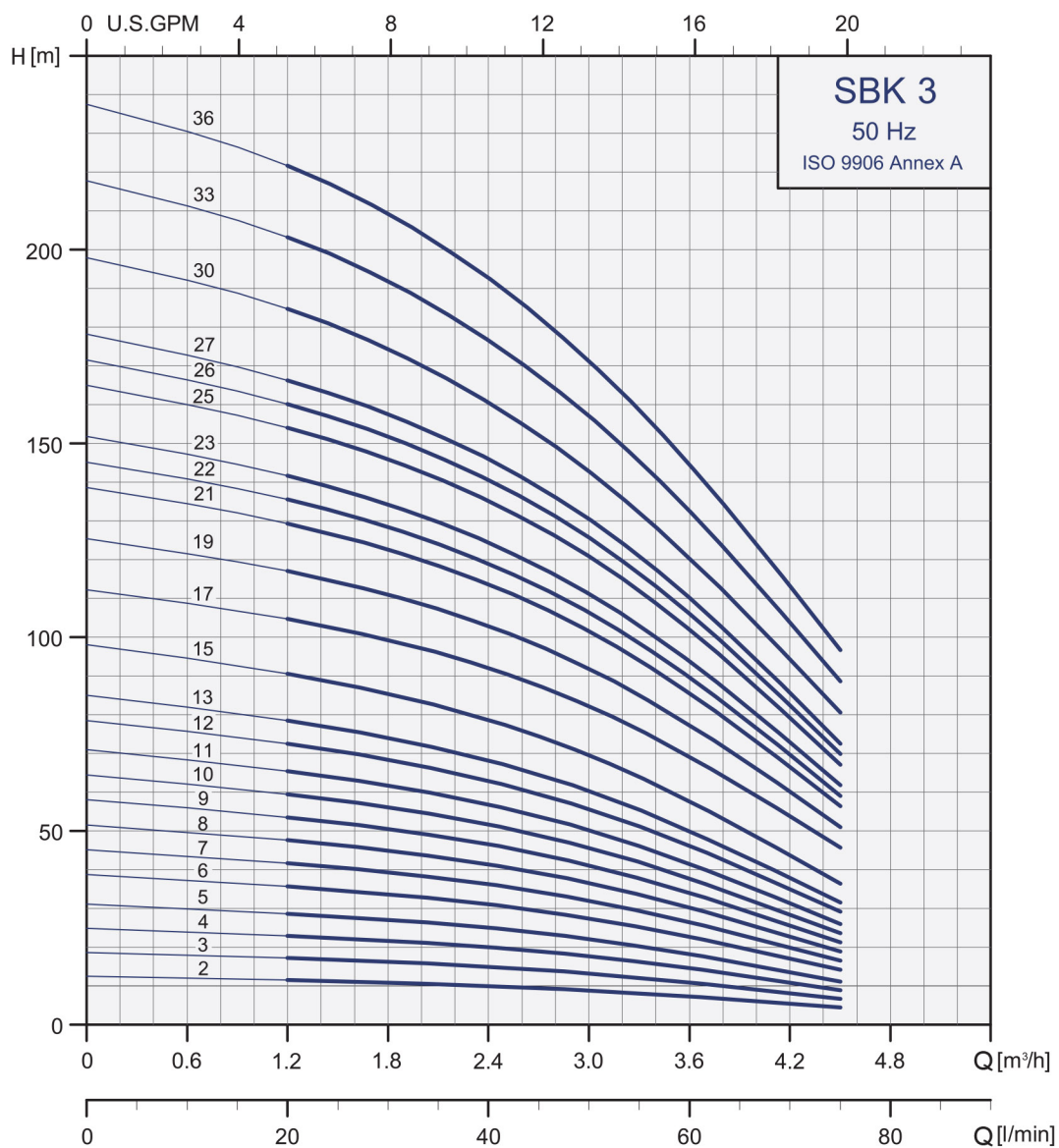
Dimensions and weights SBK 1



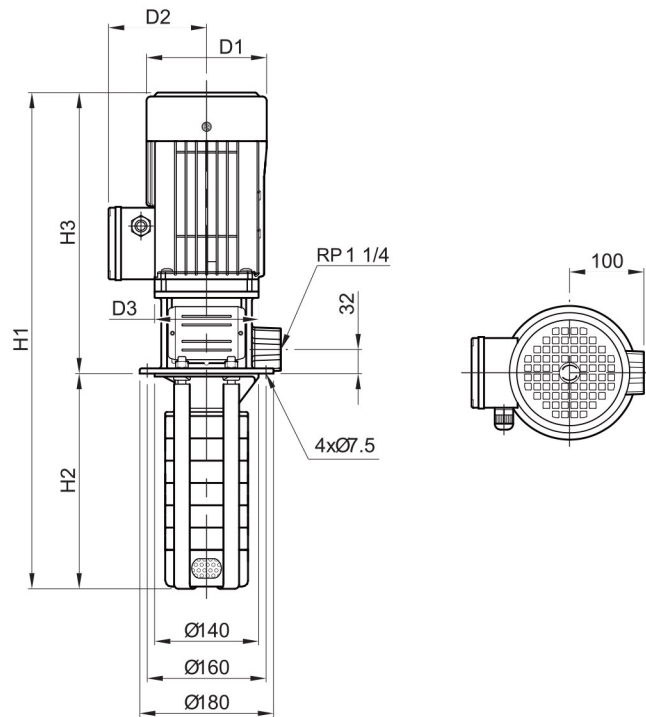
Pump Type	Motor P2		Dimension (mm)						Net Weight (kg)
	kW	HP	H1	H2	H3	D1	D2	D3	
SBK-1-2/2	0.37	0.5	465.4	160	305.4	141	115	140	12.1
SBK-1-3/3	0.37	0.5	483.4	178	305.4	141	115	140	12.3
SBK-1-4/4	0.37	0.5	501.4	196	305.4	141	115	140	12.5
SBK-1-5/5	0.37	0.5	519.4	214	305.4	141	115	140	12.7
SBK-1-6/6	0.37	0.5	537.4	232	305.4	141	115	140	13.0
SBK-1-7/7	0.37	0.5	555.4	250	305.4	141	115	140	13.2
SBK-1-8/8	0.55	0.75	573.4	268	305.4	141	115	140	13.9
SBK-1-9/9	0.55	0.75	591.4	286	305.4	141	115	140	14.2
SBK-1-10/10	0.55	0.75	609.4	304	305.4	141	115	140	14.4
SBK-1-11/11	0.55	0.75	627.4	322	305.4	141	115	140	14.6
SBK-1-12/12	0.75	1	685.4	340	345.4	141	115	140	16.5
SBK-1-13/13	0.75	1	703.4	358	345.4	141	115	140	16.7
SBK-1-15/15	0.75	1	739.4	394	345.4	141	115	140	17.1
SBK-1-17/17	1.1	1.5	829.4	430	399.4	177	141	140	24.3
SBK-1-19/19	1.1	1.5	865.4	466	399.4	177	141	140	24.8
SBK-1-21/21	1.1	1.5	901.4	502	399.4	177	141	140	25.2
SBK-1-22/22	1.1	1.5	919.4	520	399.4	177	141	140	25.5
SBK-1-23/23	1.1	1.5	937.4	538	399.4	177	141	140	25.7
SBK-1-25/25	1.5	2	979.4	574	405.4	177	141	140	29.8
SBK-1-26/26	1.5	2	997.4	592	405.4	177	141	140	30.0
SBK-1-27/27	1.5	2	1015.4	610	405.4	177	141	140	30.2
SBK-1-30/30	1.5	2	1069.4	664	405.4	177	141	140	30.9
SBK-1-33/33	2.2	3	1123.4	718	405.4	177	141	140	33.8
SBK-1-36/36	2.2	3	1177.4	772	405.4	177	141	140	34.5

Technical data

Performance curves SBK 3



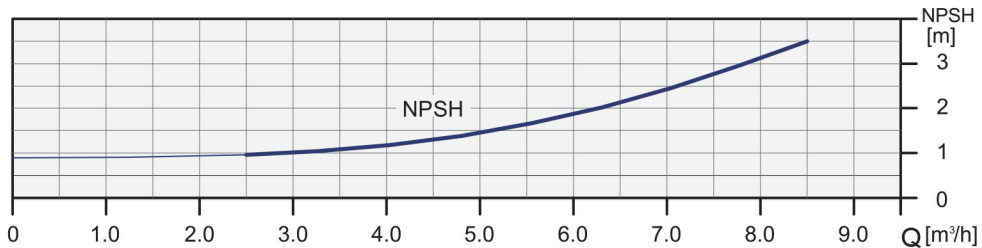
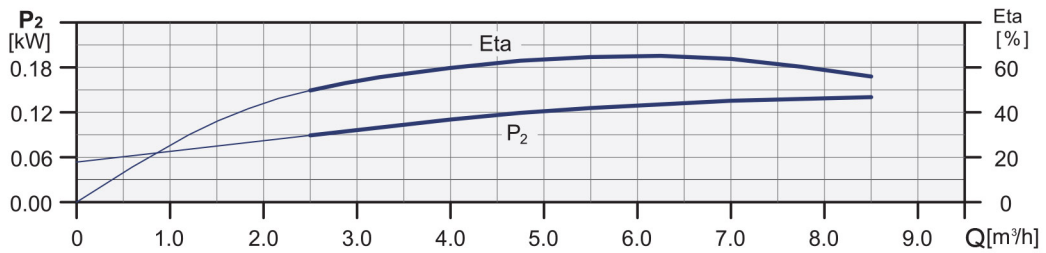
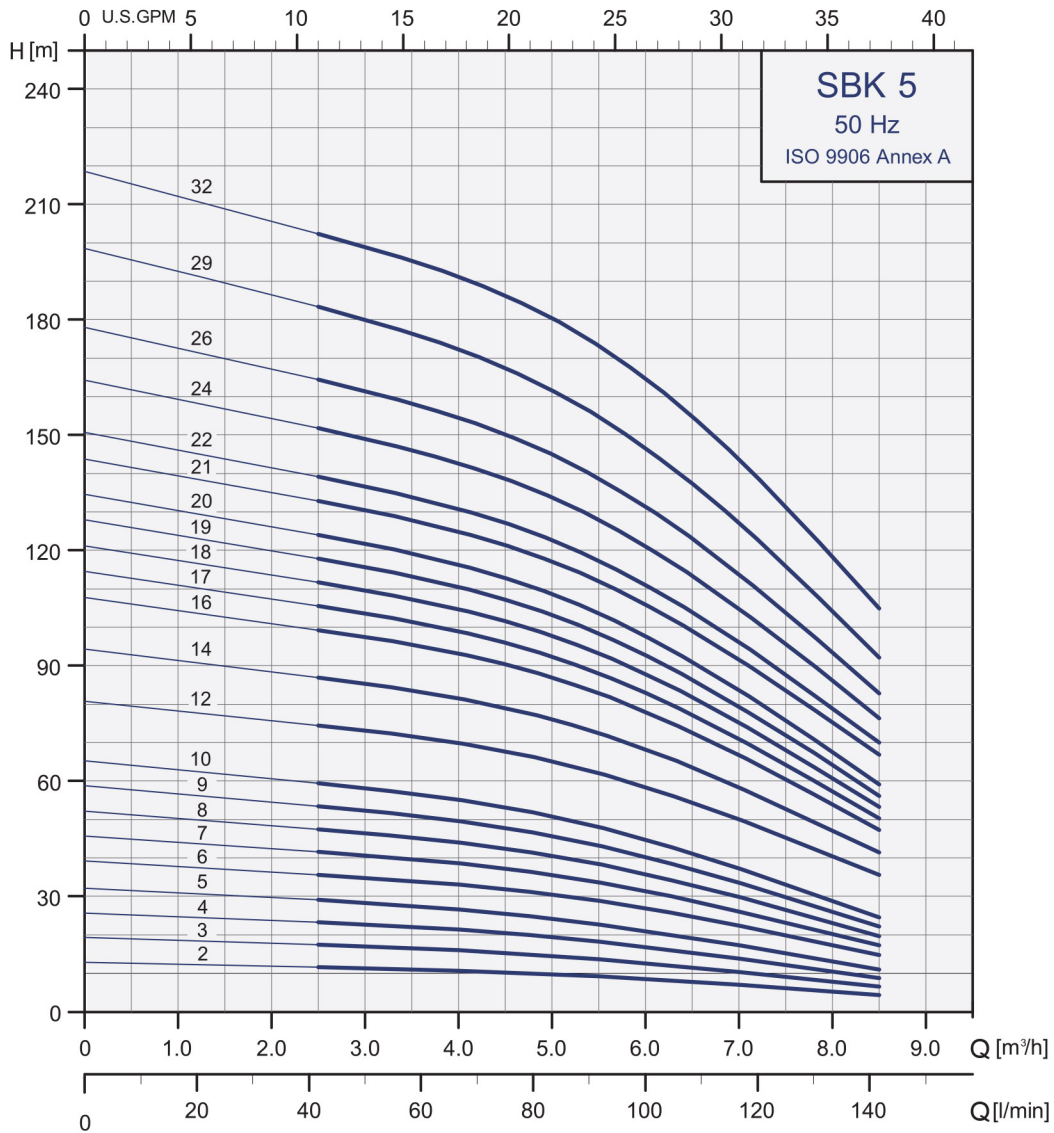
Dimensions and weights SBK 3



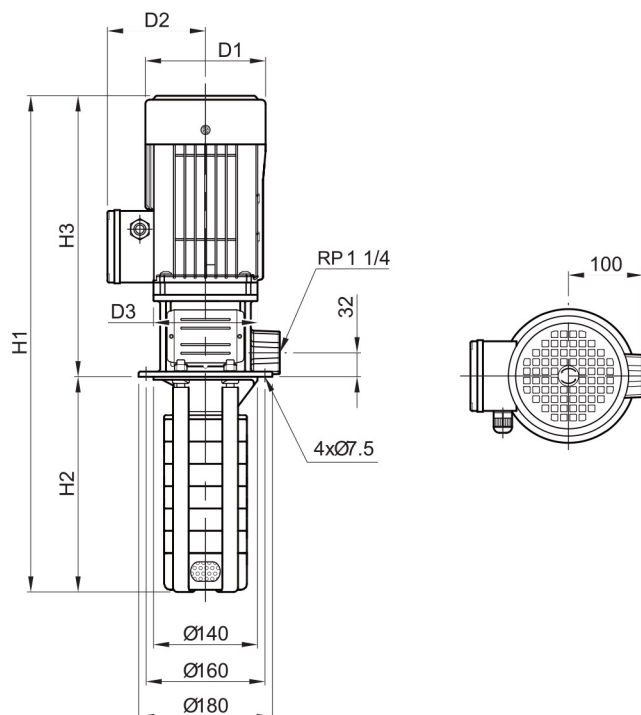
Pump Type	Motor P2		Dimension (mm)						Net Weight (kg)
	kW	HP	H1	H2	H3	D1	D2	D3	
SBK-3-2/2	0.37	0.5	465.4	160	305.4	141	115	140	12.1
SBK-3-3/3	0.37	0.5	483.4	178	305.4	141	115	140	12.3
SBK-3-4/4	0.37	0.5	501.4	196	305.4	141	115	140	12.5
SBK-3-5/5	0.37	0.5	519.4	214	305.4	141	115	140	12.7
SBK-3-6/6	0.55	0.75	537.4	232	305.4	141	115	140	13.5
SBK-3-7/7	0.55	0.75	555.4	250	305.4	141	115	140	13.7
SBK-3-8/8	0.75	1	613.4	268	345.4	141	115	140	15.5
SBK-3-9/9	0.75	1	631.4	286	345.4	141	115	140	15.8
SBK-3-10/10	0.75	1	649.4	304	345.4	141	115	140	16.0
SBK-3-11/11	0.75	1	667.4	322	345.4	141	115	140	16.2
SBK-3-12/12	1.1	1.5	739.4	340	399.4	177	141	140	23.2
SBK-3-13/13	1.1	1.5	757.4	358	399.4	177	141	140	23.4
SBK-3-15/15	1.1	1.5	793.4	394	399.4	177	141	140	23.9
SBK-3-17/17	1.5	2	835.4	430	405.4	177	141	140	27.9
SBK-3-19/19	1.5	2	871.4	466	405.4	177	141	140	28.4
SBK-3-21/21	2.2	3	907.4	502	405.4	177	141	140	31.1
SBK-3-22/22	2.2	3	925.4	520	405.4	177	141	140	31.3
SBK-3-23/23	2.2	3	943.4	538	405.4	177	141	140	31.5
SBK-3-25/25	2.2	3	979.4	574	405.4	177	141	140	32.0
SBK-3-26/26	2.2	3	997.4	592	405.4	177	141	140	32.2
SBK-3-27/27	2.2	3	1015.4	610	405.4	177	141	140	32.4
SBK-3-30/30	3	4	1095.9	664	431.9	197	147	160	35.4
SBK-3-33/33	3	4	1149.9	718	431.9	197	147	160	37.0
SBK-3-36/36	3	4	1203.9	772	431.9	197	147	160	37.7

Technical data

Performance curves SBK 5



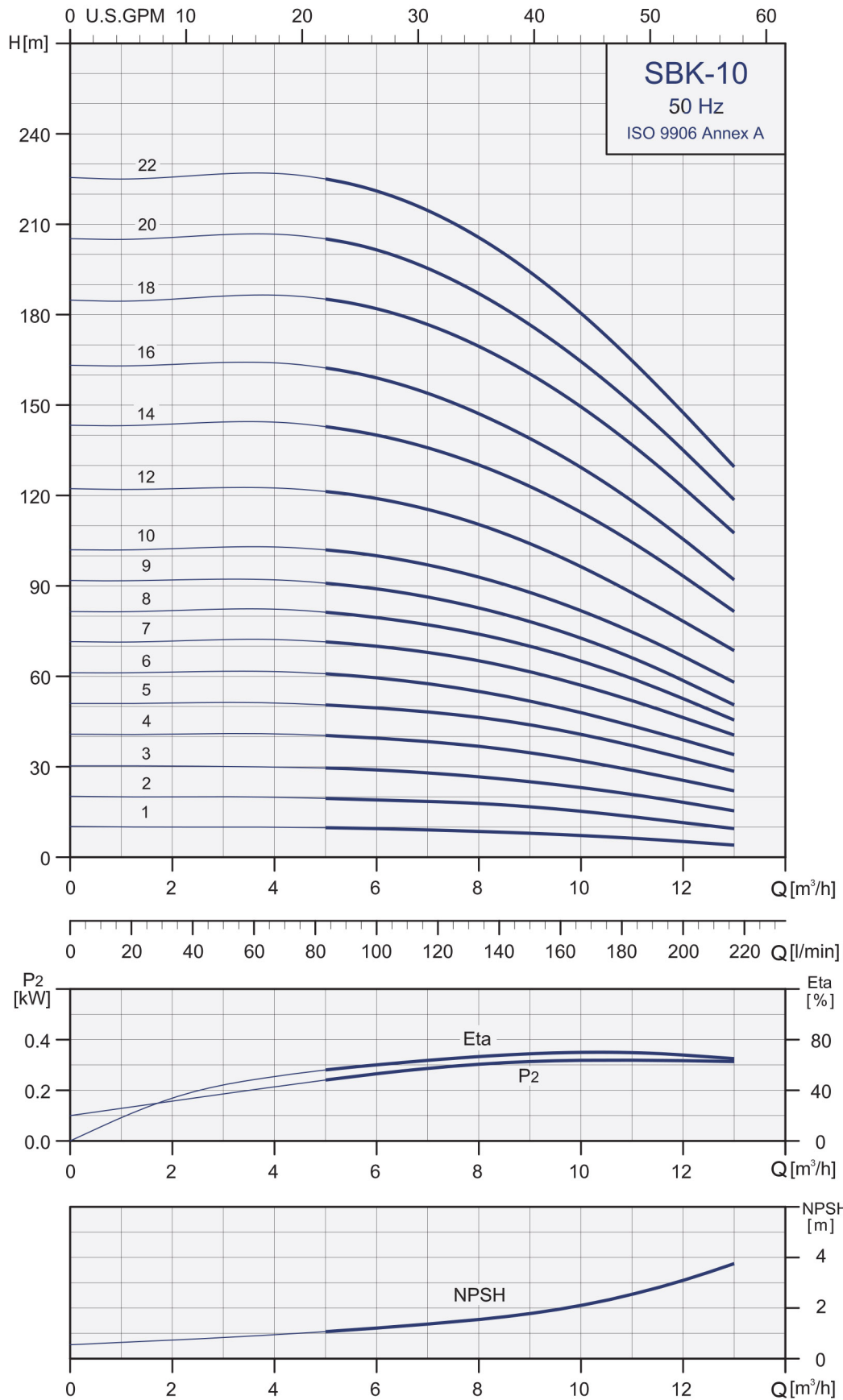
Dimensions and weights SBK 5



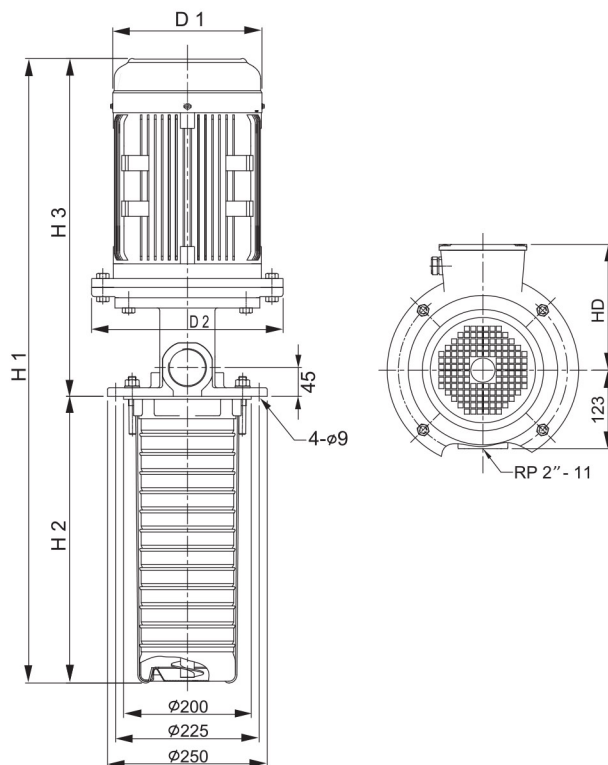
Pump Type	Motor P2		Dimension (mm)						Net Weight (kg)
	kW	HP	H1	H2	H3	D1	D2	D3	
SBK-5-2/2	0.37	0.5	474.4	169	305.4	141	115	140	12.2
SBK-5-3/3	0.55	0.75	501.4	196	305.4	141	115	140	13.1
SBK-5-4/4	0.55	0.75	528.4	223	305.4	141	115	140	13.4
SBK-5-5/5	0.75	1	595.4	250	345.4	141	115	140	15.4
SBK-5-6/6	1.1	1.5	676.4	277	399.4	177	141	140	22.5
SBK-5-7/7	1.1	1.5	703.4	304	399.4	177	141	140	22.9
SBK-5-8/8	1.1	1.5	730.4	331	399.4	177	141	140	23.2
SBK-5-9/9	1.5	2	763.4	358	405.4	177	141	140	27.8
SBK-5-10/10	1.5	2	790.4	385	405.4	177	141	140	28.1
SBK-5-12/12	2.2	3	844.4	439	405.4	177	141	140	30.7
SBK-5-14/14	2.2	3	898.4	493	405.4	177	141	140	31.1
SBK-5-16/16	2.2	3	952.4	547	405.4	177	141	140	31.4
SBK-5-17/17	3	4	1005.9	574	431.9	197	147	160	35.9
SBK-5-18/18	3	4	1032.9	601	431.9	197	147	160	36.3
SBK-5-19/19	3	4	1059.9	628	431.9	197	147	160	36.6
SBK-5-20/20	3	4	1086.9	655	431.9	197	147	160	37.0
SBK-5-21/21	3	4	1113.9	682	431.9	197	147	160	37.4
SBK-5-22/22	4	5.5	1150.9	709	441.9	220	161	160	47.6
SBK-5-24/24	4	5.5	1204.9	763	441.9	220	161	160	48.4
SBK-5-26/26	4	5.5	1258.9	817	441.9	220	161	160	49.1
SBK-5-29/29	4	5.5	1339.9	898	441.9	220	161	160	50.2
SBK-5-32/32	5.5	7.5	1485.9	979	506.9	235	197	300	70.3

Technical data

Performance curves SBK 10



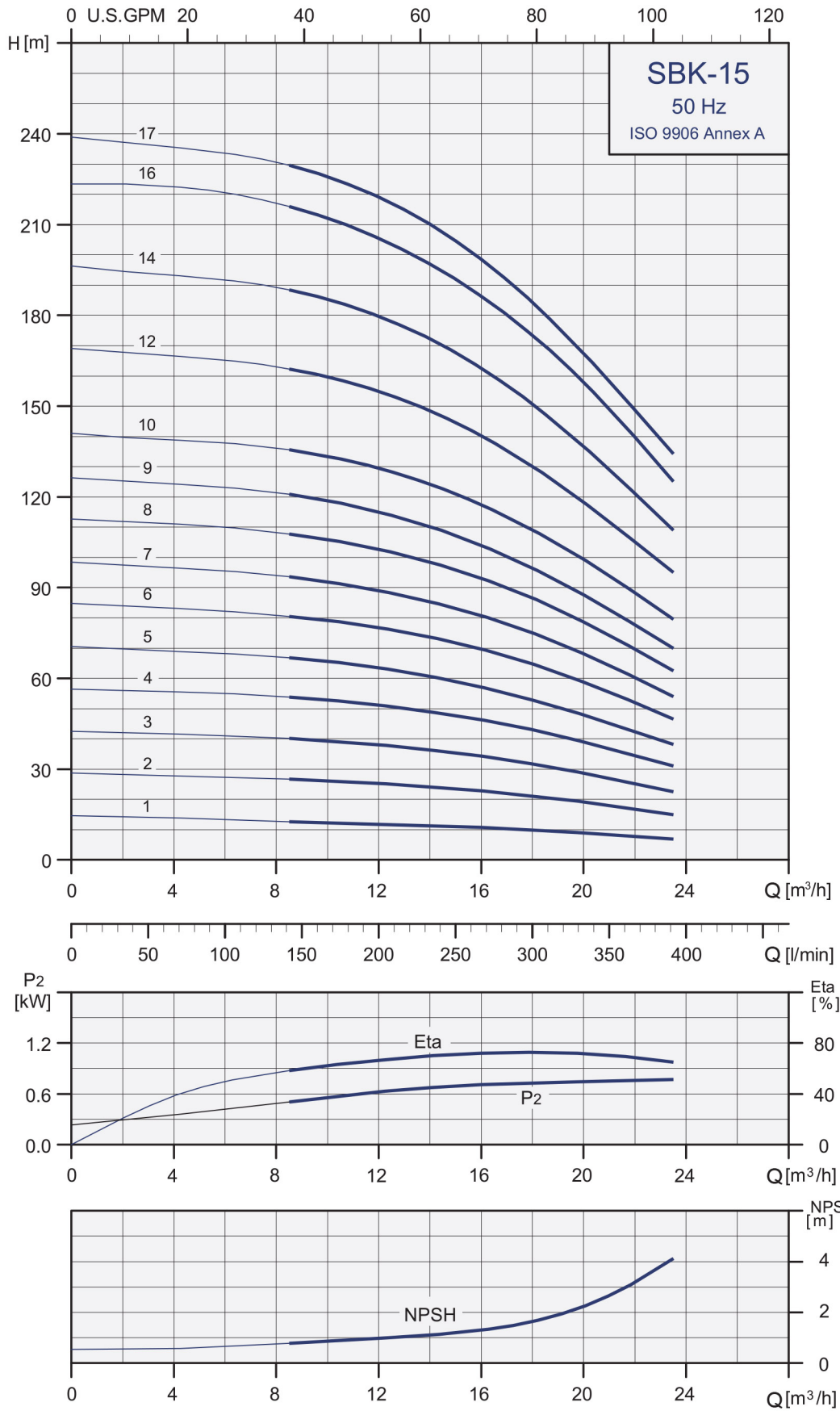
Dimensions and weights SBK 10



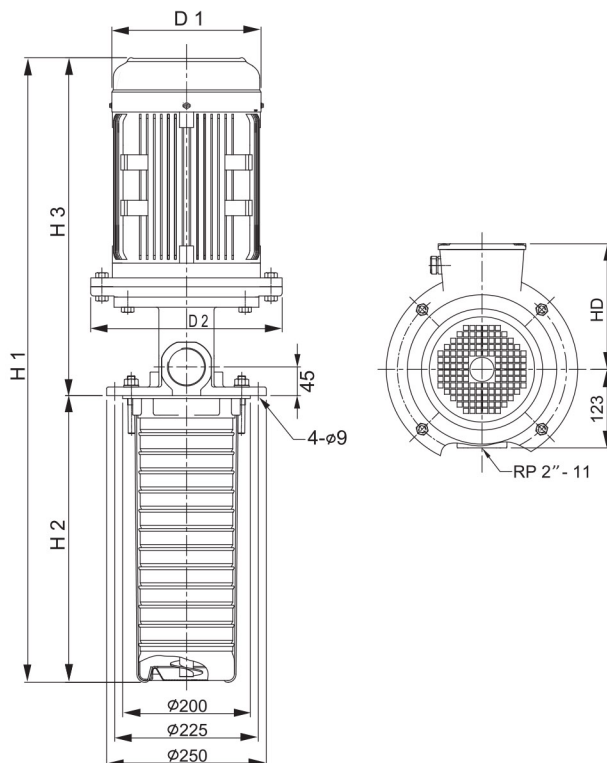
Pump Type	Motor P2		Dimension (mm)						Net Weight (kg)
	kW	HP	H1	H2	H3	D1	D2	HD	
SBK-10-2/1	0.75	1	523	148	375	141	140	115	21.7
SBK-10-2/2	0.75	1	523	148	375	141	140	115	21.8
SBK-10-3/3	1.1	1.5	607	178	429	177	140	141	29.3
SBK-10-4/4	1.5	2	643	208	435	177	140	141	33.8
SBK-10-5/5	2.2	3	673	238	435	177	140	141	36.9
SBK-10-6/6	2.2	3	703	268	435	177	140	141	37.6
SBK-10-7/7	3	4	755	298	457	197	160	147	44.3
SBK-10-8/8	3	4	785	328	457	197	160	147	45.0
SBK-10-9/9	3	4	815	358	457	197	160	147	45.9
SBK-10-10/10	4	5.5	855	388	467	220	160	161	53.4
SBK-10-12/12	4	5.5	915	448	467	220	160	161	54.9
SBK-10-14/14	5.5	7.5	1041	508	533	235	300	197	81.4
SBK-10-16/16	5.5	7.5	1101	568	533	235	300	197	82.9
SBK-10-18/18	7.5	10	1204	628	576	235	300	197	90.4
SBK-10-20/20	7.5	10	1264	688	576	235	300	197	91.9
SBK-10-22/22	7.5	10	1324	748	576	235	300	197	93.4

Technical data

Performance curves SBK 15



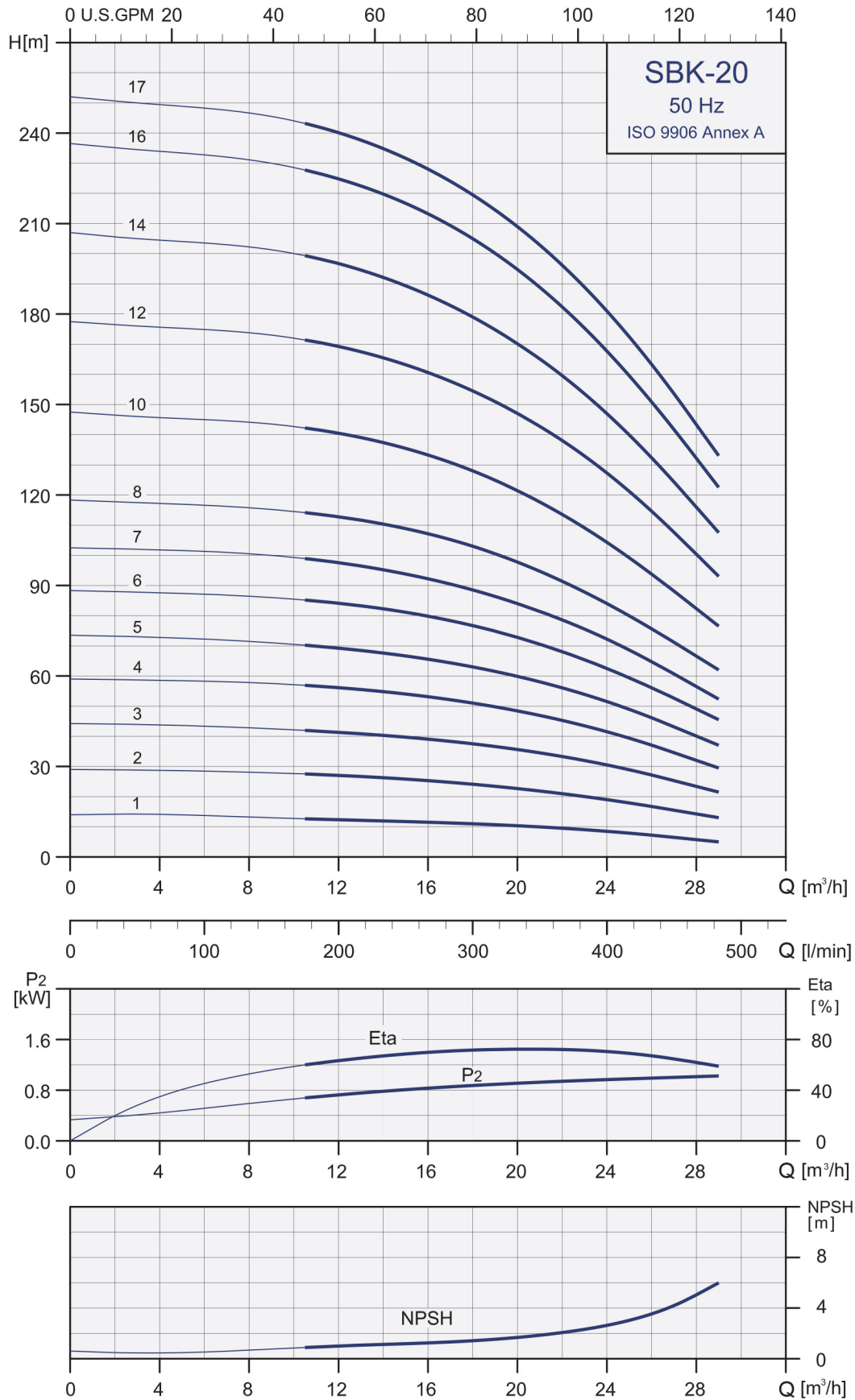
Dimensions and weights SBK 15



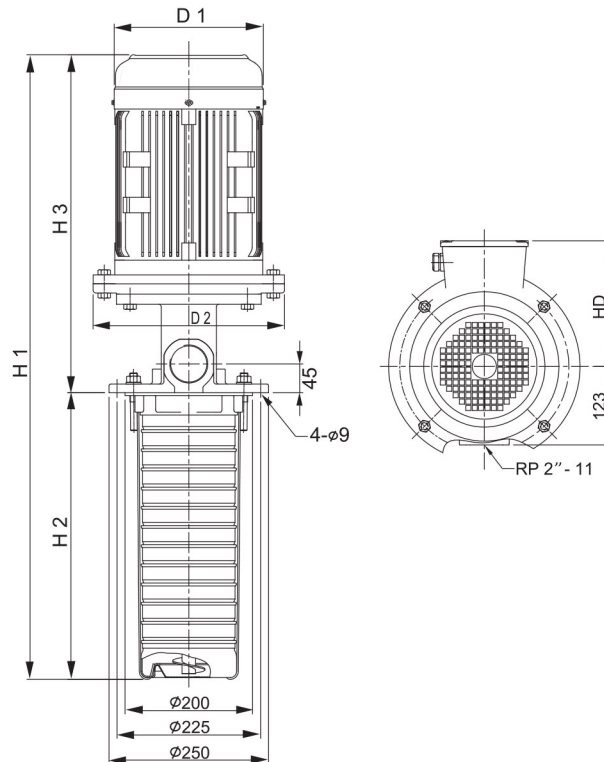
Pump Type	Motor P2		Dimension (mm)						Net Weight (kg)
	kW	HP	H1	H2	H3	D1	D2	HD	
SBK-15-2/1	1.1	1.5	607	178	429	177	140	141	29.2
SBK-15-2/2	2.2	3	613	178	435	177	140	141	35.6
SBK-15-3/3	3	4	680	223	457	197	160	147	38.9
SBK-15-4/4	4	5.5	735	268	467	220	160	161	47.3
SBK-15-5/5	4	5.5	780	313	467	220	160	161	51.2
SBK-15-6/6	5.5	7.5	891	358	533	235	300	197	77.2
SBK-15-7/7	5.5	7.5	936	403	533	235	300	197	78.2
SBK-15-8/8	7.5	10	1024	448	576	235	300	197	85.2
SBK-15-9/9	7.5	10	1069	493	576	235	300	197	86.2
SBK-15-10/10	11	15	1183	538	645	269	352	215	117.2
SBK-15-12/12	11	15	1273	628	645	269	352	215	119.2
SBK-15-14/14	11	15	1363	718	645	269	352	215	121.3
SBK-15-16/16	15	20	1498	808	690	269	352	215	133.8
SBK-15-17/17	15	20	1543	853	690	269	352	215	134.9

Technical data

Performance curves SBK 20



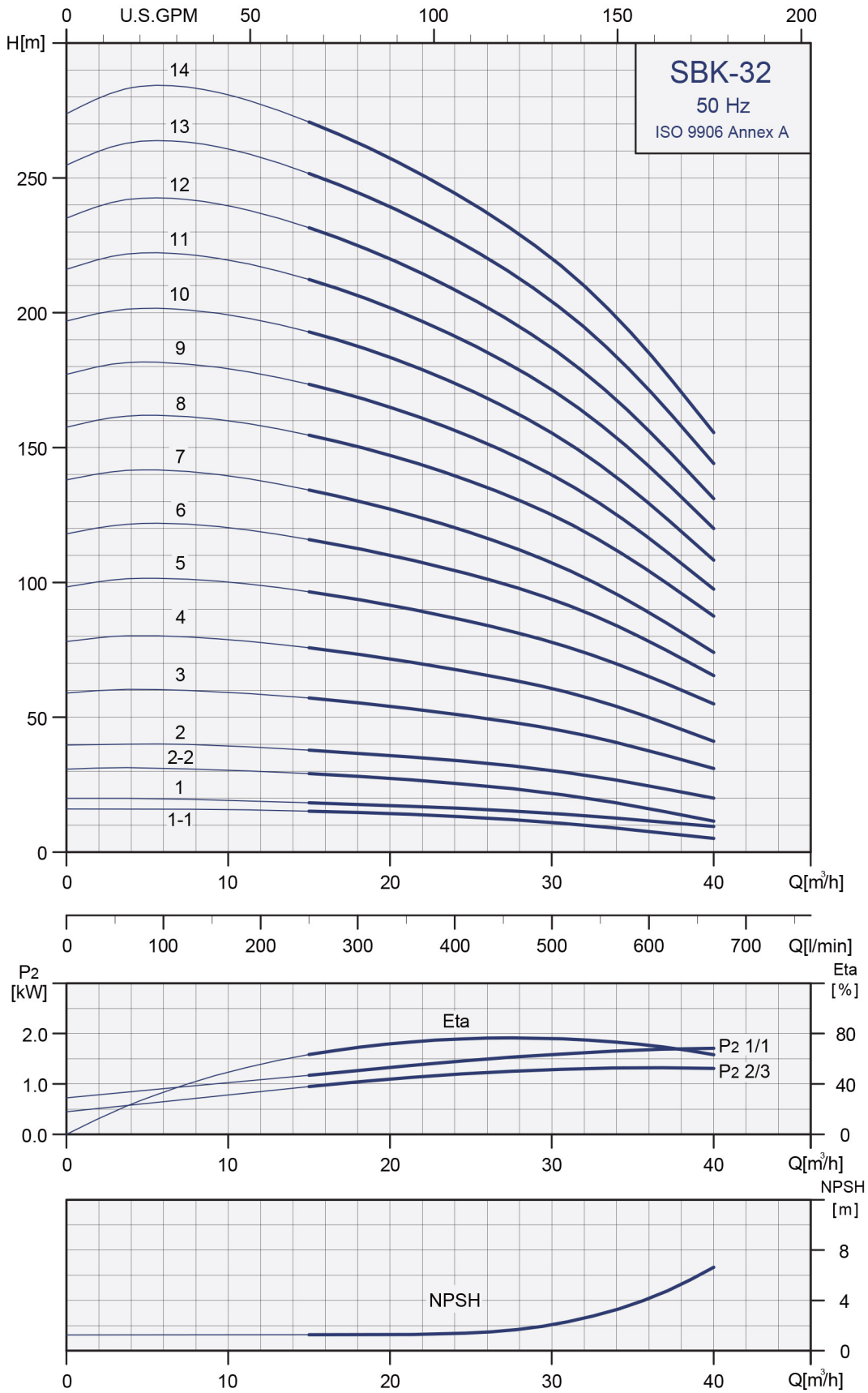
Dimensions and weights SBK 20



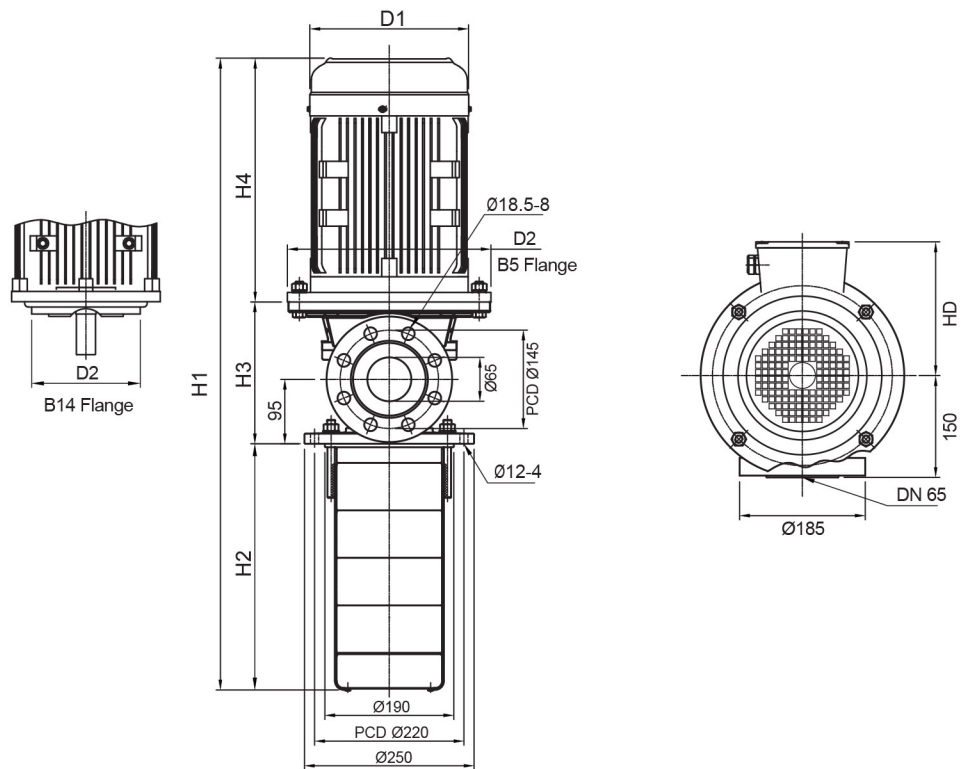
Pump Type	Motor P2		Dimension (mm)						Net Weight (kg)
	kW	HP	H1	H2	H3	D1	D2	HD	
SBK-20-2/1	1.1	1.5	607	178	429	177	140	141	29.2
SBK-20-2/2	2.2	3	613	178	435	177	140	141	35.6
SBK-20-3/3	4	5.5	690	223	467	220	160	161	49.3
SBK-20-4/4	5.5	7.5	801	268	533	235	300	197	75.2
SBK-20-5/5	5.5	7.5	846	313	533	235	300	197	76.2
SBK-20-6/6	7.5	10	934	358	576	235	300	197	83.2
SBK-20-7/7	7.5	10	979	403	576	235	300	197	84.2
SBK-20-8/8	11	15	1093	448	645	269	352	215	115.3
SBK-20-10/10	11	15	1183	538	645	269	352	215	117.2
SBK-20-12/12	15	20	1318	628	690	269	352	215	129.8
SBK-20-14/14	15	20	1408	718	690	269	352	215	131.8
SBK-20-16/16	18.5	25	1548	808	740	318	352	241	166.7
SBK-20-17/17	18.5	25	1593	853	740	318	352	241	167.7

Technical data

Performance curves SBK 32



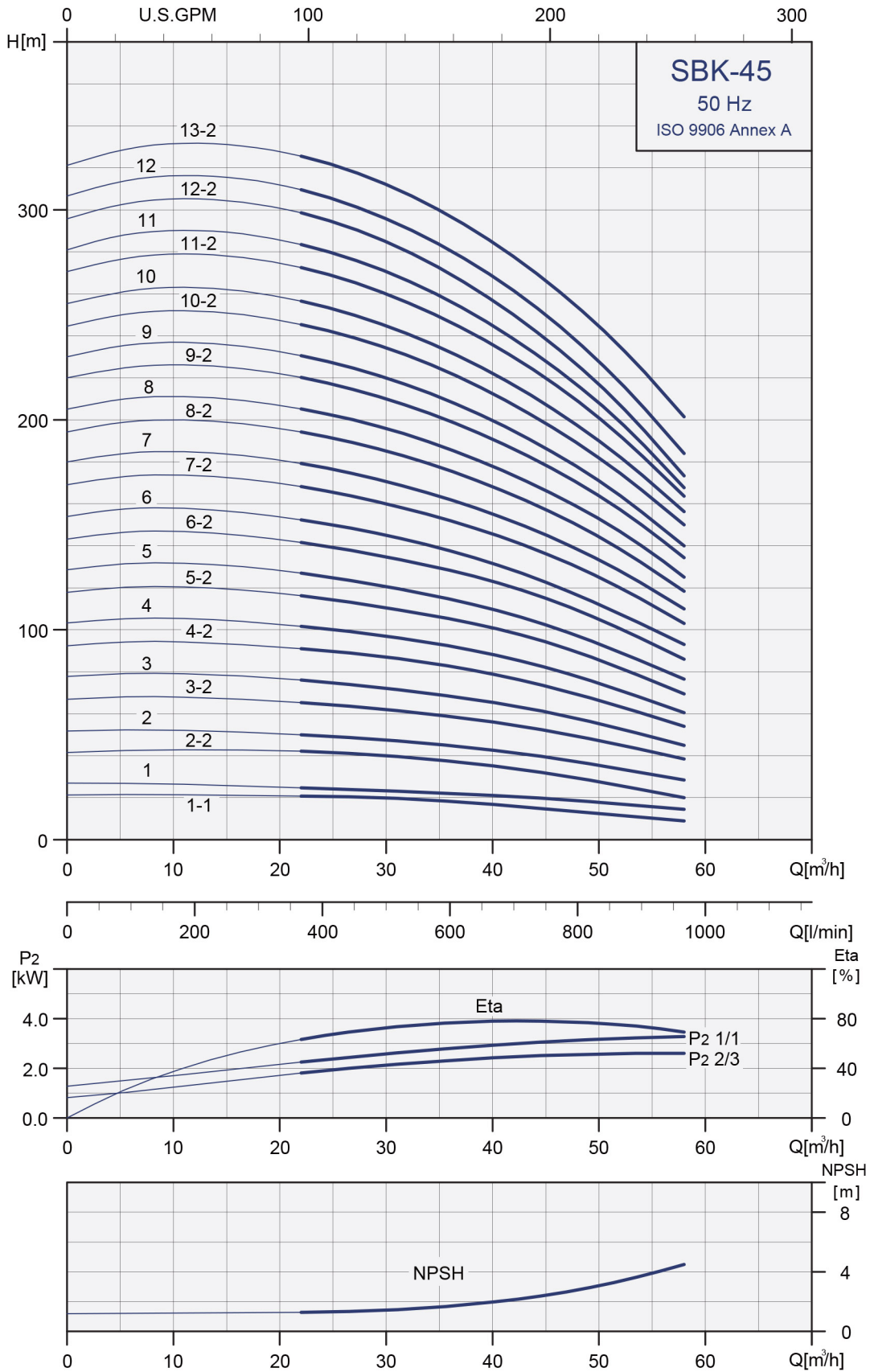
Dimensions and weights SBK 32



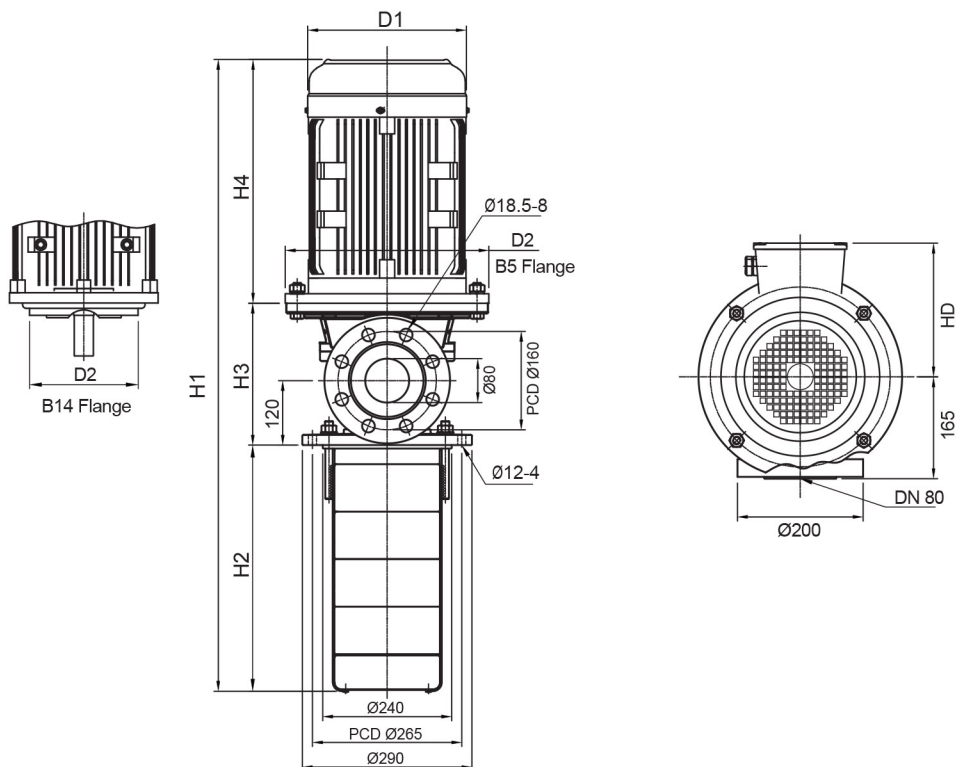
Pump Type	Motor P2		Dimension (mm)							Net Weight (kg)
	kW	HP	H1	H2	H3	H4	D1	D2	HD	
SBK-32-2/1-1	1.5	2	656	223	138	295	177	200 (B5)	141	43.2
SBK-32-2/1	2.2	3	656	223	138	295	177	200 (B5)	141	45.5
SBK-32-2/2-2	3	4	677	223	138	316	197	160 (B14)	147	50.8
SBK-32-2/2	4	5.5	687	223	138	326	220	160 (B14)	161	57.6
SBK-32-3/3	5.5	7.5	864	293	209	362	235	300 (B5)	197	85.4
SBK-32-4/4	7.5	10	977	363	209	405	235	300 (B5)	197	93.4
SBK-32-5/5	11	15	1087	433	209	445	269	350 (B5)	215	125.2
SBK-32-6/6	11	15	1157	503	209	445	269	350 (B5)	215	127.4
SBK-32-7/7	15	20	1272	573	209	490	269	350 (B5)	215	140.1
SBK-32-8/8	15	20	1342	643	209	490	269	350 (B5)	215	142.1
SBK-32-9/9	18.5	25	1462	713	209	540	318	350 (B5)	241	177.3
SBK-32-10/10	18.5	25	1532	783	209	540	318	350 (B5)	241	179.4
SBK-32-11/11	22	30	1602	853	209	540	318	350 (B5)	241	194.9
SBK-32-12/12	22	30	1672	923	209	540	318	350 (B5)	241	197.0
SBK-32-13/13	30	40	1862	993	209	660	390	400 (B5)	295	219.5
SBK-32-14/14	30	40	1932	1063	209	660	390	400 (B5)	295	293.6

Technical data

Performance curves SBK 45



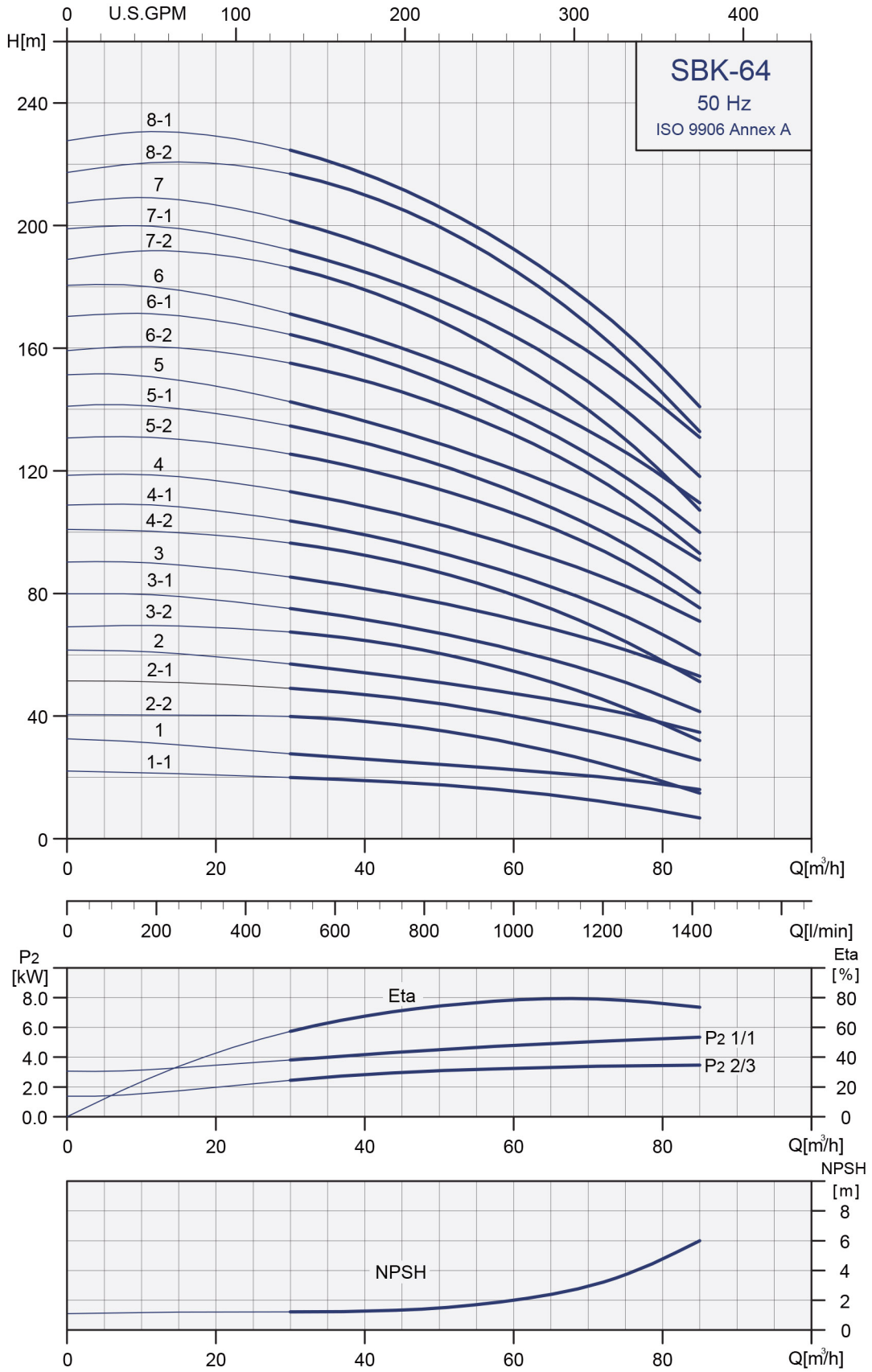
Dimensions and weights SBK 45



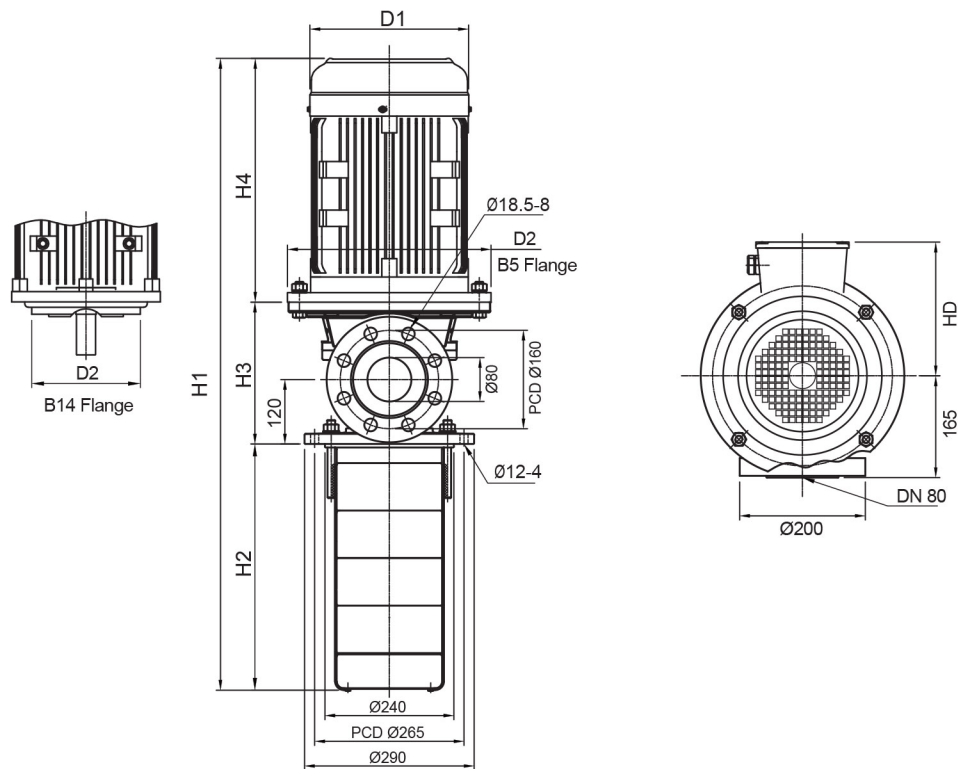
Pump Type	Motor P2		Dimension (mm)							Net Weight (kg)
	kW	HP	H1	H2	H3	H4	D1	D2	HD	
SBK-45-2/1-1	3	4	729	244	169	316	197	160 (B14)	147	55.3
SBK-45-2/1	4	5.5	739	244	169	326	220	160 (B14)	161	62.2
SBK-45-2/2-2	5.5	7.5	846	244	240	362	235	300 (B5)	197	89.6
SBK-45-2/2	7.5	10	889	244	240	405	235	300 (B5)	197	95.5
SBK-45-3/3-2	11	15	1009	324	240	445	269	350 (B5)	215	127.8
SBK-45-3/3	11	15	1009	324	240	445	269	350 (B5)	215	127.8
SBK-45-4/4-2	15	20	1134	404	240	490	269	350 (B5)	215	141.0
SBK-45-4/4	15	20	1134	404	240	490	269	350 (B5)	215	141.0
SBK-45-5/5-2	18.5	25	1264	484	240	540	318	350 (B5)	241	176.7
SBK-45-5/5	18.5	25	1264	484	240	540	318	350 (B5)	241	176.7
SBK-45-6/6-2	22	30	1344	564	240	540	318	350 (B5)	241	192.7
SBK-45-6/6	22	30	1344	564	240	540	318	350 (B5)	241	192.7
SBK-45-7/7-2	30	40	1544	644	240	660	390	400 (B5)	295	290.9
SBK-45-7/7	30	40	1544	644	240	660	390	400 (B5)	295	290.9
SBK-45-8/8-2	30	40	1624	724	240	660	390	400 (B5)	295	293.5
SBK-45-8/8	30	40	1624	724	240	660	390	400 (B5)	295	293.5
SBK-45-9/9-2	30	40	1704	804	240	660	390	400 (B5)	295	296.3
SBK-45-9/9	37	50	1704	804	240	660	390	400 (B5)	295	314.3
SBK-45-10/10-2	37	50	1784	884	240	660	390	400 (B5)	295	316.9
SBK-45-10/10	37	50	1784	884	240	660	390	400 (B5)	295	316.9
SBK-45-11/11-2	45	60	1913	964	259	690	446	450 (B5)	325	404.6
SBK-45-11/11	45	60	1913	964	259	690	446	450 (B5)	325	404.6
SBK-45-12/12-2	45	60	1993	1044	259	690	446	450 (B5)	325	407.3
SBK-45-12/12	45	60	1993	1044	259	690	446	450 (B5)	325	407.3
SBK-45-13/13-2	45	60	2073	1124	259	690	446	450 (B5)	325	410.0

Technical data

Performance curves SBK 64



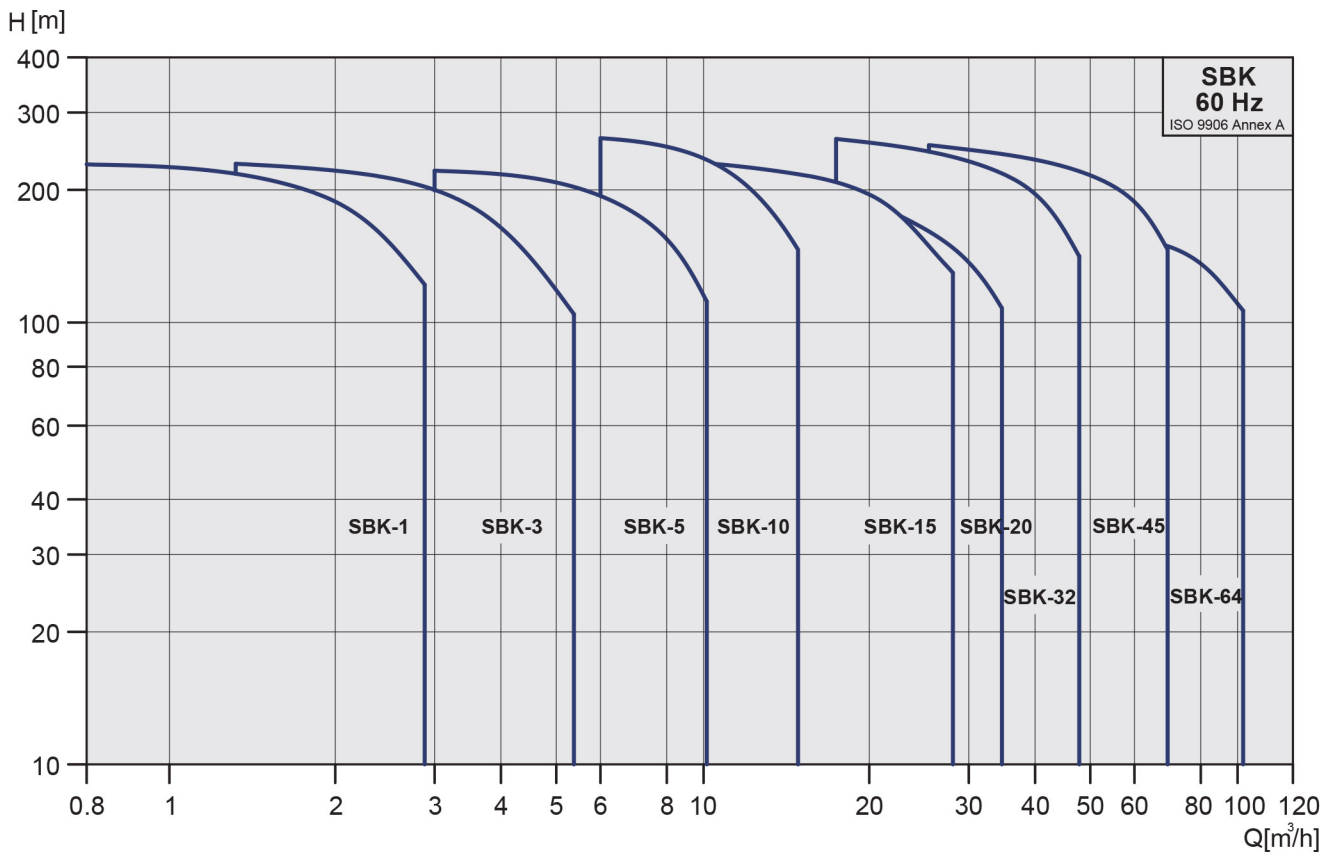
Dimensions and weights SBK 64



Pump Type	Motor P2		Dimension (mm)							Net Weight (kg)
	kW	HP	H1	H2	H3	H4	D1	D2	HD	
SBK-64-2/1-1	4	5.5	744	249	169	326	220	160 (B14)	161	63.4
SBK-64-2/1	5.5	7.5	851	249	240	362	235	300 (B5)	197	89.6
SBK-64-2/2-2	7.5	10	894	249	240	405	235	300 (B5)	197	96.3
SBK-64-2/2-1	11	15	934	249	240	445	269	350 (B5)	215	125.9
SBK-64-2/2	11	15	934	249	240	445	269	350 (B5)	215	125.9
SBK-64-3/3-2	15	20	1062	332	240	490	269	350 (B5)	215	139.4
SBK-64-3/3-1	15	20	1062	332	240	490	269	350 (B5)	215	139.4
SBK-64-3/3	18.5	25	1112	332	240	540	318	350 (B5)	241	172.3
SBK-64-4/4-2	18.5	25	1194	414	240	540	318	350 (B5)	241	175.2
SBK-64-4/4-1	22	30	1194	414	240	540	318	350 (B5)	241	188.6
SBK-64-4/4	22	30	1194	414	240	540	318	350 (B5)	241	188.6
SBK-64-5/5-2	30	40	1397	497	240	660	390	400 (B5)	295	287.2
SBK-64-5/5-1	30	40	1397	497	240	660	390	400 (B5)	295	287.2
SBK-64-5/5	30	40	1397	497	240	660	390	400 (B5)	295	287.2
SBK-64-6/6-2	30	40	1479	579	240	660	390	400 (B5)	295	290.2
SBK-64-6/6-1	37	50	1479	579	240	660	390	400 (B5)	295	308.2
SBK-64-6/6	37	50	1479	579	240	660	390	400 (B5)	295	308.2
SBK-64-7/7-2	37	50	1562	662	240	660	390	400 (B5)	295	311.0
SBK-64-7/7-1	37	50	1562	662	240	660	390	400 (B5)	295	311.0
SBK-64-7/7	45	60	1611	662	259	690	446	450 (B5)	325	396.2
SBK-64-8/8-2	45	60	1693	744	259	690	446	450 (B5)	325	399.0
SBK-64-8/8-1	45	60	1693	744	259	690	446	450 (B5)	325	399.0

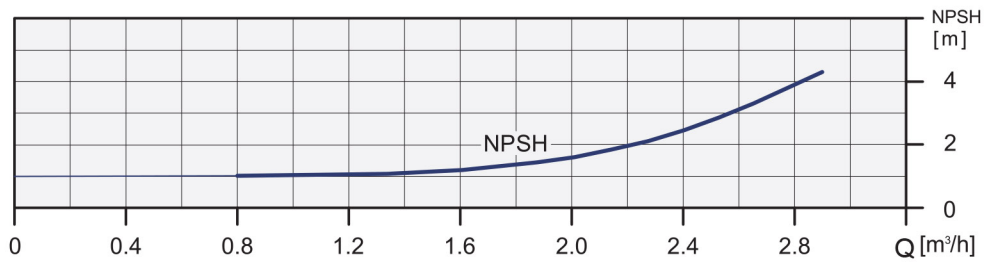
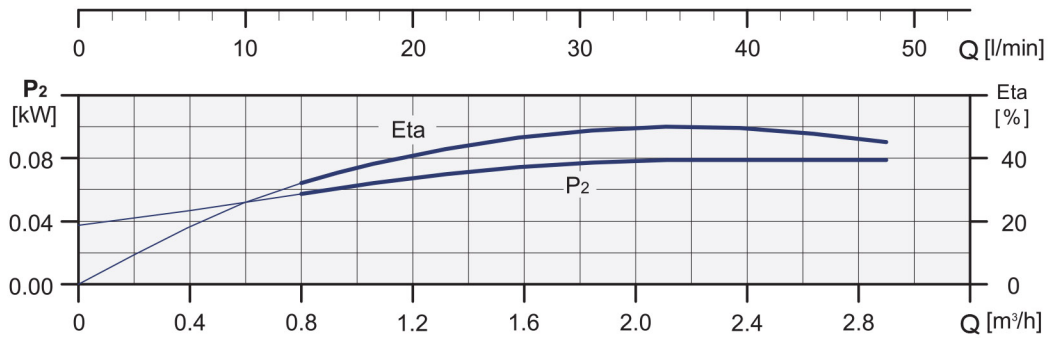
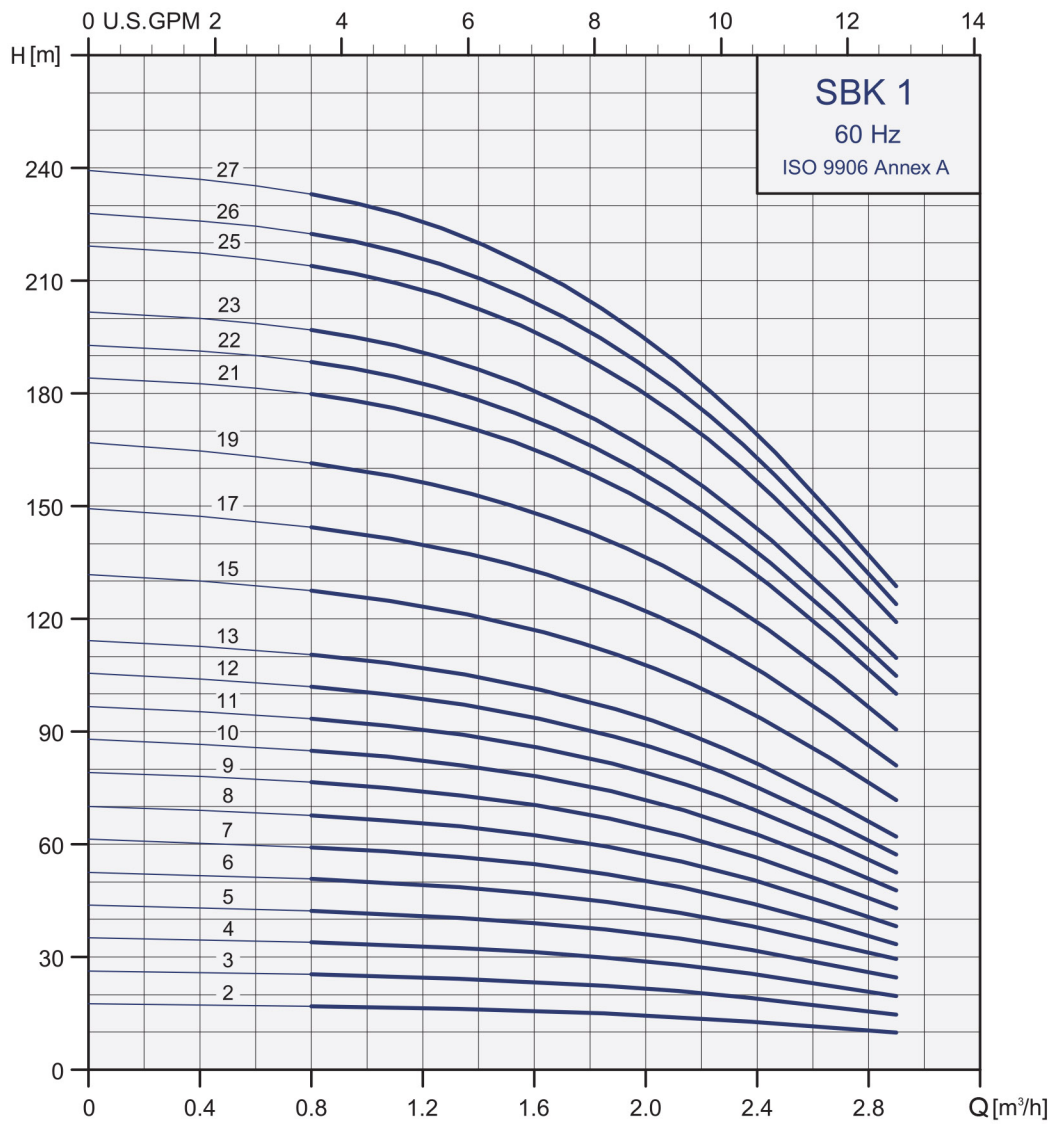
Performance Range

SBK 1 , 3 , 5 , 10 , 15 , 20 , 32 , 45 , 64

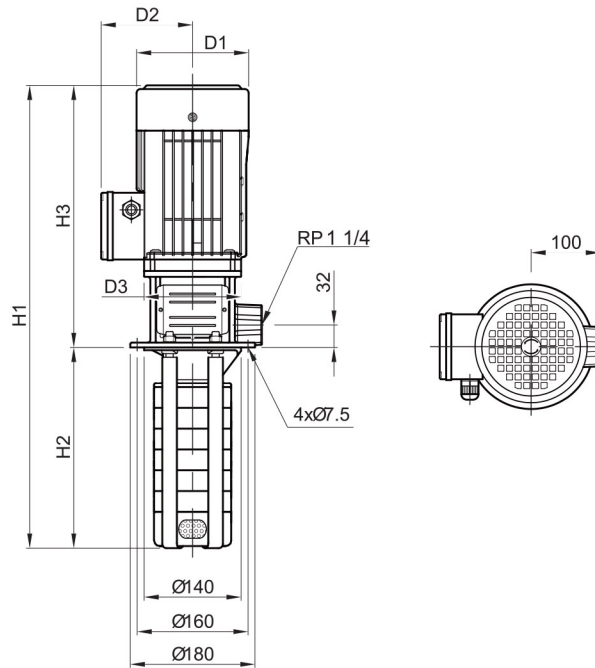


Technical data

Performance curves SBK 1



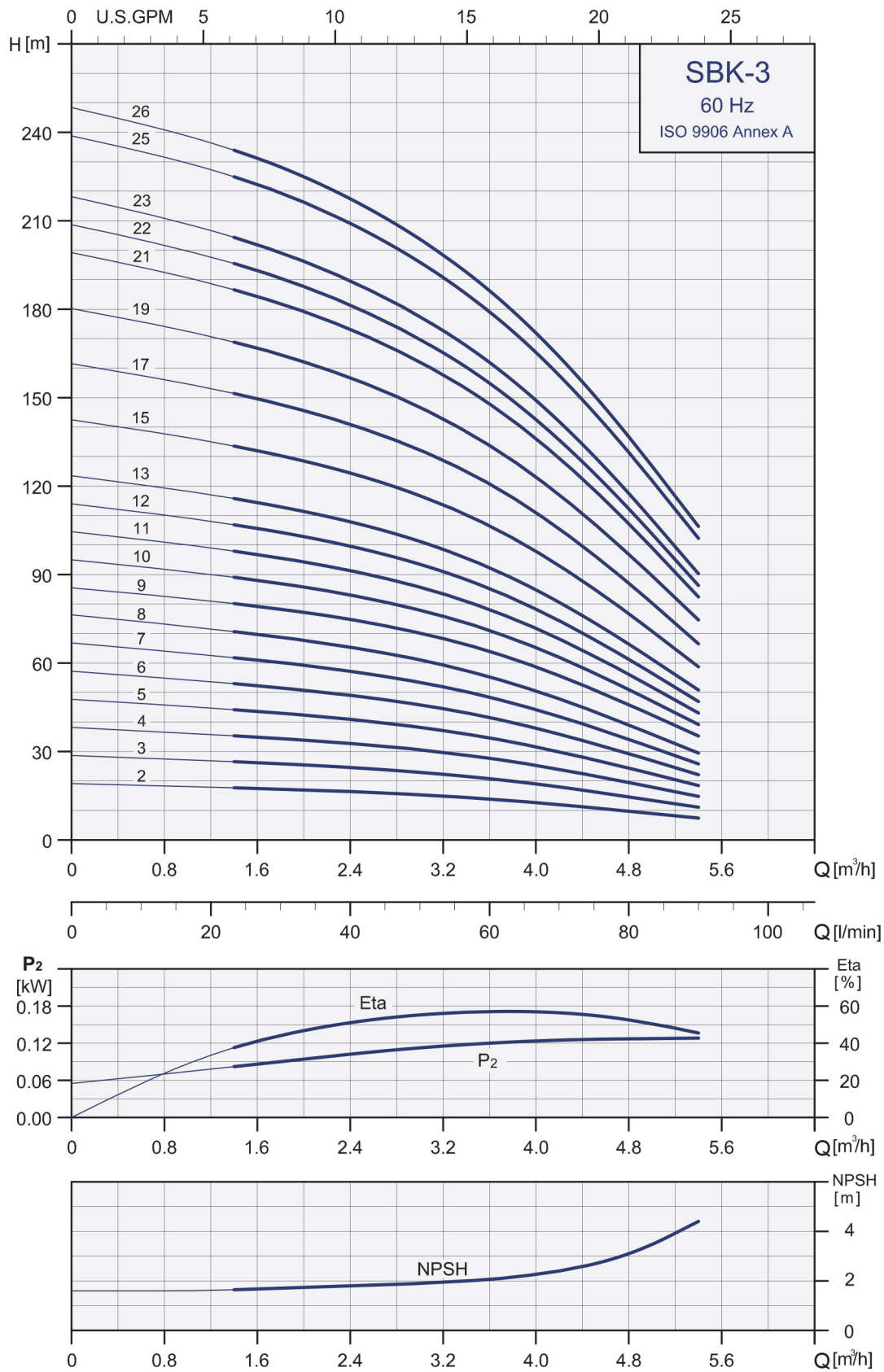
Dimensions and weights SBK 1



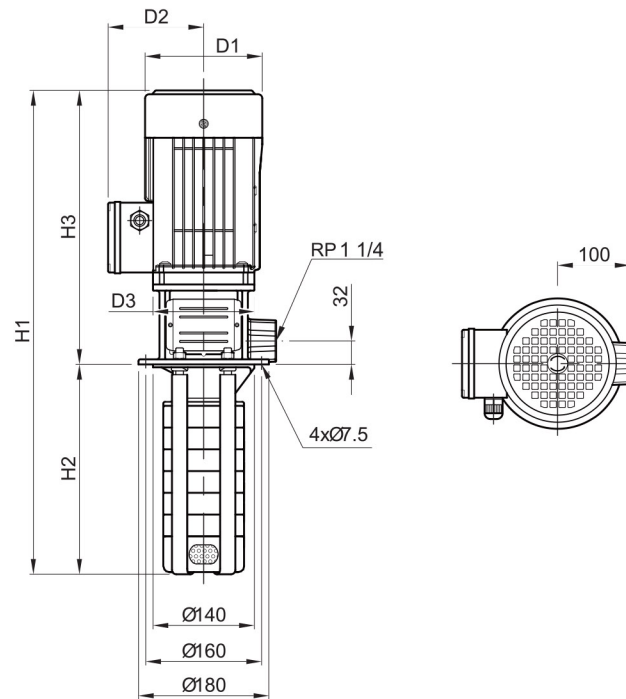
Pump Type	Motor P2		Dimension (mm)						Net Weight (kg)
	kW	HP	H1	H2	H3	D1	D2	D3	
SBK-1-2/2	0.37	0.5	465.4	160	305.4	141	115	140	12.1
SBK-1-3/3	0.37	0.5	483.4	178	305.4	141	115	140	12.3
SBK-1-4/4	0.37	0.5	501.4	196	305.4	141	115	140	12.5
SBK-1-5/5	0.55	0.75	519.4	214	305.4	141	115	140	13.2
SBK-1-6/6	0.55	0.75	537.4	232	305.4	141	115	140	13.5
SBK-1-7/7	0.75	1	595.4	250	345.4	141	115	140	15.3
SBK-1-8/8	0.75	1	613.4	268	345.4	141	115	140	15.5
SBK-1-9/9	0.75	1	631.4	286	345.4	141	115	140	15.7
SBK-1-10/10	1.1	1.5	703.4	304	399.4	177	141	140	22.7
SBK-1-11/11	1.1	1.5	721.4	322	399.4	177	141	140	22.9
SBK-1-12/12	1.1	1.5	739.4	340	399.4	177	141	140	23.2
SBK-1-13/13	1.1	1.5	757.4	358	399.4	177	141	140	23.4
SBK-1-15/15	1.5	2	799.4	394	405.4	177	141	140	27.8
SBK-1-17/17	1.5	2	835.4	430	405.4	177	141	140	28.2
SBK-1-19/19	2.2	3	871.4	466	405.4	177	141	140	30.9
SBK-1-21/21	2.2	3	907.4	502	405.4	177	141	140	31.3
SBK-1-22/22	2.2	3	925.4	520	405.4	177	141	140	31.6
SBK-1-23/23	2.2	3	943.4	538	405.4	177	141	140	31.8
SBK-1-25/25	2.2	3	979.4	574	405.4	177	141	140	32.0
SBK-1-26/26	3	4	1023.9	592	431.9	197	147	160	34.5
SBK-1-27/27	3	4	1041.9	610	431.9	197	147	160	34.7

Technical data

Performance curves SBK 3



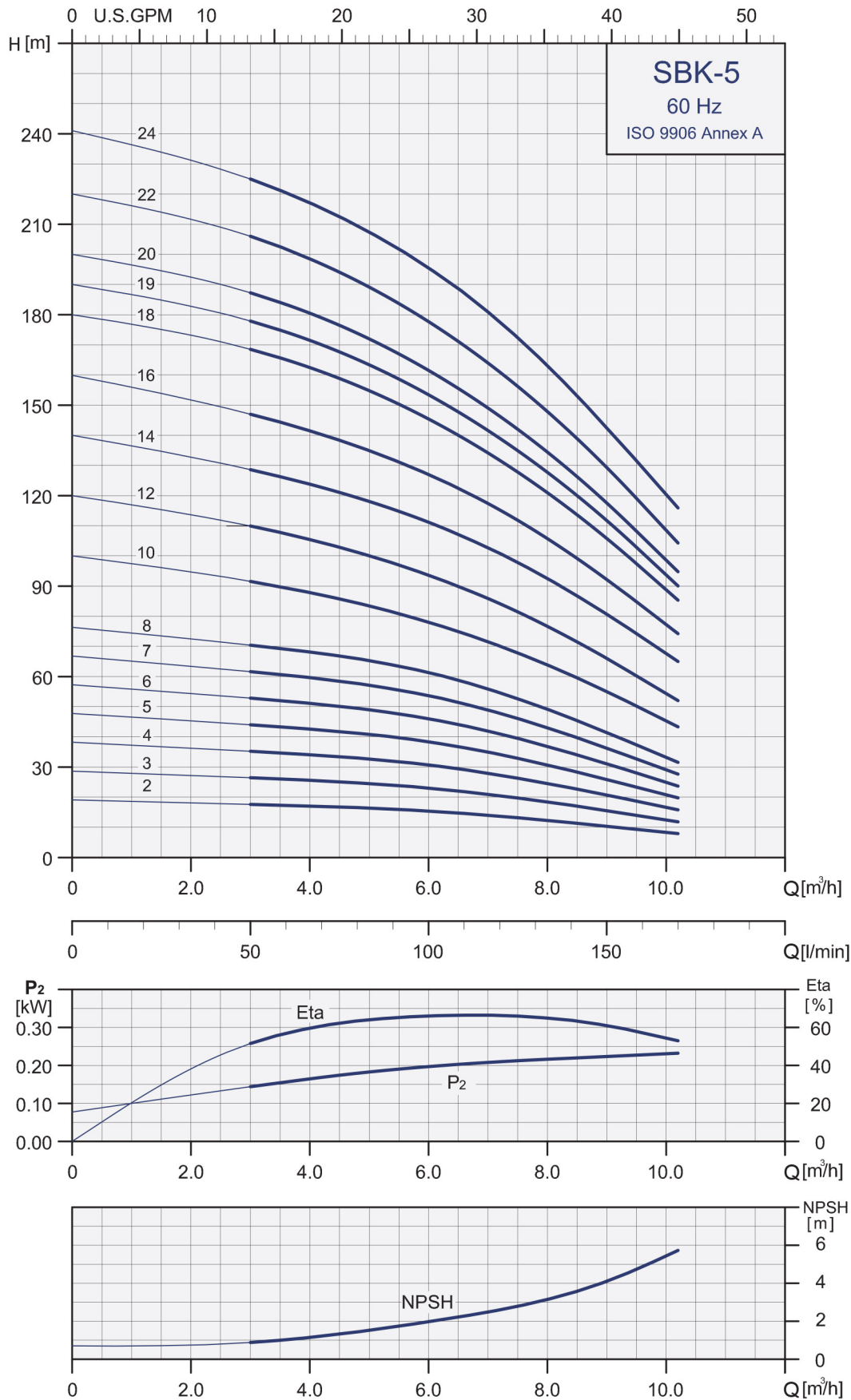
Dimensions and weights SBK 3



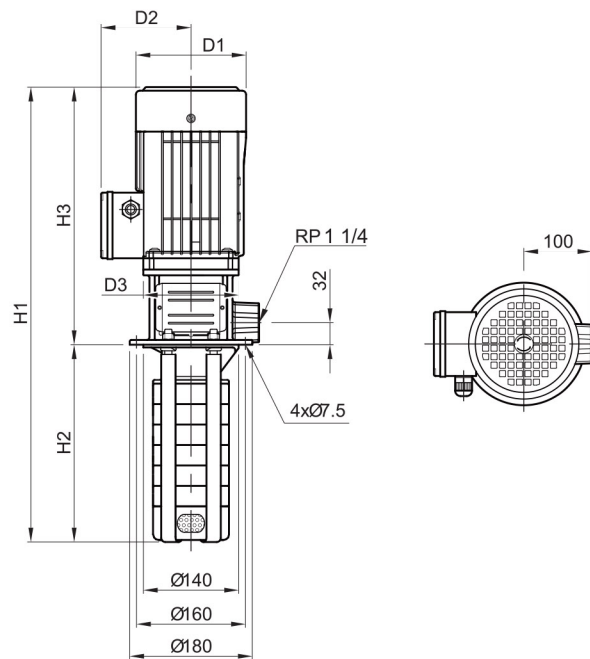
Pump Type	Motor P2		Dimension (mm)						Net Weight (kg)
	kW	HP	H1	H2	H3	D1	D2	D3	
SBK-3-2/2	0.37	0.5	465.4	160	305.4	141	115	140	12.1
SBK-3-3/3	0.55	0.75	483.4	178	305.4	141	115	140	12.8
SBK-3-4/4	0.55	0.75	501.4	196	305.4	141	115	140	13.0
SBK-3-5/5	0.75	1	559.4	214	345.4	141	115	140	14.8
SBK-3-6/6	1.1	1.5	631.4	232	399.4	177	141	140	21.7
SBK-3-7/7	1.1	1.5	649.4	250	399.4	177	141	140	22.0
SBK-3-8/8	1.1	1.5	667.4	268	399.4	177	141	140	22.2
SBK-3-9/9	1.5	2	691.4	286	405.4	177	141	140	26.4
SBK-3-10/10	1.5	2	709.4	304	405.4	177	141	140	26.7
SBK-3-11/11	1.5	2	727.4	322	405.4	177	141	140	26.9
SBK-3-12/12	2.2	3	745.4	340	405.4	177	141	140	29.3
SBK-3-13/13	2.2	3	763.4	358	405.4	177	141	140	29.6
SBK-3-15/15	2.2	3	799.4	394	405.4	177	141	140	30.0
SBK-3-17/17	2.2	3	835.4	430	405.4	177	141	140	30.1
SBK-3-19/19	3	4	897.9	466	431.9	197	147	160	33.5
SBK-3-21/21	3	4	933.9	502	431.9	197	147	160	33.9
SBK-3-22/22	3	4	951.9	520	431.9	197	147	160	34.2
SBK-3-23/23	3	4	969.9	538	431.9	197	147	160	34.4
SBK-3-25/25	4	5.5	1015.9	574	441.9	220	161	160	44.7
SBK-3-26/26	4	5.5	1033.9	592	441.9	220	161	160	45.0

Technical data

Performance curves SBK 5



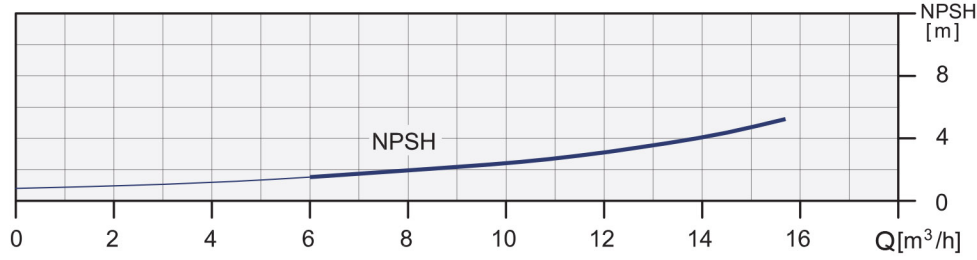
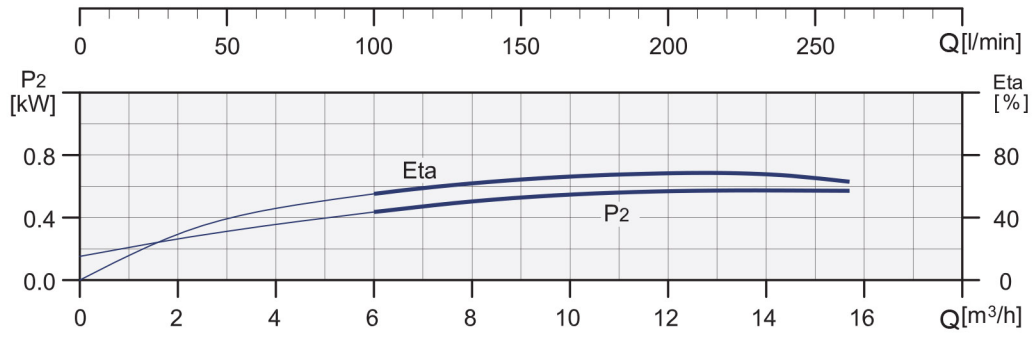
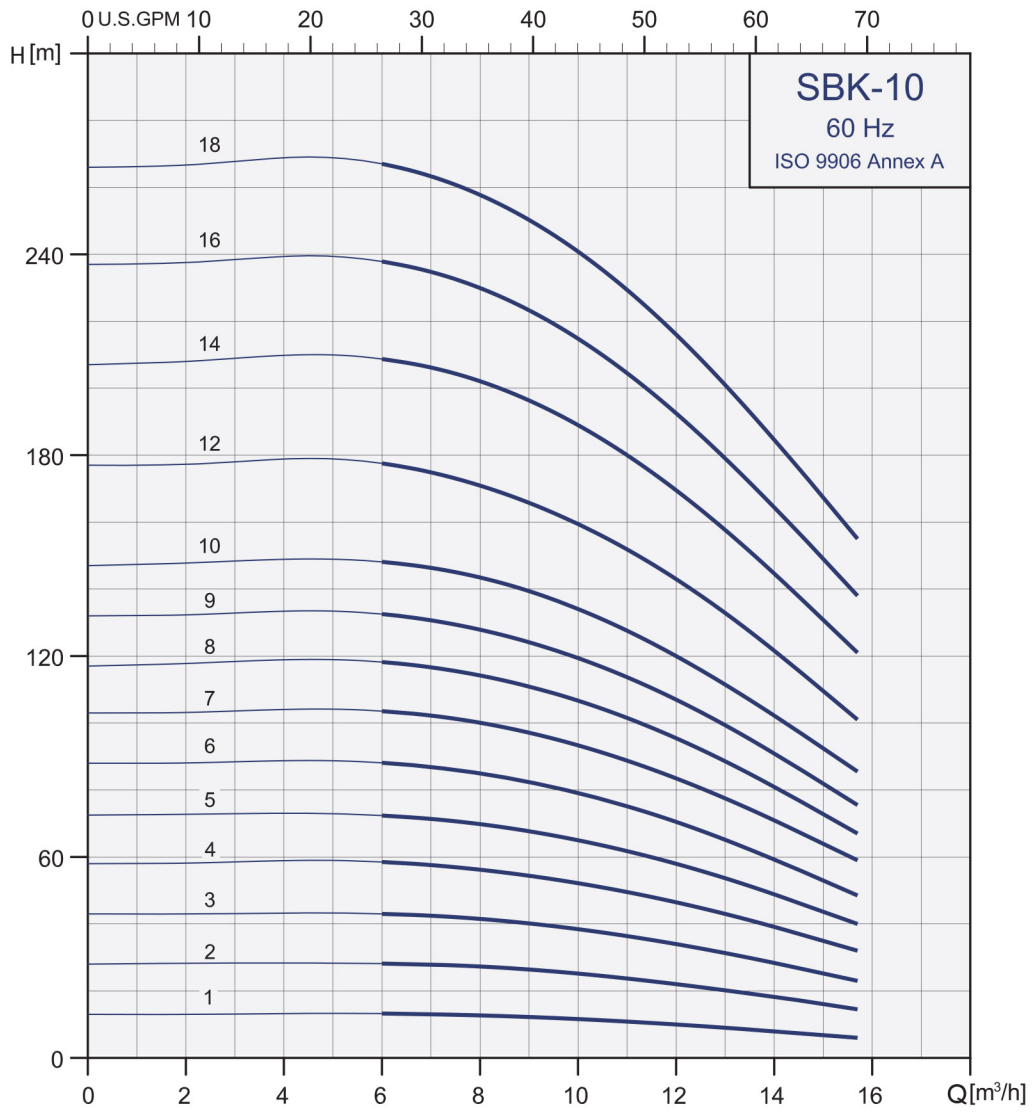
Dimensions and weights SBK 5



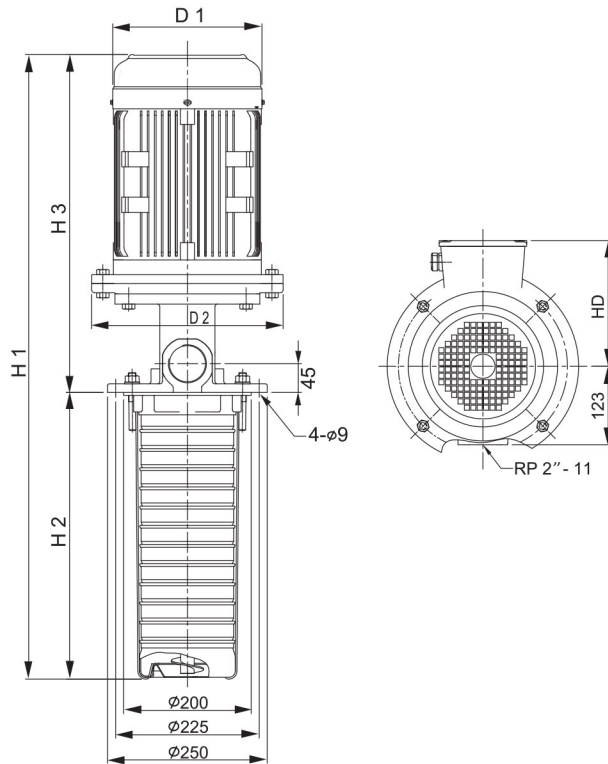
Pump Type	Motor P2		Dimension (mm)						Net Weight (kg)
	kW	HP	H1	H2	H3	D1	D2	D3	
SBK-5-2/2	0.55	0.75	474.4	169	305.4	141	115	140	12.7
SBK-5-3/3	1.1	1.5	595.4	196	399.4	177	141	140	21.3
SBK-5-4/4	1.1	1.5	622.4	223	399.4	177	141	140	21.7
SBK-5-5/5	1.5	2	655.4	250	405.4	177	141	140	26.1
SBK-5-6/6	2.2	3	682.4	277	405.4	177	141	140	28.6
SBK-5-7/7	2.2	3	709.4	304	405.4	177	141	140	29.0
SBK-5-8/8	2.2	3	736.4	331	405.4	177	141	140	29.4
SBK-5-10/10	3	4	816.9	385	431.9	197	147	160	33.2
SBK-5-12/12	3	4	870.9	439	431.9	197	147	160	33.6
SBK-5-14/14	4	5.5	934.9	493	441.9	220	161	160	43.8
SBK-5-16/16	4	5.5	988.9	547	441.9	220	161	160	44.2
SBK-5-18/18	5.5	7.5	1107.9	601	506.9	235	197	300	65.1
SBK-5-19/19	5.5	7.5	1134.9	628	506.9	235	197	300	65.5
SBK-5-20/20	5.5	7.5	1161.9	655	506.9	235	197	300	65.9
SBK-5-22/22	5.5	7.5	1215.9	709	506.9	235	197	300	66.6
SBK-5-24/24	7.5	10	1312.9	763	549.9	235	197	300	75.7

Technical data

Performance curves SBK 10



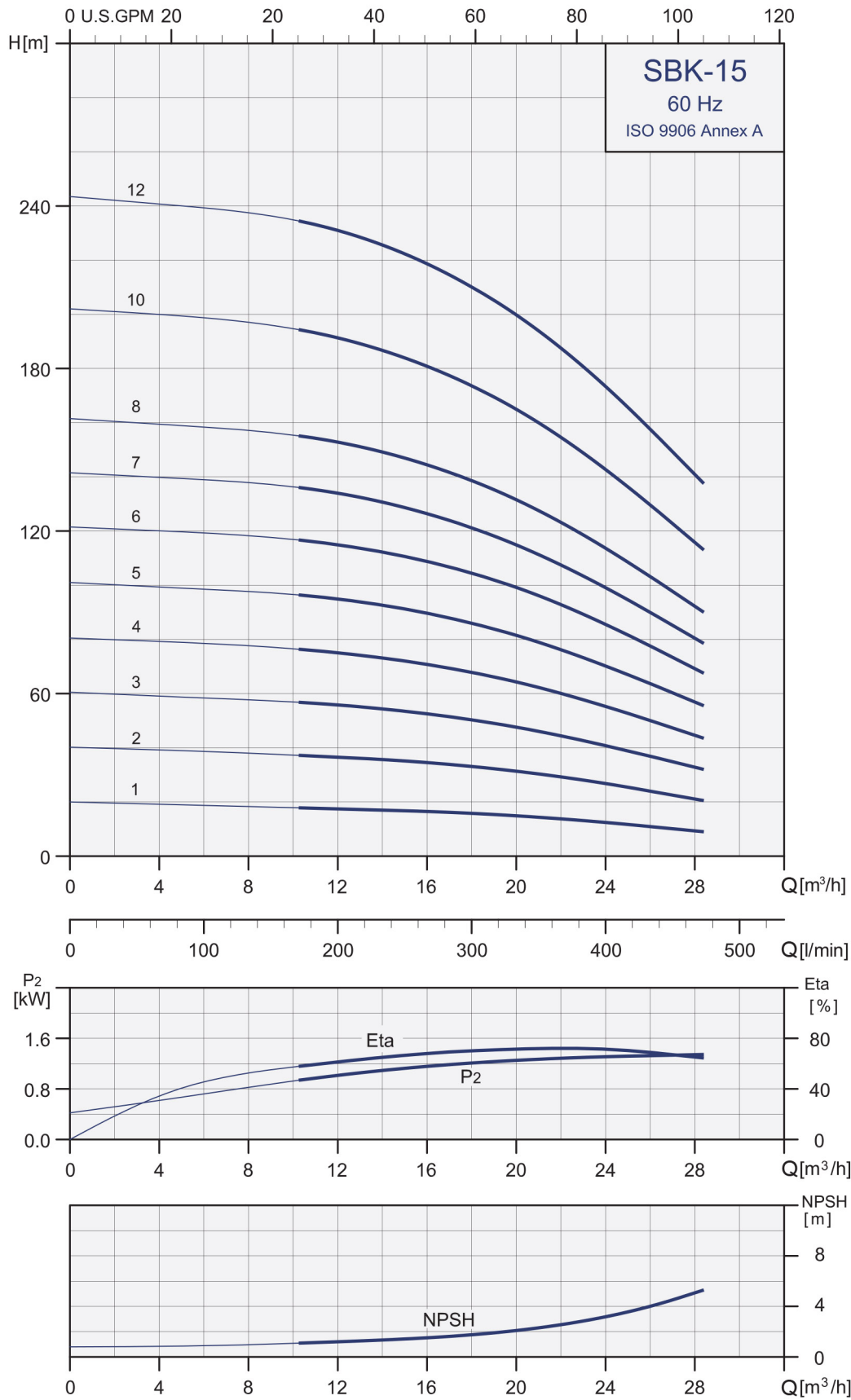
Dimensions and weights SBK 10



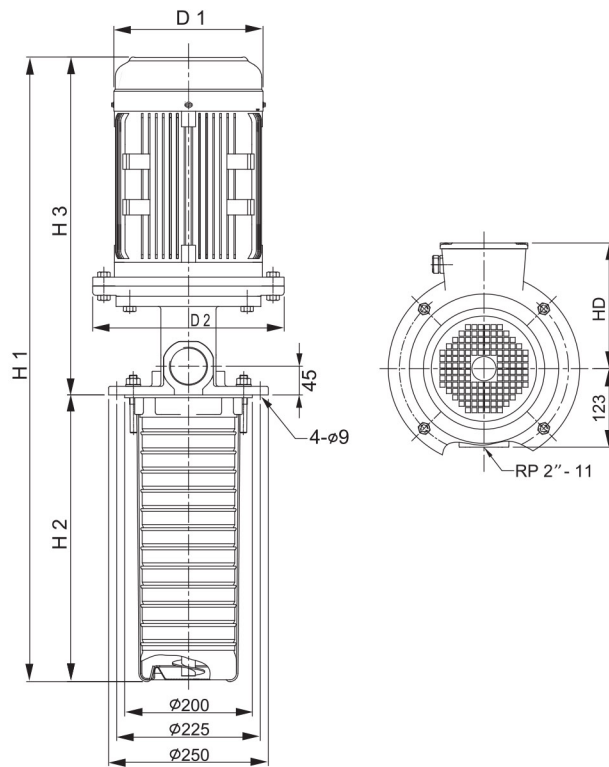
Pump Type	Motor P2		Dimension (mm)					Net Weight (kg)	
	kW	HP	H1	H2	H3	D1	D2		HD
SBK-10-2/1	0.75	1	523	148	375	141	140	115	21.7
SBK-10-2/2	1.5	2	583	148	435	177	140	141	32.3
SBK-10-3/3	2.2	3	613	178	435	177	140	141	35.1
SBK-10-4/4	3	4	665	208	457	197	160	147	42.0
SBK-10-5/5	3	4	695	238	457	197	160	147	42.8
SBK-10-6/6	4	5.5	735	268	467	220	160	161	50.3
SBK-10-7/7	5.5	7.5	831	298	533	235	300	197	67.9
SBK-10-8/8	5.5	7.5	861	328	533	235	300	197	76.8
SBK-10-9/9	5.5	7.5	891	358	533	235	300	197	77.6
SBK-10-10/10	7.5	10	964	388	576	235	300	197	84.4
SBK-10-12/12	7.5	10	1024	448	576	235	300	197	85.8
SBK-10-14/14	11	15	1153	508	645	269	352	215	117.4
SBK-10-16/16	11	15	1213	568	645	269	352	215	118.9
SBK-10-18/18	11	15	1273	628	645	269	352	215	120.4
SBK-10-20/18	11	15	1333	688	645	269	352	215	121.2
SBK-10-22/18	11	15	1393	748	645	269	352	215	122.0

Technical data

Performance curves SBK 15



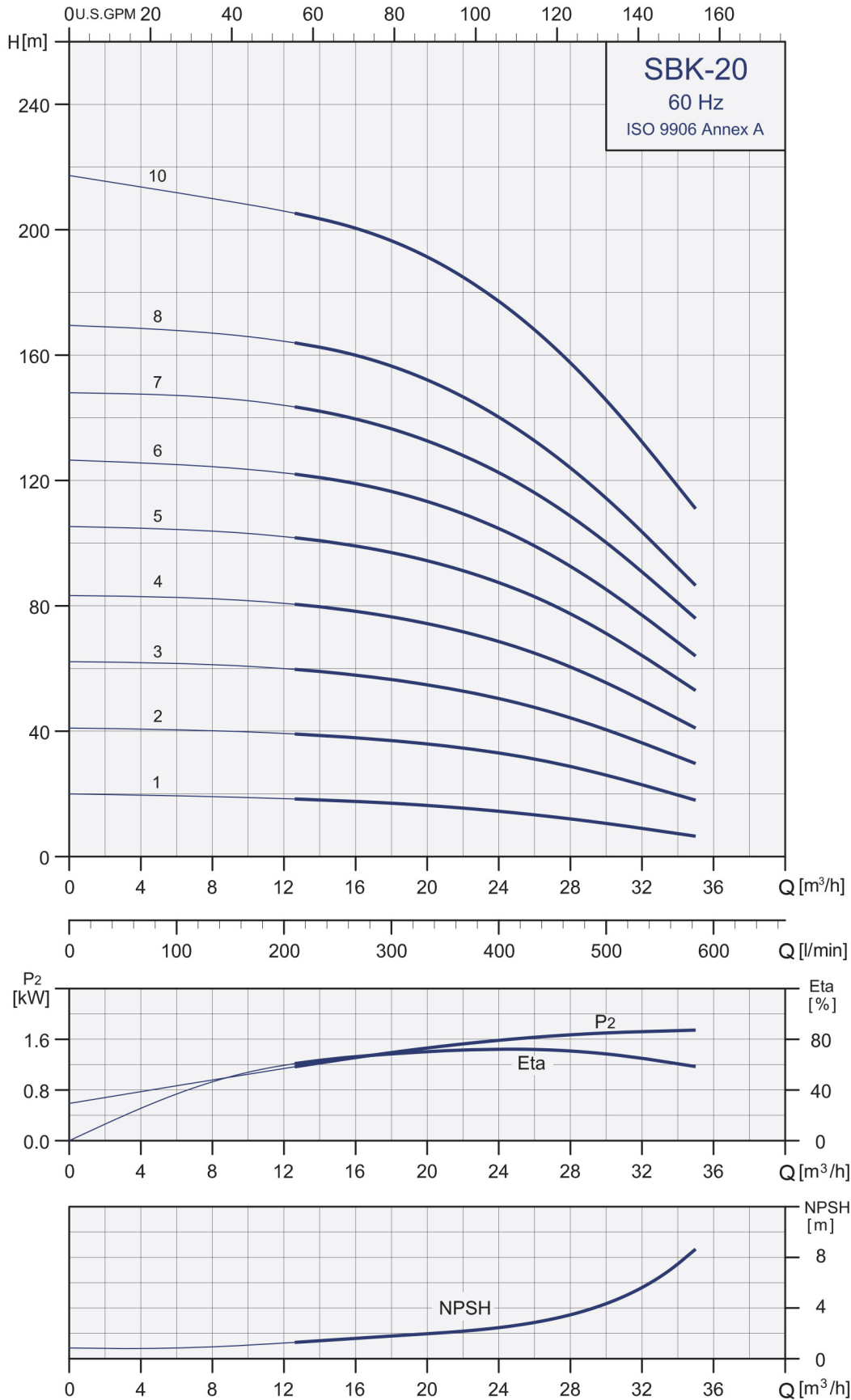
Dimensions and weights SBK 15



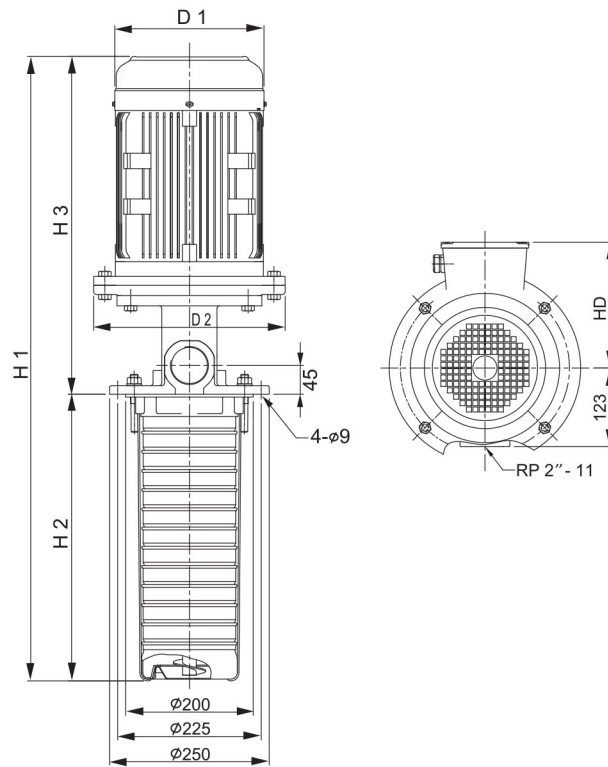
Pump Type	Motor P2		Dimension (mm)						Net Weight (kg)
	kW	HP	H1	H2	H3	D1	D2	HD	
SBK-15-2/1	1.5	2	613	178	435	177	140	141	33.1
SBK-15-2/2	3	4	635	178	457	197	160	147	37.9
SBK-15-3/3	4	5.5	690	223	467	220	160	161	49.2
SBK-15-4/4	5.5	7.5	801	268	533	235	300	197	75.2
SBK-15-5/5	7.5	10	889	313	576	235	300	197	82.2
SBK-15-6/6	11	15	1003	358	645	269	352	215	113.3
SBK-15-7/7	11	15	1048	403	645	269	352	215	114.3
SBK-15-8/8	11	15	1093	448	645	269	352	215	115.3
SBK-15-10/10	15	20	1228	538	690	269	352	215	127.8
SBK-15-12/12	18.5	25	1368	628	740	318	352	241	162.7
SBK-15-14/12	18.5	25	1458	718	740	318	352	241	163.8
SBK-15-16/12	18.5	25	1548	808	740	318	352	241	165.0
SBK-15-17/12	18.5	25	1593	853	740	318	352	241	165.6

Technical data

Performance curves SBK 20



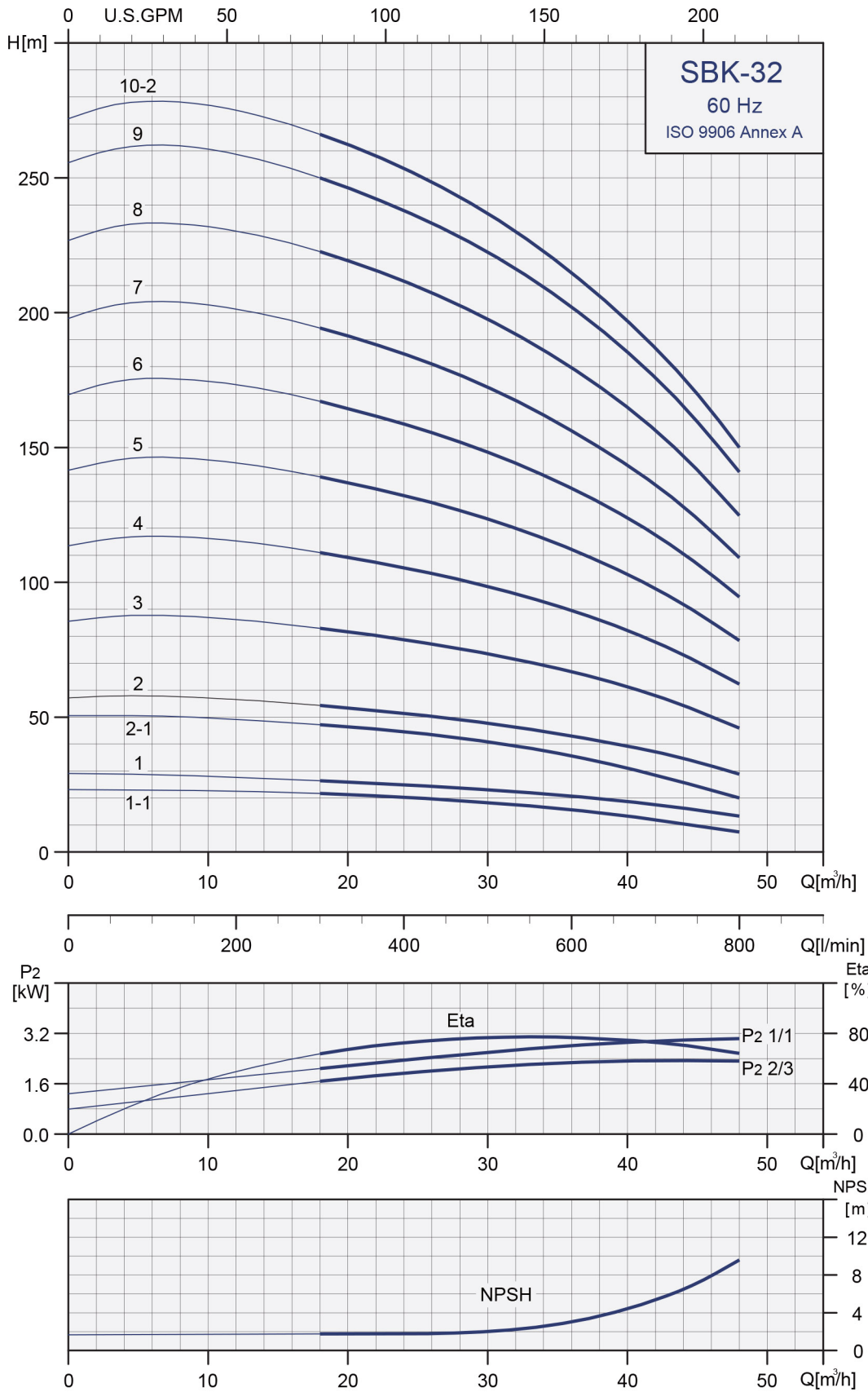
Dimensions and weights SBK 20



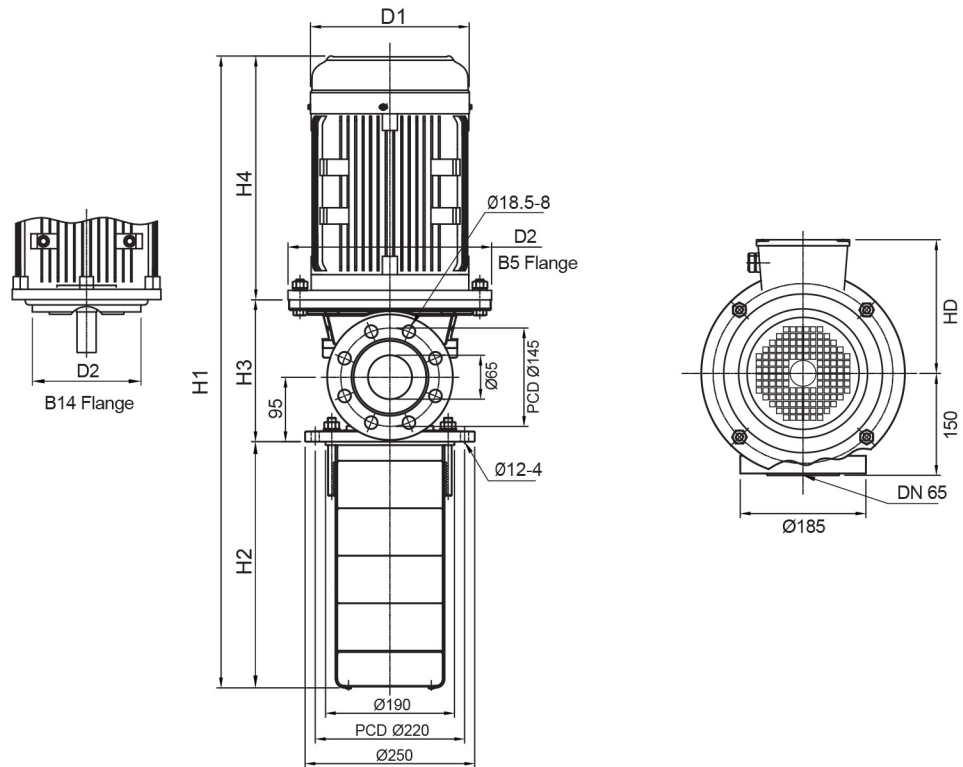
Pump Type	Motor P2		Dimension (mm)						Net Weight (kg)
	kW	HP	H1	H2	H3	D1	D2	HD	
SBK-20-2/1	2.2	3	613	178	435	177	140	141	35.4
SBK-20-2/2	4	5.5	645	178	467	220	160	161	48.3
SBK-20-3/3	5.5	7.5	756	223	533	235	300	197	74.2
SBK-20-4/4	7.5	10	844	268	576	235	300	197	81.2
SBK-20-5/5	11	15	958	313	645	269	352	215	112.3
SBK-20-6/6	11	15	1003	358	645	269	352	215	113.3
SBK-20-7/7	15	20	1093	403	690	269	352	215	124.9
SBK-20-8/8	15	20	1138	448	690	269	352	215	125.9
SBK-20-10/10	18.5	25	1278	538	740	318	352	241	160.7
SBK-20-12/10	18.5	25	1368	628	740	318	352	241	161.8
SBK-20-14/10	18.5	25	1458	718	740	318	352	241	163.0
SBK-20-16/10	18.5	25	1548	808	740	318	352	241	164.1
SBK-20-17/10	18.5	25	1593	853	740	318	352	241	164.7

Technical data

Performance curves SBK 32



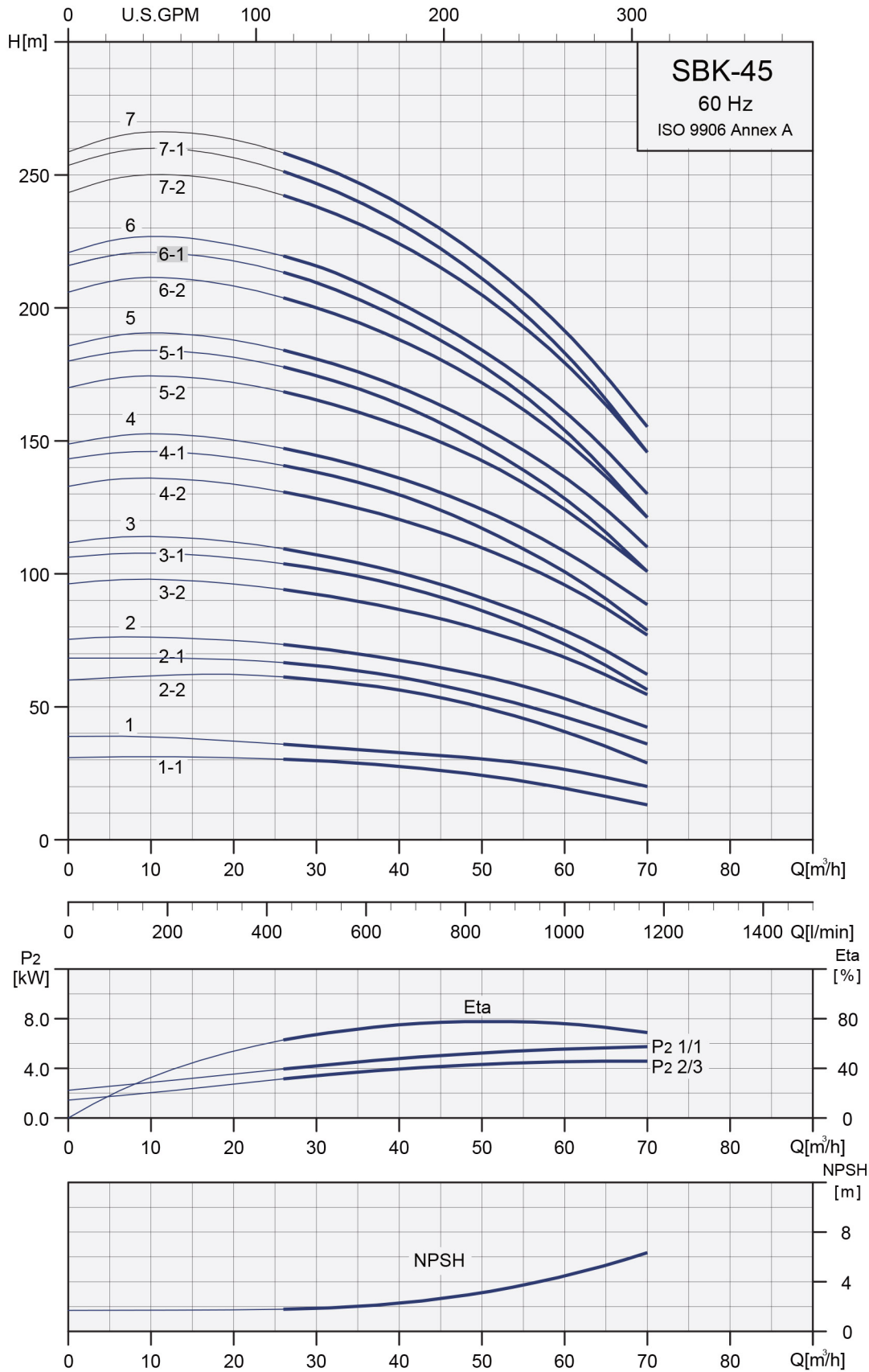
Dimensions and weights SBK 32



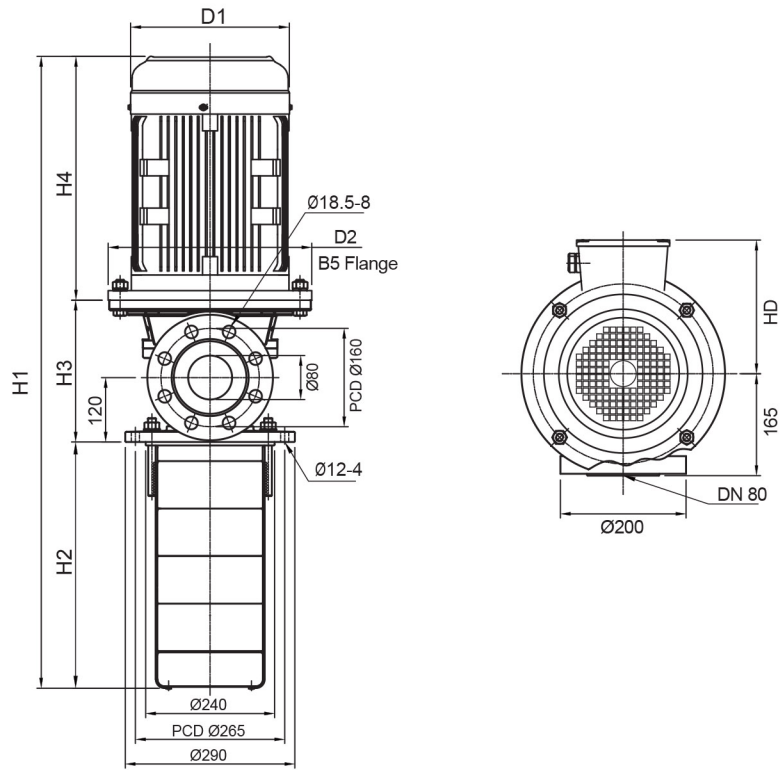
Pump Type	Motor P2		Dimension (mm)							Net Weight (kg)
	kW	HP	H1	H2	H3	H4	D1	D2	HD	
SBK-32-2/1-1	2.2	3	656	223	138	295	177	200 (B5)	141	45.5
SBK-32-2/1	3	4	677	223	138	316	197	160 (B14)	147	49.8
SBK-32-2/2-1	5.5	7.5	794	223	209	362	235	300 (B5)	197	83.2
SBK-32-2/2	7.5	10	837	223	209	405	235	300 (B5)	197	89.1
SBK-32-3/3	11	15	947	293	209	445	269	350 (B5)	215	120.9
SBK-32-4/4	15	20	1062	363	209	490	269	350 (B5)	215	133.5
SBK-32-5/5	18.5	25	1182	433	209	540	318	350 (B5)	241	168.6
SBK-32-6/6	18.5	25	1252	503	209	540	318	350 (B5)	241	170.8
SBK-32-7/7	22	30	1322	573	209	540	318	350 (B5)	241	186.3
SBK-32-8/8	30	40	1512	643	209	660	390	400 (B5)	295	283.9
SBK-32-9/9	30	40	1582	713	209	660	390	400 (B5)	295	286.2
SBK-32-10/10-2	30	40	1652	783	209	660	390	400 (B5)	295	288.3

Technical data

Performance curves SBK 45



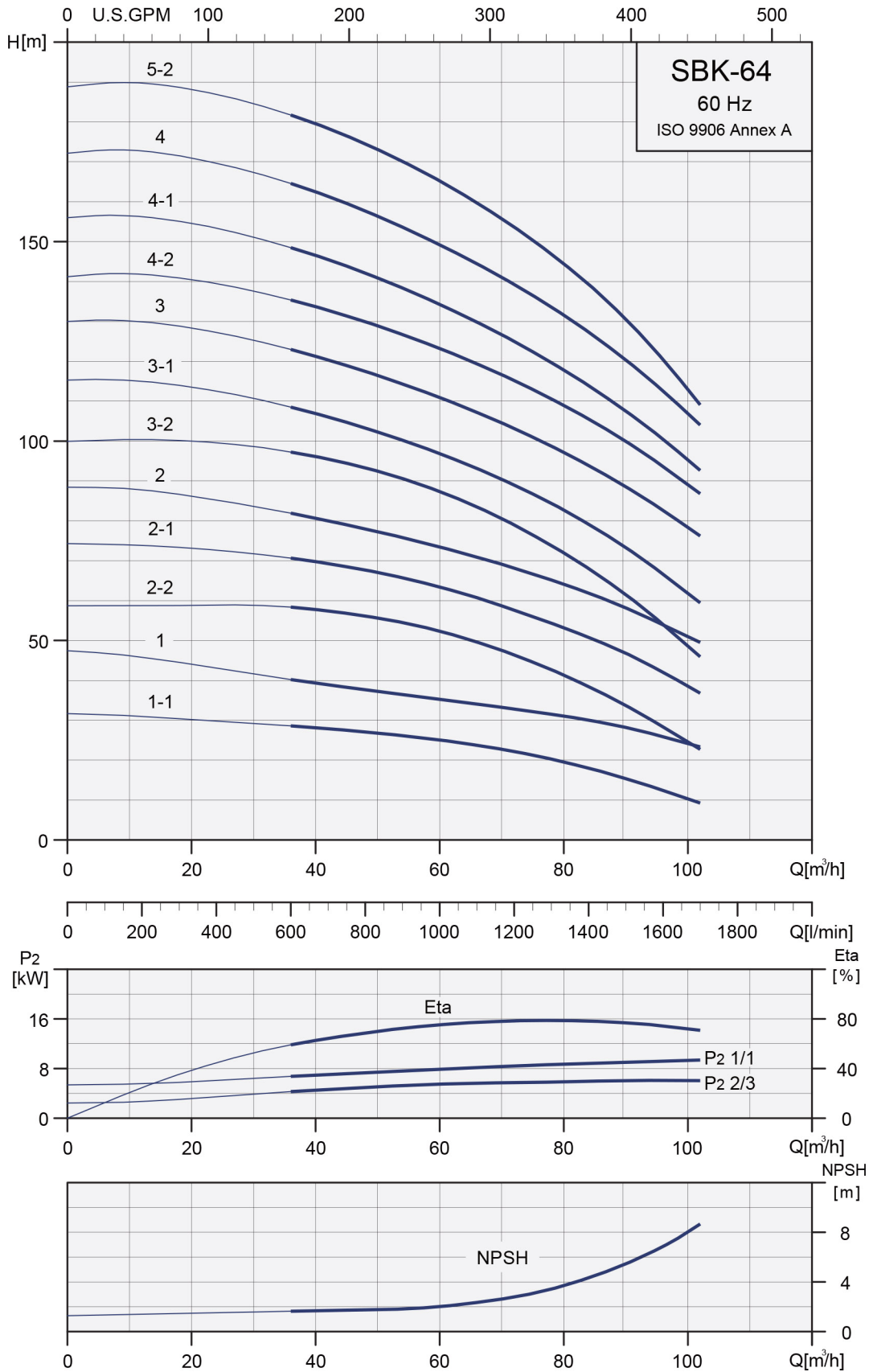
Dimensions and weights SBK 45



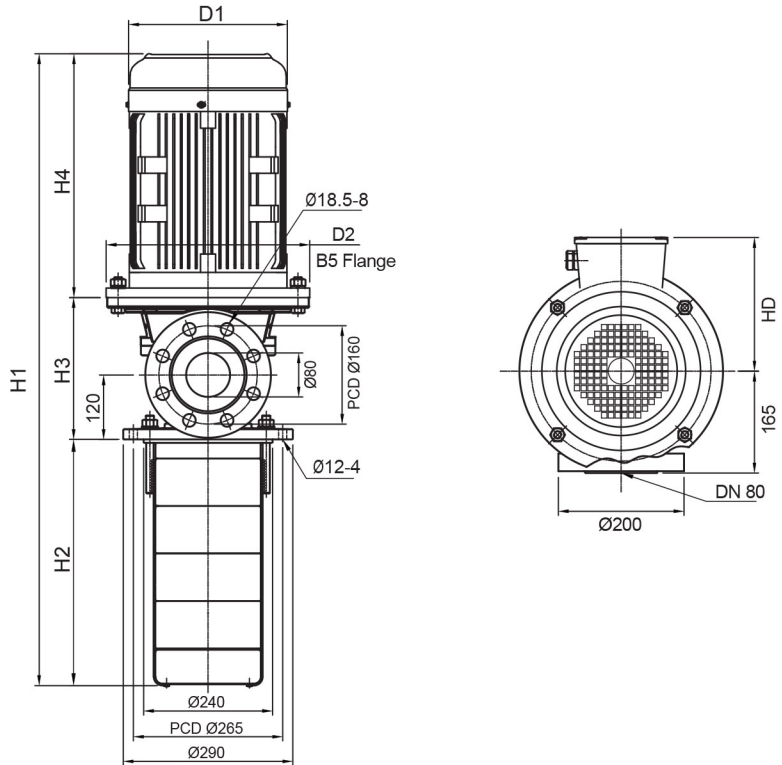
Pump Type	Motor P2		Dimension (mm)							Net Weight (kg)
	kW	HP	H1	H2	H3	H4	D1	D2	HD	
SBK-45-2/1-1	5.5	7.5	846	244	240	362	235	300	197	88.4
SBK-45-2/1	7.5	10	889	244	240	405	235	300	197	94.3
SBK-45-2/2-2	11	15	929	244	240	445	269	350	215	125.2
SBK-45-2/2-1	11	15	929	244	240	445	269	350	215	125.2
SBK-45-2/2	15	20	974	244	240	490	269	350	215	135.8
SBK-45-3/3-2	18.5	25	1104	324	240	540	318	350	241	171.3
SBK-45-3/3-1	18.5	25	1104	324	240	540	318	350	241	171.3
SBK-45-3/3	18.5	25	1104	324	240	540	318	350	241	171.3
SBK-45-4/4-2	22	30	1184	404	240	540	318	350	241	187.4
SBK-45-4/4-1	30	40	1304	404	240	660	390	400	295	283.0
SBK-45-4/4	30	40	1304	404	240	660	390	400	295	283.0
SBK-45-5/5-2	30	40	1384	484	240	660	390	400	295	285.7
SBK-45-5/5-1	30	40	1384	484	240	660	390	400	295	285.7
SBK-45-5/5	30	40	1384	484	240	660	390	400	295	285.7
SBK-45-6/6-2	37	50	1464	564	240	660	390	400	295	306.4
SBK-45-6/6-1	37	50	1464	564	240	660	390	400	295	306.4
SBK-45-6/6	37	50	1464	564	240	660	390	400	295	306.4
SBK-45-7/7-2	45	60	1593	644	259	690	446	450	325	393.9
SBK-45-7/7-1	45	60	1593	644	259	690	446	450	325	393.9
SBK-45-7/7	45	60	1593	644	259	690	446	450	325	393.9

Technical data

Performance curves SBK 64



Dimensions and weights SBK 64



Pump Type	Motor P2		Dimension (mm)							Net Weight (kg)
	kW	HP	H1	H2	H3	H4	D1	D2	HD	
SBK-64-2/1-1	7.5	10	894	249	240	405	235	300	197	95.4
SBK-64-2/1	11	15	934	249	240	445	269	350	215	125.1
SBK-64-2/2-2	15	20	979	249	240	490	269	350	215	136.5
SBK-64-2/2-1	18.5	25	1029	249	240	540	318	350	241	169.4
SBK-64-2/2	22	30	1029	249	240	540	318	350	241	182.8
SBK-64-3/3-2	22	30	1112	332	240	540	318	350	241	185.7
SBK-64-3/3-1	30	40	1232	332	240	660	390	400	295	281.3
SBK-64-3/3	30	40	1232	332	240	660	390	400	295	281.3
SBK-64-4/4-2	37	50	1314	414	240	660	390	400	295	302.2
SBK-64-4/4-1	37	50	1314	414	240	660	390	400	295	302.2
SBK-64-4/4	45	60	1363	414	259	690	446	450	325	387.2
SBK-64-5/5-2	45	60	1446	497	259	690	446	450	325	390.1
SBK-64-6/5-2	45	60	1529	580	259	690	446	450	325	390.4

Application

- Cooling units
- Grinding machines
- Machine centers
- Spark machine tools
- Filtering systems
- Milling machines
- Boring machines
- Drilling machines
- Filtering systems
- Swarf conveyors
- Industrial washing machines

Feature

- Compact design
- High Efficiency Reliability
- Easy installation
- Flexible installation length
- Wide performance range
- Reliability
- Service-friendly



CBK pumps are vertical multistage centrifugal pumps especially designed for pumping of cooling lubricants for machine tools, and to be mounted on top of tanks with the pump stack immersed in the pumped liquid.

CBK pumps are available with various pump sizes and various numbers of stages to provide the flow, the pressure and the length required.

CBK 50 Hz Product Data

Range	2	4	8	12
Frequency	50Hz	50Hz	50Hz	50Hz
Rated flow rate (m ³ /h)	2.5	4	8	12.5
Flow range (m ³ /h)	1~3.5	1~8	4.8~12	7.2~14.4
Maximum head (bar)	10	5	8.5	9.5
Motor power P1 (W)	260~1520	370~1530	1114~3429	2410~5667
Temperature range (°C)	-10 to +90			

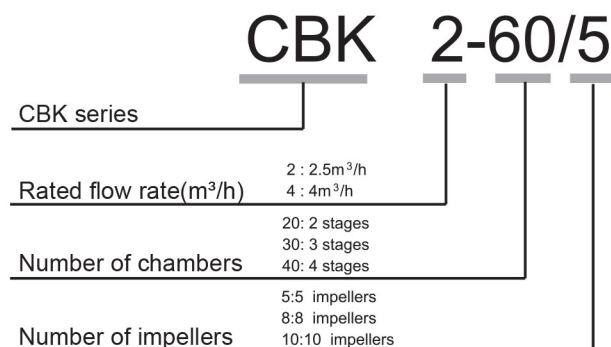
Pipe connection		
Union	Rp 3/4	Rp1 1/4

CBK 60 Hz Product Data

Range	2	4	8	12
Frequency	60Hz	60Hz	60Hz	60Hz
Rated flow rate (m ³ /h)	3	4.8	9.5	12.5
Flow range (m ³ /h)	1~4	1~8	5.4~13.2	9.6~16.8
Maximum head (bar)	10	5	12	8.5
Motor power P1 (W)	340~1820	520~1950	1724~5448	3867~5619
Temperature range (°C)	-10 to +90			

Pipe connection		
Union	Rp 3/4	Rp1 1/4

Model code



Motor Data

CBK is fitted with totally enclosed fan-cooled,2-pole standard motor.

- Enclosure class : IP 55
- Insulation class : F
- Ambient temperature : Max. + 50°C
- Supply voltage 50 Hz: 3X220-240/380-415V
- Supply voltage 60 Hz: 3X220-255/380-440V
3X220-277/380-480V

Mechanical Seals

Made of Tungsten carbide / Tungsten carbide or Viton.

Type of Seal

_____ HUUU Standard _____

Mechanical seal is available in different material per customer's demand.

Type of Seal

Seal Type	CBK
Mechanical Seals	2 / 4 / 8 / 12
QQ	Optional
UU	●
O-rings	
E	Optional
V	●

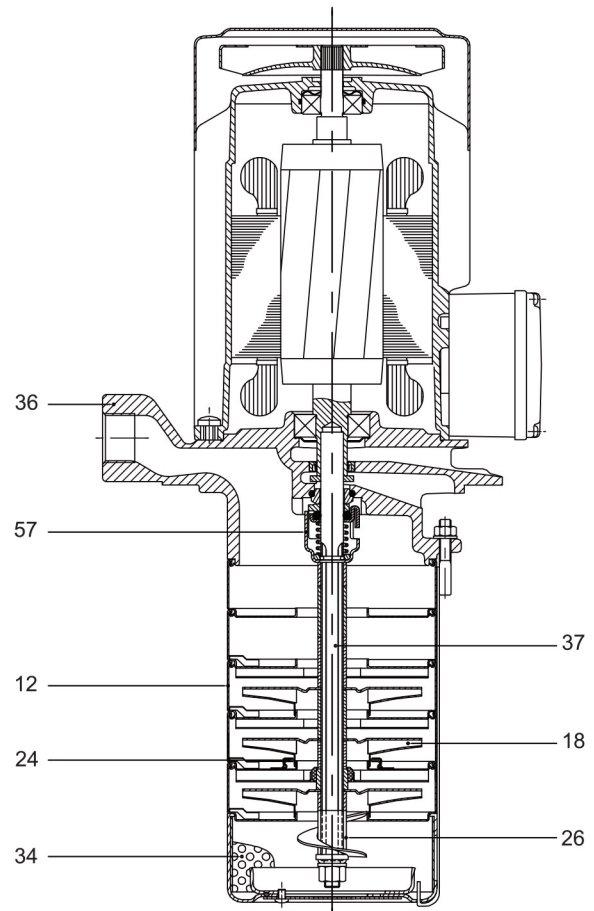
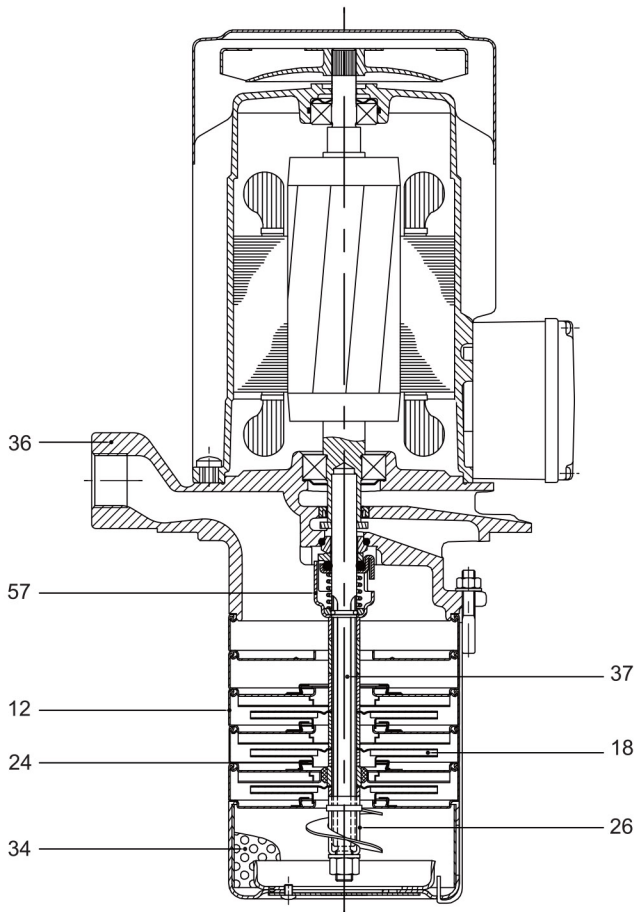
List of Materials

H : Seal Type
Q : Silicon carbide
U : Tungsten carbide
E : EPDM
V : Viton

Material

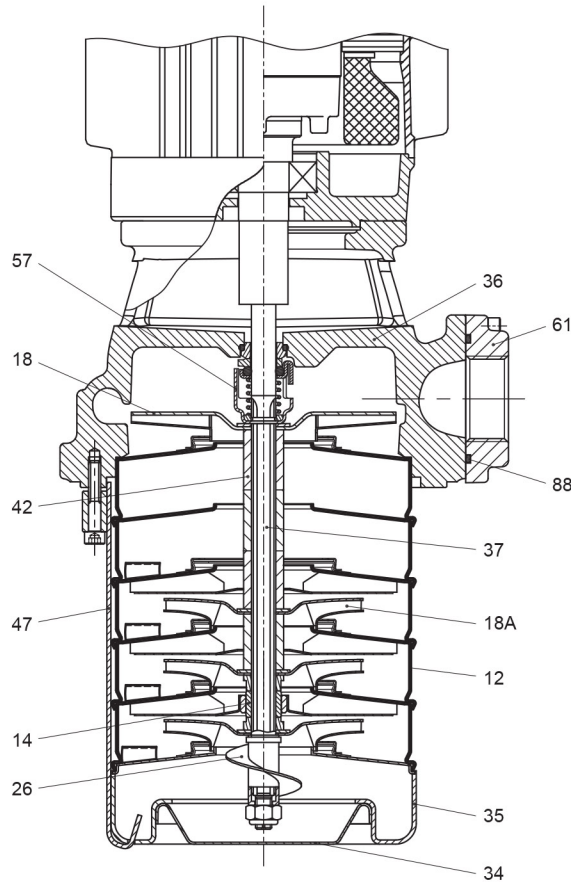
CBK 2

CBK 4



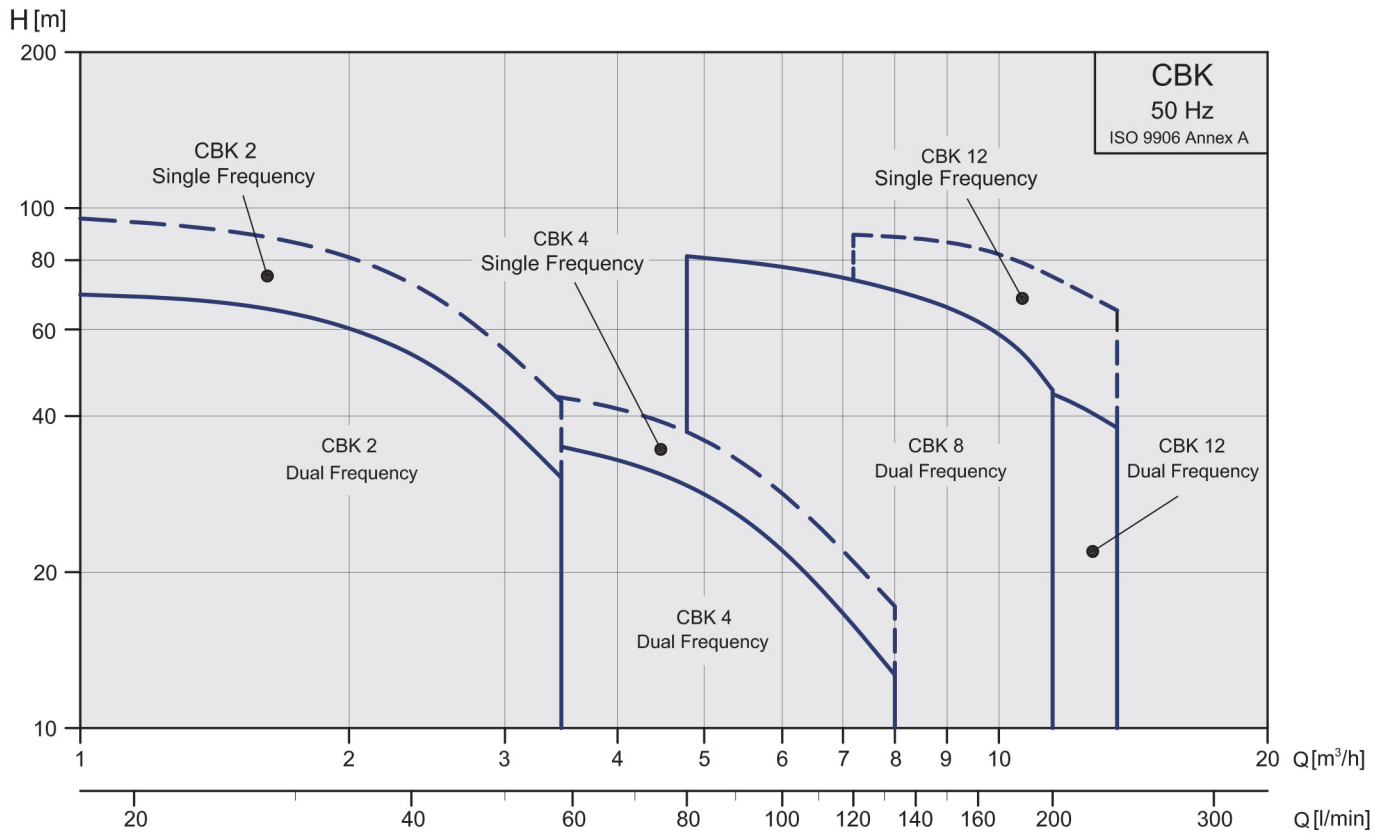
Pos.	Name	Material	Europe	AISI/ASTM
12	Chamber complete	Stainless steel	1.4301	AISI 304
18	Impeller	Stainless steel	1.4301	AISI 304
24	Neck ring	PTFE		
26	Priming screw	Stainless steel	1 4301	AISI 304
34	Strainer(internal)	Stainless steel	1.4301	AISI 304
36	Pump head	Cast Iron EN-GJL-200	0.6020	ASTM25B
37	Pump shaft	Stainless steel	1.4057	AISI 431
57	Shaft seal	HUUUV		

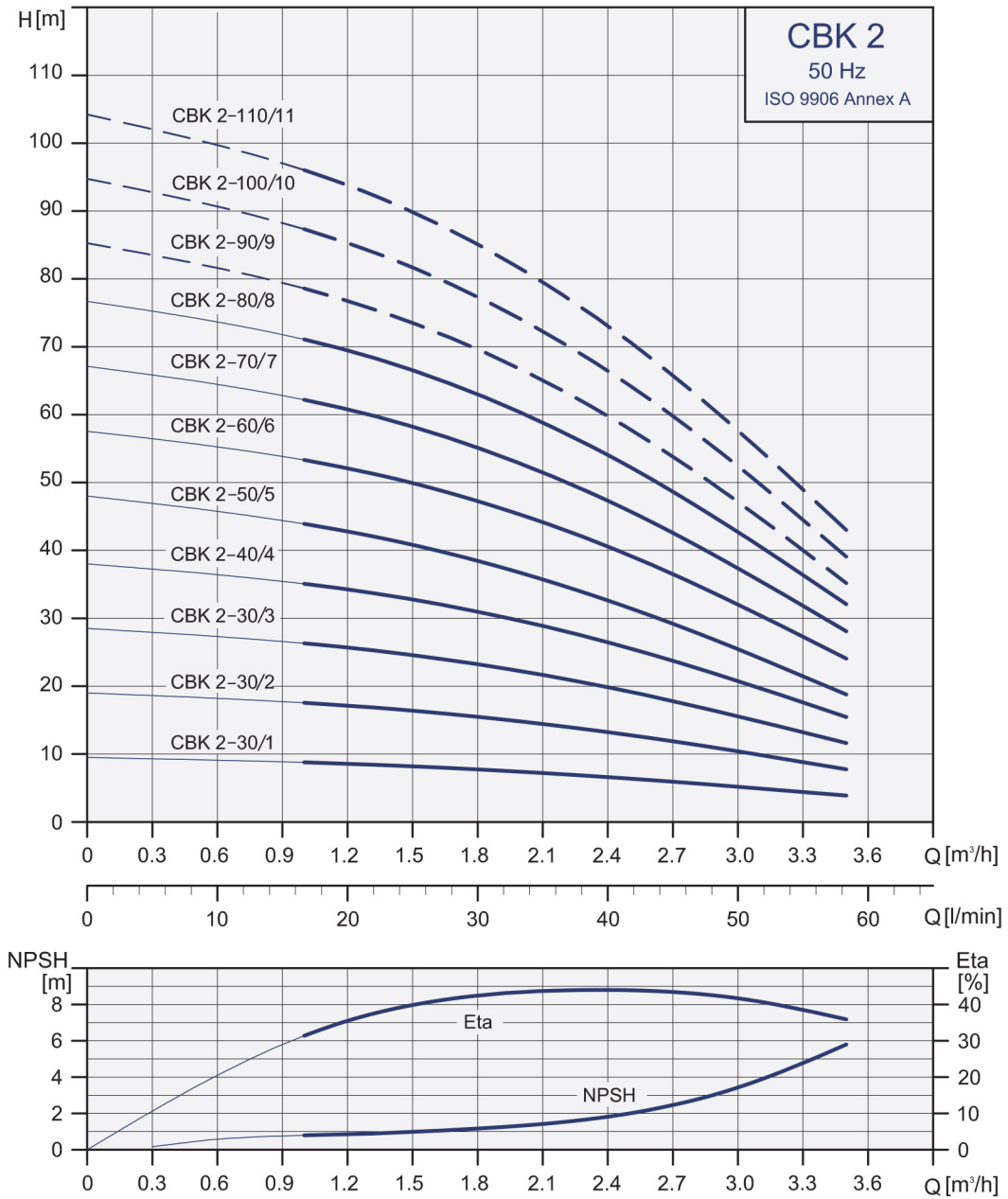
CBK 8,12



Pos.	Name	Material	Europe	AISI/ASTM
12	Chamber complete	Stainless steel	1.4301	AISI 304
14	Bearing	Silicon carbide		
18	Impeller	Stainless steel	1.4301	AISI 304
18A	Impeller	Stainless steel	1.4301	AISI 304
26	Priming screw	Stainless steel	1.4301	AISI 304
34	Strainer(internal)	Stainless steel	1 4301	AISI 304
35	Retainer for strainer	Stainless steel	1.4301	AISI 304
36	Pump head	EN-GJL-200	0.6020	ASTM 25B
37	Pump shaft	Stainless steel	1 4057	AISI 431
42	Spacing pipe	Stainless steel	1 4301	AISI 304
47	Strap	Stainless steel	1.4301	AISI 304
57	Shaft seal	HUUV		
61	Flange	EN-GJL-200	0 6020	ASTM 25B
88	O-ring	FKM		

Performance Range CBK 2,4,8,12





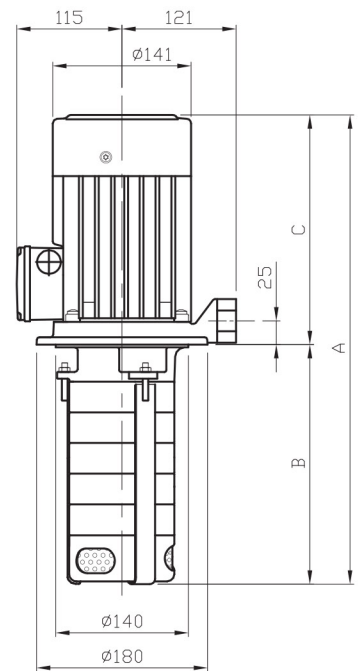
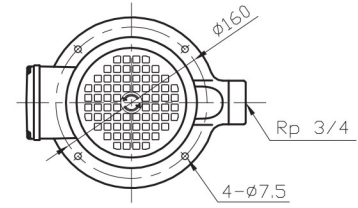
* --- Single Frequency
 — Dual Frequency

Technical data

Dimensions and weights CBK 2

Dual Frequency 3PH 220-240/380-415V

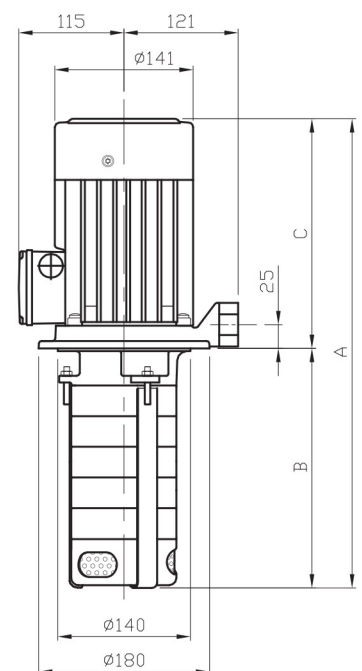
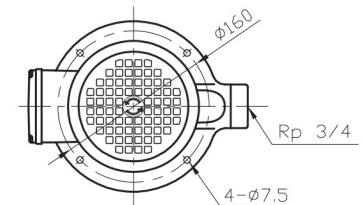
PUMP TPYE	Motor P1 [W]	In [A] 220-240 / 380-415V	Dimension (mm)			N.W (KG)
			A	B	C	
CBK-2-30/1	260	1.6-1.9 / 0.9-1.1	346	142	204	11.7
CBK-2-30/2	380	1.7-2.1 / 1.0-1.2	346	142	204	11.8
CBK-2-30/3	590	2.4-3.1 / 1.4-1.8	346	142	204	11.9
CBK-2-40/1	260	1.6-1.9 / 0.9-1.1	364	160	204	11.8
CBK-2-40/2	380	1.7-2.1 / 1.0-1.2	364	160	204	11.9
CBK-2-40/3	590	2.4-3.1 / 1.4-1.8	364	160	204	12.1
CBK-2-40/4	630	2.6-3.3 / 1.5-1.9	364	160	204	12.1
CBK-2-50/1	260	1.6-1.9 / 0.9-1.1	382	178	204	12.0
CBK-2-50/2	380	1.7-2.1 / 1.0-1.2	382	178	204	12.1
CBK-2-50/3	590	2.4-3.1 / 1.4-1.8	382	178	204	12.3
CBK-2-50/4	630	2.6-3.3 / 1.5-1.9	382	178	204	12.3
CBK-2-50/5	860	3.3-3.6 / 1.9-2.1	422	178	244	13.7
CBK-2-60/1	260	1.6-1.9 / 0.9-1.1	400	196	204	12.2
CBK-2-60/2	380	1.7-2.1 / 1.0-1.2	400	196	204	12.2
CBK-2-60/3	590	2.4-3.1 / 1.4-1.8	400	196	204	12.5
CBK-2-60/4	630	2.6-3.3 / 1.5-1.9	400	196	204	12.5
CBK-2-60/5	860	3.3-3.6 / 1.9-2.1	440	196	244	14.0
CBK-2-60/6	910	3.5-3.8 / 2.0-2.2	440	196	244	14.0
CBK-2-70/1	260	1.6-1.9 / 0.9-1.1	418	214	204	12.4
CBK-2-70/2	380	1.7-2.1 / 1.0-1.2	418	214	204	12.4
CBK-2-70/3	590	2.4-3.1 / 1.4-1.8	418	214	204	12.6
CBK-2-70/4	630	2.6-3.3 / 1.5-1.9	418	214	204	12.7
CBK-2-70/5	860	3.3-3.6 / 1.9-2.1	458	214	244	14.2
CBK-2-70/6	910	3.5-3.8 / 2.0-2.2	458	214	244	14.3
CBK-2-70/7	1040	4.3-5.0 / 2.5-2.9	458	214	244	15.4
CBK-2-80/1	260	1.6-1.9 / 0.9-1.1	436	232	204	12.4
CBK-2-80/2	380	1.7-2.1 / 1.0-1.2	436	232	204	12.6
CBK-2-80/3	590	2.4-3.1 / 1.4-1.8	436	232	204	12.8
CBK-2-80/4	630	2.6-3.3 / 1.5-1.9	436	232	204	13.0
CBK-2-80/5	860	3.3-3.6 / 1.9-2.1	476	232	244	14.4
CBK-2-80/6	910	3.5-3.8 / 2.0-2.2	476	232	244	14.5
CBK-2-80/7	1040	4.3-5.0 / 2.5-2.9	476	232	244	15.7
CBK-2-80/8	1230	4.7-5.4 / 2.7-3.1	476	232	244	15.7



Dimensions and weights CBK 2

Dual Frequency 3PH 220-240/380-415V

PUMP TPYE	Motor P1 [W]	In [A] 220-240 / 380-415V	Dimension (mm)			N.W (KG)
			A	B	C	
CBK-2-90/1	260	1.6-1.9 / 0.9-1.1	454	250	204	12.7
CBK-2-90/2	380	1.7-2.1 / 1.0-1.2	454	250	204	12.8
CBK-2-90/3	590	2.4-3.1 / 1.4-1.8	454	250	204	13.0
CBK-2-90/4	630	2.6-3.3 / 1.5-1.9	454	250	204	13.0
CBK-2-90/5	860	3.3-3.6 / 1.9-2.1	494	250	244	14.5
CBK-2-90/6	910	3.5-3.8 / 2.0-2.2	494	250	244	14.8
CBK-2-90/7	1040	4.3-5.0 / 2.5-2.9	494	250	244	15.9
CBK-2-90/8	1230	4.7-5.4 / 2.7-3.1	494	250	244	16.0
CBK-2-100/1	260	1.6-1.9 / 0.9-1.1	472	268	204	12.9
CBK-2-100/2	380	1.7-2.1 / 1.0-1.2	472	268	204	13.0
CBK-2-100/3	590	2.4-3.1 / 1.4-1.8	472	268	204	13.2
CBK-2-100/4	630	2.6-3.3 / 1.5-1.9	472	268	204	13.4
CBK-2-100/5	860	3.3-3.6 / 1.9-2.1	512	268	244	14.8
CBK-2-100/6	910	3.5-3.8 / 2.0-2.2	512	268	244	14.8
CBK-2-100/7	1040	4.3-5.0 / 2.5-2.9	512	268	244	16.1
CBK-2-100/8	1230	4.7-5.4 / 2.7-3.1	512	268	244	16.1
CBK-2-110/1	260	1.6-1.9 / 0.9-1.1	490	286	204	13.0
CBK-2-110/2	380	1.7-2.1 / 1.0-1.2	490	286	204	13.2
CBK-2-110/3	590	2.4-3.1 / 1.4-1.8	490	286	204	13.4
CBK-2-110/4	630	2.6-3.3 / 1.5-1.9	490	286	204	13.5
CBK-2-110/5	860	3.3-3.6 / 1.9-2.1	530	286	244	14.8
CBK-2-110/6	910	3.5-3.8 / 2.0-2.2	530	286	244	15.0
CBK-2-110/7	1040	4.3-5.0 / 2.5-2.9	530	286	244	16.3
CBK-2-110/8	1230	4.7-5.4 / 2.7-3.1	530	286	244	16.3

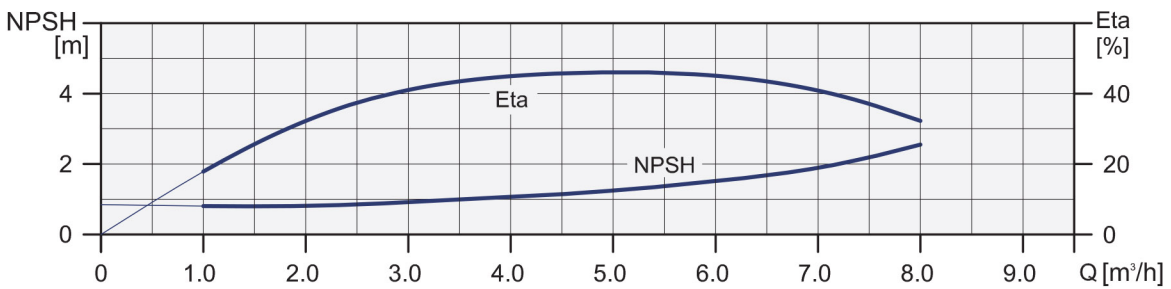
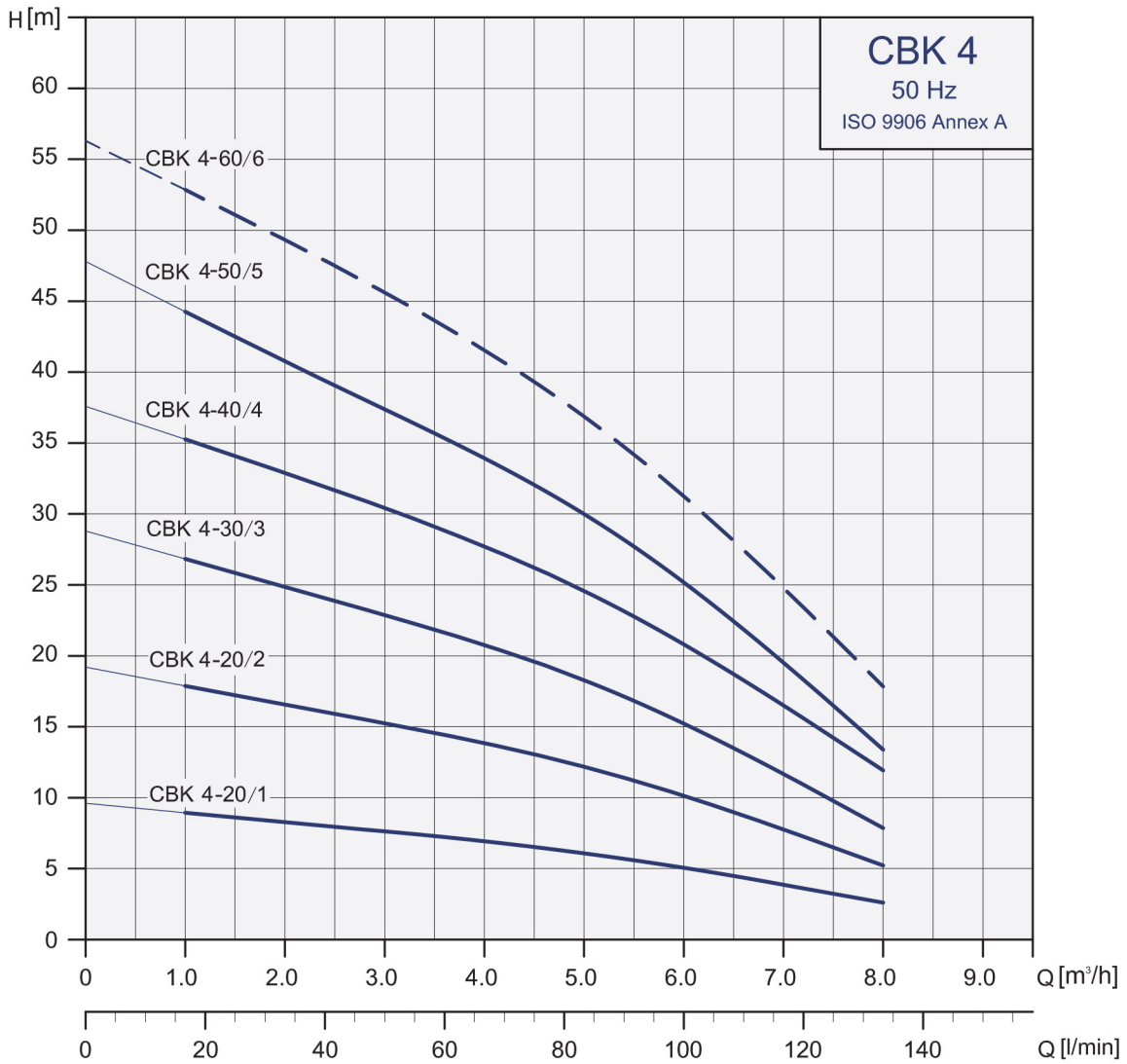


Single Frequency 3PH 220-240/380-415V

PUMP TPYE	Motor P1 [W]	In [A] 220-240 / 380-415V	Dimension (mm)			N.W (KG)
			A	B	C	
CBK-2-90/9	1210	4.1-4.6 / 2.4-2.7	494	250	244	14.8
CBK-2-100/9	1210	4.1-4.6 / 2.4-2.7	512	268	244	15.0
CBK-2-100/10	1390	4.9-5.7 / 2.8-3.3	512	268	244	16.3
CBK-2-110/9	1210	4.1-4.6 / 2.4-2.7	530	286	244	15.2
CBK-2-110/10	1390	4.9-5.7 / 2.8-3.3	530	286	244	16.6
CBK-2-110/11	1520	5.4-6.0 / 3.1-3.5	530	286	244	16.7

Technical data

Performance curves CBK 4



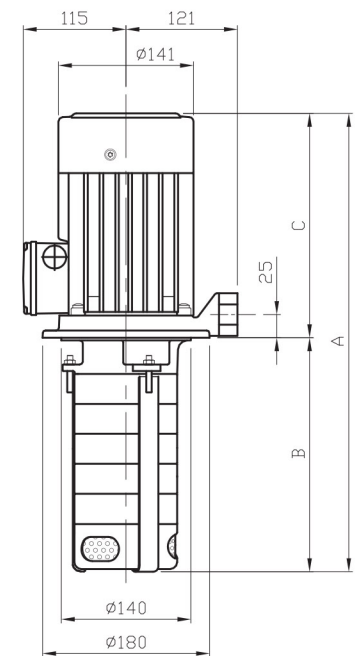
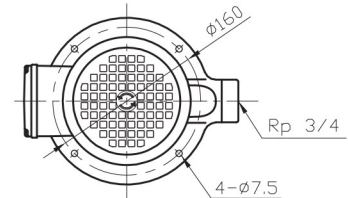
* Single Frequency
 Dual Frequency

Technical data

Dimensions and weights CBK 4

Dual Frequency 3PH 220-240/380-415V

PUMP TPYE	Motor P1 [W]	In [A] 220-240 / 380-415V	Dimension (mm)			N.W (KG)
			A	B	C	
CBK-4-20/1	370	1.7-1.9 / 1.0-1.1	346	142	204	11.5
CBK-4-20/2	630	2.6-3.1 / 1.5-1.8	346	142	204	11.6
CBK-4-30/1	370	1.7-1.9 / 1.0-1.1	373	169	204	11.7
CBK-4-30/2	630	2.6-3.1 / 1.5-1.8	373	169	204	11.9
CBK-4-30/3	820	3.1-3.6 / 1.8-2.1	413	169	244	13.4
CBK-4-40/1	370	1.7-1.9 / 1.0-1.1	400	196	204	12.0
CBK-4-40/2	630	2.6-3.1 / 1.5-1.8	400	196	204	12.1
CBK-4-40/3	820	3.1-3.6 / 1.8-2.1	440	196	244	13.7
CBK-4-40/4	1090	4.3-5.0 / 2.5-2.9	440	196	244	14.9
CBK-4-50/1	370	1.7-1.9 / 1.0-1.1	427	223	204	12.1
CBK-4-50/2	630	2.6-3.1 / 1.5-1.8	427	223	204	12.3
CBK-4-50/3	820	3.1-3.6 / 1.8-2.1	467	223	244	14.0
CBK-4-50/4	1090	4.3-5.0 / 2.5-2.9	467	223	244	15.1
CBK-4-50/5	1300	4.6-5.3 / 2.7-3.1	467	223	244	15.2
CBK-4-60/1	370	1.7-1.9 / 1.0-1.1	454	250	204	12.4
CBK-4-60/2	630	2.6-3.1 / 1.5-1.8	454	250	204	12.5
CBK-4-60/3	820	3.1-3.6 / 1.8-2.1	494	250	244	14.1
CBK-4-60/4	1090	4.3-5.0 / 2.5-2.9	494	250	244	15.3
CBK-4-60/5	1300	4.6-5.3 / 2.7-3.1	494	250	244	15.5
CBK-4-70/1	370	1.7-1.9 / 1.0-1.1	481	277	204	12.5
CBK-4-70/2	630	2.6-3.1 / 1.5-1.8	481	277	204	12.6
CBK-4-70/3	820	3.1-3.6 / 1.8-2.1	521	277	244	14.2
CBK-4-70/4	1090	4.3-5.0 / 2.5-2.9	521	277	244	15.5
CBK-4-70/5	1300	4.6-5.3 / 2.7-3.1	521	277	244	15.6
CBK-4-80/1	370	1.7-1.9 / 1.0-1.1	508	304	204	12.7
CBK-4-80/2	630	2.6-3.1 / 1.5-1.8	508	304	204	12.9
CBK-4-80/3	820	3.1-3.6 / 1.8-2.1	548	304	244	14.5
CBK-4-80/4	1090	4.3-5.0 / 2.5-2.9	548	304	244	15.7
CBK-4-80/5	1300	4.6-5.3 / 2.7-3.1	548	304	244	15.9

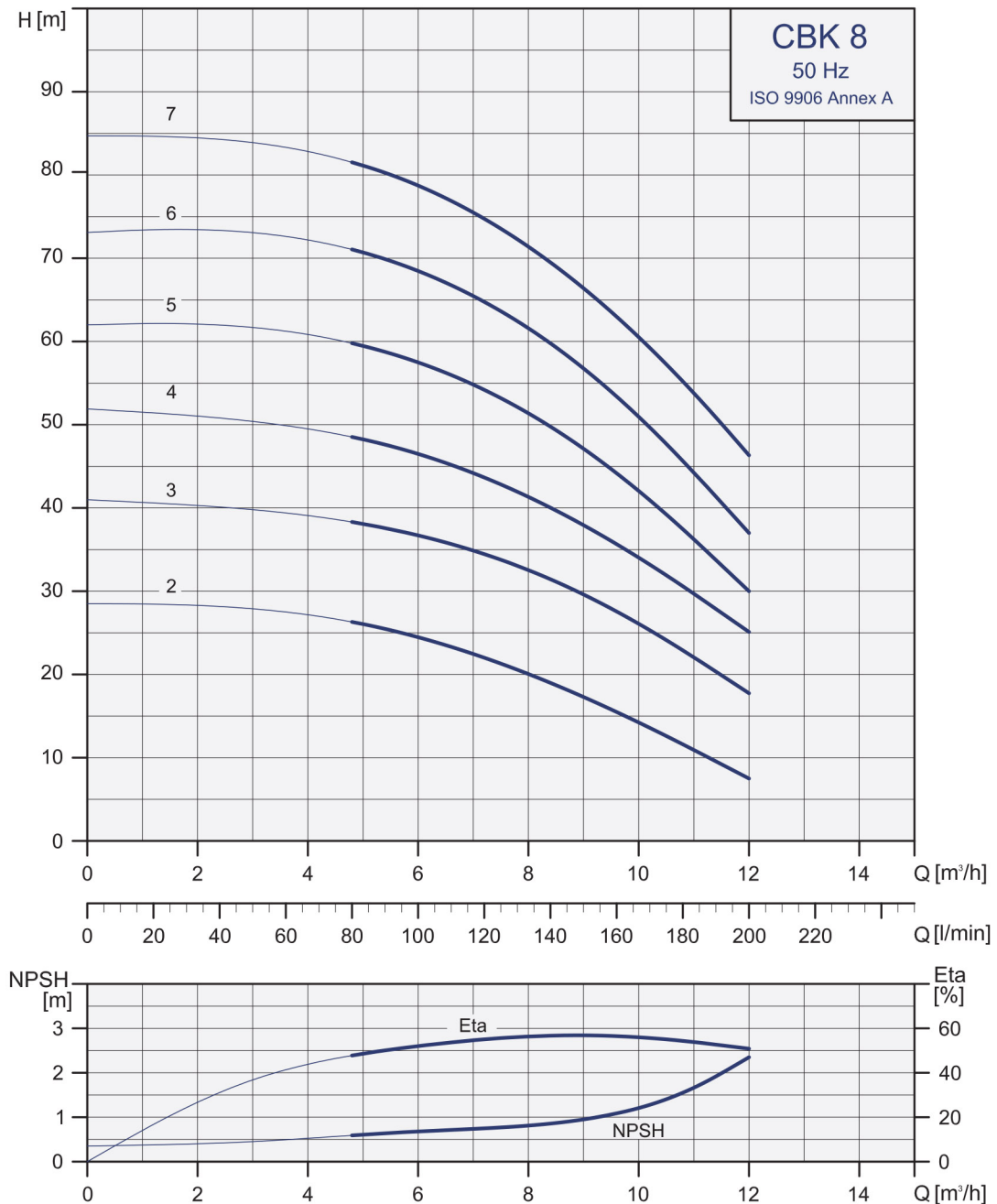


Single Frequency 3PH 220-240/380-415V

PUMP TPYE	Motor P1 [W]	In [A] 220-240 / 380-415V	Dimension (mm)			N.W (KG)
			A	B	C	
CBK-4-60/6	1530	5.5-5.9 / 3.2-3.4	494	250	244	15.6
CBK-4-70/6	1530	5.5-5.9 / 3.2-3.4	521	277	244	15.8
CBK-4-80/6	1530	5.5-5.9 / 3.2-3.4	548	304	244	16.1

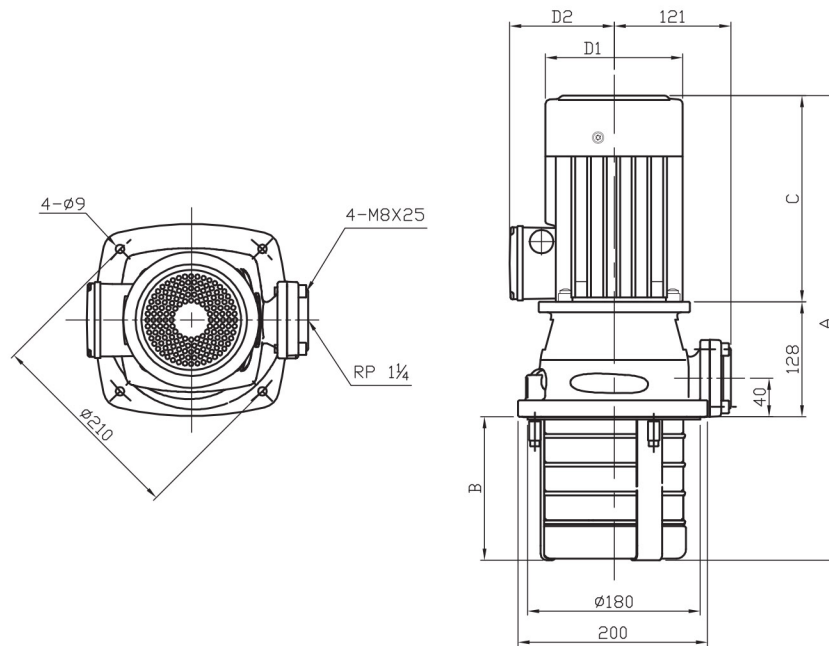
Technical data

Performance curves CBK 8



* — Dual Frequency

Dimensions and weights CBK 8



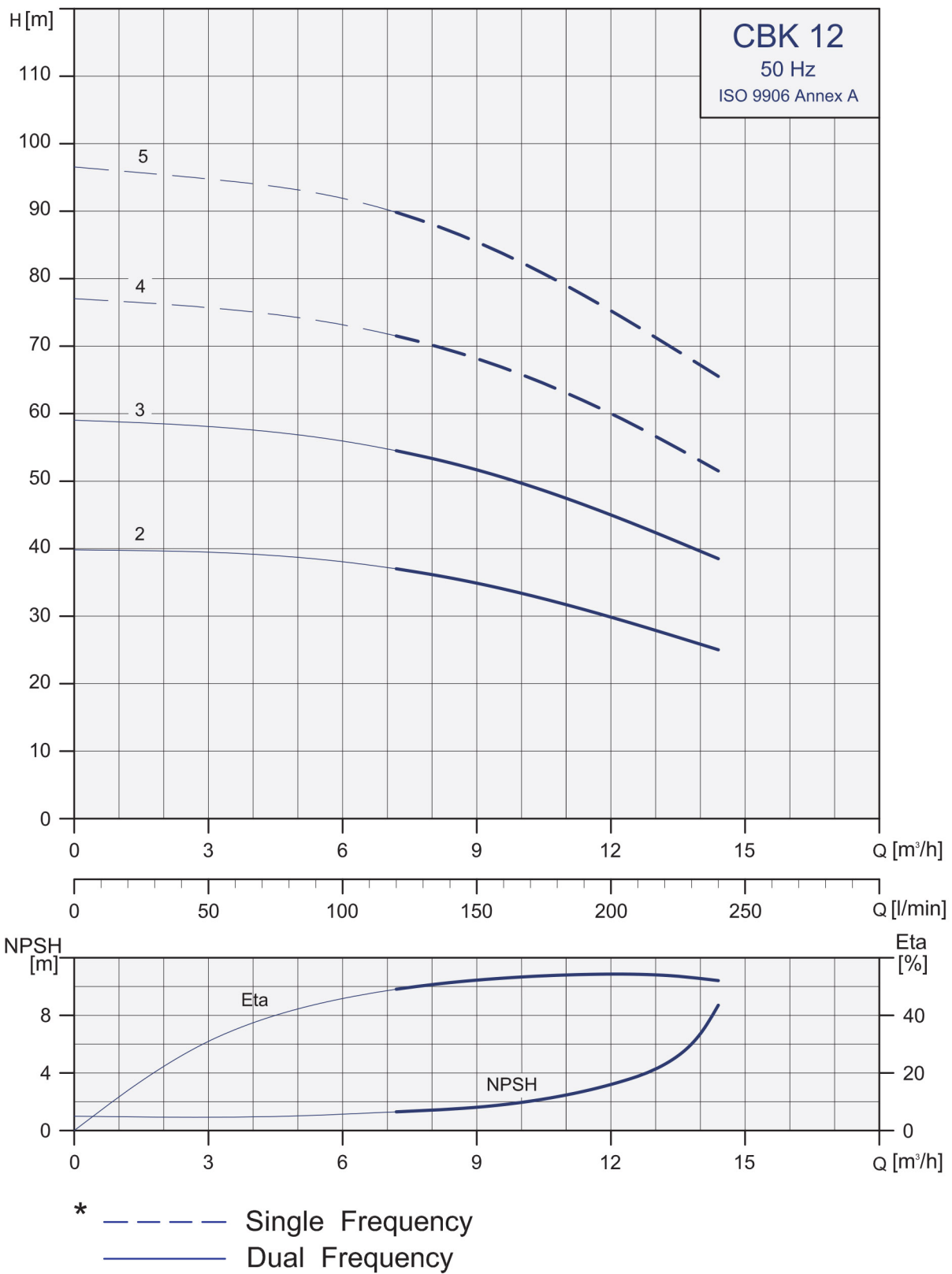
Dual Frequency

3PH 220-240/380-415V

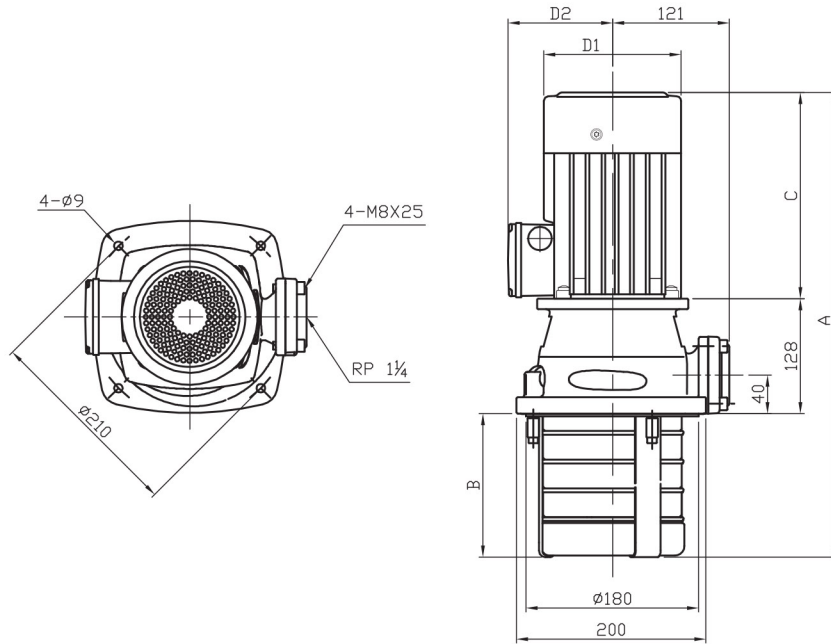
PUMP TYPE	Motor P1 [W]	In [A] 220-240 / 380-415V	Dimension (mm)					N.W (KG)
			A	B	C	D1	D2	
CBK-8-20/2	1114	4.1-4.8 / 2.4-2.8	423	60	235	141	115	19.3
CBK-8-30/2	1114	4.1-4.8 / 2.4-2.8	453	90	235	141	115	19.4
CBK-8-30/3	1648	5.4-6.2 / 3.2-3.6	509	90	291	177	141	28.5
CBK-8-40/2	1114	4.1-4.8 / 2.4-2.8	483	120	235	141	115	20.1
CBK-8-40/3	1648	5.4-6.2 / 3.2-3.6	539	120	291	177	141	28.9
CBK-8-40/4	2105	7.0-7.9 / 4.0-4.6	539	120	291	177	141	31.3
CBK-8-50/2	1114	4.1-4.8 / 2.4-2.8	513	150	235	141	115	20.5
CBK-8-50/3	1648	5.4-6.2 / 3.2-3.6	569	150	291	177	141	29.2
CBK-8-50/4	2105	7.0-7.9 / 4.0-4.6	569	150	291	177	141	31.7
CBK-8-50/5	2638	10.8-11.8 / 6.3-7.0	594	150	316	197	147	37.7
CBK-8-60/2	1114	4.1-4.8 / 2.4-2.8	543	180	235	141	115	20.8
CBK-8-60/3	1648	5.4-6.2 / 3.2-3.6	599	180	291	177	141	29.6
CBK-8-60/4	2105	7.0-7.9 / 4.0-4.6	599	180	291	177	141	32.0
CBK-8-60/5	2638	10.8-11.8 / 6.3-7.0	624	180	316	197	147	37.4
CBK-8-60/6	3095	9.2-11.1 / 5.3-6.5	634	180	326	200	161	43.9
CBK-8-70/2	1114	4.1-4.8 / 2.4-2.8	573	210	235	141	115	21.6
CBK-8-70/3	1648	5.4-6.2 / 3.2-3.6	629	210	291	177	141	29.9
CBK-8-70/4	2105	7.0-7.9 / 4.0-4.6	629	210	291	177	141	32.4
CBK-8-70/5	2638	10.8-11.8 / 6.3-7.0	654	210	316	197	147	37.7
CBK-8-70/6	3095	9.2-11.1 / 5.3-6.5	664	210	326	200	161	44.3
CBK-8-70/7	3429	10.4-11.5 / 6.0-6.7	664	210	326	200	161	44.7

Technical data

Performance curves CBK 12



Dimensions and weights CBK 12



Dual Frequency

3PH 220-240/380-415V

PUMP TPYE	Motor P1 [W]	In [A] 220-240 / 380-415V	Dimension (mm)					N.W (KG)
			A	B	C	D1	D2	
CBK-12-20/2	2410	8.9-10.7 / 5.2-6.2	504	60	316	197	147	34.8
CBK-12-30/2	2410	8.9-10.7 / 5.2-6.2	534	90	316	197	147	35.2
CBK-12-30/3	3600	11.0-12.2 / 6.4-7.1	544	90	326	220	161	41.7
CBK-12-40/2	2410	8.9-10.7 / 5.2-6.2	564	120	316	197	147	35.5
CBK-12-40/3	3600	11.0-12.2 / 6.4-7.1	574	120	326	220	161	42.1
CBK-12-50/2	2410	8.9-10.7 / 5.2-6.2	594	150	316	197	147	35.9
CBK-12-50/3	3600	11.0-12.2 / 6.4-7.1	604	150	326	220	161	42.4
CBK-12-60/2	2410	8.9-10.7 / 5.2-6.2	624	180	316	197	147	36.2
CBK-12-60/3	3600	11.0-12.2 / 6.4-7.1	634	180	326	220	161	42.8
CBK-12-70/2	2410	8.9-10.7 / 5.2-6.2	654	210	316	197	147	36.6
CBK-12-70/3	3600	11.0-12.2 / 6.4-7.1	664	210	326	220	161	43.1

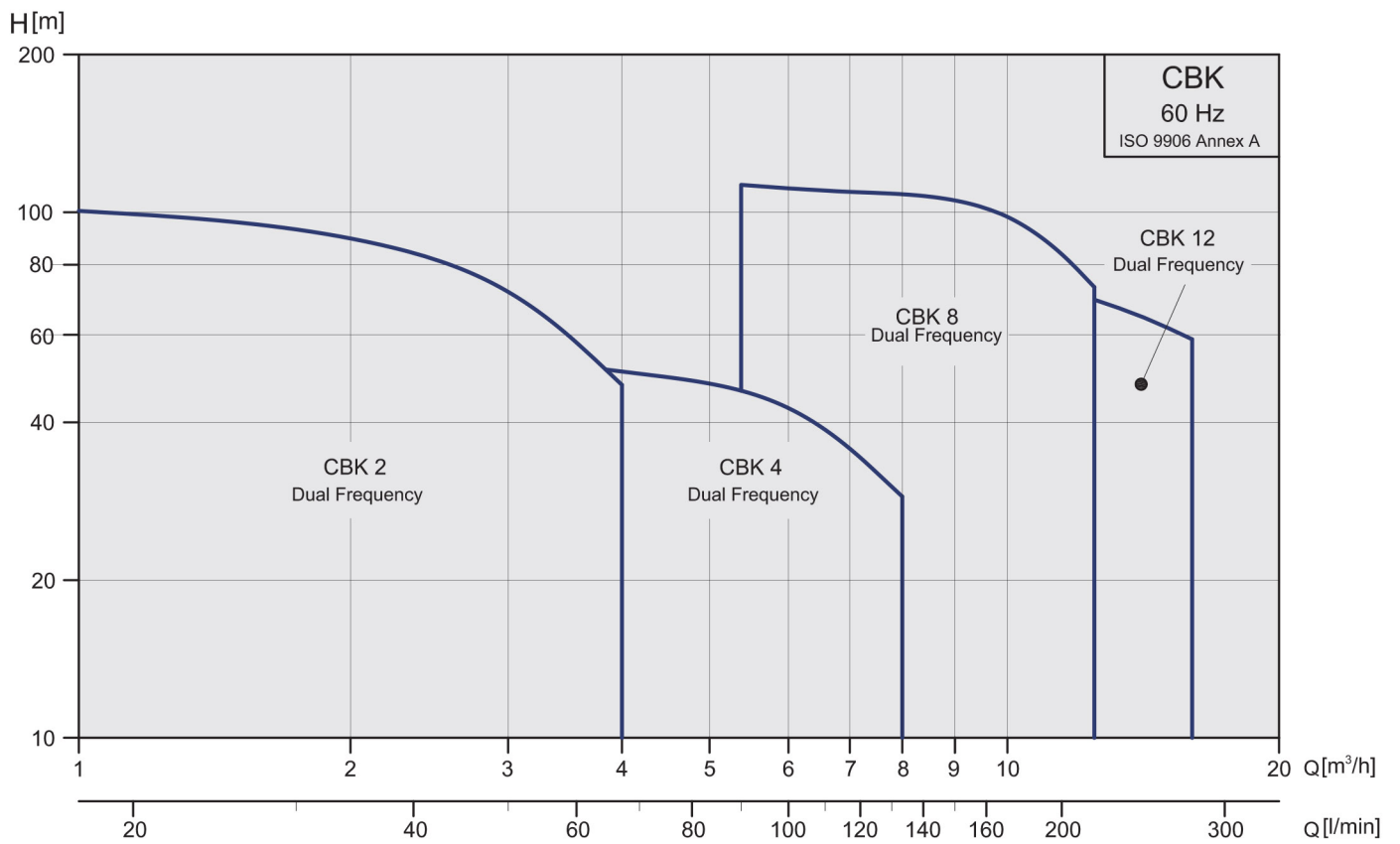
Single Frequency

3PH 220-240/380-415V

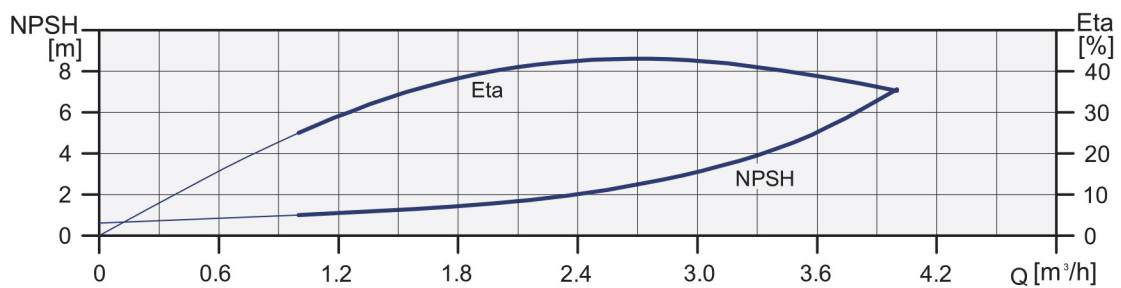
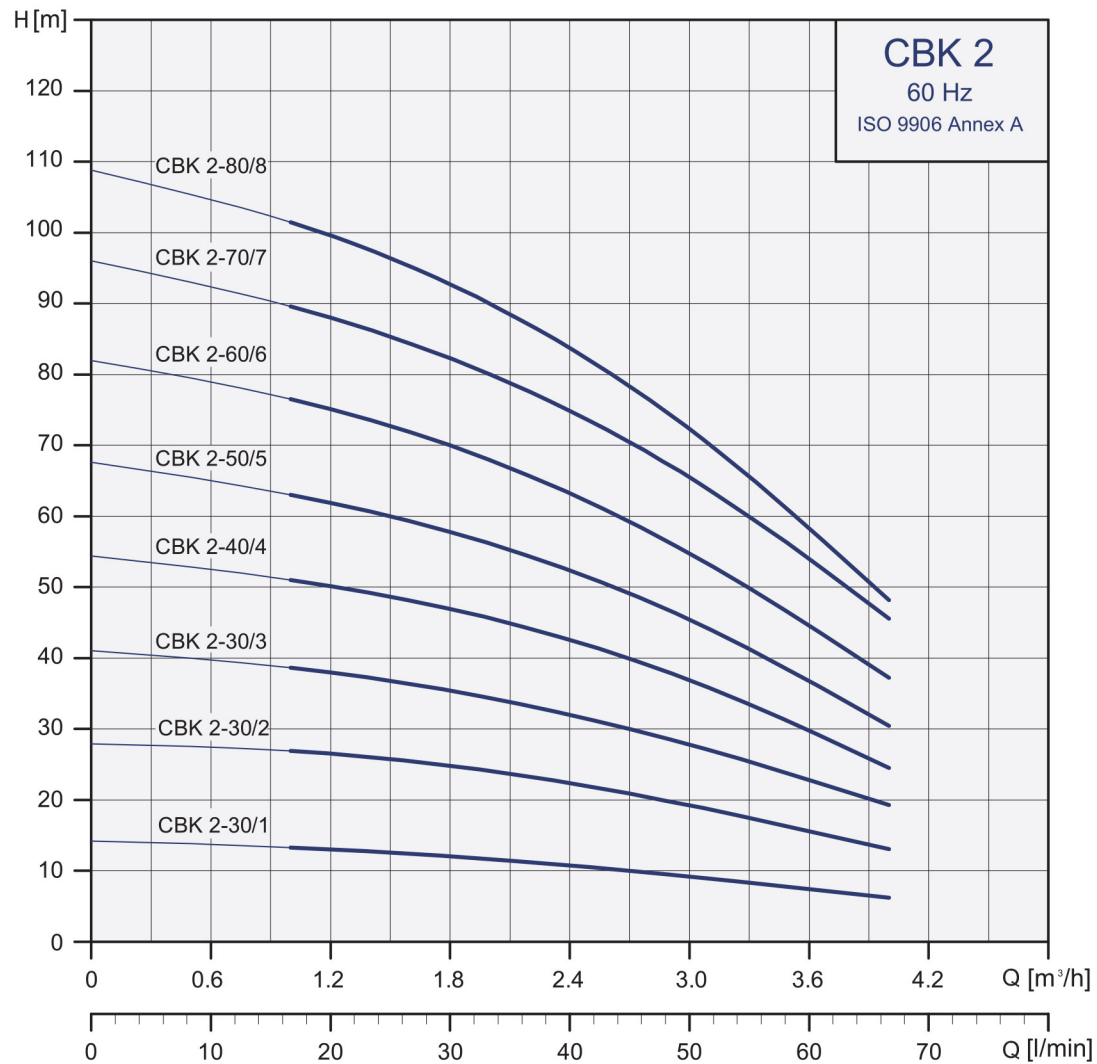
PUMP TPYE	Motor P1 [W]	In [A] 220-240 / 380-415V	Dimension (mm)					N.W (KG)
			A	B	C	D1	D2	
CBK-12-40/4	4571	13.4-13.8 / 7.7-8.0	574	120	326	220	161	43.4
CBK-12-50/4	4571	13.4-13.8 / 7.7-8.0	604	150	326	220	161	43.9
CBK-12-50/5	5667	15.5-15.9 / 9.0-9.2	604	150	326	220	161	44.7
CBK-12-60/4	4571	13.4-13.8 / 7.7-8.0	634	180	326	220	161	44.5
CBK-12-60/5	5667	15.5-15.9 / 9.0-9.2	634	180	326	220	161	45.2
CBK-12-70/4	4571	13.4-13.8 / 7.7-8.0	664	210	326	220	161	45.0
CBK-12-70/5	5667	15.5-15.9 / 9.0-9.2	664	210	326	220	161	45.7



Performance Range CBK 2,4,8,12



Performance curves CBK 2 (Dual Frequency)

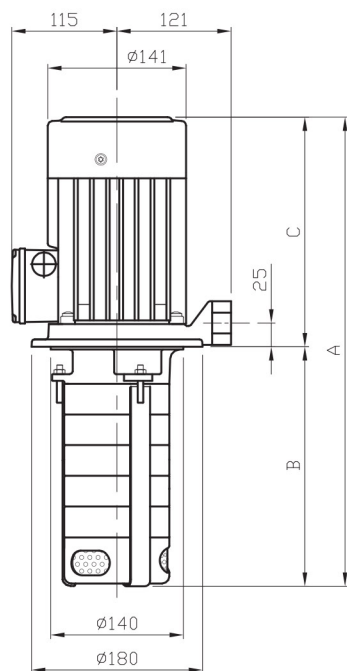
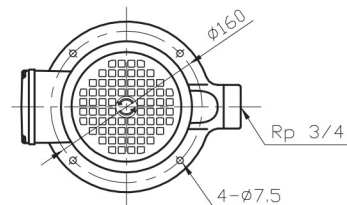


Technical data

Dimensions and weights CBK 2

Dual Frequency 3PH 220-255/380-440V

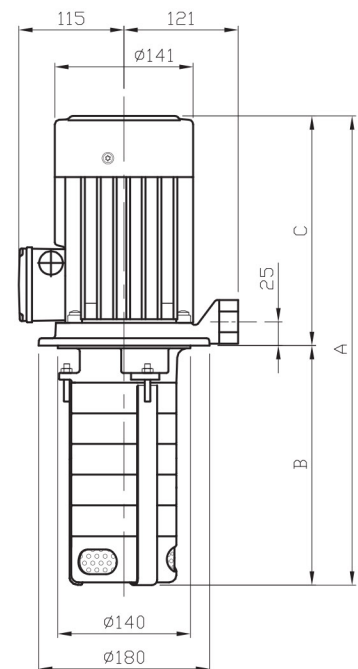
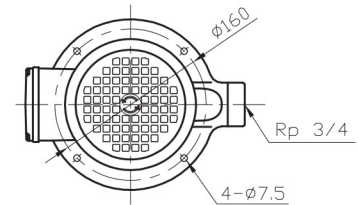
PUMP TPYE	Motor P1 [W]	In [A] 220-255 / 380-440V	Dimension (mm)			N.W (KG)
			A	B	C	
CBK-2-30/1	340	1.4-1.6 / 0.8-0.9	346	142	204	11.7
CBK-2-30/2	530	1.9-2.1 / 1.1-1.2	346	142	204	11.8
CBK-2-30/3	750	2.4-2.6 / 1.4-1.5	346	142	204	11.9
CBK-2-40/1	340	1.4-1.6 / 0.8-0.9	364	160	204	11.8
CBK-2-40/2	530	1.9-2.1 / 1.1-1.2	364	160	204	11.9
CBK-2-40/3	750	2.4-2.6 / 1.4-1.5	364	160	204	12.1
CBK-2-40/4	950	2.9-3.1 / 1.7-1.8	364	160	204	12.1
CBK-2-50/1	340	1.4-1.6 / 0.8-0.9	382	178	204	12.0
CBK-2-50/2	530	1.9-2.1 / 1.1-1.2	382	178	204	12.1
CBK-2-50/3	750	2.4-2.6 / 1.4-1.5	382	178	204	12.3
CBK-2-50/4	950	2.9-3.1 / 1.7-1.8	382	178	204	12.3
CBK-2-50/5	1280	3.8-4.0 / 2.2-2.3	422	178	244	13.7
CBK-2-60/1	340	1.4-1.6 / 0.8-0.9	400	196	204	12.2
CBK-2-60/2	530	1.9-2.1 / 1.1-1.2	400	196	204	12.2
CBK-2-60/3	750	2.4-2.6 / 1.4-1.5	400	196	204	12.5
CBK-2-60/4	950	2.9-3.1 / 1.7-1.8	400	196	204	12.5
CBK-2-60/5	1280	3.8-4.0 / 2.2-2.3	440	196	244	14.0
CBK-2-60/6	1340	4.0-4.2 / 2.3-2.4	440	196	244	14.0
CBK-2-70/1	340	1.4-1.6 / 0.8-0.9	418	214	204	12.4
CBK-2-70/2	530	1.9-2.1 / 1.1-1.2	418	214	204	12.4
CBK-2-70/3	750	2.4-2.6 / 1.4-1.5	418	214	204	12.6
CBK-2-70/4	950	2.9-3.1 / 1.7-1.8	418	214	204	12.7
CBK-2-70/5	1280	3.8-4.0 / 2.2-2.3	458	214	244	14.2
CBK-2-70/6	1340	4.0-4.2 / 2.3-2.4	458	214	244	14.3
CBK-2-70/7	1750	5.4-5.6 / 3.1-3.2	458	214	244	15.4
CBK-2-80/1	340	1.4-1.6 / 0.8-0.9	436	232	204	12.4
CBK-2-80/2	530	1.9-2.1 / 1.1-1.2	436	232	204	12.6
CBK-2-80/3	750	2.4-2.6 / 1.4-1.5	436	232	204	12.8
CBK-2-80/4	950	2.9-3.1 / 1.7-1.8	436	232	204	13.0
CBK-2-80/5	1280	3.8-4.0 / 2.2-2.3	476	232	244	14.4
CBK-2-80/6	1340	4.0-4.2 / 2.3-2.4	476	232	244	14.5
CBK-2-80/7	1750	5.4-5.6 / 3.1-3.2	476	232	244	15.7
CBK-2-80/8	1820	5.6-5.7 / 3.2-3.3	476	232	244	15.7



Dimensions and weights CBK 2

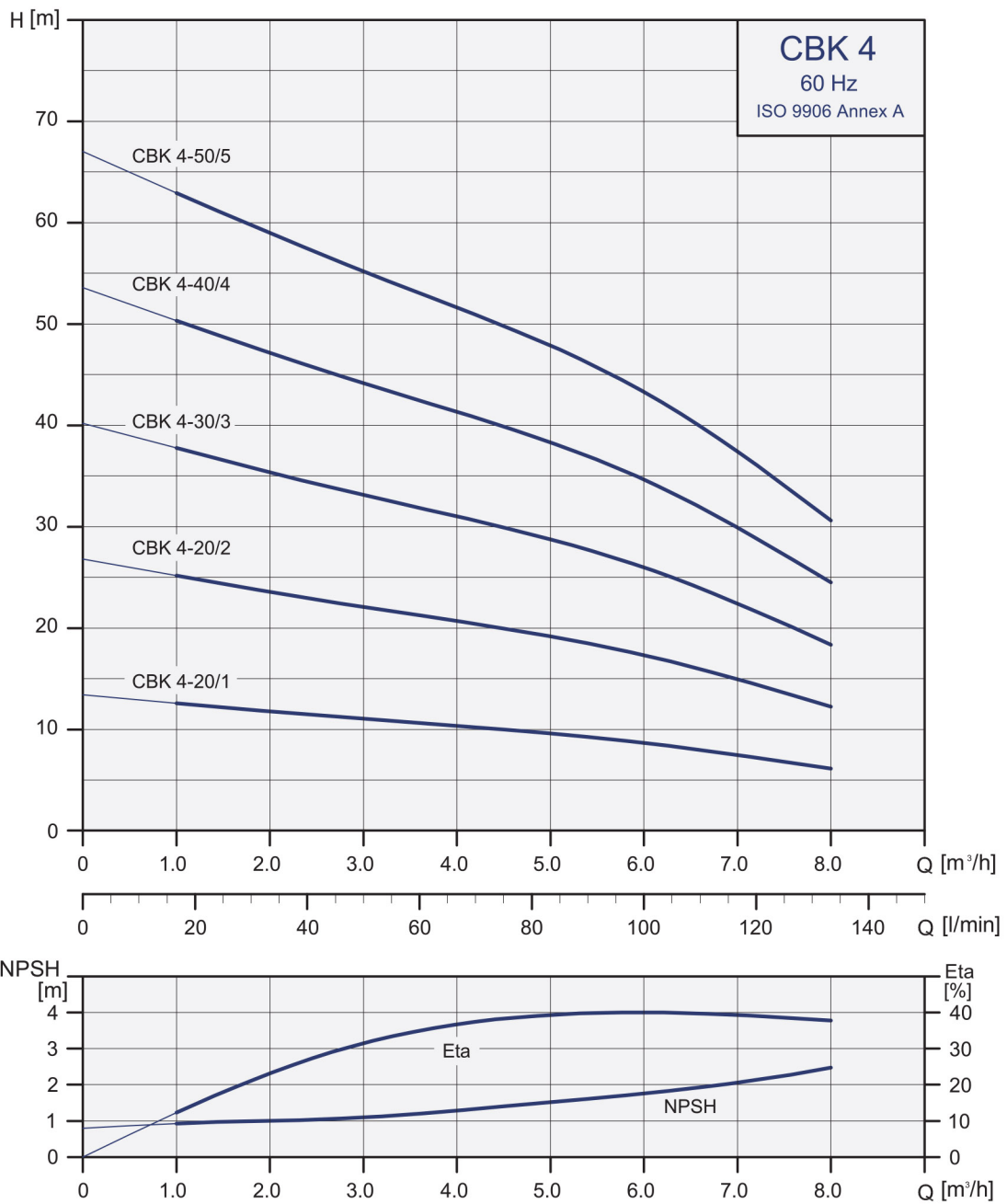
Dual Frequency 3PH 220-255/380-440V

PUMP TYPE	Motor P1 [W]	In [A] 220-255 / 380-440V	Dimension (mm)			N.W (KG)
			A	B	C	
CBK-2-90/1	340	1.4-1.6 / 0.8-0.9	454	250	204	12.7
CBK-2-90/2	530	1.9-2.1 / 1.1-1.2	454	250	204	12.8
CBK-2-90/3	750	2.4-2.6 / 1.4-1.5	454	250	204	13.0
CBK-2-90/4	950	2.9-3.1 / 1.7-1.8	454	250	204	13.0
CBK-2-90/5	1280	3.8-4.0 / 2.2-2.3	494	250	244	14.5
CBK-2-90/6	1340	4.0-4.2 / 2.3-2.4	494	250	244	14.8
CBK-2-90/7	1750	5.4-5.6 / 3.1-3.2	494	250	244	15.9
CBK-2-90/8	1820	5.6-5.7 / 3.2-3.3	494	250	244	16.0
CBK-2-100/1	340	1.4-1.6 / 0.8-0.9	472	268	204	12.9
CBK-2-100/2	530	1.9-2.1 / 1.1-1.2	472	268	204	13.0
CBK-2-100/3	750	2.4-2.6 / 1.4-1.5	472	268	204	13.2
CBK-2-100/4	950	2.9-3.1 / 1.7-1.8	472	268	204	13.4
CBK-2-100/5	1280	3.8-4.0 / 2.2-2.3	512	268	244	14.8
CBK-2-100/6	1340	4.0-4.2 / 2.3-2.4	512	268	244	14.8
CBK-2-100/7	1750	5.4-5.6 / 3.1-3.2	512	268	244	16.1
CBK-2-100/8	1820	5.6-5.7 / 3.2-3.3	512	268	244	16.1
CBK-2-110/1	340	1.4-1.6 / 0.8-0.9	490	286	204	13.0
CBK-2-110/2	530	1.9-2.1 / 1.1-1.2	490	286	204	13.2
CBK-2-110/3	750	2.4-2.6 / 1.4-1.5	490	286	204	13.4
CBK-2-110/4	950	2.9-3.1 / 1.7-1.8	490	286	204	13.5
CBK-2-110/5	1280	3.8-4.0 / 2.2-2.3	530	286	244	14.8
CBK-2-110/6	1340	4.0-4.2 / 2.3-2.4	530	286	244	15.0
CBK-2-110/7	1750	5.4-5.6 / 3.1-3.2	530	286	244	16.3
CBK-2-110/8	1820	5.6-5.7 / 3.2-3.3	530	286	244	16.3



Technical data

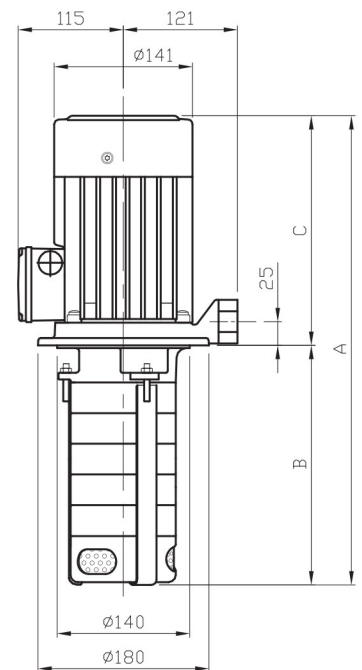
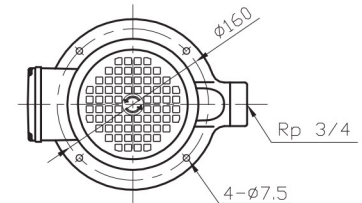
Performance curves CBK 4



Dimensions and weights CBK 4

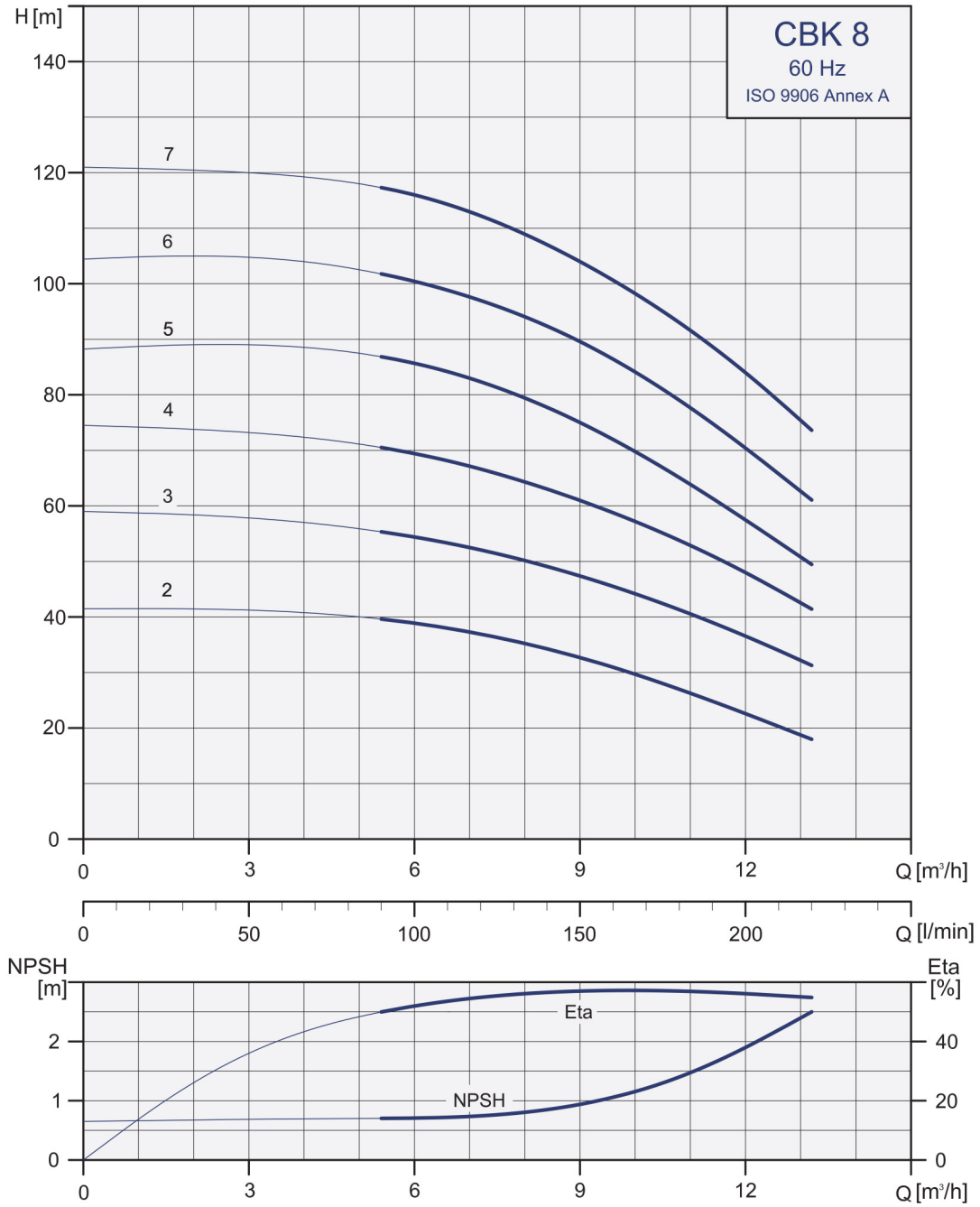
Dual Frequency 3PH 220-255/380-440V

PUMP TPYE	Motor P1 [W]	In [A] 220-255 / 380-440V	Dimension (mm)			N.W (KG)
			A	B	C	
CBK-4-20/1	520	1.7-1.9 / 1.0-1.1	346	142	204	11.5
CBK-4-20/2	905	2.9-3.1 / 1.7-1.8	346	142	204	11.6
CBK-4-30/1	520	1.7-1.9 / 1.0-1.1	373	169	204	11.7
CBK-4-30/2	905	2.9-3.1 / 1.7-1.8	373	169	204	11.9
CBK-4-30/3	1330	4.2-4.3 / 2.4-2.5	413	169	244	13.4
CBK-4-40/1	520	1.7-1.9 / 1.0-1.1	400	196	204	12.0
CBK-4-40/2	905	2.9-3.1 / 1.7-1.8	400	196	204	12.1
CBK-4-40/3	1330	4.2-4.3 / 2.4-2.5	440	196	244	13.7
CBK-4-40/4	1650	5.0-5.2 / 2.9-3.0	440	196	244	14.9
CBK-4-50/1	520	1.7-1.9 / 1.0-1.1	427	223	204	12.1
CBK-4-50/2	905	2.9-3.1 / 1.7-1.8	427	223	204	12.3
CBK-4-50/3	1330	4.2-4.3 / 2.4-2.5	467	223	244	14.0
CBK-4-50/4	1650	5.0-5.2 / 2.9-3.0	467	223	244	15.1
CBK-4-50/5	1950	5.9-6.0 / 3.4-3.5	467	223	244	15.2
CBK-4-60/1	520	1.7-1.9 / 1.0-1.1	454	250	204	12.4
CBK-4-60/2	905	2.9-3.1 / 1.7-1.8	454	250	204	12.5
CBK-4-60/3	1330	4.2-4.3 / 2.4-2.5	494	250	244	14.1
CBK-4-60/4	1650	5.0-5.2 / 2.9-3.0	494	250	244	15.3
CBK-4-60/5	1950	5.9-6.0 / 3.4-3.5A	494	250	244	15.5
CBK-4-70/1	520	1.7-1.9 / 1.0-1.1	481	277	204	12.5
CBK-4-70/2	905	2.9-3.1 / 1.7-1.8	481	277	204	12.6
CBK-4-70/3	1330	4.2-4.3 / 2.4-2.5	521	277	244	14.2
CBK-4-70/4	1650	5.0-5.2 / 2.9-3.0	521	277	244	15.5
CBK-4-70/5	1950	5.9-6.0 / 3.4-3.5	521	277	244	15.6
CBK-4-80/1	520	1.7-1.9 / 1.0-1.1	508	304	204	12.7
CBK-4-80/2	905	2.9-3.1 / 1.7-1.8	508	304	204	12.9
CBK-4-80/3	1330	4.2-4.3 / 2.4-2.5	548	304	244	14.5
CBK-4-80/4	1650	5.0-5.2 / 2.9-3.0	548	304	244	15.7
CBK-4-80/5	1950	5.9-6.0 / 3.4-3.5	548	304	244	15.9

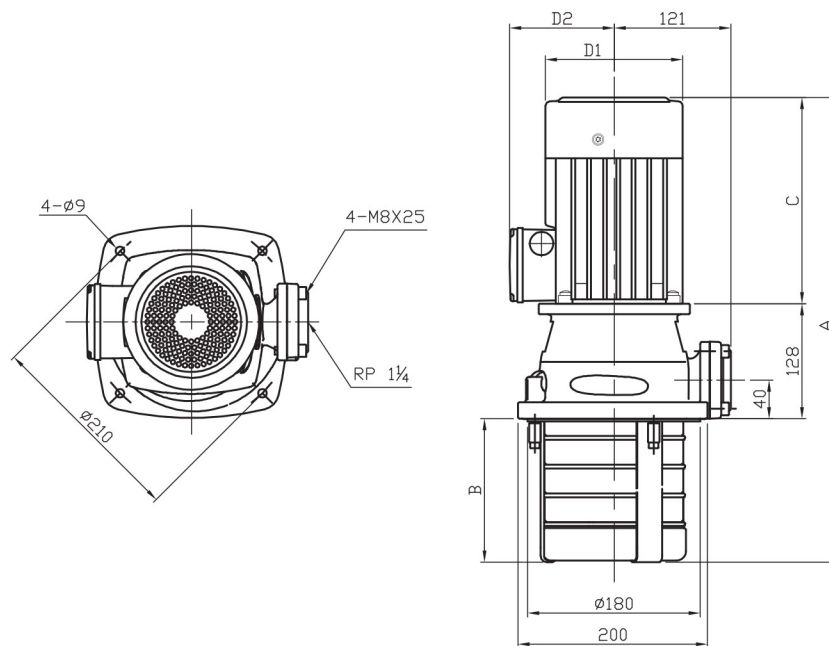


Technical data

Performance curves CBK 8 (Dual Frequency)



Dimensions and weights CBK 8



Dual Frequency

3PH 220-255/380-440V

PUMP TPYE	Motor P1 [W]	In [A] 220-255 / 380-440V	Dimension (mm)					N.W (KG)
			A	B	C	D1	D2	
CBK-8-20/2	1724	5.3-5.0 / 3.1-2.9	423	60	235	141	115	19.3
CBK-8-30/2	1724	5.3-5.0 / 3.1-2.9	453	90	235	141	115	19.4
CBK-8-40/2	1724	5.3-5.0 / 3.1-2.9	483	120	235	141	115	20.1
CBK-8-50/2	1724	5.3-5.0 / 3.1-2.9	513	150	235	141	115	20.5
CBK-8-60/2	1724	5.3-5.0 / 3.1-2.9	543	180	235	141	115	20.8
CBK-8-70/2	1724	5.3-5.0 / 3.1-2.9	573	210	235	141	115	21.6

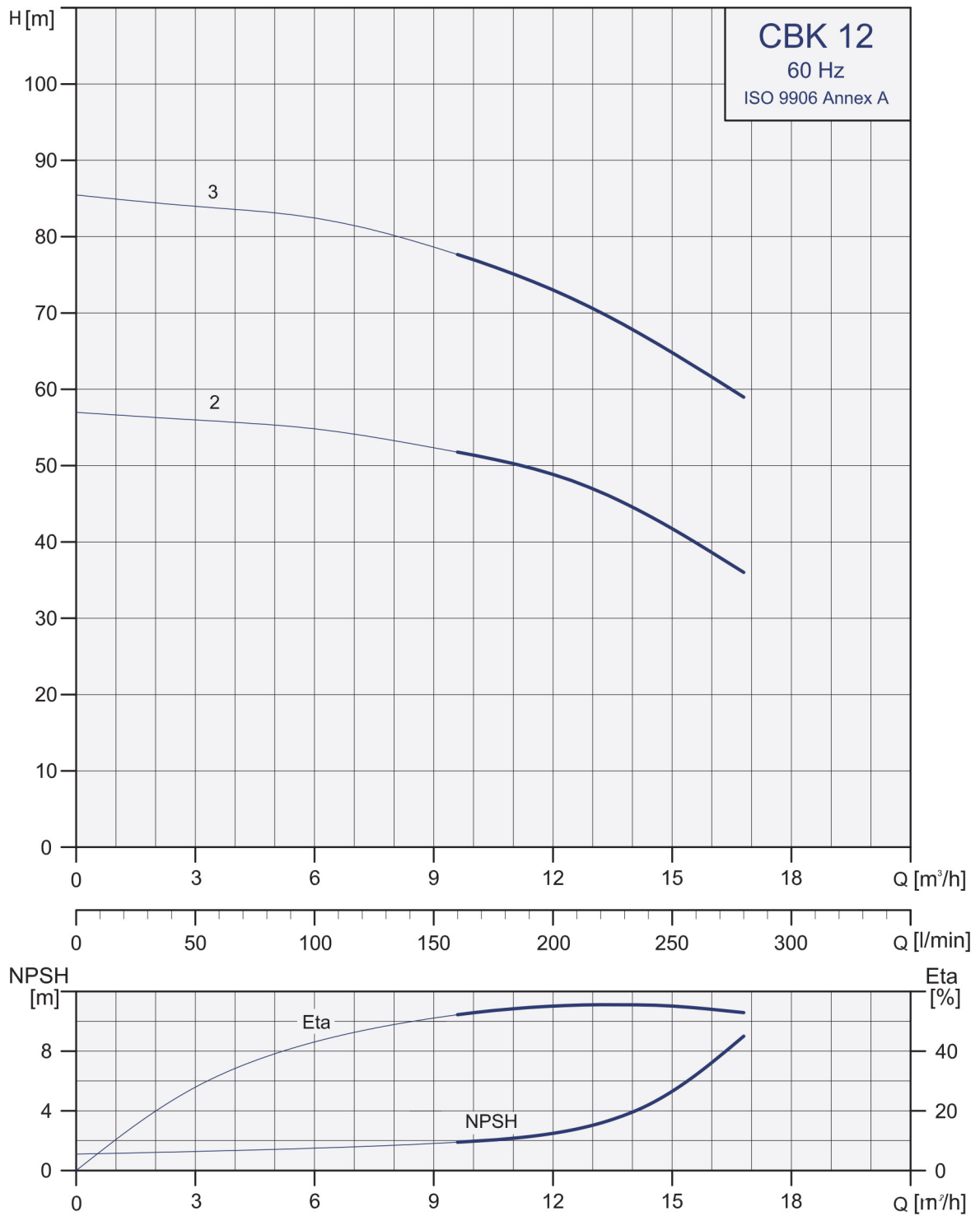
Dual Frequency

3PH 220-277/380-480V

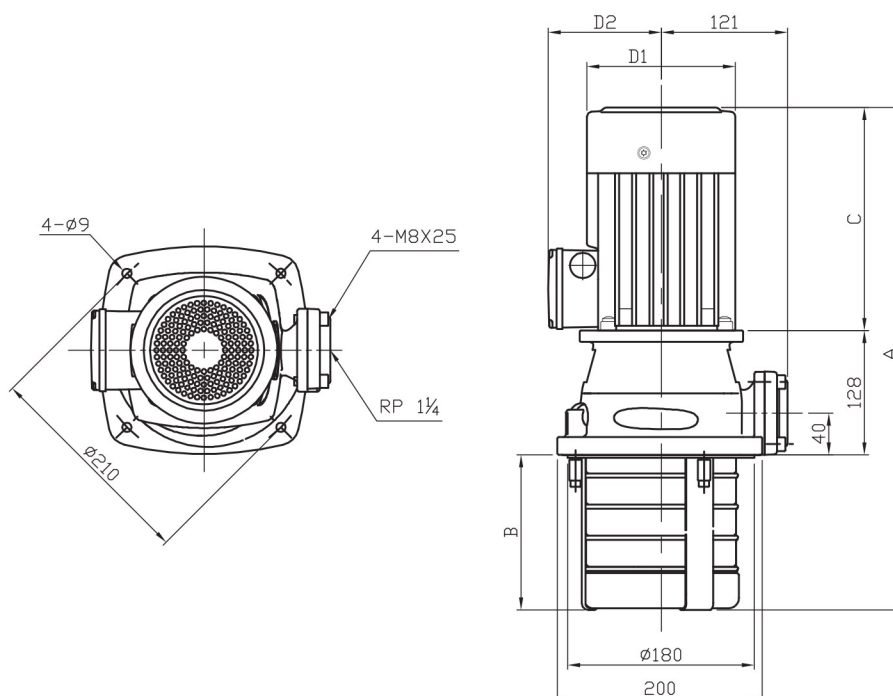
PUMP TPYE	Motor P1 [W]	In [A] 220-277 / 380-480V	Dimension (mm)					N.W (KG)
			A	B	C	D1	D2	
CBK-8-30/3	2648	7.3-7.0 / 4.2-4.1	509	90	291	177	141	28.5
CBK-8-40/3	2648	7.3-7.0 / 4.2-4.1	539	120	291	177	141	28.9
CBK-8-40/4	3352	9.2-9.1 / 5.3-5.2	539	120	291	177	141	31.3
CBK-8-50/3	2648	7.3-7.0 / 4.2-4.1	569	150	291	177	141	29.2
CBK-8-50/4	3352	9.2-9.1 / 5.3-5.2	569	150	291	177	141	31.7
CBK-8-50/5	4114	12.0-12.4 / 7.0-7.3	594	150	316	197	147	37.7
CBK-8-60/3	2648	7.3-7.0 / 4.2-4.1	599	180	291	177	141	29.6
CBK-8-60/4	3352	9.2-9.1 / 5.3-5.2	599	180	291	177	141	32.0
CBK-8-60/5	4114	12.0-12.4 / 7.0-7.3	624	180	316	197	147	37.4
CBK-8-60/6	4800	14.0-12.9 / 8.2-7.5	634	180	326	220	161	43.9
CBK-8-70/3	2648	7.3-7.0 / 4.2-4.1	629	210	291	177	141	29.9
CBK-8-70/4	3352	9.2-9.1 / 5.3-5.2	629	210	291	177	141	32.4
CBK-8-70/5	4114	12.0-12.4 / 7.0-7.3	654	210	316	197	147	37.7
CBK-8-70/6	4800	14.0-12.9 / 8.2-7.5	664	210	326	220	161	44.3
CBK-8-70/7	5448	15.6-14.6 / 9.1-8.5	664	210	326	220	161	44.7

Technical data

Performance curves CBK 12 (Dual Frequency)



Dimensions and weights CBK 12

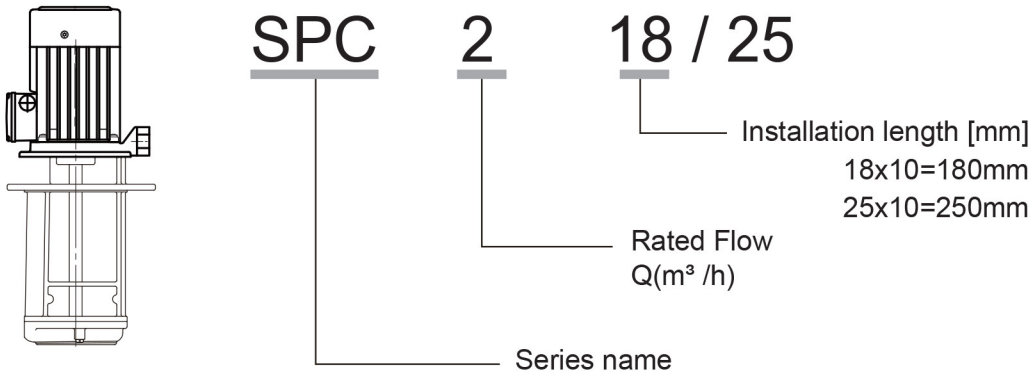


Dual Frequency

3PH 220-277/380-480V

PUMP TYPE	Motor P1 [W]	In [A] 220-277 / 380-480V	Dimension (mm)					N.W (KG)
			A	B	C	D1	D2	
CBK-12-20/2	3867	11.3-11.6 / 6.6-6.8	504	60	316	197	147	34.8
CBK-12-30/2	3867	11.3-11.6 / 6.6-6.8	534	90	316	197	147	35.2
CBK-12-30/3	5619	15.6-14.2 / 9.0-8.3	544	90	326	220	161	41.7
CBK-12-40/2	3867	11.3-11.6 / 6.6-6.8	564	120	316	197	147	35.5
CBK-12-40/3	5619	15.6-14.2 / 9.0-8.3	574	120	326	220	161	42.1
CBK-12-50/2	3867	11.3-11.6 / 6.6-6.8	594	150	316	197	147	35.9
CBK-12-50/3	5619	15.6-14.2 / 9.0-8.3	604	150	326	220	161	42.4
CBK-12-60/2	3867	11.3-11.6 / 6.6-6.8	624	180	316	197	147	36.2
CBK-12-60/3	5619	15.6-14.2 / 9.0-8.3	634	180	326	220	161	42.8
CBK-12-70/2	3867	11.3-11.6 / 6.6-6.8	654	210	316	197	147	36.6
CBK-12-70/3	5619	15.6-14.2 / 9.0-8.3	664	210	326	220	161	43.1

Model code



Applications

The SPC coolant pump is co-axial pump/motor design to processing-material cooling device such as milling, drilling, cutting, grinding these widely machine tools, it is suitable to deliver coolant, light oil and all kind non-aggressive liquids.



Pump Construction

The pump is one-chamber vertical centrifugal pump, co-axial pump/ motor design, impellers mounted on extended motor shaft.

Operation Conditions

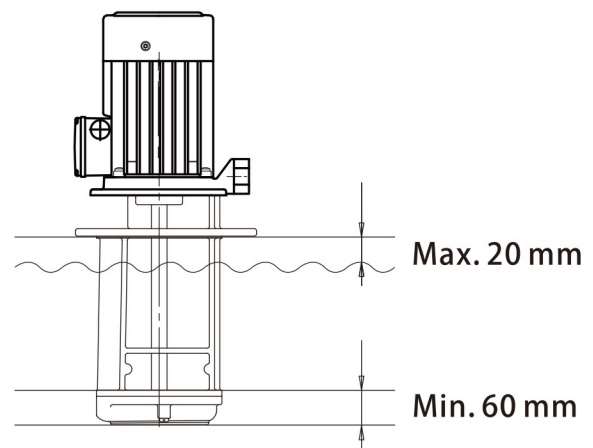
Liquid Temperature Range: +0°C ~ +90°C
 Ambient Temperature: Max. +40°C
 Operating Pressure: Max. 10kg/cm²
 Liquid viscosity: 1~32 cSt

Motor

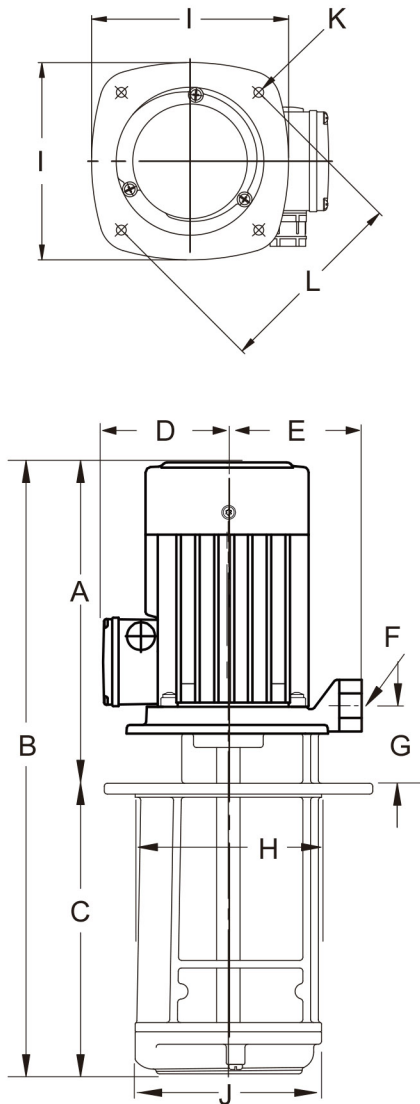
Frequency: 50 / 60 Hz
 Insulation Class: F class
 Enclosure Protection Class: IP 54
 Nominal Speed: 2900 / 3500 RPM
 Standard Voltages:
 50Hz : 3Ø 220-240V / 380-415V
 60Hz : 3Ø 220-255V / 380-440V

Power: 50Hz: 170W~770W
 60Hz: 305W~1160W
 50Hz: Head Up to 12M
 Flow Up to 245 L/min
 60Hz: Head Up to 16.5M
 Flow Up to 290 L/min
 Outlet: 1/2" ~ 1"

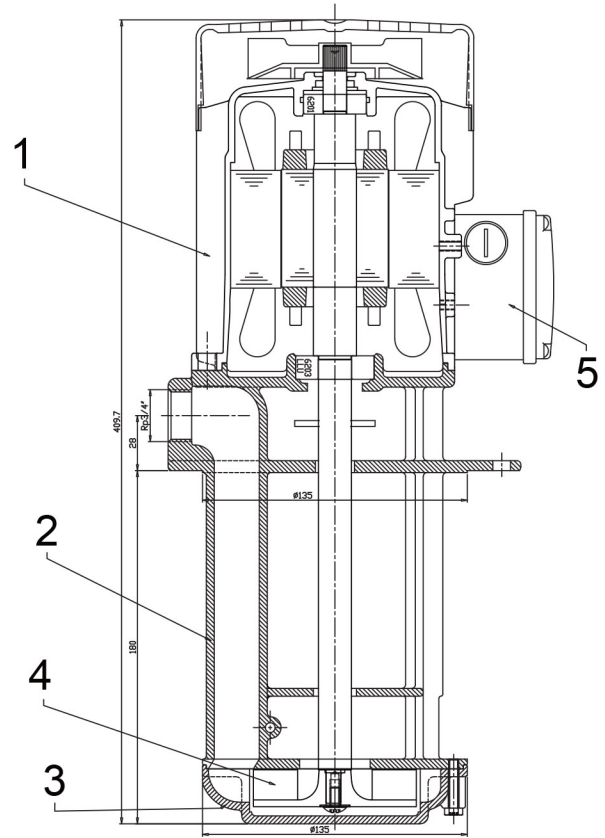
Installation



Dimensions and weights



Material

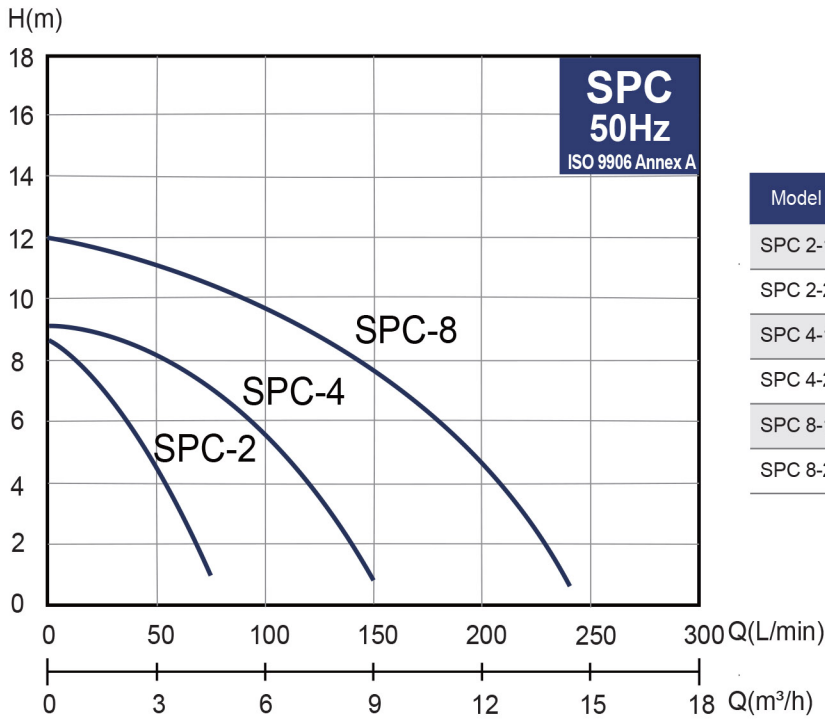


No.	Component	Material
1	Motor	ADC12
2	Pump	FC20
3	Pump cover	FC20
4	Impeller	NYLON
5	Wiring box	ABS

Model	Dimension (mm)												Weight (kg)	Units/Pallet	Pallet dimension L x W x H (cm)
	A	B	C	D	E	F	G	H	I	J	K	L			
SPC 2-18	185	365	180	115	85	RP1/2"	21	110	160	120	4*ø8	PCD 158	9.5	50	100 x 100 x 167
SPC 2-25	185	435	250	115	85	RP1/2"	21	110	160	120	4*ø8	PCD 158	10.5		100 x 100 x 167
SPC 4-18	225	405	180	115	90	RP3/4"	25	120	170	135	4*ø8	PCD 170	11		110 x 110 x 167
SPC 4-25	225	475	250	115	90	RP3/4"	25	120	170	135	4*ø8	PCD 170	12		110 x 110 x 167
SPC 8-18	270	450	180	115	95	RP1"	30	130	190	150	4*ø8	PCD 185	14		105 x 110 x 123
SPC 8-25	270	520	250	115	95	RP1"	30	130	190	150	4*ø8	PCD 185	15.2		95 x 110 x 123

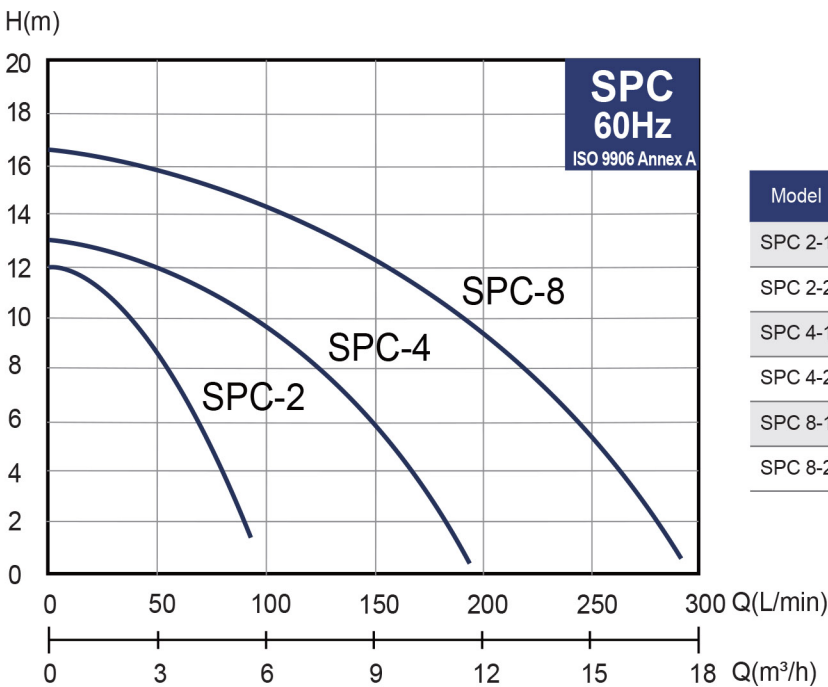
Technical data

Performance curves



3 Phase 50Hz

Model	Power [w]	Discharge [inch]	Head [M]	Flow [L/min]	Max.Amp	
					220-240V	380-415V
SPC 2-18	170	1/2 "	8.5	75	0.8 - 0.9	0.49 - 0.53
SPC 2-25	170	1/2 "	8.5	75	0.8 - 0.9	0.49 - 0.53
SPC 4-18	405	3/4 "	9	150	1.5 - 1.6	0.8 - 1.0
SPC 4-25	405	3/4 "	9	150	1.5 - 1.6	0.8 - 1.0
SPC 8-18	770	1 "	12	240	2.9 - 3.0	1.7 - 1.9
SPC 8-25	770	1 "	12	240	2.9 - 3.0	1.7 - 1.9



3 Phase 60Hz

Model	Power [w]	Discharge [inch]	Head [M]	Flow [L/min]	Max.Amp	
					220-255V	380-440V
SPC 2-18	305	1/2 "	12	90	0.9 - 1.0	0.5 - 0.55
SPC 2-25	305	1/2 "	12	90	0.9 - 1.0	0.5 - 0.55
SPC 4-18	650	3/4 "	13	190	1.9 - 2.1	1.0 - 1.1
SPC 4-25	650	3/4 "	13	190	1.9 - 2.1	1.0 - 1.1
SPC 8-18	1160	1 "	16.5	290	3.4 - 3.5	1.9 - 2.1
SPC 8-25	1160	1 "	16.5	290	3.4 - 3.5	1.9 - 2.1



6520 NW 77th CT MIAMI, FL , 33166

Ph: +1 (786) 615 8984 Fax: +1 (786) 615 7043

www.golpumps.com

Info@golpumps.com