



# G.P.T CO

Gol Pump Technology Company

Designed for light weight, excellent performance, low energy consumption, and easy maintenance, PRORILsubmersible handy pumps serve a wide range of pumping applications on utility, construction, industrial, and municipal job sites.

60Hz

Handy and Residue Pump

## SMART VOX BASE 750

Residue Pump



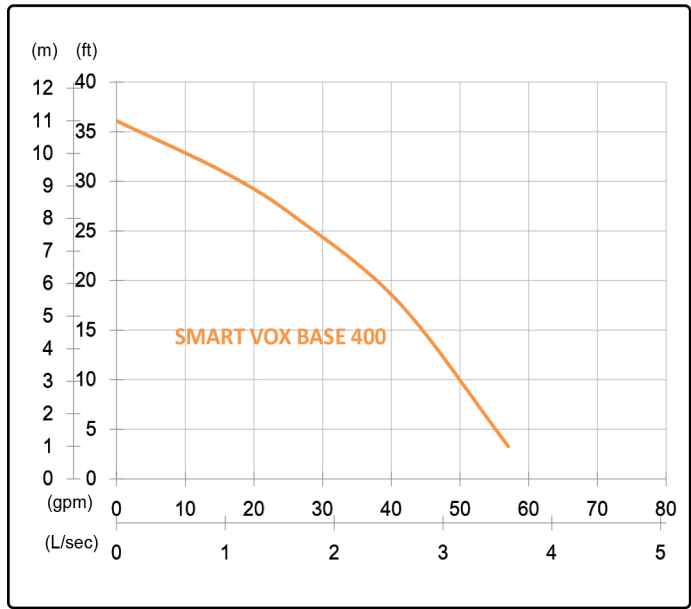


**G.P.T CO**

www.golpumps.com  
www.golpumps.us

Hz 60

**SMART VOX BASE 750**  
Residue Pump

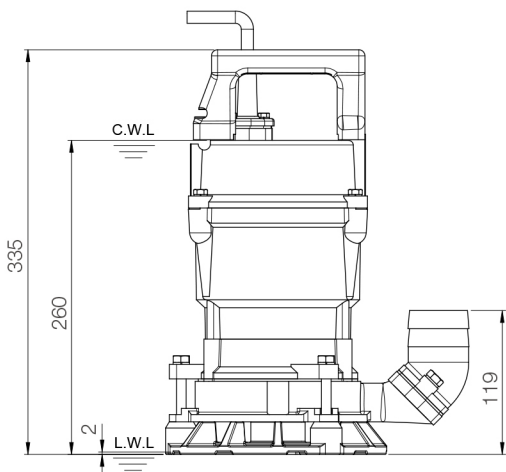
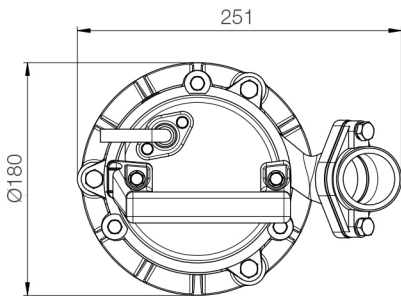


Shaft Speed : 3450 rpm

Outlet : 50mm, 2in

OUTPUT	HEAD	FLOW
0.4 kW	Rated : 8m, 26ft	Rated : 1.6L/s, 26gpm
0.5 HP	Max : 11m, 36ft	Max : 3.6L/s, 58gpm

Solid Passage : 2mm, 0.1in



unit : mm

Weight : 11.3kg / 25 lbs

Pump Type	Electric Submersible Pumps	
	1-Phase	
Motor	Type	Induction Motor
	Poles	2 Pole
	Insulation	Class F
	Protector	Miniature Thermal Protector
	Starter	Capacitor-Run
Lubricant	Food Grade (ISO VG32)	
Impeller Type	Semi-Vortex	
Shaft Seal	Double Mechanical Seal	
	Silicon Carbide VS Ceramic / Carbon	
Bearings	C3 Shielded ball bearings	
Cable	PVC (OSA Certified) / H07RN-F	
	10m (33ft) or longer upon request.	
Materials	Pump Casing	Gray Iron
	Impeller	Synthetic Polymers
	Motor Frame	Aluminum
	Motor Shaft	Stainless Steel
	Agitator	Stainless Steel
	Strainer	Synthetic Polymers
Max. Liquid Temperature	40°C (104°F)	
Max. Submersion Depth	20m (66ft)	
pH Range	pH 5 - pH 8	