



G.P.T CO

Gol Pump Technology Company

Serving a wide range of slurry transport applications, STORMY-S series pumps are designed for long wear life, low energy consumption, excellent performance, and easy maintenance. With patented ACrS Tech and rugged construction, these abrasion and corrosion resistant slurry pumps provide economical solutions for challenging slurry transportation.

60Hz

Slurry and Sand Pump

STORMY 6150SL

Strainer and Agitator Pump



OPENED



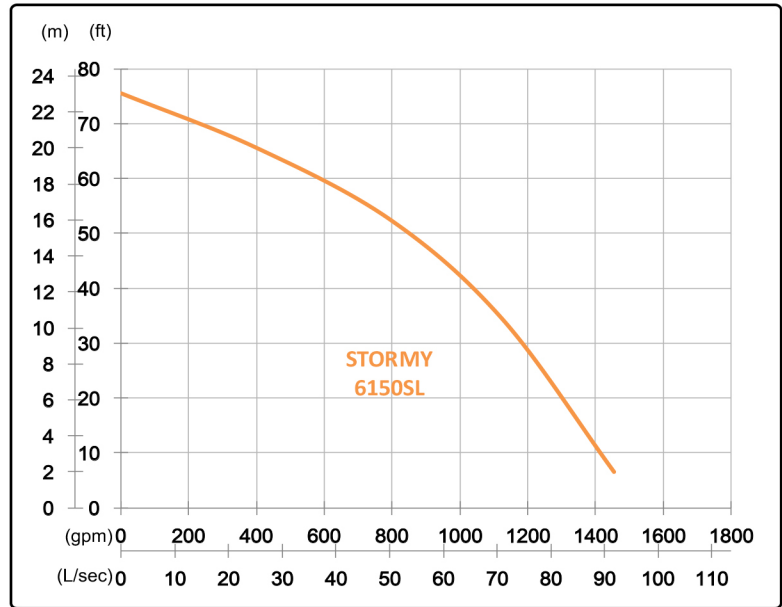


G.P.T CO

www.golpumps.com
www.golpumps.us

Hz 60

STORMY 6150SL
Strainer and Agitator Pump



Shaft Speed : 1750 rpm

Outlet : 150mm, 6in

OUTPUT

HEAD

FLOW

15 kW

Rated : 16m, 52ft

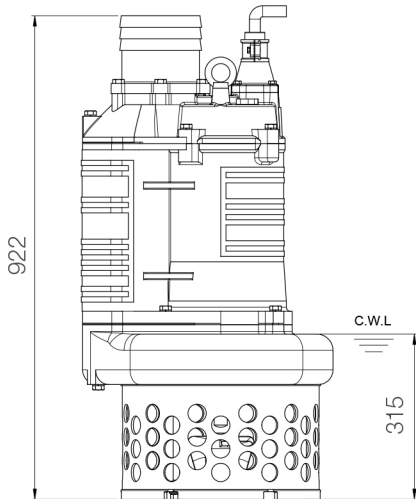
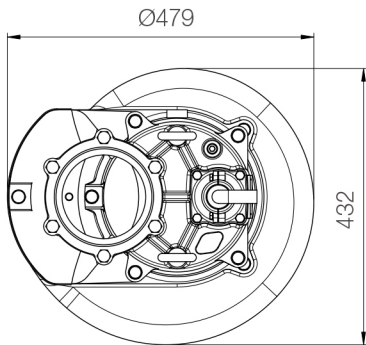
Rated : 50 L/s, 793 gpm

20 HP

Max : 23m, 75ft

Max : 91.7 L/s, 1453 gpm

Solid Passage : 35mm, 1.4in



unit : mm

Weight : 208kg / 459 lbs

Pump Type		Electric Submersible Pumps
		3-Phase
Motor	Type	Induction Motor
	Poles	4 Pole
	Insulation	Class F
	Protector	Circle Thermal Protector
	Starter	D.O.L.
Lubricant		Food Grade (ISO VG32)
Impeller Type		Opened
Shaft Seal		Double Mechanical Seal
		Silicon Carbide VS Ceramic / Carbon
Bearings		C3 Shielded ball bearings
Cable		PVC (CSA Certified) / H07BQ-F
		10m (33ft) or longer upon request.
Materials	Pump Casing	Ductile Iron
	Impeller	Chromium Iron
	Motor Frame	Gray Iron
	Motor Shaft	Stainless Steel
	Wear Plate	Chromium Iron
	Agitator	Chromium Iron
	Strainer	Carbon Steel
Max. Liquid Temperature		40°C (104°F)
Max. Submersion Depth		20m (66ft)
pH Range		pH 5 - pH 8