



GOL PUMPS TECHNOLOGY INC

60 Hz

G.P.T.CO

Sewage Pump
Grinder Pump
Stainless Cutter Pump



STO



Grinder



Cutter pump



ISO-9001/CNS12681



SEWAGE PUMP



G.P.T. CO

GPQ

**Stainless
Grinder Pump**

GPQ Type 7.5HP Cast Stainless Cutter Pump

“ CUT - ALL ”

DESIGNED TO REDUCE INDUSTRIAL AND
DOMESTIC SEWAGE TO FINE SLURRY.

Power: 7.5HP

Motor: 4 Poles

FEATURES:

- The powerful integrated grinding mechanism particularly for grinding larger and heavier pieces such as the poultry bones at the waste of the restaurant or the untreated sewage with larger hard solid inside.
- The hard stainless steel made grinder and impeller together with the high torque motor perform the optimal grinding performance.
- The triplex seals – Double mechanical seal plus an oil seal to isolate the motor from the sewage.
- Unique Epoxy Cable Sealing Base ensures 100% capability to block the water vapor from entering the motor even the cable breaks.
- Using heavy-duty dual ball bearing on the bottom of the motor to support the axial push.
- Equipped with a self-reset circle thermal protector to avoid over-loading, locking of the impeller, and scorch damage to the motor from phase failure.

APPLICATIONS:

Ideal for sewage, industrial & groundwater drainage installation in the following fields

- Sewage pumping stations.
- Sewage treatment plants.
- Septic tanks.
- Collecting & settling sumps.
- Flood & emergency.
- Liyvids With Ropes, Can, Cable, Plastic ,Botteles Pieces of wood ,etc...





G.P.T. CO

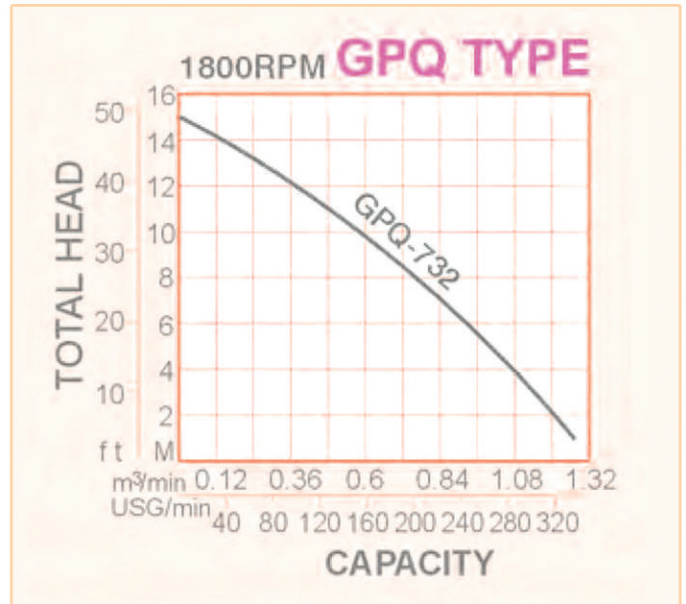
GPQ

Stainless
Grinder Pump



GPQ TYPE

Poultry bones



TYPE	MOTOR				PUMP					Cable	Weight	Height	Pump Diameter
	POWER		Phase	Volt	Disch.Dia.		Max.Head	Max.Flow	Solid Passage				
	HP	kw	PH	V	inch	mm	M	m³/min	mm				
GPQ	STAINLESS GRINDER PUMP												
GPQ-732	7.5	5.5	3	220-480	3	80	15	1.3	3	5.5"x 10	83.5	686	376

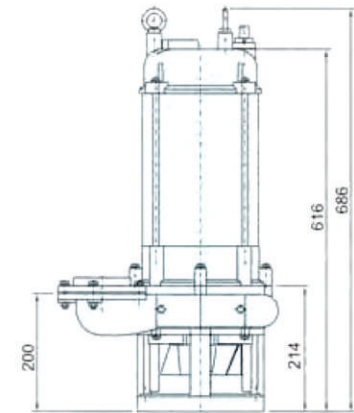
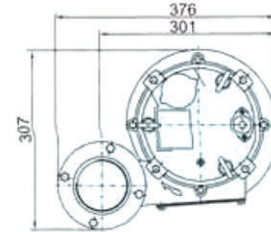


G.P.T.CO

GPQ

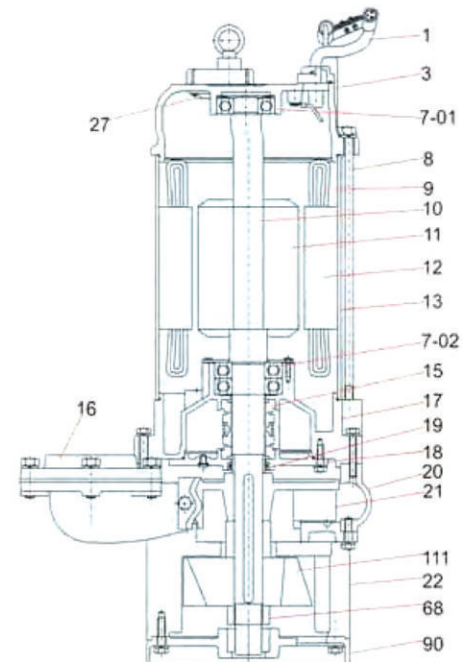
**Stainless
Grinder Pump**

DIMENSIONS



CONSTRUCTIONS

NO.	NAME OF PARTS	MATERIAL
1	Cable	V.C.T
3	Motor head cover	SUS 304
7-01	Bearing	
7-02	Bearing	
8	Bolt	SUS 304
9	Coil	
10	Shaft	SUS 410
11	Rotor	Steel plate
12	Stator	Steel plate
13	Motor casing	SUS 304
15	Mechanical seal	
16	Flange setter	SUS 304
17	Motor low cover	SUS 304
18	Mechanical seal cover	SUS 304
19	Oil seal	
20	Pump casing	SUS 304
21	Impeller	SUS 304
22	Suction cover	SUS 304
27	Thermal protector	
68	Nut	Gun metal
90	Motor base	SUS 304
111	Cutter	SUS 304





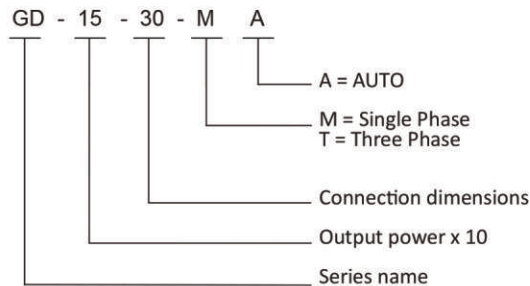
G.P.T. CO

GRINDER

The GD SERIES GRINDER submersible pumps are designed for handling raw sewage, heavy duty industrial and food processing applications, where the pump is required to operate continuously while grinding oversize materials. With the unique high chrome grinder impeller and shredder plate design in the GD SERIES GRINDER pumps, Gol pumps has the right model to handle every application to efficiently transfer the most aggressive solid laden liquids, in the pump market. Available in .HP—7.5 HP in Free-standing & Guide Rail designs 1.5



Model code



Application

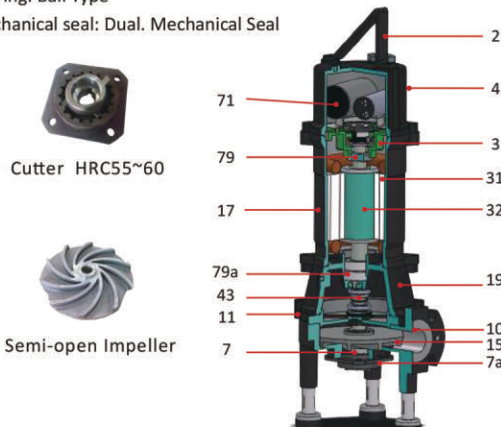
- Waste water treatment
- Sewage water
- Drainage of wastewater from individual residences, apartment buildings, recreational developments, motels
- Transferring wastewater, Schools, federal, state and local parks
- To transfer various wastewater and sewage

Motor

- Motor Type: 2 POLE, dry type
- Frequency: 60Hz
- Insulation Class: E class (120°C)
- Nominal Speed: 3450 rpm

Pump

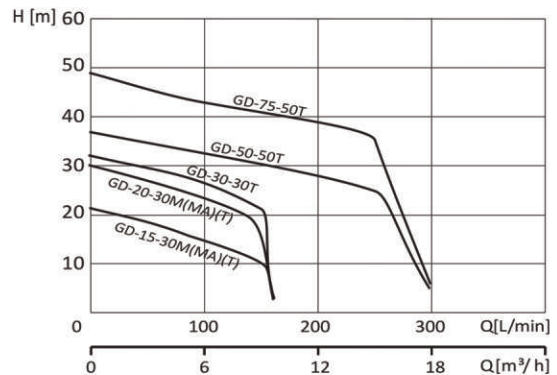
- Enclosure Protection Class: IP 68
- Protector: Thermal protection
- Insulation Class: E class (120°C)
- Bearing: Ball Type
- Mechanical seal: Dual. Mechanical Seal



Feature

- Robust construction
- Superior Heat Dissipation
- Vortex impeller design prevents clogging by cutting up articles
- Radial cutter and cutter ring SUS440C : corrosion resistant material, hardened to 55-60 Rockwell C
- Specific single phase design for starting torque, torque is five times stronger than General capacitor pump
- Horizontal casing with female thread can be fit the pipe directly
- Double mechanical seals Upper:CA/CE/NBR
Lower:SIC/SIC/NBR

Performance Curves



Operation Conditions

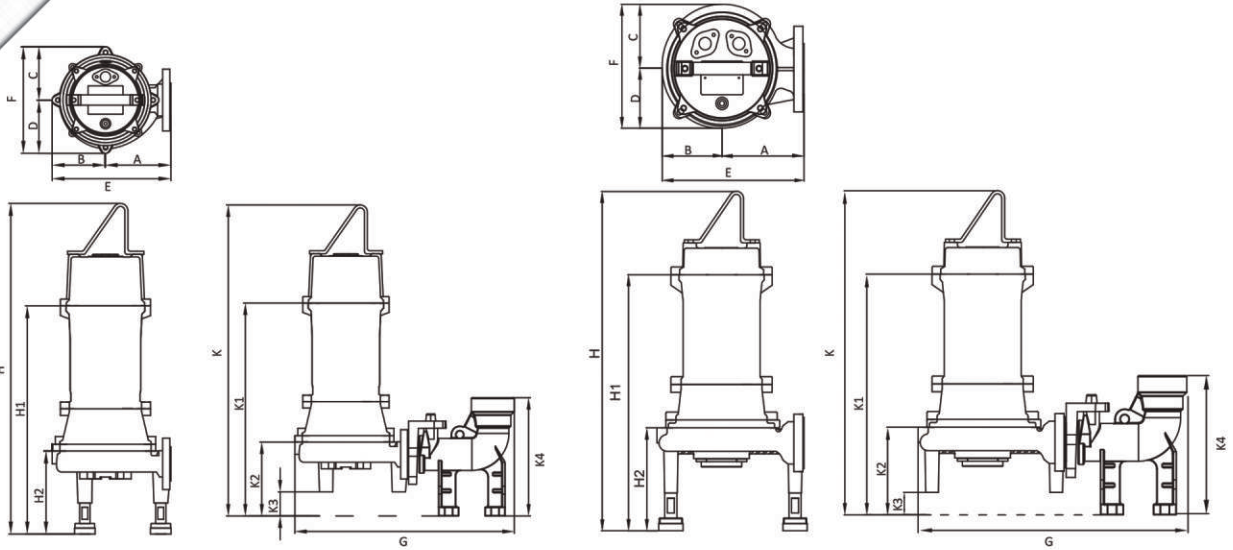
- Liquid Temperature: 0°C - 40°C (32-104°F)
- MAX.depth: 10M

No.	Component	Material	
		1.5HP/2HP/3HP	5HP/7.5HP
2	Handle	SS 41	SS 41
3	Bracket	FC 200	FC 200
4	Upper Cover	FC 200	FC 200
7	Cutter	SUS 440C	SUS 440C
7a	Cutter Ring	SUS 440C	SUS 440C
10	Pump Casing	FC 200	FC 200
11	Seal Housing	FC 200	FC 200
15	Impeller	FC 200	FC 200
17	Motor Housing	FC 200	FC 200
19	Oil Chamber	FC 200	FC 200
31	Stator		
32	Shaft and Rotor	SUS 410	SUS 410
43	Mech. Seal	Upper:CA/CE/NBR Lower:SIC/SIC/NBR	Upper:CA/CE/NBR Lower:SIC/SIC/NBR
71	Capacitor	-	-
79	Upper Bearing	6203	6304
79a	Lower Bearing	6304	6305



G.P.T. CO

GRINDER



GD-15/20/30

GD-15/20/30
with QG Guide Rail System

GD-50/75

GD-50/75
with QG Guide Rail System

Model	Dimensions (mm)														
	A	B	C	D	E	F	G	H	H1	H2	K	K1	K2	K3	K4
GD-15-30	128	102	103	103	230	206	445	640	445	160	630	432	150	50	240
GD-20-30	128	102	103	103	230	206	445	640	445	160	630	432	150	50	240
GD-30-30	128	102	103	103	230	206	445	680	485	160	670	472	150	50	240
GD-50-50	164	119	125	114	283	239	500	669	509	186	637	477	154	29	240
GD-75-50	164	119	125	114	283	239	500	709	549	186	677	517	154	29	240

Specifications

Model	Phase	Voltage (V)	Power		Head (Pressure)		Flow (Capacity)		Connection	Cable	Weight
			HP	KW	Rated (M)	Max. (M)	Rated(L/min)	Max. (L/min)			
GD-15-30M	1 ϕ	230	1.5	1.1	15.5	21.5	90	160	1-1/4"	10	30
GD-15-30MA		230	1.5	1.1	15.5	21.5	90	160	1-1/4"	10	30.5
GD-20-30M		230	2	1.5	22	30	115	160	1-1/4"	10	32.8
GD-20-30MA		230	2	1.5	22	30	115	160	1-1/4"	10	33.3
GD-15-30T	3 ϕ	460	1.5	1.1	15.5	21.5	90	160	1-1/4"	10	30
GD-20-30T		460	2	1.5	22	30	115	160	1-1/4"	10	32.8
GD-30-30T		460	3	2.2	24	32	130	160	1-1/4"	10	35
GD-50-50T		460	5	3.7	26	37	240	300	2"	10	44
GD-75-50T		460	7.5	5.5	35	49	250	300	2"	10	49

- Model with "M" is single.
- Model with "T" is three.
- Model with "A" is AUTO.



G.P.T. CO

GSTO-GFO

Sewage
CutterPump

Sewage Pump

STO 1311 AUTO - SETTER TYPE SEWAGE PUMP
FO FLOOR MOUNT TYPE SEWAGE PUMP

STO	FO	
<p>Output : 1 - 2 HP Motor : 2 Poles • E Insulation class Non-clog Impeller :</p>  <p>Dual-blade semi-open type</p>	<p>Output : 3 - 5 HP Motor : 4 Poles • B Insulation class Non-clog Impeller :</p>  <p>Single-blade semi-open type</p>	<p>Output : 7 1/2~20 HP Motor : 4 Poles • B Insulation class Non-clog Impeller :</p>  <p>Dual-blade closed type</p>



G.P.T. CO

GSTO

**Sewage
CutterPump**

GSTO Type Auto-Setter Industrial Sewage Pump

DESIGNED FOR SEWAGE APPLICATION AND MAINTENANCE
SIMPLIFIED BY AUTOMATIC CONNECTING DEVICE

Power: 1 - 20 HP

Motor: 4 Poles



MAINTENANCE SIMPLIFIED BY AUTOMATIC CONNECTING DEVICE

The automatic connecting device performs connection/ disconnection between a pump and piping only by lifting the pump down / up along guide pipes, so the maintenance and inspection work can be done without entering the septic tank.



Design A

Dual-blade semi-open
type non-clog impeller.



IMPELLER DESIGN

SiC Mechanical Seal

Equipped with double mechanical seals with heat-and-corrosion-resistant silicon carbide to prevent the motor from water in





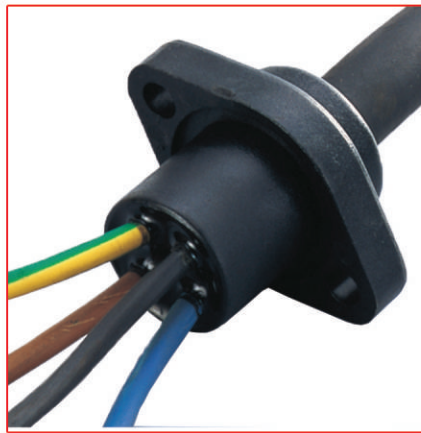
G.P.T. CO

GSTO

**Sewage
CutterPump**

EPOXY Cable Sealing Base

Waterproof cable prevent water in cable ends sealed with epoxy resin, and lead wires are partially tripped off for perfect resin sealing. Triple protection for the motor against water penetration.



Built-in Motor Protector

All FO/STO type Sewage Pumps are equipped with a self-reset circle motor protector to avoid over-loading, locking of impeller, and scorch damage to the motor from phase failure.

APPLICATIONS

- Effluent pumping in industrial wastewater treatment plants.
- Sewage wastewater and solid treatment in various factories and building sites.
- Food processing factory.
- Confined livestock feeding industry.
- Pulp and paper factory.
- Residential houses.
- Restaurants and shops.
- Markets and supermarkets.



G.P.T.CO

GSTO

Sewage
CutterPump

The automatic connecting device performs connection I disconnection between a pump and piping only by lifting the pump down I up along guide pipes, so the maintenance and inspection work can be done without entering the pump sump.

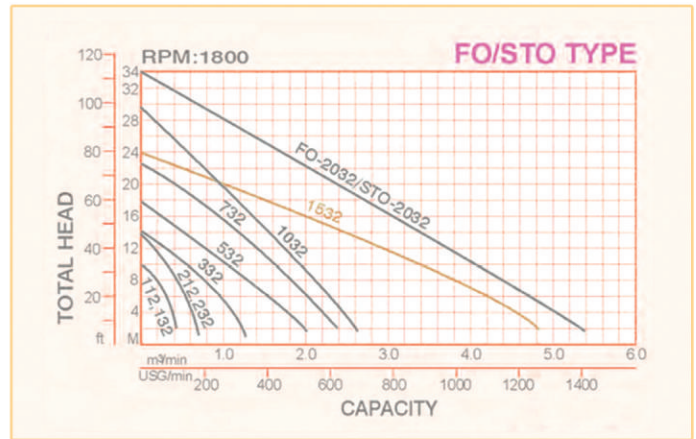
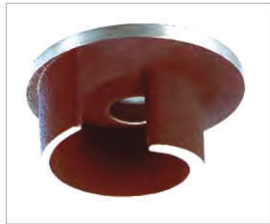




G.P.T.CO

GFO/GSTO

Sewage Pump



TYPE		MOTOR				PUMP					Cable	Weight		Height		Pump Diameter	
Floor mount	Auto setter	POWER		Phase	Volt	Disch.Dia.		Max.Head	Max.Flow	Solid Passage		Floor mount	Auto setter	Floor mount	Auto setter	Floor mount	Auto setter
		HP	kw	PH	V	inch	mm	M	m³/min	mm							
FO/STO SEWAGE PUMP																	
FO-112	STO-112	1	0.75	1	200-240	2	50	10	0.45	25	1.25"x6	30	35	486	465	268	584
FO-132	STO-132			3	200-480												
FO-212	STO-212	2	1.5	1	200-240	3	80	14	0.72	28	3.5"x 10	56	78	473	618	518	693
FO-232	STO-232			3	200-480												
FO-332	STO-332	3	2.2	3	200-480	3	80	14	1.4	40x50	3.5"x 10	97	115	715	721	580	755
FO-532	STO-532	5	3.7	3	200-480	4	100	18	2	53x50	3.5"x 10	97	122	740	746	580	755
FO-732	STO-732	7.5	5.5	3	200-480	4	100	24	2.4	88x46	5.5"x10	152	177	797	803	681	899
FO-1032	STO-1032	10	7.5	3	200-480	4	100	30	2.6	88x46	5.5"x10	172	197	818	824	681	899
FO-1532	STO-1532	15	11	3	200-480	4	100	24	4.8	117x48	5.5"x10	253	302	817	976	880	1019
FO-2032	STO-2032	20	15	3	200-480	4	100	34	5	117x50	8.0"x10	263	312	901	1006	880	1019



G.P.T.CO

GSTO-GFO

Sewage
CutterPump

SPECIFICATIONS

STO · STO-T AUTO - SETTER TYPE SEWAGE PUMP

FO · FO-T FLOOR MOUNT TYPE SEWAGE PUMP

Hz	TYPE		MOTOR					PUMP					IMPELLER		WEIGHT(kg)		
			Power	Volt	Phase	SS Revolution	Starting	BORE	Total Head	Flow	Max. Head	Max. Flow	Solid Passage	No. of Vanes	CABLE	Auto-setter	Floor mount
	Auto-setter	Floor mount	KW(HP)	V	PH	R.P.M.	method	Inch(mm)	M	m ³ /min	M	m ³ /min	mm		mm ² xm		
50	STO-112	FO-112	0.75(1)	200-240	1	3000	Capacitor	2"(50)	7	0.21	10	0.42	25	2	1.25 ² x 6	36	30
	STO-132	FO-132		200-480	3		D.O.L.										
	STO-212	FO-212	1.5(2)	200-240	1	3000	Capacitor	3"(80)	7	0.5	14	0.72	28	2	3.5 ² x 10	78	56
	STO-232	FO-232		200-480	3		D.O.L.										
	STO-332	FO-332	2.2(3)	200-480	3	1500	D.O.L.	3"(80)	8	0.5	14	1.3	40 x 50	1	3.5 ² x 10	115	97
	STO-532	FO-532	3.7(5)	200-480	3	1500	D.O.L.	4"(100)	8	1.0	17	2.0	53 x 50	1	3.5 ² x 10	122	97
	STO-732	FO-732	5.5(7 1/2)	200-480	3	1500	D.O.L.	4"(100)	14	1.0	23	2.3	88 x 46	2	5.5 ² x 10	177	152
	STO-1032	FO-1032	7.5(10)	200-480	3	1500	D.O.L.	4"(100)	19	1.0	26	2.3	88 x 46	2	5.5 ² x 10	197	172
	STO-1532	FO-1532	11(15)	200-480	3	1500	Star-delta	6"(150)	14	2.0	22	4.5	117 x 48	2	5.5 ² x 10	302	253
	STO-2032	FO-2032	15(20)	200-480	3	1500	Star-delta	6"(150)	20	2.0	30	5.0	117 x 50	2	8.0 ² x 10	312	263
60	STO-112	FO-112	0.75(1)	200-240	1	3600	Capacitor	2"(50)	8	0.21	10	0.45	25	2	1.25 ² x 6	36	30
	STO-132	FO-132		200-480	3		D.O.L.										
	STO-212	FO-212	1.5(2)	200-240	1	3600	Capacitor	3"(80)	8	0.5	14	0.72	28	2	3.5 ² x 10	78	56
	STO-232	FO-232		200-480	3		D.O.L.										
	STO-332	FO-332	2.2(3)	200-480	3	1800	D.O.L.	3"(80)	10	0.5	14	1.4	40 x 47	1	3.5 ² x 10	115	97
	STO-532	FO-532	3.7(5)	200-480	3	1800	D.O.L.	4"(100)	10	1.0	18	2.0	53 x 47	1	3.5 ² x 10	122	97
	STO-732	FO-732	5.5(7 1/2)	200-480	3	1800	D.O.L.	4"(100)	16	1.0	24	2.4	88 x 46	2	5.5 ² x 10	177	152
	STO-1032	FO-1032	7.5(10)	200-480	3	1800	D.O.L.	4"(100)	20	1.0	30	2.6	88 x 46	2	5.5 ² x 10	197	172
	STO-1532	FO-1532	11(15)	200-480	3	1800	Star-delta	6"(150)	16	2.0	24	4.8	117 x 48	2	5.5 ² x 10	302	253
	STO-2032	FO-2032	15(20)	200-480	3	1800	Star-delta	6"(150)	22	2.0	34	5.0	117 x 50	2	8.0 ² x 10	312	263



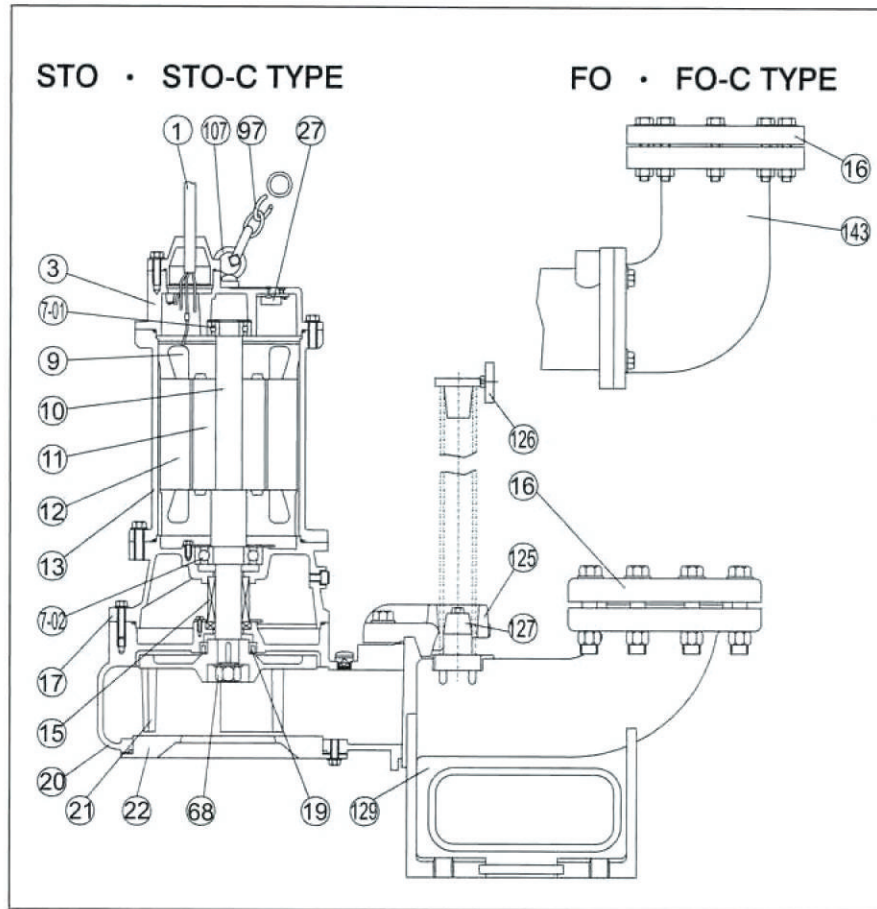
G.P.T. CO

GSTO-GFO

**Sewage
Cutter Pump**

CONSTRUCTIONS

C.W.L. : Continuous running Water Level
L.W.L. : Lowest running Water Level



NO	NAME OF PARTS	MATERIAL
1	Cable	V.C.T.
3	Motor head cover	Cast iron
7-01	Upper ball bearing	
7-02	Lower ball bearing	
9	Coil	
10	Shaft	SUS 304
11	Rotor	
12	Stator	
13	Motor casing	Cast iron
15	Mechanical seal	Silicon Carbide
16	Flange	Cast iron
17	Motor lower cover	Cast iron
19	Oil seal	
20	Pump casing	Cast iron
21	Impeller (for STO)	Cast iron
21	Impeller (for STO-C) with a sintered tungsten bide alloy tip	Cast iron
22	Suction cover	Cast iron
27	Thermal protector	
68	Nut	SUS 304
97	Lifting chain	Steel
107	Bolt	SUS 304
125	Guide connector	Cast iron
126	Upper guide support	Cast iron
127	Lower guide support	Cast iron
129	Duck foot bend	Cast iron
143	Connecting elbow	Cast iron



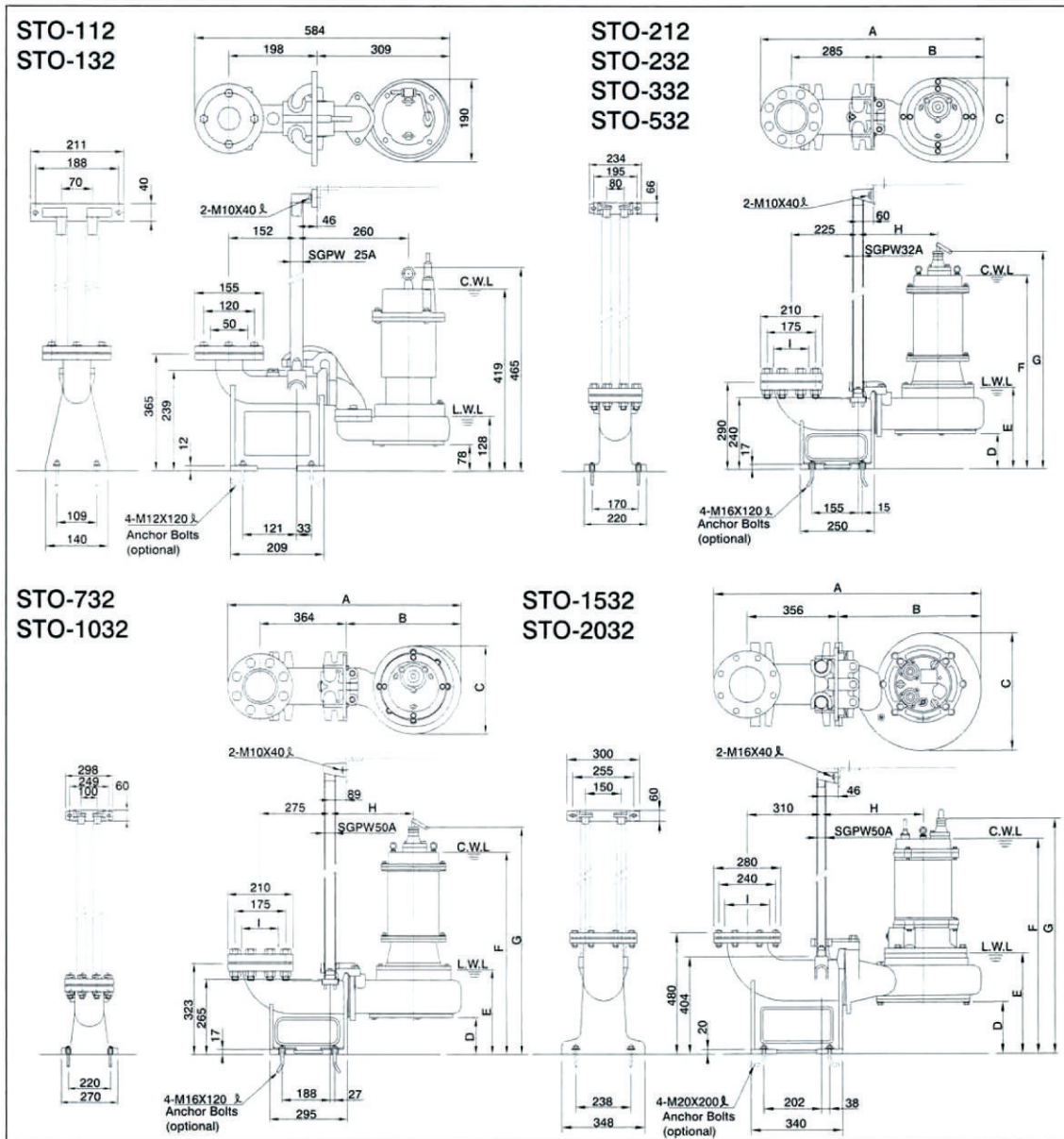
G.P.T.CO

GSTO-GFO

Sewage Pump

DIMENSIONS

C.W.L. : Continuous running Water Level
L.W.L. : Lowest running Water Level



UNIT : mm

TYPE	A	B	C	D	E	F	G	H	I
STO-212	693	303	212	140	217	568	618	256	Ø80
STO-232	693	303	212	140	217	467	515	256	Ø80
STO-332	755	365	311	116	282	633	721	270	Ø80(Ø100)
STO-532	755	365	311	116	282	658	746	270	Ø100(Ø80)
STO-732	899	430	385	116	274	721	803	330	Ø100
STO-1032	899	430	385	116	274	742	824	330	Ø100
STO-1532	1019	623	491	215	416	894	976	427	Ø150
STO-2032	1019	623	491	215	416	924	1006	427	Ø150



G.P.T.CO

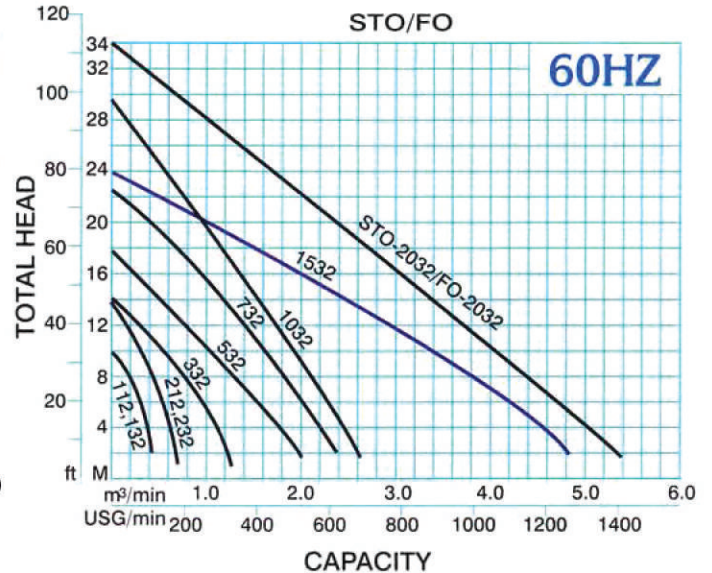
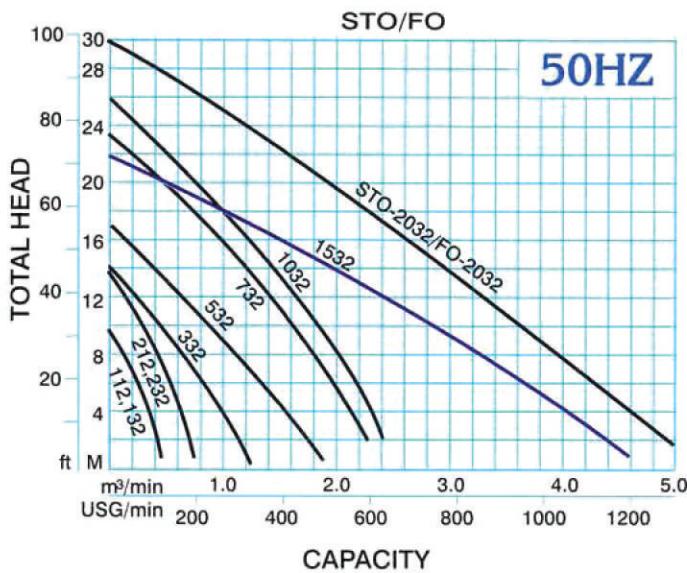
GSTO-GFO

Sewage
CutterPump

For GSTO • Type for FO • FO-T Type

- Upper Guide Support
- Guide Connector
- Lifting Chain (with shackle)
- Duck Foot Bend
- Connecting Elbow

Parts no	Description	Discharge bore				Material
		2"(50mm)	3"(80mm)	4"(100mm)	6"(150mm)	
126	Upper Guide Support	1.5 kg	2 kg	4.5 kg	6 kg	Cast iron
125	Guide Connector	2.7 kg	3.6 kg	4.5 kg	9.5 kg	Cast iron
97	Lifting Chain (with shackle)	4 m	4 m	4 m	4 m	Structure steel
129	Duck Foot Bend	12 kg	30 kg	33 kg	64 kg	Cast iron
143	Connecting Elbow	---	15 kg	15 kg	30 kg	Cast iron





G.P.T.CO

GOL PUMPS TECHNOLOGY INC



6520 NW 77 ct

MIAMI , FL 33166

PH : +1(786) 615 8984

+1(786) 452 9775

Fax : +1(786) 615 7043

www.golpumps.com

Info@golpumps.com