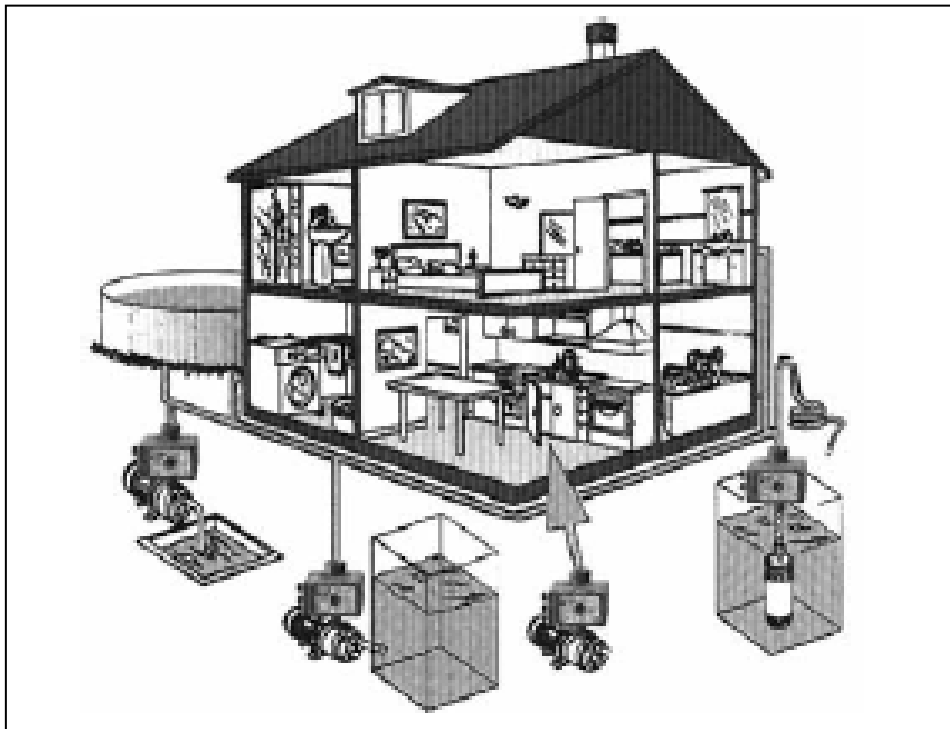
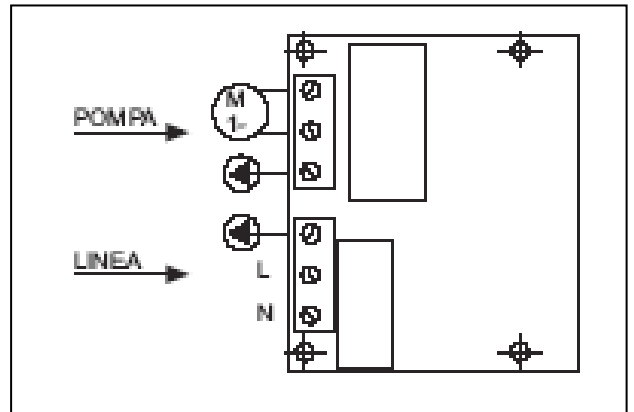
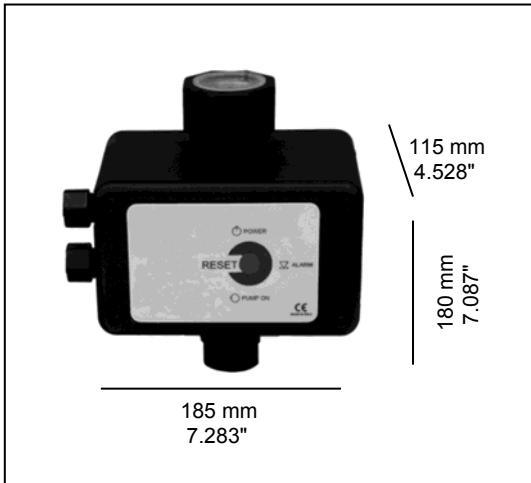




## SMART PRESS





## DESCRIPTION

### AUTOMATIC REGULATOR FOR PUMPS

**Smart Press** is an automatic electronic device, designed to regulate pump operation, without using autoclave tanks.

**Smart Press** performs the following operations:

1) Controls pump operation, automatically and without interruption, with constant pressure and delivery during supply from one or more distribution points.

The pump starts when the pressure of the system is less than the fixed pressure (std 1.5 bar). It stops when **Smart Press** no longer detects an appreciable outlet flow (see point 2).

2) Keeps the pump operating for a brief period (approximately 5 seconds) after supply has stopped at the tap closing.

3) If there is no water at the suction point, it blocks the pump, without using level probes or float switches. Or it releases automatically when a pressure above the one required to start the motor-driven pump is injected in the delivery line.

**One version of system is identified as Smart Press WG (where WG is for Water Guardian).**

**In case of block due to lack of water, this system effects some tries of automatic random, as equal as pressing the pushbutton of manual reset, every 30 Min.**

4) It is supplied with a flow sensor, manufactured with a geometry which reduces the loading losses even with very high flows.

5) Lights indicate the various operation phases:

green LED on: **present power supply**

yellow LED on: pump working

red LED on: blocked due to lack of water at supply point.

### OPERATING CONDITIONS

	Smart Press WG 1,5HP 230V	Smart Press WG 3HP 230V	Smart Press WG 1,5HP 115V
Maximum working pressure	15 BAR / 217 psi		
Standard starting calibration	1,5 BAR / 22 psi (40psi on High pressure version)		
Maximum liquid temperature	45° C / 113 ° F		
Power supply	1P~ 220-240V 50-60 Hz (+/- 6%)		1P ~ 100-127V 50-60 Hz (+/- 6%)
Maximum current strength	10A cosφ ≥ 0,7	20A cosφ ≥ 0,7	
Protection degree	IP 55		
Hydraulic connections	IN 1" M OUT 1" ¼ F		

## INSTALLATION

### Warning!

During installation, as well as during any maintenance operations, the electrical power supply must be disconnected by removing the cord or using the switch. The electrical connection must be made by a trained individual following the safety regulations in force.

a) Normally the **Smart Press** is mounted directly on the delivery point of a surface pump: the device is connected with a 1" male, however it can be mounted at any point on the delivery piping (even on a submerged pump) in a vertical or horizontal position. Avoid applying check valves **to the downstream, on recommend the application to the upstream.**

b) The **Smart Press** delivery should be connected to the water supply (1 ¼" female) **on recommend to use** a flexible hose to prevent damage from tightening and /or vibration.

c) The standard model of **Smart Press works correctly** if the highest point of use **doesn't overcome** 15 meters high. Change this value using the setting screw (dowel) on the front side of the **Smart Press**. Turn the screw clockwise to increase the ignition value. Turn counterclockwise to reduce the ignition value.

d) Make sure that the pump primes perfectly by filling the body of the pump and suction hose with water. If the pump is going to be used with supply from a low level (well) always install a foot valve.

e) Perform electric connection observing the serigraphy on the electronic card located in front of the clamps.

## TROUBLESHOOTING

**THE PUMP JAMS: (red LED on)** reset the priming and eliminate the cause of the failure to prime (suction leak, malfunctioning foot valve, tank without water, etc.). Then press the manual reset button being careful not to run the pump with no water to prevent damaging the seal and hydraulic part.

**THE PUMP GOES ON AND OFF CONTINUOUSLY:** find the leak in the delivery system and eliminate it.

**THE EQUIPMENT IS COMPLETELY OFF (NO LIGHT ON) AND WILL NOT START AGAIN:**

**Check the power supply.** If the board has been removed for replacement or for easier wiring, check if the flux sensor located in the rear part of the board, is properly located in its housing in the main body, while carefully avoiding to crush the feet which cause the board to stop completely.

---

**DAB PUMPS LTD.**

Units 4 and 5, Stortford Hall Industrial Park,  
Dunmow Road, Bishops Stortford, Herts  
CM23 5GZ - UK  
salesuk@dwtgroup.com  
Tel.: +44 1279 652 776  
Fax: +44 1279 657 727

**DAB PUMPS B.V.**

Brusselstraat 150  
B-1702 Groot-Bijgaarden - Belgium  
info.belgium@dwtgroup.com  
Tel.: +32 2 4668353  
Fax: +32 2 4669218

**DAB PUMPS INC.**

3226 Benchmark Drive  
Ladson, SC 29456 USA  
info.usa@dwtgroup.com  
Ph. : 1-843-824-6332  
Toll Free: 1-866-896-4DAB (4322)  
Fax : 1-843-797-3366

**OOO DAB PUMPS**

Novgorodskaya str, 1, bld G, office 308  
127247 Moscow - Russia  
info.russia@dwtgroup.com  
Tel.: +7 495 122 00 35  
Fax: +7 495 122 00 36

**DAB PUMPS POLAND SP. z.o.o.**

Mokotow Marynarska  
ul. Postępu 15C  
02-676 Warszawa - Poland  
Tel. +48 223 81 6085

**DAB PUMPS CHINA**

No.40 Kaituo Road, Qingdao Economic &  
Technological Development Zone  
Qingdao City, Shandong Province, China  
PC: 266500  
info.china@dwtgroup.com  
Tel.: +8653286812030-6270  
Fax: +8653286812210

**DAB PUMPS IBERICA S.L.**

Avenida de Castilla nr.1 Local 14  
28830 - San Fernando De Henares - Madrid  
Spain  
info.spain@dwtgroup.com  
Ph.: +34 91 6569545  
Fax: +34 91 6569676

**DAB PUMPS B.V.**

Albert Einsteinweg, 4  
5151 DL Drunen - Nederland  
info.netherlands@dwtgroup.com  
Tel.: +31 416 387280  
Fax: +31 416 387299

**DWT South Africa**

Podium at Menlyn, 3rd Floor, Unit 3001b,  
43 Ingersol Road, C/O Lois and Atterbury,  
Menlyn, Pretoria, 0181 South-Africa  
info.sa@dwtgroup.com  
Tel +27 12 361 3997  
Fax +27 12 361 3137

**DAB PUMPEN DEUTSCHLAND GmbH**

Tackweg 11  
D - 47918 Tönisvorst - Germany  
info.germany@dwtgroup.com  
Tel.: +49 2151 82136-0  
Fax: +49 2151 82136-36

**DAB UKRAINE Representative Office**

Regus Horizon Park  
4M. Hrinchenka St, suit 147  
03680 Kiev. UKRAINE  
Tel. +38 044 391 59 43

**DAB PRODUCTION HUNGARY KFT.**

H-8800  
Nagykanizsa, Buda Ernó u.5  
Hungary  
Tel. +36.93501700

**DAB PUMPS DE MÉXICO, S.A. DE C.V.**

Av Gral Álvaro Obregón 270, oficina 355  
Hipódromo, Cuauhtémoc 06100  
México, D.F.  
Tel. +52 55 6719 0493

**DAB PUMPS S.p.A.**

Via M. Polo, 14 - 35035 Mestrino (PD) - Italy  
Tel. +39 049 5125000 - Fax +39 049 5125950  
www.dabpumps.com