



**GOL PUMPS
TECHNOLOGY INC**

ST series 4", 6"

Submersible Electric Pumps

60HZ



4" ST Submersible Pump



Discharge Head and Motor

Adaptor are precision machined cast 304 stainless steel for superior strength and durability. The motor adaptor is NEMA standard.

Impellers are floating type made with Noryl® for a superior sand handling.

Together with glass filled polycarbonate diffusers make the super strong pumps for maximum wear and abrasive resistance. The materials are FDA compliant materials.

Impeller Bowls are made from 304 stainless steel, maximizing wear from abrasion.

Shaft Coupling is made from 304 stainless steel for easy alignment to the motor shaft.

Strainer is made from stamped 304 stainless steel for rigidity.

Non-Return valve made from 304 stainless steel, fitted in the discharge to prevent any back flow of water and alleviate any water hammer to the pumps.

Pump Shaft is made from hex 304 stainless steel bar material for high corrosion resistance.

Bearing is made with Polyacetal for strong wear and abrasive resistance.

Pump body is covered by a 1.5mm thick 304 polished stainless steel casing, ensures optimum resistance to abrasion.

APPLICATIONS

- Water Supply
- Irrigation
- Pressure Boosting

GENERAL SPECIFICATIONS

PUMP

- Delivery: up to 27.8 m³/h at 3450 rpm
- Head: up to 410 m at 3450 rpm
- Maximum permissible quantity of sand:150g/m³
- ST05-ST07-ST10-ST13-ST18 models Rp1 ¼" discharge.
- ST25 model 1 ½" discharge.
- ST35-ST40-ST55-ST60-ST80 models Rp 2" discharge.
- Motor Power: from 0.37 to 7.5 kW.

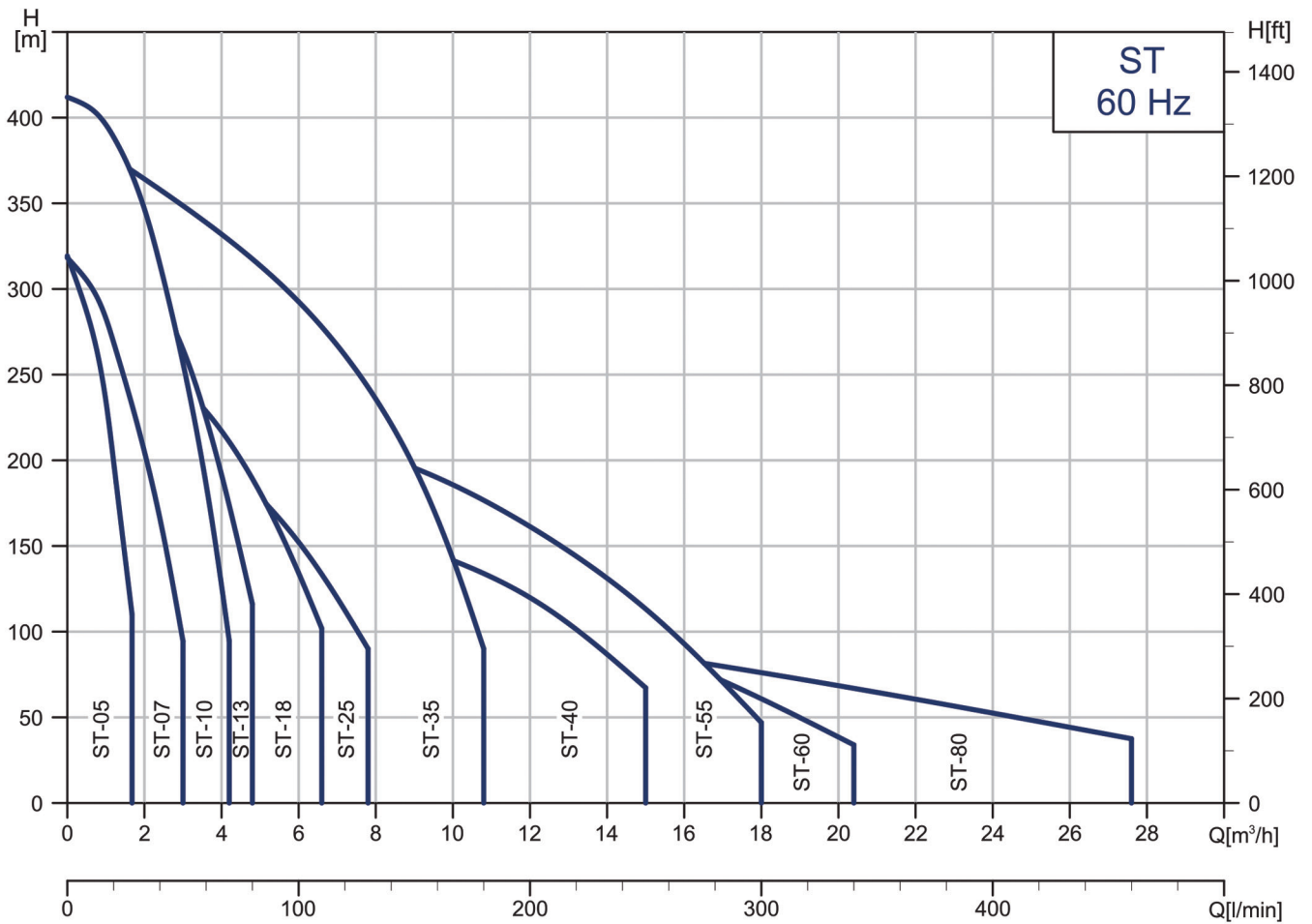
MOTOR

Flange	4" NEMA standard
Degree of protection	IP 68
Insulation class	F
Single phase motors	0.37 kW up to 4 kW
Three phase motors	0.37 kW up to 7.5 kW
Standard voltages	1~ 220V-230V 3~ 230V or 400V
Cable length	1.7 M 0.37 kW up to 1.5 kW 2.5 M 2.2 kW up to 7.5 kW



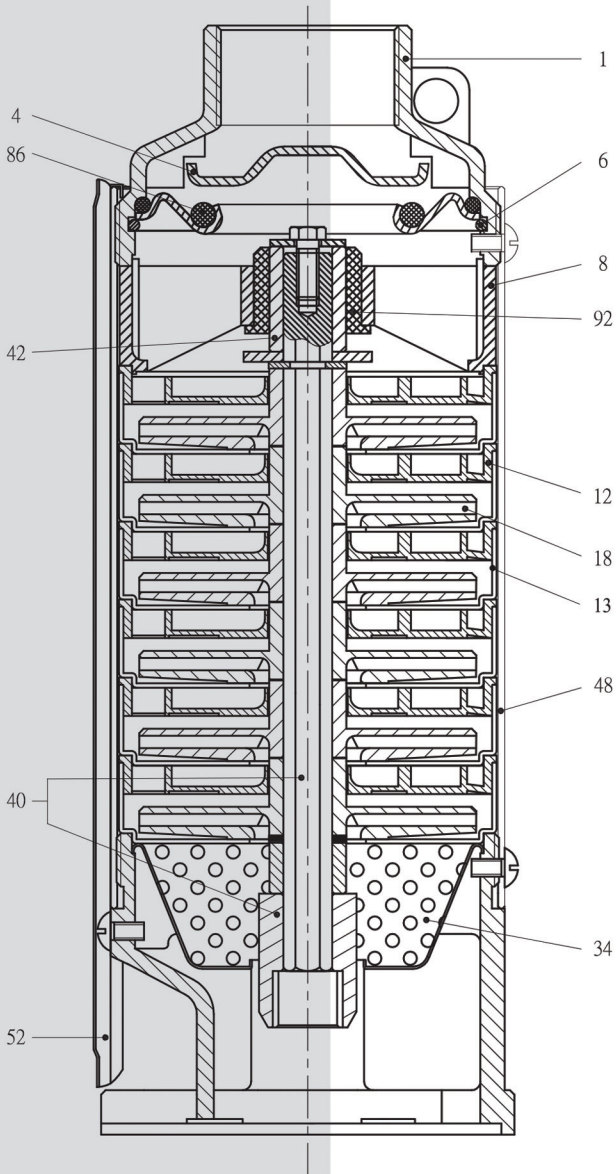
Performance range

ST 4"

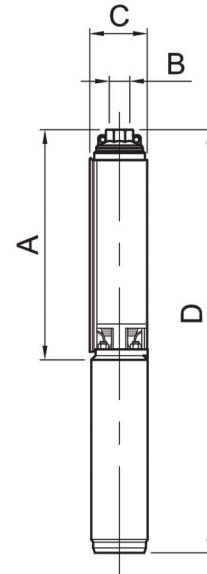
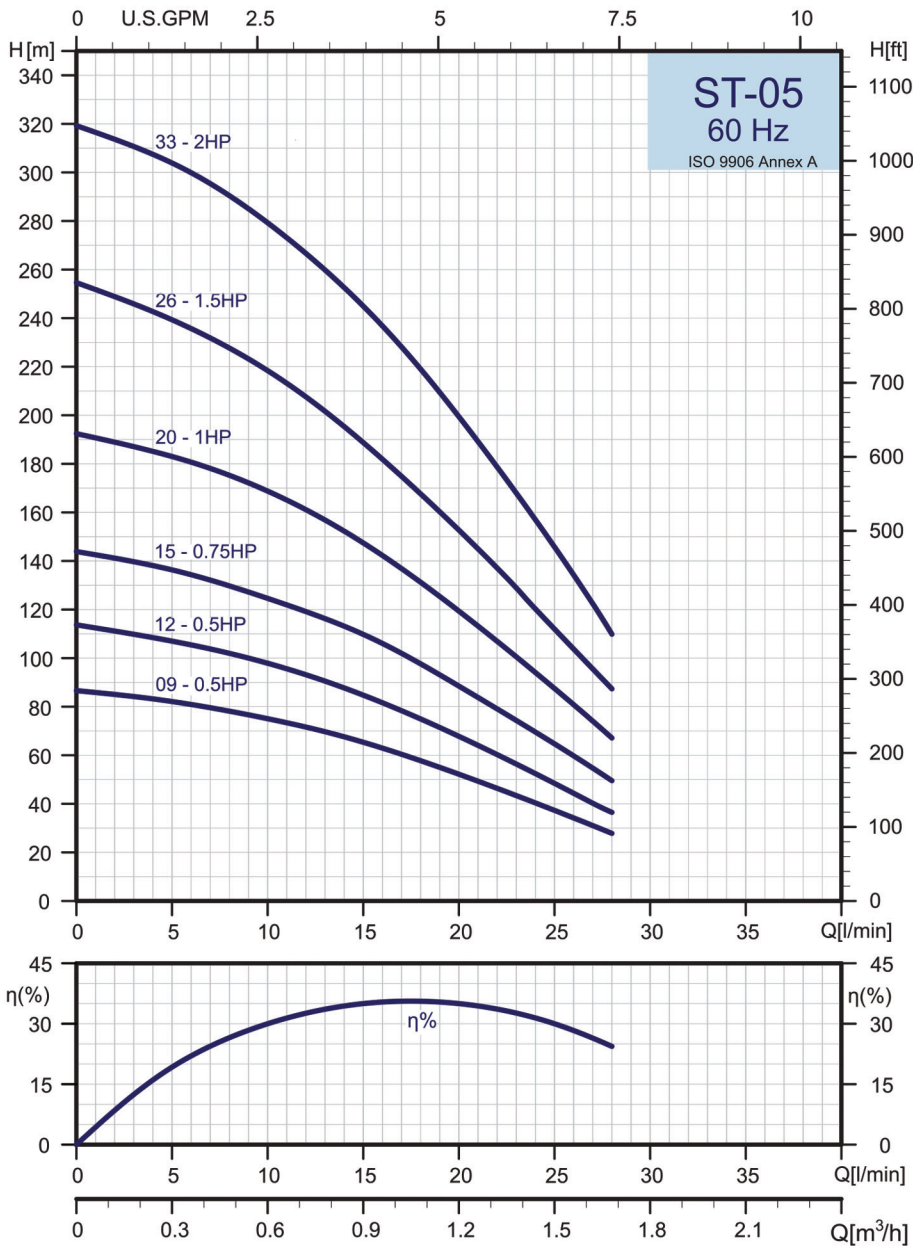


Material Specification

ST 4"



Pos.	Part Name	Material
01	Discharge Head	AISI 304 SS
04	Check Valve Cone	AISI 304 SS
06	Check Valve retaining Ring	AISI 304 SS
08	Bearing Spider	Glass Filled Polycarbonate
12	Diffuser	Glass Filled Polycarbonate
13	Bowl	AISI 304 SS
18	Impeller	Noryl
34	Strainer	AISI 304 SS
40	Pump Shaft/ Coupling	AISI 304 SS
42	Shaft Sleeve	AISI 304 SS or Noryl
48	Pump Casing	AISI 304 SS
52	Cable Guard	AISI 304 SS
86	O-Ring	NBR
92	Bearing	Polyacetal



Single Phase Motor				
Dimensions and Weights				
Pump Type	Dimensions(mm)			
	A	B	C	D
ST-0509	306	RP/NPT 1 1/4"	98	652
ST-0512	359		98	705
ST-0515	411		98	776
ST-0520	499		98	879
ST-0526	642		98	1047
ST-0533	795		98	1235

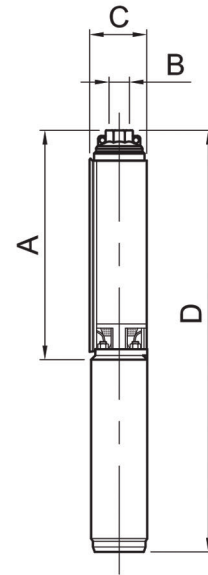
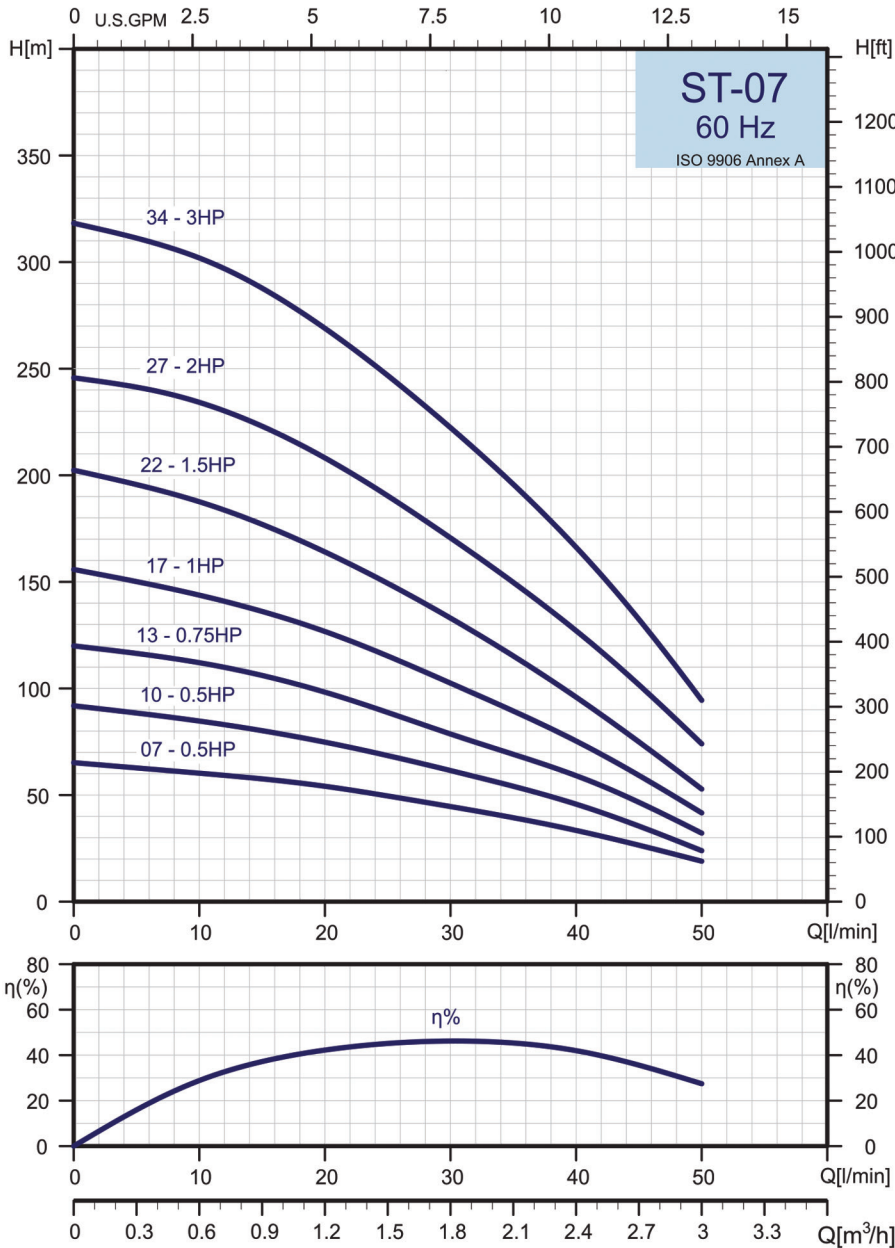
Three Phase Motor				
Dimensions and Weights				
Pump Type	Dimensions(mm)			
	A	B	C	D
ST-0509	306	RP/NPT 1 1/4"	98	636
ST-0512	359		98	689
ST-0515	411		98	757
ST-0520	499		98	846
ST-0526	642		98	1022
ST-0533	795		98	1200

Selection Chart

PUMP TYPE	STAGES	MOTOR		Q=DELIVERY									
				PUMP ELECTRO PUMP									
		KW	HP	H=TOTAL HEAD IN METERS								Net Weight(kg)	
				Single phase		Three phase							
ST-0509	9	0.37	0.5	87	75	65	52	38	21		3.1	10.4	9.8
ST-0512	12	0.37	0.5	114	98	85	68	49	28		3.6	10.9	10.3
ST-0515	15	0.55	0.75	144	124	110	89	65	39		4.1	12.3	11.5
ST-0520	20	0.75	1.0	193	169	148	120	88	53		4.9	13.7	13.1
ST-0526	26	1.1	1.5	255	219	179	152	112	68		5.8	15.8	14.7
ST-0533	33	1.5	2.0	320	280	245	200	145	82		8.3	19.8	18.3



ST 4"



Single Phase Motor				
Dimensions and Weights				
Pump Type	Dimensions(mm)			
	A	B	C	D
ST-0707	275	RP / NPT 1-1/4"	98	621
ST-0710	330		98	676
ST-0713	385		98	750
ST-0717	455		98	835
ST-0722	545		98	950
ST-0727	675		98	1115
ST-0734	833		98	1328

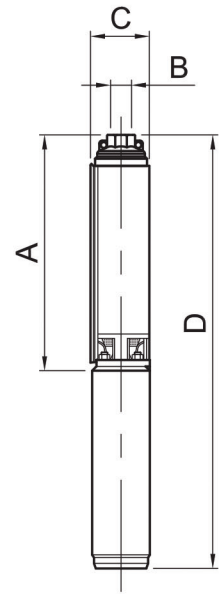
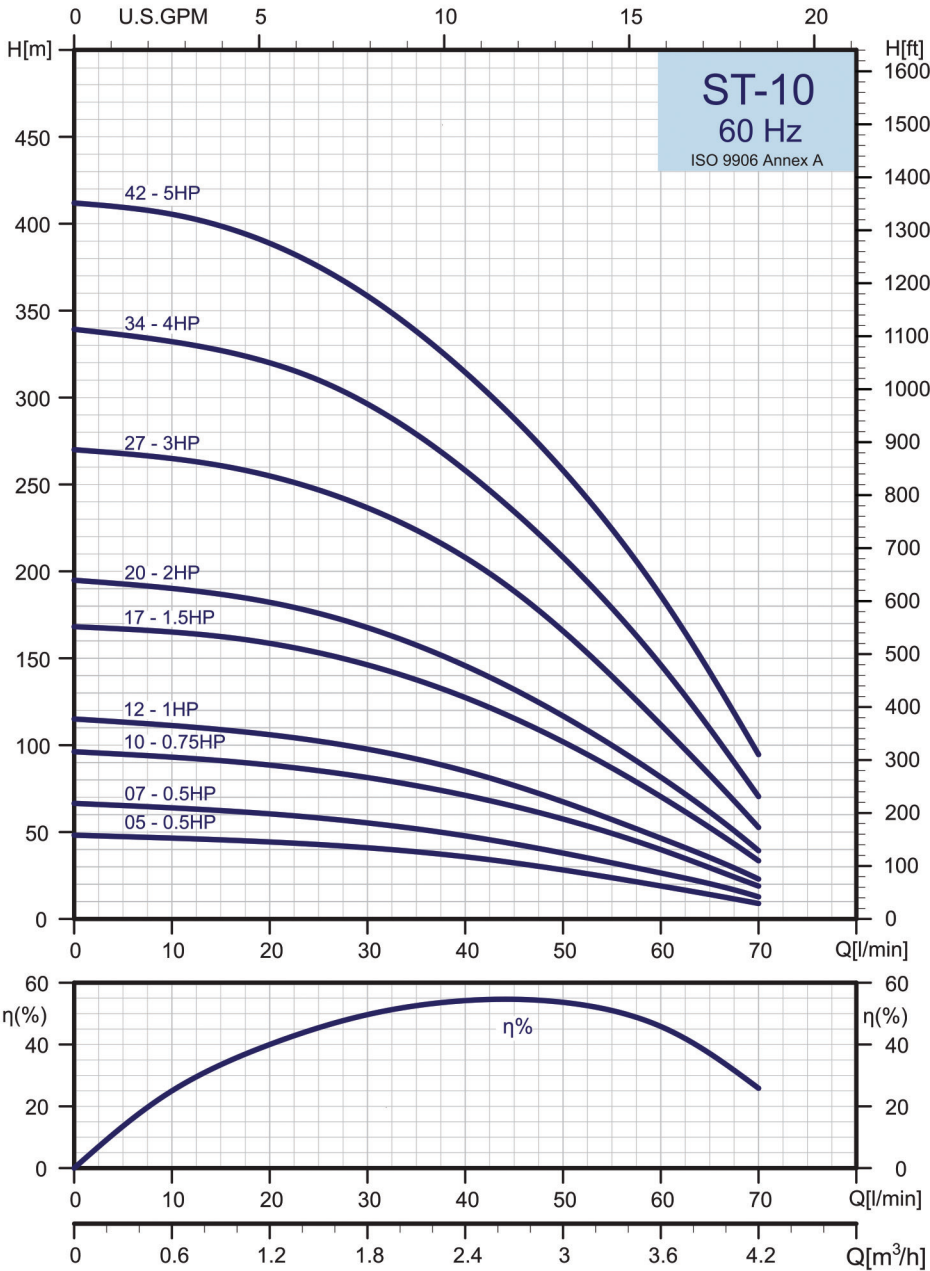
Three Phase Motor				
Dimensions and Weights				
Pump Type	Dimensions(mm)			
	A	B	C	D
ST-0707	275	RP / NPT 1-1/4"	98	605
ST-0710	330		98	660
ST-0713	385		98	731
ST-0717	455		98	820
ST-0722	545		98	925
ST-0727	675		98	1080
ST-0734	833		98	1273

Selection Chart

PUMP TYPE	STAGES	MOTOR		Q=DELIVERY												PUMP	ELECTRO PUMP	
				KW	HP	H=TOTAL HEAD IN METERS												Net Weight(kg)
														Single phase	Three phase			
ST-0707	7	0.37	0.5	66		57	54	49	44	39	33	19		2.7	10.0	9.4		
ST-0710	10	0.37	0.5	92		80	75	68	62	54	47	24		3.3	10.6	10.0		
ST-0713	13	0.55	0.75	120		106	98	89	79	69	59	32		3.8	12.0	11.2		
ST-0717	17	0.75	1.0	156		136	127	115	102	89	75	42		4.5	13.3	12.7		
ST-0722	22	1.1	1.5	203		177	165	150	133	115	97	53		5.4	15.4	14.3		
ST-0727	27	1.5	2.0	246		223	208	190	171	150	127	74		6.6	18.1	16.6		
ST-0734	34	2.2	3.0	318		288	269	247	223	196	167	95		9.3	23.3	20.9		



ST 4"



Single Phase Motor				
Dimensions and Weights				
Pump Type	Dimensions(mm)			
	A	B	C	D
ST-1005	236	RP/NPT 1 1/4"	98	582
ST-1007	271		98	617
ST-1010	324		98	689
ST-1012	359		98	739
ST-1017	447		98	852
ST-1020	499		98	939
ST-1027	660		98	1155
ST-1034	796		98	1403
ST-1042	954		98	1637

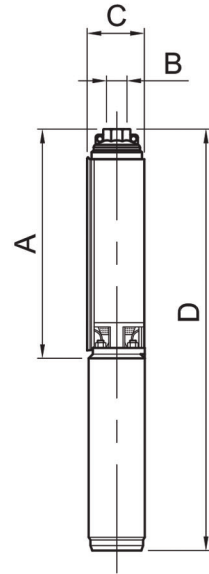
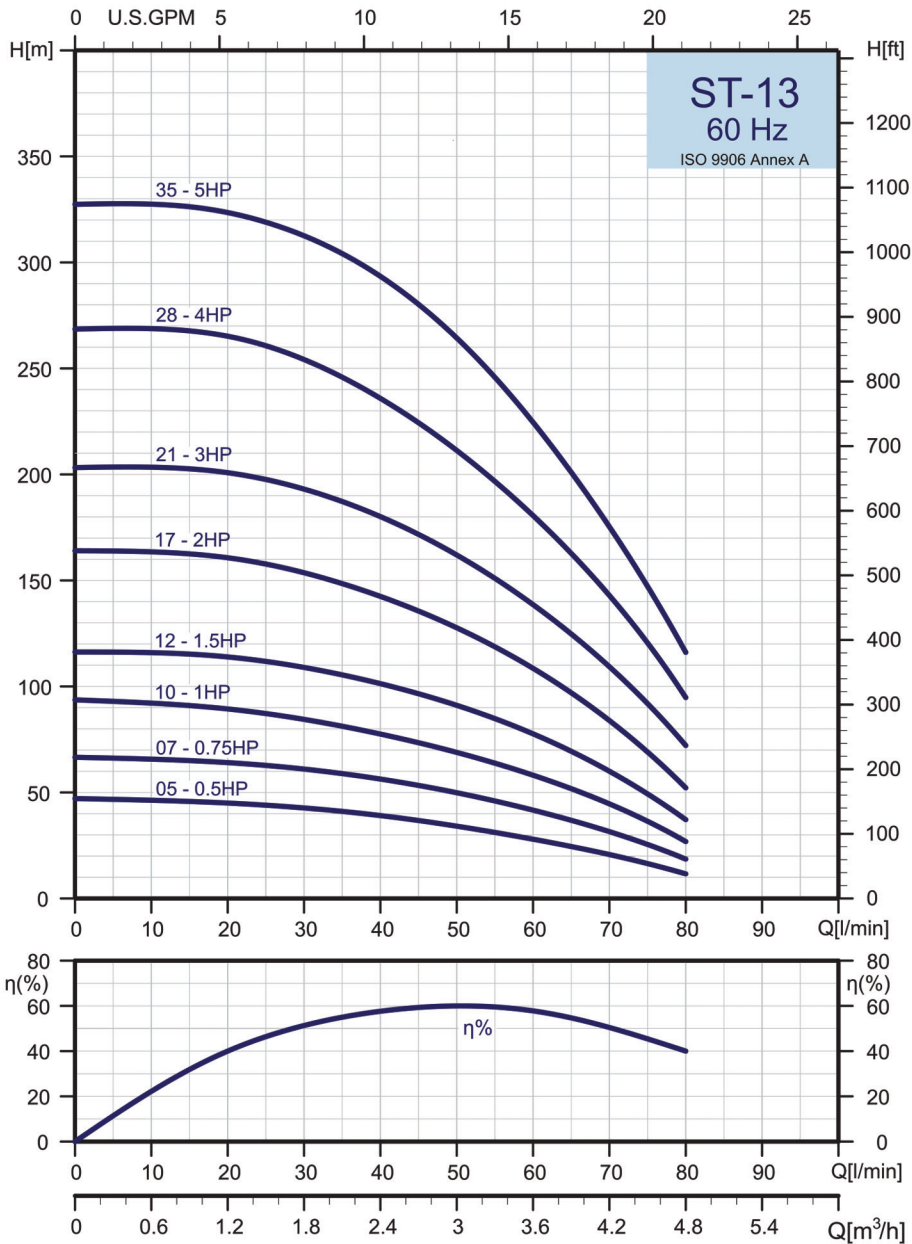
Three Phase Motor				
Dimensions and Weights				
Pump Type	Dimensions(mm)			
	A	B	C	D
ST-1005	236	RP/NPT 1 1/4"	98	566
ST-1007	271		98	601
ST-1010	324		98	670
ST-1012	359		98	724
ST-1017	447		98	827
ST-1020	499		98	904
ST-1027	660		98	1100
ST-1034	796		98	1312
ST-1042	954		98	1561

Selection Chart

PUMP TYPE	STAGES	MOTOR		Q=DELIVERY												PUMP	ELECTRO PUMP	
				l/min	0	15	20	25	30	35	40	50	60	70	80		Net Weight(kg)	
		m ³ /h	0	0.9	1.2	1.5	1.8	2.1	2.4	3.0	3.6	4.2	4.8	Single phase	Three phase			
		H=TOTAL HEAD IN METERS																
ST-1005	5	0.37	0.5	48		44	42	40	38	36	29	19	9		2.5	9.8	9.2	
ST-1007	7	0.37	0.5	67		60	58	55	52	49	39	27	13		2.8	10.1	9.5	
ST-1010	10	0.55	0.75	96		89	85	81	77	71	58	40	19		3.3	11.5	10.7	
ST-1012	12	0.75	1.0	115		106	102	98	92	85	68	47	23		3.6	12.4	11.8	
ST-1017	17	1.1	1.5	168		159	152	147	138	128	102	70	35		4.4	14.4	13.3	
ST-1020	20	1.5	2.0	195		181	177	168	158	146	118	82	40		4.9	16.4	14.9	
ST-1027	27	2.2	3.0	270		255	247	237	223	209	167	111	53		6.0	20.0	17.6	
ST-1034	34	3.0	4.0	339		320	310	296	280	259	209	146	70		8.5	27.9	23.7	
ST-1042	42	3.7	5.0	412		389	375	358	338	315	258	186	95		9.8	32.5	29.3	



ST 4"



Single Phase Motor				
Dimensions and Weights				
Pump Type	Dimensions(mm)			
	A	B	C	D
ST-1305	236	RP/NPT 1 1/4"	98	582
ST-1307	271		98	636
ST-1310	324		98	704
ST-1312	359		98	764
ST-1317	447		98	887
ST-1321	519		98	1014
ST-1328	679		98	1286
ST-1335	841		98	1524

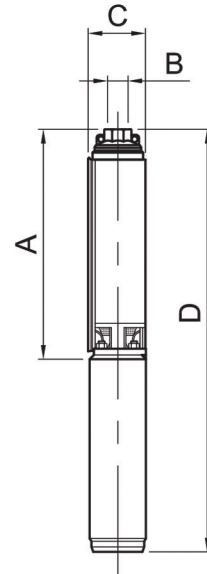
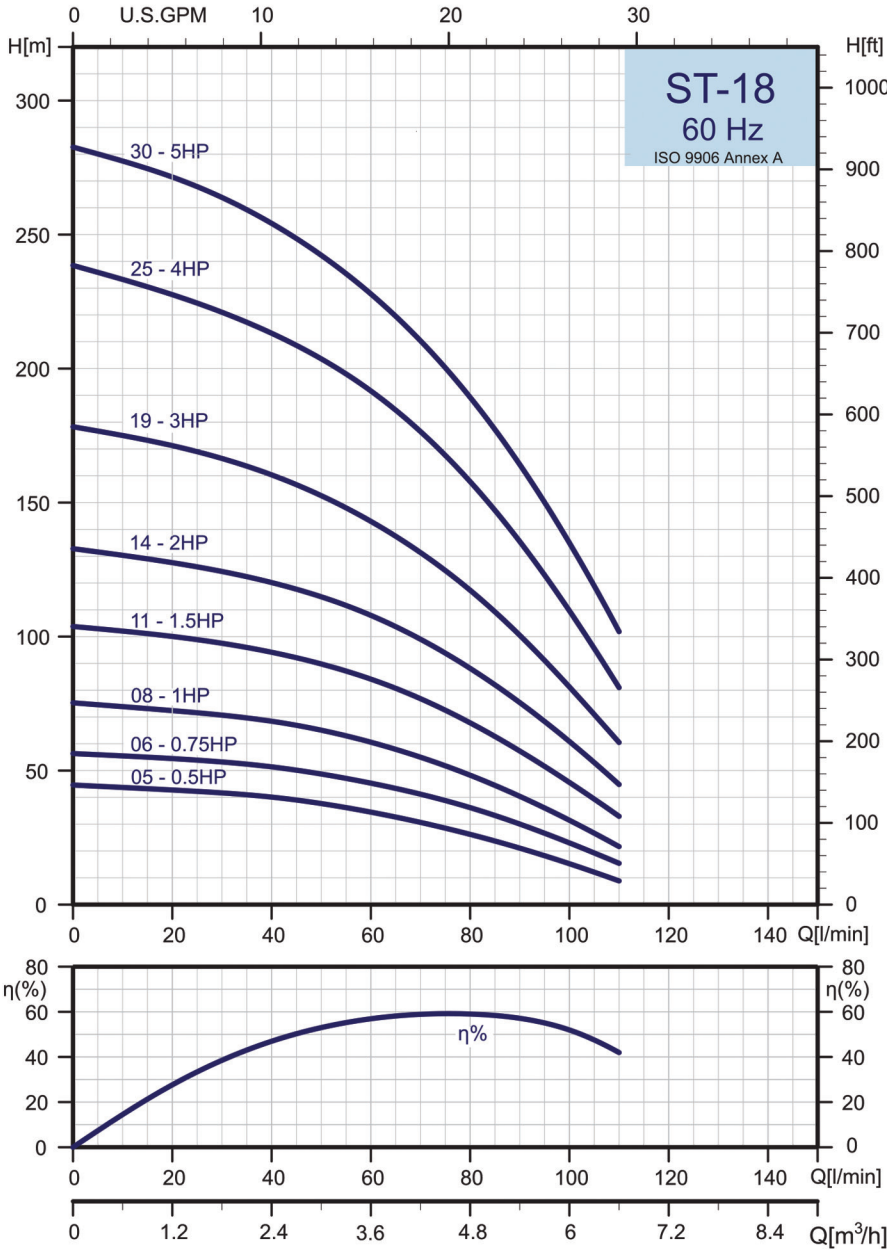
Three Phase Motor				
Dimensions and Weights				
Pump Type	Dimensions(mm)			
	A	B	C	D
ST-1305	236	RP/NPT 1 1/4"	98	566
ST-1307	271		98	617
ST-1310	324		98	689
ST-1312	359		98	739
ST-1317	447		98	852
ST-1321	519		98	959
ST-1328	679		98	1195
ST-1335	841		98	1448

Selection Chart

PUMP TYPE	STAGES	MOTOR		Q=DELIVERY											PUMP	ELECTRO PUMP	
				KW	HP	l/min	25	30	35	40	50	60	70	80		90	Net Weight(kg)
		H=TOTAL HEAD IN METERS											Single phase		Three phase		
		m³/h	0	1.5	1.8	2.1	2.4	3.0	3.6	4.2	4.8	5.4					
ST-1305	5	0.37	0.5	47		42	40	39	34	28	21	12		2.5	9.8	9.2	
ST-1307	7	0.55	0.75	67		61	59	57	50	41	31	19		2.8	11.0	10.2	
ST-1310	10	0.75	1.0	94		85	81	78	69	58	45	28		3.2	12.0	11.4	
ST-1312	12	1.1	1.5	116		109	106	102	91	78	60	38		3.5	13.5	12.4	
ST-1317	17	1.5	2.0	165		154	148	143	128	109	83	53		4.3	15.8	14.3	
ST-1321	21	2.2	3.0	204		193	187	180	162	139	110	72		5.0	19.0	16.6	
ST-1328	28	3.0	4.0	269		254	246	236	211	180	142	96		6.0	25.4	21.2	
ST-1335	35	3.7	5.0	327		312	304	292	264	223	175	117		8.6	31.3	28.2	



ST 4"



Single Phase Motor				
Dimensions and Weights				
Pump Type	Dimensions(mm)			
	A	B	C	D
ST-1805	257	RP/NPT 1 1/4"	98	603
ST-1806	279		98	644
ST-1808	322		98	702
ST-1811	387		98	792
ST-1814	452		98	892
ST-1819	560		98	1055
ST-1825	763		98	1370
ST-1830	865		98	1548

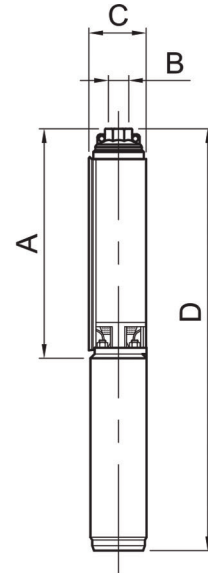
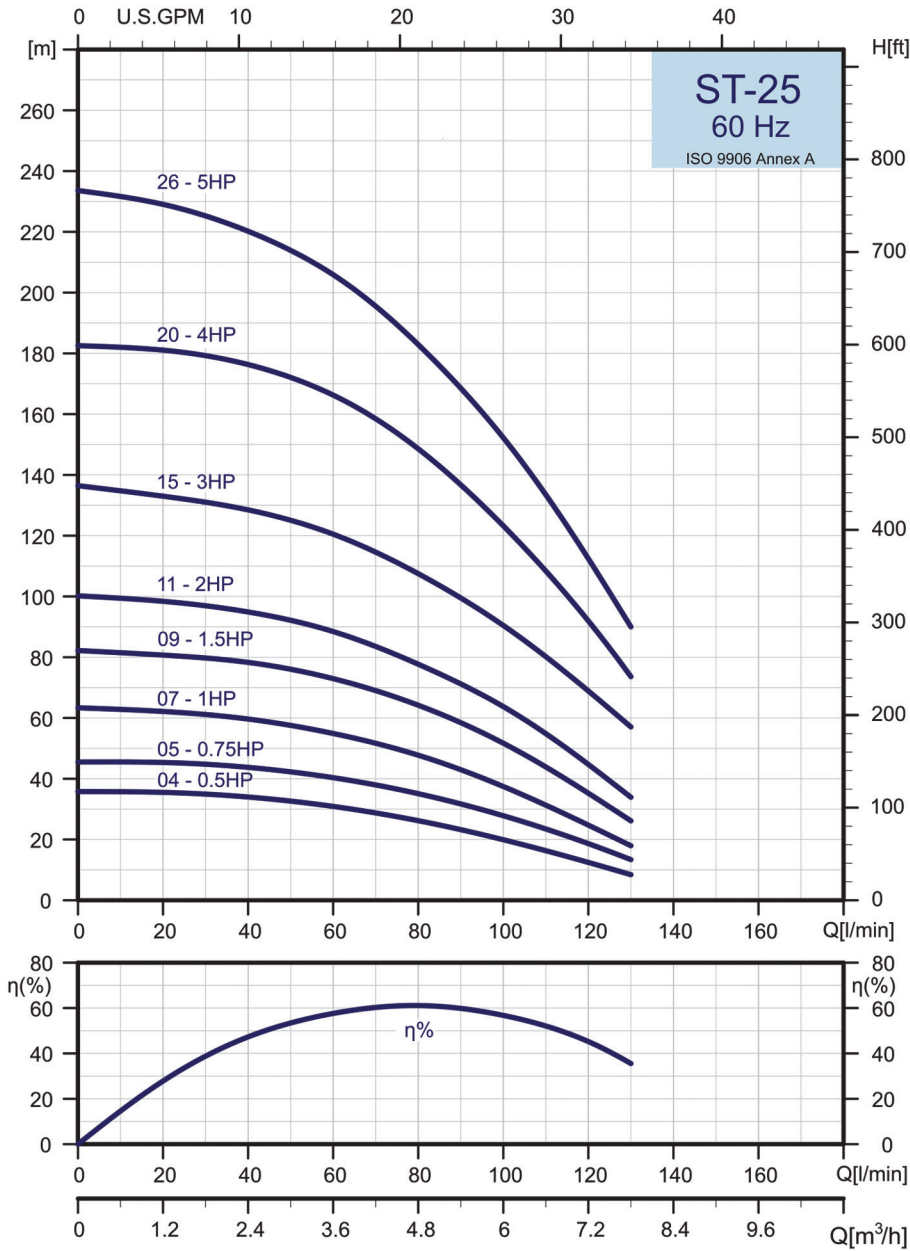
Three Phase Motor				
Dimensions and Weights				
Pump Type	Dimensions(mm)			
	A	B	C	D
ST-1805	257	RP/NPT 1 1/4"	98	587
ST-1806	279		98	625
ST-1808	322		98	687
ST-1811	387		98	767
ST-1814	452		98	857
ST-1819	560		98	1000
ST-1825	763		98	1279
ST-1830	865		98	1472

Selection Chart

PUMP TYPE	STAGES	MOTOR		Q=DELIVERY												PUMP	ELECTRO PUMP	
				H=TOTAL HEAD IN METERS													Single phase	Three phase
		KW	HP	l/min	30	35	40	50	60	70	80	90	100	110	120	Net Weight(kg)		
				m³/h	0	1.8	2.1	2.4	3.0	3.6	4.2	4.8	5.4	6.0	6.6	7.2		
ST-1805	5	0.37	0.5	45		41	40	38	35	31	27	21	15	9	2.7	10.0	9.4	
ST-1806	6	0.55	0.75	56		53	52	49	45	41	37	30	23	16	2.8	11.0	10.2	
ST-1808	8	0.75	1.0	75		70	68	65	61	55	49	41	32	22	3.1	11.9	11.3	
ST-1811	11	1.1	1.5	104		96	94	90	84	77	68	58	46	33	3.6	13.6	12.5	
ST-1814	14	1.5	2.0	133		123	120	115	108	99	88	75	61	45	4.1	15.6	14.1	
ST-1819	19	2.2	3.0	178		164	160	153	143	131	117	100	81	61	4.9	18.9	16.5	
ST-1825	25	3.0	4.0	238		217	213	204	192	176	158	136	110	81	6.9	26.3	22.1	
ST-1830	30	3.7	5.0	283		260	254	242	228	210	189	164	135	102	8.1	30.8	27.6	



ST 4"



Single Phase Motor Dimensions and Weights				
Pump Type	Dimensions(mm)			
	A	B	C	D
ST-2504	247	RP/NPT 1 1/2"	98	593
ST-2505	272		98	637
ST-2507	320		98	700
ST-2509	370		98	775
ST-2511	419		98	859
ST-2515	518		98	1013
ST-2520	679		98	1286
ST-2526	864		98	1547

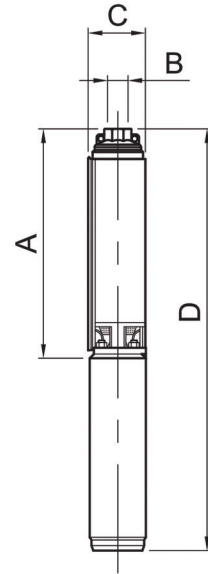
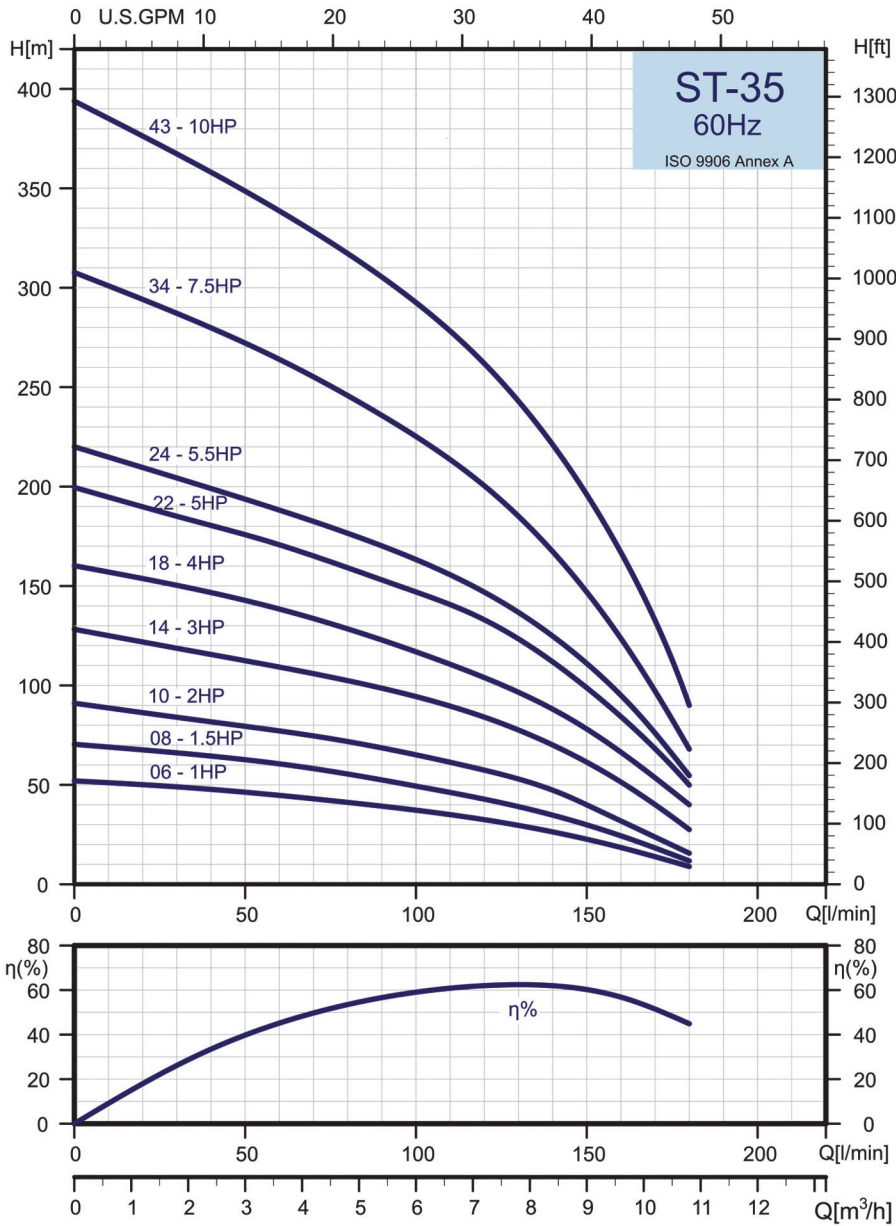
Three Phase Motor Dimensions and Weights				
Pump Type	Dimensions(mm)			
	A	B	C	D
ST-2504	247	RP/NPT 1 1/2"	98	577
ST-2505	272		98	618
ST-2507	320		98	685
ST-2509	370		98	750
ST-2511	419		98	824
ST-2515	518		98	958
ST-2520	679		98	1195
ST-2526	864		98	1491

Selection Chart

PUMP TYPE	STAGES	MOTOR		Q=DELIVERY										PUMP	ELECTRO PUMP		
				H=TOTAL HEAD IN METERS												Single phase	Three phase
		KW	HP	l/min	0	40	50	60	70	80	90	100	120	140	Net Weight(kg)		
				m ³ /h	0	2.4	3.0	3.6	4.2	4.8	5.4	6.0	7.2	8.4			
ST-2504	4	0.37	0.5	36		33	31	29	27	23	20	12		2.4	9.7	9.1	
ST-2505	5	0.55	0.75	46		42	40	38	35	32	28	19		2.6	10.8	10	
ST-2507	7	0.75	1.0	63		58	55	52	48	43	37	25		3.1	11.9	11.3	
ST-2509	9	1.1	1.5	82		76	73	69	64	58	52	35		3.5	13.5	12.4	
ST-2511	11	1.5	2.0	100		92	88	84	78	71	64	45		3.9	15.4	13.9	
ST-2515	15	2.2	3.0	136		125	121	115	107	100	90	69		4.7	18.7	16.3	
ST-2520	20	3	4.0	183		172	166	158	148	137	122	92		5.8	25.2	21.0	
ST-2526	26	3.7	5.0	234		214	206	196	183	169	152	112		8.1	30.8	27.6	



ST 4"



Single Phase Motor				
Dimensions and Weights				
Pump Type	Dimensions(mm)			
	A	B	C	D
ST-3506	359	RP/NPT 2"	98	739
ST-3508	421		98	826
ST-3510	483		98	923
ST-3514	607		98	1102
ST-3518	731		98	1338
ST-3522	893		98	1576
ST-3524	993		98	1676
ST-3534	1295		98	N/A
ST-3543	1356		98	N/A

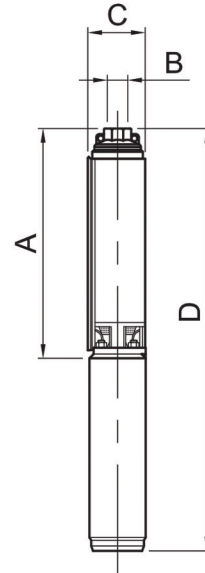
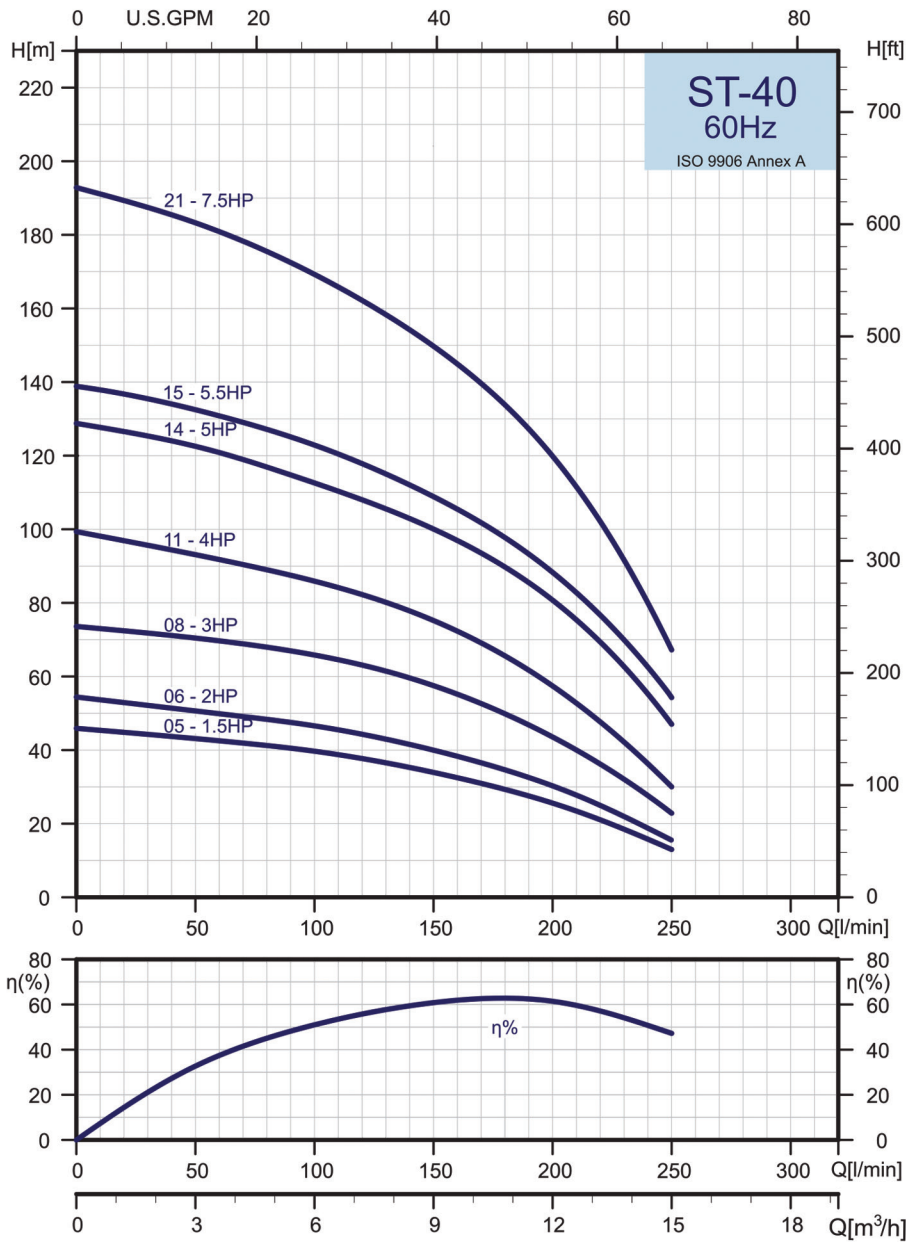
Three Phase Motor				
Dimensions and Weights				
Pump Type	Dimensions(mm)			
	A	B	C	D
ST-3506	359	RP/NPT 2"	98	724
ST-3508	421		98	801
ST-3510	483		98	888
ST-3514	607		98	1047
ST-3518	731		98	1247
ST-3522	893		98	1500
ST-3524	993		98	1600
ST-3534	1295		98	1978
ST-3543	1356		98	2140

Selection Chart

PUMP TYPE	STAGES	MOTOR		Q=DELIVERY													PUMP	ELECTRO PUMP		
				KW	HP	l/min	0	50	60	70	80	90	100	120	140	160		180	200	Net Weight(kg)
		H=TOTAL HEAD IN METERS																	Single phase	Three phase
		m ³ /h	0	3.0	3.6	4.2	4.8	5.4	6.0	7.2	8.4	9.6	10.8	12						
ST-3506	6	0.75	1.0	52		44	43	42	40	38	33	27	18	9		3.4	12.2	11.6		
ST-3508	8	1.1	1.5	70		60	58	55	52	50	43	35	24	12		4.0	14.0	12.9		
ST-3510	10	1.5	2.0	91		77	75	72	69	65	58	48	32	17		4.6	16.1	14.6		
ST-3514	14	2.2	3.0	128		109	106	102	99	94	83	70	51	29		5.7	19.7	17.3		
ST-3518	18	3.0	4.0	160		139	133	129	123	117	104	89	67	40		6.9	26.3	22.1		
ST-3522	22	3.7	5	200		170	165	159	152	147	132	111	84	50		8.1	30.8	27.6		
ST-3524	24	4.0	5.5	220		189	182	177	170	162	148	125	95	55		9.7	32.5	29.2		
ST-3534	34	5.5	7.5	308		263	255	246	236	225	200	167	122	69		12.6	N/A	35.7		
ST-3543	43	7.5	10	394		339	328	317	305	292	261	220	167	90		15.2	N/A	42.7		



ST 4"



Single Phase Motor				
Dimensions and Weights				
Pump Type	Dimensions(mm)			
	A	B	C	D
ST-4005	325	RP/NPT 2"	98	730
ST-4006	356		98	796
ST-4008	418		98	913
ST-4011	511		98	1118
ST-4014	604		98	1287
ST-4015	638		98	1321
ST-4021	859		98	N/A

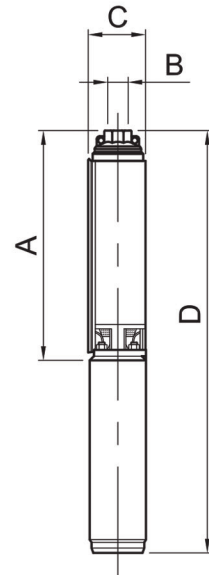
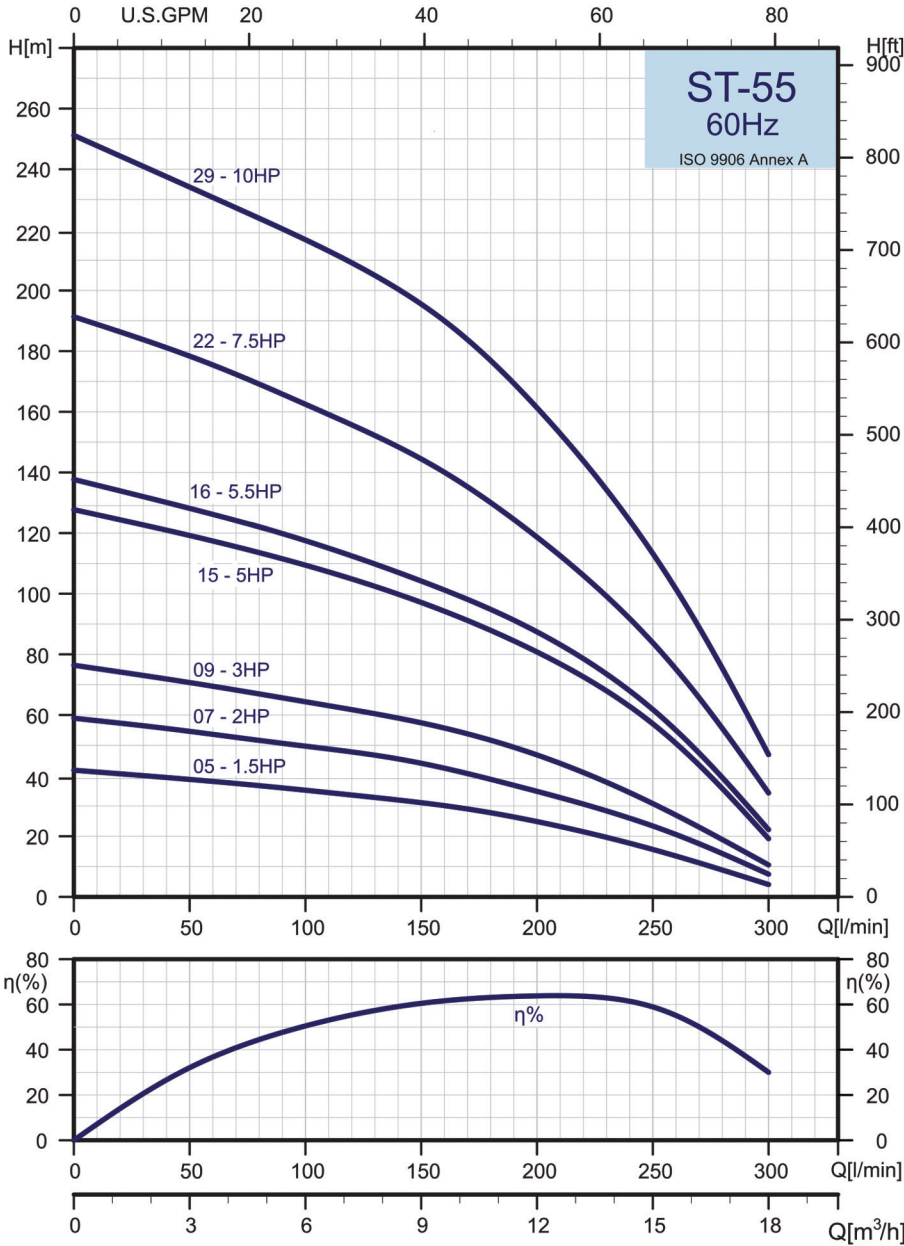
Three Phase Motor				
Dimensions and Weights				
Pump Type	Dimensions(mm)			
	A	B	C	D
ST-4005	325	RP/NPT 2"	98	705
ST-4006	356		98	761
ST-4008	418		98	858
ST-4011	511		98	1027
ST-4014	604		98	1211
ST-4015	638		98	1245
ST-4021	859		98	1542

Selection Chart

PUMP TYPE	STAGES	MOTOR		Q=DELIVERY													PUMP	ELECTRO PUMP	
				l/min	60	70	80	90	100	120	140	160	180	200	250	280		Net Weight(kg)	Single phase
		m ³ /h	3.6	4.2	4.8	5.4	6.0	7.2	8.4	9.6	10.8	12	15	16.8					
		H=TOTAL HEAD IN METERS																	
ST-4005	5	1.1	1.5	46		42	41	40	39	37	35	33	29	25	14		3.1	13.1	12.0
ST-4006	6	1.5	2.0	55		49	48	47	47	45	42	38	35	30	17		3.4	14.9	13.4
ST-4008	8	2.2	3.0	74		69	68	67	66	63	60	56	50	43	24		4.0	18.0	15.6
ST-4011	11	3.0	4.0	100		91	88	87	86	83	78	73	66	58	30		4.9	24.3	20.1
ST-4014	14	3.7	5.0	129		118	116	115	113	108	103	97	90	81	48		5.7	28.4	25.2
ST-4015	15	4.0	5.5	139		128	126	125	123	118	113	105	97	88	55		6.0	28.8	25.5
ST-4021	21	5.5	7.5	194		178	175	173	169	162	154	145	134	120	68		7.8	N/A	30.9



ST 4"



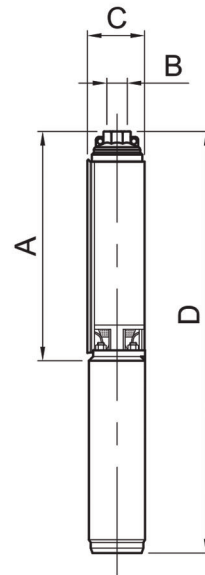
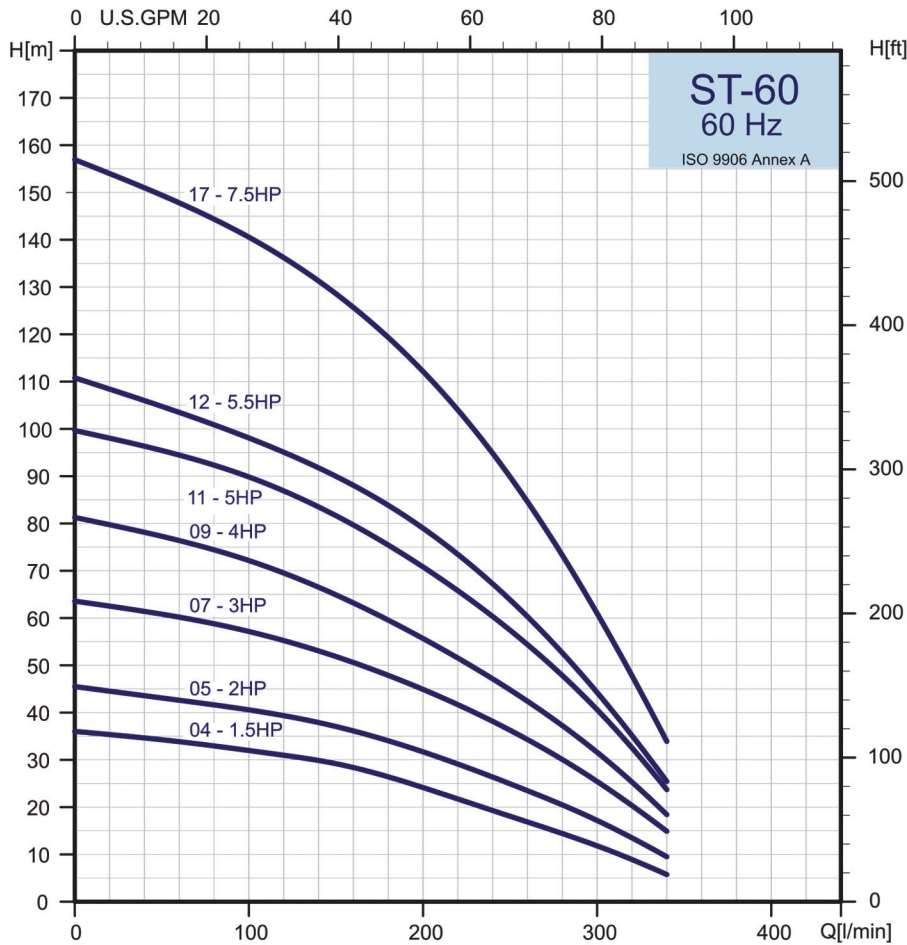
Single Phase Motor				
Dimensions and Weights				
Pump Type	Dimensions(mm)			
	A	B	C	D
ST-5505	433	RP/NPT 2"	98	838
ST-5507	537		98	977
ST-5509	641		98	1136
ST-5515	953		98	1636
ST-5516	1005		98	1612
ST-5522	1383		98	N/A
ST-5529	1746		98	N/A

Three Phase Motor				
Dimensions and Weights				
Pump Type	Dimensions(mm)			
	A	B	C	D
ST-5505	433	RP/NPT 2"	98	813
ST-5507	537		98	942
ST-5509	641		98	1081
ST-5515	953		98	1560
ST-5516	1005		98	1612
ST-5522	1383		98	2066
ST-5529	1746		98	2529

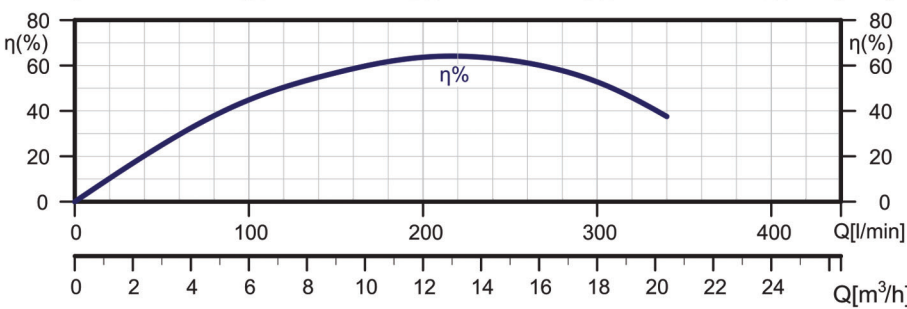
PUMP TYPE	STAGES	MOTOR		Q=DELIVERY																	PUMP	ELECTRO PUMP	
				KW	HP	l/min	70	80	90	100	120	140	160	180	200	220	240	260	280	300		340	Net Weight(kg)
		H=TOTAL HEAD IN METERS																	Single phase	Three phase			
		m³/h	4.2	4.8	5.4	6.0	7.2	8.4	9.6	10.8	12	13.2	14.4	15.6	16.8	18	20.4						
ST-5505	5	1.1	1.5	42		38	37	36	34	32	30	28	25	22	18	14	9	5		4.3	14.3	13.2	
ST-5507	7	1.5	2.0	59		52	51	50	48	46	43	40	36	31	26	21	15	8		5.3	16.8	15.3	
ST-5509	9	2	3.0	76		67	66	64	62	59	56	52	47	42	35	28	19	11		6.2	20.2	17.8	
ST-5515	15	3.7	5.0	128		113	112	109	105	100	94	88	80	72	63	51	37	20		9.0	31.7	28.5	
ST-5516	16	4.0	5.5	137		122	120	117	112	107	101	95	88	79	68	55	40	23		9.5	32.3	29.0	
ST-5522	22	5.5	7.5	191		169	166	162	156	149	140	131	118	106	91	75	55	35		13.3	N/A	36.4	
ST-5529	29	7.5	10	251		225	221	218	209	200	190	177	161	144	125	101	75	48		16.6	N/A	44.1	



ST 4"



Single Phase Motor				
Dimensions and Weights				
Pump Type	Dimensions(mm)			
	A	B	C	D
ST-6004	378	RP/NPT 2"	98	783
ST-6005	430		98	870
ST-6007	534		98	1029
ST-6009	638		98	1245
ST-6011	742		98	1425
ST-6012	797		98	1480
ST-6017	1092		98	N/A



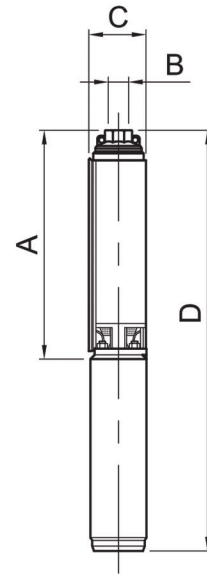
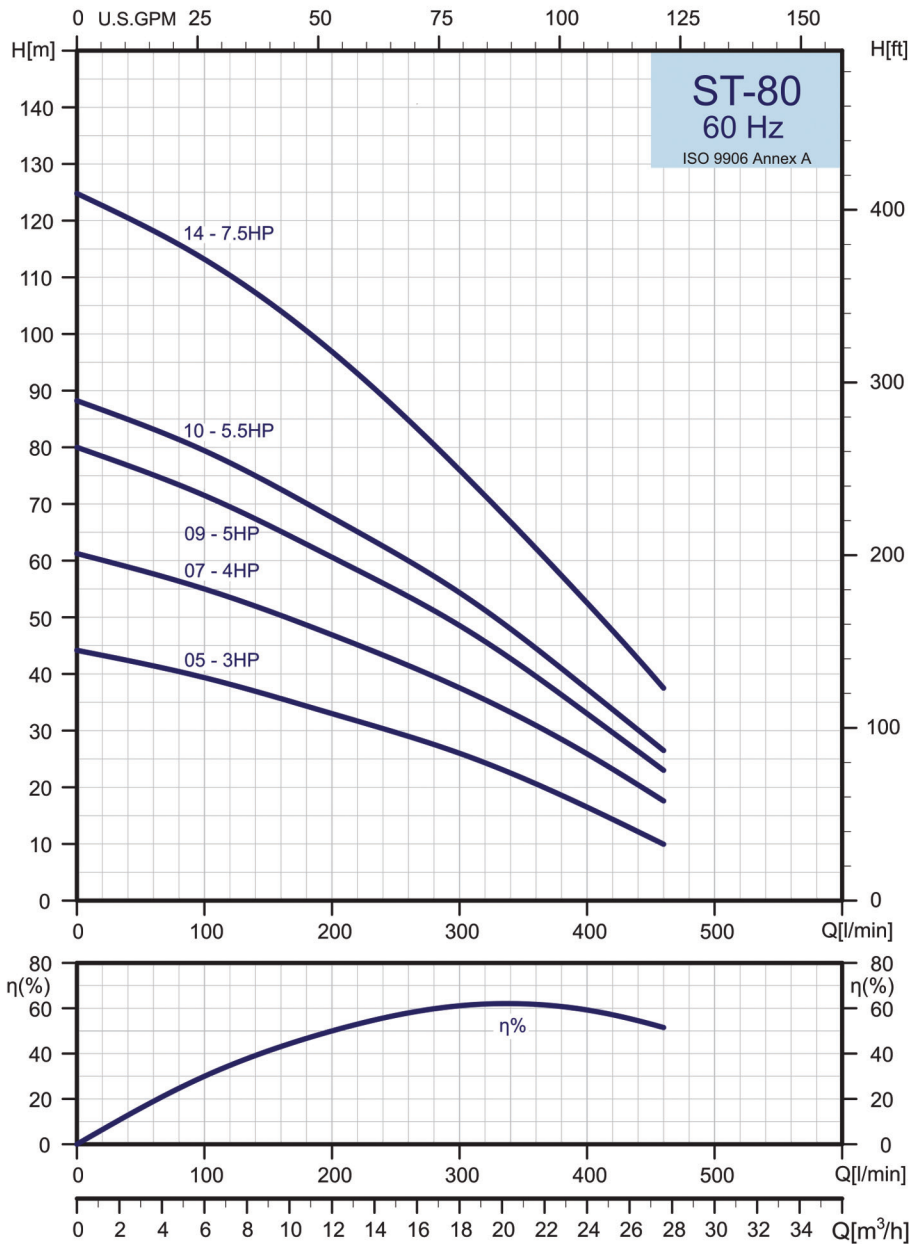
Three Phase Motor				
Dimensions and Weights				
Pump Type	Dimensions(mm)			
	A	B	C	D
ST-6004	378	RP/NPT 2"	98	758
ST-6005	430		98	835
ST-6007	534		98	974
ST-6009	638		98	1154
ST-6011	742		98	1349
ST-6012	797		98	1404
ST-6017	1092		98	1775

Selection Chart

PUMP TYPE	STAGES	MOTOR		Q=DELIVERY																PUMP	ELECTRO PUMP	
				KW	HP	l/min	90	100	120	140	160	180	200	220	240	260	280	300	340		380	Net Weight(kg)
		H=TOTAL HEAD IN METERS																		Single phase	Three phase	
		m³/h	0	5.4	6.0	7.2	8.4	9.6	10.8	12	13.2	14.4	15.6	16.8	18	20.4	22.8					
ST-6004	4	1.1	1.5	36		32	31	30	28	26	24	22	19	17	14	12	6		3.9	13.9	12.8	
ST-6005	5	1.5	2.0	46		41	39	37	36	34	32	29	26	23	20	17	9		4.4	15.9	14.4	
ST-6007	7	2.2	3.0	64		57	55	53	51	48	45	42	38	34	30	25	15		5.3	19.3	16.9	
ST-6009	9	3.0	4.0	82		72	69	67	64	60	56	52	47	42	37	32	18		6.3	25.7	21.5	
ST-6011	11	3.7	5.0	100		90	87	83	80	75	71	67	60	54	48	41	24		7.2	29.9	26.7	
ST-6012	12	4.0	5.5	110		98	95	92	88	84	78	73	67	60	55	44	26		7.7	30.5	27.2	
ST-6017	17	5.5	7.5	157		140	136	131	126	119	112	104	95	85	73	61	35		10.1	N/A	33.2	



ST 4"



Single Phase Motor				
Dimensions and Weights				
Pump Type	Dimensions(mm)			
	A	B	C	D
ST-8005	472	RP/NPT 2"	98	967
ST-8007	608		98	1215
ST-8009	743		98	1426
ST-8010	814		98	1497
ST-8014	1081		98	N/A

Three Phase Motor				
Dimensions and Weights				
Pump Type	Dimensions(mm)			
	A	B	C	D
ST-8005	472	RP/NPT 2"	98	912
ST-8007	608		98	1124
ST-8009	743		98	1350
ST-8010	814		98	1421
ST-8014	1081		98	1764

Selection Chart

PUMP TYPE	STAGES	MOTOR		Q=DELIVERY																PUMP	ELECTRO PUMP	
				l/min	0	140	160	180	200	220	240	260	280	300	340	380	420	460	500		Net Weight(kg)	
		KW	HP	m³/h	0	8.4	9.6	10.8	12	13.2	14.4	15.6	16.8	18	20.4	22.8	25.2	27.6	30	Single phase	Three phase	
		H=TOTAL HEAD IN METERS																				
ST-8005	5	2.2	3.0	44		36	34	33	32	30	29	28	26	23	19	14	10		4.4	18.4	16.0	
ST-8007	7	3.0	4.0	61		50	49	47	45	43	41	40	38	33	28	23	18		5.6	25.0	20.8	
ST-8009	9	3.7	5.0	80		65	63	61	58	56	54	51	49	43	36	30	23		6.9	29.6	26.4	
ST-8010	10	4.0	5.5	88		73	70	68	65	63	60	57	54	48	41	34	27		7.5	30.3	27.0	
ST-8014	14	5.5	7.5	126		104	101	97	93	89	85	80	76	67	62	48	38		9.9	N/A	33.0	



Description

The 6" submersible pumps for high pressures and flow rates, particularly equipped with a high rigidity **Silicon-Carbide(SiC) Bearing**, provide reliability and quality guaranteed.

Discharge Head and Motor

Adaptor are precision machined cast 304 stainless steel for superior strength and durability. The motor adaptor is NEMA standard.

Impellers are floating type made

with Noryl[®] for a superior sand handling.

Together with glass filled polycarbonate diffusers make the super strong pumps for maximum wear and abrasive resistance. The materials are FDA compliant materials.

Impeller Bowls are made from 304 stainless steel, maximizing wear from abrasion.

Shaft Coupling is made from 304 stainless steel for easy alignment to the motor shaft.

Strainer is made from stamped 304 stainless steel for rigidity.

Non-Return valve made from 304 stainless steel, fitted in the discharge to prevent any back flow of water and alleviate any water hammer to the pumps.

Pump Shaft is made from hex 304 stainless steel bar material for high corrosion resistance.

Pump body is covered by a thick 304 stainless steel casing, ensures optimum resistance to abrasion.

APPLICATIONS

- Water Supply
- Irrigation
- Pressure Boosting

GENERAL SPECIFICATIONS

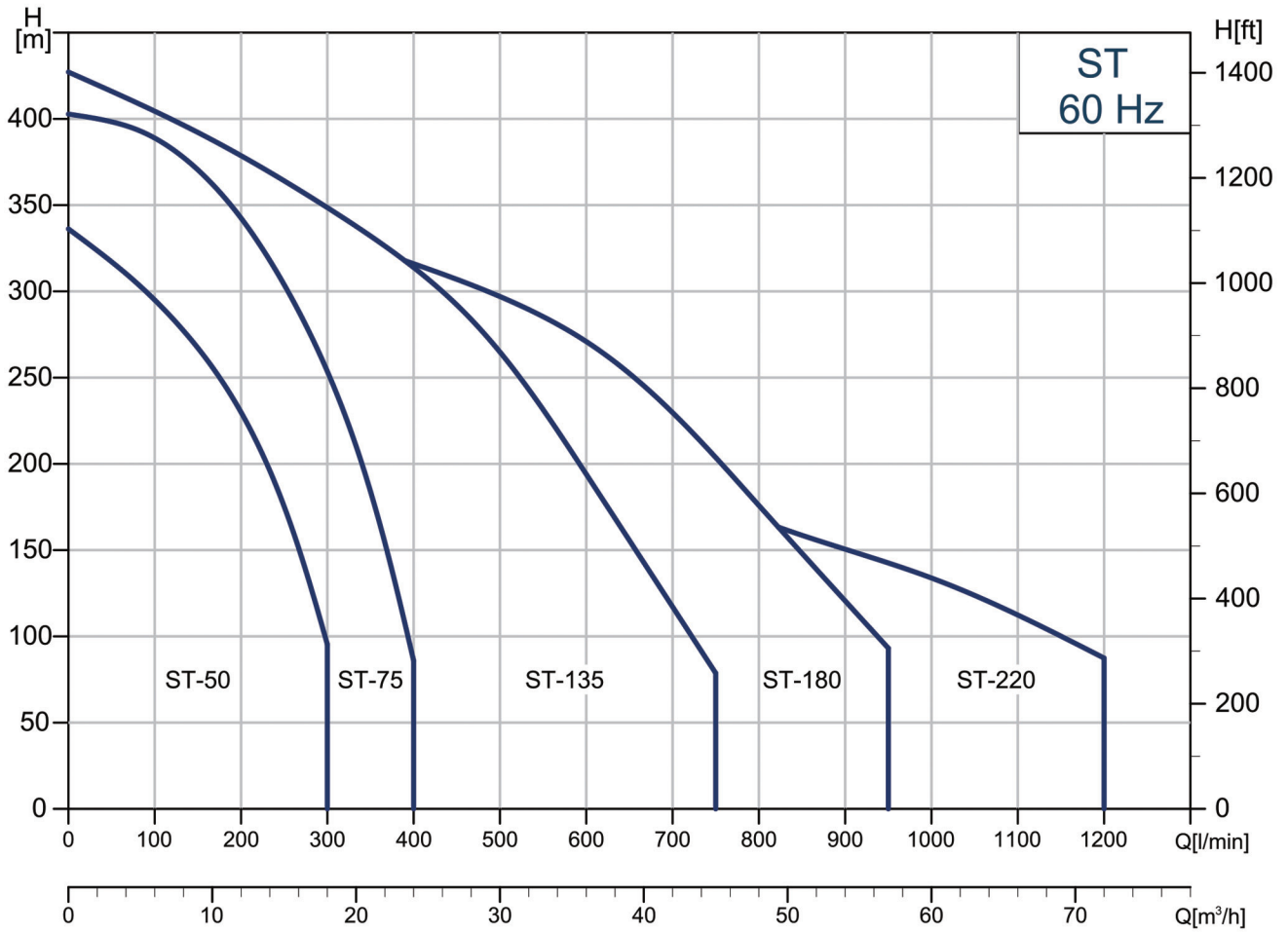
PUMP

- Delivery: up to 72 m³/h at 3450 rpm
- Head: up to 430 m at 3450 rpm
- Maximum permissible quantity of sand: 50g/m³
- ST 50-ST75-ST135-ST180-ST220 models 3" discharge.

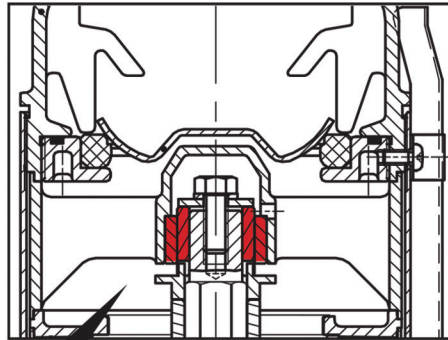
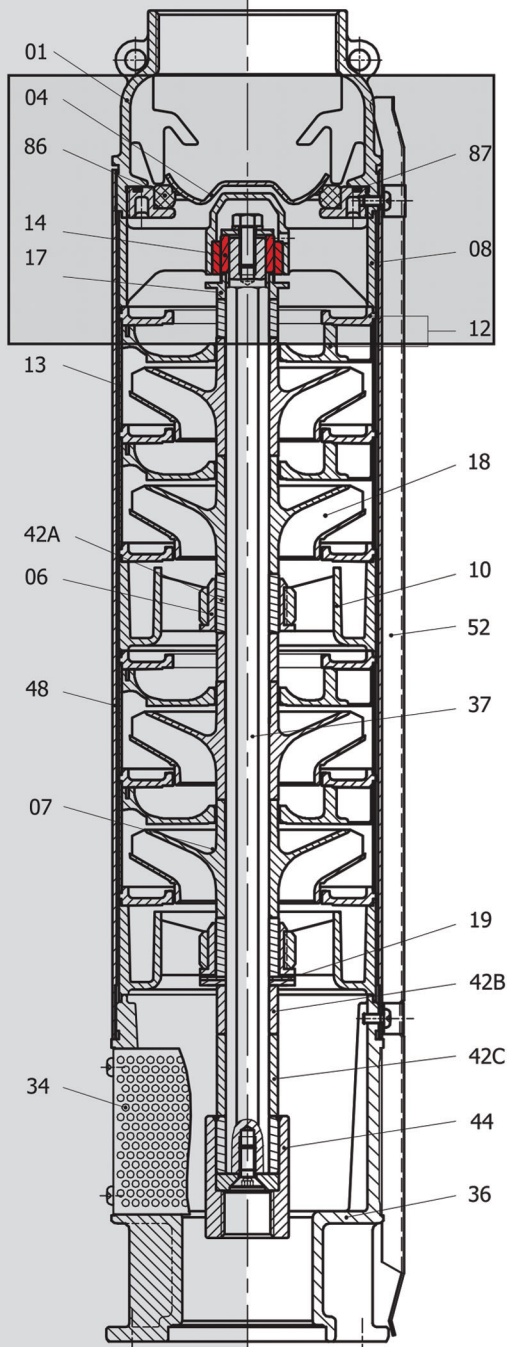


Performance range

ST 6"



ST 6"

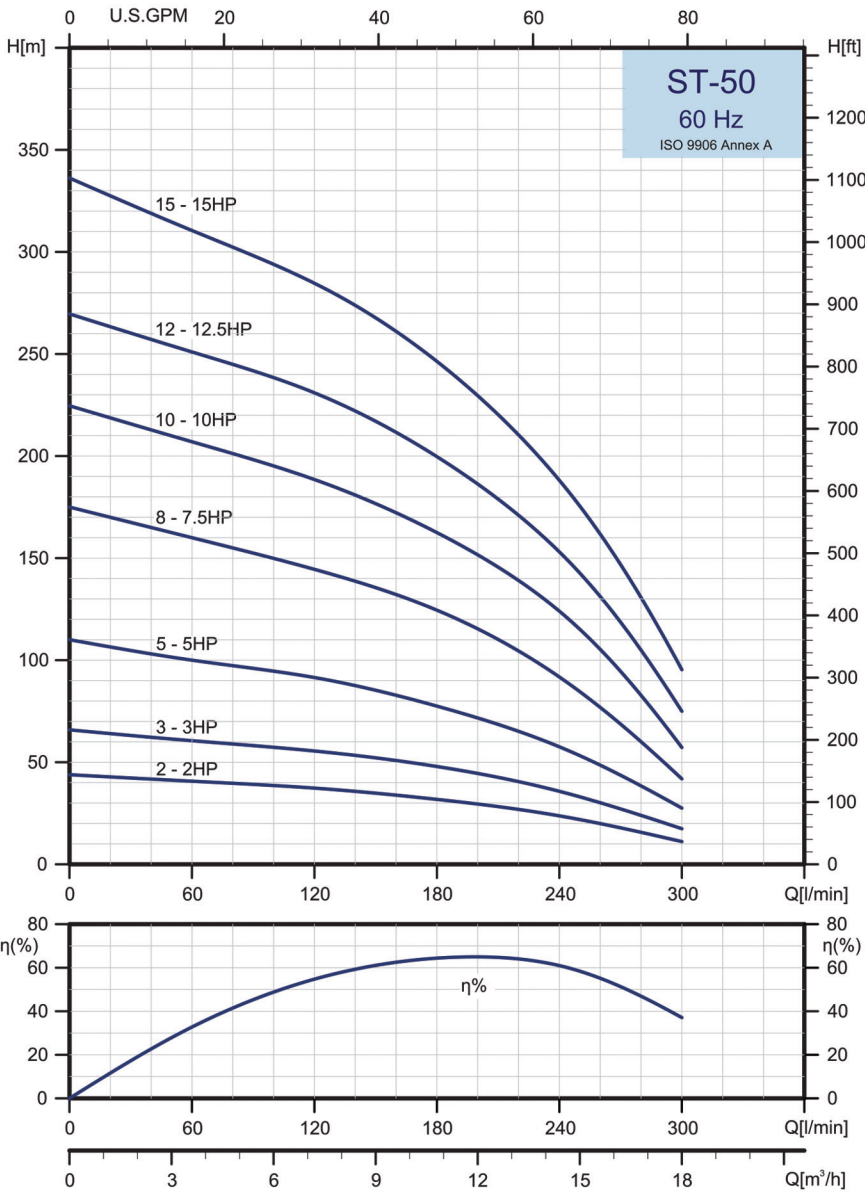


High rigidity **Silicon-Carbide(SiC) Bearing** ensure high corrosion resistance and provide long and dependable service life.

Pos.	Part Name	Material
01	Discharge	AISI 304
04	Valve cone	AISI 304
06	Bearing	POM+PTFE
07	Bearing	Bronze
08	Upper bearing spider	AISI 304 + Silicon carbide
10	Bearing Spider	Noryl
12	Diffuser	Glass Filled Polycarbonate
13	Diffuser casing	AISI 304
14	Bearing ring	Silicon carbide
17	Sleeve for boffle	AISI 304
18	Impeller	Noryl
19	Counter thrust bearing plate	Carbon fiber + PTFE
34	Strainer	AISI 304
36	Suction interconnector	AISI 304
37	Pump shaft	AISI 304
42A	Shaft sleeve	AISI 304
42B	Shaft sleeve	Noryl
42C	Shaft sleeve	Noryl
44	Coupling	AISI 304
48	Pump casing	AISI 304
52	Cable guard	AISI 304
86	Valve Seat	AISI 304 + NBR
87	O-ring	NBR



ST 6"

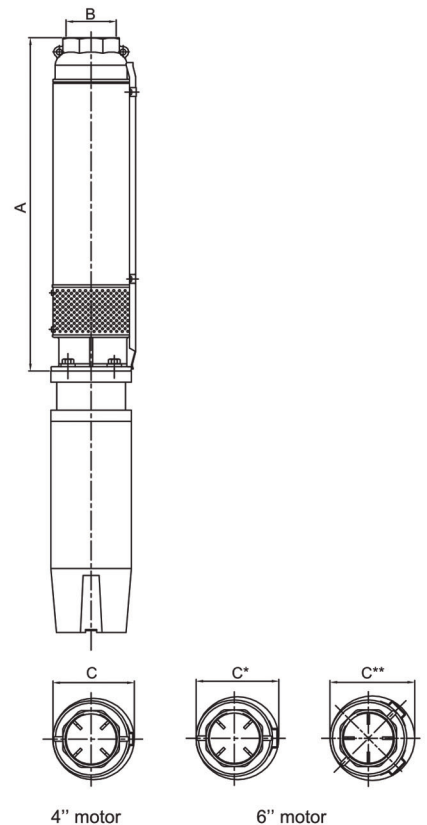


Product data

Pump Type	HP	Q(GPM)	H(ft)	Hmax(ft)
ST 50-02	2	50	101	144
ST 50-03	3	50	153	217
ST 50-05	5	50	246	361
ST 50-08	7.5	50	396	575
ST 50-10	10	50	518	737
ST 50-12	12.5	50	636	885
ST 50-15	15	50	784	1103

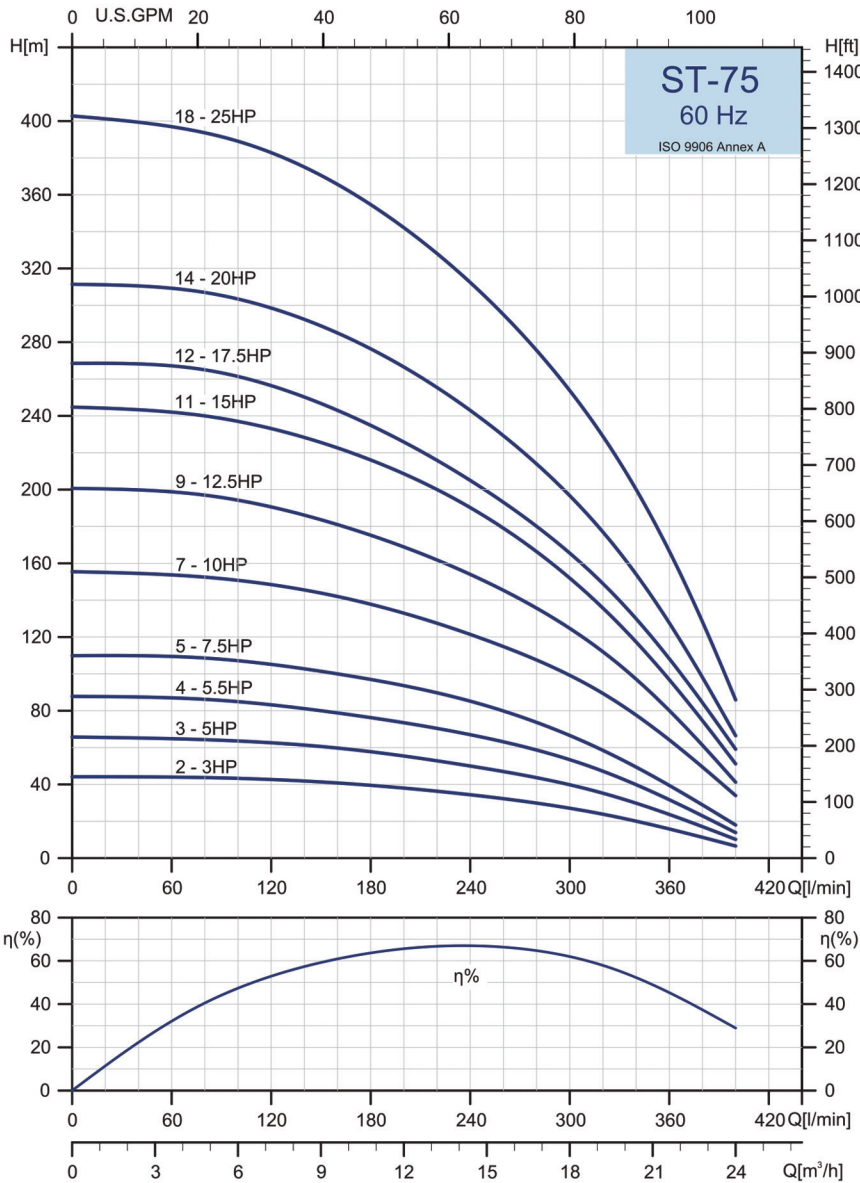
Dimensions and weights

Pump type	Motor			Dimensions(mm)					Weight(kg)
	Power		Type	A	B	C	C'	C**	
	kW	HP							Pump
ST 50-2	1.5	2	4"	425	NPT3' RP3'	138			8.2
ST 50-3	2.2	3	4"	463		138			8.9
ST 50-5	3.7	5	4"	539		138			10.3
ST 50-8	5.5	7.5	4"	653		138			12.5
ST 50-10	7.5	10	4"	729		138			13.8
ST 50-8	5.5	7.5	6"	667			141	144	13.2
ST 50-10	7.5	10	6"	743			141	144	14.6
ST 50-12	9.3	12.5	6"	819			141	144	15.9
ST 50-15	11	15	6"	933		141	144	17.8	





ST 6"

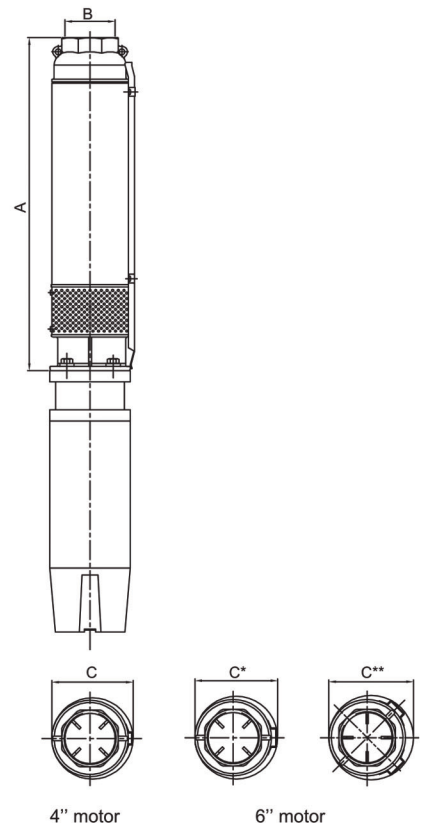


Product data

Pump Type	HP	Q(GPM)	H(ft)	Hmax(ft)
ST 75-02	3	75	97	145
ST 75-03	5	75	141	216
ST 75-04	5.5	75	190	288
ST 75-05	7.5	75	238	361
ST 75-07	10	75	348	510
ST 75-09	12.5	75	439	659
ST 75-11	15	75	538	804
ST 75-12	17.5	75	582	881
ST 75-14	20	75	692	1022
ST 75-18	25	75	891	1322

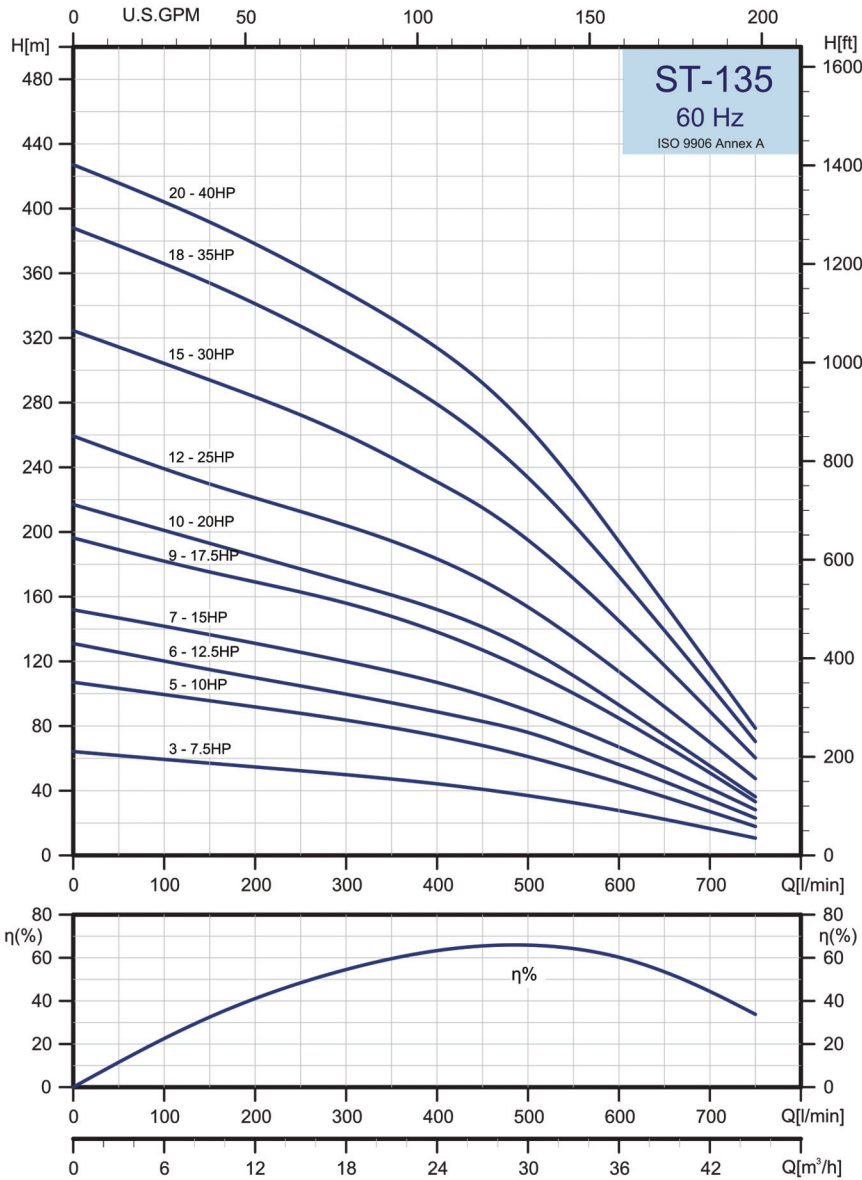
Dimensions and weights

Pump type	Motor		Type	Dimensions(mm)					Weight(kg)	
	Power			A	B	C	C'	C**		
	kW	HP							Pump	
ST 75-2	2.2	3	4"	425	NPT3"	138			8.2	
ST 75-3	3.7	5	4"	463		138			8.9	
ST 75-4	4	5.5	4"	501		138			9.6	
ST 75-5	5.5	7.5	4"	539		138			10.3	
ST 75-7	7.5	10	4"	615		138			11.7	
ST 75-5	5.5	7.5	6"	553			141	144	11.1	
ST 75-7	7.5	10	6"	629		RP3"		141	144	12.5
ST 75-9	9.3	12.5	6"	705				141	144	13.9
ST 75-11	11	15	6"	781				141	144	15.2
ST 75-12	13	17.5	6"	819				141	144	15.8
ST 75-14	15	20	6"	895			141	144	17.2	
ST 75-18	18.5	25	6"	1047			141	144	19.9	





ST 6"

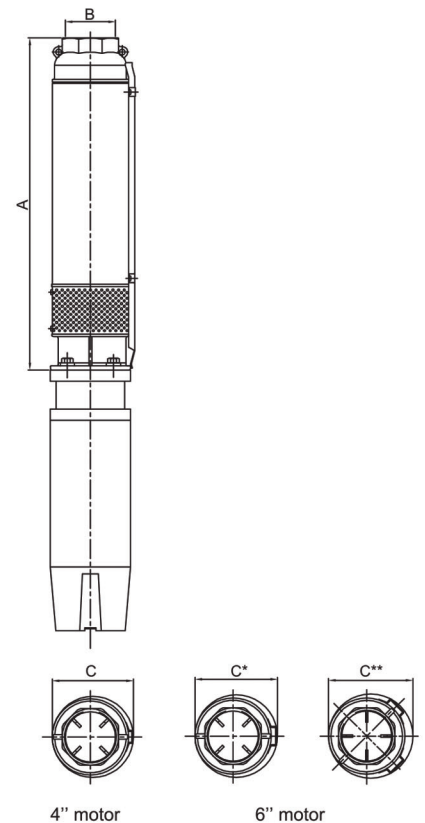


Product data

Pump Type	HP	Q(GPM)	H(ft)	Hmax(ft)
ST 135-03	7.5	135	119	211
ST 135-05	10	135	195	352
ST 135-06	12.5	135	244	430
ST 135-07	15	135	287	499
ST 135-09	17.5	135	366	645
ST 135-10	20	135	408	712
ST 135-12	25	135	491	851
ST 135-15	30	135	624	1065
ST 135-18	35	135	747	1273
ST 135-20	40	135	846	1402

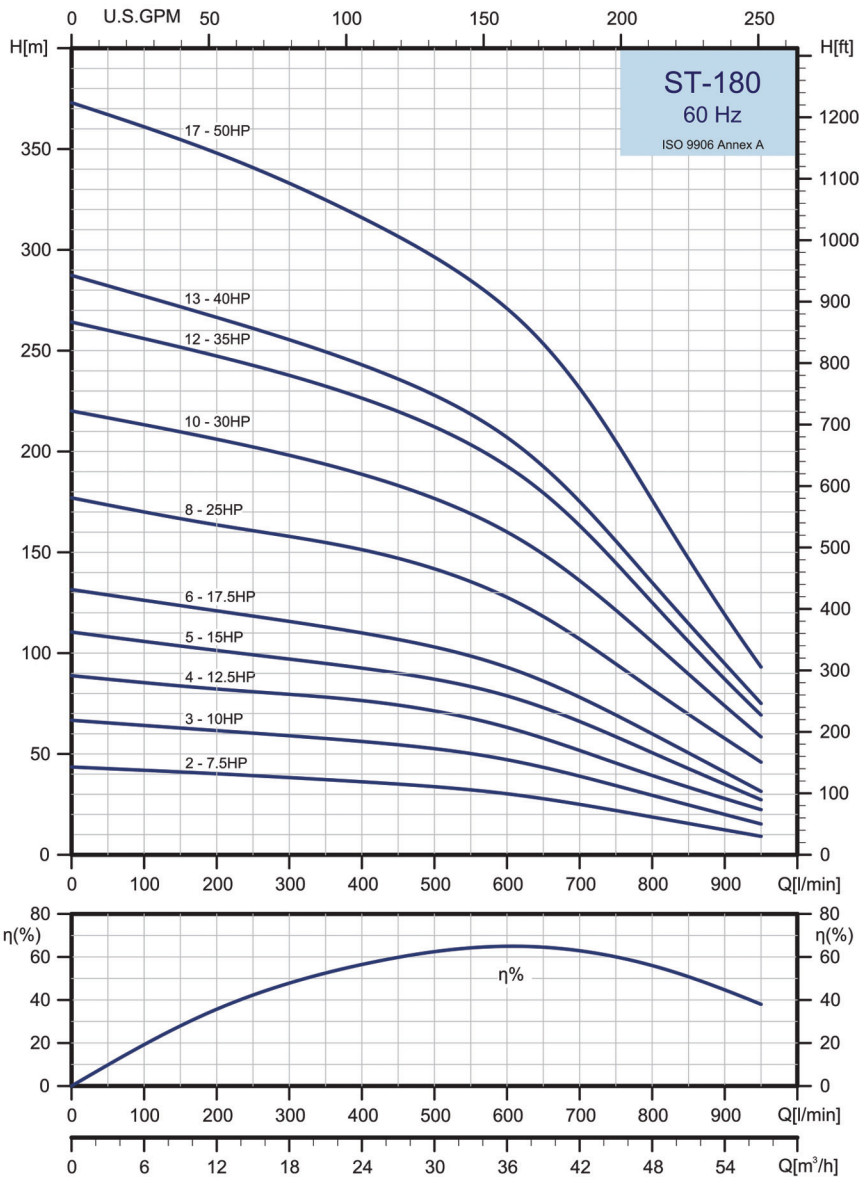
Dimensions and weights

Pump type	Motor		Type	Dimensions(mm)					Weight(kg)	
	kW	HP		A	B	C	C*	C**		
ST 135-3	5.5	7.5	4"	520	NPT3" RP3"	138			Pump	9.9
ST 135-5	7.5	10	4"	634		138			11.8	
ST 135-3	5.5	7.5	6"	534				141	144	10.7
ST 135-5	7.5	10	6"	648				141	144	12.5
ST 135-6	9.3	12.5	6"	705				141	144	13.5
ST 135-7	11	15	6"	762				141	144	14.4
ST 135-9	13	17.5	6"	876				141	144	16.1
ST 135-10	15	20	6"	933				141	144	17
ST 135-12	18.5	25	6"	1047				141	144	18.9
ST 135-15	22	30	6"	1218				141	144	21.6
ST 135-18	26	35	6"	1389				141	144	24.3
ST 135-20	30	40	6"	1555				141	144	27





ST 6"

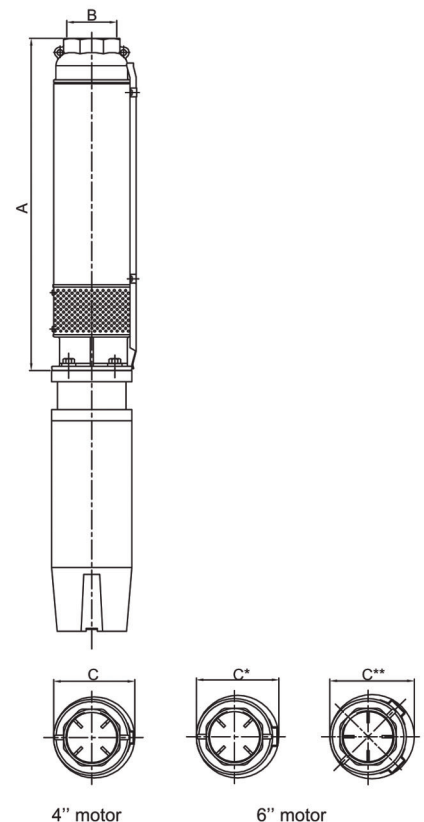


Product data

Pump Type	HP	Q(GPM)	H(ft)	Hmax(ft)
ST 180-02	7.5	180	86	143
ST 180-03	10	180	134	220
ST 180-04	12.5	180	178	292
ST 180-05	15	180	226	363
ST 180-06	17.5	180	267	432
ST 180-08	25	180	366	581
ST 180-10	30	180	463	723
ST 180-12	35	180	557	867
ST 180-13	40	180	598	943
ST 180-17	50	180	788	1224

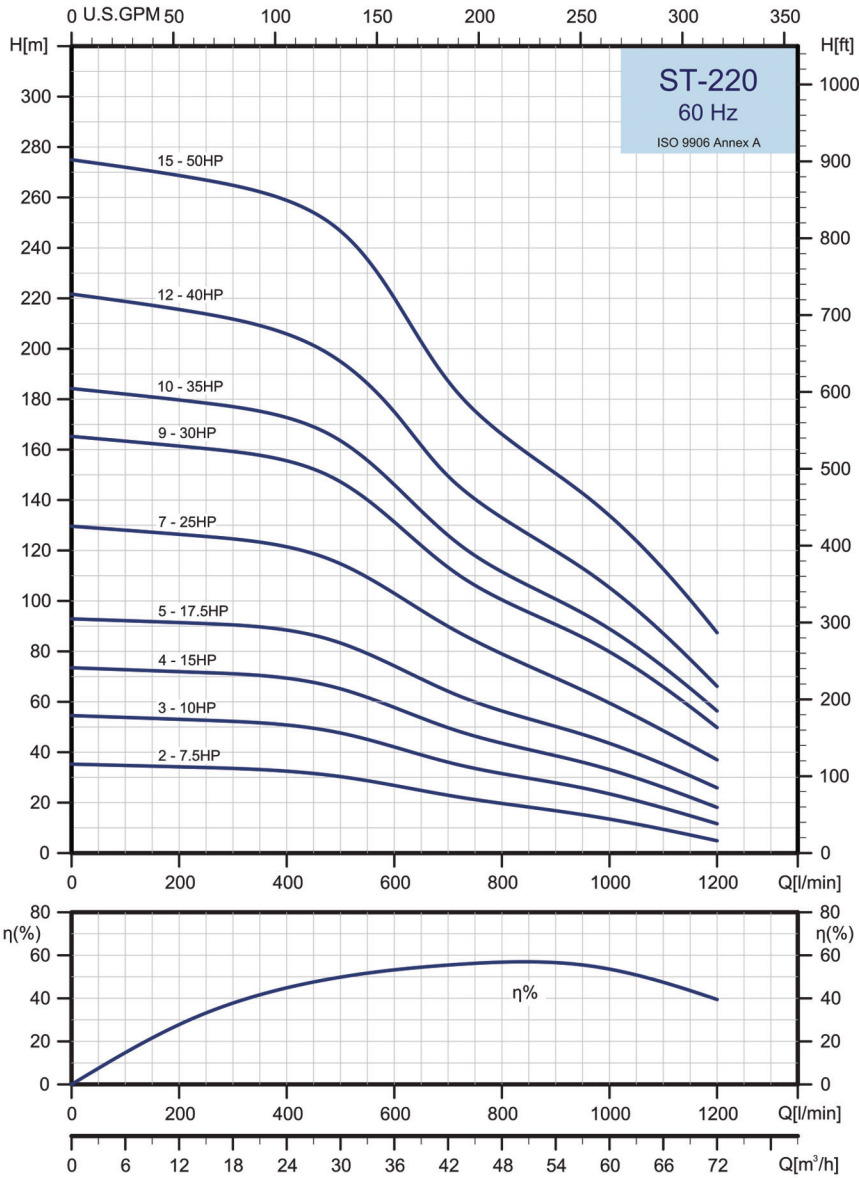
Dimensions and weights

Pump type	Motor			Dimensions(mm)					Weight(kg) Pump
	Power		Type	A	B	C	C'	C**	
kW	HP								
ST 180-2	5.5	7.5	4"	469	NPT3" RP3"	138			8.9
ST 180-3	7.5	10	4"	529		138			9.9
ST 180-2	5.5	7.5	6"	483			141	144	9.8
ST 180-3	7.5	10	6"	543			141	144	10.7
ST 180-4	9.3	12.5	6"	603			141	144	11.6
ST 180-5	11	15	6"	663			141	144	12.6
ST 180-6	13	17.5	6"	723			141	144	13.6
ST 180-8	18.5	25	6"	843			141	144	15.5
ST 180-10	22	30	6"	963			141	144	17.4
ST 180-12	26	35	6"	1083			141	144	19.2
ST 180-13	30	40	6"	1143			141	144	20.3
ST 180-17	37	50	6"	1435			141	144	24.9





ST 6"

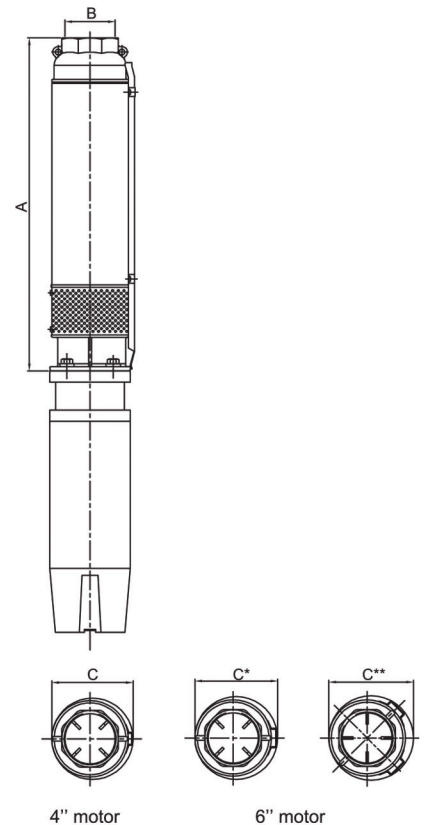


Product data

Pump Type	HP	Q(GPM)	H(ft)	Hmax(ft)
ST 220-02	7.5	220	62	116
ST 220-03	10	220	100	179
ST 220-04	15	220	138	242
ST 220-05	17.5	220	179	305
ST 220-07	25	220	249	426
ST 220-09	30	220	319	543
ST 220-10	35	220	354	605
ST 220-12	40	220	422	728
ST 220-15	50	220	528	903

Dimensions and weights

Pump type	Motor			Dimensions(mm)					Weight(kg)	
	Power		Type	A	B	C	C*	C**	Pump	
	kW	HP								
ST 220-2	5.5	7.5	4"	469	NPT3" RP3"	138			8.9	
ST 220-3	7.5	10	4"	529		138			9.9	
ST 220-2	5.5	7.5	6"	483			141	144	9.8	
ST 220-3	7.5	10	6"	543			141	144	10.7	
ST 220-4	11	15	6"	603			141	144	11.7	
ST 220-5	13	17.5	6"	663			141	144	12.6	
ST 220-7	18.5	25	6"	783			141	144	14.5	
ST 220-9	22	30	6"	903			141	144	16.5	
ST 220-10	26	35	6"	963			141	144	17.5	
ST 220-12	30	40	6"	1083			141	144	19.5	
ST 220-15	37	50	6"	1263		141	144	22.6		





GOL PUMPS TECHNOLOGY INC

6520 NW 77th CT , Miami FL 33166

Ph: +1 (786) 615 8984

Fax: +1 (786) 615 7043

Info@golpumps.com

www.golpumps.com