



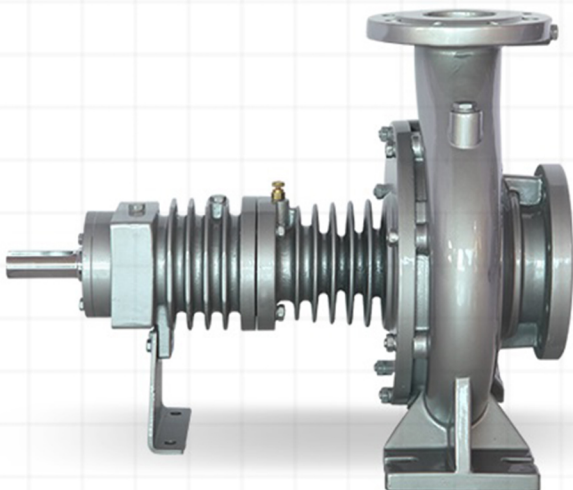
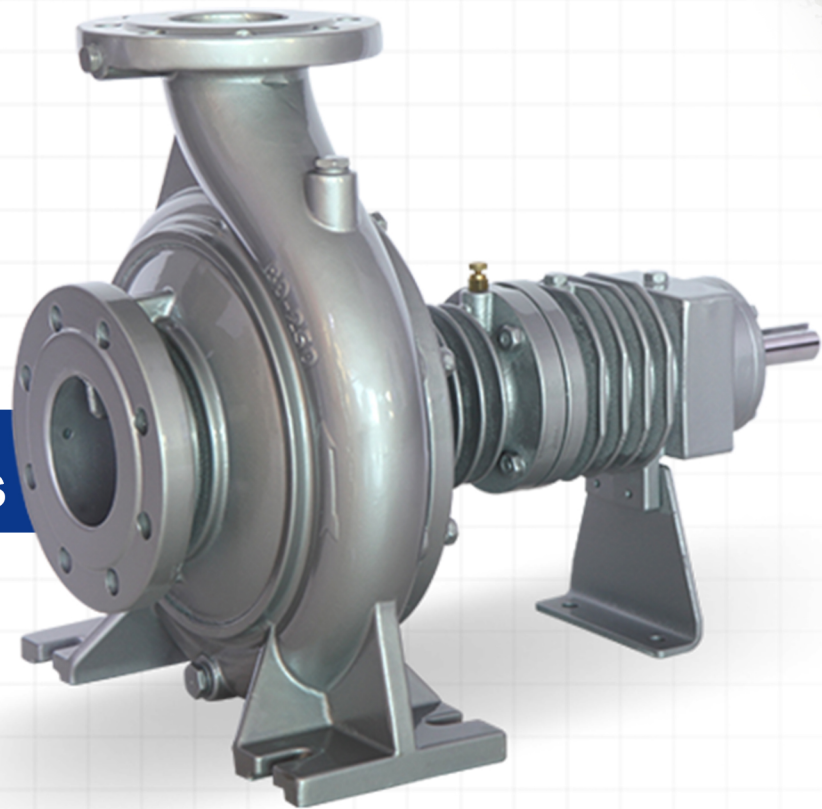
GOL PUMPS

www.golpumps.com

info@golpumps.com

End Suction Thermal Oil Centrifugal Pump

TKF-K Series





GENERAL INFORMATION

Discharge Flange	DN 65 – DN 150
Capacity	up to 500 m ³ /h
Head	up to 100 m
Working Temperature	up to 350 °C*
Design Pressure (Pmax)	10 bar (16 bar)*

(Pmax: Suction Pressure + Shut off Head)

(*) Depending on the type of liquid, operating temperature and pressure. The pump material changes. Please contact our company for detailed information.

Transferable Liquids

- Heat transfer oil or low viscosity industrial oil without aggressive solid particles.

Shaft Sealing

- Single type mechanical seals resistant to high temperature are used.

Applications

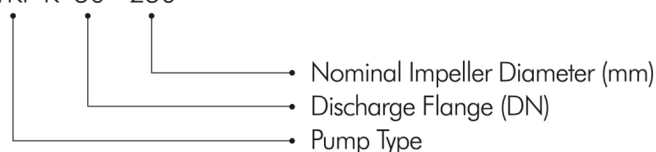
Chemical and Petrochemical Industry

Design Features

- Horizontal shaft, volute, single stage, end suction, air cooled, closed impeller centrifugal pumps.
- Suction and discharge flanges conform to EN 1092-2 / PN 16.
(flanges for pumps with stainless steel body conform to EN 1092 - 1 / PN 16)
- With the detachable design of the pump, it is possible to remove the bearing assembly, the seal bearing, the pump shaft and the impeller without removing the snail from the pipe. (Optionally, the rotor group of the pump can be removed without removing the motor from the motor carrier by applying the spacer sleeve coupling).
- All impellers are balanced dynamically or statically in accordance with ISO 1940 class 6.3.
- The direction of rotation is clockwise when viewed from the motor side.
- The axial force is compensated by the balancing vanes on the rear of the impeller.
- TKF-K type pumps use "oil lubrication" bearings as standard.

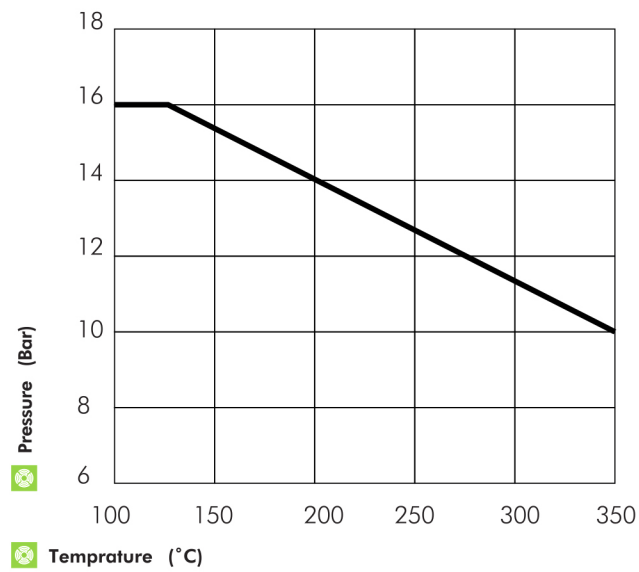
PumpCode

TKF-K 50 - 250





■ PRESSURE AND TEMPERATURE LIMITS



■ MATERIAL OPTIONS

Part List	0.6025	0.7040	1.4408	1.4021	1.4401
Volute Casing		●	○		
Seal Box		●	○		
Impeller	○	●	○		
Shaft				●	○
Bearing Housing	●	○	○		
Wear Ring	○	○	○		
Shaft Wear Bushing		●	○		
Mech. Seal (*)	EN 12756 / DIN 24250				

Mechanical seal can be used in different types and brands depending on working conditions or customer request.

- Standard Manufacturing
- Optional

■ DESCRIPTIONS

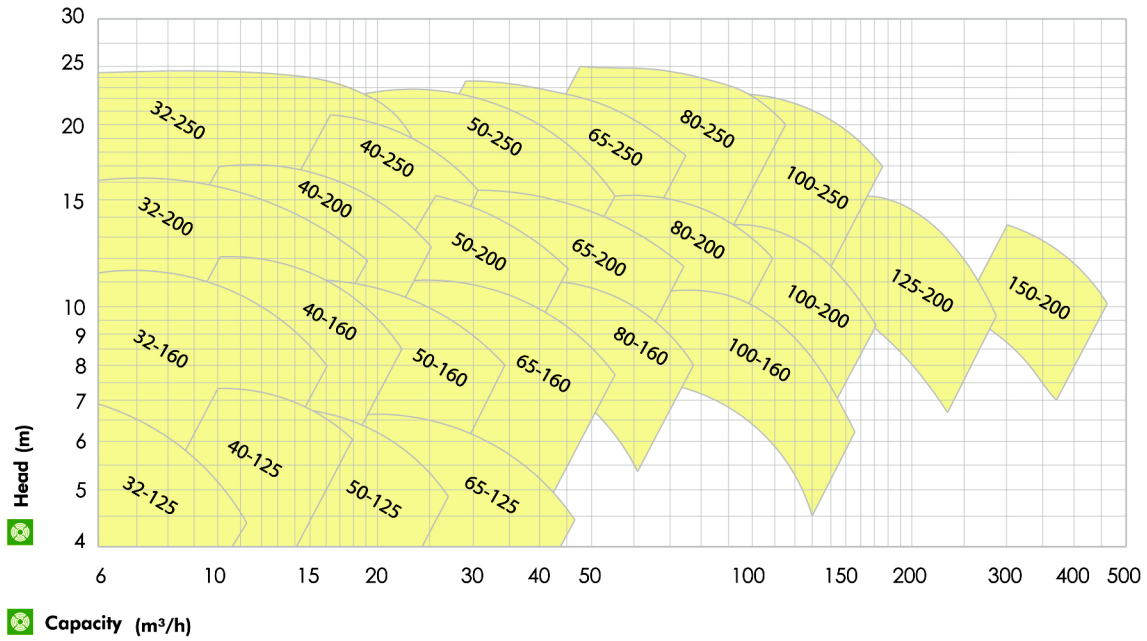
■ DIN
■ EN
■ AISI/SAE/ASTM

Cast Iron	0.6025	EN-GJL-250 (GG 25)	A 48 Class 40-B
Ductile Iron Casting	0.7040	EN-GJS-400-15 (GGG 40)	A 536 60-40-18
Chrome Nickel Molybdenum Steel Casting	1.4408	GX5 Cr Ni Mo 19-11-2	A 351 CF8M
Chromium Steel	1.4021	X 20 Cr 13	A 276 Type 420
Chrome Nickel Molybdenum Steel	1.4301	X5 Cr Ni 18-10	A 276 Type 304

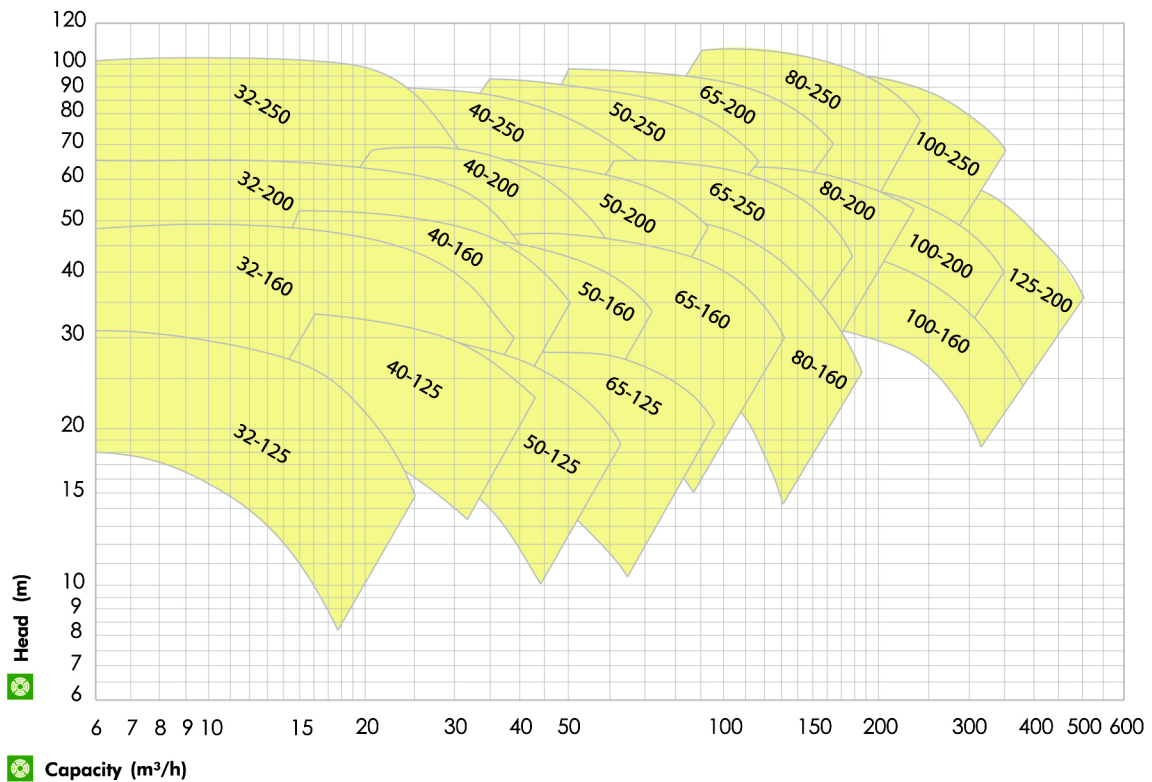
SELECTION CHARTS



1450 rpm / (d/d) (50 Hz)



2900 rpm / (d/d) (50 Hz)

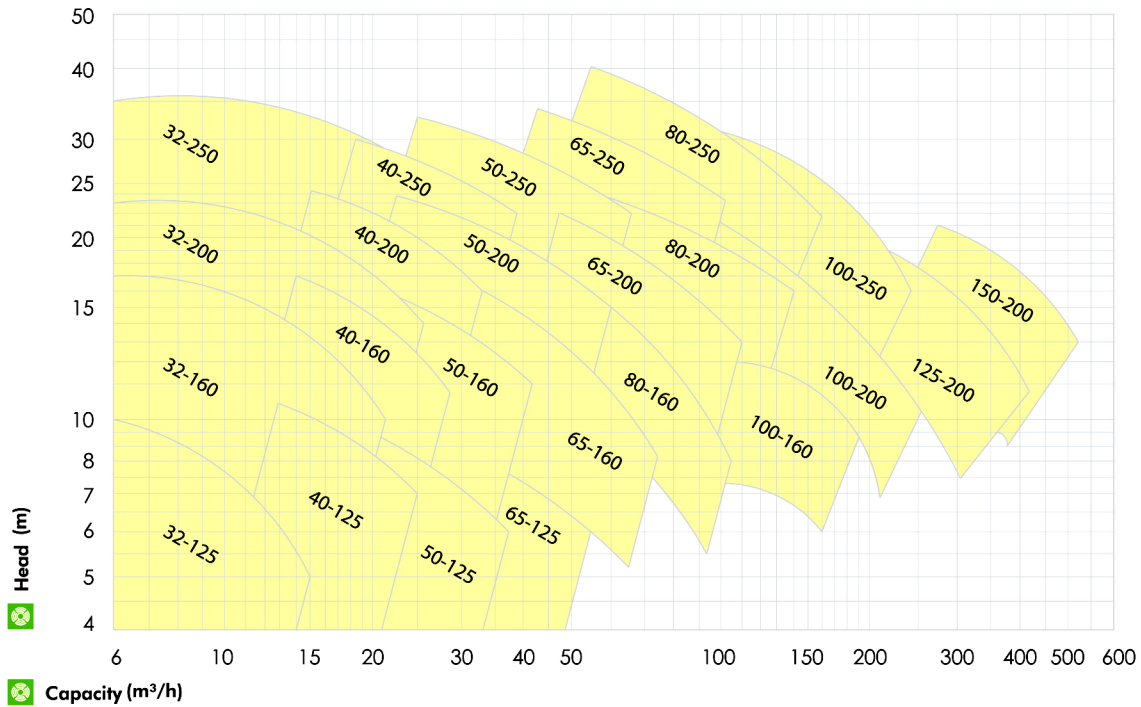


○ For detailed curves, use our selection program.

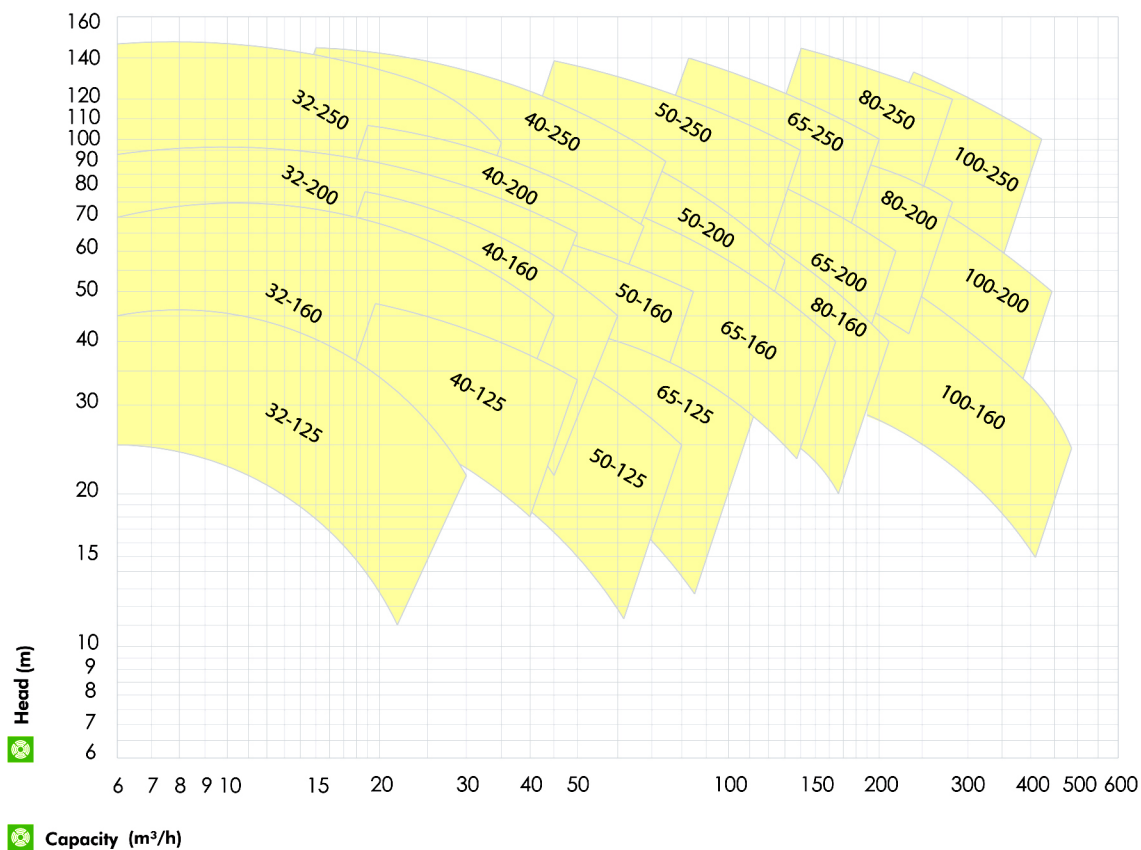


SELECTION CHARTS

1750 rpm / (d/d) (60 Hz)



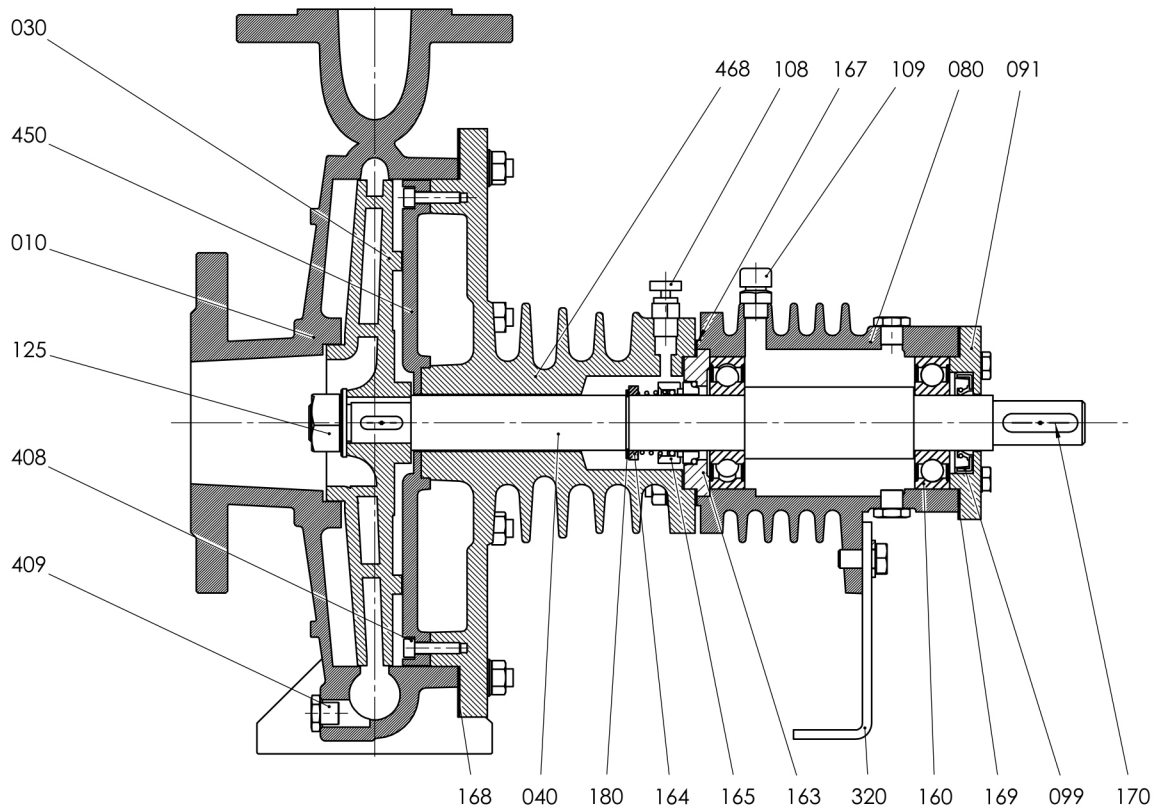
3500 rpm / (d/d) (60 Hz)



For detailed curves, use our selection program.



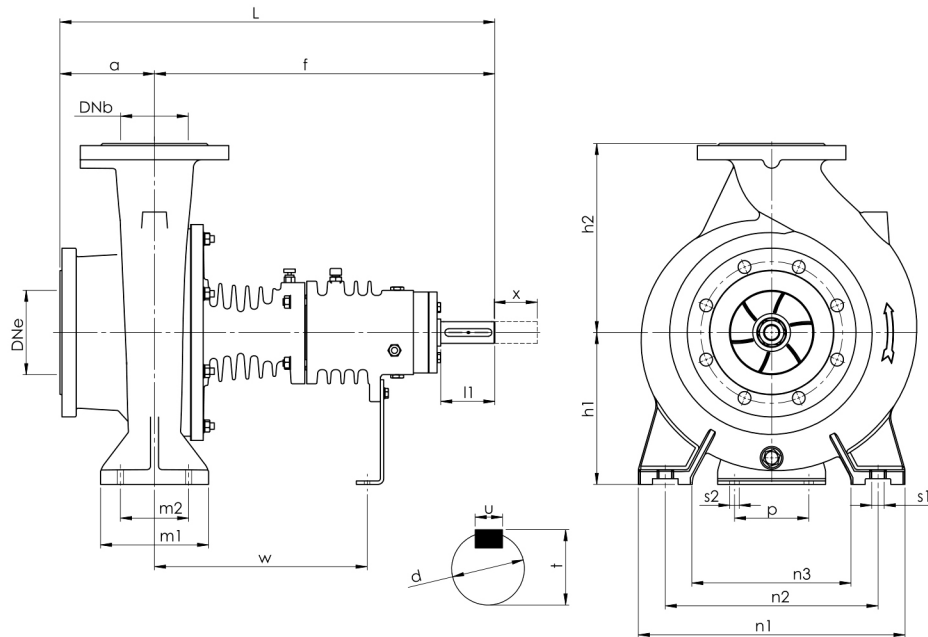
SECTIONAL VIEW



Part List

Volute Casing	010
Impeller	030
Shaft	040
Bearing Housing	080
Bearing Cover	091
Oil Seal	099
Air Purge	108
Air Plug	109
Nut	125
Bearing	160
Mechanical Seal Cover	163
Mechanical Seal Setting Sleeve	164
Mechanical Seal	165
Mechanical Seal Gasket	167
Body Seal	168
Bearing Cover Gasket	169
Key	170
Shaft Ring	180
Supporting Feet	320
Bolt	408
Drain Plug	409
Wear Plate	450
Casing Cover	468

PUMP DIMENSIONS



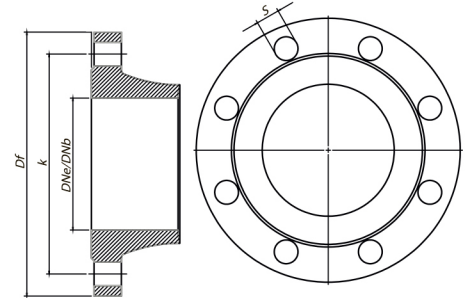
Pump Type	Dimensions (mm)																							Weight (kg)
	Outside Dimensions						Supporting Foot Dimensions						Shaft Dimensions					Spacing						
	DNe	DNb	a	f	L	H	h1	h2	m1	m2	n1	n2	n3	s1	p	s2	w	d	l1	t	u	x		
32-125	50	32	80	387	467	252	112	140	100	70	190	140	90	14	110	14	245	24	50	27	8	100	32	
32-160	50	32	80	380	460	292	132	160	100	70	240	190	140	14	110	14	245	24	50	27	8	100	37	
32-200	50	32	80	382	462	340	180	180	100	70	240	190	140	14	110	14	245	24	50	27	8	100	40	
32-250	50	32	100	387	487	405	180	225	125	95	320	255	190	14	110	14	245	24	50	27	8	100	53	
40-125	65	40	80	389	469	252	112	140	100	70	210	160	110	14	110	14	245	24	50	27	8	100	33	
40-160	65	40	80	382	462	292	132	160	100	70	240	190	140	14	110	14	245	24	50	27	8	100	36	
40-200	65	40	100	383	483	340	160	180	100	70	265	212	165	14	110	14	245	24	50	27	8	100	43	
40-250	65	40	100	387	487	405	180	225	125	95	320	250	190	14	110	14	245	24	50	27	8	100	57	
50-125	65	50	100	391	491	292	132	160	100	70	240	190	140	14	110	14	245	24	50	27	8	100	36	
50-160	65	50	100	383	483	340	160	180	100	70	265	212	165	14	110	14	245	24	50	27	8	100	41	
50-200	65	50	100	385	485	360	160	200	100	70	265	212	165	14	110	14	245	24	50	27	8	100	46	
50-250	65	50	100	388	488	405	180	225	125	95	320	250	190	14	110	14	250	24	50	27	8	100	56	
65-125	80	65	100	394	494	340	160	180	125	95	280	212	150	14	110	14	250	24	50	27	8	100	41	
65-160	80	65	100	388	488	360	160	200	125	95	280	212	150	14	110	14	250	24	50	27	8	100	46	
65-200	80	65	100	387	487	405	180	225	125	95	320	250	190	14	110	14	245	24	50	27	8	140	53	
65-250	80	65	100	498	598	450	200	250	160	120	360	280	200	19	110	14	308	32	80	35	10	140	78	
80-160	100	80	125	391	516	405	180	225	125	95	320	250	190	14	110	14	250	24	50	27	8	140	51	
80-200	100	80	125	502	627	430	180	250	125	95	345	280	215	14	110	14	315	32	80	35	10	140	75	
80-250	100	80	125	500	625	480	200	280	160	120	400	315	240	19	110	14	310	32	80	35	10	140	81	
100-160	125	100	125	397	522	480	200	280	160	120	360	280	200	19	110	14	260	24	50	27	8	140	70	
100-200	125	100	125	503	628	480	200	280	160	120	360	280	200	19	110	14	315	32	80	35	10	140	81	
100-250	125	100	140	504	644	505	225	280	160	120	400	315	240	19	110	14	315	32	80	35	10	140	90	
125-200	150	125	140	512	652	565	250	315	160	120	400	315	240	19	110	14	320	32	80	35	10	160	91	
150-200	200	150	160	520	680	635	280	355	200	150	505	400	300	23	110	14	330	32	80	35	10	190	138	

x: Minimum distance between motor and pump shafts to remove rotor from rear.



FLANGE DIMENSIONS

Pump Type	Suction & Discharge (PN 16)			
	Df	k	s	n
32	140	100	19	4
40	150	110	19	4
50	165	125	19	4
65	185	145	19	4
80	200	160	19	8
100	220	180	19	8
125	250	210	19	8
150	285	240	23	8



○ TS EN 1092 - 2 ○ "n" Number of Holes

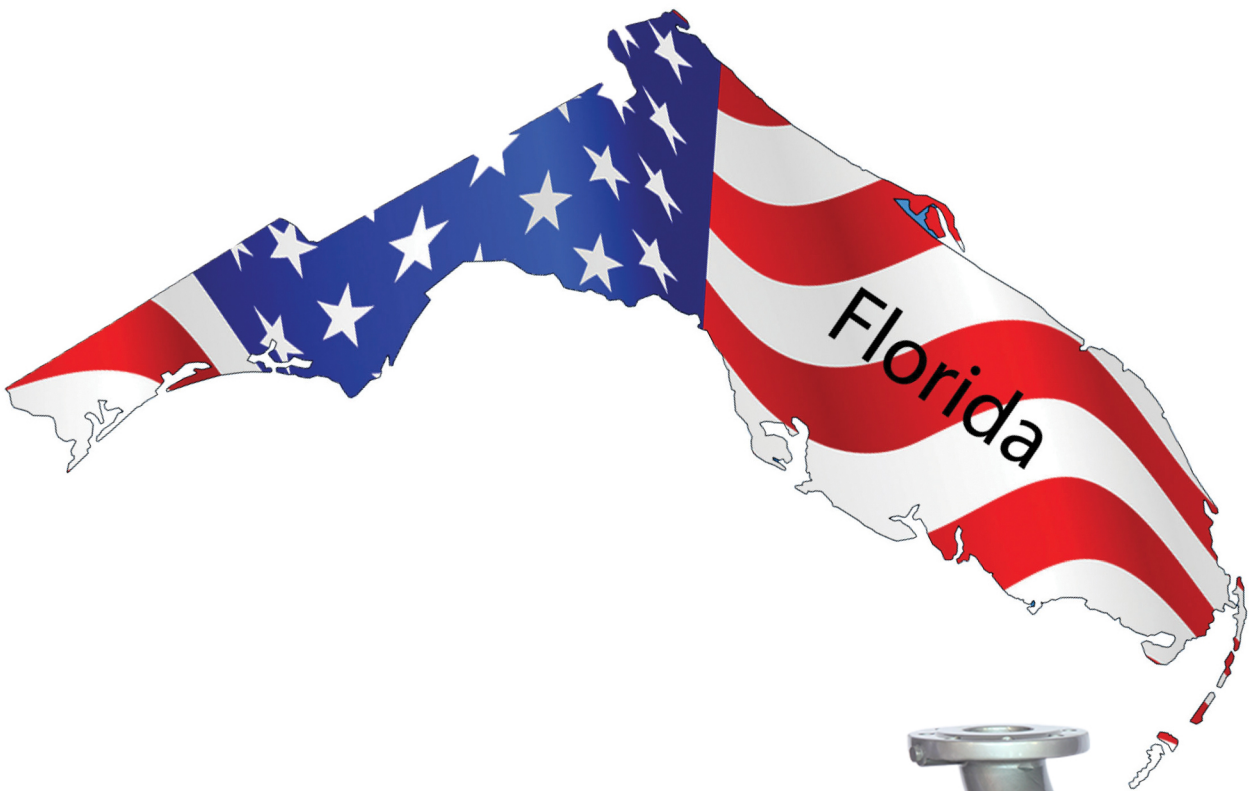
SEAL SOLUTIONS

Packing Type	Packing Specifications	
	Temperature	Pressure
M37GN4	t = -20 °C ... +200 °C	p1 = 16 bar (230 PSI)

○ (*) Optional

*Note: Above datas mentioned according to BURGMANN Brand.
Packing can be changed according to customer request.

*Different seal application can be used according to liquid specification.



6520 NW 77 ct MIAMI , FL 33166

PH : +1(786) 615 8984 +1(786) 452 9775

Fax : +1(786) 615 7043

