



# Technical Data

## End Suction Pump - EA65/32

Revision no.

 Page:  
1

Receiver

From

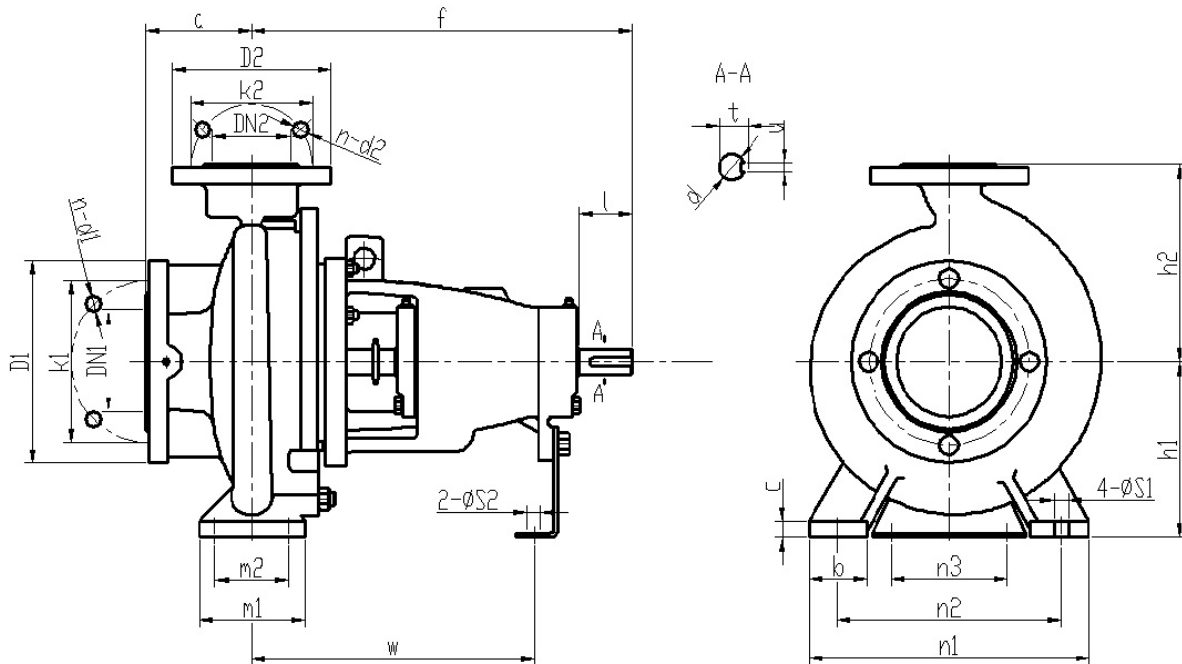
 Company name  
 Respons. Department  
 Person in charge  
 Phone number  
 Fax no  
 E-mail address





**Brand: Gol Pumps**  
**Model: EA65/32**

Weight (lb)	
Pump	243

**Dimensions:**


Flange standard: ISO7005.2 DIN2501 PN16 GB/T17241.6 PN1.6

	1.25	1.5	2	2.5	3	4	5	6	8	10	12	14	16
DN1 / DN2	5.5	5.9	6.5	7.3	7.9	8.7	9.8	11.2	13.4	15.9	18.1	20.5	22.8
K1 / K2	3.9	4.3	4.9	5.7	6.3	7.1	8.3	9.4	11.6	14.0	16.1	18.5	20.7
n-d1 / n-d2	4-Ø18	4-Ø18	4-Ø18	4-Ø18	8-Ø18	8-Ø18	8-Ø18	8-Ø22	12-Ø22	12-Ø26	12-Ø26	16-Ø26	16-Ø30

Bearing inner diameter	Inlet and outlet flange	
	DN1	DN2
1.4	3	2.5

**Pump installation size (inch)**

a	f	h1	h2	b	c	n3	m1	m2	n1	n2	S1	S2	w	d	l	t	u
5	18.5	8.9	11	3	0.7	4.3	6.3	4.7	15.8	12.4	0.7	0.6	13.5	1.3	3	1.4	0.4

Project

Project ID

Created by

Created on

Last update



# Performance Curves

## End Suction Pump - EA65/32

Revision no.

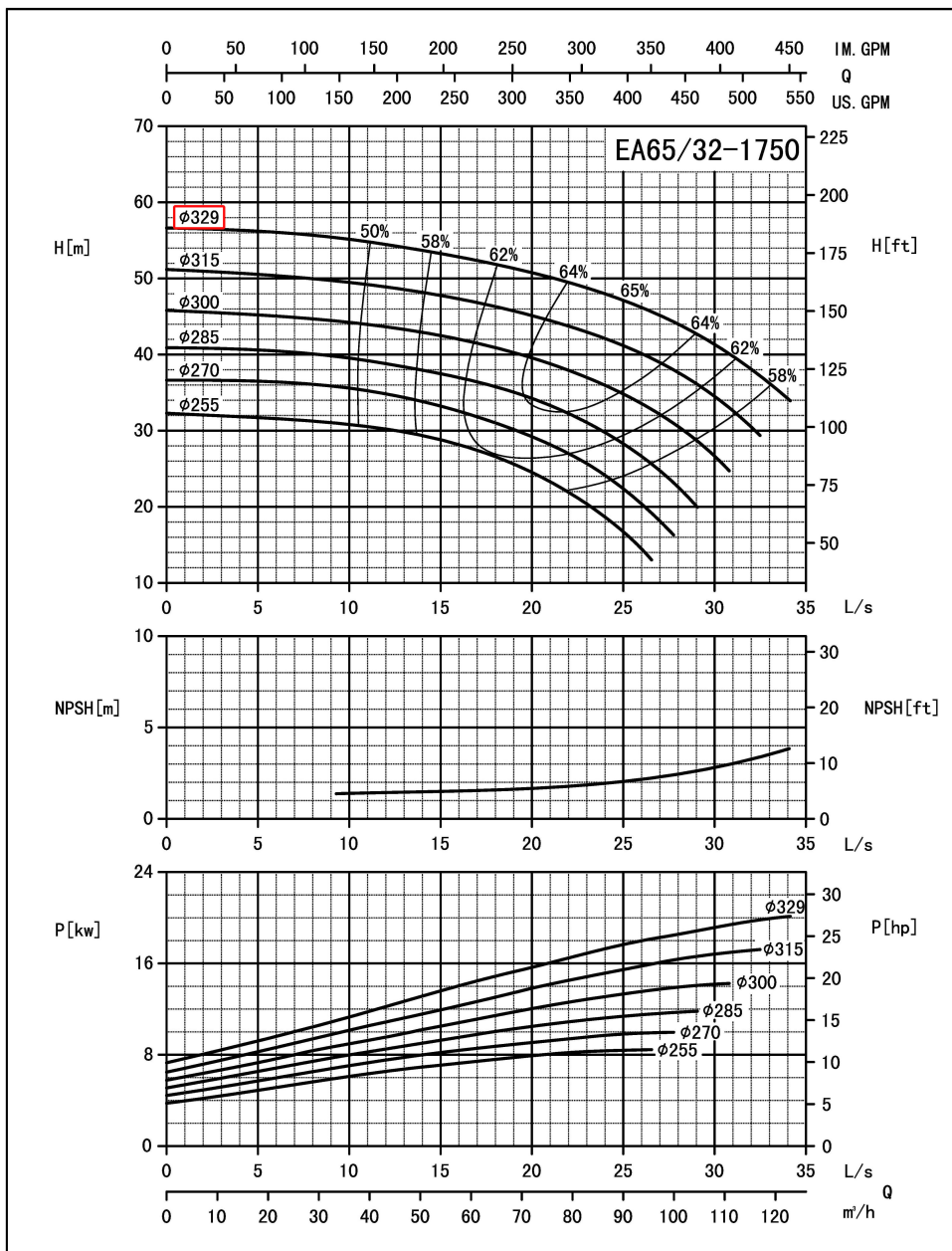
Page:  
2

Receiver

From

Company name  
Respons. Department  
Person in charge  
Phone number  
Fax no  
E-mail address

Model	Capacity			Head		Speed r/min	Power			Motor Model	Eff %	Impeller Dia. m	In mm/in	OUT mm/in	
	m <sup>3</sup> /h	L/s	GPM	m	ft		Shaft kw	Motor kw	HP						
EA65/32	39.0	13.08	171.7	53.9	176.8	1750	10.60	15	20.1	Y2-180M-4 18.5KW	54	1.9	329(13")	80(3")	65(2.5")
	65.0	21.80	286.2	49.5	162.4		13.70	18.5	24.8		64	2			
	78.0	26.16	343.4	46.2	151.5		15.09	18.5	24.8		65	2.1			



Performance to ISO9906 Grade 2 for clean cold water only

EF-A01/1405

Project	Project ID	Created by	Created on	Last update