



Technical Data

End Suction Pump - EAX40/32

Revision no.

Page:
 1

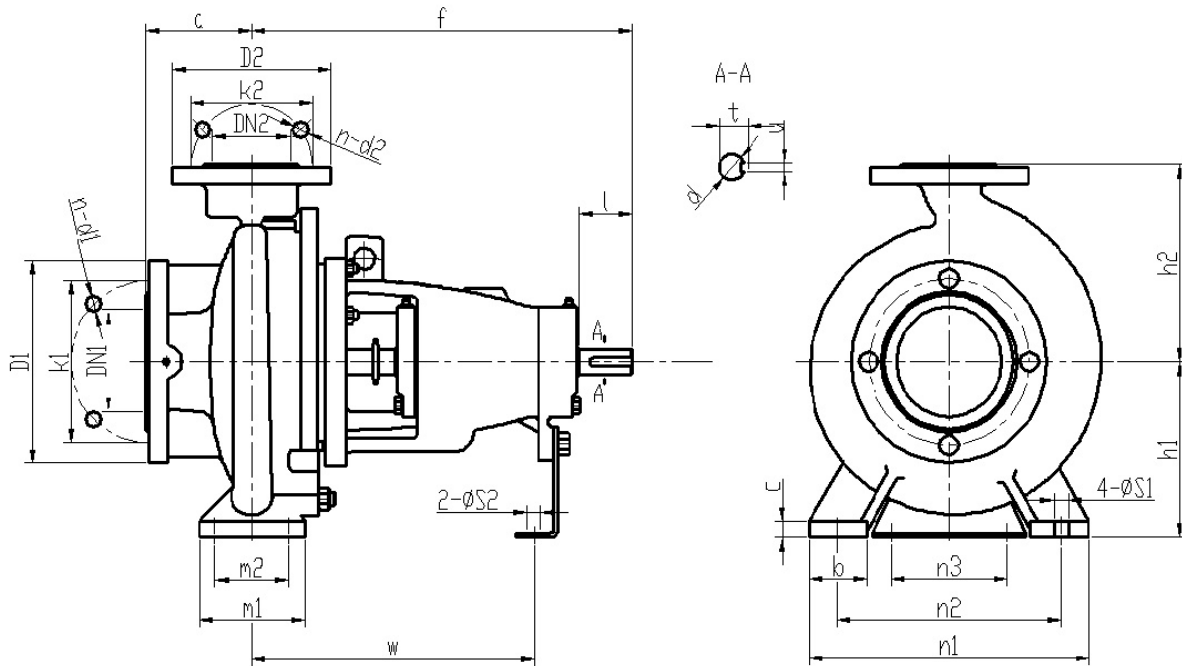
	Receiver	From
Company name		
Respons. Department		
Person in charge		
Phone number		
Fax no		
E-mail address		



Brand: Gol Pumps
Model: EAX40/32

Weight (lb)	
Pump	208

Dimensions:



Flange standard: ISO7005.2 DIN2501 PN16 GB/T17241.6 PN1.6														
DN1 / DN2	1.25	1.5	2	2.5	3	4	5	6	8	10	12	14	16	
D1 / D2	5.5	5.9	6.5	7.3	7.9	8.7	9.8	11.2	13.4	15.9	18.1	20.5	22.8	
K1 / K2	3.9	4.3	4.9	5.7	6.3	7.1	8.3	9.4	11.6	14.0	16.1	18.5	20.7	
n-d1 / n-d2	4-Ø18	4-Ø18	4-Ø18	4-Ø18	8-Ø18	8-Ø18	8-Ø18	8-Ø22	12-Ø22	12-Ø26	12-Ø26	16-Ø26	16-Ø30	

Bearing inner diameter	Inlet and outlet flange	
	DN1	DN2
1.4	2.5	1.5

Pump installation size (inch)																	
a	f	h1	h2	b	c	n3	m1	m2	n1	n2	S1	S2	w	d	l	t	u
5	18.5	7.9	10	2.5	0.6	4.5	5	3.7	13.6	11	0.6	0.6	13.5	1.3	3	1.4	0.4

Project	Project ID	Created by	Created on	Last update
---------	------------	------------	------------	-------------



Performance Curves

End Suction Pump - EAX40/32

Revision no.

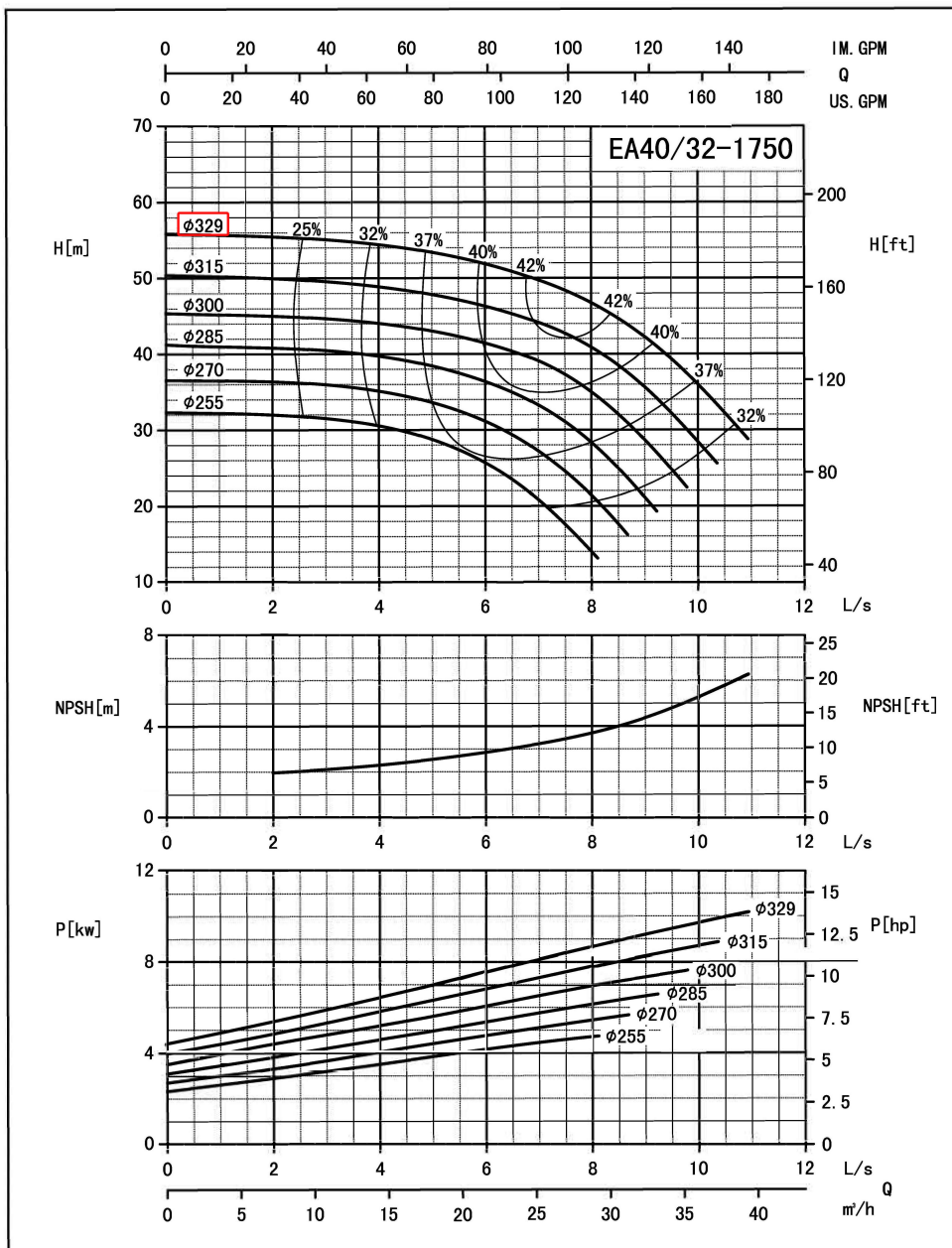
Page:
2

Receiver

From

Company name
Respons. Department
Person in charge
Phone number
Fax no
E-mail address

Model	Capacity			Head		Speed	Power			Motor Model	Eff	Impeller Dia.	In	OUT	
	m ³ /h	L/s	GPM	m	ft		Shaft	Motor	HP						
EA40/32	10.8	3.62	47.6	54.6	179.2	1750	5.18	7.5	10.1	Y2-160M-4 11KW	31	2.1	329(13")	65(2.5")	40(1.5")
	18.0	6.03	79.3	51.9	170.1		6.35	11	14.8		40	2.3			
	21.6	7.24	95.1	49.2	161.5		6.89	11	14.8		42	2.5			



Performance to ISO9906 Grade 2 for clean cold water only

EF-A01/1405

Project

Project ID

Created by

Created on

Last update