



Technical Data

End Suction Pump - EAX65/26

Revision no.

 Page:
1

Receiver

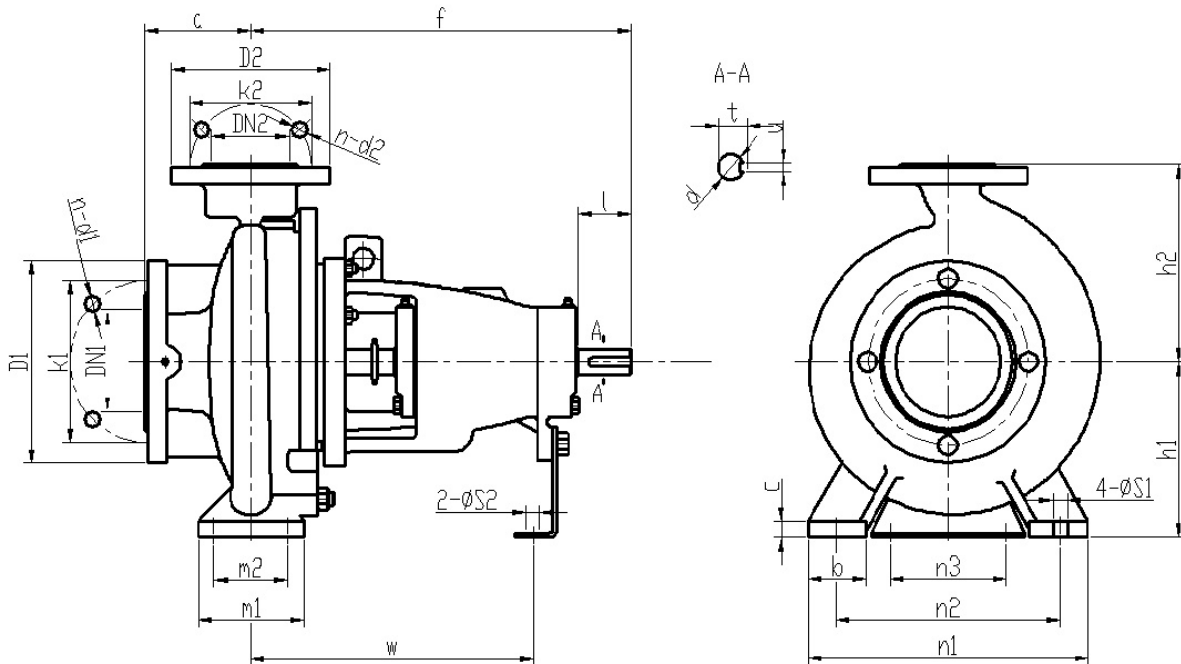
From

 Company name
 Respons. Department
 Person in charge
 Phone number
 Fax no
 E-mail address



Brand: Gol Pumps
Model: EAX65/26

Weight (lb)	
Pump	192

Dimensions:


Flange standard: ISO7005.2 DIN2501 PN16 GB/T17241.6 PN1.6

	1.25	1.5	2	2.5	3	4	5	6	8	10	12	14	16
DN1 / DN2	5.5	5.9	6.5	7.3	7.9	8.7	9.8	11.2	13.4	15.9	18.1	20.5	22.8
K1 / K2	3.9	4.3	4.9	5.7	6.3	7.1	8.3	9.4	11.6	14.0	16.1	18.5	20.7
n-d1 / n-d2	4-Ø18	4-Ø18	4-Ø18	4-Ø18	8-Ø18	8-Ø18	8-Ø18	8-Ø22	12-Ø22	12-Ø26	12-Ø26	16-Ø26	16-Ø30

Bearing inner diameter	Inlet and outlet flange	
	DN1	DN2
1.4	3	2.5

Pump installation size (inch)

a	f	h1	h2	b	c	n3	m1	m2	n1	n2	S1	S2	w	d	l	t	u
4	18.5	8.9	9.8	3	0.6	4.3	6.3	4.7	14.2	11	0.7	0.6	13.5	1.3	3	1.4	0.4

Project

Project ID

Created by

Created on

Last update



Performance Curves

End Suction Pump - EAX65/26

Revision no.

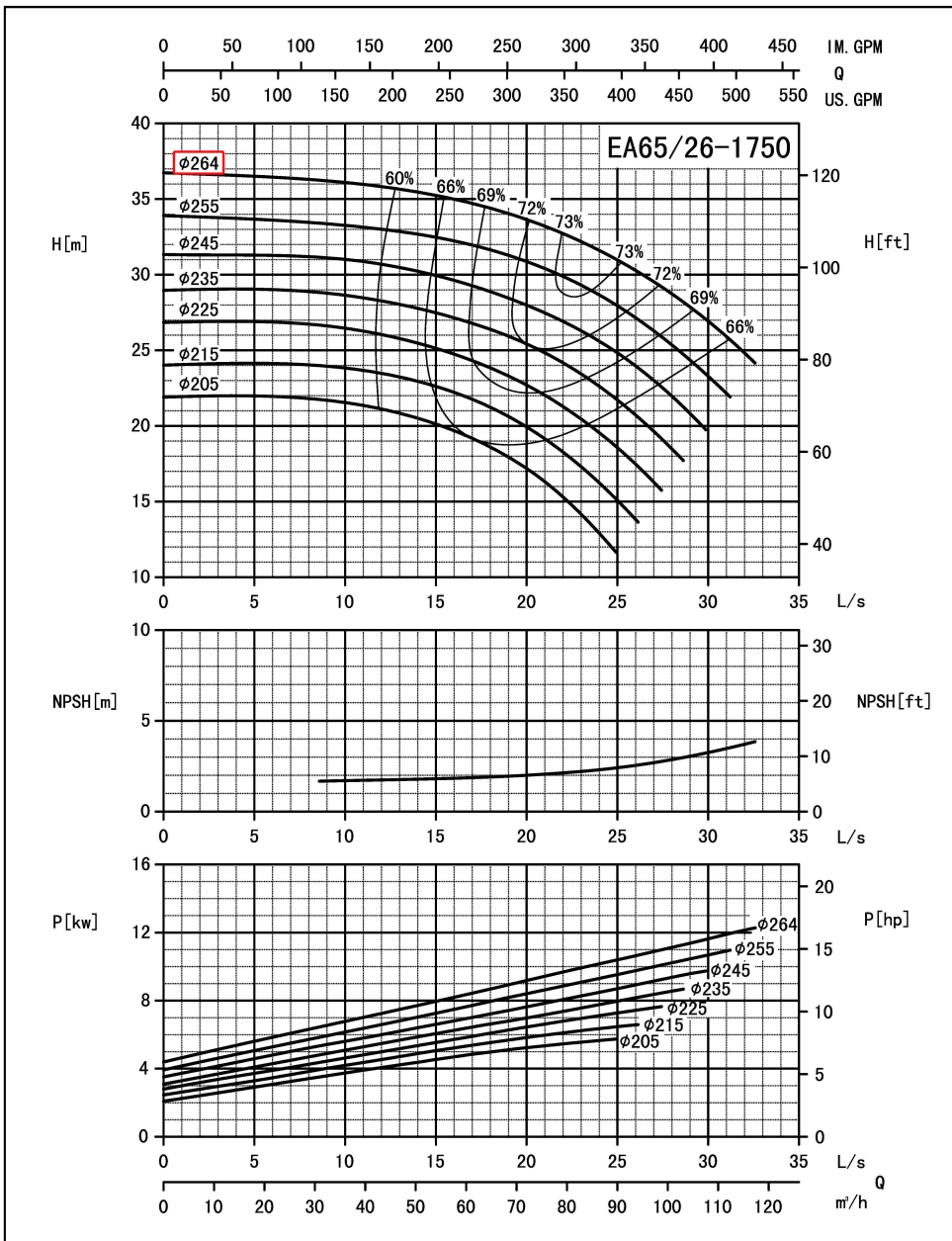
Page:
2

Receiver

From

Company name
 Respons. Department
 Person in charge
 Phone number
 Fax no
 E-mail address

Model	Capacity			Head		Speed r/min	Power			Motor Model	Eff %	Impeller Dia. m	In mm/in	OUT mm/in	
	m ³ /h	L/s	GPM	m	ft		Shaft kw	Motor kw	HP						
EA65/26	36.0	12.07	158.5	35.8	117.5	1750	5.95	7.5	10.0	Y2-160M-4 11KW	59	1.7	264(10.4")	80(3")	65(2.5")
	60.0	20.12	264.2	33.5	109.9		7.60	11	15.0		72	1.9			
	72.0	24.14	317	31.6	103.7		8.49	11	15.0		73	2			



Performance to ISO9906 Grade 2 for clean cold water only

EF-A01/1405

Project	Project ID	Created by	Created on	Last update
---------	------------	------------	------------	-------------