



Technical Data

End Suction Pump - EAZS100/20-45002 (SS316)

Revision no. _____
Page: 1

Company name
Respons. Department
Person in charge
Phone number
Fax no
E-mail address

Receiver	From



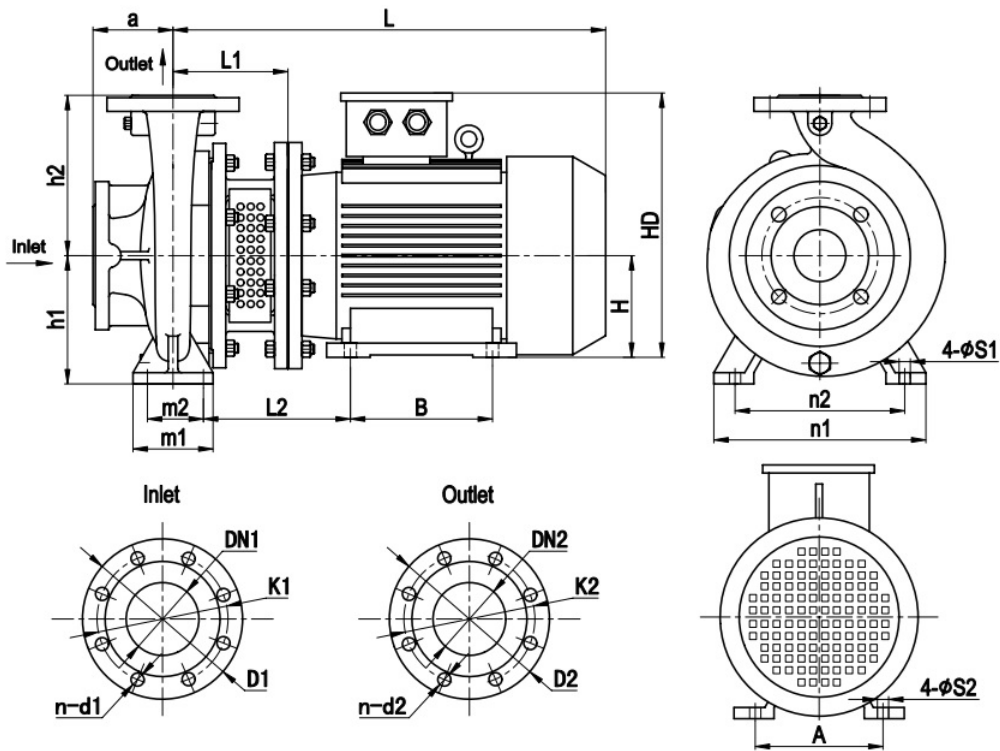
Brand: Gol Pumps
Model: EAZS100/20-45002 (SS316)

Motor (B35)	
Model	hp
Y2-225M-2	60

Weight (lb)		
Pump	Motor	Pump & motor
183	631	814

Pump Material	Stainless Steel 316/AISI 316
Casing	Stainless Steel 316/AISI 316
Impeller	Stainless Steel 316/AISI 316
Shaft	Stainless Steel 316/AISI 316
Mechanical Seal	Silicon Carbide

Dimensions:



ISO7005.2 DIN2501 PN16 GB/T17241.6 PN1.6									
DN1 / DN2	1.25	1.5	2	2.5	3	4	5	6	8
D1 / D2	5.51	5.91	6.50	7.28	7.87	8.66	9.84	11.22	13.39
K1 / K2	3.94	4.33	4.92	5.71	6.30	7.09	8.27	9.45	11.61
n-d1 / n-d2	4-Ø18	4-Ø18	4-Ø18	4-Ø18	8-Ø18	8-Ø18	8-Ø18	8-Ø22	12-Ø22

Inlet and outlet flange	
DN1	DN2
5	4

Pump installation size (inch)															
a	h1	h2	L1	L2	L	A	B	H	HD	m1	m2	n1	n2	S1	S2
4.9	7.9	11	9.4	12.9	37.1	14	12.2	8.9	22	6.3	4.7	14.2	11	0.7	0.7

Project	Project ID	Created by	Created on	Last update
---------	------------	------------	------------	-------------



Performance Curves

End Suction Pump - EAZS100/20-45002 (SS316)

Revision no.

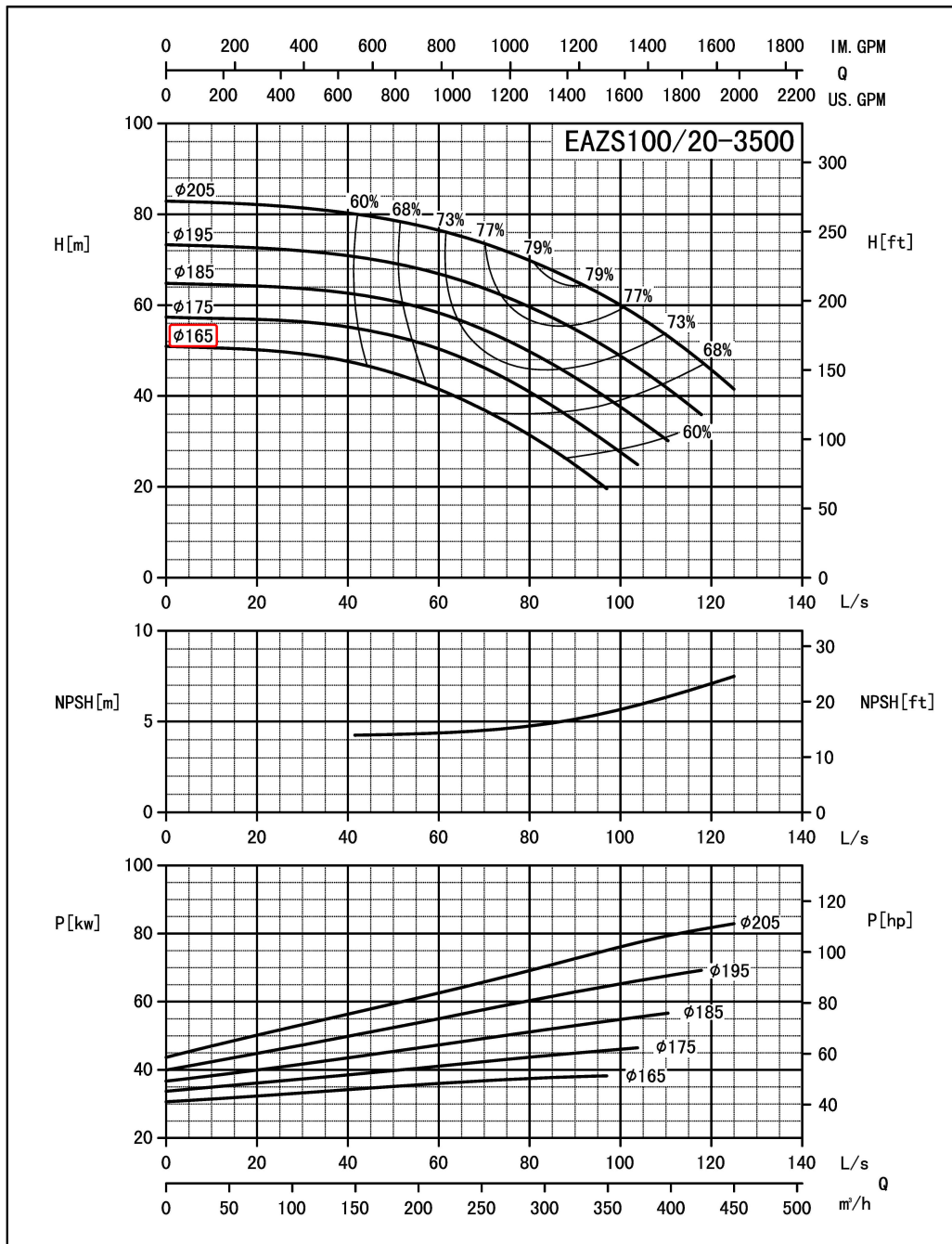
Page:
 2

Receiver

From

Company name
 Respons. Department
 Person in charge
 Phone number
 Fax no
 E-mail address

Model	Capacity		Head ft	Speed r/min	Power (kw)		Motor (hp)	Efficiency %	Impeller Diam. inch	(NPSH) r ft
	m ³ /h	gpm			Shaft	Motor				
EAZS100/20-45002	159.1	700.6	152.9	3500	33.9	45	60	59.5	6.5	12.8
	265.2	1167.7	114.7		37.4	45	60	67.5		19
	318.3	1401.3	86		37.9	45	60	60		22.6



Performance to ISO9906 Grade 2 for clean cold water only

EF-A01/1406

Project	Project ID	Created by	Created on	Last update
---------	------------	------------	------------	-------------