



Technical Data

End Suction Pump - EAZS100/20-45002

Revision no.

 Page:
1

Receiver

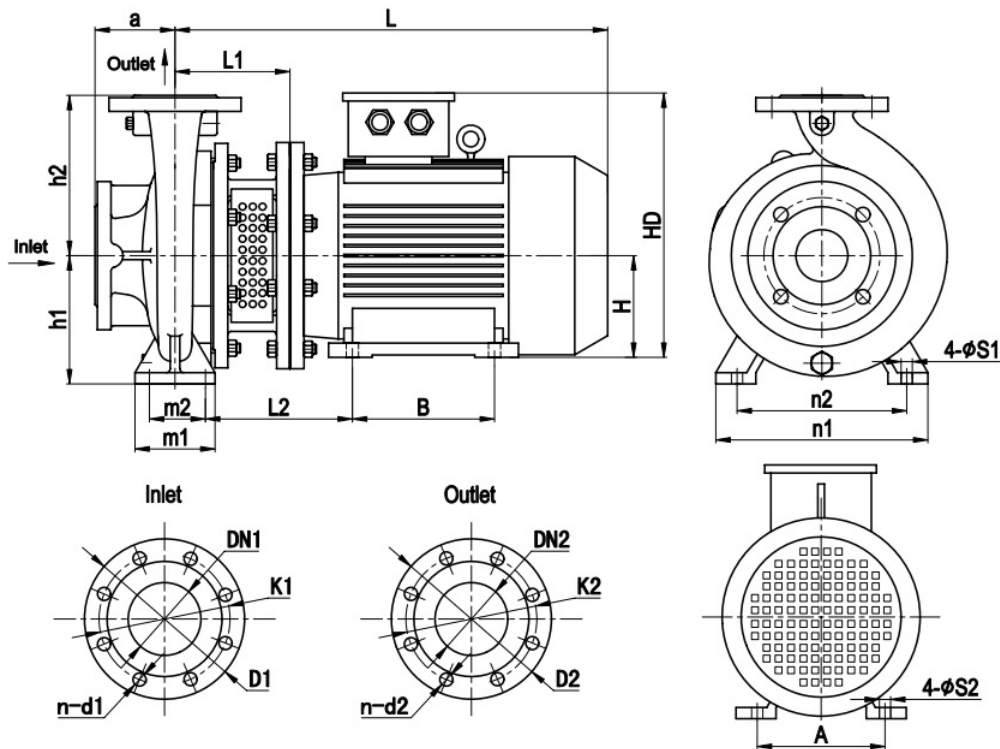
From

 Company name
 Respons. Department
 Person in charge
 Phone number
 Fax no
 E-mail address

Brand: Gol Pumps
Model: EAZS100/20-45002

Motor (B35)	
Model	hp
Y2-225M-2	60

Weight (lb)		
Pump	Motor	Pump & motor
183	631	814

Dimensions:


ISO7005.2 DIN2501 PN16 GB/T17241.6 PN1.6									
DN1 / DN2	1.25	1.5	2	2.5	3	4	5	6	8
D1 / D2	5.51	5.91	6.50	7.28	7.87	8.66	9.84	11.22	13.39
K1 / K2	3.94	4.33	4.92	5.71	6.30	7.09	8.27	9.45	11.61
n-d1 / n-d2	4-Ø18	4-Ø18	4-Ø18	4-Ø18	8-Ø18	8-Ø18	8-Ø18	8-Ø22	12-Ø22

Inlet and outlet flange	
DN1	DN2
5	4

Pump installation size (inch)															
a	h1	h2	L1	L2	L	A	B	H	HD	m1	m2	n1	n2	S1	S2
4.9	7.9	11	9.4	12.9	37.1	14	12.2	8.9	22	6.3	4.7	14.2	11	0.7	0.7

Project

Project ID

Created by

Created on

Last update



Performance Curves

End Suction Pump - EAZS100/20-45002

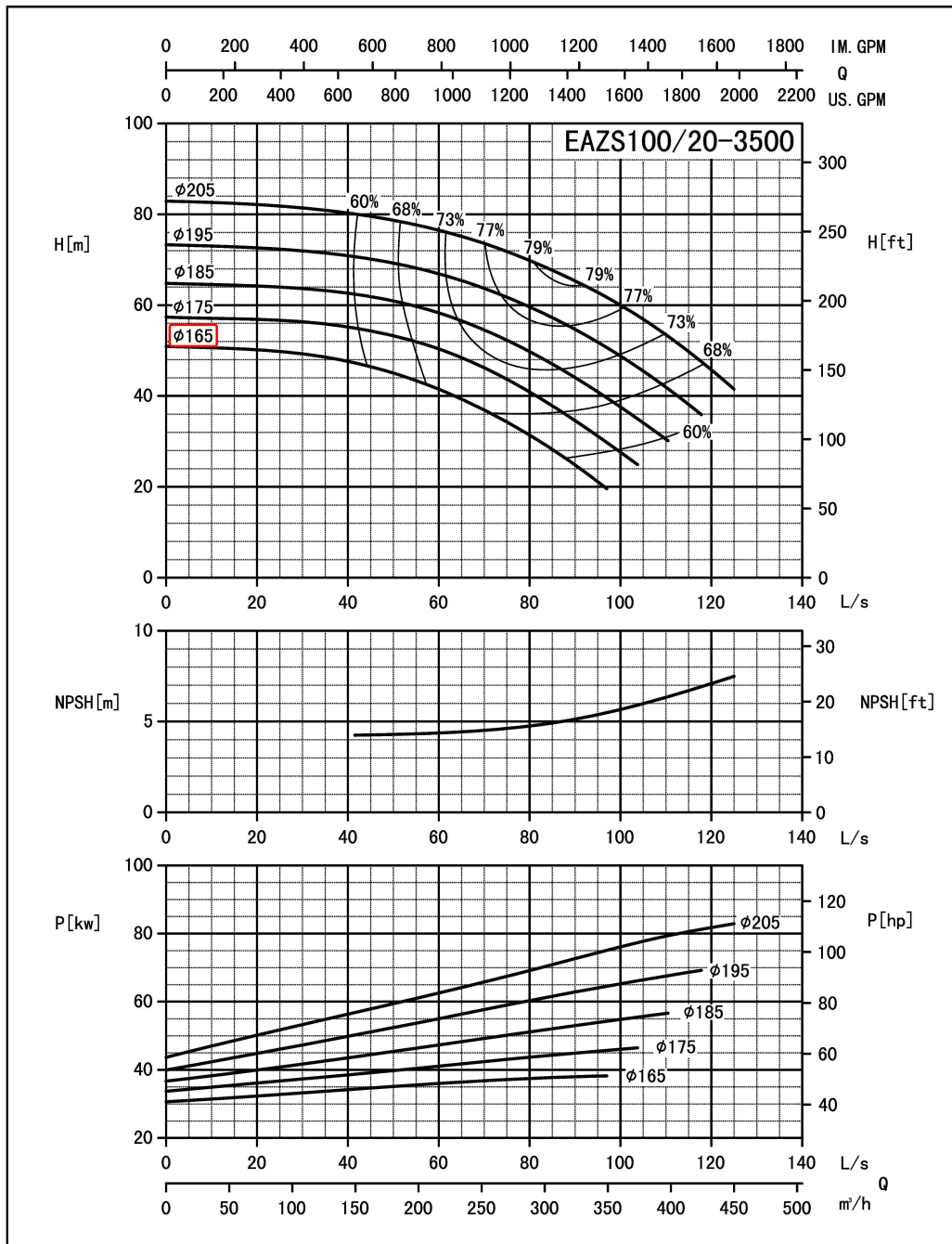
Revision no. _____

Page:
 2

Receiver	From

Company name
 Respons. Department
 Person in charge
 Phone number
 Fax no
 E-mail address

Model	Capacity		Head	Speed	Power (kw)		Motor (hp)	Efficiency	Impeller Diam.	(NPSH) r
	m ³ /h	gpm	ft	r/min	Shaft	Motor		%	inch	ft
EAZS100/20-45002	159.1	700.6	152.9	3500	33.9	45	60	59.5	6.5	12.8
	265.2	1167.7	114.7		37.4	45	60	67.5		19
	318.3	1401.3	86		37.9	45	60	60		22.6



Performance to ISO9906 Grade 2 for clean cold water only

EF•A01/1406

Project	Project ID	Created by	Created on	Last update
---------	------------	------------	------------	-------------