



Technical Data

End Suction Pump - EAZS100/26-22004 (SS316)

Revision no. _____

Page: 1

Company name
 Respons. Department
 Person in charge
 Phone number
 Fax no
 E-mail address

Receiver

From



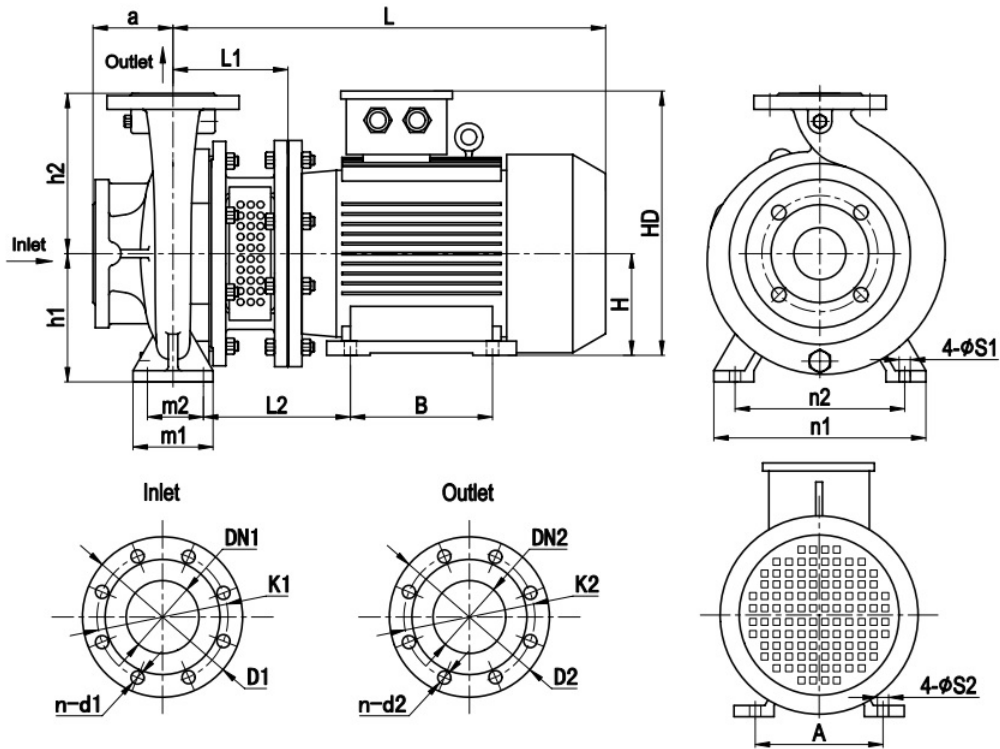
Brand: Gol Pumps
Model: EAZS100/26-22004 (SS316)

Motor (B35)	
Model	hp
Y2-180L-4	30

Weight (lb)		
Pump	Motor	Pump & motor
196	395	591

Pump Material	Stainless Steel 316/AISI 316
Casing	Stainless Steel 316/AISI 316
Impeller	Stainless Steel 316/AISI 316
Shaft	Stainless Steel 316/AISI 316
Mechanical Seal	Silicon Carbide

Dimensions:



	ISO7005.2 DIN2501 PN16 GB/T17241.6 PN1.6									
DN1 / DN2	1.25	1.5	2	2.5	3	4	5	6	8	
D1 / D2	5.51	5.91	6.50	7.28	7.87	8.66	9.84	11.22	13.39	
K1 / K2	3.94	4.33	4.92	5.71	6.30	7.09	8.27	9.45	11.61	
n-d1 / n-d2	4-Ø18	4-Ø18	4-Ø18	4-Ø18	8-Ø18	8-Ø18	8-Ø18	8-Ø22	12-Ø22	

Inlet and outlet flange	
DN1	DN2
5	4

Pump installation size (inch)															
a	h1	h2	L1	L2	L	A	B	H	HD	m1	m2	n1	n2	S1	S2
5.51	10.04	11.02	9.41	11.81	34.21	10.98	10.98	7.09	17.91	6.30	4.72	15.75	12.40	0.71	0.59

Project _____ Project ID _____ Created by _____ Created on _____ Last update _____



Performance Curves

End Suction Pump - EAZS100/26-22004 (SS316)

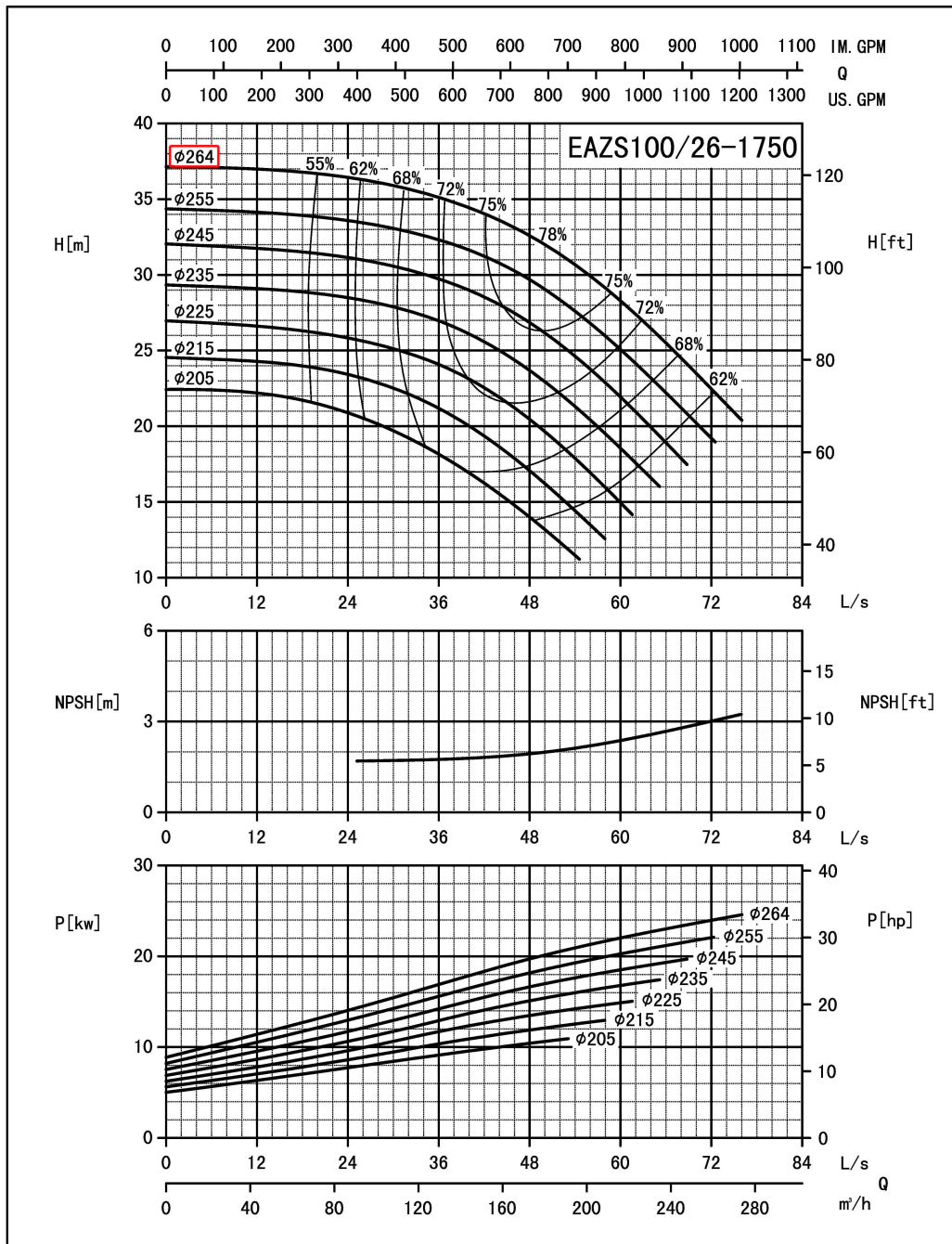
Revision no. _____
 Page: 2

Company name _____
 Respons. Department _____
 Person in charge _____
 Phone number _____
 Fax no _____
 E-mail address _____

Receiver _____

From _____

Model	Capacity		Head ft	Speed r/min	Power (kw)		Motor (hp)	Efficiency %	Impeller Diam. inch	(NPSH) r ft
	m ³ /h	gpm			Shaft	Motor				
EAZS100/26-22004	99.5	437.9	100.8	1750	12.6	15	20	66	9.6	5.9
	165.8	729.8	90		16.5	18.5	25	75		6.6
	198.9	875.8	79.4		17.9	22	30	73		7.6



Performance to ISO9906 Grade 2 for clean cold water only

EF-A01/1406

Project _____	Project ID _____	Created by _____	Created on _____	Last update _____
---------------	------------------	------------------	------------------	-------------------