



# Technical Data

## End Suction Pump - EAZS125/26-37004 (SS316)

Revision no. \_\_\_\_\_  
Page: 1

Company name  
Respons. Department  
Person in charge  
Phone number  
Fax no  
E-mail address

Receiver	From



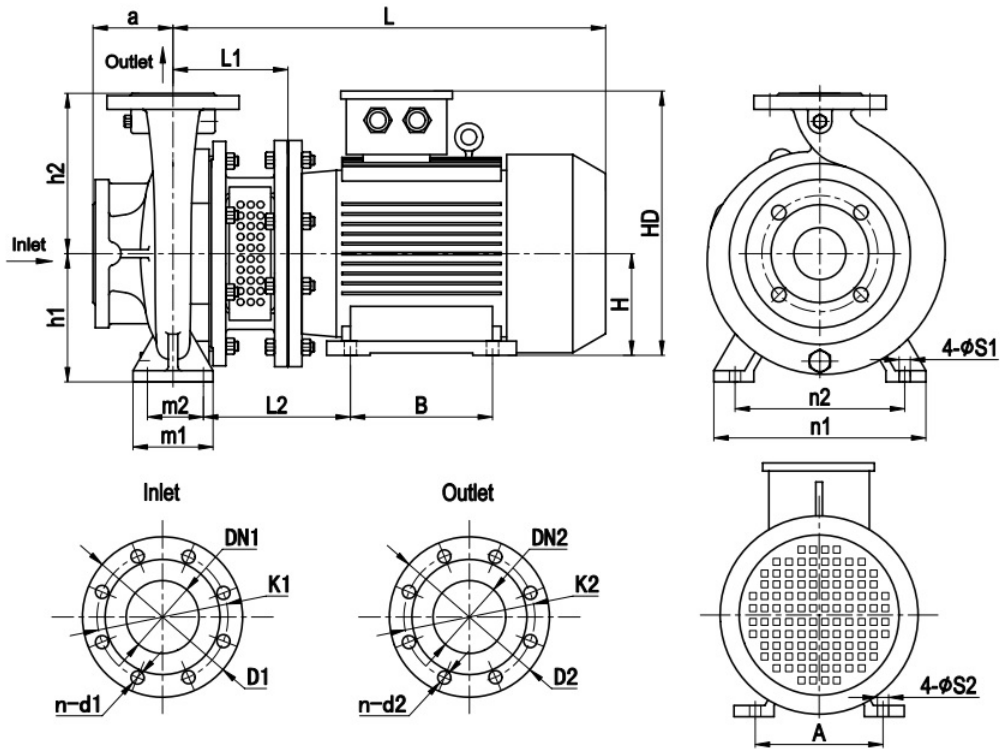
**Brand: Gol Pumps**  
**Model: EAZS125/26-37004 (SS316)**

Motor (B35)	
Model	hp
Y2-225S-4	50

Weight (lb)		
Pump	Motor	Pump & motor
262	664	924

Pump Material	Stainless Steel 316/AISI 316
Casing	Stainless Steel 316/AISI 316
Impeller	Stainless Steel 316/AISI 316
Shaft	Stainless Steel 316/AISI 316
Mechanical Seal	Silicon Carbide

**Dimensions:**



ISO7005.2 DIN2501 PN16 GB/T17241.6 PN1.6									
DN1 / DN2	1.25	1.5	2	2.5	3	4	5	6	8
D1 / D2	5.51	5.91	6.50	7.28	7.87	8.66	9.84	11.22	13.39
K1 / K2	3.94	4.33	4.92	5.71	6.30	7.09	8.27	9.45	11.61
n-d1 / n-d2	4-Ø18	4-Ø18	4-Ø18	4-Ø18	8-Ø18	8-Ø18	8-Ø18	8-Ø22	12-Ø22

Inlet and outlet flange	
DN1	DN2
6	5

Pump installation size (inch)															
a	h1	h2	L1	L2	L	A	B	H	HD	m1	m2	n1	n2	S1	S2
5.51	9.84	13.98	10.87	14.37	37.48	14.02	11.26	8.86	22.05	6.30	4.72	15.75	12.40	0.71	0.75

Project	Project ID	Created by	Created on	Last update
---------	------------	------------	------------	-------------



# Performance Curves

## End Suction Pump - EAZS125/26-37004 (SS316)

Revision no. \_\_\_\_\_  
 \_\_\_\_\_

Page:  
 2

Receiver \_\_\_\_\_

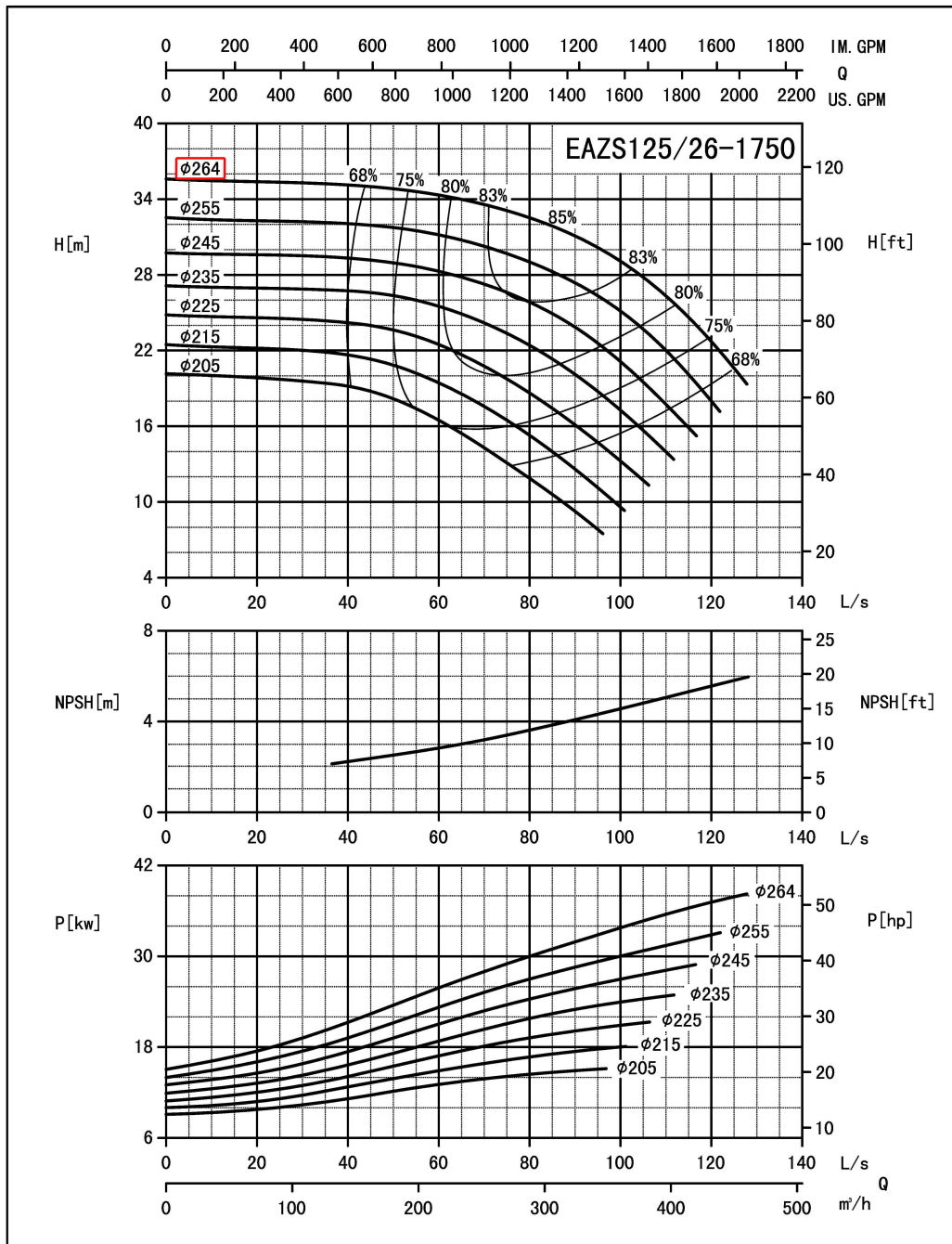
From \_\_\_\_\_

Company name \_\_\_\_\_  
 Respons. Department \_\_\_\_\_  
 Person in charge \_\_\_\_\_  
 Phone number \_\_\_\_\_  
 Fax no \_\_\_\_\_  
 E-mail address \_\_\_\_\_

\_\_\_\_\_

\_\_\_\_\_

Model	Capacity		Head ft	Speed r/min	Power (kw)		Motor (hp)	Efficiency %	Impeller Diam. inch	(NPSH) r ft
	m <sup>3</sup> /h	gpm			Shaft	Motor				
EAZS125/26-37004	173.8	765.2	114.7	1750	23.3	30	40	71	10.4	7.2
	289.7	1275.4	106.1		30.4	37	50	84		9.2
	347.6	1530.5	98		33.8	37	50	83.5		10.8



Performance to ISO9906 Grade 2 for clean cold water only

EF-A01/1406

Project _____	Project ID _____	Created by _____	Created on _____	Last update _____
---------------	------------------	------------------	------------------	-------------------