



Technical Data

End Suction Pump - EAZS32/13-04002

Revision no.

 Page:
1

Receiver

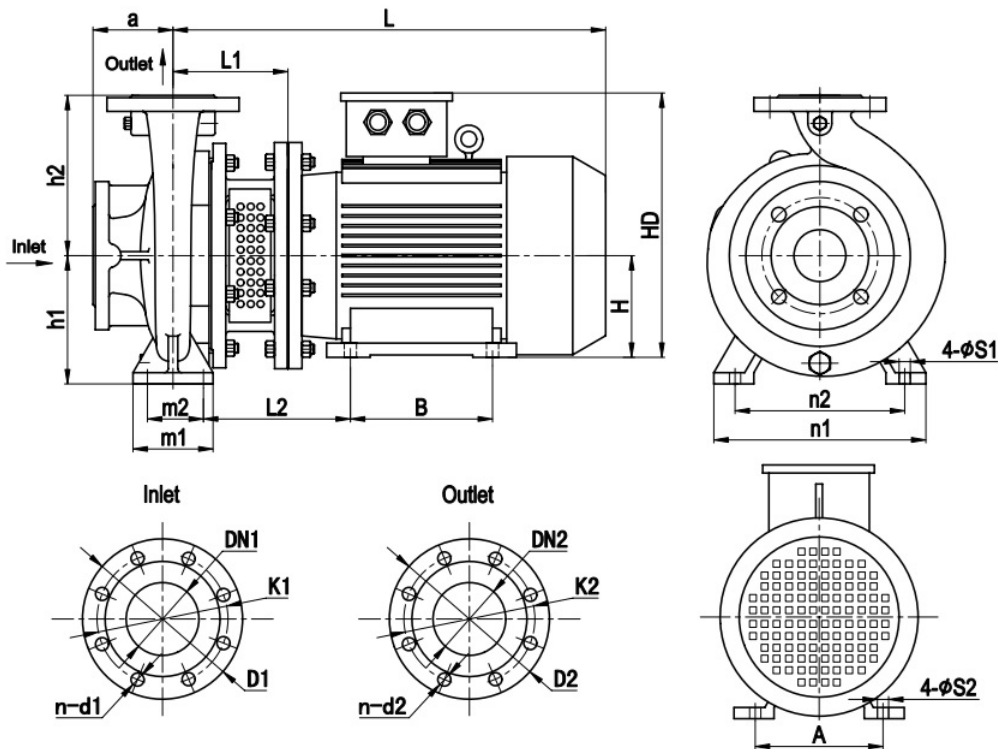
From

 Company name
 Respons. Department
 Person in charge
 Phone number
 Fax no
 E-mail address

Brand: Gol Pumps
Model: EAZS32/13-04002

Motor (B35)	
Model	hp
Y2-112M-2	5.5

Weight (lb)		
Pump	Motor	Pump & motor
64	95	159

Dimensions:


ISO7005.2 DIN2501 PN16 GB/T17241.6 PN1.6									
DN1 / DN2	1.25	1.5	2	2.5	3	4	5	6	8
D1 / D2	5.51	5.91	6.50	7.28	7.87	8.66	9.84	11.22	13.39
K1 / K2	3.94	4.33	4.92	5.71	6.30	7.09	8.27	9.45	11.61
n-d1 / n-d2	4-Ø18	4-Ø18	4-Ø18	4-Ø18	8-Ø18	8-Ø18	8-Ø18	8-Ø22	12-Ø22

Inlet and outlet flange	
DN1	DN2
2	1.25

Pump installation size (inch)															
a	h1	h2	L1	L2	L	A	B	H	HD	m1	m2	n1	n2	S1	S2
3.1	4.4	5.5	6.5	7.8	19.8	7.5	5.5	4.4	11.8	3.9	2.8	7.5	5.5	0.6	0.5

Project

Project ID

Created by

Created on

Last update



Performance Curves

End Suction Pump - EAZS32/13-04002

Revision no.

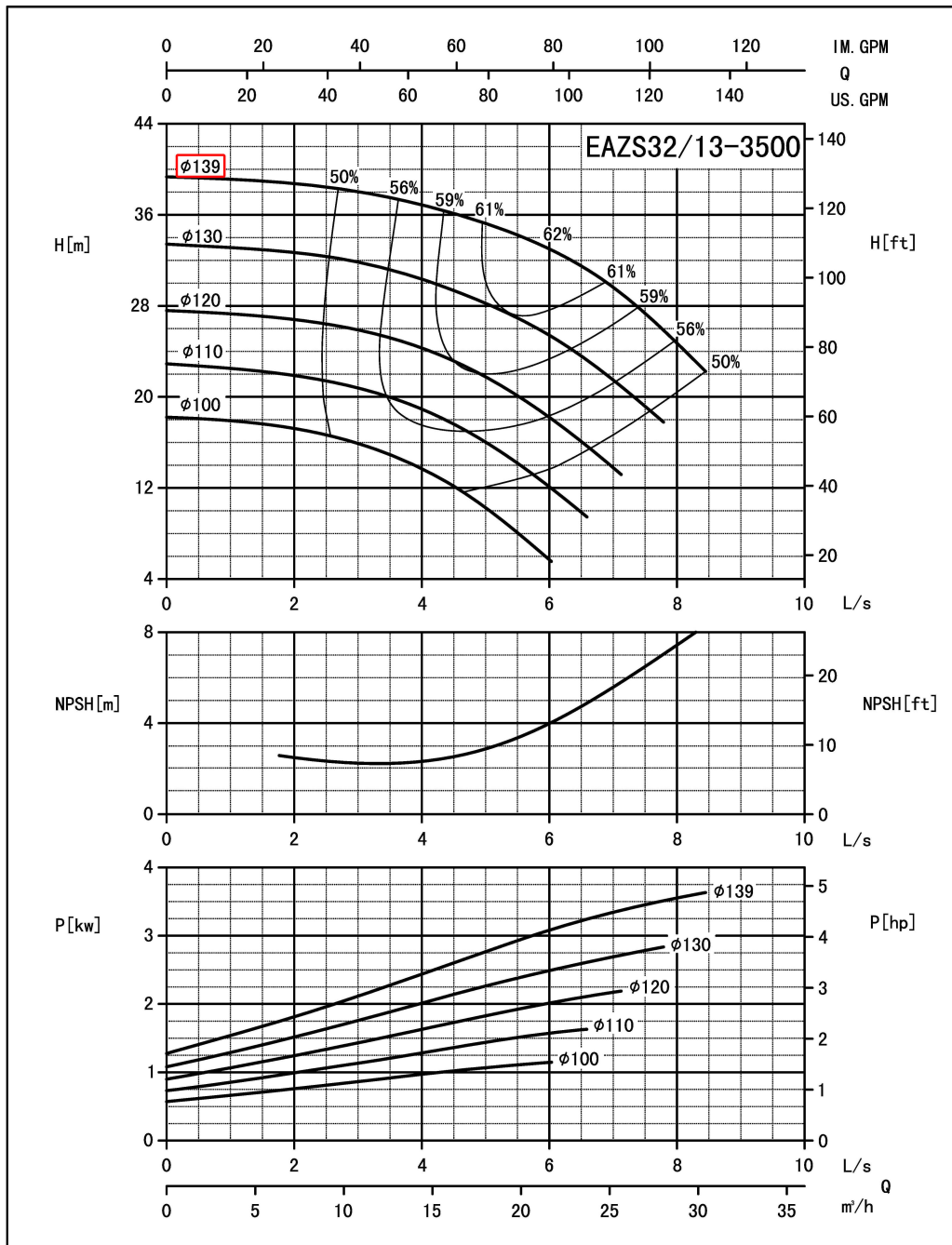
 Page:
2

Receiver

From

 Company name
 Respons. Department
 Person in charge
 Phone number
 Fax no
 E-mail address

Model	Capacity		Head ft	Speed r/min	Power (kw)		Motor (hp)	Efficiency %	Impeller Diam. inch	(NPSH) r ft
	m ³ /h	gpm			Shaft	Motor				
EAZS32/13-04002	10.9	47.9	124.3	3500	2.2	3	4	52	5.5	4.6
	18.1	79.8	114.7		2.8	4	5.5	61		5.6
	21.7	95.7	107.5		3.1	4	5.5	62		8.2



Performance to ISO9906 Grade 2 for clean cold water only

EF•A01/1406

Project

Project ID

Created by

Created on

Last update