



Technical Data

End Suction Pump - EAZS32/16-01104 (SS316)

Revision no.

 Page:
1

Receiver

From

 Company name
 Respons. Department
 Person in charge
 Phone number
 Fax no
 E-mail address

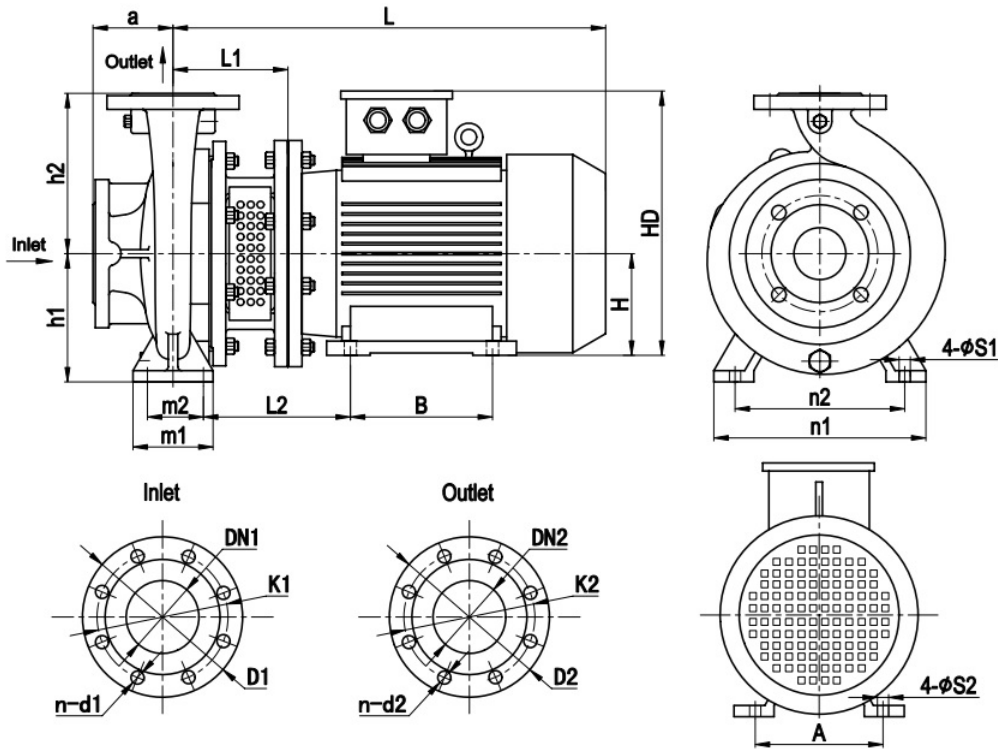

Brand: Gol Pumps
Model: EAZS32/16-01104 (SS316)

Motor (B35)	
Model	hp
Y2-90S-4	1.5

Weight (lb)		
Pump	Motor	Pump & motor
71	49	119

Pump Material	Stainless Steel 316/AISI 316
Casing	Stainless Steel 316/AISI 316
Impeller	Stainless Steel 316/AISI 316
Shaft	Stainless Steel 316/AISI 316
Mechanical Seal	Silicon Carbide

Dimensions:



ISO7005.2 DIN2501 PN16 GB/T17241.6 PN1.6									
DN1 / DN2	1.25	1.5	2	2.5	3	4	5	6	8
D1 / D2	5.51	5.91	6.50	7.28	7.87	8.66	9.84	11.22	13.39
K1 / K2	3.94	4.33	4.92	5.71	6.30	7.09	8.27	9.45	11.61
n-d1 / n-d2	4- \varnothing 18	4- \varnothing 18	4- \varnothing 18	4- \varnothing 18	8- \varnothing 18	8- \varnothing 18	8- \varnothing 18	8- \varnothing 22	12- \varnothing 22

Inlet and outlet flange	
DN1	DN2
2	1.25

Pump installation size (inch)															
a	h1	h2	L1	L2	L	A	B	H	HD	m1	m2	n1	n2	S1	S2
3.15	5.20	6.30	5.98	6.81	16.61	5.51	3.94	3.54	9.84	3.94	2.76	9.45	7.48	0.55	0.39

Project

Project ID

Created by

Created on

Last update



Performance Curves

End Suction Pump - EAZS32/16-01104 (SS316)

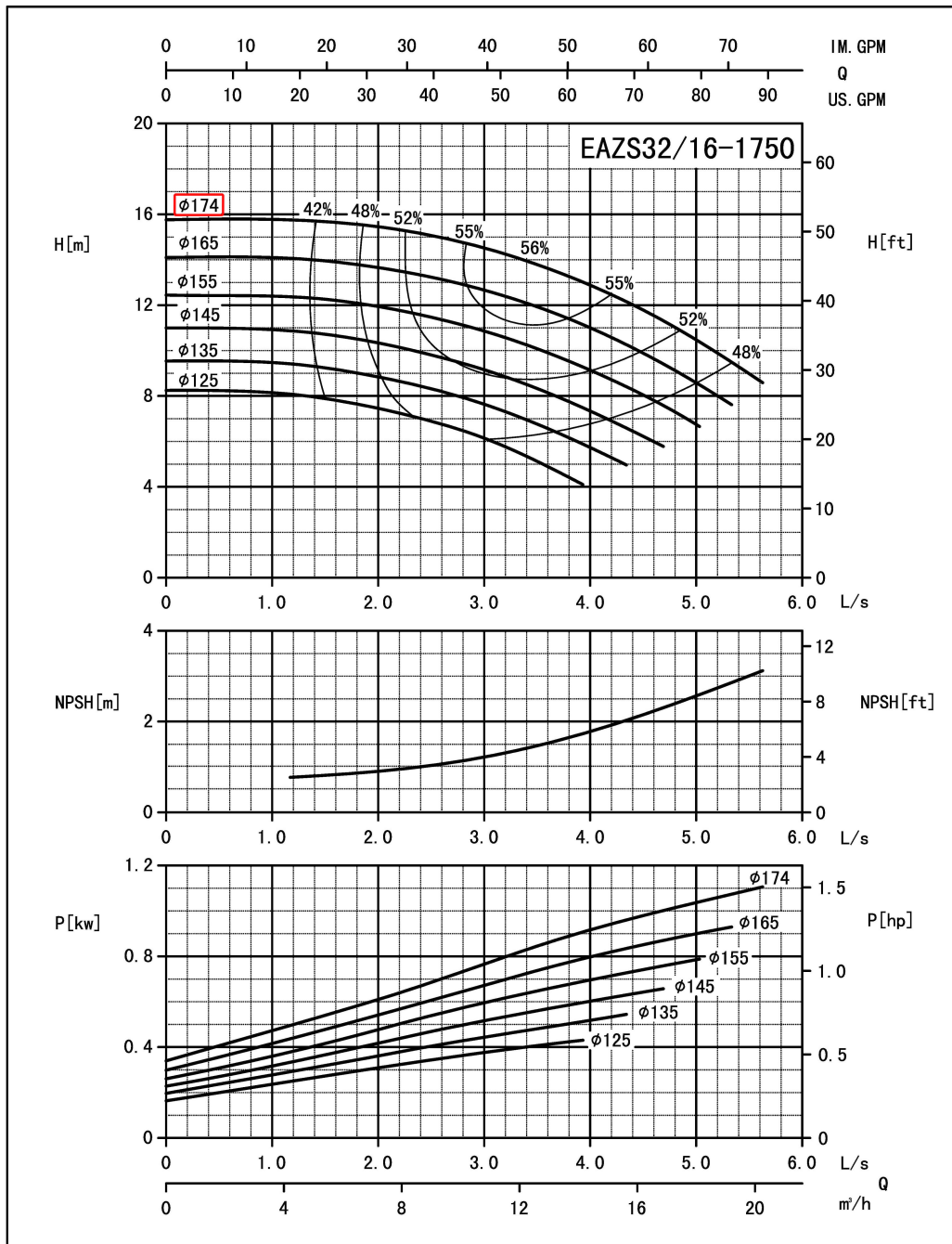
Revision no. _____

Page: 2

Receiver	From

Company name _____
 Respons. Department _____
 Person in charge _____
 Phone number _____
 Fax no _____
 E-mail address _____

Model	Capacity		Head ft	Speed r/min	Power (kw)		Motor (hp)	Efficiency %	Impeller Diam. inch	(NPSH) r ft
	m ³ /h	gpm			Shaft	Motor				
EAZS32/16-01104	5.2	22.9	50.7	1750	0.5	0.75	1	47.5	6.9	5.9
	8.7	38.2	48.3		0.6	1.1	1.5	55		6.6
	10.4	45.8	45.4		0.7	1.1	1.5	56		7.2



Performance to ISO9906 Grade 2 for clean cold water only

EF-A01/1406

Project	Project ID	Created by	Created on	Last update
---------	------------	------------	------------	-------------