



Technical Data

End Suction Pump - EAZS32/16-05502

Revision no. _____

Page: 1

Receiver _____

From _____

Company name _____
 Respons. Department _____
 Person in charge _____
 Phone number _____
 Fax no _____
 E-mail address _____

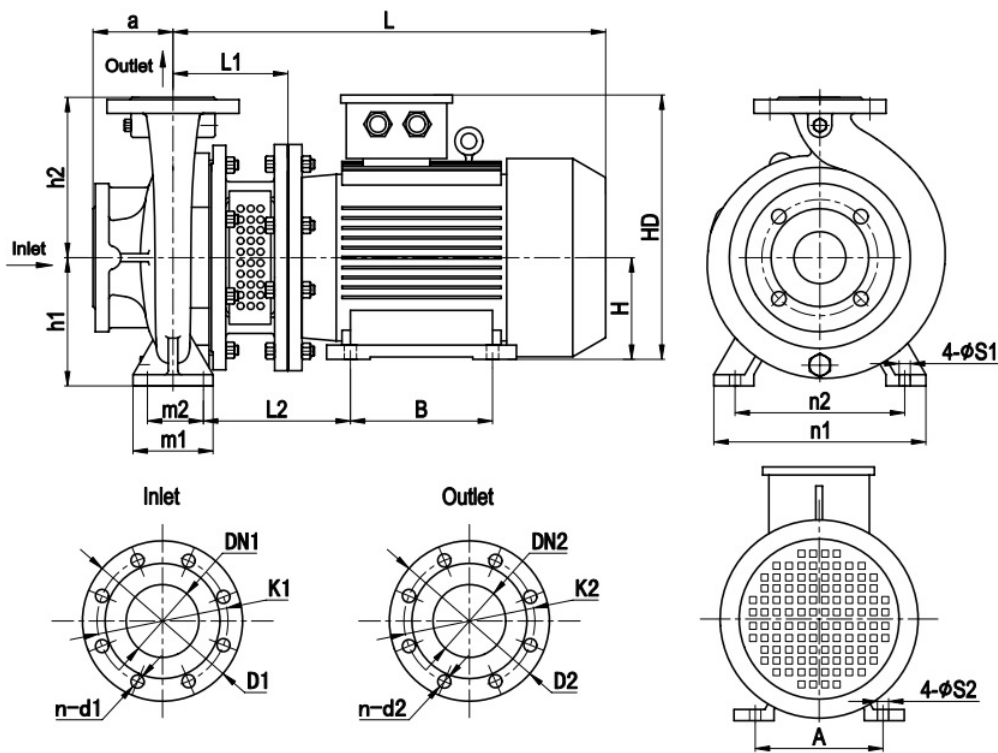


Brand: Gol Pumps
Model: EAZS32/16-05502

Motor (B35)	
Model	hp
Y2-132S1-2	7.5

Weight (lb)		
Pump	Motor	Pump & motor
84	144	227

Dimensions:



	ISO7005.2 DIN2501 PN16 GB/T17241.6 PN1.6									
DN1 / DN2	1.25	1.5	2	2.5	3	4	5	6	8	
D1 / D2	5.51	5.91	6.50	7.28	7.87	8.66	9.84	11.22	13.39	
K1 / K2	3.94	4.33	4.92	5.71	6.30	7.09	8.27	9.45	11.61	
n-d1 / n-d2	4-Ø18	4-Ø18	4-Ø18	4-Ø18	8-Ø18	8-Ø18	8-Ø18	8-Ø22	12-Ø22	

Inlet and outlet flange	
DN1	DN2
2	1.25

Pump installation size (inch)															
a	h1	h2	L1	L2	L	A	B	H	HD	m1	m2	n1	n2	S1	S2
3.1	5.2	6.3	7.4	9.5	22.7	8.5	5.5	5.2	13.6	3.9	2.8	9.4	7.5	0.6	0.5

Project _____	Project ID _____	Created by _____	Created on _____	Last update _____
---------------	------------------	------------------	------------------	-------------------



Performance Curves

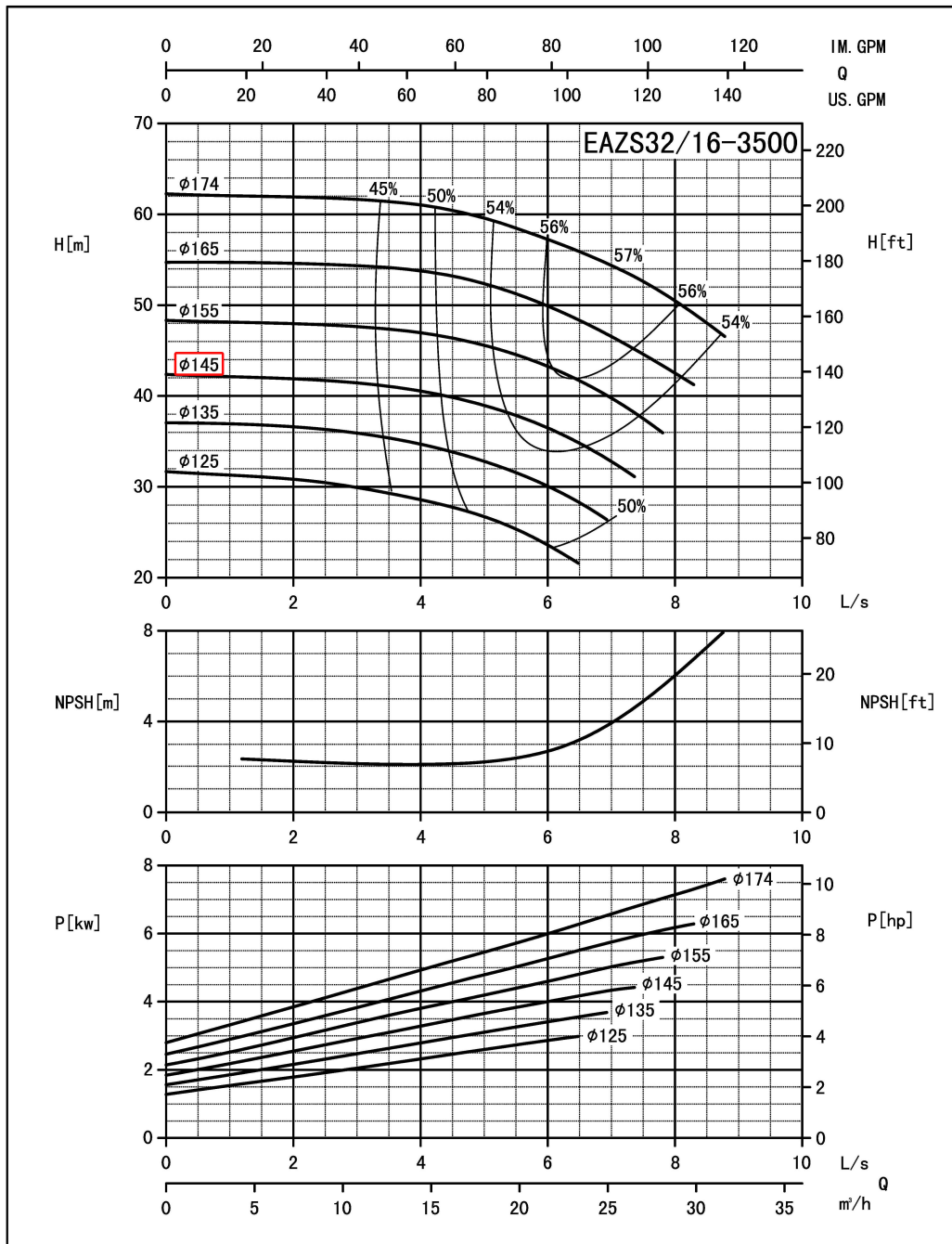
End Suction Pump - EAZS32/16-05502

Revision no. _____
Page: 2

Receiver	From

Company name
Respons. Department
Person in charge
Phone number
Fax no
E-mail address

Model	Capacity		Head	Speed	Power (kw)		Motor (hp)	Efficiency	Impeller Diam.	(NPSH) r
	m ³ /h	gpm	ft	r/min	Shaft	Motor		%	inch	ft
EAZS32/16-05502	10.9	47.8	135.1	3500	2.8	4	5	43	5.7	6.2
	18.1	79.7	126.6		3.6	5.5	7.5	53		7.2
	21.7	95.6	119.5		3.9	5.5	7.5	54.5		12.1



Performance to ISO9906 Grade 2 for clean cold water only

EF•A01/1406

Project	Project ID	Created by	Created on	Last update
---------	------------	------------	------------	-------------