



# Technical Data

## End Suction Pump - EAZS32/16-07502

Revision no.

 Page:  
1

Receiver

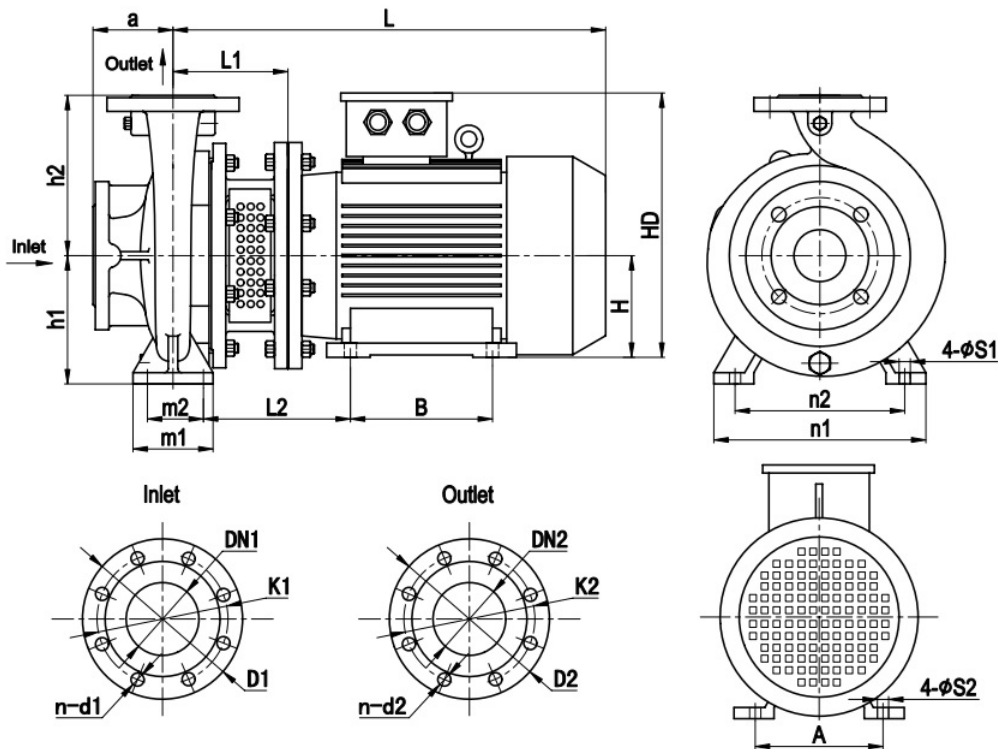
From

 Company name  
 Respons. Department  
 Person in charge  
 Phone number  
 Fax no  
 E-mail address

**Brand: Gol Pumps**  
**Model: EAZS32/16-07502**

Motor (B35)	
Model	hp
Y2-132S2-2	10

Weight (lb)		
Pump	Motor	Pump & motor
84	152	236

**Dimensions:**


ISO7005.2 DIN2501 PN16 GB/T17241.6 PN1.6									
DN1 / DN2	1.25	1.5	2	2.5	3	4	5	6	8
D1 / D2	5.51	5.91	6.50	7.28	7.87	8.66	9.84	11.22	13.39
K1 / K2	3.94	4.33	4.92	5.71	6.30	7.09	8.27	9.45	11.61
n-d1 / n-d2	4-Ø18	4-Ø18	4-Ø18	4-Ø18	8-Ø18	8-Ø18	8-Ø18	8-Ø22	12-Ø22

Inlet and outlet flange	
DN1	DN2
2	1.25

Pump installation size (inch)															
a	h1	h2	L1	L2	L	A	B	H	HD	m1	m2	n1	n2	S1	S2
3.1	5.2	6.3	7.4	9.5	22.7	8.5	5.5	5.2	13.6	3.9	2.8	9.4	7.5	0.6	0.5

Project

Project ID

Created by

Created on

Last update



# Performance Curves

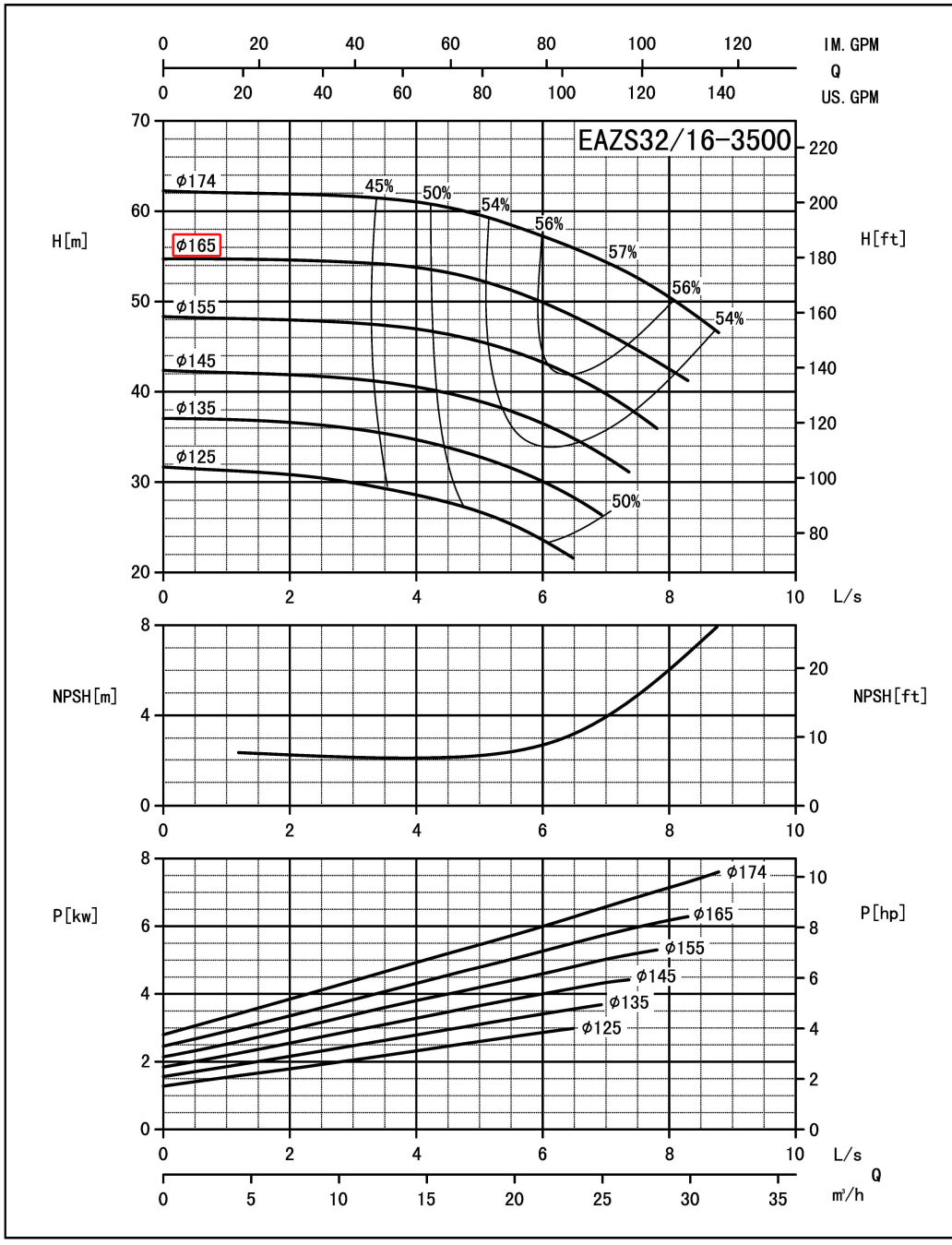
## End Suction Pump - EAZS32/16-07502

Revision no. \_\_\_\_\_  
 Page: 2

Receiver	From

Company name \_\_\_\_\_  
 Respons. Department \_\_\_\_\_  
 Person in charge \_\_\_\_\_  
 Phone number \_\_\_\_\_  
 Fax no \_\_\_\_\_  
 E-mail address \_\_\_\_\_

Model	Capacity		Head ft	Speed r/min	Power (kw)		Motor (hp)	Efficiency %	Impeller Diam. inch	(NPSH) r ft
	m <sup>3</sup> /h	gpm			Shaft	Motor				
EAZS32/16-07502	12.4	54.4	176.8	3500	4	5.5	7	45.5	6.5	6.2
	20.6	90.7	165.3		5.1	7.5	10	55.5		7.2
	24.7	108.8	153.4		5.6	7.5	10	56.3		12.1



Performance to ISO9906 Grade 2 for clean cold water only

EF•A01/1406

Project	Project ID	Created by	Created on	Last update
---------	------------	------------	------------	-------------