



# Technical Data

## End Suction Pump - EAZS32/20-11002

Revision no. \_\_\_\_\_

Page: 1

Receiver \_\_\_\_\_

From \_\_\_\_\_

Company name \_\_\_\_\_  
 Respons. Department \_\_\_\_\_  
 Person in charge \_\_\_\_\_  
 Phone number \_\_\_\_\_  
 Fax no \_\_\_\_\_  
 E-mail address \_\_\_\_\_



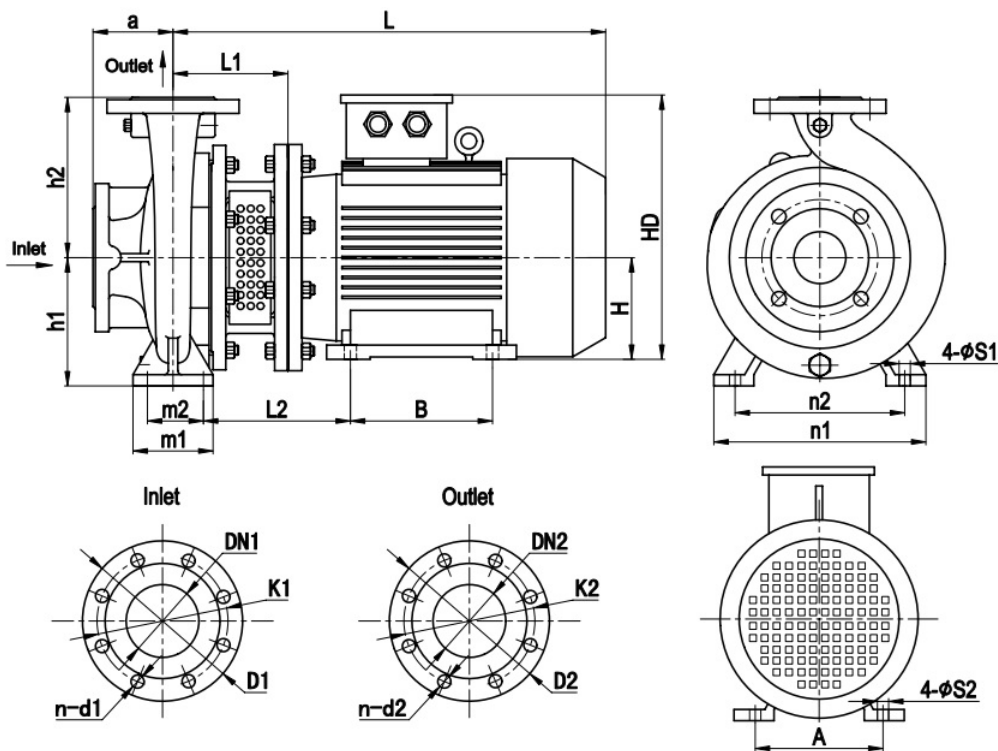


**Brand: Gol Pumps**  
**Model: EAZS32/20-11002**

Motor (B35)	
Model	hp
Y2-160M1-2	15

Weight (lb)		
Pump	Motor	Pump & motor
108	238	346

**Dimensions:**



	ISO7005.2 DIN2501 PN16 GB/T17241.6 PN1.6									
DN1 / DN2	1.25	1.5	2	2.5	3	4	5	6	8	
D1 / D2	5.51	5.91	6.50	7.28	7.87	8.66	9.84	11.22	13.39	
K1 / K2	3.94	4.33	4.92	5.71	6.30	7.09	8.27	9.45	11.61	
n-d1 / n-d2	4-Ø18	4-Ø18	4-Ø18	4-Ø18	8-Ø18	8-Ø18	8-Ø18	8-Ø22	8-Ø22	12-Ø22

Inlet and outlet flange	
DN1	DN2
2	1.25

Pump installation size (inch)															
a	h1	h2	L1	L2	L	A	B	H	HD	m1	m2	n1	n2	S1	S2
3.1	6.3	7.1	8.6	11.5	28.5	10	8.3	6.3	16.5	3.9	2.8	9.4	7.5	0.6	0.6

Project _____	Project ID _____	Created by _____	Created on _____	Last update _____
---------------	------------------	------------------	------------------	-------------------



# Performance Curves

## End Suction Pump - EAZS32/20-11002

Revision no. \_\_\_\_\_  
 \_\_\_\_\_

Page: 2

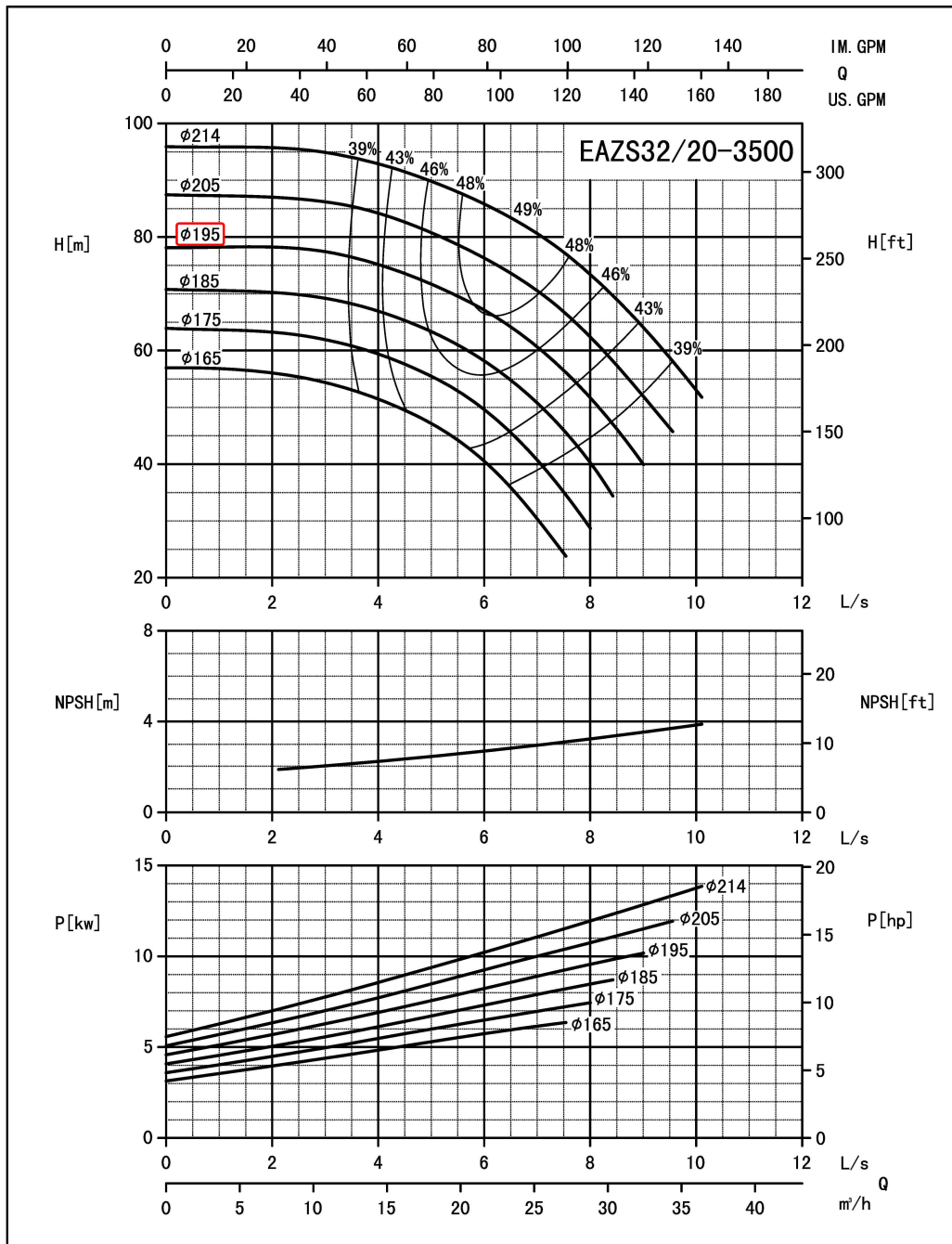
Receiver \_\_\_\_\_ From \_\_\_\_\_

Company name \_\_\_\_\_  
 Respons. Department \_\_\_\_\_  
 Person in charge \_\_\_\_\_  
 Phone number \_\_\_\_\_  
 Fax no \_\_\_\_\_  
 E-mail address \_\_\_\_\_

\_\_\_\_\_

\_\_\_\_\_

Model	Capacity		Head ft	Speed r/min	Power (kw)		Motor (hp)	Efficiency %	Impeller Diam. inch	(NPSH) r ft
	m <sup>3</sup> /h	gpm			Shaft	Motor				
EAZS32/20-11002	11.9	52.3	249.5	3500	6.4	7.5	10	38.6	7.7	5.2
	19.8	87.2	228		7.9	11	15	47.5		6.4
	23.8	104.6	206.4		8.7	11	15	47		7.2



Performance to ISO9906 Grade 2 for clean cold water only

EF•A01/1406

Project _____	Project ID _____	Created by _____	Created on _____	Last update _____
---------------	------------------	------------------	------------------	-------------------