



Technical Data

End Suction Pump - EAZS32/26-04004 (SS316)

Revision no.

 Page:
1

Receiver

From

 Company name
 Respons. Department
 Person in charge
 Phone number
 Fax no
 E-mail address

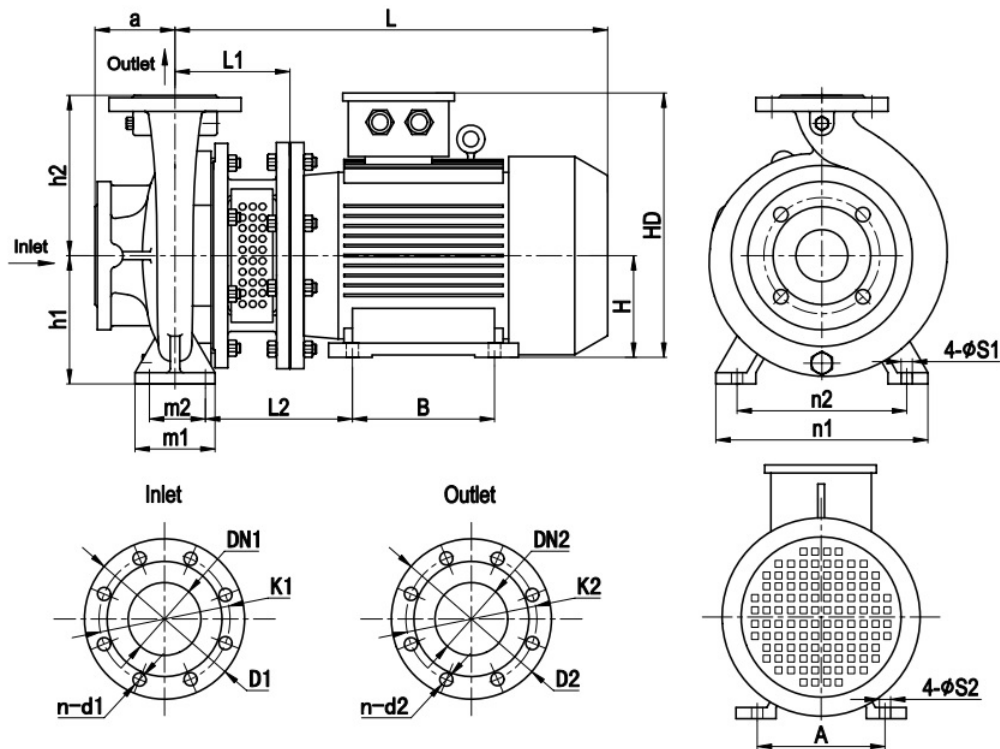

Brand: Gol Pumps
Model: EAZS32/26-04004 (SS316)

Motor (B35)	
Model	hp
Y2-112M-4	5.5

Weight (lb)		
Pump	Motor	Pump & motor
121	104	225

Pump Material	Stainless Steel 316/AISI 316
Casing	Stainless Steel 316/AISI 316
Impeller	Stainless Steel 316/AISI 316
Shaft	Stainless Steel 316/AISI 316
Mechanical Seal	Silicon Carbide

Dimensions:



	ISO7005.2 DIN2501 PN16 GB/T17241.6 PN1.6									
DN1 / DN2	1.25	1.5	2	2.5	3	4	5	6	8	
D1 / D2	5.51	5.91	6.50	7.28	7.87	8.66	9.84	11.22	13.39	
K1 / K2	3.94	4.33	4.92	5.71	6.30	7.09	8.27	9.45	11.61	
n-d1 / n-d2	4-Ø18	4-Ø18	4-Ø18	4-Ø18	8-Ø18	8-Ø18	8-Ø18	8-Ø22	12-Ø22	

Inlet and outlet flange	
DN1	DN2
2	1.25

Pump installation size (inch)															
a	h1	h2	L1	L2	L	A	B	H	HD	m1	m2	n1	n2	S1	S2
3.94	7.09	8.86	6.85	7.66	20.24	7.48	5.51	4.41	11.81	4.92	3.74	12.60	9.84	0.55	0.47

Project

Project ID

Created by

Created on

Last update



Performance Curves

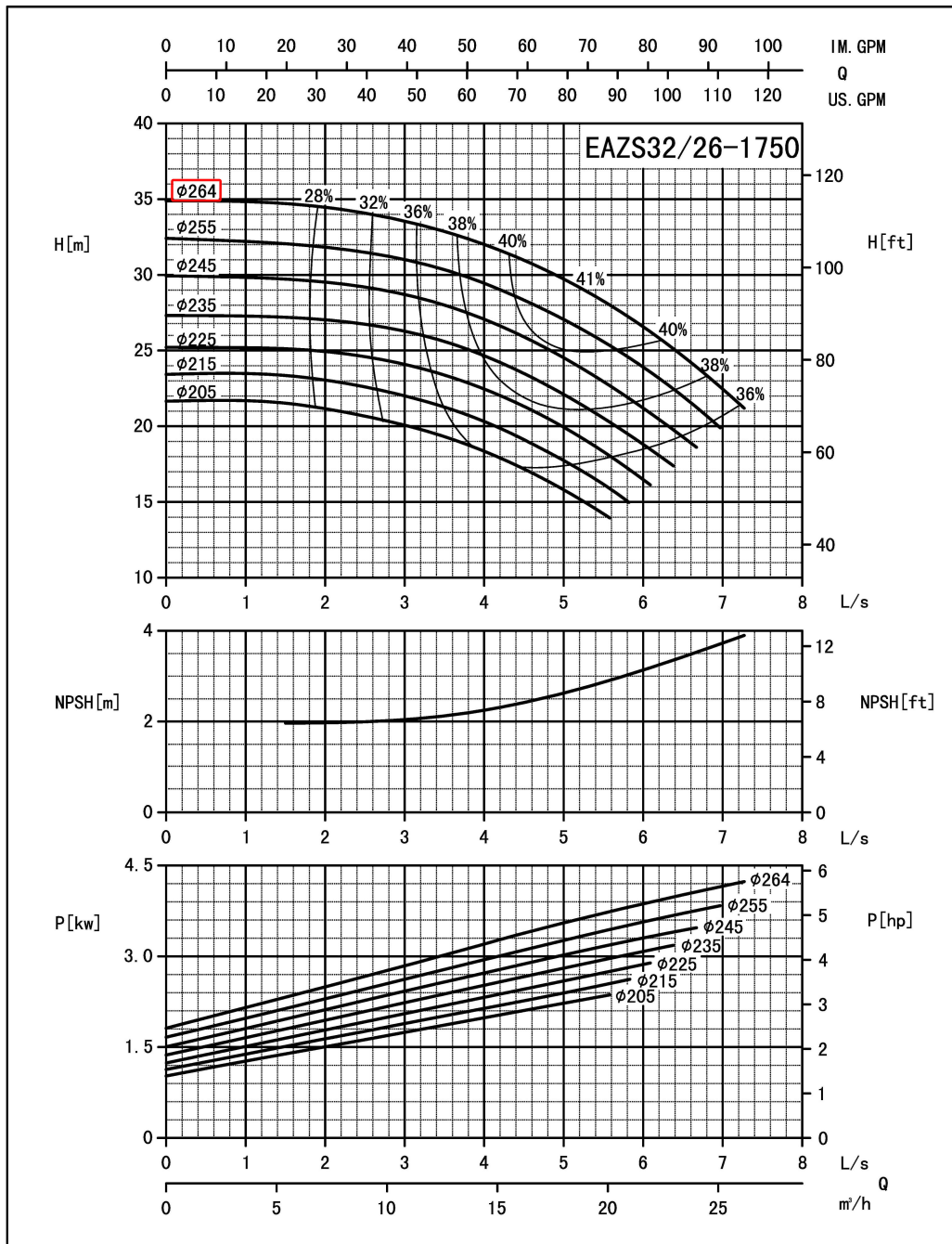
End Suction Pump - EAZS32/26-04004 (SS316)

Revision no. _____

Page:
 2

	Receiver	From
Company name		
Respons. Department		
Person in charge		
Phone number		
Fax no		
E-mail address		

Model	Capacity		Head ft	Speed r/min	Power (kw)		Motor (hp)	Efficiency %	Impeller Diam. inch	(NPSH) r ft
	m ³ /h	gpm			Shaft	Motor				
EAZS32/26-04004	6.6	29	113.3	1750	2.1	3	4	30	10.4	5.9
	11	48.3	107		2.6	3	4	38		6.9
	13.2	58	102.3		2.8	4	5.5	40		7.9



Performance to ISO9906 Grade 2 for clean cold water only

EF•A01/1406

Project	Project ID	Created by	Created on	Last update
---------	------------	------------	------------	-------------