



Technical Data

End Suction Pump - EAZS32/26-22002

Revision no. _____

Page: 1

| | | |
|---------------------|----------|------|
| | Receiver | From |
| Company name | | |
| Respons. Department | | |
| Person in charge | | |
| Phone number | | |
| Fax no | | |
| E-mail address | | |

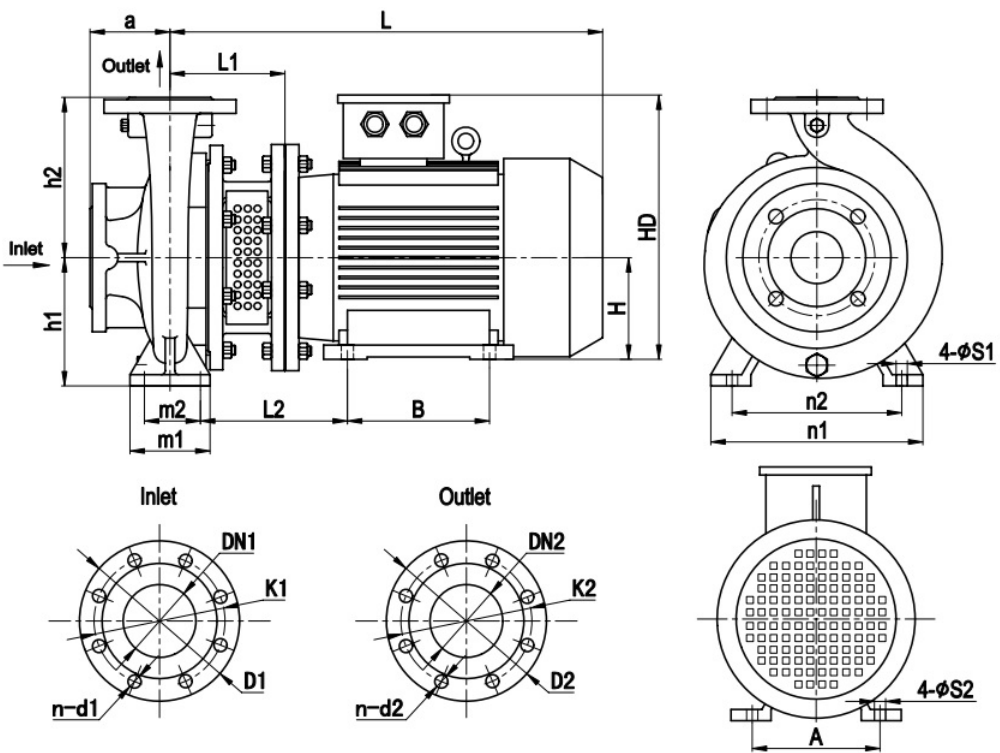


Brand: Gol Pumps
Model: EAZS32/26-22002

| Motor (B35) | |
|-------------|----|
| Model | hp |
| Y2-180M-2 | 30 |

| Weight (lb) | | |
|-------------|-------|--------------|
| Pump | Motor | Pump & motor |
| 141 | 342 | 483 |

Dimensions:



| ISO7005.2 DIN2501 PN16 GB/T17241.6 PN1.6 | | | | | | | | | |
|--|-------|-------|-------|-------|-------|-------|-------|-------|--------|
| DN1 / DN2 | 1.25 | 1.5 | 2 | 2.5 | 3 | 4 | 5 | 6 | 8 |
| D1 / D2 | 5.51 | 5.91 | 6.50 | 7.28 | 7.87 | 8.66 | 9.84 | 11.22 | 13.39 |
| K1 / K2 | 3.94 | 4.33 | 4.92 | 5.71 | 6.30 | 7.09 | 8.27 | 9.45 | 11.61 |
| n-d1 / n-d2 | 4-Ø18 | 4-Ø18 | 4-Ø18 | 4-Ø18 | 8-Ø18 | 8-Ø18 | 8-Ø18 | 8-Ø22 | 12-Ø22 |

| Inlet and outlet flange | |
|-------------------------|------|
| DN1 | DN2 |
| 2 | 1.25 |

| Pump installation size (inch) | | | | | | | | | | | | | | | |
|-------------------------------|-----|-----|----|------|------|----|-----|-----|------|-----|-----|------|-----|-----|-----|
| a | h1 | h2 | L1 | L2 | L | A | B | H | HD | m1 | m2 | n1 | n2 | S1 | S2 |
| 3.9 | 7.1 | 8.9 | 9 | 11.8 | 32.2 | 11 | 9.5 | 7.1 | 17.9 | 4.9 | 3.7 | 12.6 | 9.8 | 0.6 | 0.6 |

| | | | | |
|---------|------------|------------|------------|-------------|
| Project | Project ID | Created by | Created on | Last update |
|---------|------------|------------|------------|-------------|



Performance Curves

End Suction Pump - EAZS32/26-22002

Revision no.

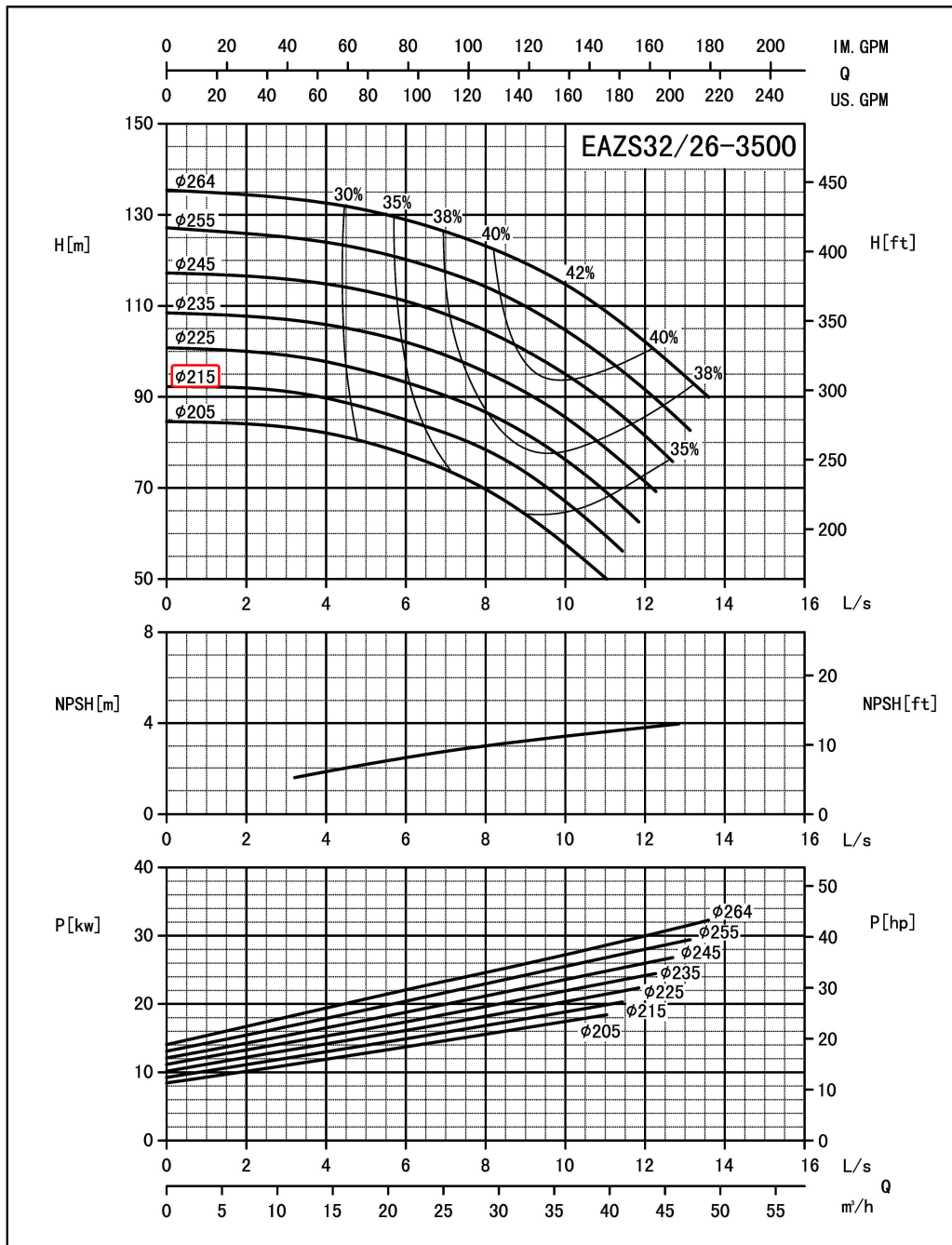
 Page:
2

Receiver

From

 Company name
 Respons. Department
 Person in charge
 Phone number
 Fax no
 E-mail address

| Model | Capacity | | Head ft | Speed r/min | Power (kw) | | Motor (hp) | Efficiency % | Impeller Diam. inch | (NPSH) r ft |
|-----------------|-------------------|-------|------------|----------------|------------|-------|------------|-----------------|------------------------|----------------|
| | m ³ /h | gpm | | | Shaft | Motor | | | | |
| EAZS32/26-22002 | 15.9 | 70.1 | 290.6 | 3500 | 12.8 | 15 | 20 | 30 | 8.5 | 6.9 |
| | 26.5 | 116.8 | 262.8 | | 16 | 18.5 | 25 | 36.2 | | 8.5 |
| | 31.8 | 140.2 | 243.7 | | 17.4 | 22 | 30 | 37 | | 10.2 |



Performance to ISO9906 Grade 2 for clean cold water only

EF-A01/1406

Project

Project ID

Created by

Created on

Last update