



Technical Data

End Suction Pump - EAZS40/13-04002 (SS316)

Revision no.

 Page:
1

Receiver

From

 Company name
 Respons. Department
 Person in charge
 Phone number
 Fax no
 E-mail address

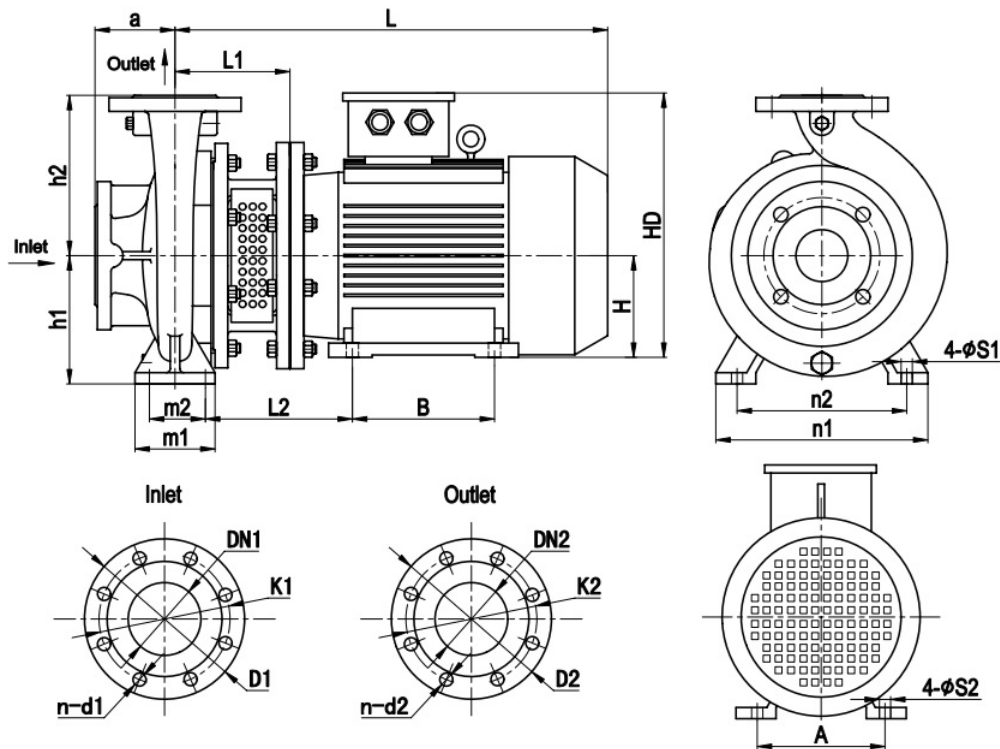

Brand: Gol Pumps
Model: EAZS40/13-04002 (SS316)

Motor (B35)	
Model	hp
Y2-112M-2	5.5

Weight (lb)		
Pump	Motor	Pump & motor
71	95	166

Pump Material	Stainless Steel 316/AISI 316
Casing	Stainless Steel 316/AISI 316
Impeller	Stainless Steel 316/AISI 316
Shaft	Stainless Steel 316/AISI 316
Mechanical Seal	Silicon Carbide

Dimensions:



	ISO7005.2 DIN2501 PN16 GB/T17241.6 PN1.6									
DN1 / DN2	1.25	1.5	2	2.5	3	4	5	6	8	
D1 / D2	5.51	5.91	6.50	7.28	7.87	8.66	9.84	11.22	13.39	
K1 / K2	3.94	4.33	4.92	5.71	6.30	7.09	8.27	9.45	11.61	
n-d1 / n-d2	4-Ø18	4-Ø18	4-Ø18	4-Ø18	8-Ø18	8-Ø18	8-Ø18	8-Ø22	12-Ø22	

Inlet and outlet flange	
DN1	DN2
2.5	1.5

Pump installation size (inch)															
a	h1	h2	L1	L2	L	A	B	H	HD	m1	m2	n1	n2	S1	S2
3.1	4.4	5.5	6.5	7.8	19.8	7.5	5.5	4.4	11.8	3.9	2.8	8.3	6.3	0.6	0.5

Project

Project ID

Created by

Created on

Last update



Performance Curves

End Suction Pump - EAZS40/13-04002 (SS316)

Revision no. _____

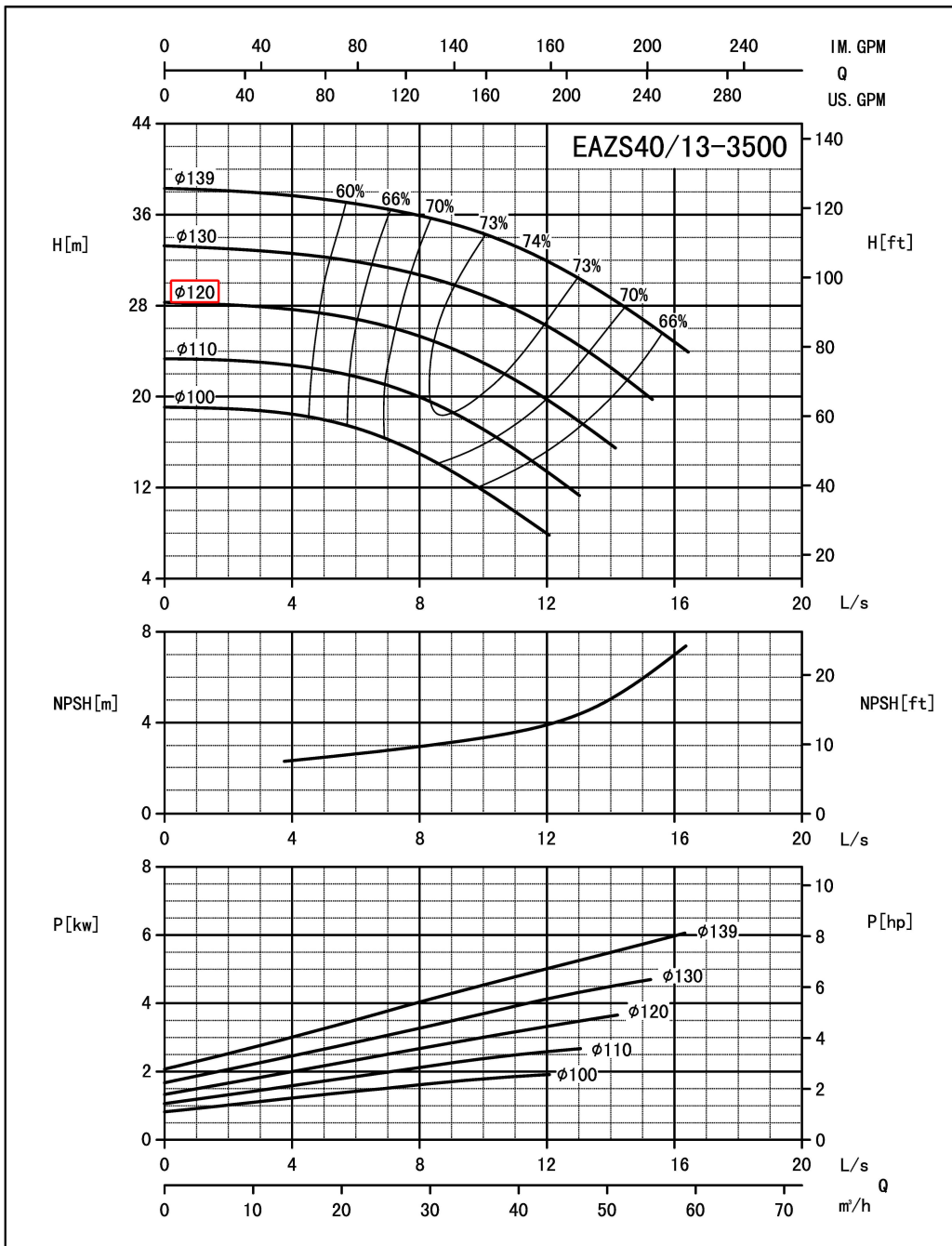
Page: 2

Receiver _____

From _____

Company name _____
 Respons. Department _____
 Person in charge _____
 Phone number _____
 Fax no _____
 E-mail address _____

Model	Capacity		Head ft	Speed r/min	Power (kw)		Motor (hp)	Efficiency %	Impeller Diam. inch	(NPSH) r ft
	m ³ /h	gpm			Shaft	Motor				
EAZS40/13-04002	18.7	82.5	88.4	3500	2.3	4	5.5	61	4.7	5.9
	31.2	137.6	81.2		2.9	4	5.5	73		6.6
	37.5	165.1	73.1		3.1	4	5.5	73		9.8



Performance to ISO9906 Grade 2 for clean cold water only

EF•A01/1406

Project _____	Project ID _____	Created by _____	Created on _____	Last update _____
---------------	------------------	------------------	------------------	-------------------