



Technical Data

End Suction Pump - EAZS40/13-04002

Revision no. _____

Page: 1

| | | |
|---------------------|----------|------|
| | Receiver | From |
| Company name | | |
| Respons. Department | | |
| Person in charge | | |
| Phone number | | |
| Fax no | | |
| E-mail address | | |

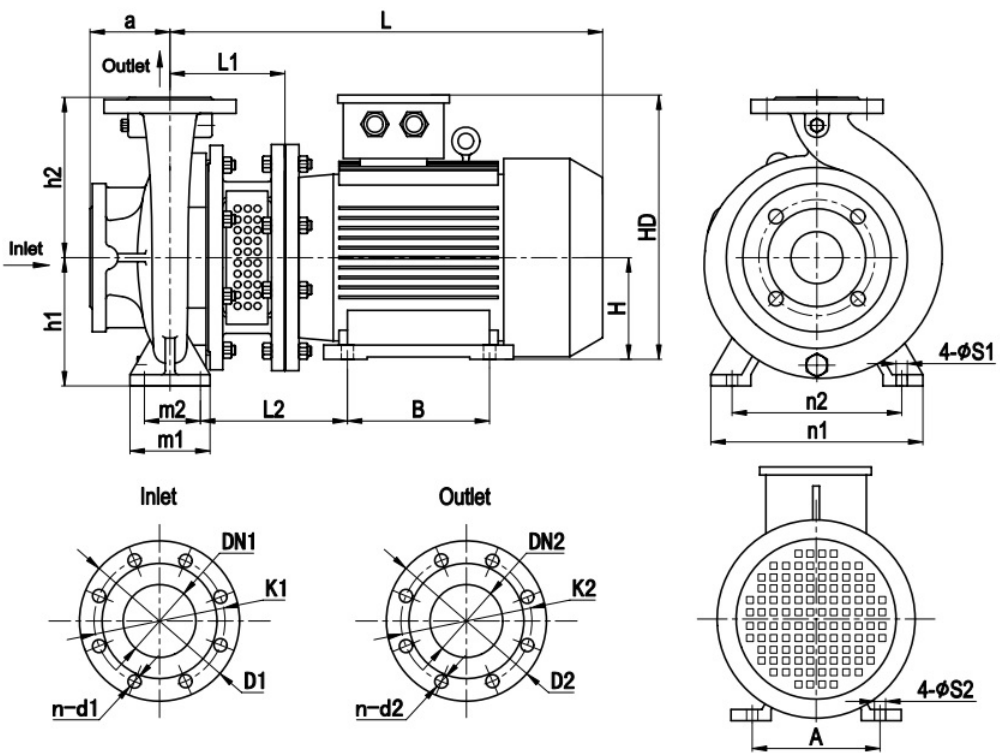


Brand: Gol Pumps
Model: EAZS40/13-04002

| Motor (B35) | |
|-------------|-----|
| Model | hp |
| Y2-112M-2 | 5.5 |

| Weight (lb) | | |
|-------------|-------|--------------|
| Pump | Motor | Pump & motor |
| 71 | 95 | 166 |

Dimensions:



| ISO7005.2 DIN2501 PN16 GB/T17241.6 PN1.6 | | | | | | | | | |
|--|-------|-------|-------|-------|-------|-------|-------|-------|--------|
| DN1 / DN2 | 1.25 | 1.5 | 2 | 2.5 | 3 | 4 | 5 | 6 | 8 |
| D1 / D2 | 5.51 | 5.91 | 6.50 | 7.28 | 7.87 | 8.66 | 9.84 | 11.22 | 13.39 |
| K1 / K2 | 3.94 | 4.33 | 4.92 | 5.71 | 6.30 | 7.09 | 8.27 | 9.45 | 11.61 |
| n-d1 / n-d2 | 4-Ø18 | 4-Ø18 | 4-Ø18 | 4-Ø18 | 8-Ø18 | 8-Ø18 | 8-Ø18 | 8-Ø22 | 12-Ø22 |

| Inlet and outlet flange | |
|-------------------------|-----|
| DN1 | DN2 |
| 2.5 | 1.5 |

| Pump installation size (inch) | | | | | | | | | | | | | | | |
|-------------------------------|-----|-----|-----|-----|------|-----|-----|-----|------|-----|-----|-----|-----|-----|-----|
| a | h1 | h2 | L1 | L2 | L | A | B | H | HD | m1 | m2 | n1 | n2 | S1 | S2 |
| 3.1 | 4.4 | 5.5 | 6.5 | 7.8 | 19.8 | 7.5 | 5.5 | 4.4 | 11.8 | 3.9 | 2.8 | 8.3 | 6.3 | 0.6 | 0.5 |

| | | | | |
|---------|------------|------------|------------|-------------|
| Project | Project ID | Created by | Created on | Last update |
|---------|------------|------------|------------|-------------|



Performance Curves

End Suction Pump - EAZS40/13-04002

Revision no.

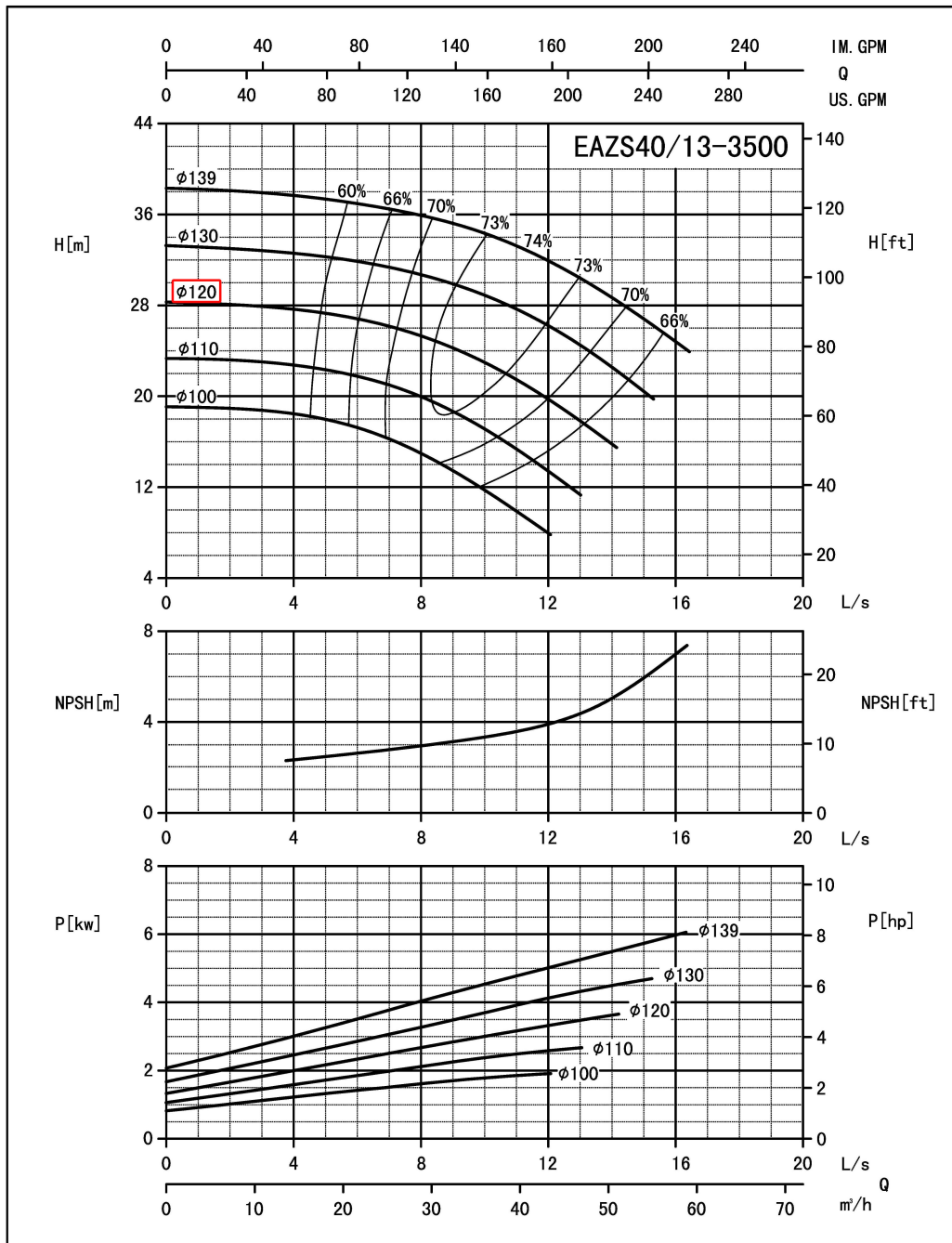
 Page:
2

Receiver

From

 Company name
 Respons. Department
 Person in charge
 Phone number
 Fax no
 E-mail address

| Model | Capacity | | Head ft | Speed r/min | Power (kw) | | Motor (hp) | Efficiency % | Impeller Diam. inch | (NPSH) r ft |
|-----------------|-------------------|-------|------------|----------------|------------|-------|------------|-----------------|------------------------|----------------|
| | m ³ /h | gpm | | | Shaft | Motor | | | | |
| EAZS40/13-04002 | 18.7 | 82.5 | 88.4 | 3500 | 2.3 | 4 | 5.5 | 61 | 4.7 | 5.9 |
| | 31.2 | 137.6 | 81.2 | | 2.9 | 4 | 5.5 | 73 | | 6.6 |
| | 37.5 | 165.1 | 73.1 | | 3.1 | 4 | 5.5 | 73 | | 9.8 |



Performance to ISO9906 Grade 2 for clean cold water only

EF•A01/1406

Project

Project ID

Created by

Created on

Last update