



Technical Data

End Suction Pump - EAZS40/16-01104 (SS316)

Revision no. _____

Page: 1

Company name
 Respons. Department
 Person in charge
 Phone number
 Fax no
 E-mail address

Receiver

From



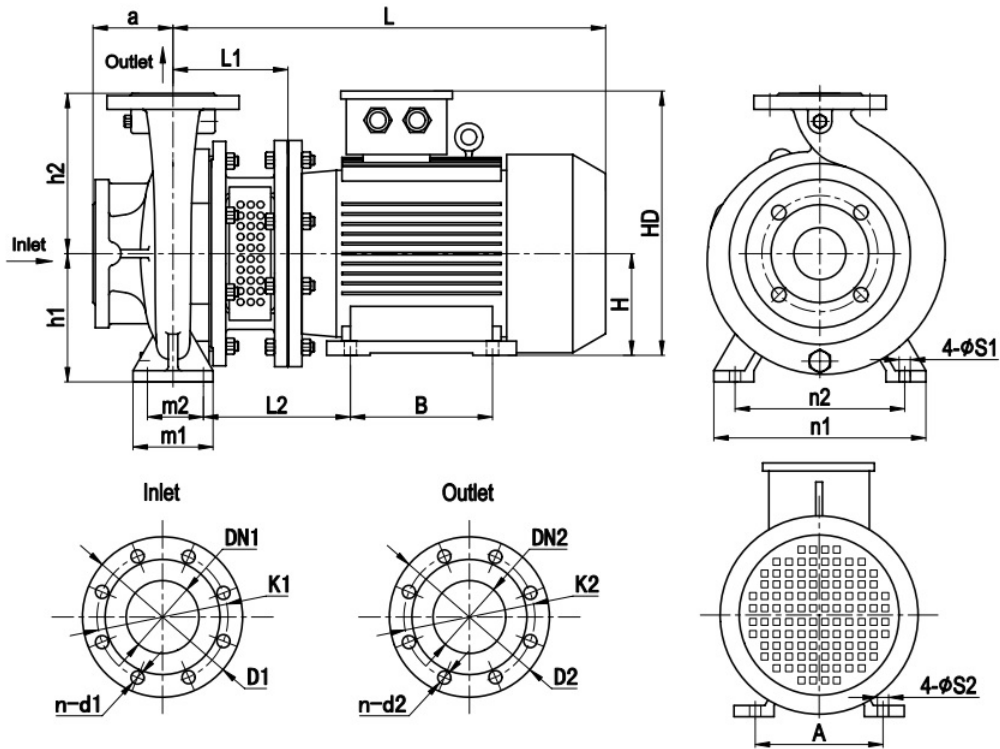
Brand: Gol Pumps
Model: EAZS40/16-01104 (SS316)

Motor (B35)	
Model	hp
Y2-90S-4	1.5

Weight (lb)		
Pump	Motor	Pump & motor
73	49	124

Pump Material	Stainless Steel 316/AISI 316
Casing	Stainless Steel 316/AISI 316
Impeller	Stainless Steel 316/AISI 316
Shaft	Stainless Steel 316/AISI 316
Mechanical Seal	Silicon Carbide

Dimensions:



	ISO7005.2 DIN2501 PN16 GB/T17241.6 PN1.6									
DN1 / DN2	1.25	1.5	2	2.5	3	4	5	6	8	
D1 / D2	5.51	5.91	6.50	7.28	7.87	8.66	9.84	11.22	13.39	
K1 / K2	3.94	4.33	4.92	5.71	6.30	7.09	8.27	9.45	11.61	
n-d1 / n-d2	4-Ø18	4-Ø18	4-Ø18	4-Ø18	8-Ø18	8-Ø18	8-Ø18	8-Ø22	12-Ø22	

Inlet and outlet flange	
DN1	DN2
2.5	1.5

Pump installation size (inch)															
a	h1	h2	L1	L2	L	A	B	H	HD	m1	m2	n1	n2	S1	S2
3.15	5.20	6.30	5.98	6.81	16.61	5.51	3.94	3.54	9.84	3.94	2.76	9.45	7.48	0.55	0.39

Project _____ Project ID _____ Created by _____ Created on _____ Last update _____



Performance Curves

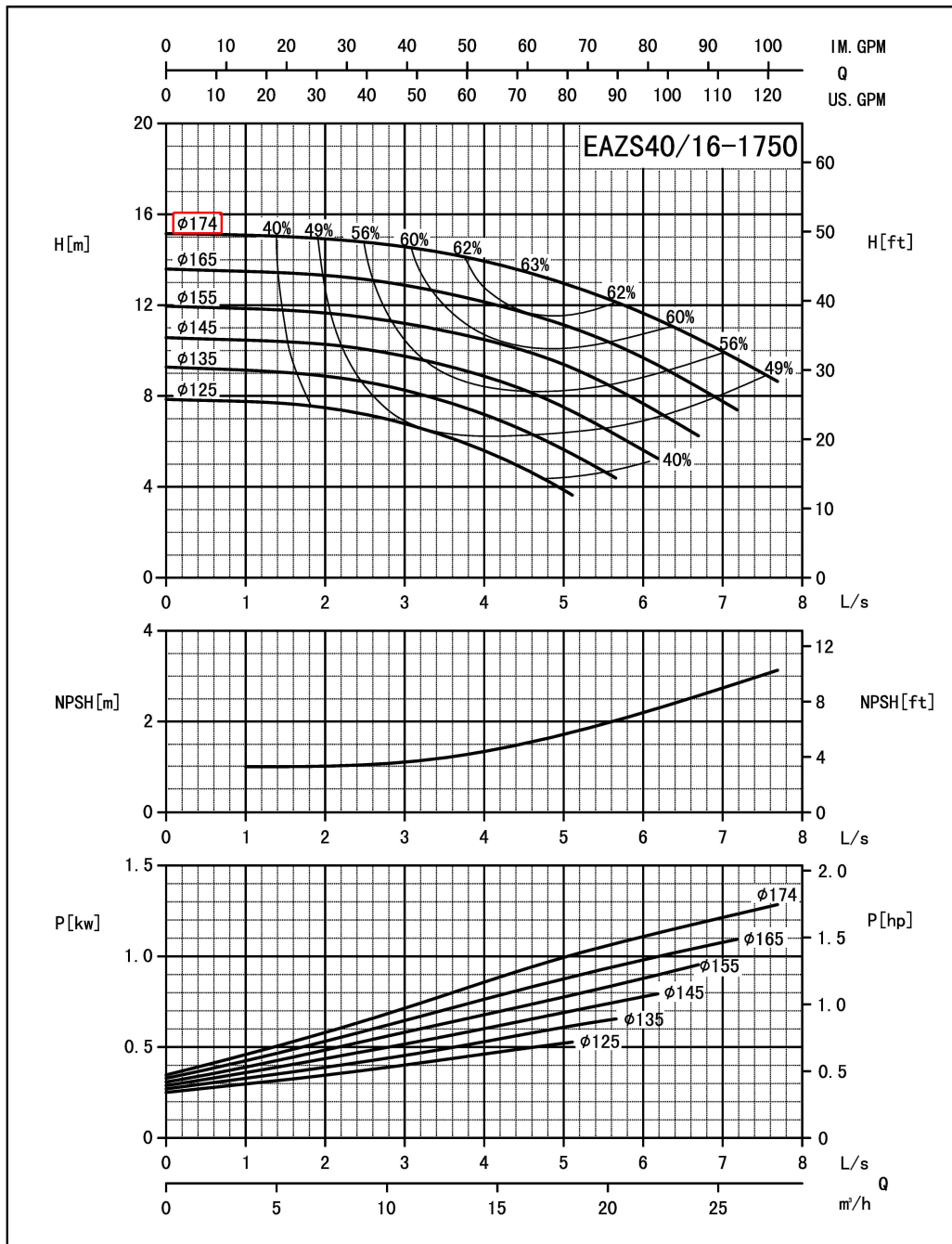
End Suction Pump - EAZS40/16-01104 (SS316)

Revision no. _____

Page:
 2

	Receiver	From
Company name		
Respons. Department		
Person in charge		
Phone number		
Fax no		
E-mail address		

Model	Capacity		Head ft	Speed r/min	Power (kw)		Motor (hp)	Efficiency %	Impeller Diam. inch	(NPSH) r ft
	m ³ /h	gpm			Shaft	Motor				
EAZS40/16-01104	8.3	36.3	42.5	1750	0.5	0.75	1	57	6.5	5.9
	13.8	60.6	38.2		0.7	1.1	1.5	62		6.6
	16.5	72.7	34.4		0.8	1.1	1.5	60		7.9



Performance to ISO9906 Grade 2 for clean cold water only

EF•A01/1406

Project	Project ID	Created by	Created on	Last update
---------	------------	------------	------------	-------------