



# Technical Data

## End Suction Pump - EAZS40/20-11002 (SS316)

Revision no.

 Page:  
1

Receiver

From

 Company name  
 Respons. Department  
 Person in charge  
 Phone number  
 Fax no  
 E-mail address

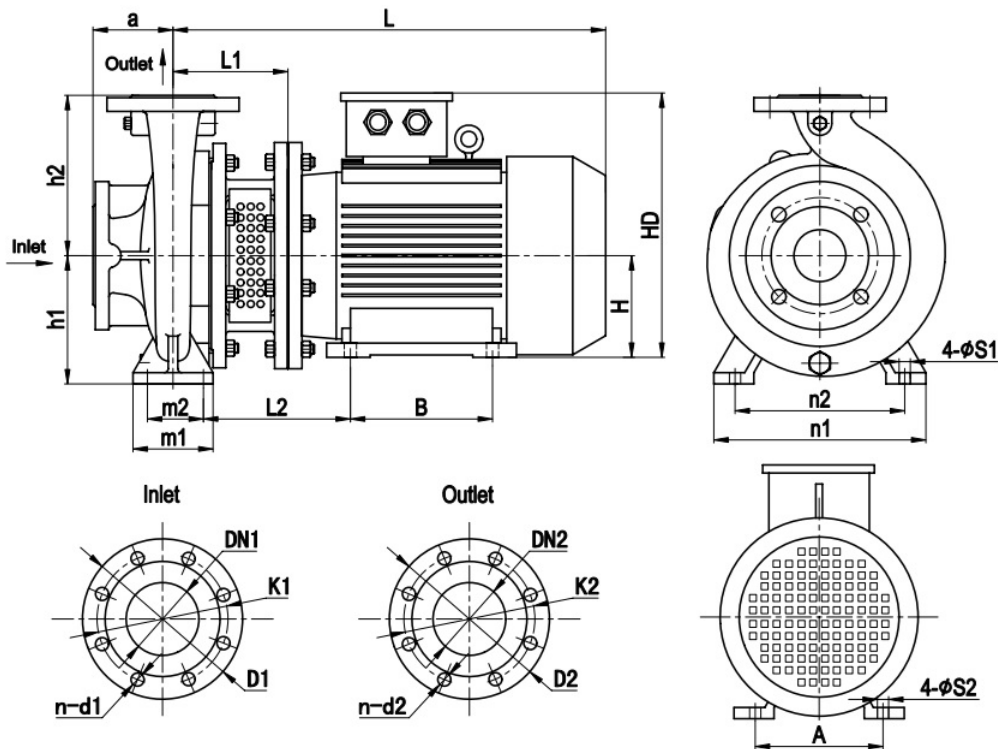

**Brand: Gol Pumps**  
**Model: EAZS40/20-11002 (SS316)**

Motor (B35)	
Model	hp
Y2-160M1-2	15

Weight (lb)		
Pump	Motor	Pump & motor
106	238	344

<b>Pump Material</b>	Stainless Steel 316/AISI 316
<b>Casing</b>	Stainless Steel 316/AISI 316
<b>Impeller</b>	Stainless Steel 316/AISI 316
<b>Shaft</b>	Stainless Steel 316/AISI 316
<b>Mechanical Seal</b>	Silicon Carbide

Dimensions:



ISO7005.2 DIN2501 PN16 GB/T17241.6 PN1.6									
DN1 / DN2	1.25	1.5	2	2.5	3	4	5	6	8
D1 / D2	5.51	5.91	6.50	7.28	7.87	8.66	9.84	11.22	13.39
K1 / K2	3.94	4.33	4.92	5.71	6.30	7.09	8.27	9.45	11.61
n-d1 / n-d2	4-Ø18	4-Ø18	4-Ø18	4-Ø18	8-Ø18	8-Ø18	8-Ø18	8-Ø22	12-Ø22

Inlet and outlet flange	
DN1	DN2
2.5	1.5

Pump installation size (inch)															
a	h1	h2	L1	L2	L	A	B	H	HD	m1	m2	n1	n2	S1	S2
3.9	6.3	7.1	8.6	11.5	28.5	10	8.3	6.3	16.5	3.9	2.8	10.4	8.3	0.6	0.6

Project

Project ID

Created by

Created on

Last update



# Performance Curves

## End Suction Pump - EAZS40/20-11002 (SS316)

Revision no. \_\_\_\_\_

Page: 2

Receiver \_\_\_\_\_

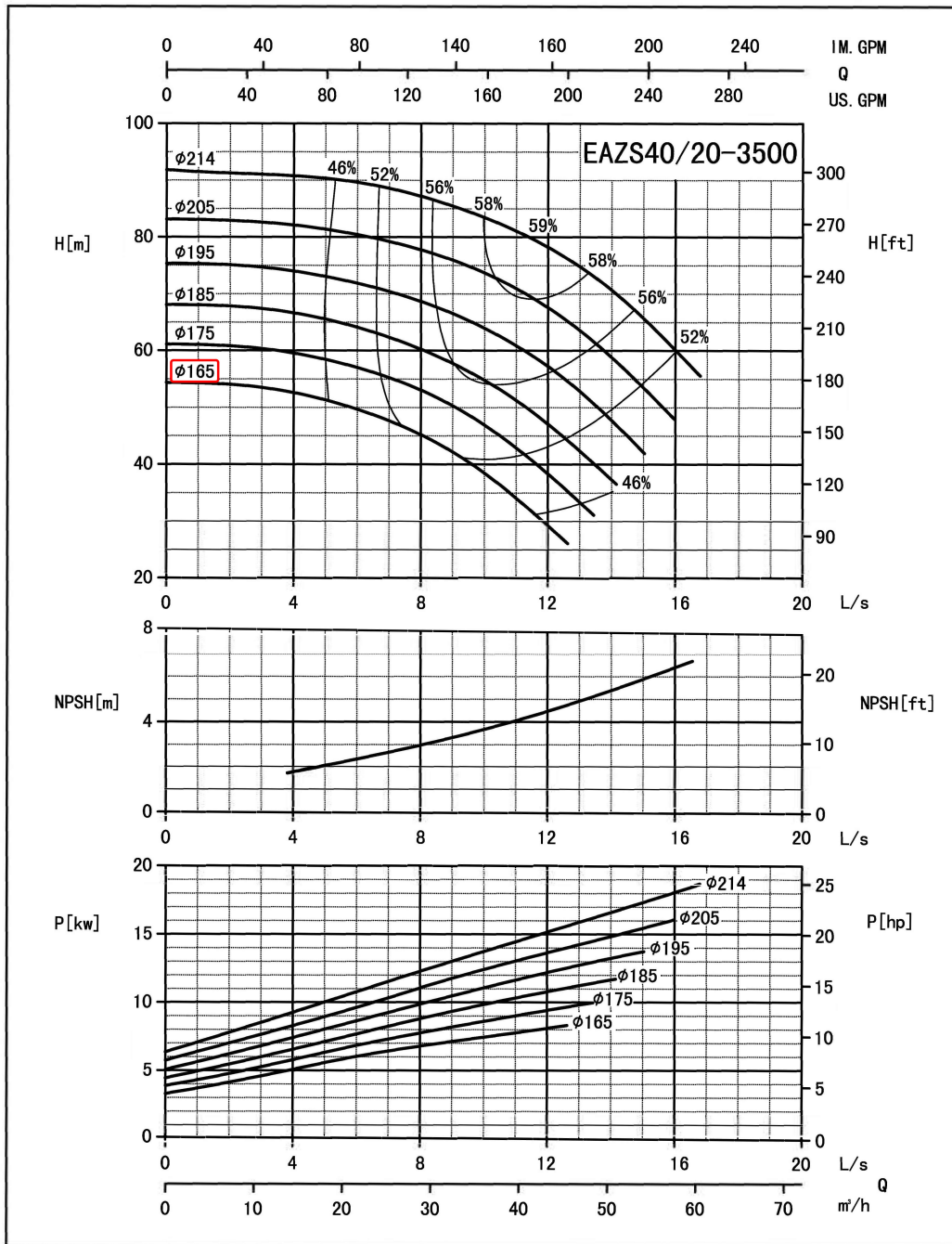
From \_\_\_\_\_

Company name \_\_\_\_\_  
 Respons. Department \_\_\_\_\_  
 Person in charge \_\_\_\_\_  
 Phone number \_\_\_\_\_  
 Fax no \_\_\_\_\_  
 E-mail address \_\_\_\_\_

\_\_\_\_\_

\_\_\_\_\_

Model	Capacity		Head ft	Speed r/min	Power (kw)		Motor (hp)	Efficiency %	Impeller Diam. inch	(NPSH) r ft
	m <sup>3</sup> /h	gpm			Shaft	Motor				
EAZS40/20-11002	16.7	73.7	169.4	3500	5.3	7.5	15	44.5	6.5	5.9
	27.9	122.9	150.5		6.7	11	15	52		6.6
	33.5	147.4	134.8		7.3	11	15	51.5		8.9



Performance to ISO9906 Grade 2 for clean cold water only

EF-A01/1406

Project _____	Project ID _____	Created by _____	Created on _____	Last update _____
---------------	------------------	------------------	------------------	-------------------