



# Technical Data

## End Suction Pump - EAZS50/20-18502

Revision no. \_\_\_\_\_

Page: 1

	Receiver	From
Company name		
Respons. Department		
Person in charge		
Phone number		
Fax no		
E-mail address		

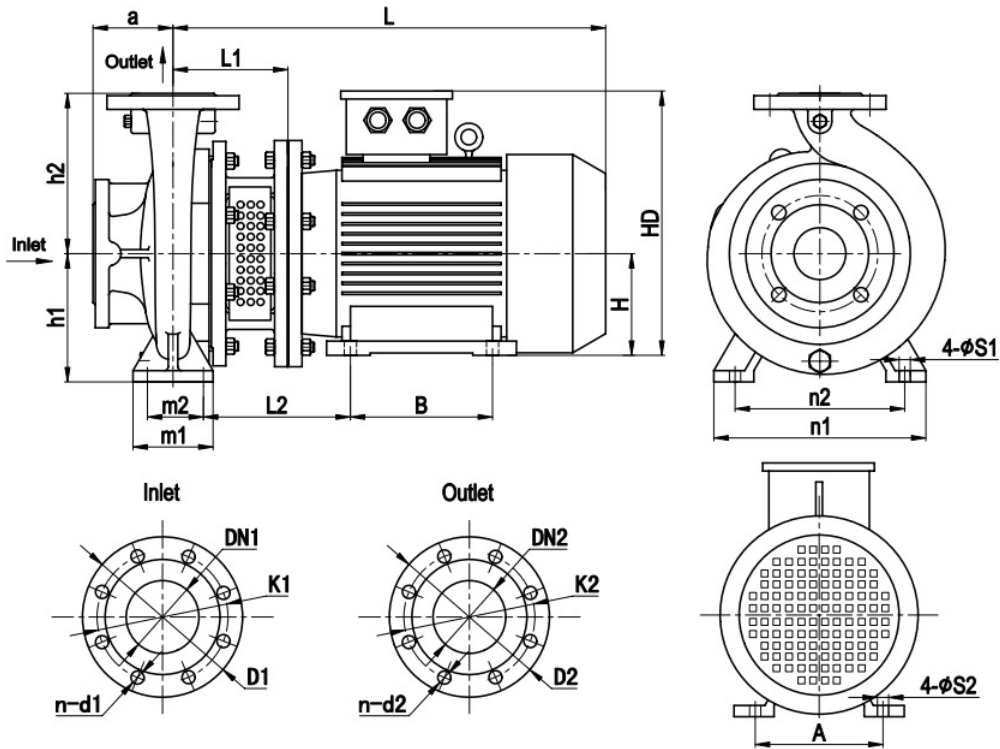


**Brand: Gol Pumps**  
**Model: EAZS50/20-18502**

Motor (B35)	
Model	hp
Y2-160L-2	25

Weight (lb)		
Pump	Motor	Pump & motor
117	293	408

**Dimensions:**



ISO7005.2 DIN2501 PN16 GB/T17241.6 PN1.6									
DN1 / DN2	1.25	1.5	2	2.5	3	4	5	6	8
D1 / D2	5.51	5.91	6.50	7.28	7.87	8.66	9.84	11.22	13.39
K1 / K2	3.94	4.33	4.92	5.71	6.30	7.09	8.27	9.45	11.61
n-d1 / n-d2	4-Ø18	4-Ø18	4-Ø18	4-Ø18	8-Ø18	8-Ø18	8-Ø18	8-Ø22	12-Ø22

Inlet and outlet flange	
DN1	DN2
2.5	2

Pump installation size (inch)															
a	h1	h2	L1	L2	L	A	B	H	HD	m1	m2	n1	n2	S1	S2
3.9	6.3	7.9	8.7	11.5	30.8	10	10	6.3	16.5	3.9	2.8	10.4	8.3	0.6	0.6

Project	Project ID	Created by	Created on	Last update
---------	------------	------------	------------	-------------



# Performance Curves

## End Suction Pump - EAZS50/20-18502

Revision no.

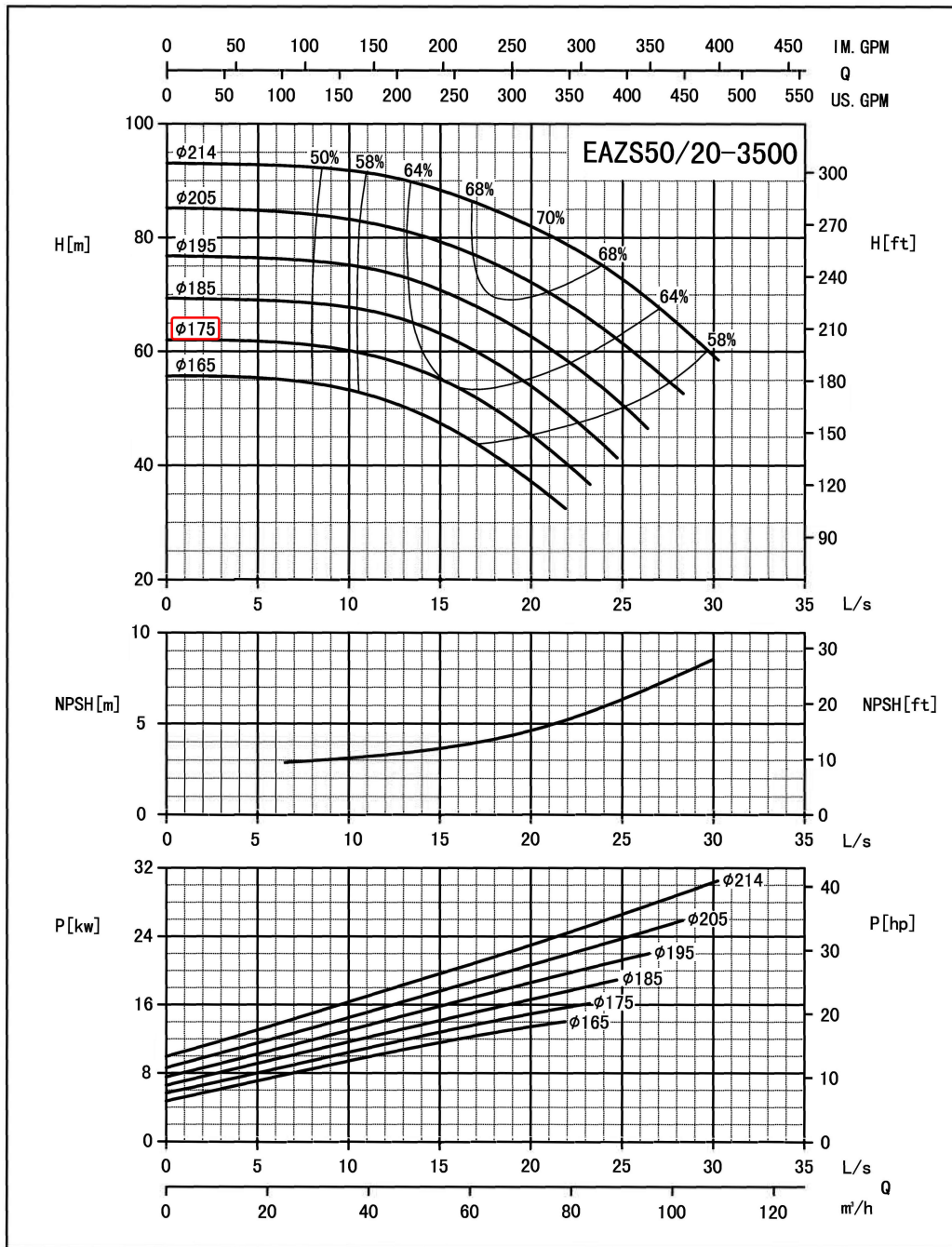
 Page:  
2

Receiver

From

 Company name  
 Respons. Department  
 Person in charge  
 Phone number  
 Fax no  
 E-mail address

Model	Capacity		Head ft	Speed r/min	Power (kw)		Motor (hp)	Efficiency %	Impeller Diam. inch	(NPSH) r ft
	m <sup>3</sup> /h	gpm			Shaft	Motor				
EAZS50/20-18502	35.5	156.5	197.4	3500	10.3	15	20	56.5	6.9	7.2
	59.2	260.8	173		13.3	15	20	64		10.5
	71.1	312.9	150.1		15.1	18.5	25	58.5		13.1



Performance to ISO9906 Grade 2 for clean cold water only

EF-A01/1406

Project

Project ID

Created by

Created on

Last update