



Technical Data

End Suction Pump - EAZS50/20-30002

Revision no. _____

Page: 1

	Receiver	From
Company name		
Respons. Department		
Person in charge		
Phone number		
Fax no		
E-mail address		

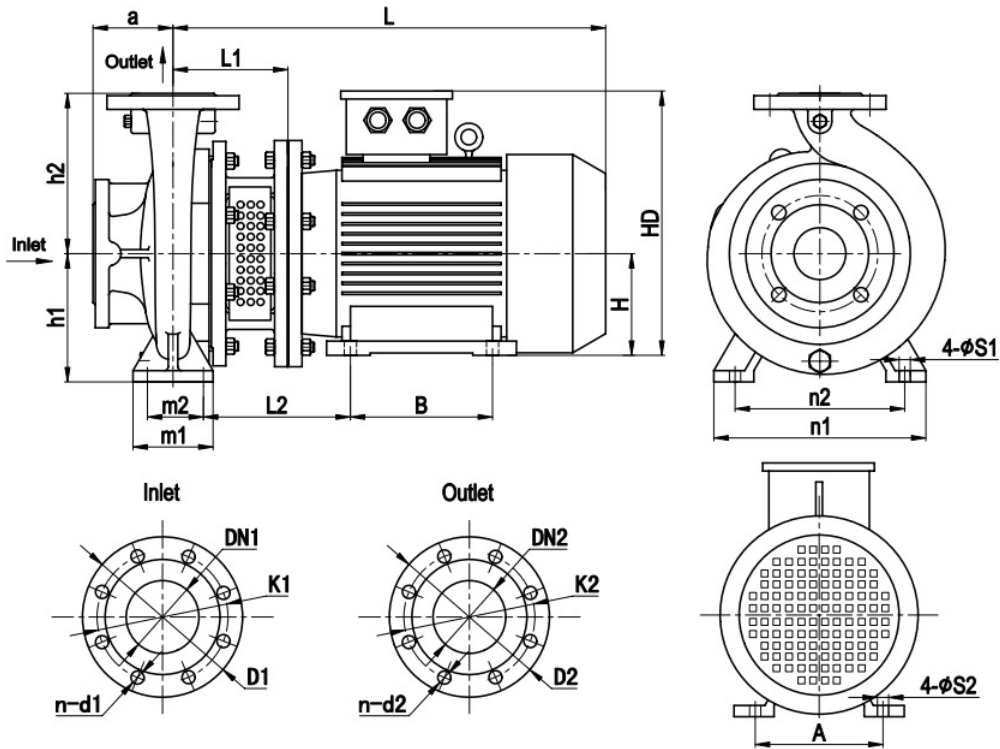


Brand: Gol Pumps
Model: EAZS50/20-30002

Motor (B35)	
Model	hp
Y2-200L1-2	40

Weight (lb)		
Pump	Motor	Pump & motor
130	494	626

Dimensions:



ISO7005.2 DIN2501 PN16 GB/T17241.6 PN1.6									
DN1 / DN2	1.25	1.5	2	2.5	3	4	5	6	8
D1 / D2	5.51	5.91	6.50	7.28	7.87	8.66	9.84	11.22	13.39
K1 / K2	3.94	4.33	4.92	5.71	6.30	7.09	8.27	9.45	11.61
n-d1 / n-d2	4-Ø18	4-Ø18	4-Ø18	4-Ø18	8-Ø18	8-Ø18	8-Ø18	8-Ø22	12-Ø22

Inlet and outlet flange	
DN1	DN2
2.5	2

Pump installation size (inch)															
a	h1	h2	L1	L2	L	A	B	H	HD	m1	m2	n1	n2	S1	S2
3.9	6.3	7.9	8.9	12.6	34.8	12.5	12	7.9	19.9	3.9	2.8	10.4	8.3	0.6	0.7

Project	Project ID	Created by	Created on	Last update
---------	------------	------------	------------	-------------



Performance Curves

End Suction Pump - EAZS50/20-30002

Revision no.

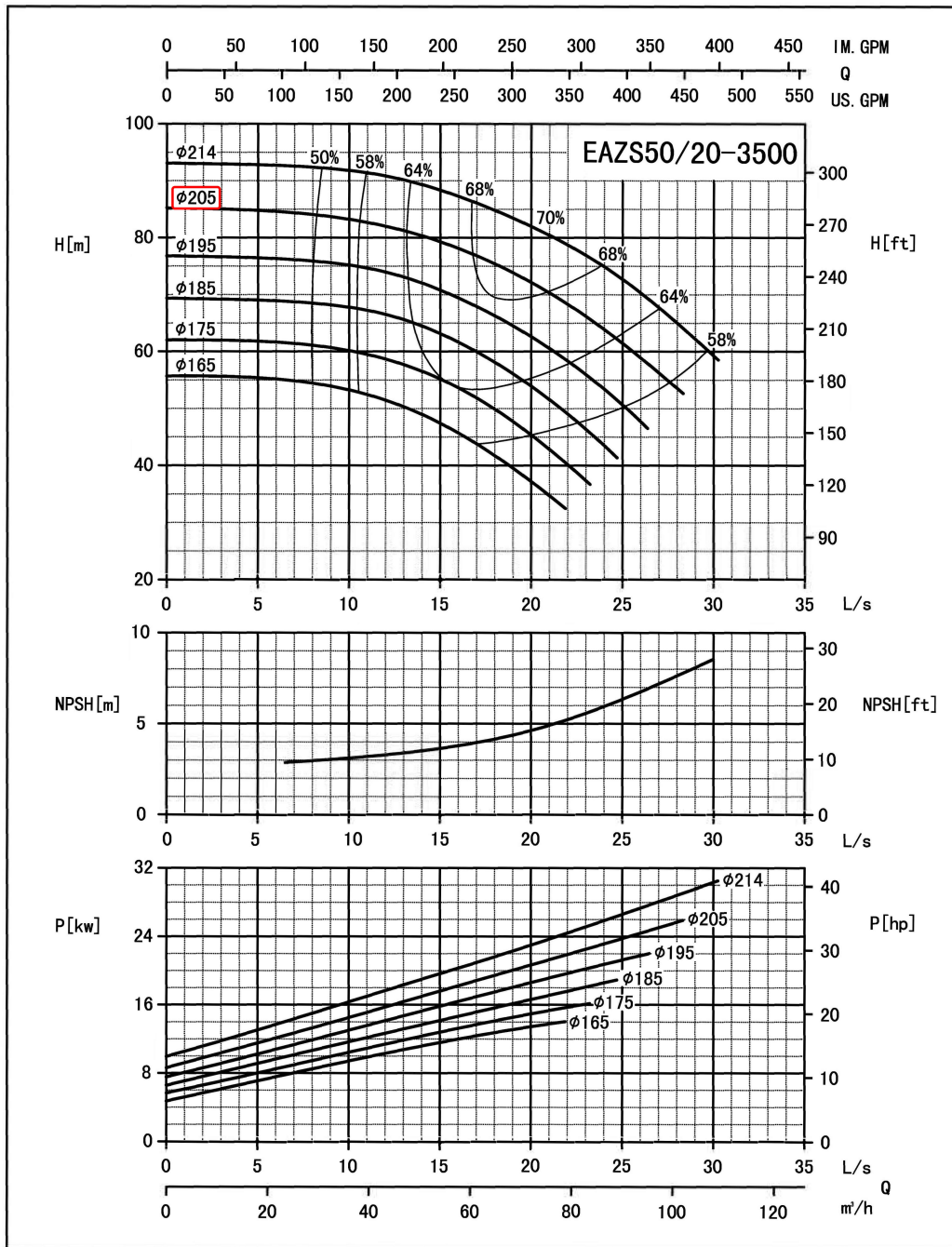
 Page:
2

Receiver

From

 Company name
 Respons. Department
 Person in charge
 Phone number
 Fax no
 E-mail address

Model	Capacity		Head ft	Speed r/min	Power (kw)		Motor (hp)	Efficiency %	Impeller Diam. inch	(NPSH) r ft
	m ³ /h	gpm			Shaft	Motor				
EAZS50/20-30002	41.6	183.3	269.1	3500	15.5	18.5	25	60	8.1	7.2
	69.4	305.5	240.4		20.3	30	40	68.3		10.5
	83.3	366.6	213.6		22.5	30	40	65.5		13.1



Performance to ISO9906 Grade 2 for clean cold water only

EF-A01/1406

Project

Project ID

Created by

Created on

Last update