



Technical Data

End Suction Pump - EAZS65/26-55002 (SS316)

Revision no.

Page:

1

Receiver

From

 Company name
 Respons. Department
 Person in charge
 Phone number
 Fax no
 E-mail address

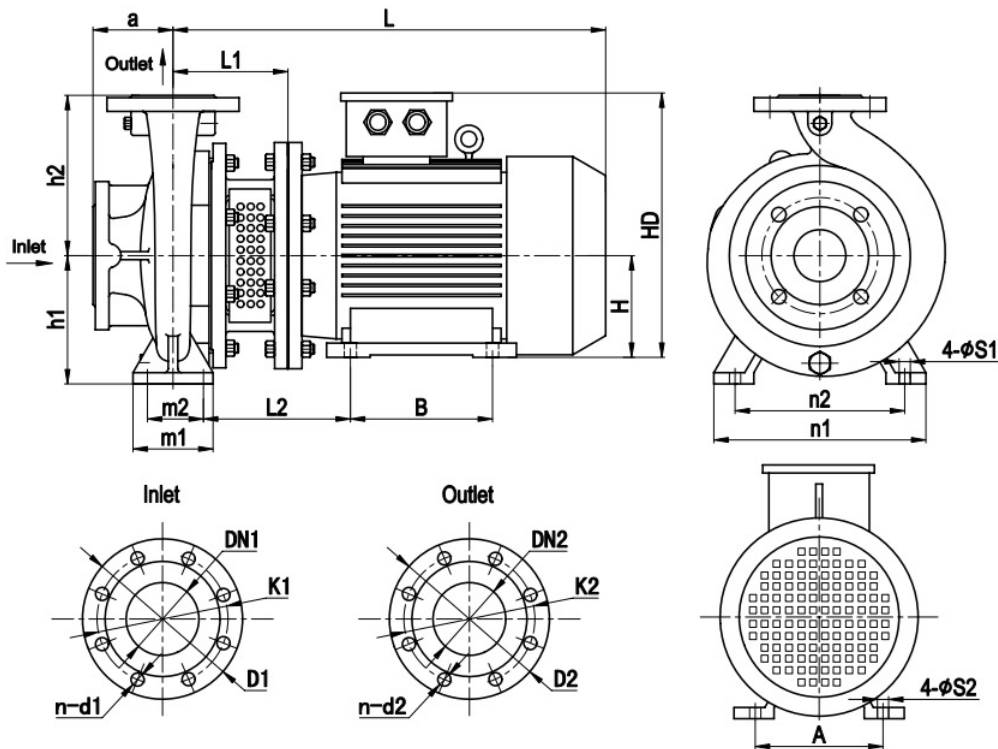

Brand: Gol Pumps
Model: EAZS65/26-55002 (SS316)

Motor (B35)	
Model	hp
Y2-250M-2	75

Weight (lb)		
Pump	Motor	Pump & motor
216	822	1038

Pump Material	Stainless Steel 316/AISI 316
Casing	Stainless Steel 316/AISI 316
Impeller	Stainless Steel 316/AISI 316
Shaft	Stainless Steel 316/AISI 316
Mechanical Seal	Silicon Carbide

Dimensions:



ISO7005.2 DIN2501 PN16 GB/T17241.6 PN1.6									
DN1 / DN2	1.25	1.5	2	2.5	3	4	5	6	8
D1 / D2	5.51	5.91	6.50	7.28	7.87	8.66	9.84	11.22	13.39
K1 / K2	3.94	4.33	4.92	5.71	6.30	7.09	8.27	9.45	11.61
n-d1 / n-d2	4-Ø18	4-Ø18	4-Ø18	4-Ø18	8-Ø18	8-Ø18	8-Ø18	8-Ø22	12-Ø22

Inlet and outlet flange	
DN1	DN2
3	2.5

Pump installation size (inch)															
a	h1	h2	L1	L2	L	A	B	H	HD	m1	m2	n1	n2	S1	S2
3.9	7.9	9.8	10.7	15	41	16	13.7	9.8	24.2	6.3	4.7	14.2	11	0.7	0.9

Project

Project ID

Created by

Created on

Last update



Performance Curves

End Suction Pump - EAZS65/26-55002 (SS316)

Revision no. _____

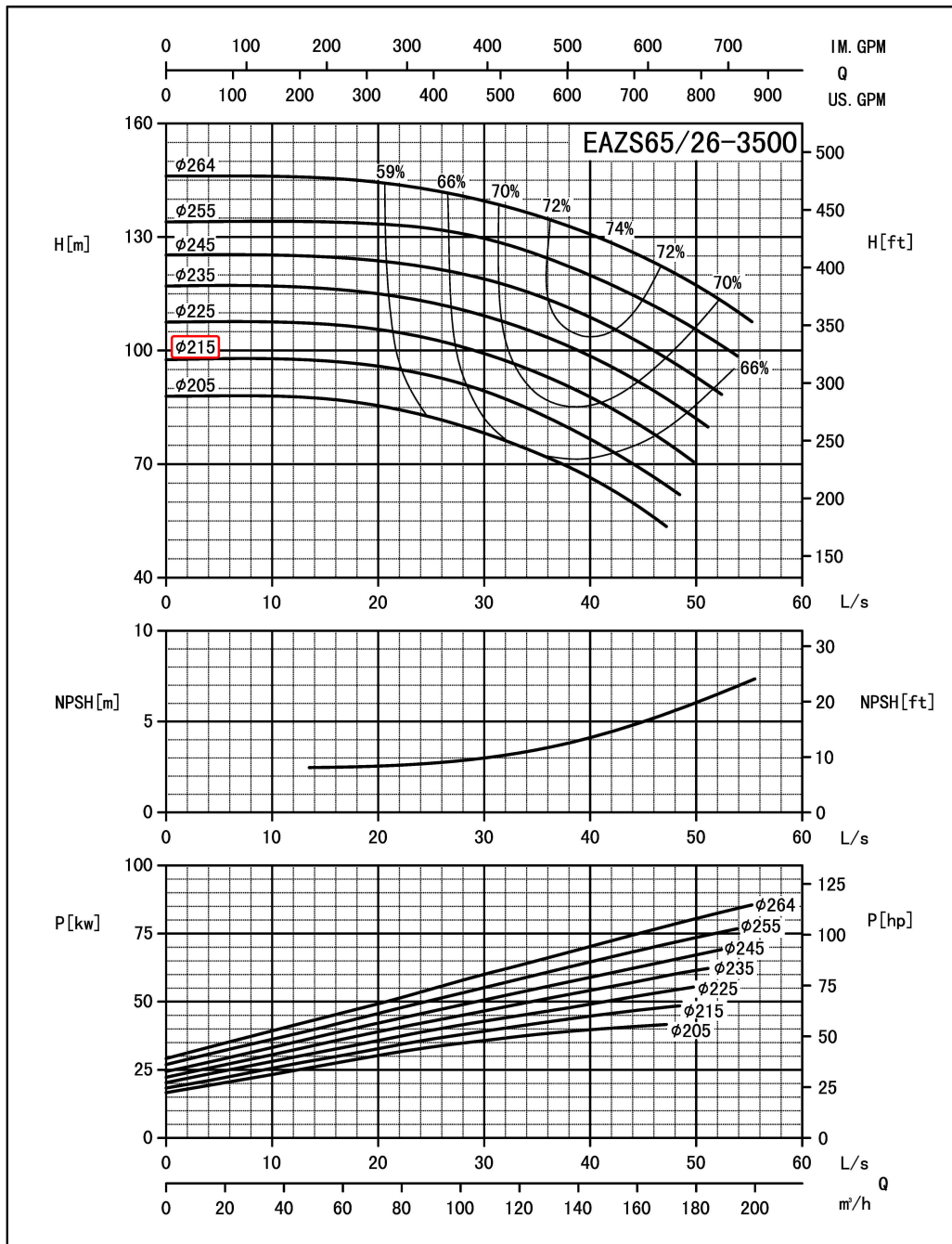
Page:
 2

Receiver _____

From _____

Company name _____
 Respons. Department _____
 Person in charge _____
 Phone number _____
 Fax no _____
 E-mail address _____

Model	Capacity		Head ft	Speed r/min	Power (kw)		Motor (hp)	Efficiency %	Impeller Diam. inch	(NPSH) r ft
	m ³ /h	gpm			Shaft	Motor				
EAZS65/26-55002	70.8	311.6	316.4	3500	32.3	37	50	57.5	8.5	7.9
	117.9	519.3	283.6		40.5	55	75	68.5		13.8
	141.5	623.1	242.8		43.9	55	75	65		19



Performance to ISO9906 Grade 2 for clean cold water only

EF-A01/1406

Project _____	Project ID _____	Created by _____	Created on _____	Last update _____
---------------	------------------	------------------	------------------	-------------------