



# Technical Data

## End Suction Pump - EAZS65/26-55002

Revision no. \_\_\_\_\_

Page: 1

|                     |          |      |
|---------------------|----------|------|
|                     | Receiver | From |
| Company name        |          |      |
| Respons. Department |          |      |
| Person in charge    |          |      |
| Phone number        |          |      |
| Fax no              |          |      |
| E-mail address      |          |      |

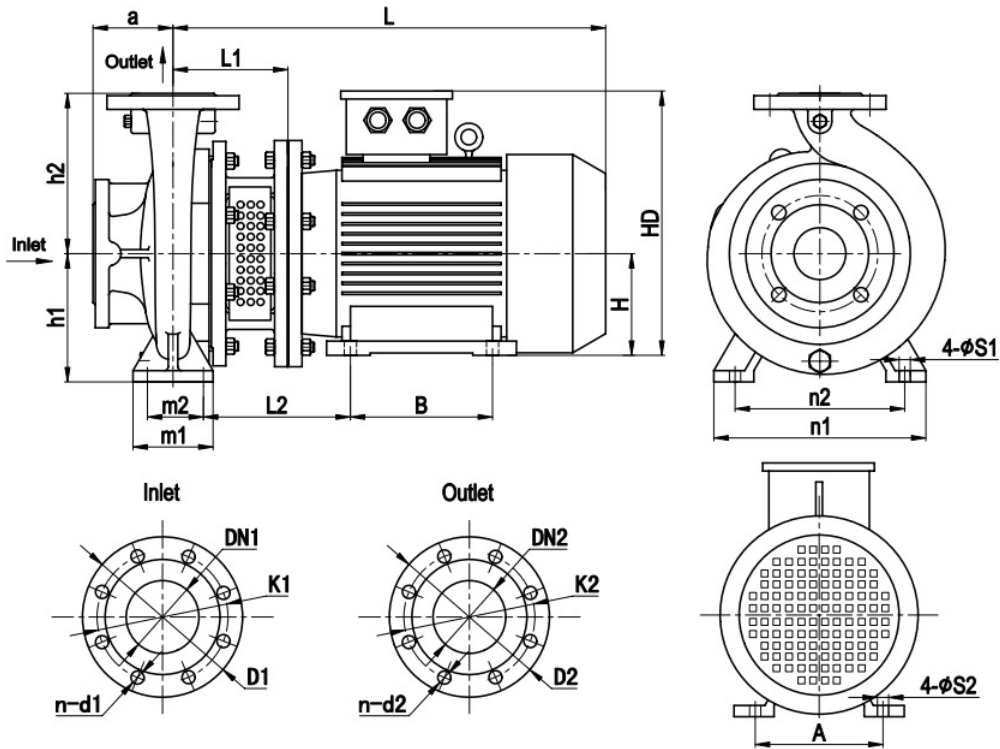


**Brand: Gol Pumps**  
**Model: EAZS65/26-55002**

| Motor (B35) |    |
|-------------|----|
| Model       | hp |
| Y2-250M-2   | 75 |

| Weight (lb) |       |              |
|-------------|-------|--------------|
| Pump        | Motor | Pump & motor |
| 216         | 822   | 1038         |

**Dimensions:**



| ISO7005.2 DIN2501 PN16 GB/T17241.6 PN1.6 |       |       |       |       |       |       |       |       |        |
|--|-------|-------|-------|-------|-------|-------|-------|-------|--------|
| DN1 / DN2                                | 1.25  | 1.5   | 2     | 2.5   | 3     | 4     | 5     | 6     | 8      |
| D1 / D2                                  | 5.51  | 5.91  | 6.50  | 7.28  | 7.87  | 8.66  | 9.84  | 11.22 | 13.39  |
| K1 / K2                                  | 3.94  | 4.33  | 4.92  | 5.71  | 6.30  | 7.09  | 8.27  | 9.45  | 11.61  |
| n-d1 / n-d2                              | 4-Ø18 | 4-Ø18 | 4-Ø18 | 4-Ø18 | 8-Ø18 | 8-Ø18 | 8-Ø18 | 8-Ø22 | 12-Ø22 |

| Inlet and outlet flange |     |
|-------------------------|-----|
| DN1                     | DN2 |
| 3                       | 2.5 |

| Pump installation size (inch) |     |     |      |    |    |    |      |     |      |     |     |      |    |     |     |
|-------------------------------|-----|-----|------|----|----|----|------|-----|------|-----|-----|------|----|-----|-----|
| a                             | h1  | h2  | L1   | L2 | L  | A  | B    | H   | HD   | m1  | m2  | n1   | n2 | S1  | S2  |
| 3.9                           | 7.9 | 9.8 | 10.7 | 15 | 41 | 16 | 13.7 | 9.8 | 24.2 | 6.3 | 4.7 | 14.2 | 11 | 0.7 | 0.9 |

|         |            |            |            |             |
|---------|------------|------------|------------|-------------|
| Project | Project ID | Created by | Created on | Last update |
|---------|------------|------------|------------|-------------|



# Performance Curves

## End Suction Pump - EAZS65/26-55002

Revision no. \_\_\_\_\_  
 \_\_\_\_\_

Page:  
 2

Receiver \_\_\_\_\_

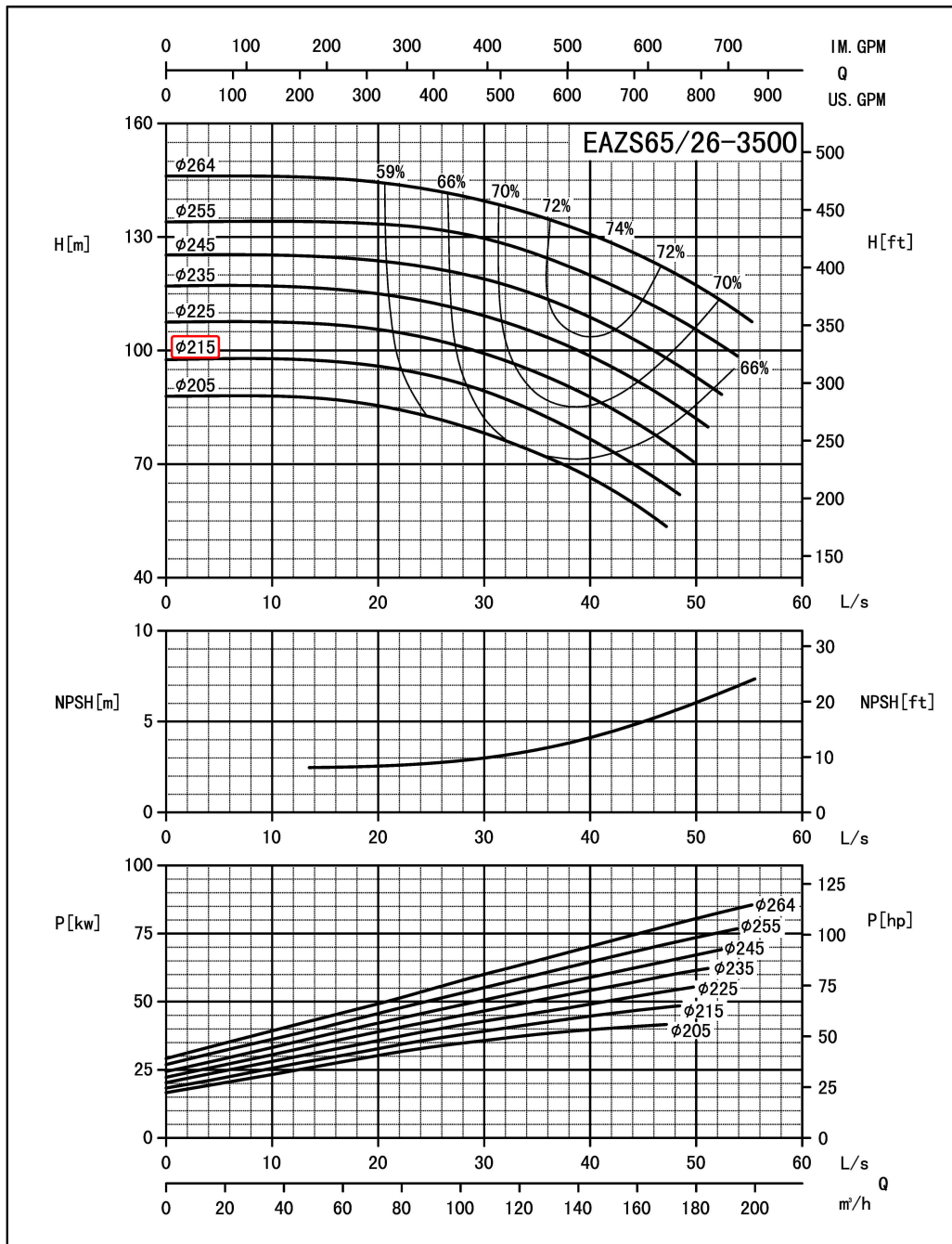
From \_\_\_\_\_

Company name \_\_\_\_\_  
 Respons. Department \_\_\_\_\_  
 Person in charge \_\_\_\_\_  
 Phone number \_\_\_\_\_  
 Fax no \_\_\_\_\_  
 E-mail address \_\_\_\_\_

\_\_\_\_\_

\_\_\_\_\_

| Model           | Capacity          |       | Head<br>ft | Speed<br>r/min | Power (kw) |       | Motor (hp) | Efficiency<br>% | Impeller Diam.<br>inch | (NPSH) r<br>ft |
|-----------------|-------------------|-------|------------|----------------|------------|-------|------------|-----------------|------------------------|----------------|
|                 | m <sup>3</sup> /h | gpm   |            |                | Shaft      | Motor |            |                 |                        |                |
| EAZS65/26-55002 | 70.8              | 311.6 | 316.4      | 3500           | 32.3       | 37    | 50         | 57.5            | 8.5                    | 7.9            |
|                 | 117.9             | 519.3 | 283.6      |                | 40.5       | 55    | 75         | 68.5            |                        | 13.8           |
|                 | 141.5             | 623.1 | 242.8      |                | 43.9       | 55    | 75         | 65              |                        | 19             |



Performance to ISO9906 Grade 2 for clean cold water only

EF•A01/1406

|               |                  |                  |                  |                   |
|---------------|------------------|------------------|------------------|-------------------|
| Project _____ | Project ID _____ | Created by _____ | Created on _____ | Last update _____ |
|---------------|------------------|------------------|------------------|-------------------|