



Technical Data

End Suction Pump - EAZS80/16-05504 (SS316)

Revision no.

 Page:
1

Receiver

From

 Company name
 Respons. Department
 Person in charge
 Phone number
 Fax no
 E-mail address

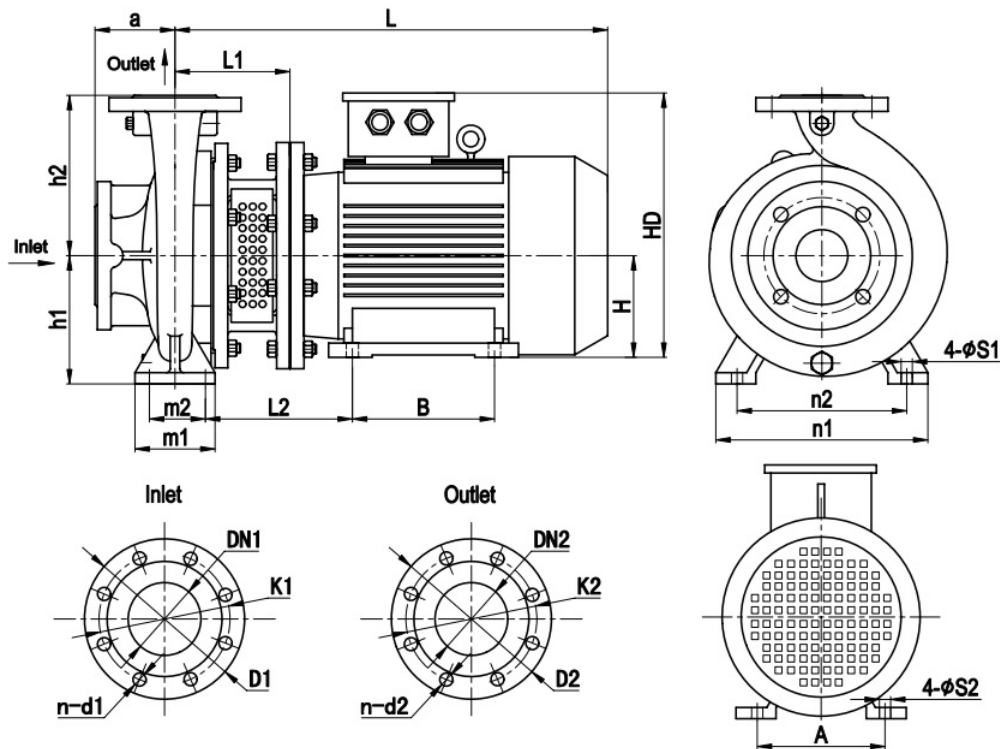

Brand: Gol Pumps
Model: EAZS80/16-05504 (SS316)

Motor (B35)	
Model	hp
Y2-132S-4	7.5

Weight (lb)		
Pump	Motor	Pump & motor
123	143	267

Pump Material	Stainless Steel 316/AISI 316
Casing	Stainless Steel 316/AISI 316
Impeller	Stainless Steel 316/AISI 316
Shaft	Stainless Steel 316/AISI 316
Mechanical Seal	Silicon Carbide

Dimensions:



	ISO7005.2 DIN2501 PN16 GB/T17241.6 PN1.6									
DN1 / DN2	1.25	1.5	2	2.5	3	4	5	6	8	
D1 / D2	5.51	5.91	6.50	7.28	7.87	8.66	9.84	11.22	13.39	
K1 / K2	3.94	4.33	4.92	5.71	6.30	7.09	8.27	9.45	11.61	
n-d1 / n-d2	4-Ø18	4-Ø18	4-Ø18	4-Ø18	8-Ø18	8-Ø18	8-Ø18	8-Ø22	12-Ø22	

Inlet and outlet flange	
DN1	DN2
4	3

Pump installation size (inch)															
a	h1	h2	L1	L2	L	A	B	H	HD	m1	m2	n1	n2	S1	S2
4.92	7.09	8.86	7.36	9.00	22.72	8.50	5.51	5.20	13.58	4.92	3.74	12.60	9.84	0.55	0.47

Project

Project ID

Created by

Created on

Last update



Performance Curves

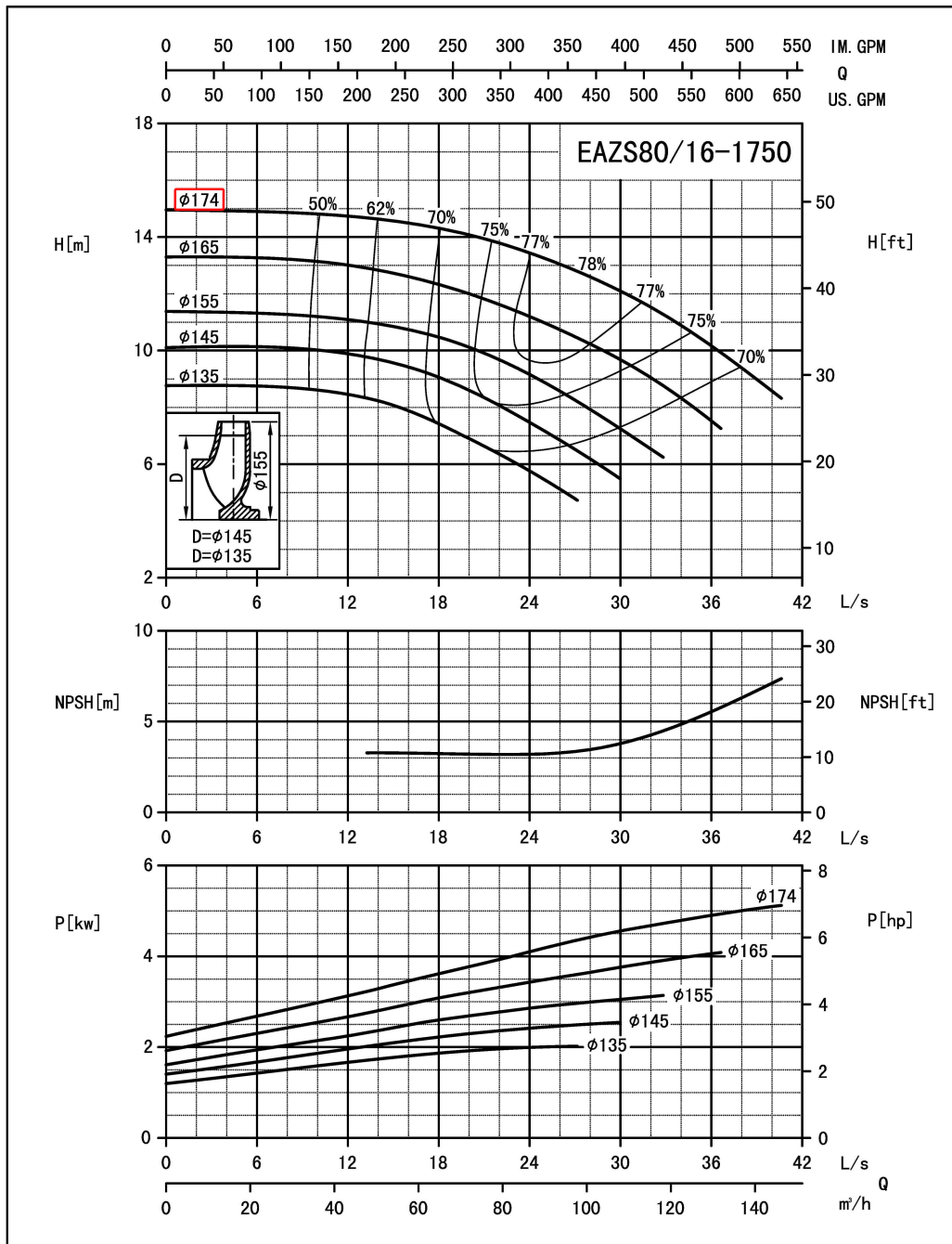
End Suction Pump - EAZS80/16-05504 (SS316)

Revision no. _____

Page: 2

	Receiver	From
Company name		
Respons. Department		
Person in charge		
Phone number		
Fax no		
E-mail address		

Model	Capacity		Head ft	Speed r/min	Power (kw)		Motor (hp)	Efficiency %	Impeller Diam. inch	(NPSH) r ft
	m ³ /h	gpm			Shaft	Motor				
EAZS80/16-05504	48	211.3	47.3	1750	2.9	4	5	66	6.9	7.6
	80	352.2	42.1		3.6	5.5	7.5	78		8.2
	96	422.6	37.8		3.9	5.5	7.5	77		12.1



Performance to ISO9906 Grade 2 for clean cold water only

EF•A02/1406

Project	Project ID	Created by	Created on	Last update
---------	------------	------------	------------	-------------