



# Technical Data

## End Suction Pump - EAZS80/16-30002 (SS316)

Revision no.

 Page:  
1

Receiver

From

 Company name  
 Respons. Department  
 Person in charge  
 Phone number  
 Fax no  
 E-mail address

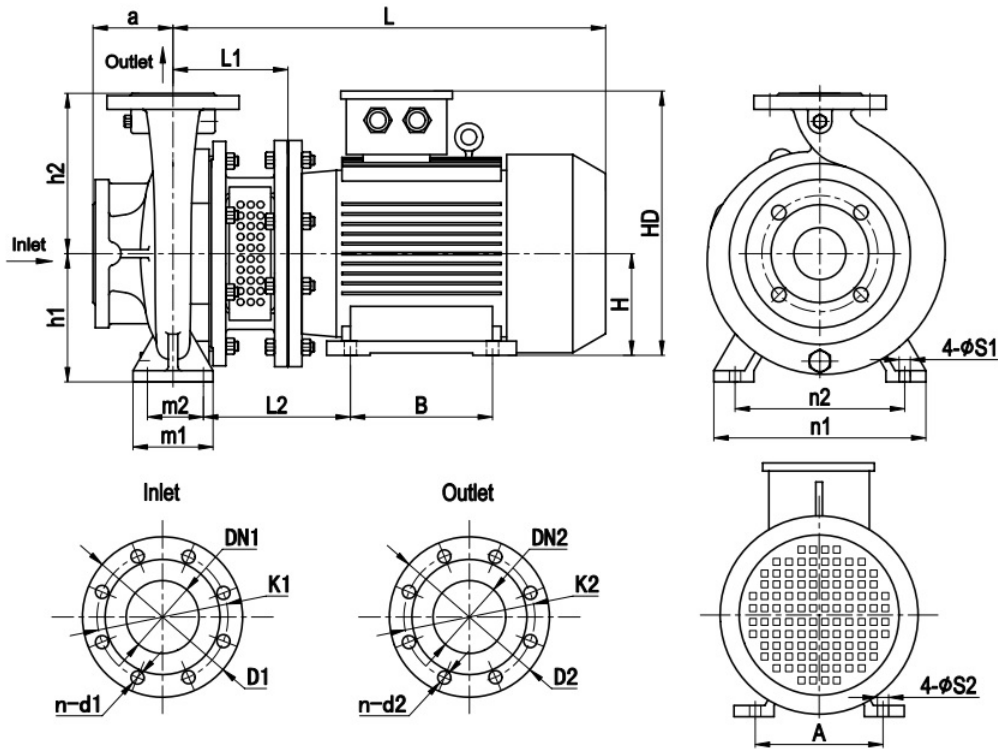

**Brand: Gol Pumps**  
**Model: EAZS80/16-30002 (SS316)**

Motor (B35)	
Model	hp
Y2-200L1-2	40

Weight (lb)		
Pump	Motor	Pump & motor
146	494	639

Pump Material	Stainless Steel 316/AISI 316
Casing	Stainless Steel 316/AISI 316
Impeller	Stainless Steel 316/AISI 316
Shaft	Stainless Steel 316/AISI 316
Mechanical Seal	Silicon Carbide

Dimensions:



ISO7005.2 DIN2501 PN16 GB/T17241.6 PN1.6									
DN1 / DN2	1.25	1.5	2	2.5	3	4	5	6	8
D1 / D2	5.51	5.91	6.50	7.28	7.87	8.66	9.84	11.22	13.39
K1 / K2	3.94	4.33	4.92	5.71	6.30	7.09	8.27	9.45	11.61
n-d1 / n-d2	4- $\phi$ 18	4- $\phi$ 18	4- $\phi$ 18	4- $\phi$ 18	8- $\phi$ 18	8- $\phi$ 18	8- $\phi$ 18	8- $\phi$ 22	12- $\phi$ 22

Inlet and outlet flange	
DN1	DN2
4	3

Pump installation size (inch)															
a	h1	h2	L1	L2	L	A	B	H	HD	m1	m2	n1	n2	S1	S2
4.9	7.1	8.9	8.7	12.1	34.7	12.5	12	7.9	19.9	4.9	3.7	12.6	9.8	0.6	0.7

Project

Project ID

Created by

Created on

Last update



# Performance Curves

## End Suction Pump - EAZ80/16-3002 (SS316)

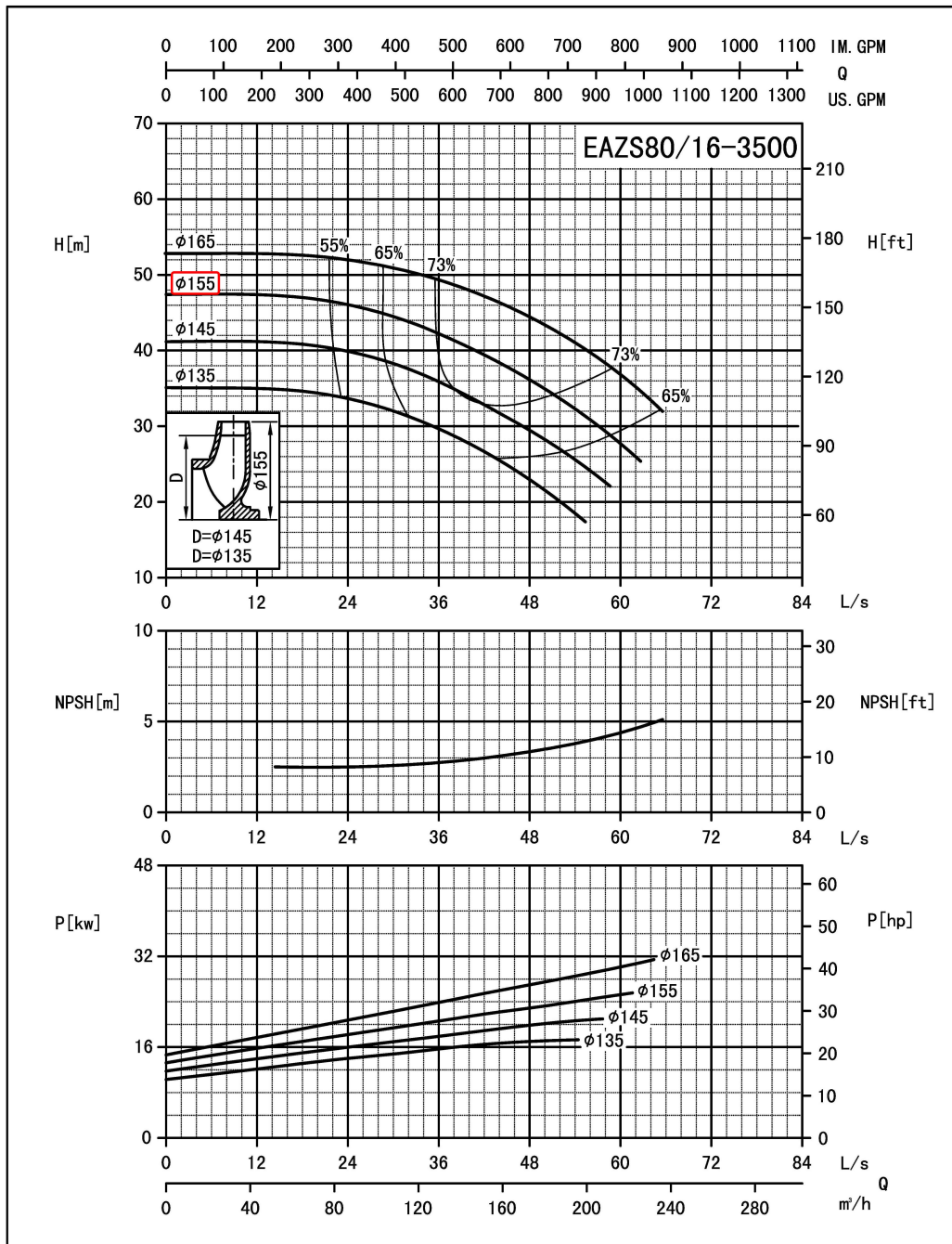
Revision no. \_\_\_\_\_  
 \_\_\_\_\_

Page: 2

Receiver	From

Company name \_\_\_\_\_  
 Respons. Department \_\_\_\_\_  
 Person in charge \_\_\_\_\_  
 Phone number \_\_\_\_\_  
 Fax no \_\_\_\_\_  
 E-mail address \_\_\_\_\_

Model	Capacity		Head ft	Speed r/min	Power (kw)		Motor (hp)	Efficiency %	Impeller Diam. inch	(NPSH) r ft
	m <sup>3</sup> /h	gpm			Shaft	Motor				
EAZ80/16-30002	104.5	460.1	146.7	3500	20.2	30	40	63	6.1	8.9
	174.2	766.8	118		23.1	30	40	74		12.5
	209	920.2	96.1		25.2	30	40	66		16.4



Performance to ISO9906 Grade 2 for clean cold water only

EF•A02/1406

Project	Project ID	Created by	Created on	Last update
---------	------------	------------	------------	-------------